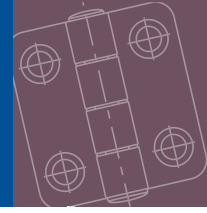


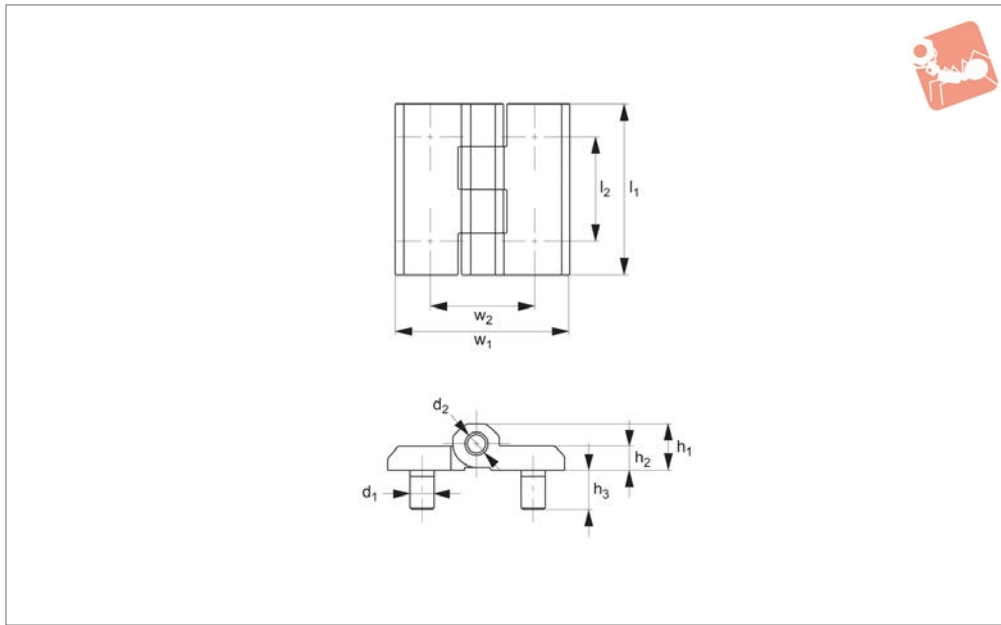


# Surface Mount - Leaf Hinges

integrated stud mount - zinc



## Hinges



### S1101

HINGES

#### Material

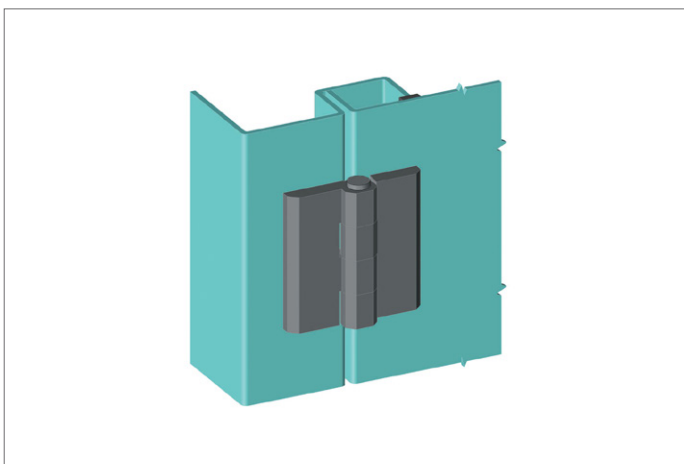
Body: die cast zinc, black powder coated.  
Pin: steel, nickel plated.

#### Technical Notes

For plain/flush mounted doors, as well as electrical panels and covers.

Opening angle 180°.

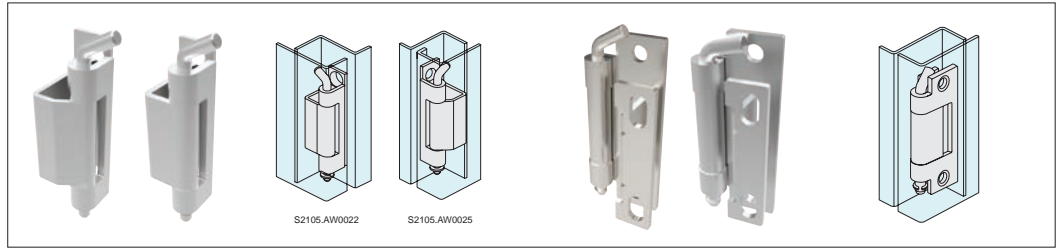
Order No.	Finish	Size	$h_1$	$h_2$	$h_3$	$l_1$	$l_2$	$w_1$	$w_2$	$d_1$	$d_2$	90° Angled stress	Axial load $F_x$ N max.	Axial stress kN	Radial load $F_x$ N max.	Radial stress kN
S1101.AW0040	Black Coated	40 x 40	9,0	5	10,0	40	25	40	25	M 5	4	1,85	1.2	0,9	1.0	1,7
S1101.AW0050	Black Coated	50 x 50	11,5	6	12,5	50	30	50	30	M 6	6	2,0	1.3	2,05	1.2	3,55
S1101.AW0057	Black Coated	50 x 70	11,5	6	12,5	50	30	76	56	M 6	6	2,00	1.2	1,5	11.2	3,00
S1101.AW0060	Black Coated	60 x 60	15,0	8	16,5	60	36	60	36	M 6	8	2,55	1.8	3,05	1.5	4,05
S1101.AW0612	Black Coated	60 x 120	15,0	8	16,5	60	36	120	88	M 8	8	1,5	1.2	1,5	1.12	4,5
S1101.AW0140	Chrome	40 x 40	9,0	5	10,0	40	25	40	25	M 5	4					
S1101.AW0150	Chrome	50 x 50	11,5	6	12,5	50	30	50	30	M 6	6					
S1101.AW0160	Chrome	60 x 60	15,0	8	16,5	60	36	60	36	M 8	8					



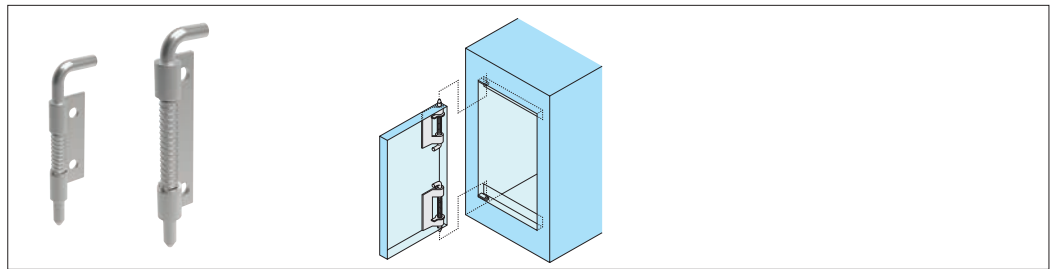


## Concealed hinges

For added security or a sleek enclosure design, concealed hinges offer the solution with mounting discreetly hidden away from view to avoid tampering.



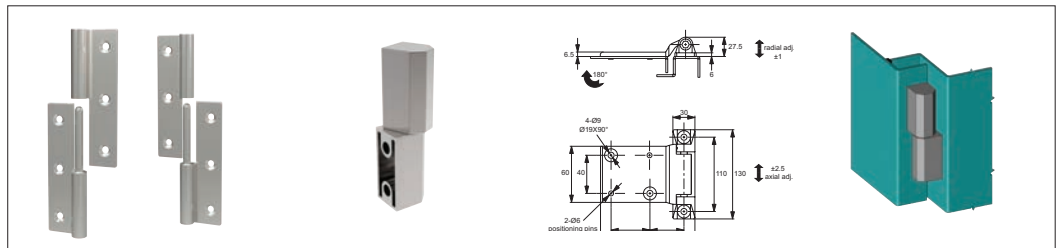
Concealed pivot hinges



End mount concealed pivot hinges

## Door removal hinges

Door removal or lift-off hinges simplify removal of covers and panels to ease access for maintenance and repair, available in a selection of materials.



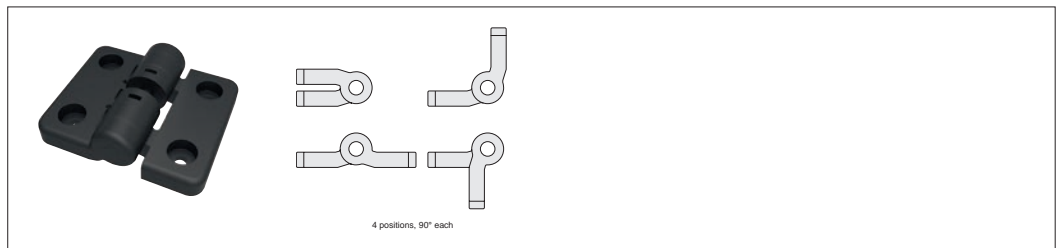
Lift off hinges

## Torque and positioning hinges

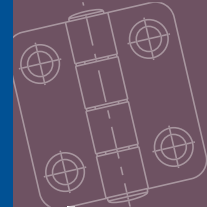
Torque and positioning hinges offer positive location of panels, screens and displays using constant friction for a firm hold.



Constant torque hinges



Detent positioning hinges



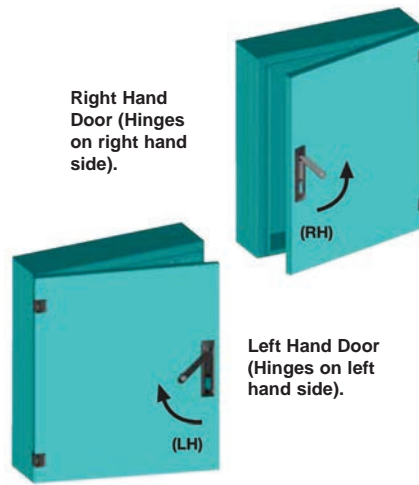
Wixroyd have a diverse range of hinges to suit most industrial applications in a wide range of materials and finishes.

Throughout our catalogue we refer to parts as being of a "Left" or "Right" type or hand. Which type you need, is most easily explained as follows;

Oriente your application so that when opened the door/panel comes towards you. With this orientation in mind, look to see on which side of the door/panel the hinges are mounted?

If the hinges are on the left side of the door/panel then you require "Left" type products. If the hinges are on the right side of the door/panel then you require "Right" type products.

The illustration on the right clearly indicates the layout and orientation of the door where a "left" or "right" product is used.

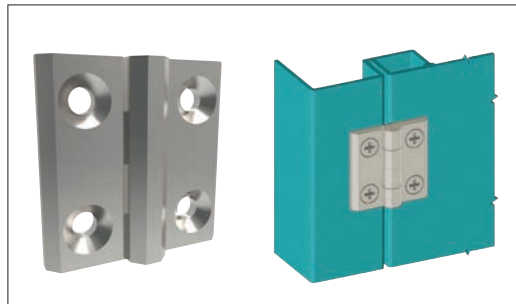


**Left or right type:  
Which do you need?**

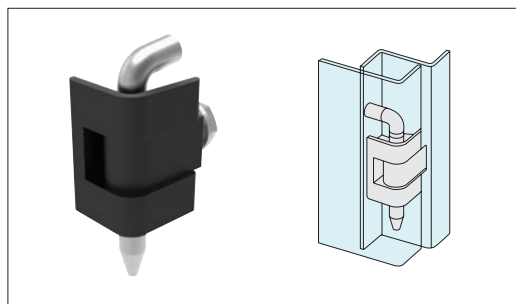
## Hinges

External or surface mount hinges have a wide range of application on electrical panels, sheet metal enclosures, generators and heating and venting applications.

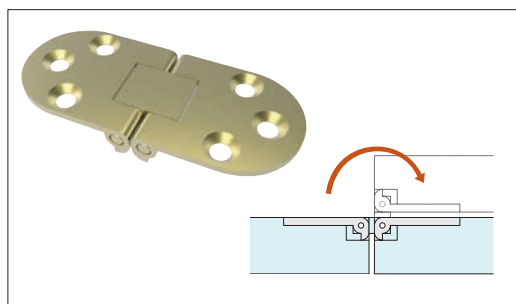
## External hinges



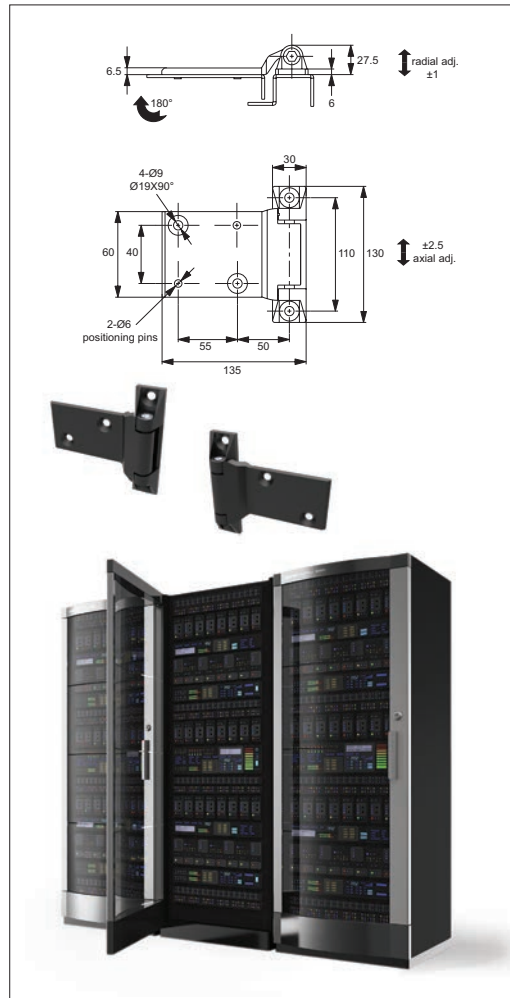
Surface mount hinges



Corner hinges



Flush mount hinges



Surface mount hinges

HINGES

ov-WS0050-A-T-WS2300-A-TH1200-wide-range-of-solutions-b-rnh - Updated - 01-11-2022