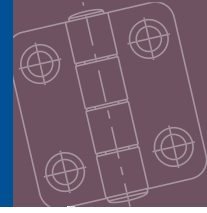


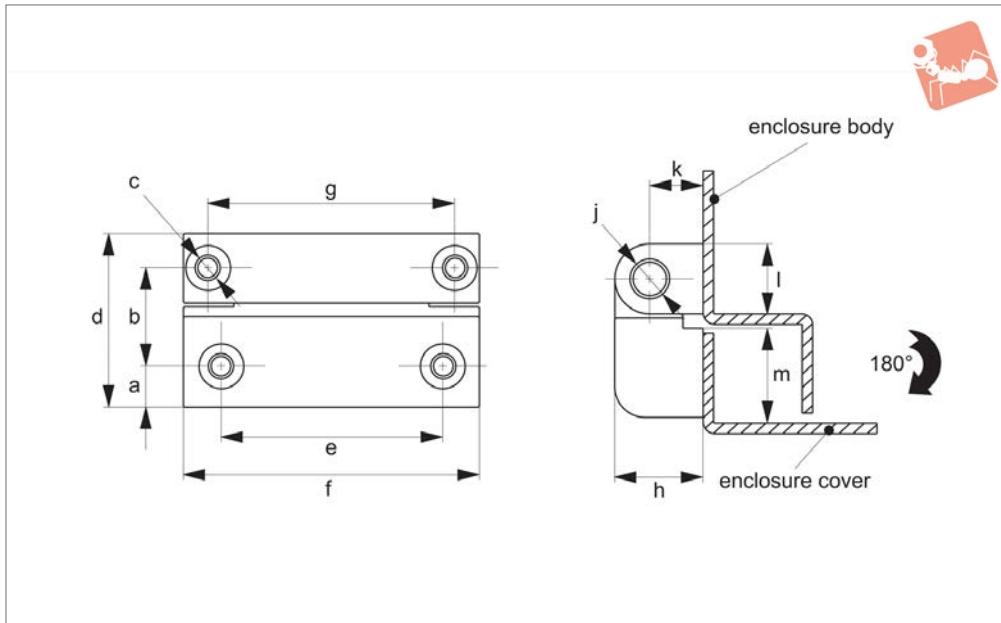


Surface Mount - Flat Hinge

bolt-on - zinc



Hinges



S2015

HINGES

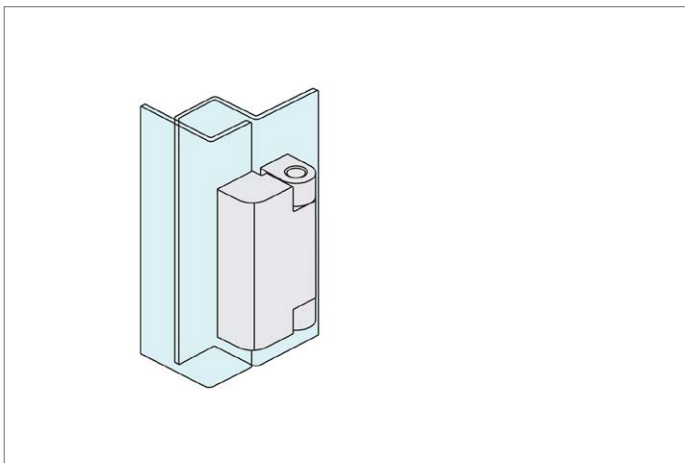
Material

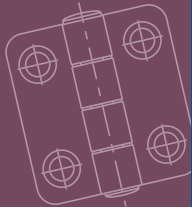
Hinge: die cast zinc, black powder coated.
Pin: steel, nickel-plated.

Technical Notes

Opening angle 180°. Mounting via screws
dimension c.

Order No.	a	b	c	e	g	h	l	j	k	m	f	F _x N	F _y N	d
S2015.AW0022	4	13.0	M 4	22	22	13	10	Ø5	8	9.0	30	600	460	22.0
S2015.AW0028	4	18.5	M 4	22	22	13	10	Ø5	8	14.5	30	700	800	27.5
S2015.AW0035	8	20.0	M 5	45	50	18	14	Ø8	11	18.0	60	1000	1200	35.0

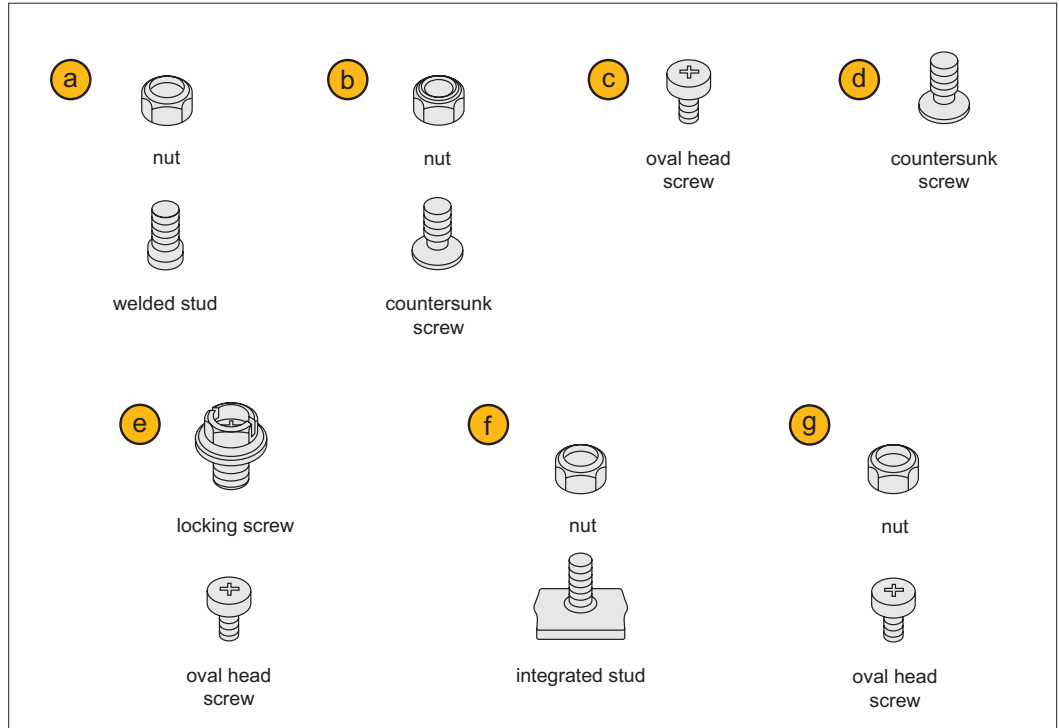




A variety of mounting methods are available!

Mounting combinations

Wixroyd concealed hinges can be mounted in a variety of ways using additional nuts and bolts.



Important Note: Refer to individual product pages for suitable mounting options. If you have any problems please contact our Technical Sales Team.

Mounting example

In the example, mounting option ②, a nut with a countersunk screw, is used to mount the hinge onto the enclosure body.

