

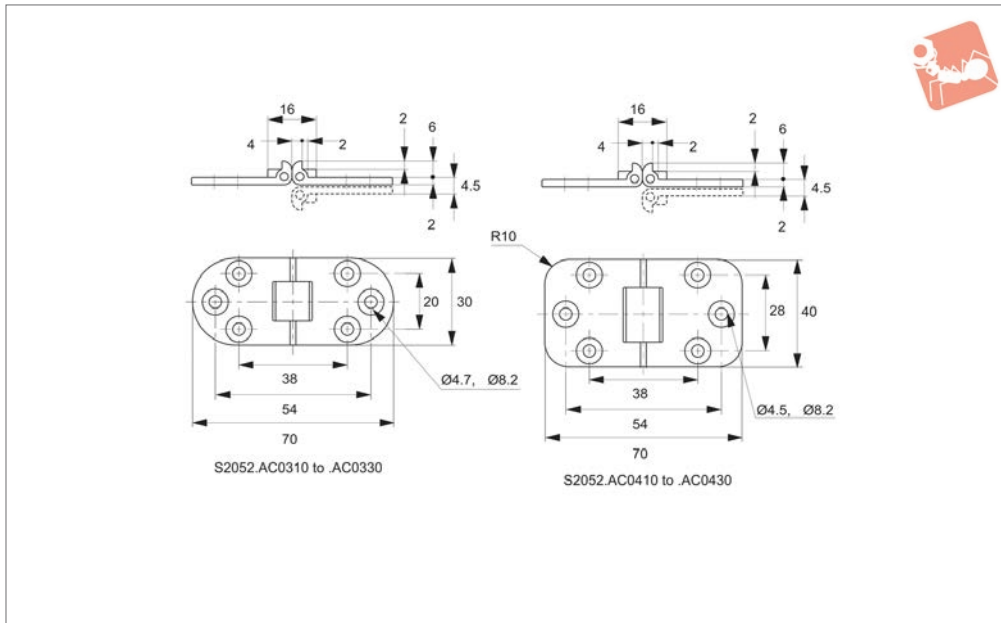


Flush Mount - Drop Lid Hinges

two pivot overlay - brass



Hinges



S2052

HINGES

Material

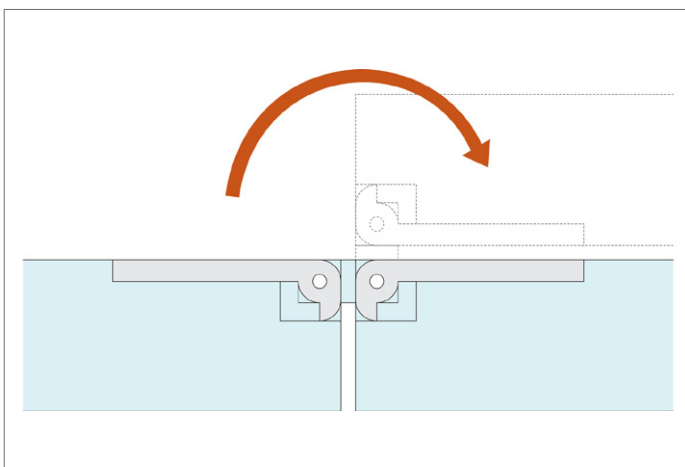
Brass, finished either as polished brass, satin nickel or chrome plating.

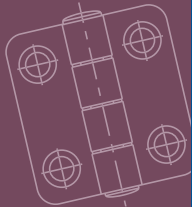
Technical Notes

Max. door size: 450w x 700h x 21mm thick.
Provides 180° opening to table tops and

flat surfaces.

Order No.	Finish	Size	Weight capacity per pair kg max.	Weight g
S2052.AC0310	Satin Nickel	30	4.0	45
S2052.AC0320	Chrome	30	4.0	45
S2052.AC0330	Brass	30	4.0	45
S2052.AC0410	Satin Nickel	40	4.0	64
S2052.AC0420	Chrome	40	4.0	64
S2052.AC0430	Brass	40	4.0	64

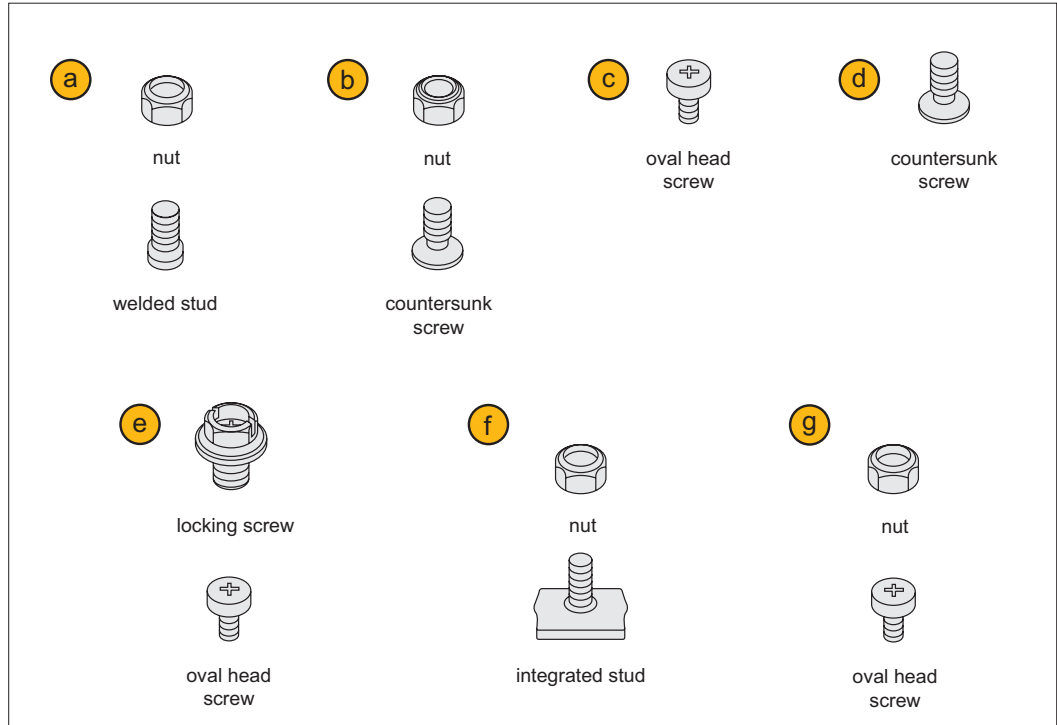




A variety of mounting methods are available!

Mounting combinations

Wixroyd concealed hinges can be mounted in a variety of ways using additional nuts and bolts.



Important Note: Refer to individual product pages for suitable mounting options. If you have any problems please contact our Technical Sales Team.

Mounting example

In the example, mounting option ②, a nut with a countersunk screw, is used to mount the hinge onto the enclosure body.

