

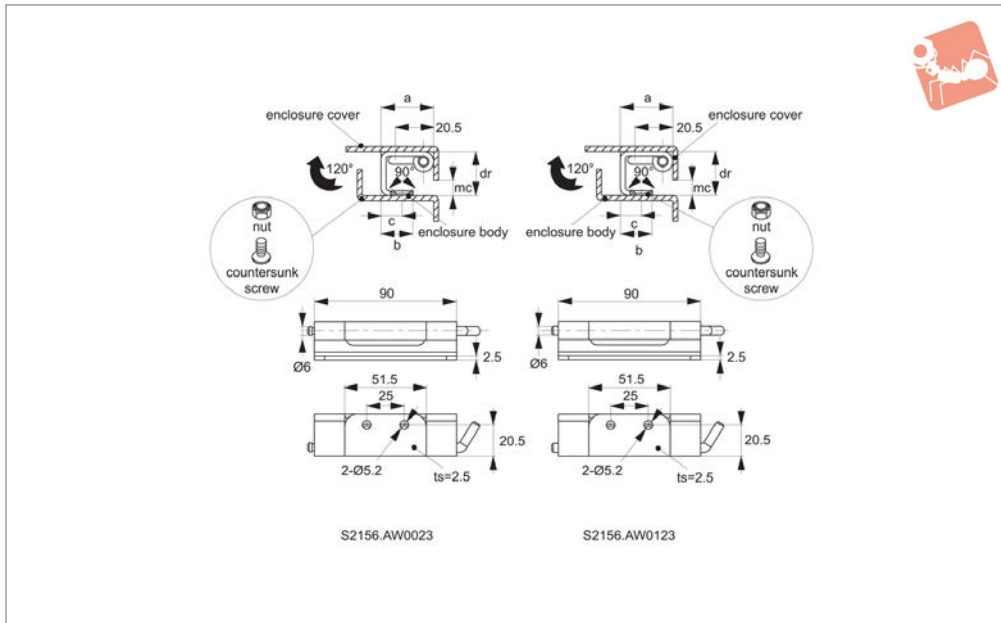


# Concealed Pivot Hinges - Lift Off

23mm door return - weld and locking screw - stain-



Hinges



S2156

HINGES

**Material**

Hinge & shaft: stainless steel. AISI 304.

**Technical Notes**

Opening angle 120°. Suited to sheet metal and machine enclosures with a 23mm door return. Main body mounted via two M5

screws, hinge plate welded to frame (copper plated for improved welding). Removable hinge pin enables easy installation, and is held in place by clip.

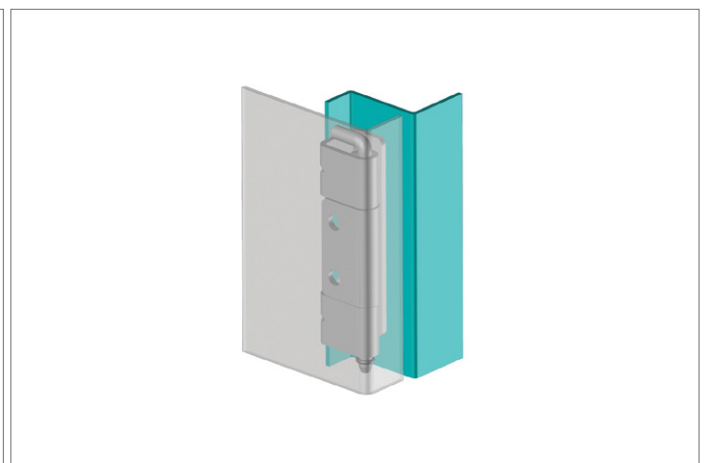
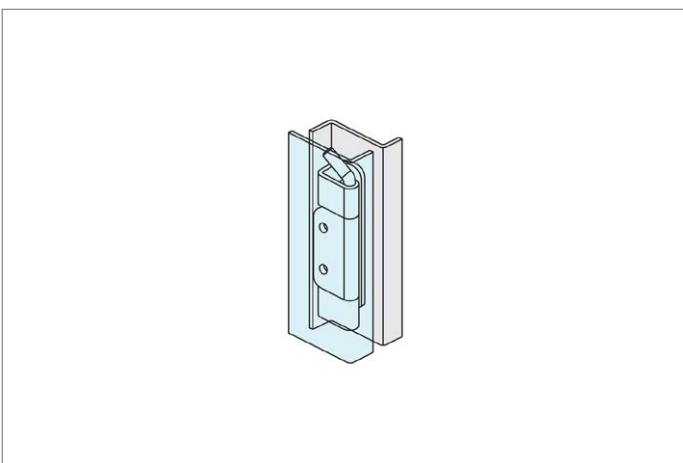
**Important Notes**

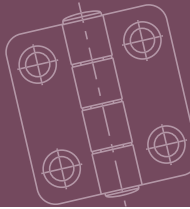
dr= Maximum door return suitable for use

with hinge.

mc= Minimum clearance advised between enclosure cover and body to ensure smooth, full opening of enclosure cover.

Order No.	Door return	Size	a	b	c	F <sub>x</sub> N	F <sub>y</sub> N	mc min.	ts panel thickness
S2156.AW0023	23	90 x 27,5 x 23	27.5	16.5	11.0	500	980	5	2.5
S2156.AW0123	23	90 x 33,5 x 23	33.5	22.0	14.5	500	980	5	2.5

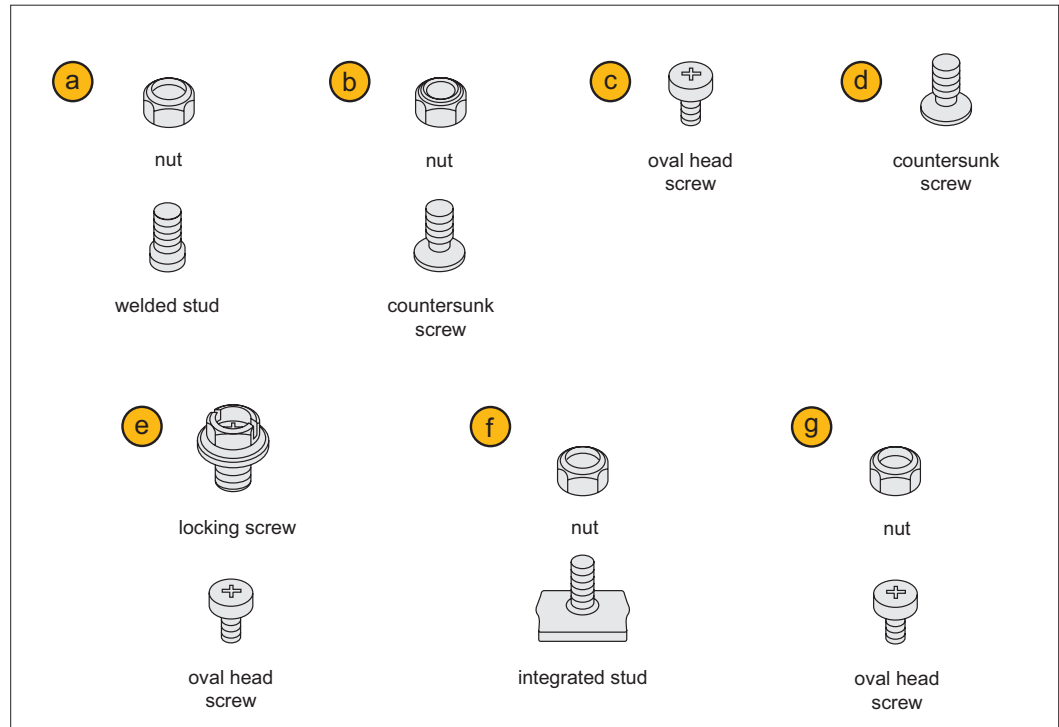




### A variety of mounting methods are available!

#### Mounting combinations

Wixroyd concealed hinges can be mounted in a variety of ways using additional nuts and bolts.



**Important Note: Refer to individual product pages for suitable mounting options. If you have any problems please contact our Technical Sales Team.**

#### Mounting example

In the example, mounting option ②, a nut with a countersunk screw, is used to mount the hinge onto the enclosure body.

