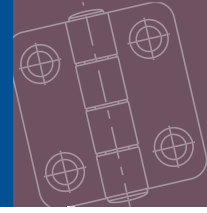


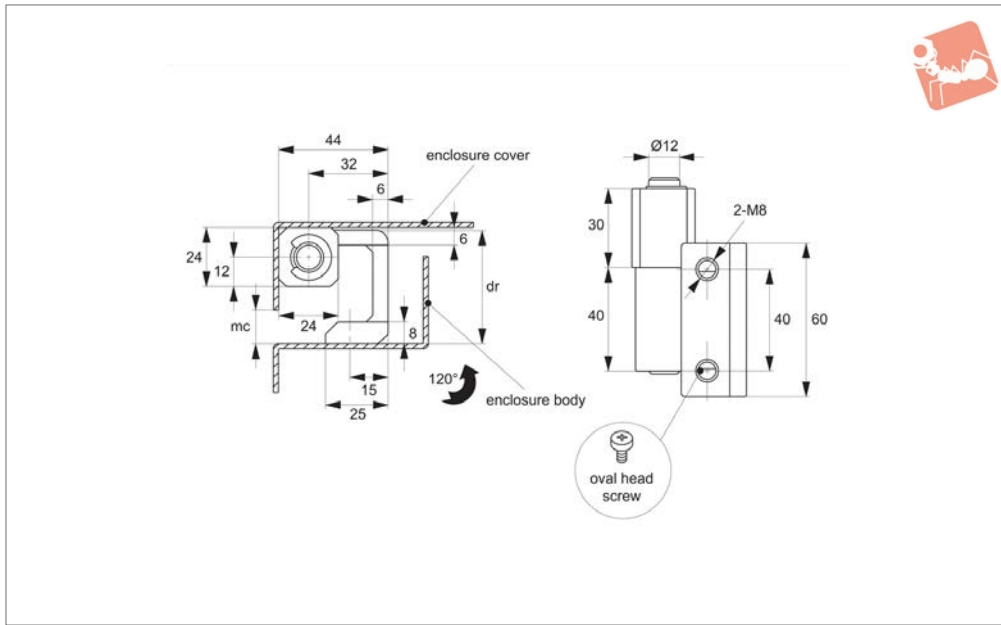


Concealed Pivot Hinges - Lift Off

45mm door return - weld and locking screw



Hinges



S2172

HINGES

Material

Hinge: stainless steel, white zinc plated.

Technical Notes

Suited to sheet metal and machine enclosures with a 45mm door return. Main body

mounted via two M8 screws, hinge plate welded to frame.

Opening angle: 120°.

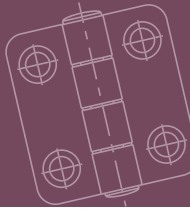
Important Notes

dr= Maximum door return suitable for use

with hinge.

mc= Minimum clearance advised between enclosure cover and body to ensure smooth, full opening of enclosure cover.

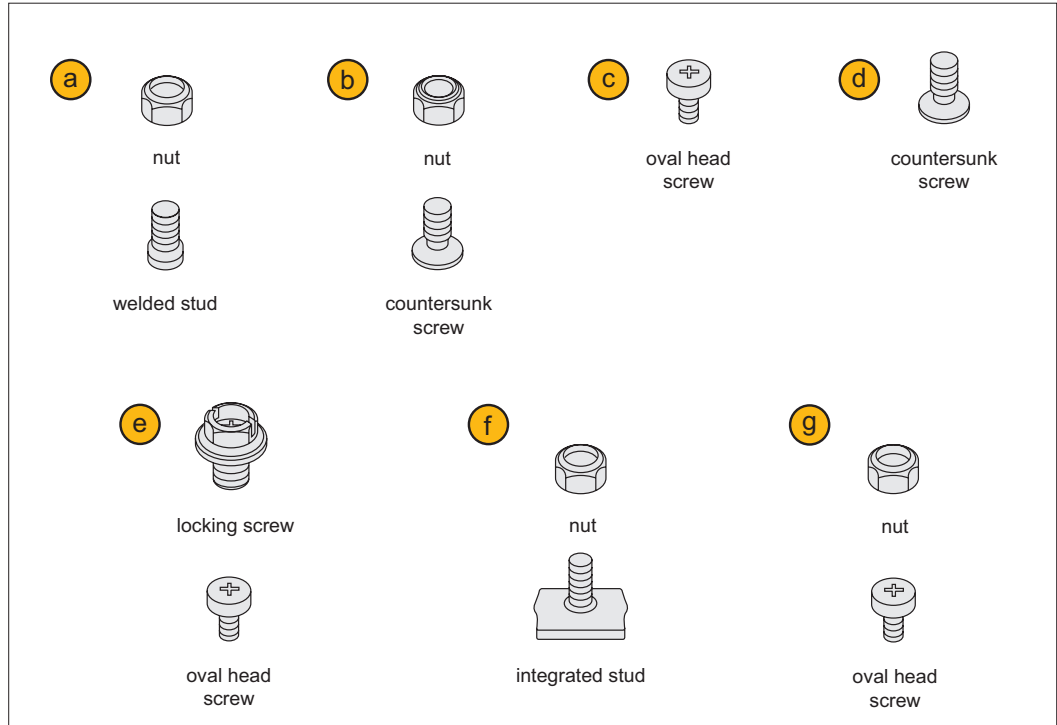
Order No.	Door return	Size	F _x N	F _y N	mc min.	ts panel thickness
S2172.AW0046	45	60 x 44 x 45,5	2000	1500	10	2.5



A variety of mounting methods are available!

Mounting combinations

Wixroyd concealed hinges can be mounted in a variety of ways using additional nuts and bolts.



Important Note: Refer to individual product pages for suitable mounting options. If you have any problems please contact our Technical Sales Team.

Mounting example

In the example, mounting option ②, a nut with a countersunk screw, is used to mount the hinge onto the enclosure body.

