

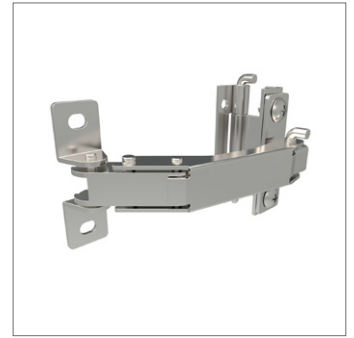
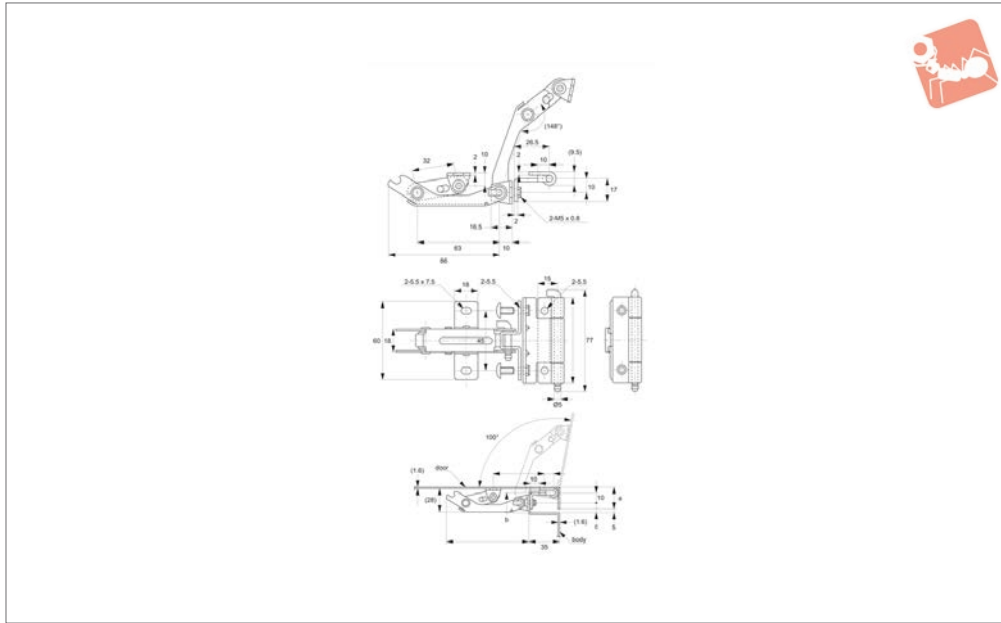


Concealed Pivot Hinges - Integral Stay

screw mount - stainless steel



Hinges



S2250

HINGES

Material

Stainless steel, AISI 304.

removal of machine/equipment covers for maintenance.

machine cover and body to be fully sealed to prohibit tampering or interference.

Technical Notes

Combined hinge and stay easily installed/removed via installation pin. Ideal for

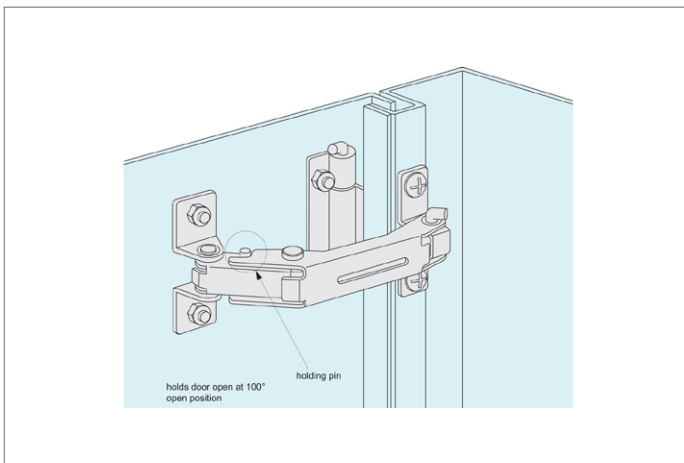
Tips

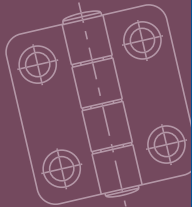
Particularly suited to gaming industry. Nature of hinges movement enables

Important Notes

Suitable for doors up to 10Kg (as pair). Holding force: 30kgf/cm each.

Order No.	Type	Weight g
S2250.AC0010	Stainless Steel	190

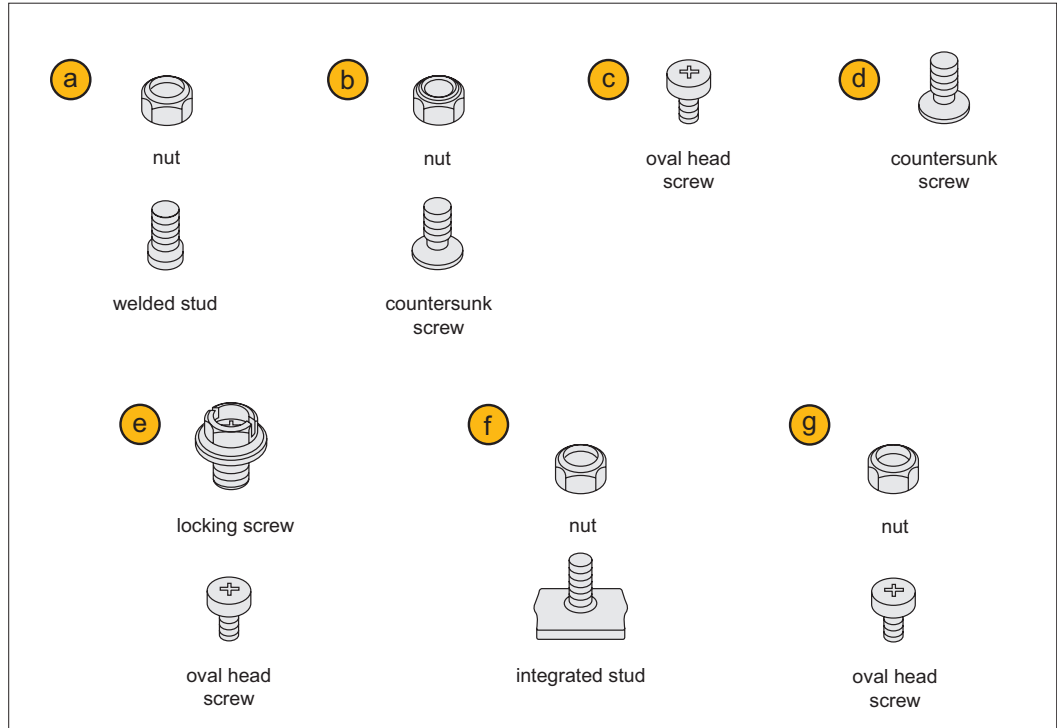




A variety of mounting methods are available!

Mounting combinations

Wixroyd concealed hinges can be mounted in a variety of ways using additional nuts and bolts.



Important Note: Refer to individual product pages for suitable mounting options. If you have any problems please contact our Technical Sales Team.

Mounting example

In the example, mounting option ②, a nut with a countersunk screw, is used to mount the hinge onto the enclosure body.

