

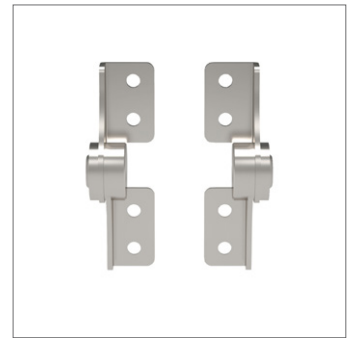
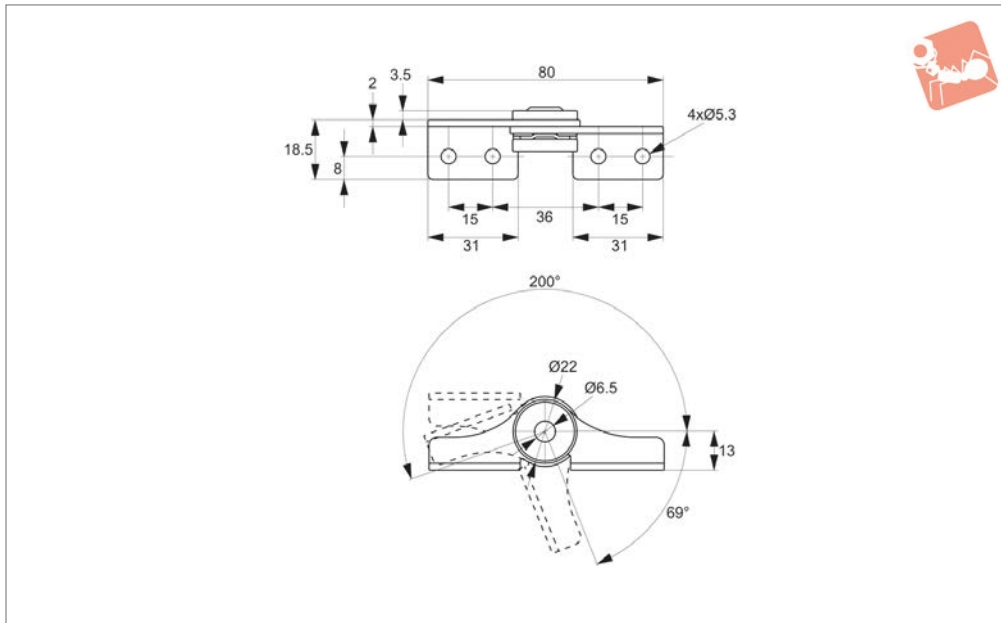


Constant Torque - Friction Torque

Friction Torque Hinges



Hinges



S4026

HINGES

Material

Bracket and Base- 430 Stainless, Plate-steel, Shaft and washer- 303 and 430 stainless steel.

Technical Notes

Hole in shaft allows easy cable manage-

ment. Ideal for the holder of LCD and monitoring camera. Successfull Passed for the 50,000 open/close private cycle test. Torque moment per piece is 4.5 Nm \pm 20%.

Tips

Operating temperature: 0°C- 40°C.

For pair using: Use the same torque moment in both hinges.

Order No.	Type	Weight g
S4026.AC0010	Right/Wiring Hole	60
S4026.AC0020	Left/Wiring Hole	60

