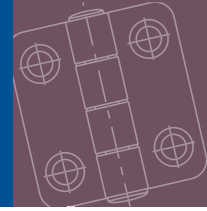


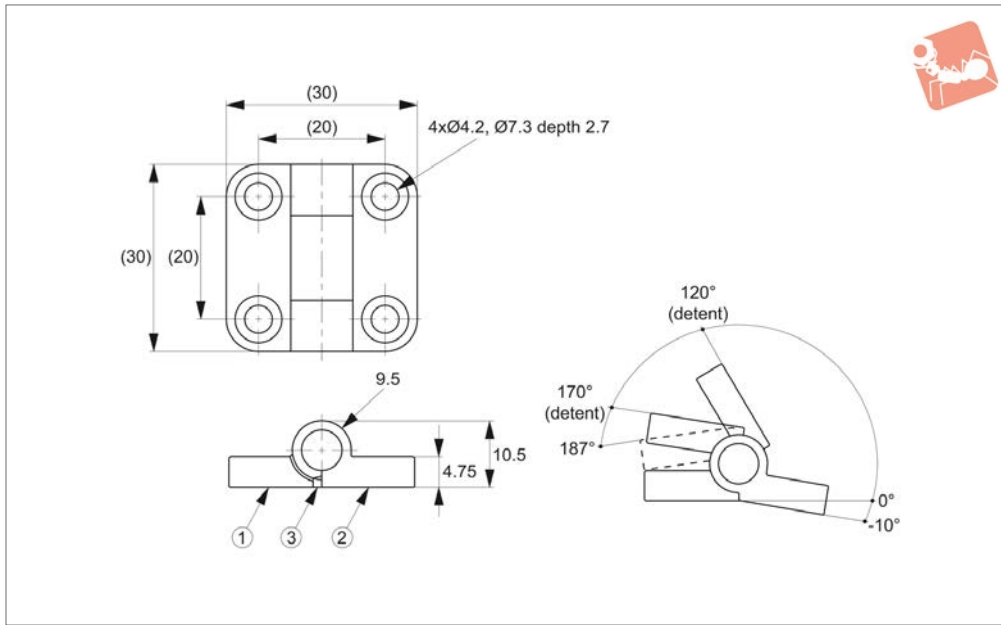


Mini Detent Hinge

screw mount - plastic



Hinges



S4102

HINGES

Technical Notes

Plastic hinge holds doors at 3 different positions without secondary support (-10°, 120° and 170°). Can be used horizontally

or vertically. Additional stopper is recommended at 0° and 170°. Successfully passed for the 40,000 open/close private cycle test.

Tips

Recommended screw: Pan wood screw M4.

Order No.	Colour	Weight g
S4102.AW0010	Black	8
S4102.AW0020	White	8

