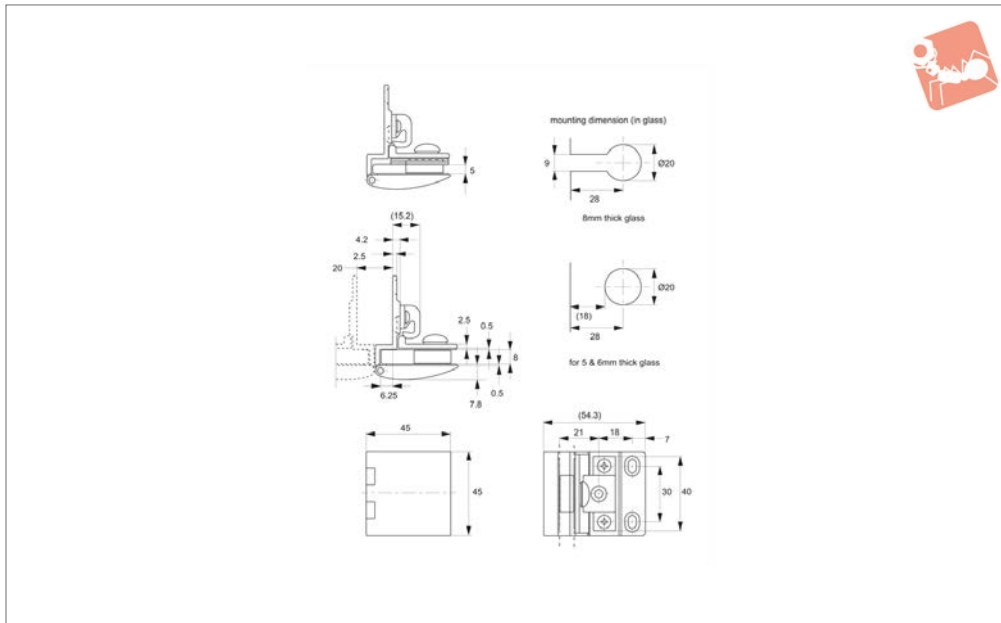




# Glass Door Hinges - Overlay Type with catch



Hinges



**T2240**

HINGES

### Material

Hinge body: brass, in nickel, chrome or gold finish.  
Glass adj. roller: polyamide, black.  
Bushes & spacers: rubber, black.

### Technical Notes

6mm overlay. For door thickness 5 to 8mm.  
Horizontally adjustable by 2,5mm, vertical

adjustment 2mm.

Max. door size - 600w x 700h x 8mm thick.  
Max. door weight - 15Kg per hinge pair.  
Plastic body of hinge forms a mechanical catch to hold panel/door in closed position.  
Please note, you will need to drill holes in the glass in order to fit these hinges.

### Important Notes

Spacers are supplied to accommodate different glass door thicknesses;  
5mm glass use 3 spacers  
6mm glass use 2 spacers  
8mm glass no spacers required.

Order No.	Glass thickness mm	Finish	Load capacity 2 hinges kg
T2240.AC0010	5 to 8	Satin Nickel	15
T2240.AC0020	5 to 8	Chrome	15
T2240.AC0030	5 to 8	Gold	15



The Wixroyd range of glass door hinges are intended for the mounting of smaller doors and panels on cabinets and enclosures, typically their maximum load capacity is 4 Kg per hinge pair. Some of our larger hinges have a capacity of upto 12-15 Kg/pair.

## Inset type hinges

Inset hinges are mounted on the inside of the cabinet frame, and are used for hanging doors/panels flush to the frame of the cabinet. Requires mounting holes to be cut into the glass.



Wixroyd product no.	Max. glass thickness (mm)	Max. load capacity per pair (Kg)	Max. door/panel size mm (subj. to max. load)	Requires mounting holes cut in glass
T2000	4 to 6	4	-	Yes
T2030	4 to 6	4	450 x 700	Yes
T2220	5 to 8	15	600 x 700	Yes
T2300	5 to 8	12	650 x 700	Yes
T2102	4 to 6	8	500 x 600	Yes

## Overlay hinges

Overlay hinges are mounted to the inside of the cabinet frame, with the complete hinge profile resting on the cabinet frame. The door/panel is hung proud of the cabinet frame. Requires mounting holes to be cut into the glass.



Wixroyd product no.	Max. glass thickness (mm)	Max. load capacity per pair (Kg)	Max. door/panel size mm (subj. to max. load)	Requires mounting holes cut in glass
T2240	5 to 8	15	600 x 700	Yes
T2106	4 to 6	8	500 x 600	Yes

## Half overlay hinges

Half overlay hinges are mounted to the inside of the cabinet frame, with half of the hinge profile resting on the cabinet frame. The door/panel is hung proud of the cabinet frame. Requires mounting holes to be cut into the glass.



Wixroyd product no.	Max. glass thickness (mm)	Max. load capacity per pair (Kg)	Max. door/panel size mm (subj. to max. load)	Requires mounting holes cut in glass
T2020	4 to 6	4	-	Yes
T2040	4 to 6	4	450 x 700	Yes
T2104	4 to 6	8	500 x 600	Yes

## Glass-to-glass hinges

To hinge glass-to-glass, Tony says use these particular hinges, they provide non-flush hanging of glass to glass. Requires mounting holes to be cut into the glass.



Wixroyd product no.	Max. glass thickness (mm)	Max. load capacity per pair (Kg)	Max. door/panel size mm (subj. to max. load)	Requires mounting holes cut in glass
T2200	5 to 8	15	600 x 700	Yes

## Set screw mount hinges

These simple to install glass hinges use set screws to clamp the glass, no cutting of the glass is required.



Wixroyd product no.	Max. glass thickness (mm)	Max. load capacity per pair (Kg)	Max. door/panel size mm (subj. to max. load)	Requires mounting holes cut in glass
T2260	4 to 8	-	450 x 1300	No
T2280	4 to 8	-	400 x 600	No