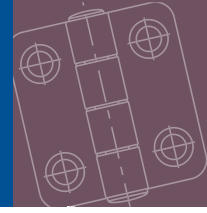


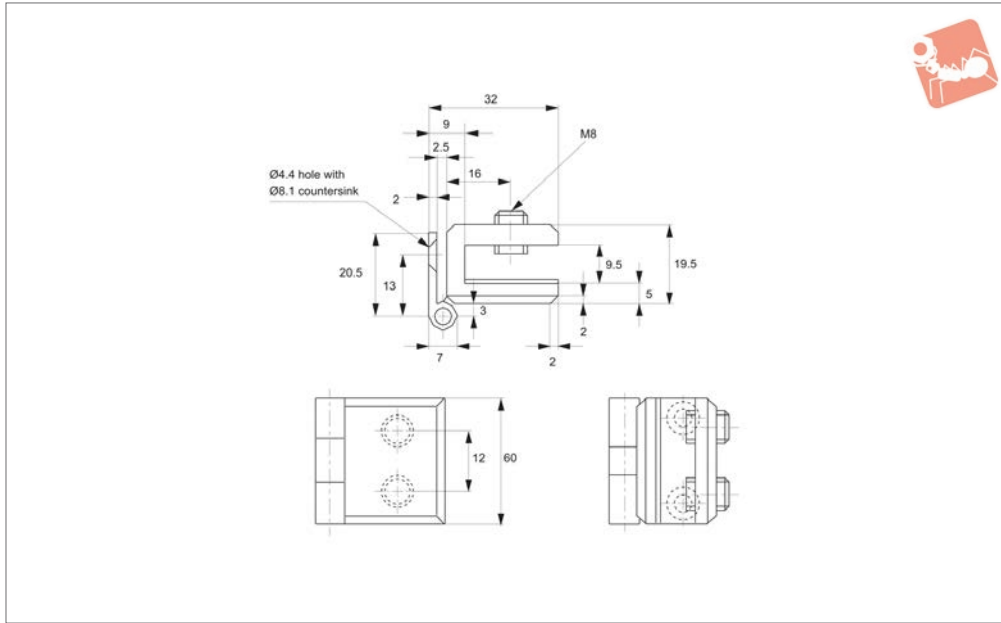


Glass Door Hinges - Set Screw Mount

stainless steel



Hinges



T2280

HINGES

Material

Body: stainless steel, AISI 304, polished

Max. door size - 400w x 600h x 8mm thick.

place.

Technical Notes

For door thicknesses 4 to 8mm.

Important Notes

No holes required in glass for installation.
Three grub screws hold and clamp glass in

Order No.	Glass thickness mm	Finish
T2280.AC0010	4 to 8	Stainless



The Wixroyd range of glass door hinges are intended for the mounting of smaller doors and panels on cabinets and enclosures, typically their maximum load capacity is 4 Kg per hinge pair. Some of our larger hinges have a capacity of upto 12-15 Kg/pair.

Inset type hinges

Inset hinges are mounted on the inside of the cabinet frame, and are used for hanging doors/panels flush to the frame of the cabinet. Requires mounting holes to be cut into the glass.



Wixroyd product no.	Max. glass thickness (mm)	Max. load capacity per pair (Kg)	Max. door/panel size mm (subj. to max. load)	Requires mounting holes cut in glass
T2000	4 to 6	4	-	Yes
T2030	4 to 6	4	450 x 700	Yes
T2220	5 to 8	15	600 x 700	Yes
T2300	5 to 8	12	650 x 700	Yes
T2102	4 to 6	8	500 x 600	Yes

Overlay hinges

Overlay hinges are mounted to the inside of the cabinet frame, with the complete hinge profile resting on the cabinet frame. The door/panel is hung proud of the cabinet frame. Requires mounting holes to be cut into the glass.



Wixroyd product no.	Max. glass thickness (mm)	Max. load capacity per pair (Kg)	Max. door/panel size mm (subj. to max. load)	Requires mounting holes cut in glass
T2240	5 to 8	15	600 x 700	Yes
T2106	4 to 6	8	500 x 600	Yes

Half overlay hinges

Half overlay hinges are mounted to the inside of the cabinet frame, with half of the hinge profile resting on the cabinet frame. The door/panel is hung proud of the cabinet frame. Requires mounting holes to be cut into the glass.



Wixroyd product no.	Max. glass thickness (mm)	Max. load capacity per pair (Kg)	Max. door/panel size mm (subj. to max. load)	Requires mounting holes cut in glass
T2020	4 to 6	4	-	Yes
T2040	4 to 6	4	450 x 700	Yes
T2104	4 to 6	8	500 x 600	Yes

Glass-to-glass hinges

To hinge glass-to-glass, Tony says use these particular hinges, they provide non-flush hanging of glass to glass. Requires mounting holes to be cut into the glass.



Wixroyd product no.	Max. glass thickness (mm)	Max. load capacity per pair (Kg)	Max. door/panel size mm (subj. to max. load)	Requires mounting holes cut in glass
T2200	5 to 8	15	600 x 700	Yes

Set screw mount hinges

These simple to install glass hinges use set screws to clamp the glass, no cutting of the glass is required.



Wixroyd product no.	Max. glass thickness (mm)	Max. load capacity per pair (Kg)	Max. door/panel size mm (subj. to max. load)	Requires mounting holes cut in glass
T2260	4 to 8	-	450 x 1300	No
T2280	4 to 8	-	400 x 600	No