

E2200

CATCHES & LATCHES

Material

Body and catch: ABS Plastic.

door and cabinet frame for push space.
Supplied with screws (3.1x13, 3.5x10).

without unlatching the unit may damage
the mechanism.

Technical Notes

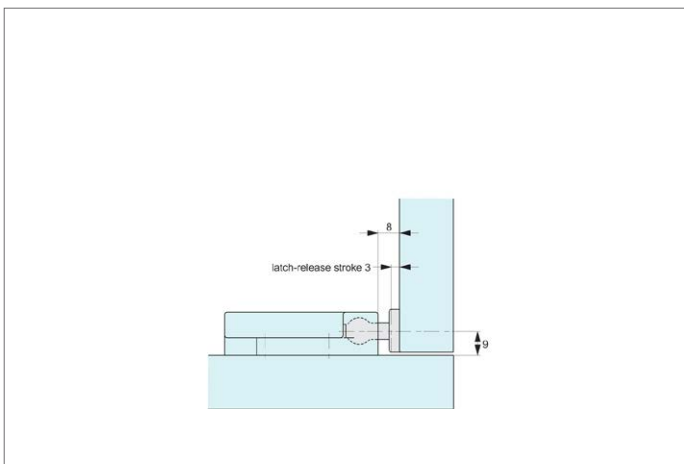
For overlay door allow 3mm gap between

Important Notes

Pulling the door with excessive force

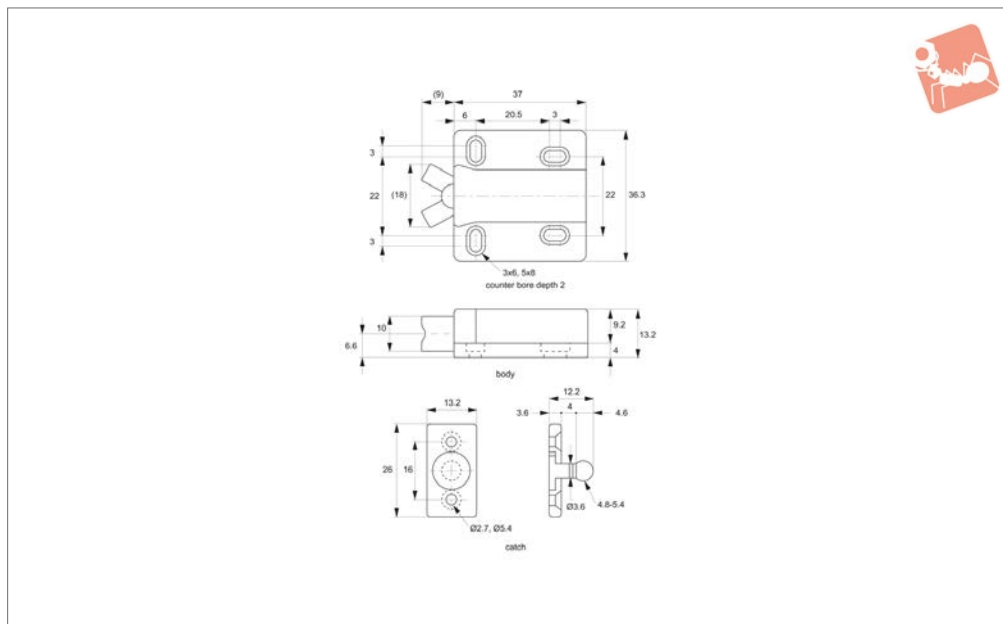
Constant loading of over 4Kgf, either
pushing or pulling, is not recommended.

Order No.	Finish	Retaining force	Weight
E2200.AC0010	White	8 kg	24 g
E2200.AC0020	Black	8	24
E2200.AC0030	Brown	8	24





E2400



Material

Body and catch: ABS plastic.

Technical Notes

For overlay door allow 3mm gap between

door and cabinet frame for push space.
Supplied with screws (2.7x13, 2.4x10).

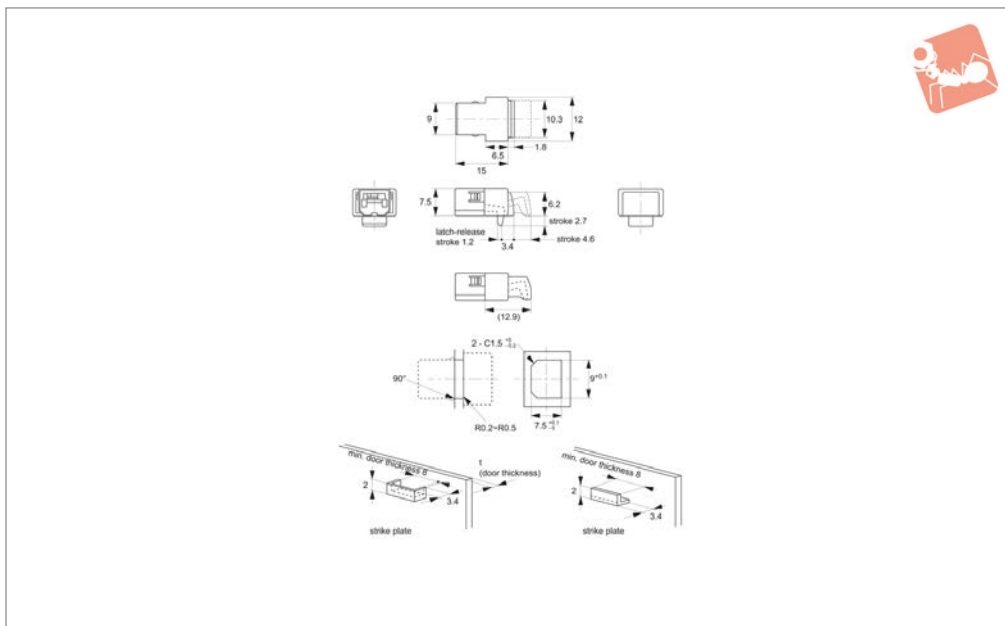
Important Notes

Pulling the door with excessive force

without unlatching the unit may damage the mechanism.

Constant loading of over 3Kgf, either pushing or pulling, is not recommended.

Order No.	Finish	Retaining force kgf	Weight g
E2400.AC0020	Black	3	15



E2600

CATCHES & LATCHES

Material

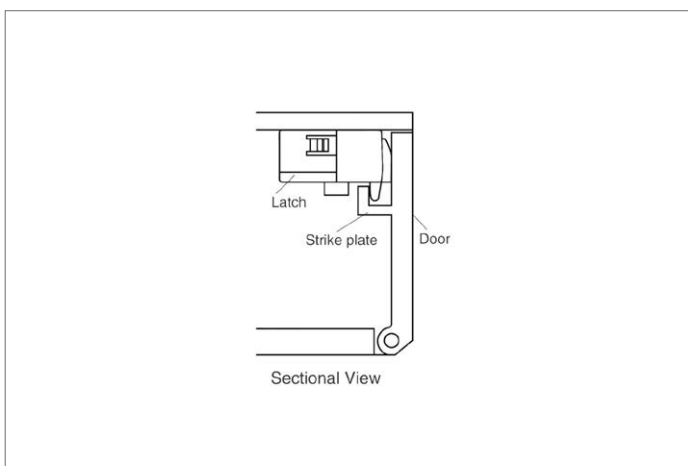
Body: polycarbonate.

of 'Recommended Strike Dimensions' are for your own fabrication of strike to best suit your application.

Technical Notes

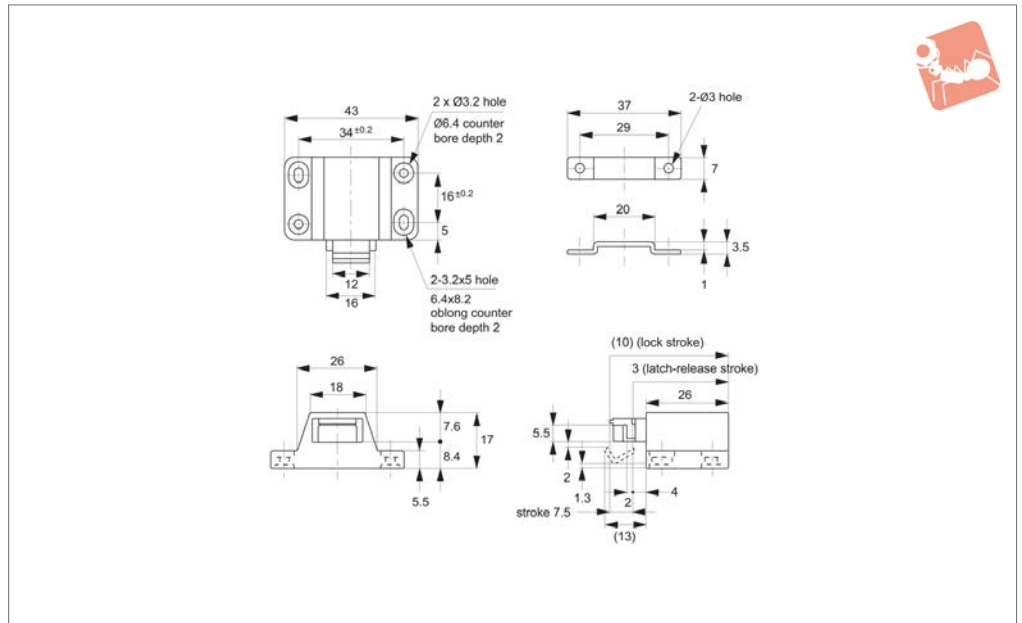
No catch plate supplied. Dimensions shown

Order No.	Retaining force kgf	Weight g
E2600.AC0020	1	1.1





E2800



Material

Housing: ABS plastic.
Slide: polyacetal.

Strike, arm and yoke: steel.

Technical Notes

Screws not included.

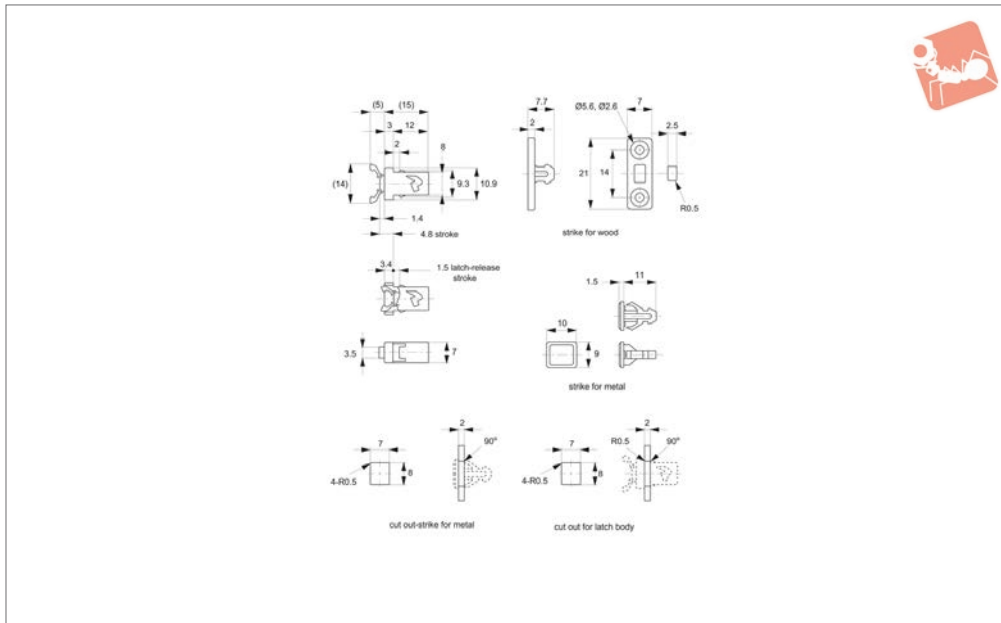
Order No.	Finish	Retaining force kgf	Weight g
E2800.AC0020	Black	10	16.3



Mini Touch Latches

non-magnetic

Catches & Latches



E3000

CATCHES & LATCHES

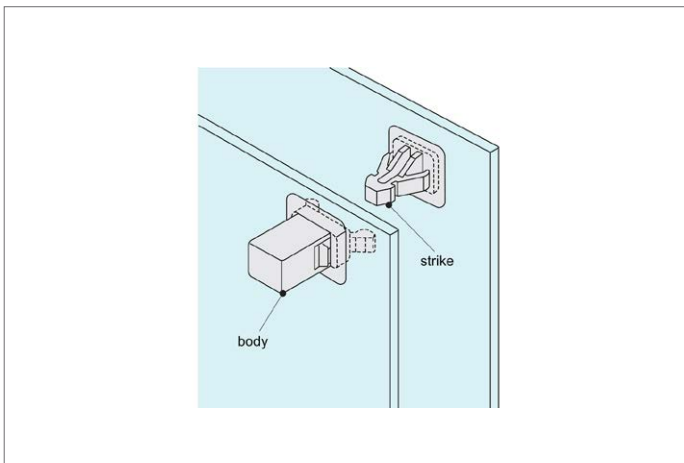
Material

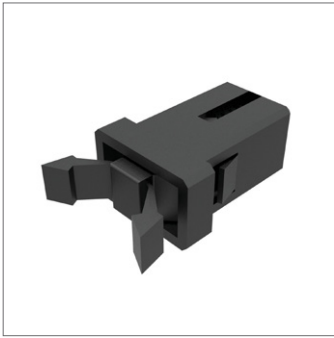
Body: polyacetal.
Strike: polyamide.

Technical Notes

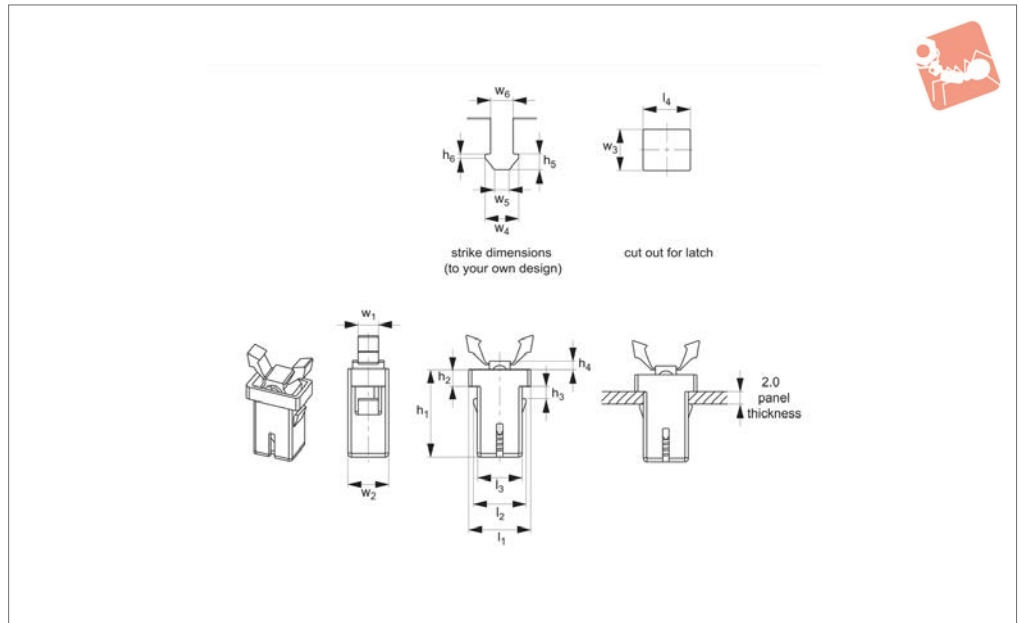
Strikes ordered separately. Screws not included.

Order No.	Type	Retaining force kgf	Weight g
E3000.AC0020	Latch	1.2	0.7
E3000.AC0022	Strike for Wood	-	0.2
E3000.AC0024	Strike for Metal	-	0.2





E3010



Material

Nylon and Polyacetal (POM)

Technical Notes

Strikes not supplied. Dimensions shown

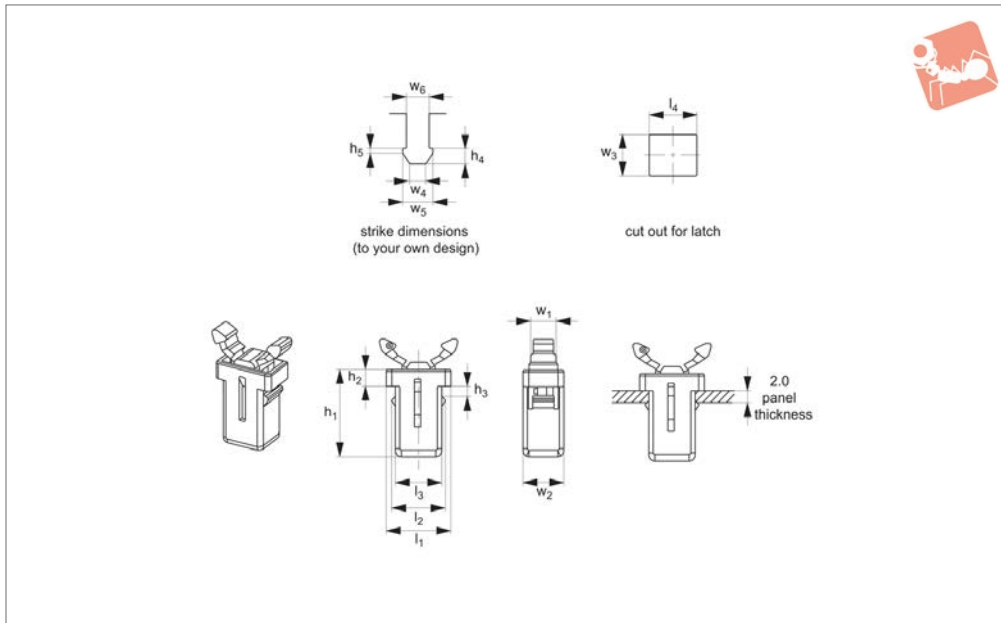
are for your own fabrication of strike to best suit your application.

Suitable for panel thickness 2,0mm

Tips

Subject to minimum order quantity.

Order No.	l_1	h_1	l_2	l_3	l_4	h_2	h_3	h_4
E3010.AC0010	10.9	14.9	9.2	7.9	8	2.9	2	1.5
Order No.	h_5	h_6	w_1	w_2	w_3	w_4	w_5	w_6
E3010.AC0010	2.6	0.6	3.5	6.9	7	5.3	2.6	4



E3012

CATCHES & LATCHES

Material

Nylon and Polyacetal (POM)

are for your own fabrication of strike to best sort your application. Suitable for panel thickness 2,0mm

Tips

Subject to minimum order quantity.

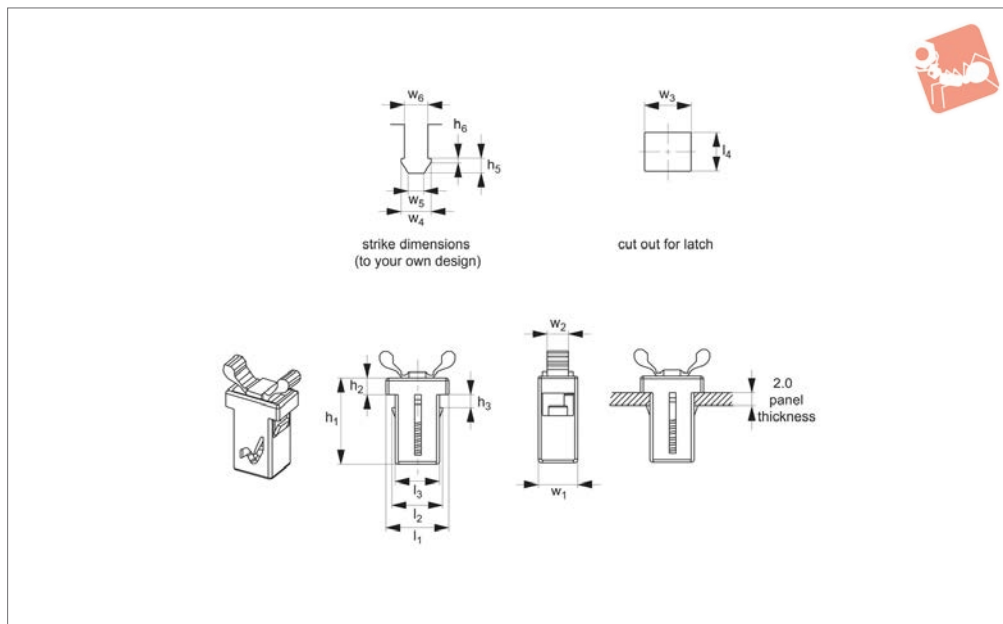
Technical Notes

Strikes not supplied. Dimensions shown

Order No.	l_1	h_1	l_2	l_3	l_4	h_2	h_3	h_4	h_5	w_1	w_2	w_3	w_4	w_5	w_6
E3012.AC0010	11.08	15	9.2	7.9	8.0	3	2	2.6	0.6	4.6	6.9	7	5.3	2.6	4.0



E3014



Material

Nylon and Polyacetal (POM)

Technical Notes

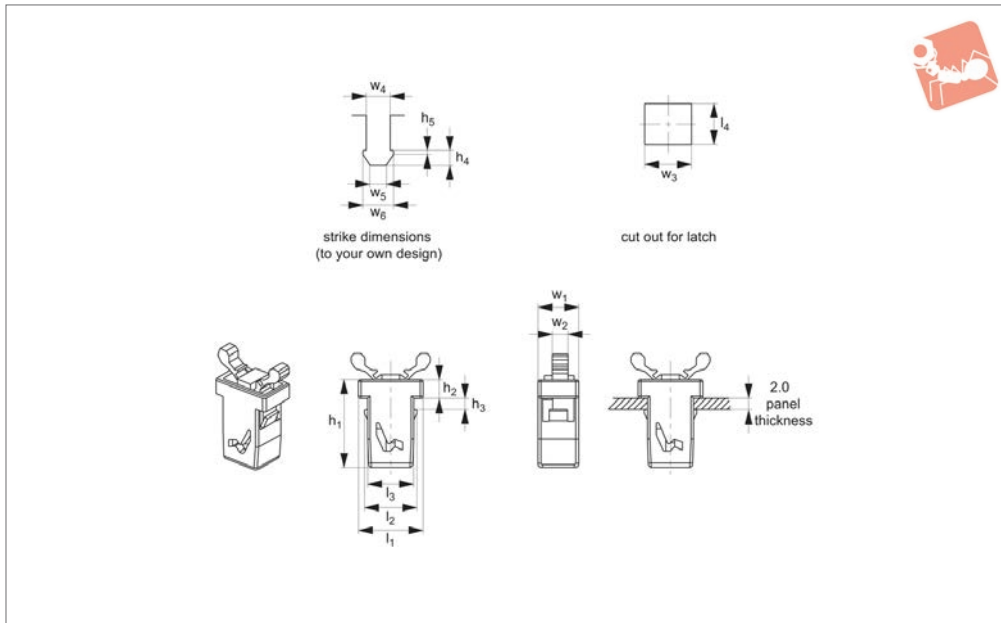
Strikes not supplied. Dimensions shown

are for your own fabrication of strike to best suit your application. Suitable for panel thickness 2,1mm

Tips

Subject to minimum order quantity.

Order No.	l_1	h_1	l_2	l_3	l_4	h_2	h_3	h_5	h_6	w_1	w_2	w_3	w_4	w_5	w_6
E3014.AC0010	11	14.8	9.17	7.9	7	2.9	2.1	2.6	0.6	6.9	3.75	8	5.2	2.5	4.2



E3016

CATCHES & LATCHES

Material

Nylon and Polyacetal (POM)

are for your own fabrication of strike to best sort your application. Suitable for panel thickness 2,0mm

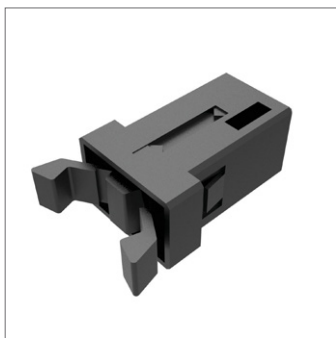
Tips

Subject to minimum order quantity.

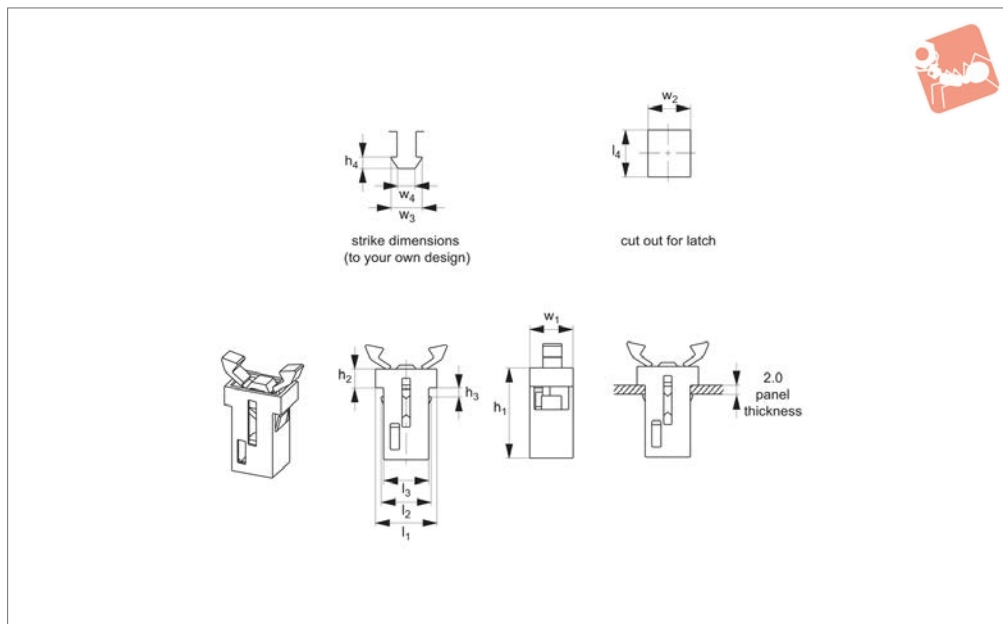
Technical Notes

Strikes not supplied. Dimensions shown

Order No.	l_1	h_1	l_2	l_3	l_4	h_2	h_3	h_4	h_5	w_1	w_2	w_3	w_4	w_5	w_6
E3016.AC0010	10.9	14.8	8.9	7.9	7	3.05	2	2.6	0.6	6.9	2.7	8.0	4.2	2.50	5.2



E3030



Material

Nylon and Polyacetal (POM)

Technical Notes

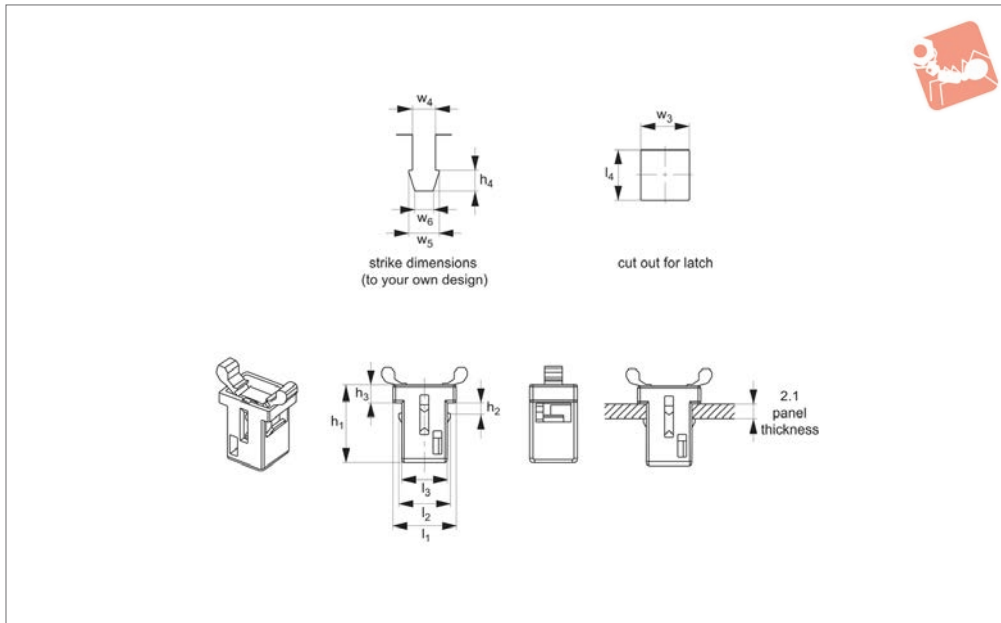
Strikes not supplied. Dimensions shown

are for your own fabrication of strike to best suit your application. Suitable for panel thickness 2,0mm

Tips

Subject to minimum order quantity.

Order No.	l_1	h_1	l_2	l_3	l_4	h_2	h_3	h_4	w_1	w_2	w_3	w_4
E3030.AC0010	14	20.5	11.5	10.5	10.7	4.4	2	2.6	9.7	9.8	7	3.5



E3040

CATCHES & LATCHES

Material

Nylon and Polyacetal (POM)

are for your own fabrication of strike to best suit your application.
Suitable for panel thickness 2,1mm

Tips

Subject to minimum order quantity.

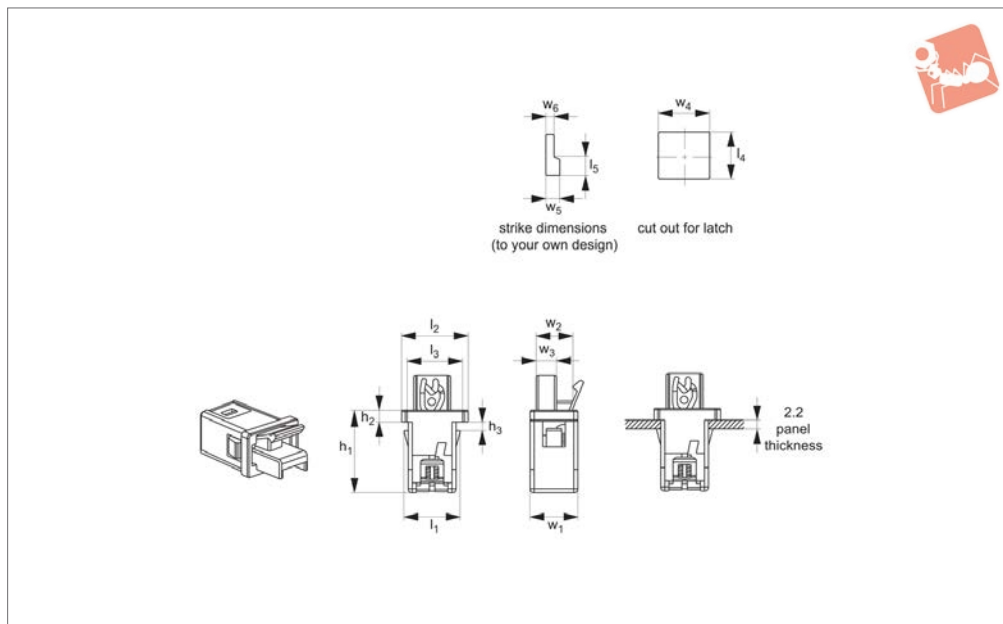
Technical Notes

Strikes not supplied. Dimensions shown

Order No.	l_1	h_1	l_2	l_3	l_4	h_2	h_3	h_4	w_1	w_2	w_3	w_4	w_5	w_6
E3040.AC0010	9	10.8	7.7	6.8	7	2.1	2	3.0	6.9	2.7	6.9	3.5	4.5	2.4



E3050



Material

Nylon and Polyacetal (POM)

Technical Notes

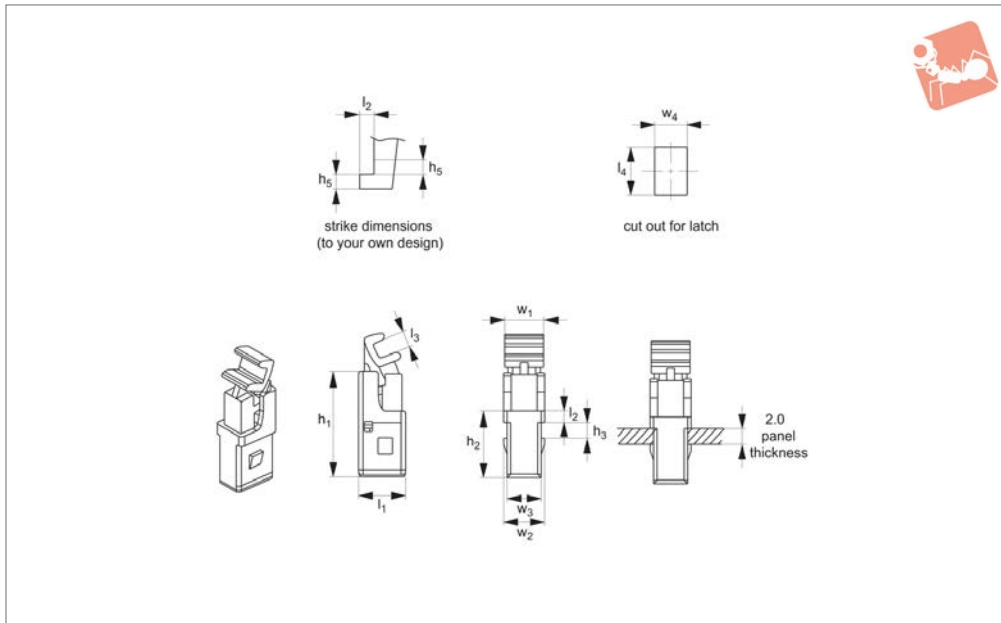
Strikes not supplied. Dimensions shown

are for your own fabrication of strike to best suit your application.
Suitable for panel thickness 2,2mm

Tips

Subject to minimum order quantity.

Order No.	l_1	h_1	l_2	l_3	l_4	l_5	h_2	h_3	w_1	w_2	w_3	w_4	w_5	w_6
E3050.AC0010	14.4	21.1	17.2	12.8	12.1	4	3.0	2.2	12	9	5.15	12.9	3	1.7



E3052

CATCHES & LATCHES

Material

Nylon and Polyacetal (POM)

are for your own fabrication of strike to best sort your application. Suitable for panel thickness 2,0mm

Tips

Subject to minimum order quantity.

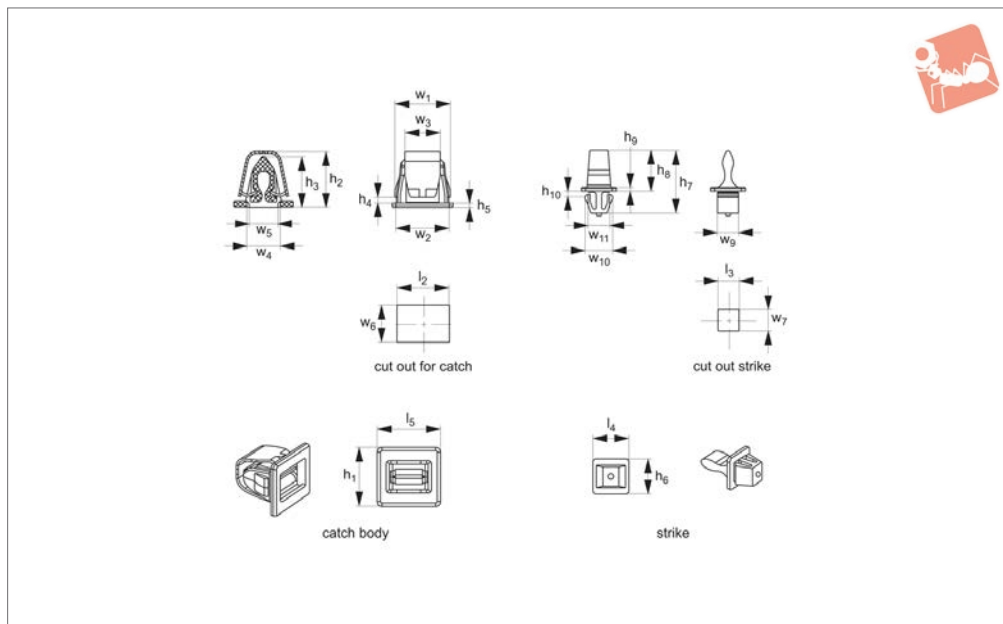
Technical Notes

Strikes not supplied. Dimensions shown

Order No.	l_1	h_1	l_2	l_3	l_4	h_2	h_3	h_4	h_5	w_1	w_2	w_3	w_4
E3052.AC0010	6.5	14.2	2.0	2.10	6.60	9.0	2.0	1.5	1.8	5.2	5.3	4.3	4.4



E3070



Material

Catch and strike body: Polyacetal (POM)
 Strike outer spring: Steel

Suitable for panel thickness 0,8-1,6mm

Tips

Subject to minimum order quantity.

Technical Notes

Catch body and strike supplied as pair.

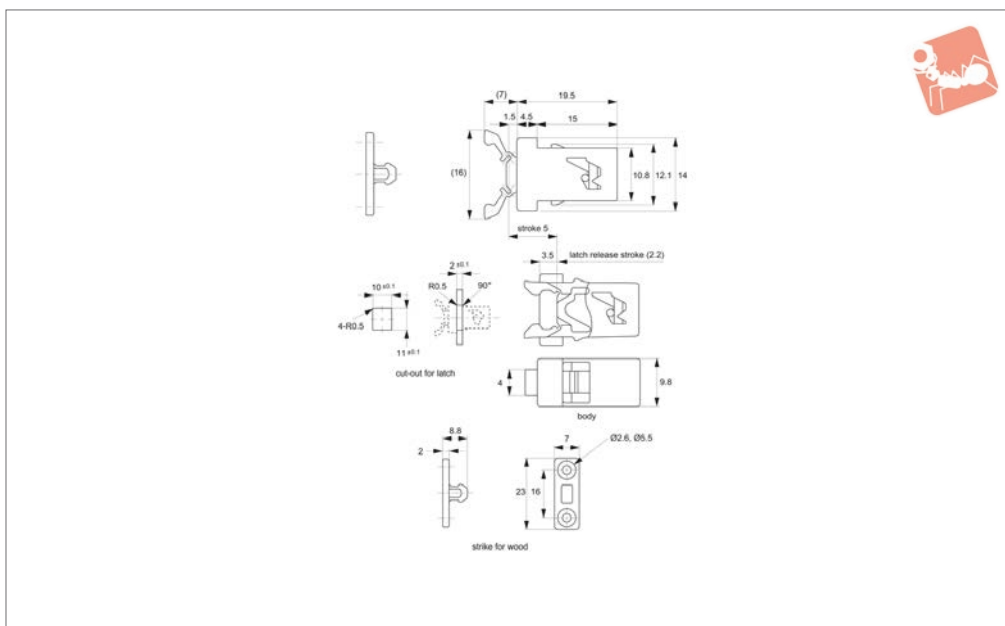
Order No.	l_1	h_1	l_2	l_3	l_4	h_2	h_3	h_4	h_5	h_6	h_7	
E3070.AC0010	19.7	18.0	16.7	7.2	11.0	17.2	16.2	1.8	1.5	11.3	20.0	
Order No.	h_8	h_9	h_{10}	w_1	w_2	w_3	w_5	w_6	w_7	w_9	w_{10}	w_{11}
E3070.AC0010	13.0	1.4	1.6	18.0	16.7	11.3	10.0	13.0	7.2	7	9.1	7.0



Mini Touch Latches

non-magnetic

Catches & Latches



E3200

CATCHES & LATCHES

Material

Body: polycarbonate.
Spring: stainless steel, AISI 304.

Strike: nylon.

included.

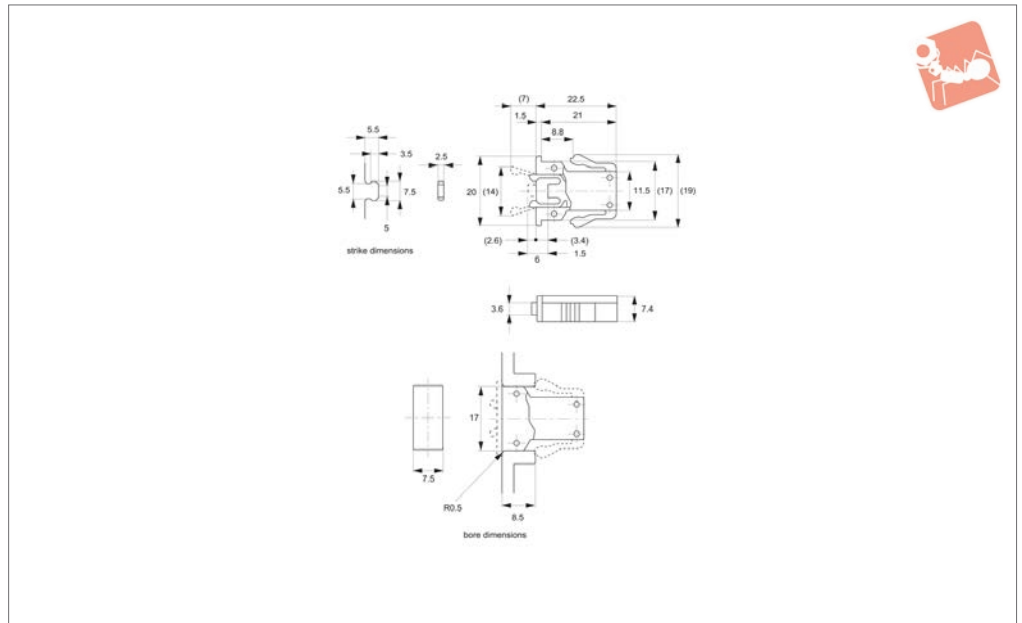
Technical Notes

Strikes ordered separately. Screws not

Order No.	Type	Retaining force kg	Weight g
E3200.AC0020	Latch	3.5	2.3
E3200.AC0022	Strike for Wood	3.5	0.2



E3400



Material

Body: ABS plastic.
Strike: polyamide.

Technical Notes

Strike not supplied. Dimensions shown are for your own fabrication of strike to best

suit your application.

Order No.

E3400.AC0020

Finish

Black

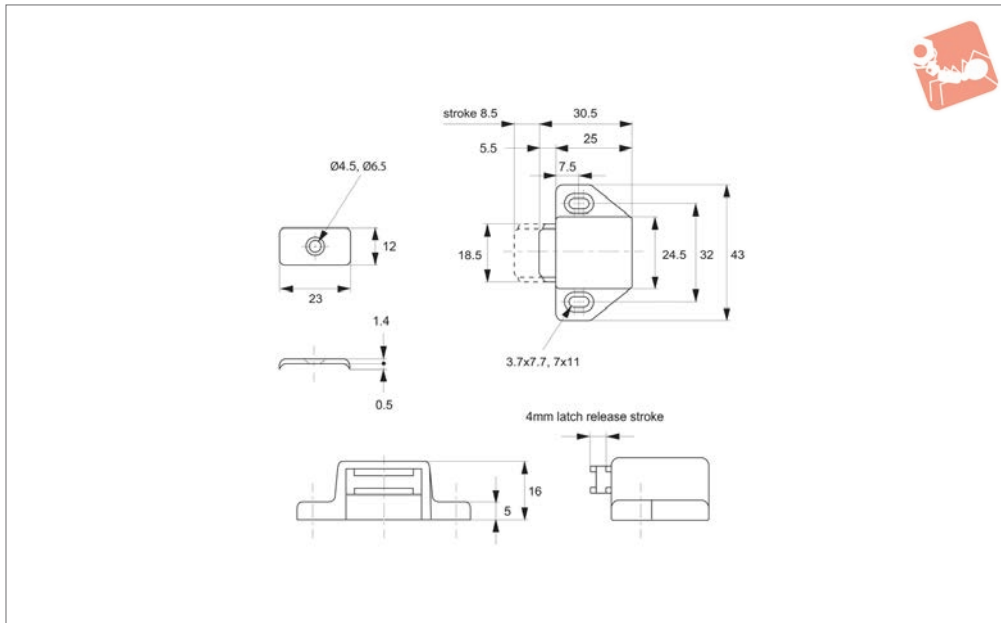
Weight

g
2.5



Magnetic Touch Latches for overlay doors

Catches & Latches



E5000

CATCHES & LATCHES

Material

Body: ABS plastic.
Latch and counter plate: steel, nickel plated.

Technical Notes

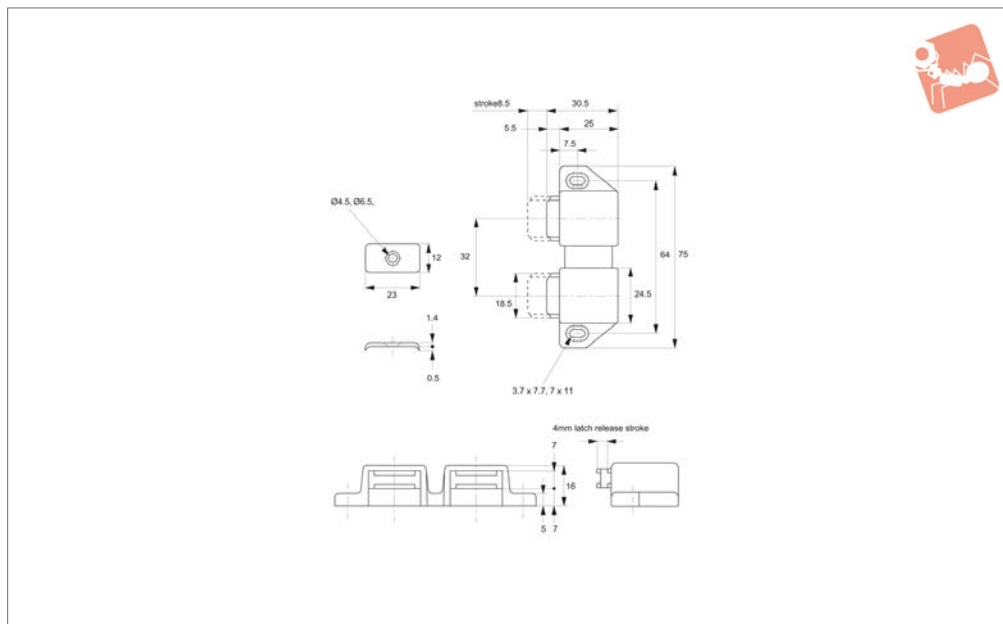
For overlay doors a 4mm gap between the door and cabinet frame is required for the latch release stroke.

Supplied with screws (3.1x13).

Order No.	Finish	Magnetic force kgf	Weight g
E5000.AC0010	White	1.2	22.5
E5000.AC0030	Brown	1.2	22.5



E5100



Material

Body: ABS plastic.
Latch and counter plate: steel, nickel plated.

Technical Notes

For overlay doors a 4mm gap between the door and cabinet frame is required for the latch release stroke.

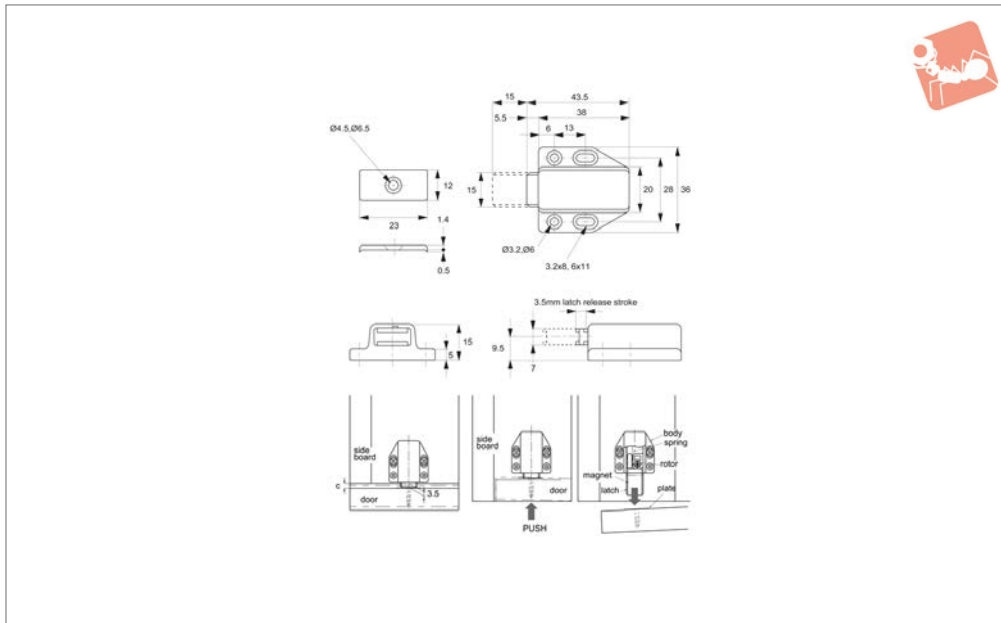
Supplied with screws (3.1x13).

Order No.	Finish	Magnetic force kgf	Weight g
E5100.AC0010	White	1.2	42
E5100.AC0030	Brown	1.2	42



Magnetic Touch Latches for overlay doors

Catches & Latches



E5200

CATCHES & LATCHES

Material

Body: ABS plastic.
Latch and catch plate: steel, yellow zinc chromate.

Technical Notes

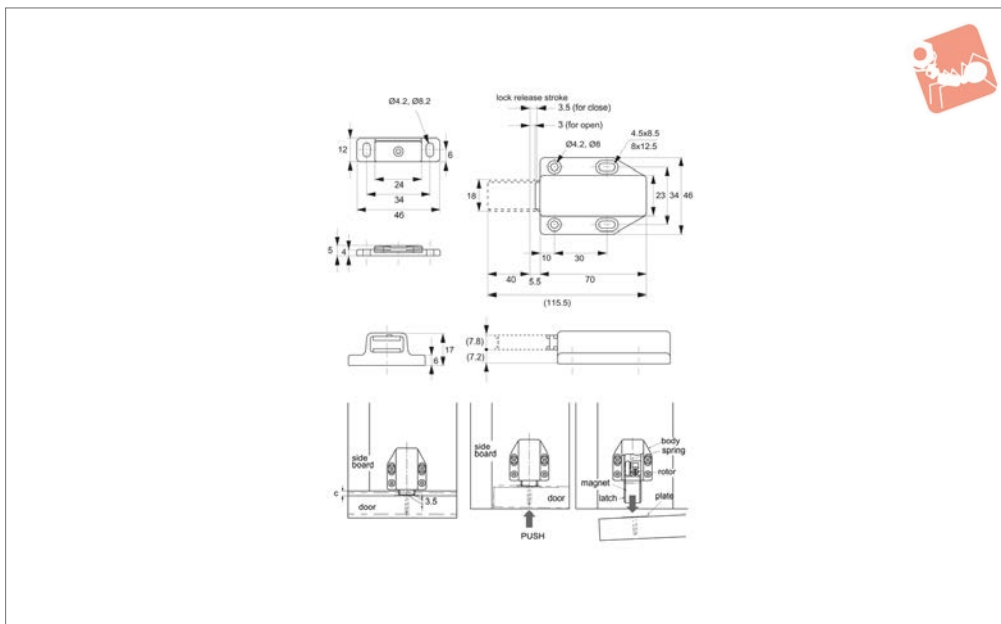
Push to open/close.
For overlay doors, a 3,5mm gap between door and cabinet frame is required for the

latch release stroke.
Supplied with screws (2.7x13)

Order No.	Finish	Magnetic force kgf	Weight g
E5200.AC0010	White	1.6	22
E5200.AC0030	Brown	1.6	22
E5200.AC0020	Black	1.6	22



E5250



Material

Body: ABS plastic.

Latch and catch plate: steel, yellow zinc chromate.

Technical Notes

Push to open/close. For overlay push to

open/close doors, a 3,5mm gap between door and cabinet frame is required for push space.

Tips

E5250 has an extended/long stroke of 40mm to ensure full and positive move-

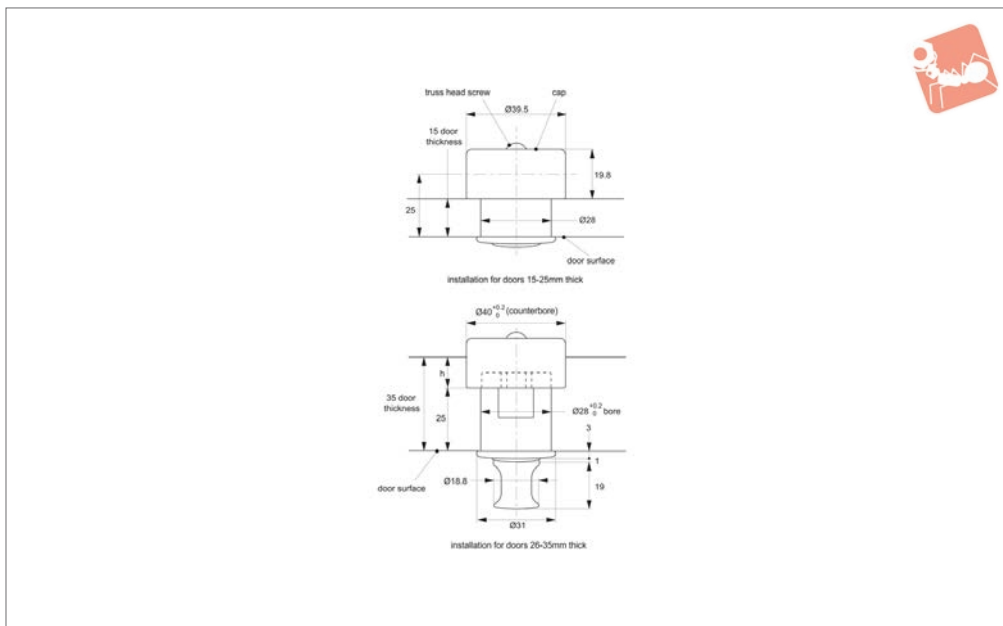
ment of door upon actuation.

Order No.	Finish	Magnetic force kgf	Weight g
E5250.AC0010	White	2.4	53
E5250.AC0030	Brown	2.4	53



Push Knobs no latch

Catches & Latches



E0300

CATCHES & LATCHES

Material

Push knob: zinc alloy, plated gold or chrome.
Body: ABS plastic, black.

35mm.

When installed push knob is near flush with surface, raised only 4mm.
Supplied with screws (M 3x20).

bore is required.

For surfaces 26 to 35mm thick, 40mm dia. counter bore of depth „h“ is required.
h = door thickness - 25mm.

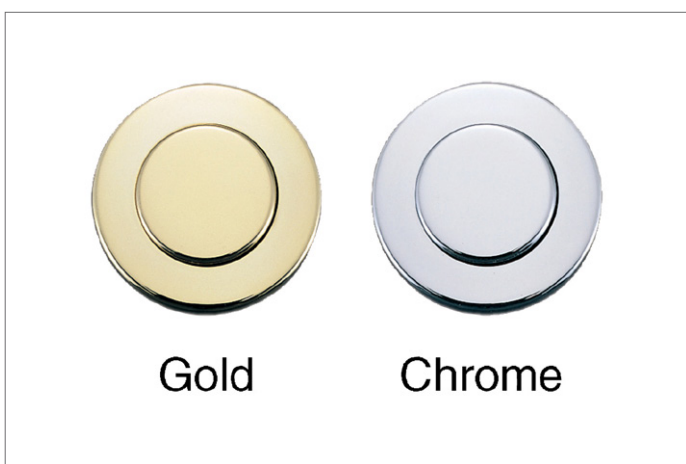
Technical Notes

Suitable for door/wall thicknesses 15 to

Tips

For surfaces 15 to 25mm thick no counter

Order No.	Finish	Weight g
E0300.AC0030	Gold	67
E0300.AC0040	Chrome	67

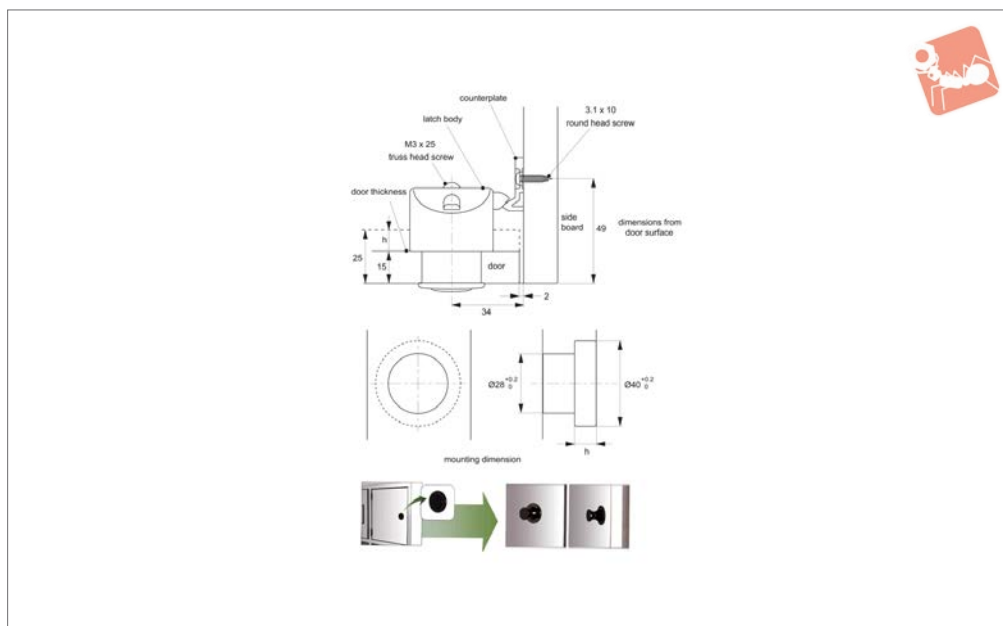


Gold

Chrome



E0800



Material

Push knob: zinc alloy.
Body and catch plate: ABS plastic, black.

Technical Notes

Suitable for door/wall thicknesses 15 to 30mm. For 13mm door use a 2mm plastic spacer (order separately).
When installed the push knob is near flush, raised only 4mm from surface.
Supplied with screws (M 3.1x10 and M

3.1x28), and catch plate.

Tips

To operate the push knob:

- Step 1:** door closed, latch is engaged.
- Step 2:** depress knob to flush position to lock.
- Step 3:** depress knob to the out position to unlock latch.

For surfaces between 15 to 25mm thick no

counter bore is required.

For surfaces from 26 to 35mm thick, 40mm dia. counter bore of depth „h“ is required.
h = door thickness - 25mm.

Important Notes

Do not activate the latch before closing the door, it may damage the unit.
Other dimensions as per E0300 <X\E0300#24>. See diagram for mounting dimensions.

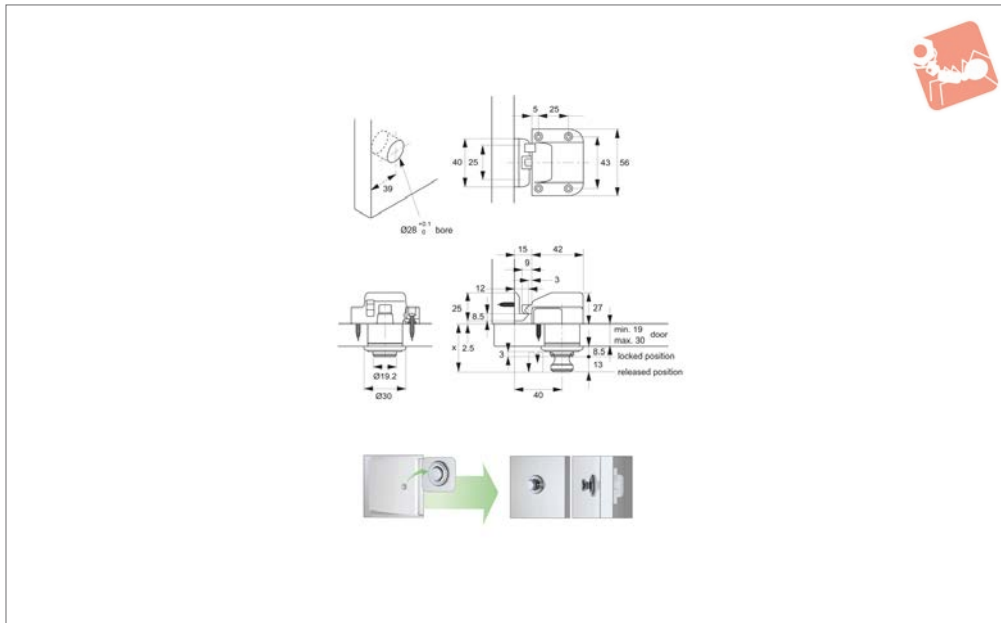
Order No.	Finish	Description	Holding force kg	Weight g
E0800.AC0030	Gold	Push Knob	10	93
E0800.AC0040	Chrome	Push Knob	10	93
E0800.AC0050	Black Nickel	Push Knob	10	93
E0800.AC0720	Black	Spacer 2mm	-	2





Push Knobs with latch - for overlay doors

Catches & Latches



E1400

CATCHES & LATCHES

Material

Push button: brass, finished in chrome, satin nickel, satin or polished brass plating.

Push button base: zinc alloy.

Latch body and catch: polyamide.

Technical Notes

Suitable for door thicknesses 19 to 30mm.

Supplied with stainless steel screw (3x16, 3x20).

Important Notes

For correct positioning of push knob from the door surface refer to dimension „x“ on installation diagram.

„x“ is calculated as:

$$x = \text{door thickness} + 21,5\text{mm}$$

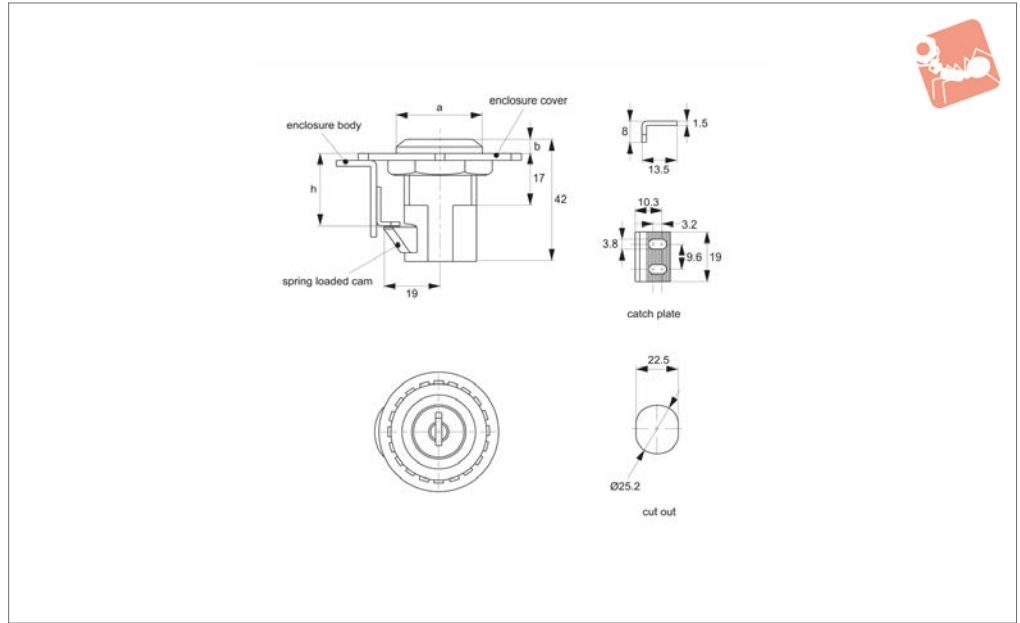
Push knob supplied with two threaded studs of 24mm and 30mm, interchange of stud enables correct positioning of knob to door surface, i.e. dimension „x“.

Order No.	Finish	Holding force kg	Weight g
E1400.AC0040	Chrome	20	103
E1400.AC0060	Satin Nickel	20	103
E1400.AC0070	Satin Brass	20	103
E1400.AC0080	Polished Brass	20	103





E1600



Material

Body: die cast zinc, chrome plated.
Cylinder lock: die cast zinc, chrome plated.
Lock bolt: die cast zinc.

Supplied with: Keys: two per lock.

Not Supplied: Catch Plate: order separa-

tely.

Technical Notes

Suitable for panel thickness 1-15mm.
When installed lock is, 5mm above surface.

On closing of panel, special contour of the spring loaded cam allows it to be guided over the catch plate, then springs back to lock in place. To open panel, actuate key to release cam, and pull. Cam has stroke of approx, 8mm. Order catch plate separately.

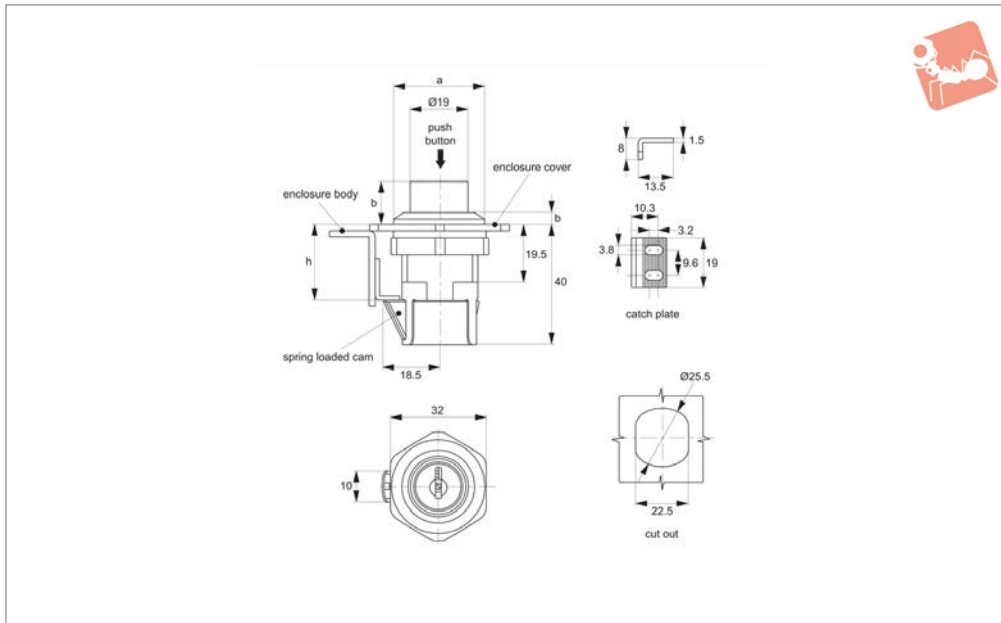
Order No.	Type	Lock type	Key type	a	b	h grip length
E1600.AW0010	Push Lock	Std. Cylinder	Keyed Alike	29	5	25





Push Lock - Spring Loaded Cam - Push standard cylinder lock - fixed grip - polycarbonate

Catches & Latches



E1602

CATCHES & LATCHES

Material

Body: polycarbonate, black.
Cylinder Lock: polycarbonate, black.
Supplied With: Keys: two per lock.
Not supplied: Catch plate: order separately.

Technical Notes

Suitable for door thickness 1-16mm.

Tips

On closing of panel, special contour of the spring loaded cam allows it to be guided

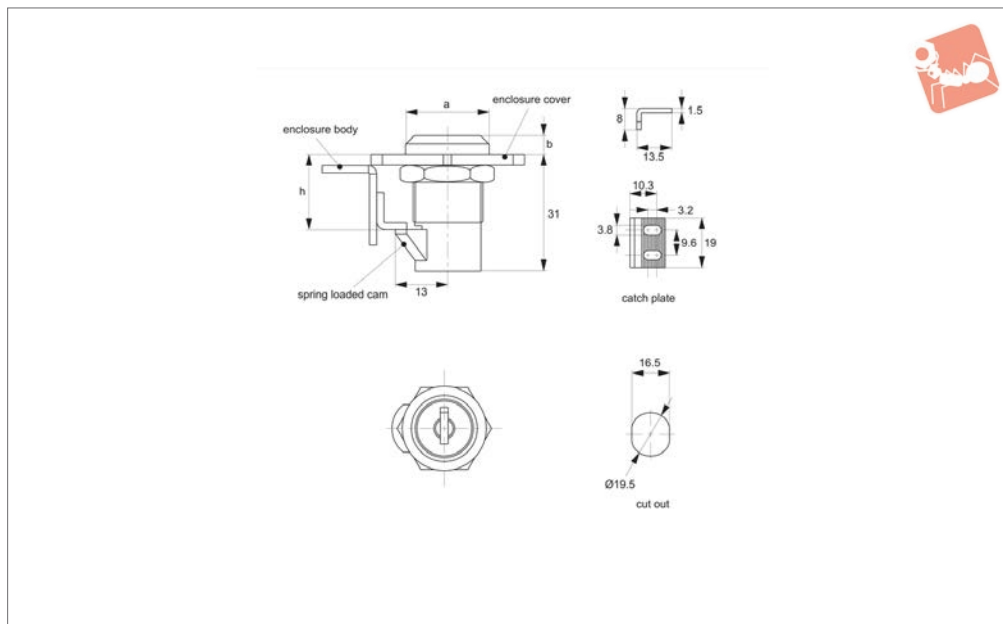
over the catch plate, then springs back to lock in place. To open panel, actuate key and depress push button to release cam then pull to open. Optional finger pull can assist in opening (please order separately). Cam has stroke of approx. 8mm.

Order No.	Type	Lock type	Key type	a	b	h grip length
E1602.AW0010	Push Lock	Std. Cylinder	Keyed Alike	30	4	25





E1604



Material

Body & insert: die cast zinc, chrome plated.
Cylinder lock: die cast zinc, chrome plated with dust cap.

Supplied With: Keys: two per lock.

Not supplied: Catch plated: order separa-

tely.

Technical Notes

On closing of panel, special contour of the spring loaded cam allows it to be guided over the catch plate, then springs back to

lock in place. To open panel, actuate key to release cam and pull. Cam has stroke of approx. 8 mm. Order catch plate separately.

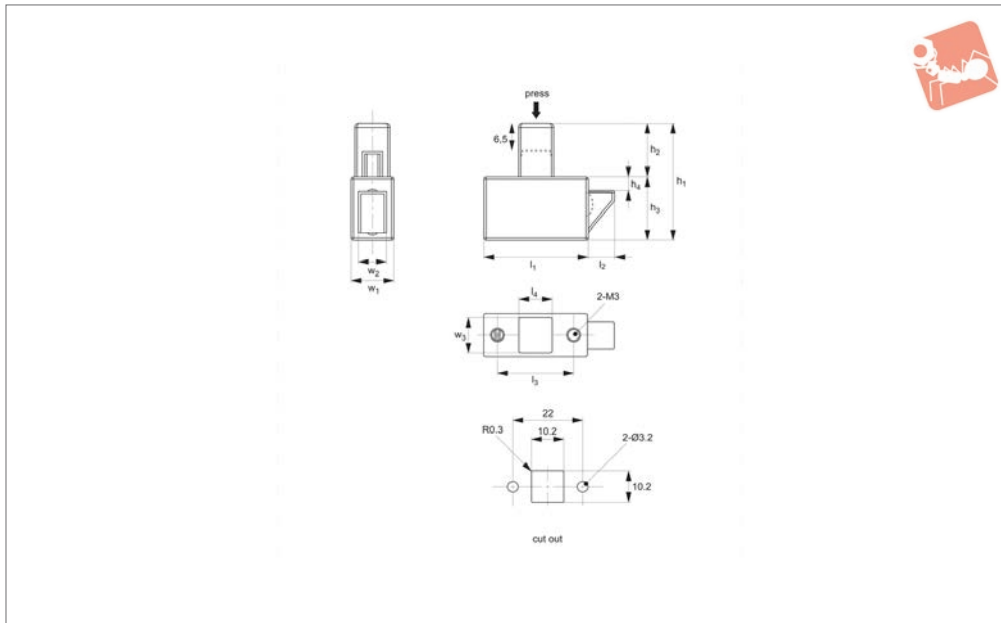
Order No.	Actuation	Lock type	Key type	a	b	h grip length
E1604.AW0010	Push Lock	Std. Cylinder	Keyed Alike	22.5	5	20



Push Latch - Spring Loaded Cam

zinc

Catches & Latches



E1670

CATCHES & LATCHES

Material

Housing & Button: die cast zinc, nickel plated. IP54 rated.

Technical Notes

Mounted under panel surface so only

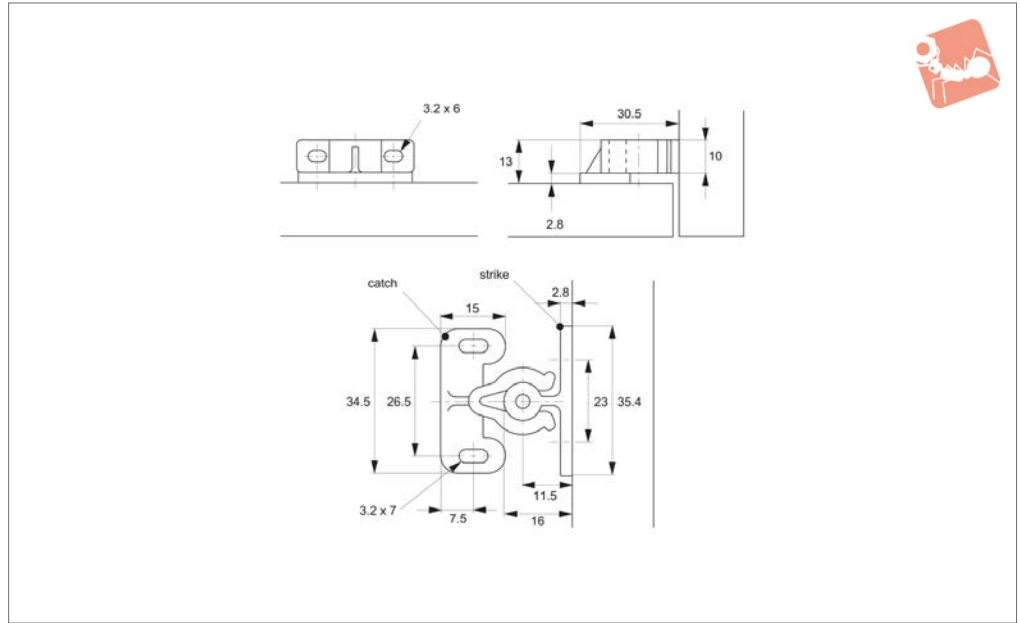
button exposed. Mount with 2 x M 3 screws.

Depress button to retract catch and open panel. Catch has stroke of approx. 7mm.

Order No.	l_1	l_2	l_3	l_4	h_1	h_2	h_3	h_4	w_1	w_2	w_3
E1670.AW0010	30	7	22	10	32.6	15	17.6	4	12	8	10



E2050



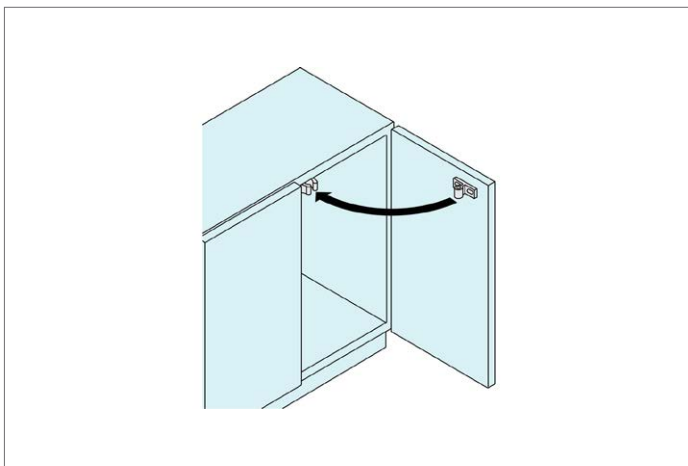
Material

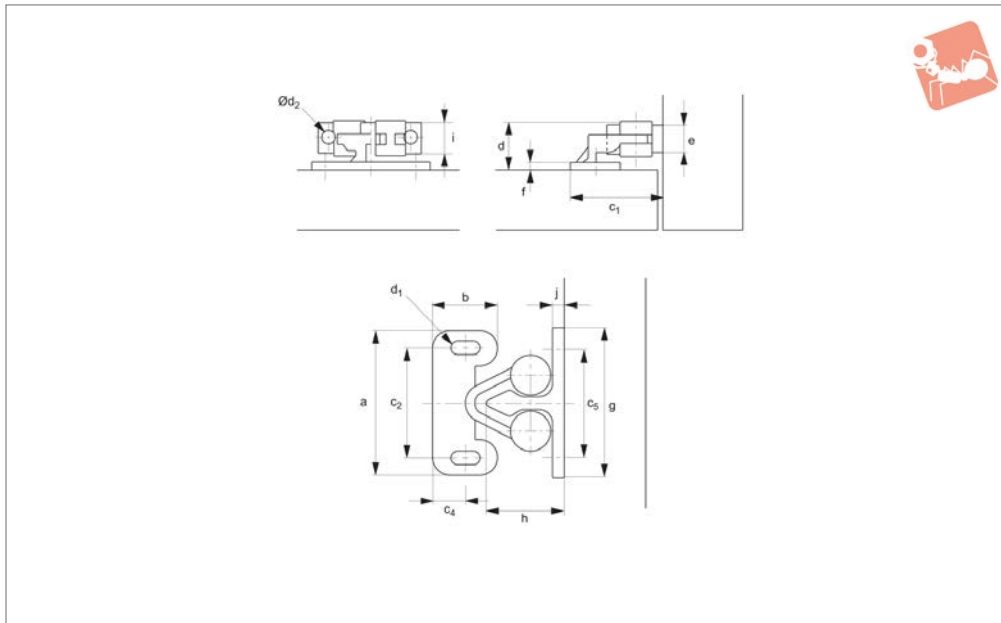
Catch: polyacetal, white.
Strike: polyamide, white.

Technical Notes

Screws not supplied.

Order No.	Push in force kg	Pull out force kg	Weight g
E2050.AC0010	5.7	7.1	4.5





E2070

CATCHES & LATCHES

Material

Strike and catch: polyacetal.
Roller: polyethylene.

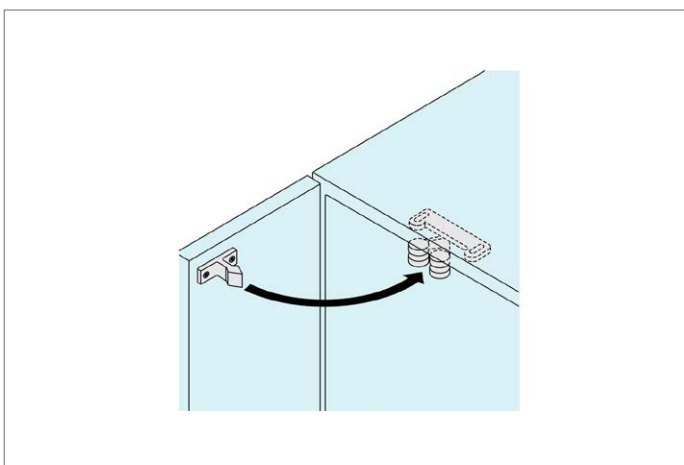
Technical Notes

This catch has been tested to 300,000 cycles.

Screws not supplied.

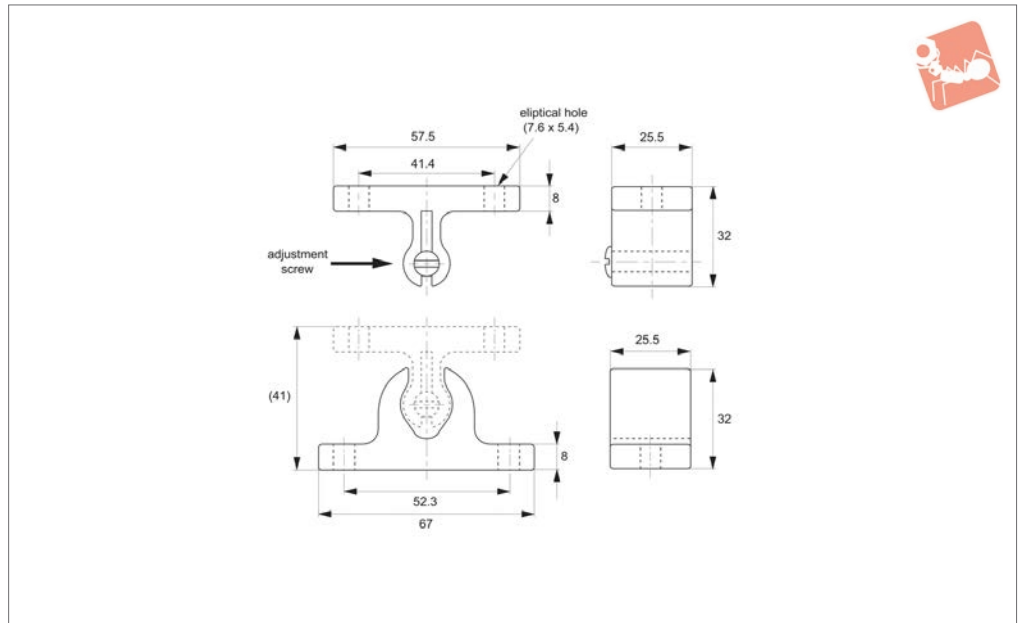
Order No.	Finish	a	Push in force kg	Pull out force kg	b	c ₁	c ₂	c ₃	c ₄	Weight g
E2070.AC0010	White	29.0	1.1	1.6	12	21.2	21.5	6.0	20.0	3
E2070.AC0015	Brown	31.3	2.2	3.2	14	27.2	24.4	7.5	23.6	4

Order No.	d	d ₁	d ₂	e	f	g	h	i	j
E2070.AC0010	11.3	3,1x7	3.0	8	2.0	26	13.5	7.5	1.7
E2070.AC0015	12.6	3,1x7	3.1	9	2.3	32	16.5	9.0	2.0





E2100



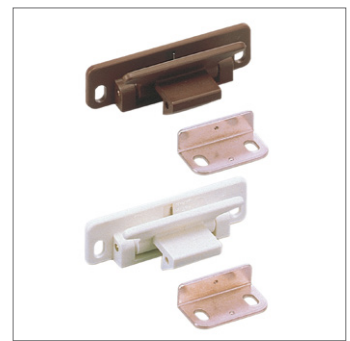
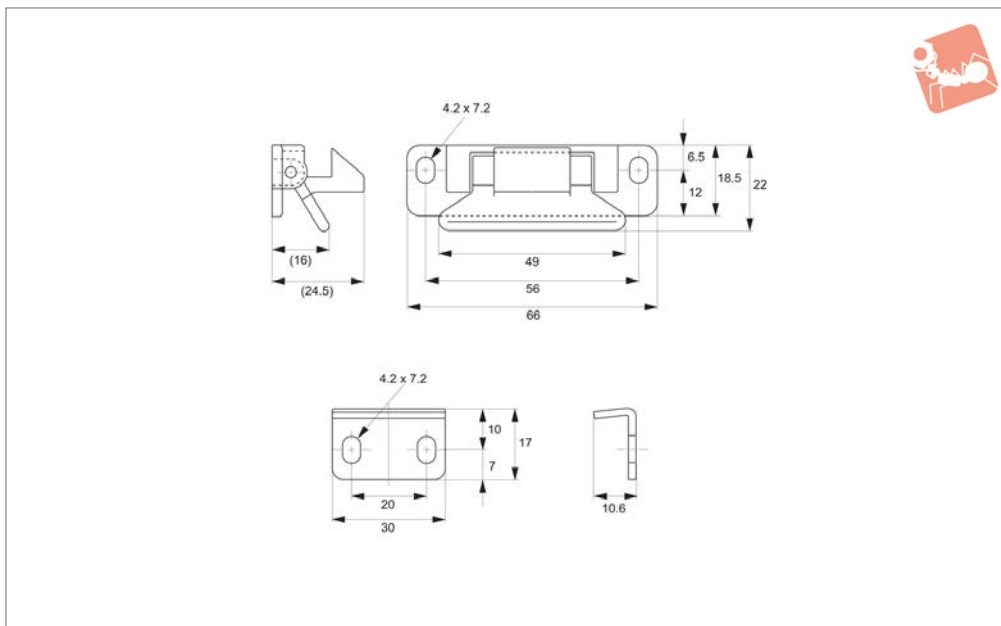
Material
Nylon.

to hold the catch can be varied. Holding force of up to 20Kg.

Technical Notes

By adjusting the screw the force required

Order No.	Finish	Push in force kg min.	Push in force kg kg max.	Pull out force kg min.	Pull out force kg kg max.	Weight g
E2100.AC0010	White	13	27	8	20	42
E2100.AC0020	Black	13	27	8	20	42



E2001

CATCHES & LATCHES

Material

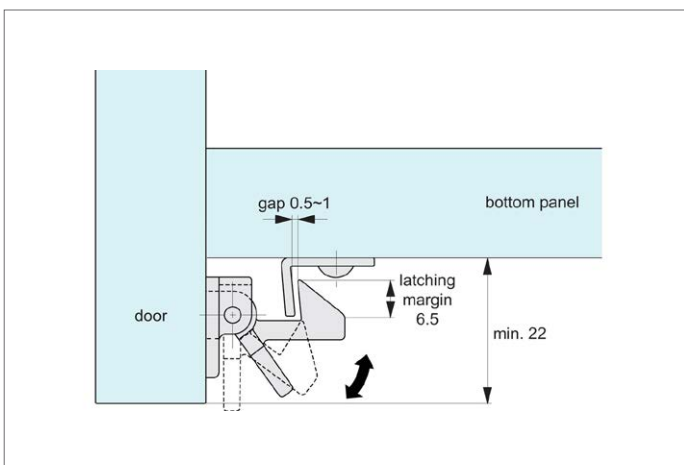
Body: polyamide.
Counterplate: steel.

Technical Notes

Designed for use on door/ panel without handle or knob, to provide concealed

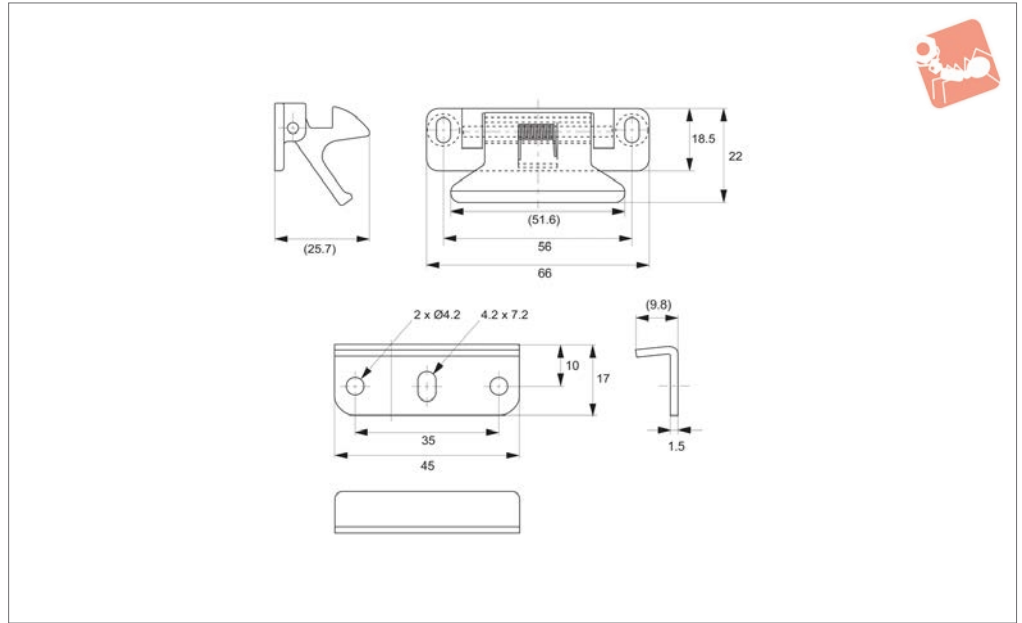
locking of panel.
Screws not supplied.

Order No.	Finish	Holding force kg	Weight g
E2001.AC0010	White	20	25
E2001.AC0020	Brown	20	25





E2002

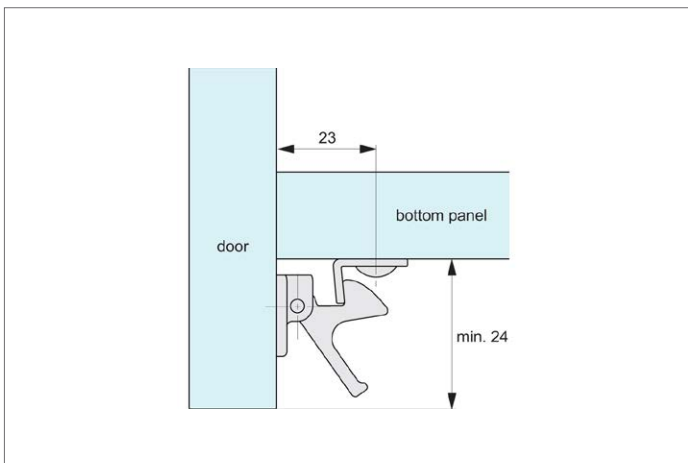


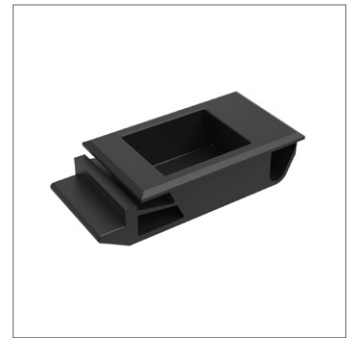
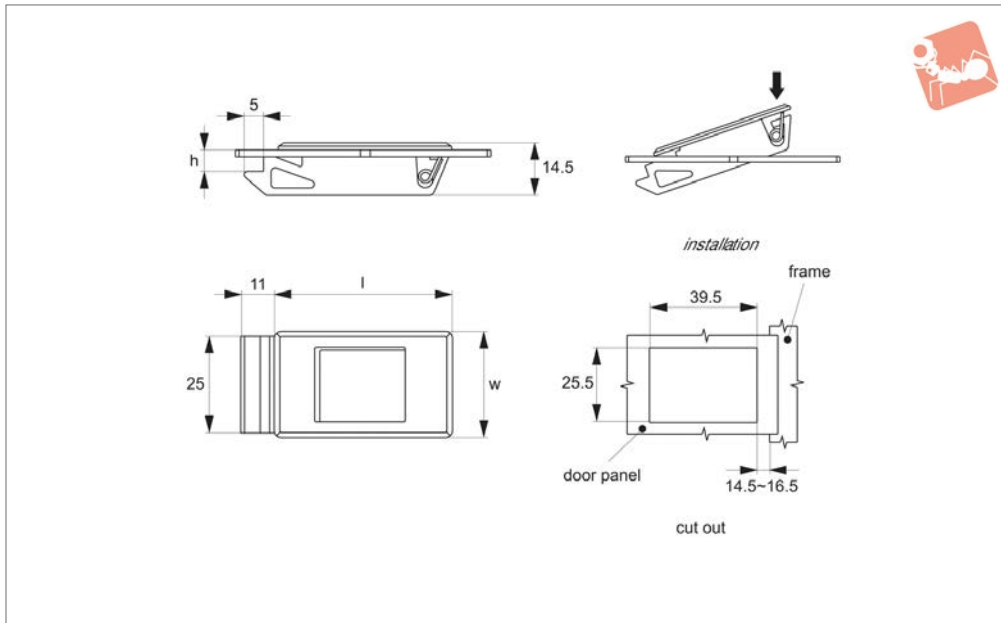
Material
Stainless steel, AISI 316.

Technical Notes
Screws not supplied.

This lever catch is designed for use on door without knob or handle, to provide concealed latching and securing of panel.

Order No.	Finish	Holding force kg	Weight g
E2002.AC0530	Stainless Steel	20	85





E2021

CATCHES & LATCHES

Material

ABS plastic resin, stainless steel spring.

2mm. Ideal for small metal machinery covers.

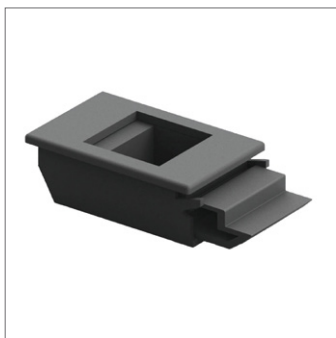
Technical Notes

Suitable for panel thickness 1.5mm or

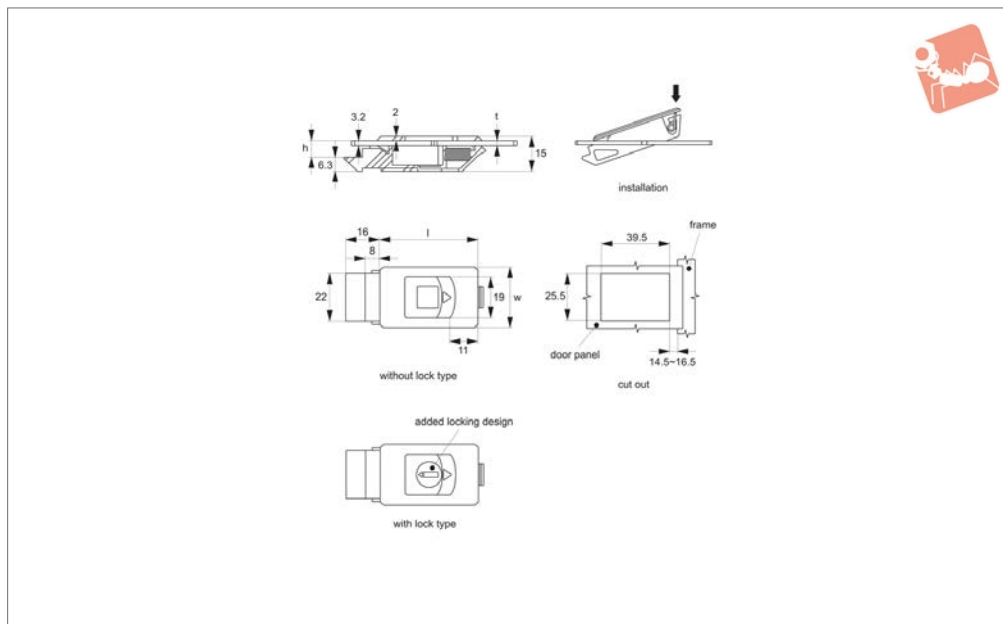
Pull back latch to open panel, release and latch is returned due to internal spring.

Order No.	Colour	For panel thickness	h grip length	l	w
E2021.AW0010	Grey	1.5	6	47	28
E2021.AW0020	Black	1.5	6	47	28
E2021.AW0310	Grey	2.0	6	47	28
E2021.AW0320	Black	2.0	6	47	28





E2031



Material

ABS plastic and stainless steel spring.

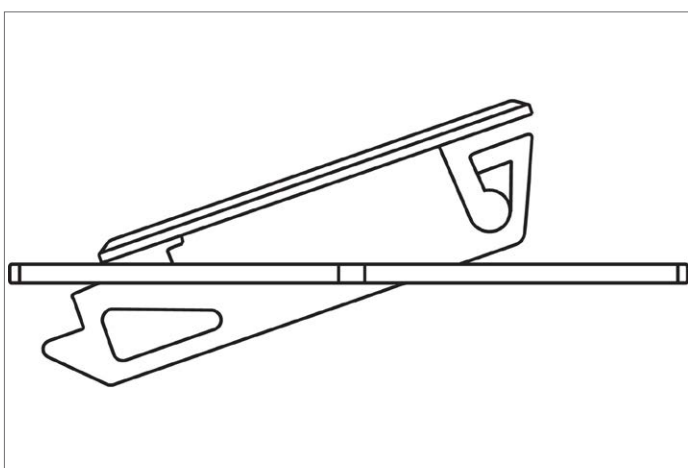
Technical Notes

Ideal for small metal machinery covers.

Uniquely different from our standard slide latch E2021 in the addition of an internal release catch - hence this latch does not slide over surface in order to actuate.

Suitable for panel thickness 1 - 2 mm.

Order No.	Colour	Type	Panel thickness min. max.	h grip length	l	w
E2031.AW0010	Grey	W/o Lock	1-2	6.7	45	28
E2031.AW0020	Black	W/o Lock	1-2	6.7	45	28
E2031.AW0310	Grey	With Lock	1-2	6.7	45	28
E2031.AW0320	Black	With Lock	1-2	6.7	45	28

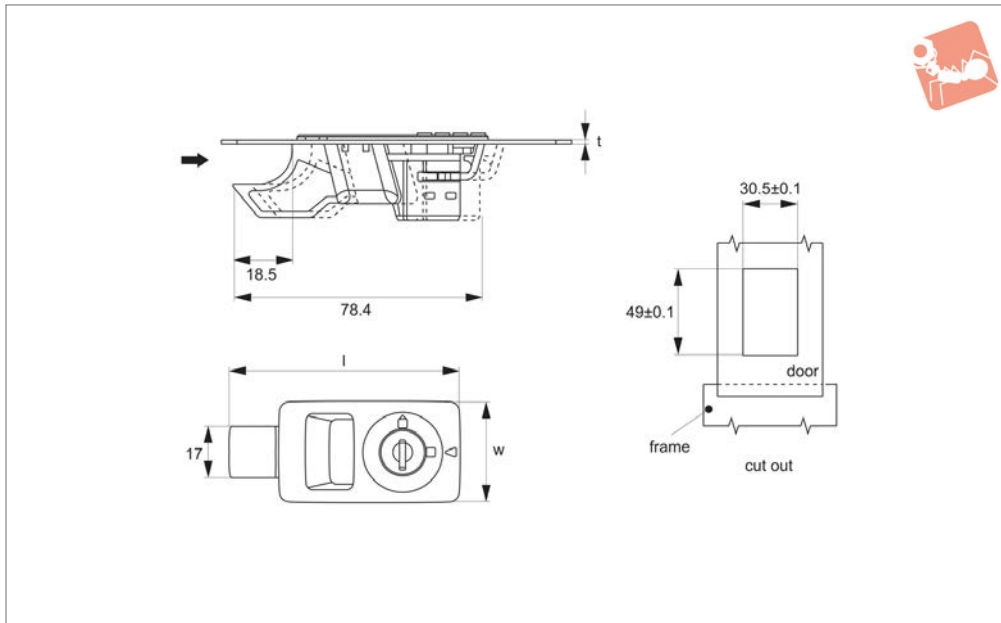




Touch Latches - Flush

snap-in installation - with secondary lock

Catches & Latches



E2034

CATCHES & LATCHES

Material

ABS material, black.

Supplied with: Key.

Technical Notes

Suitable for panel thickness 1.8 - 2.1mm.

Insert and turn key 90° to retract cam and release. Cam stroke of 6,5mm.

user.

Tips

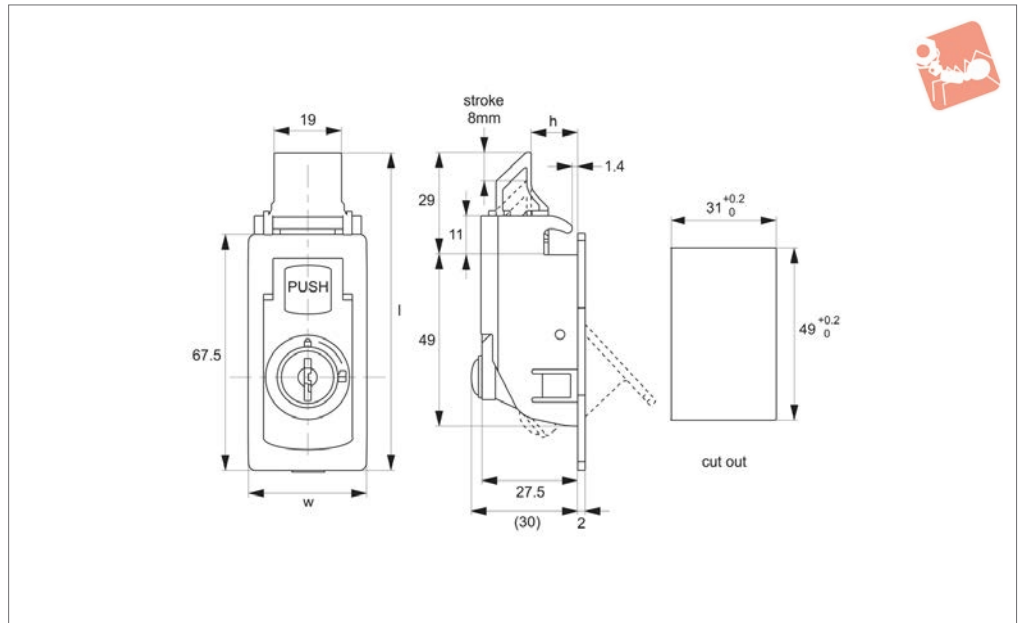
Ideal for small metal machinery covers.

Not included: Catch plate - designed by

Order No.	Type	t panel thickness min. max.	l	w	Catch stroke
E2034.AW0010	With Lock	1,8 - 2,1	75.8	34	6.5



E2036



Material

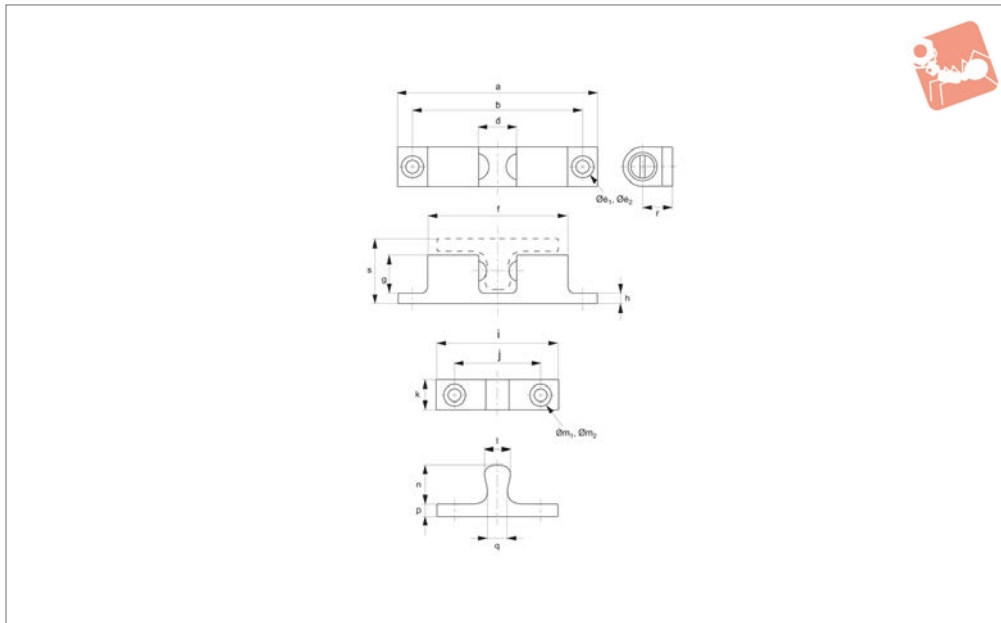
Polyamide, plastic (PA), black
Supplied with: Keys: two per lock.

Tips

Insert key, turn 90° to release handle, depress handle as indicated to lift handle

and release cam. Ideal for small metal machinery covers. Cam has stroke of 8mm.

Order No.	Type	Panel thickness	h grip length	l	w	Catch stroke
E2036.AW0010	With Lock	1.4	13.3	90.55	34	8



E4000

CATCHES & LATCHES

Material

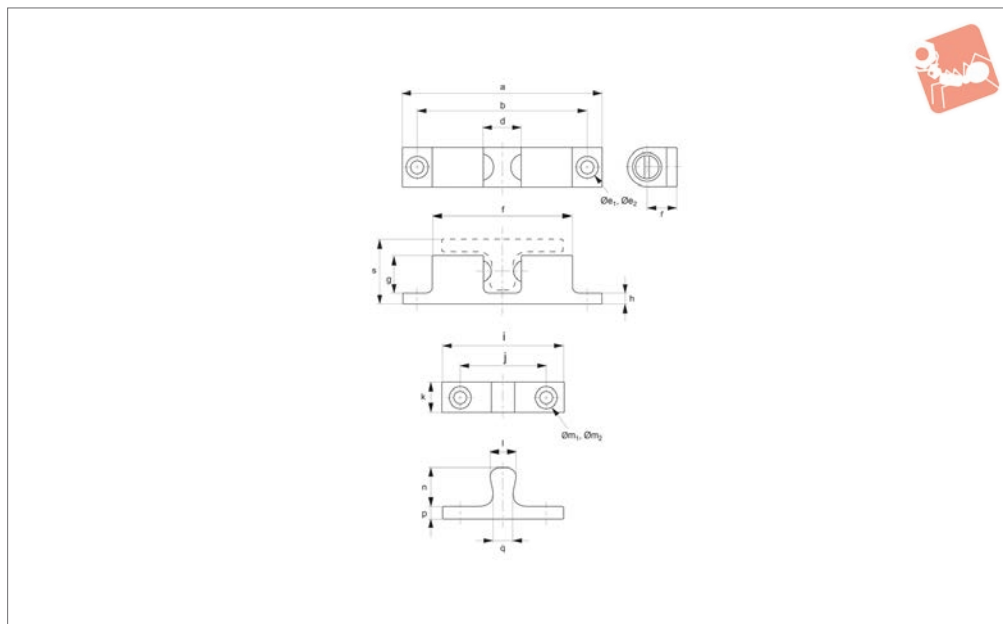
Body: zinc alloy, chrome finish.
Ball: ball bearing stainless steel.

Order No.	Push in force kgf		Pulling force kgf		a	b	c	d	Ø e ₁	Ø e ₂	Weight g			
E4000.AC0040	4.4		3.0		42.5	35	8.0	6.3	3.2	6.2	16			
E4000.AC0050	4.1		3.3		50.0	40	10.0	8.4	4.2	8.2	26			
E4000.AC0070	4.6		3.5		70.0	60	13.5	13.0	4.2	8.2	70			

Order No.	f	g	h	i	j	k	l	Ø m ₁	Ø m ₂	n	p	q	r	s
E4000.AC0040	26.7	7.5	2.5	25	16	7.5	5.5	3.2	6.2	8.8	2.5	3.7	6.5	14.0
E4000.AC0050	29.8	9.5	3.0	30	20	9.0	7.3	4.2	8.2	9.8	2.5	4.7	7.4	16.0
E4000.AC0070	49.0	13.0	4.0	42	30	10.5	11.0	4.2	8.2	14.2	3.0	8.2	11.0	21.2



E4100



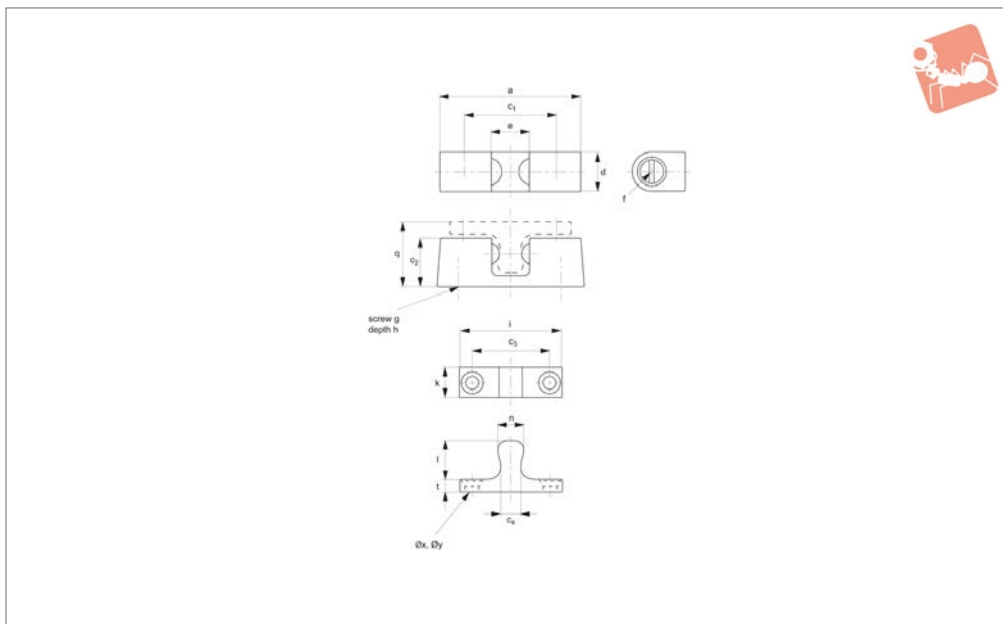
Material

Body: stainless steel, AISI 316, polished.

Ball: ball bearing stainless steel.

Order No.	Push in force kgf		Pulling force kgf		a	b	c	d	e ₁	e ₂	Weight g			
E4100.AC0040	2.0	1.3	43	35	8	5.9	3.2	6.2	18					
E4100.AC0050	2.3	1.8	50	40	10	7.5	4.2	8.2	30					
E4100.AC0070	5.7	3.9	70	60	13	13.0	4.2	8.2	83					

Order No.	f	g	h	i	j	k	l	m ₁	m ₂	n	p	q	r	s
E4100.AC0040	28.4	7.5	2.5	25	16	7.5	4.5	3.2	6.2	8.5	2.5	2.7	6.0	13.5
E4100.AC0050	31.5	9.3	2.9	30	20	9.0	6.0	4.2	8.2	10.3	2.9	3.8	7.7	15.9
E4100.AC0070	51.0	13.0	4.0	42	30	10.5	10.0	4.2	8.2	15.0	4.0	8.0	10.5	23.0



E4300

CATCHES & LATCHES

Material

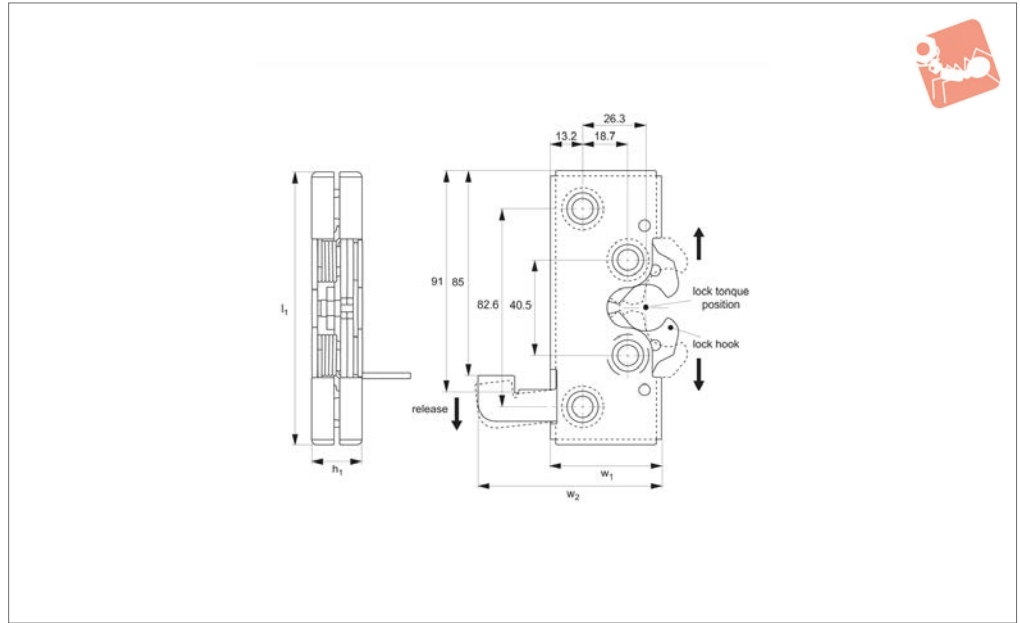
Body: zinc alloy, chrome finish.
Ball: ball bearing stainless steel.

Order No.	Push in force kgf	Pulling force kgf	a	c ₁	c ₂	c ₃	c ₄	d	e	Weight g
E4300.AC0040	3.6	2.4	28.5	20	12.5	16	3.0	8.3	6.5	18
E4300.AC0070	4.1	3.9	48.0	34	20.5	32	7.3	13.5	12.7	75

Order No.	f	g	h	i	k	l	n	q	t	x	y
E4300.AC0040	R4,0	M 3	5	24	8	9	5	15.7	3	3.2	6.2
E4300.AC0070	R6,5	M 5	6	42	11	13	10	24.9	4	4.2	8.2



E4500



Material
steel, zinc plated

Technical Notes
Robust latch for doors and panels. The

rotary action of the locking jaws provides secure fastening in a push-to-close action. Suitable for entry doors, engine covers, baggage doors and access panels.

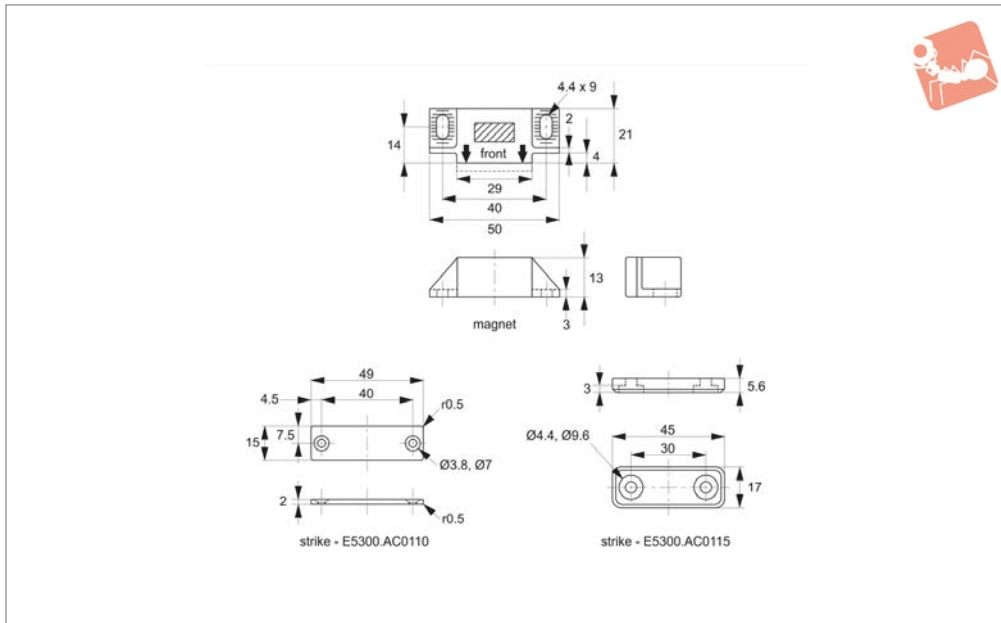
Tips
Push to close. Actuation of lever releases lock hook to allow opening.

Order No.	h_1	l_1	w_1	w_2	Load N max.
E4500.AW0010	21	114	46	75.7	10.000



Magnetic Catches - Hermetically for clean room and medical environments

Catches & Latches



E5300

CATCHES & LATCHES

Material

Body: polyacetal.
Magnet: neodymium.
Strike plate: stainless steel, AISI 304,

especially treated for magnetism; or sealed
strike plate in polyacetal.

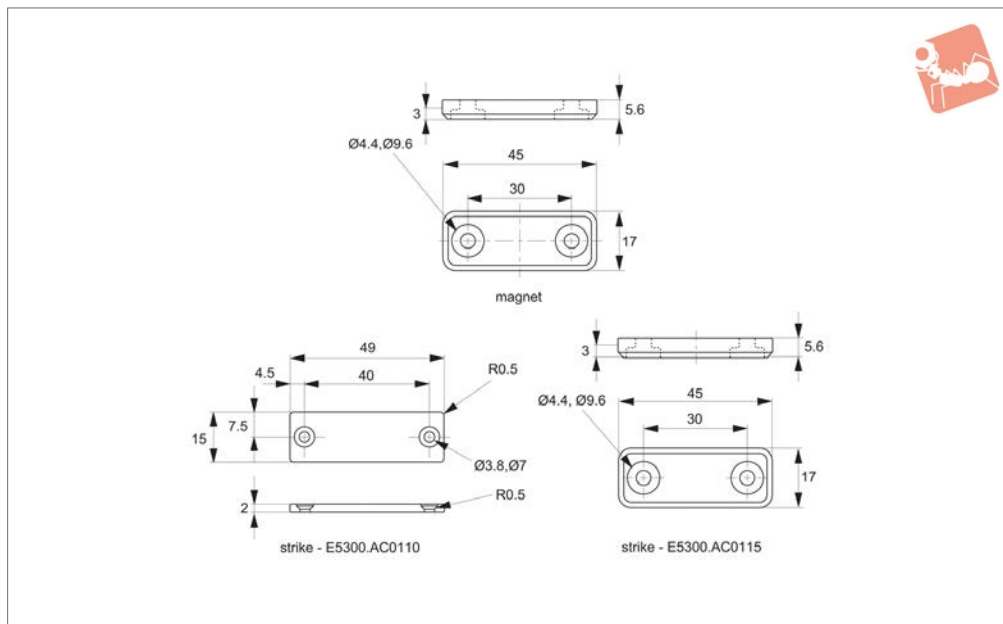
Technical Notes

For clean room and medical environment,
hermetically sealed.

Order No.	Type	Magnetic force kgf	Finish	Weight g
E5300.AC0010	Magnet	3	White	21.0
E5300.AC0020	Magnet	3	Black	21.0



E5320



Material

Magnet body: polyacetal.

Magnet: neodymium.

Strike plate: stainless steel, AISI 304,

specialy treated for magnetism; or sealed
strike plate in polyacetal.

Technical Notes

Ideal for clean room and medical environments, hermetically sealed.

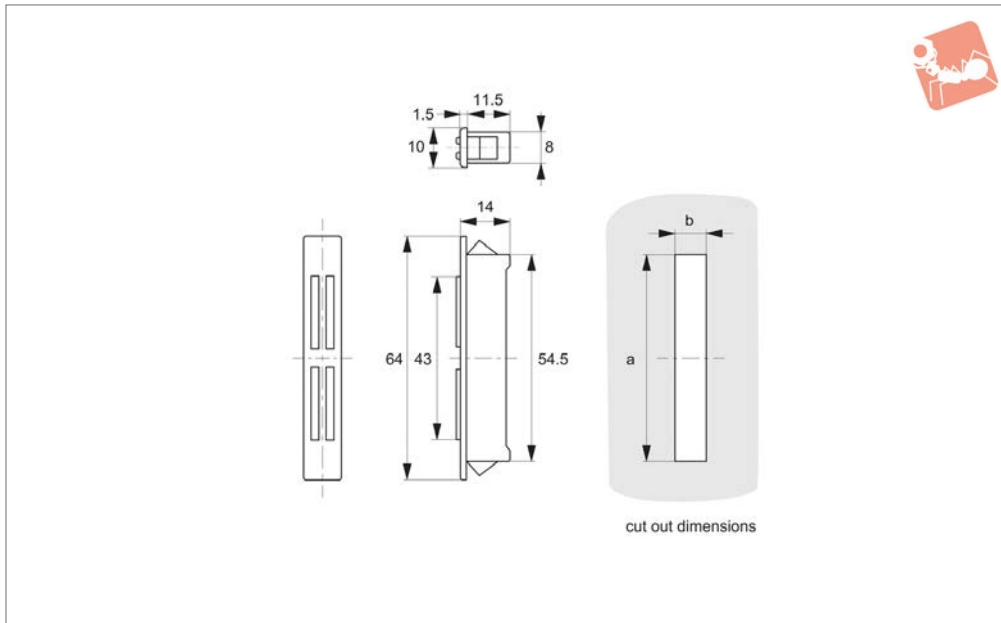
Order No.	Type	Magnetic force kgf	Finish	Weight g
E5320.AC0010	Magnet	3.0	White	9



Magnetic Catches

snap-in type

Catches & Latches



E5400

CATCHES & LATCHES

Material

Body: ABS plastic, white.
Yoke: steel.

door thickness, see installation table below.

Technical Notes

Dimensions a and b are dependant upon

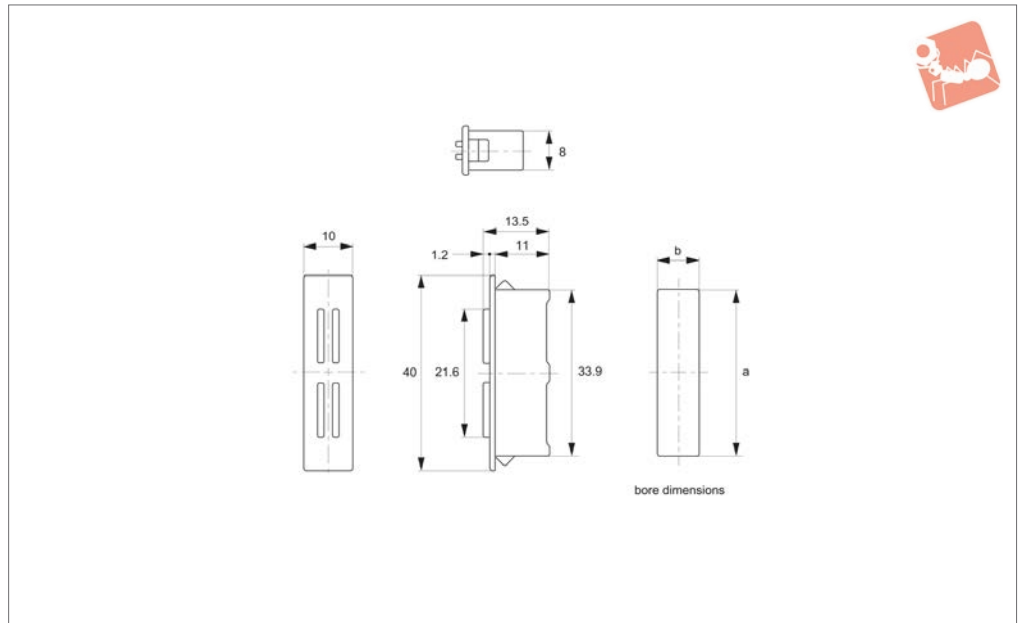
Tips

Snap-in type magnet for easy installation, especially for sheet metal application.

Order No.	Magnetic force kgf	Weight g
E5400.AC0010	6	18



E5450



Material

Body: ABS plastic.
Yoke: steel.

Magnet: neodymium.

door thickness, see installation table below.

Technical Notes

Dimensions a and b are dependant upon

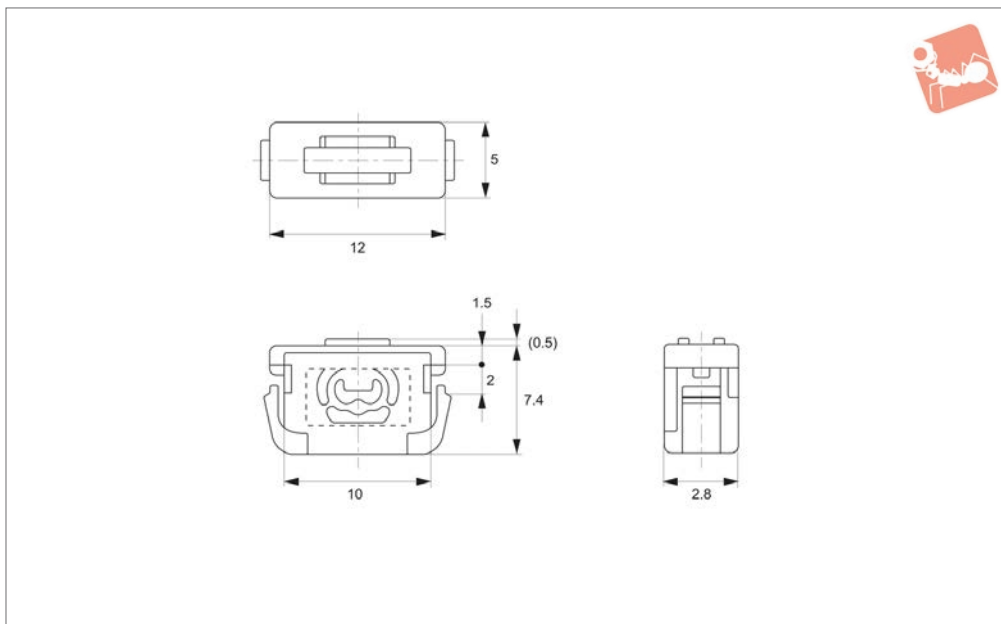
Order No.	Magnetic force kgf	Finish	Weight g
E5450.AC0010	4.5	White	9
E5450.AC0020	4.5	Black	9



Mini Magnetic Catches

snap-in type

Catches & Latches



E5600

CATCHES & LATCHES

Material

Body: polyamide.
Yoke: steel.

Technical Notes

Suitable for doors 1,5 to 2mm thick.

Order No.

E5600.AC0010

Magnetic force

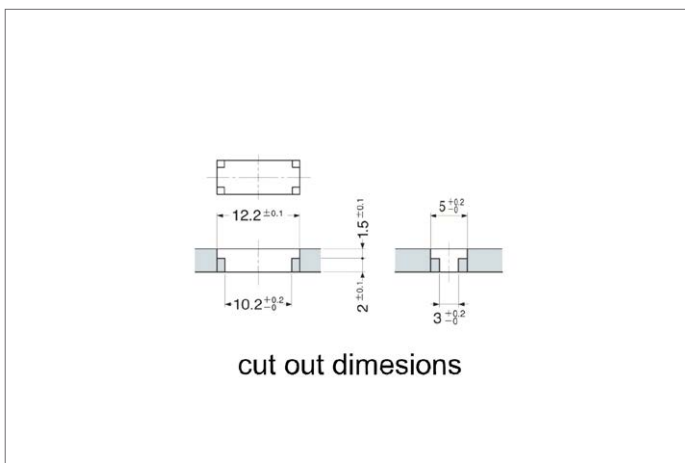
kgf

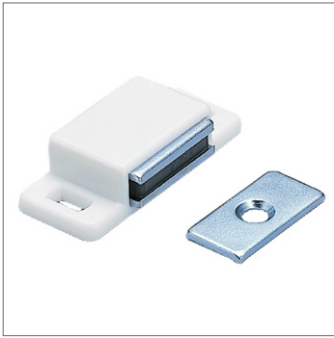
0,25-0,50

Weight

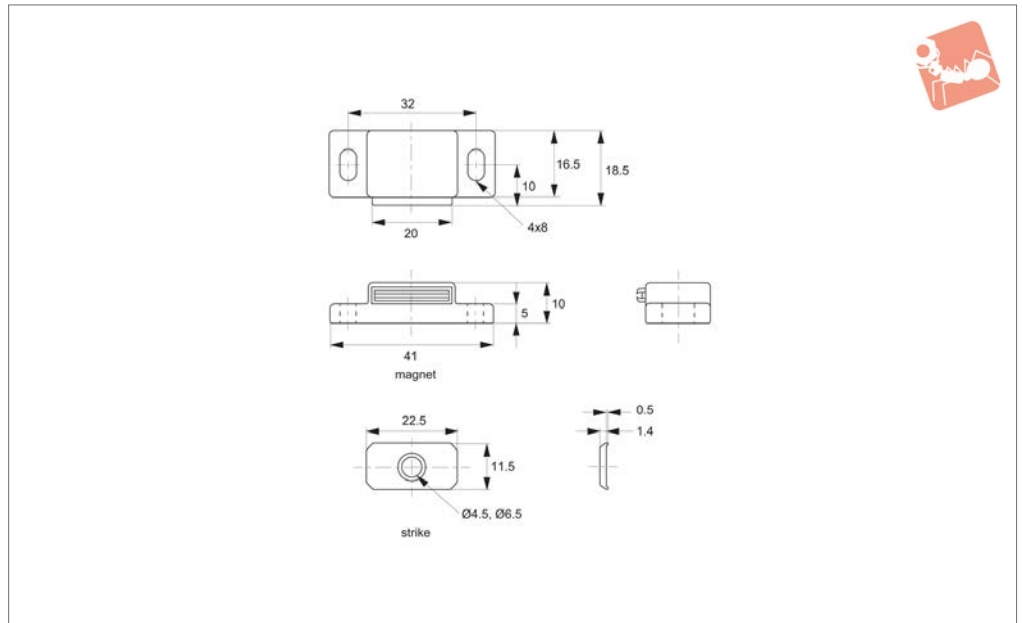
g

1





E5650



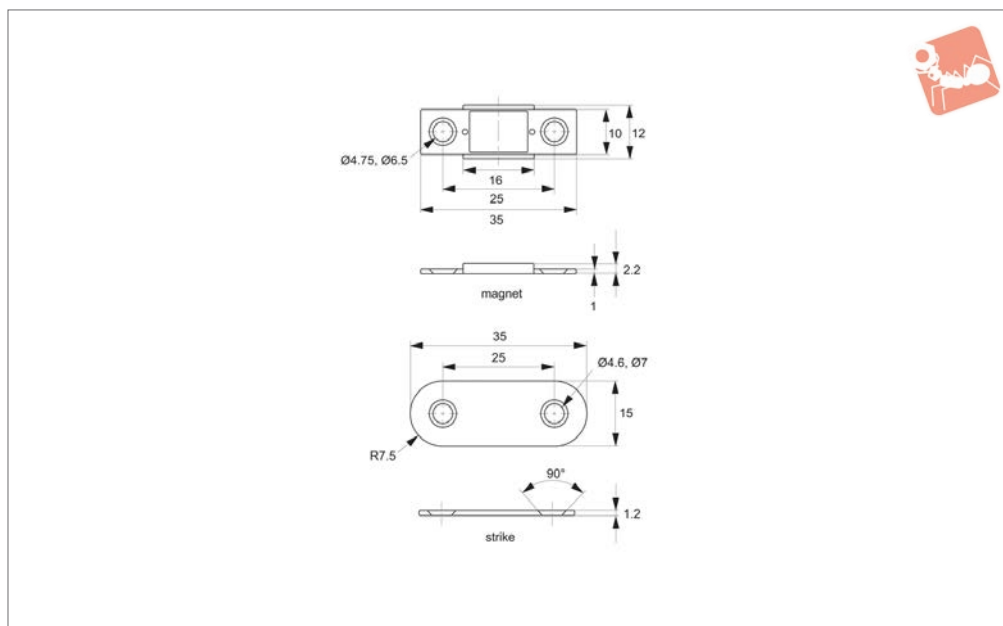
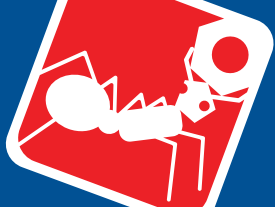
Material

Body: polypropylene.
Strike: steel.

Technical Notes

Screws not supplied.
Magnet and strike supplied together.

Order No.	Magnetic force kgf	Finish	Weight g
E5650.AC0010	1.5	White	12
E5650.AC0015	3.5	White	12
E5650.AC0020	1.5	Black	12
E5650.AC0025	3.5	Black	12



E5670

CATCHES & LATCHES

Material

Base & counter strike: steel.
Magnet: neodymium.

2mm thick. Maximum temperature 80°C. To avoid damage, counter plate should not hit magnet. Screw heads need to be flush with the base plate to ensure effective operation.

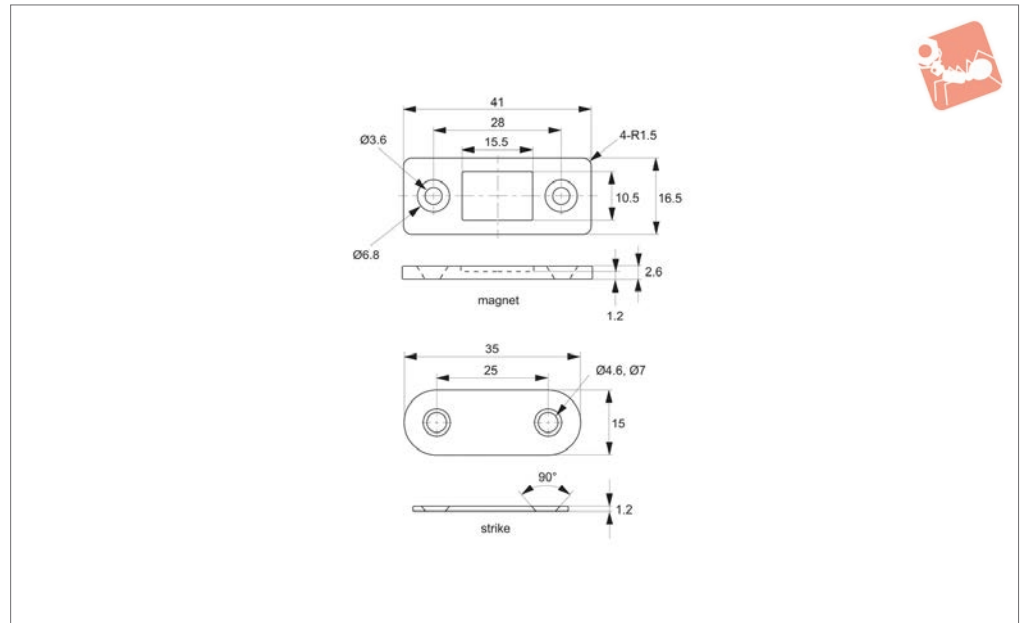
Technical Notes

Magnet and strike supplied together. Only

Order No.	Type	Magnetic force kgf	Weight g
E5670.AC0010	Magnet	2.7	7.5



E5680



Material

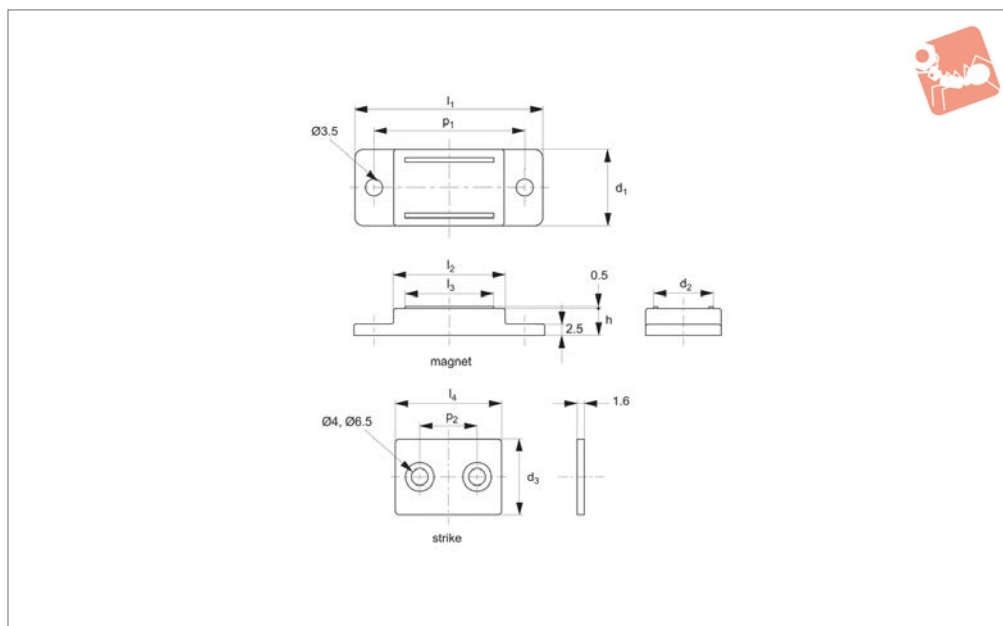
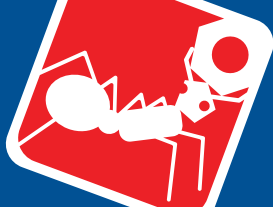
Body & yoke: steel, nickel plated.
Magnet: neodymium

Technical Notes

Ultra thin with extra strong magnetic force. Max.temperature 80°C. To avoid

damage, counterplate should not hit magnet.

Order No.	Type	Magnetic force kgf	Weight g
E5680.AC0010	Magnet	4.0	12
E5680.AC0110	Strike Plate	-	4



E5690

CATCHES & LATCHES

Material

Body: ABS plastic.

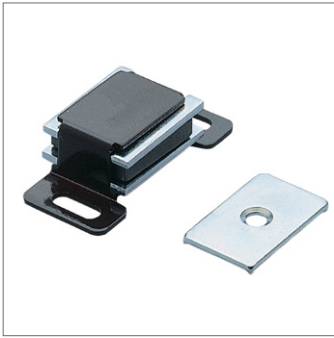
Yoke and counter plate: steel.

Magnet: ferrite.

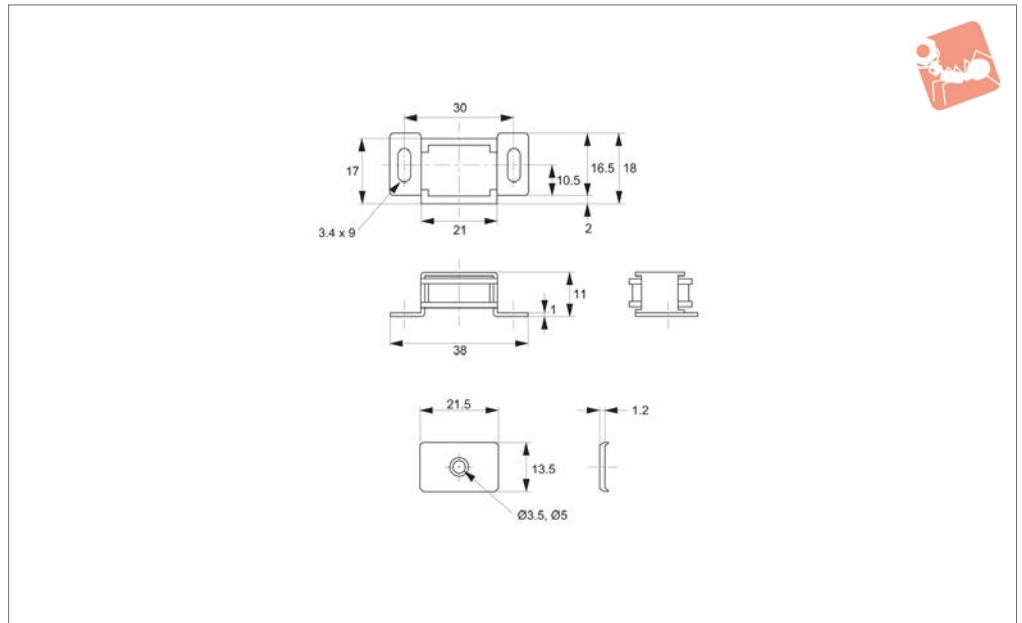
Technical Notes

Magnet and Strike supplied together.

Order No.	Magnetic force kgf	Finish	l ₁	l ₂	l ₃	l ₄	d ₁	d ₂	d ₃	p ₁	p ₂	h	Weight g
E5690.AC0010	5	Ivory	64	46	42	45	24.5	21.0	24	55	30	7.0	48
E5690.AC0012	3	Ivory	53	35	31	34	23.5	20.0	23	44	20	6.2	32
E5690.AC0014	1	Ivory	43	25	20	24	17.0	13.5	17	34	13	6.0	14
E5690.AC0020	5	Black	64	46	42	45	24.5	21.0	24	55	30	7.0	48
E5690.AC0022	3	Black	53	35	31	34	23.5	20.0	23	44	20	6.2	32
E5690.AC0024	1	Black	43	25	20	24	17.0	13.5	17	34	13	6.0	14



E5700



Material

Body: aluminium alloy, browned.
Yoke and strike: steel, clear zinc chromate.

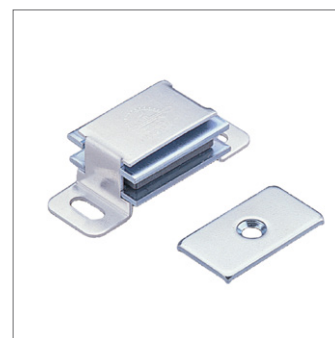
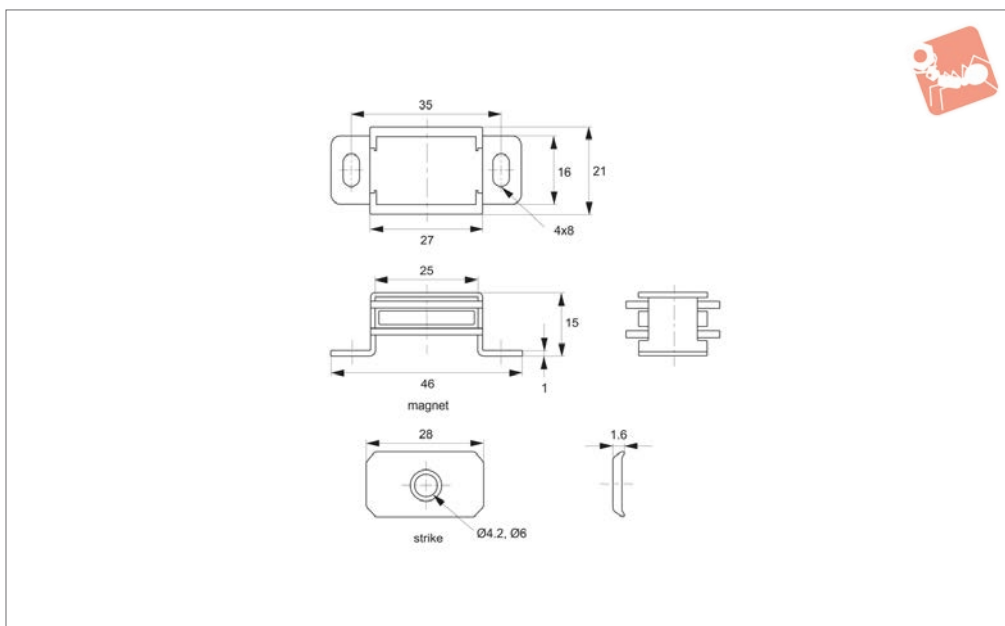
Technical Notes

Supplied with fitting screws.
Magnet and strike supplied together.

Order No.
E5700.AC0010

Magnetic force
kgf
0.8

Weight
g
17



E5750

CATCHES & LATCHES

Material

Body: aluminium alloy, natural.
Yoke and strike: steel, clear zinc chromate.

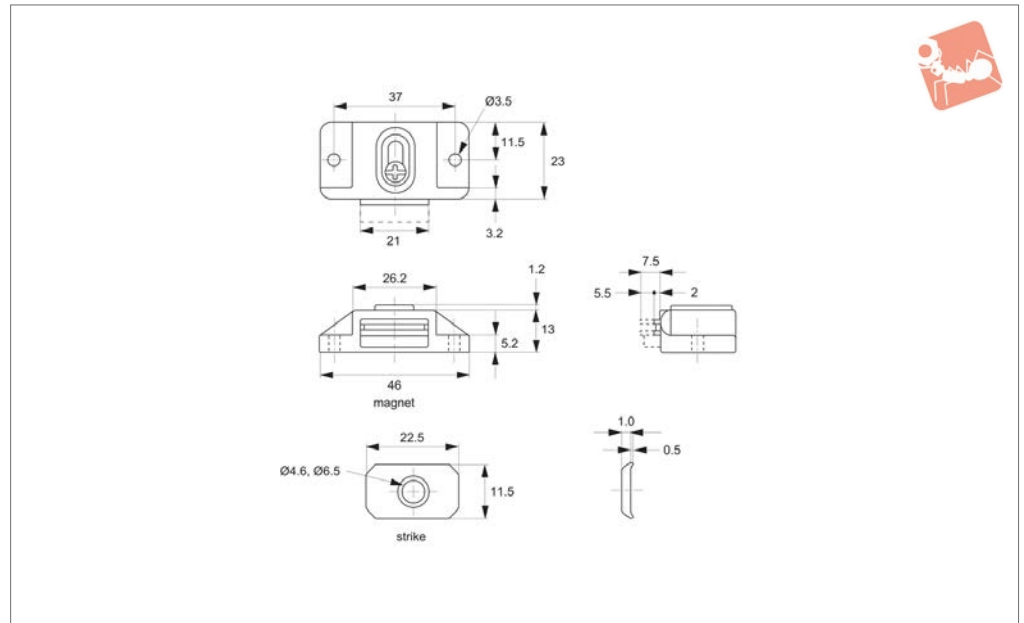
Technical Notes

Magnet and strike supplied together.

Order No.	Magnetic force kgf	Weight g
E5750.AC0010	1.5	28.5



E5800



Material

Body: ABS plastic.
Yoke: steel.

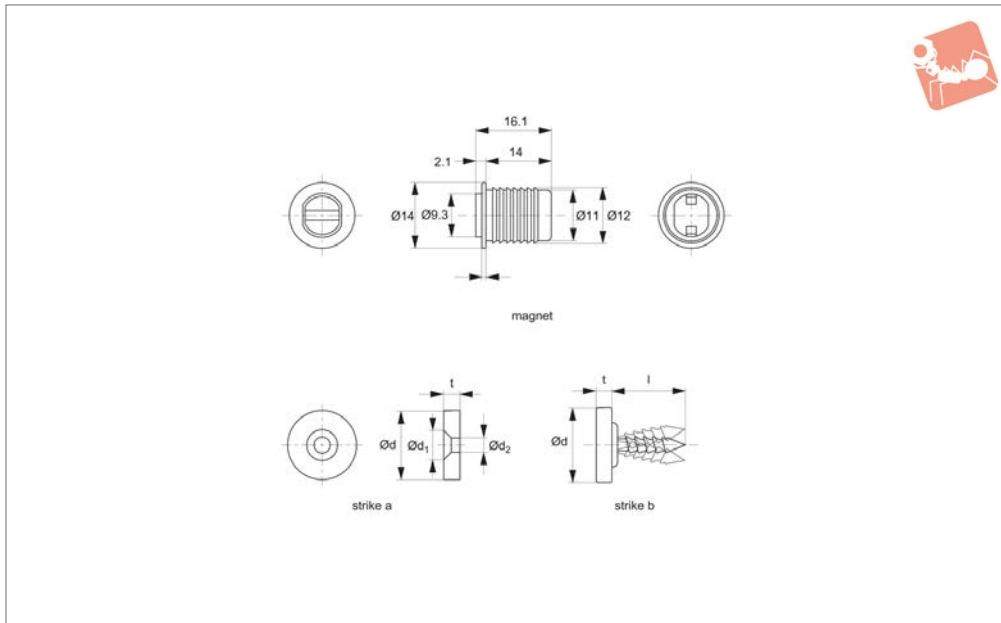
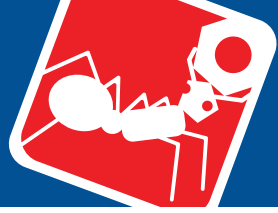
Technical Notes

Position of the magnet is adjustable by up to 5,5mm.

Supplied with screws (3,1x13).

Magnet and Strike supplied together.

Order No.	Magnetic force kgf	Finish	Weight g
E5800.AC0010	3	Ivory	18
E5800.AC0020	3	Black	18



E5850

Material

Body: polypropylene.

Yoke: steel.

Strike: steel, nickel or chrome plated.

b, to suit your application.

Moveable magnet enables better positioning to ensure full surface contact with strike, and hence full magnetic force.

pressure to plastic housing only, to avoid damage to the magnet.

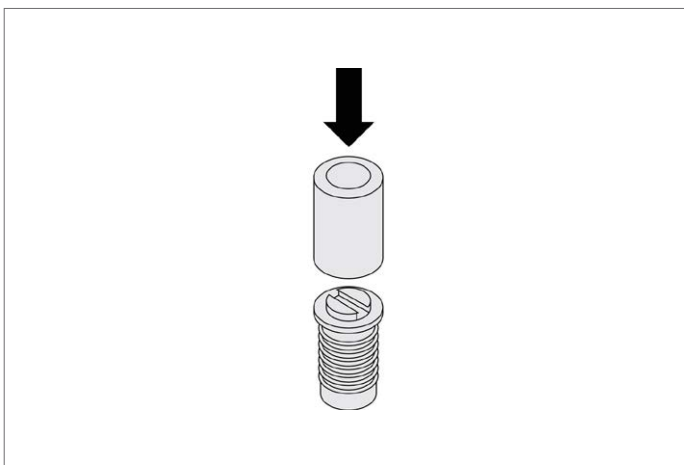
Technical Notes

Catches can be used with either strike a or

Tips

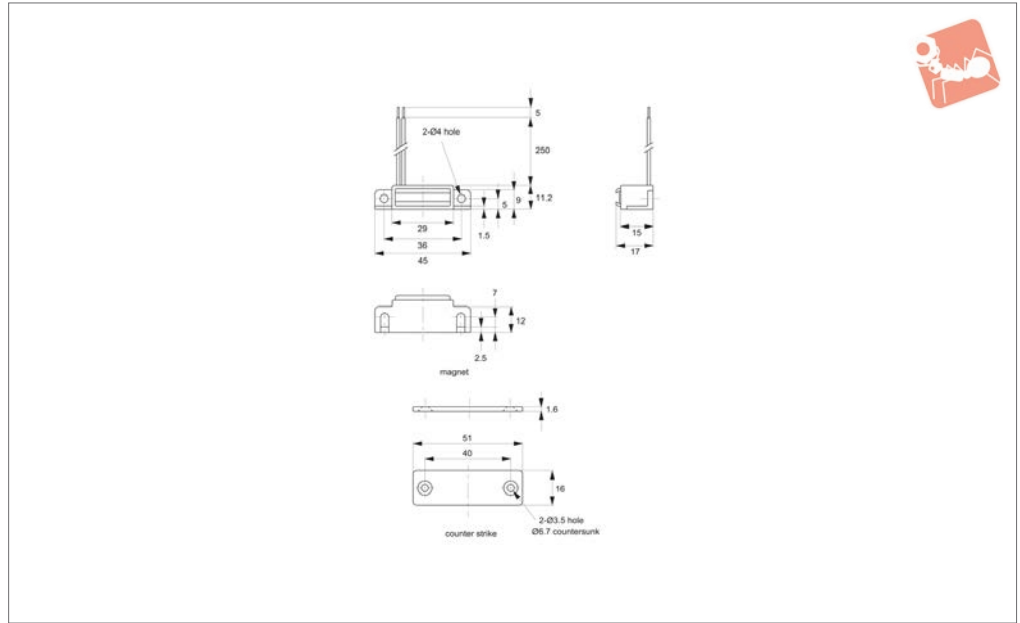
When installing magnet, use tube to apply

Order No.	Type	Magnetic force kgf	Finish	t	d	d ₁	d ₂	l	Weight g
E5850.AC0010	Magnet	2.5	White	-	-	-	-	-	6.0
E5850.AC0020	Magnet	2.5	Black	-	-	-	-	-	6.0
E5850.AC0703	Strike A	-	Chrome Plated	2.5	12	6	3	-	1.7
E5850.AC0704	Strike A	-	Nickel Plated	3.0	15	8	4	-	3.3
E5850.AC0713	Strike B	-	Nickel Plated	2.5	12	-	-	12	2.0





E5900



Material

Body: polycarbonate, black.
 Magnet and counter plate: steel, nickel plated.
 Cable: UL1007 AWG#26, black. Max. cable strength 1Kg.

Technical Notes

Magnet has the following electrical properties:

Wattage: 10W
 Voltage: 100V DC
 Max. load rating: 0.5A DC
 Max contact resistance (excl. cable): 0.15 ohm.
 Temperature resistance 0 to 60°C.

Tips

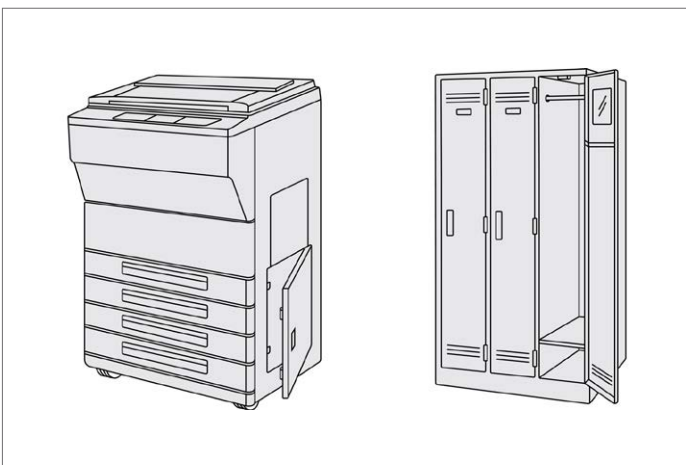
Type A: Reed switch closes when counter plate and magnet are separated.

Type B: Reed switch opens when counter plate and magnet are separated.

Important Notes

Magnet and Counter Strike enable completion or breaking of electrical circuit of the reed switch, and can be easily incorporated into a lighting or sensor circuit. The magnetic field is NOT powered on/off by any electrical current.

Order No.	Magnetic force kgf	Movement type	Weight g
E5900.AC0010	1	B - Reed Switch Open	28
E5900.AC0020	3	A - Reed Switch Closed	28
E5900.AC0030	3	B - Reed Switch Open	28

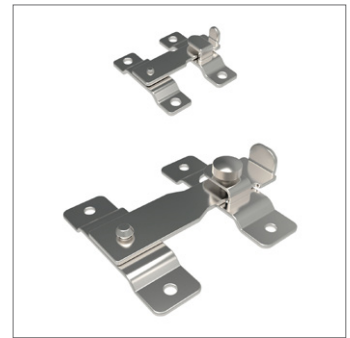
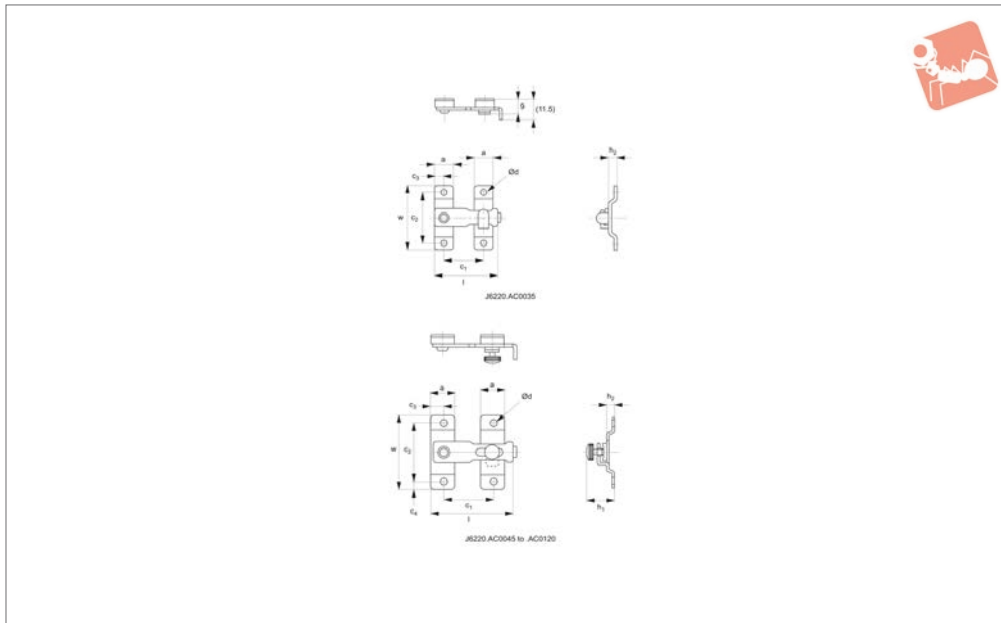




Bar Latches

with thumb screw, **stainless steel**

Catches & Latches



J6220

CATCHES & LATCHES

Material

Stainless steel AISI 304, polished.

latch closed.

Note: J6220.AC0035 has no thumb screw.

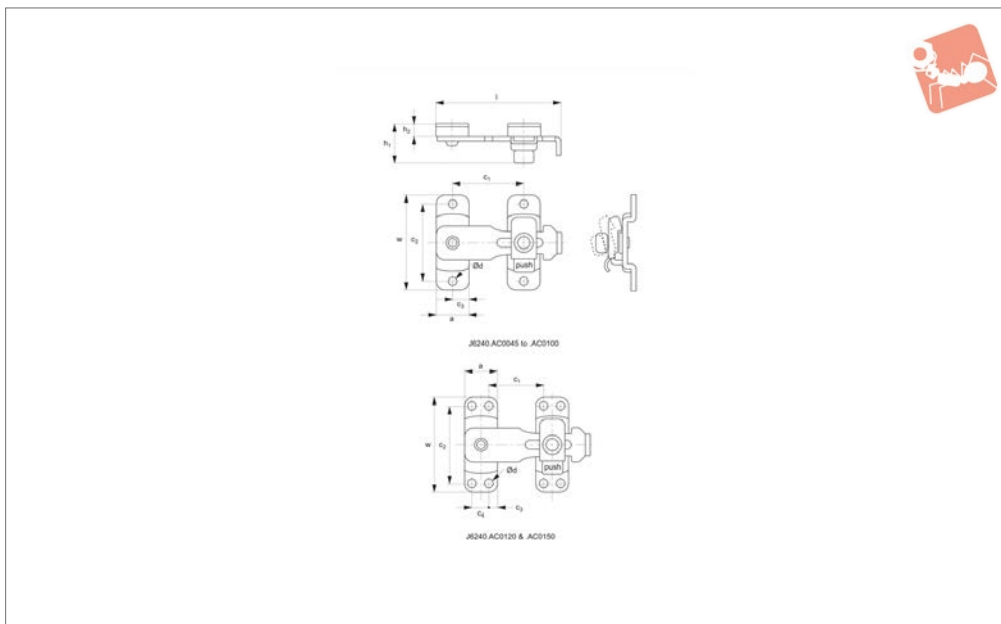
Important Notes

Latch with thumb screw on strike to keep

Order No.	l	w	a	c ₁	c ₂	c ₃	c ₄	h ₁	h ₂	Ø d	Weight g
J6220.AC0035	35	35	10	22	28	5.0	3.5	-	4.2	3.3	19
J6220.AC0045	45	40	13	28	32	6.5	4.0	15	4.5	3.3	28
J6220.AC0055	55	46	16	35	37	8.0	4.5	19	6.0	4.0	50
J6220.AC0080	81	65	20	52	53	10.0	6.0	23	7.0	4.8	100
J6220.AC0100	100	80	25	60	66	12.5	7.0	29	8.0	5.5	200
J6220.AC0120	120	100	30	75	80	15.0	10.0	30	8.0	6.5	295



J6240



Material

Stainless steel AISI 304, polished.

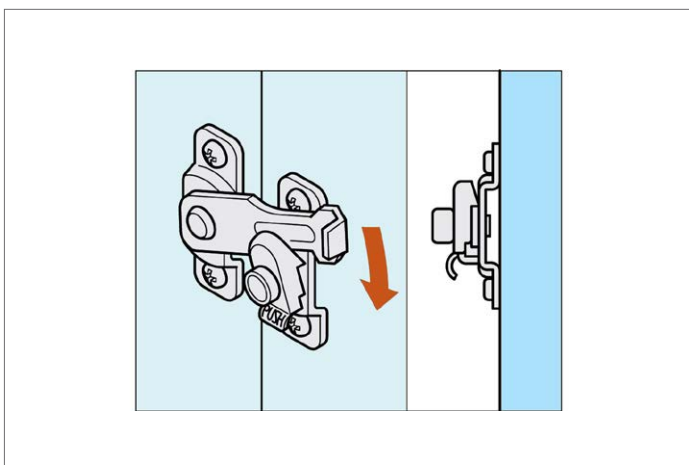
prevent accidental release, and hence latch can be used upside down.

Technical Notes

Latch snaps into spring loaded strike to

Push tab on strike to release.

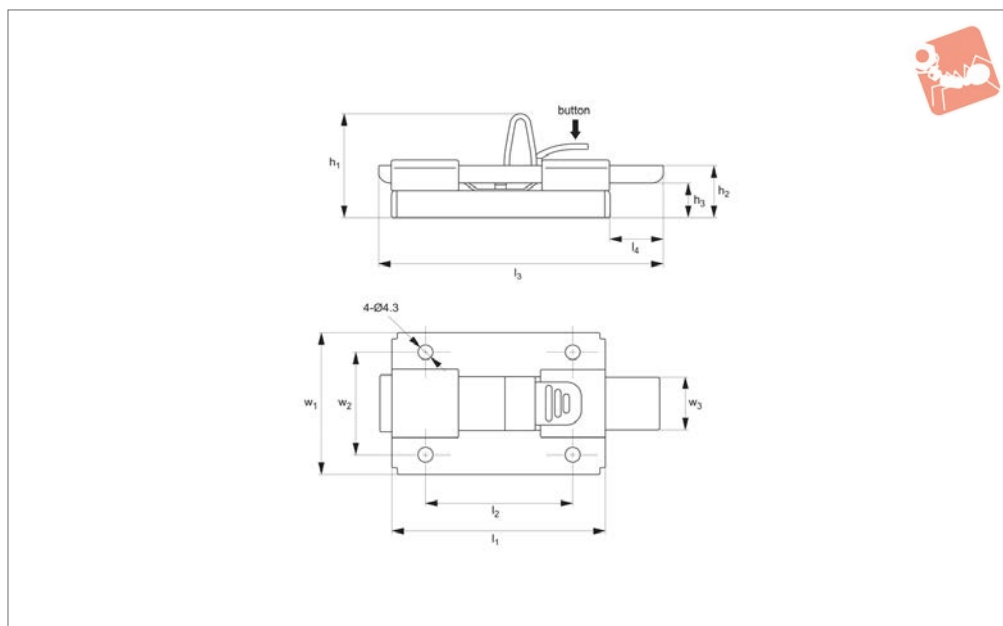
Order No.	l	w	a	c ₁	c ₂	c ₃	c ₄	h ₁	h ₂	Ø d	Weight g
J6240.AC0045	48	40	13.0	23 ±3	32	6.50	-	17.0	4.5	3.2	28
J6240.AC0060	63	46	16.0	34 ±4	37	8.00	-	20.0	6.0	4.2	50
J6240.AC0080	85	65	20.0	47 ±7	53	10.00	-	22.5	7.0	5.0	100
J6240.AC0100	105	80	25.0	59 ±7	66	12.50	-	26.5	8.0	5.5	182
J6240.AC0120	127	100	28.5	56 ±10	80	6.75	15	28.0	8.0	6.2	270
J6240.AC0150	155	120	30.5	74 ±14	95	7.25	16	28.0	8.0	6.2	350





Slide Bar Latch stainless steel

Catches & Latches



J6260

CATCHES & LATCHES

Material

Stainless steel.

Not supplied: fixing screws.

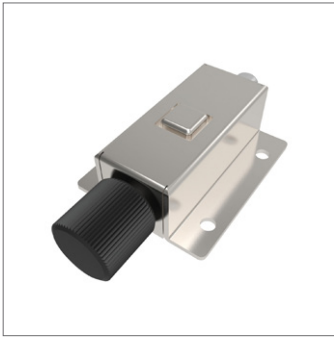
Tips

Push button to adjust/move bolt.

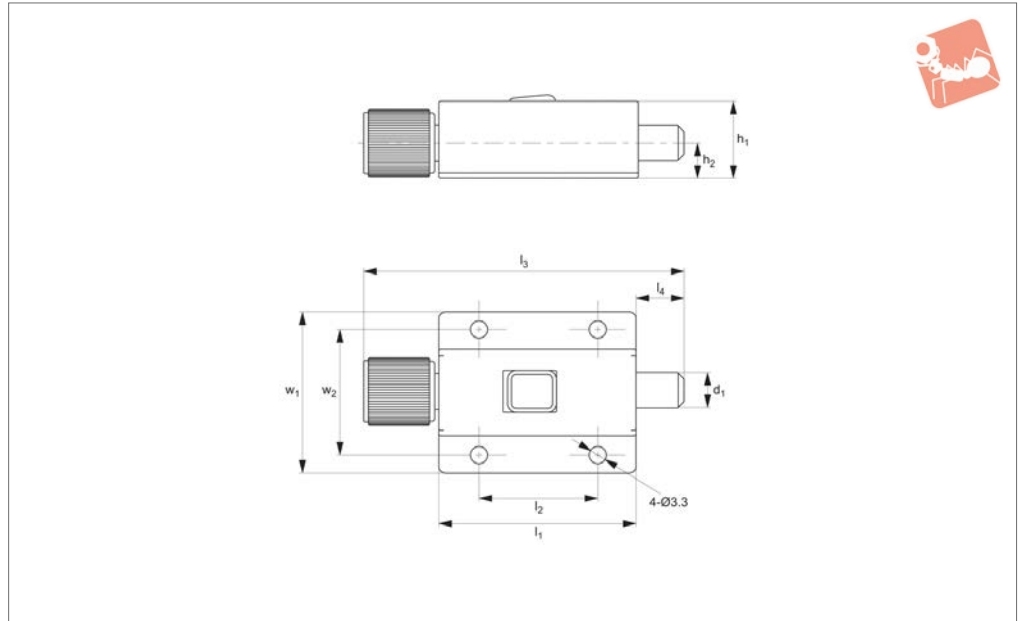
l_3 max. extension of latch bolt stroke=

14,5mm.

Order No.	l_1	l_2	l_3	h_1	h_2	h_3	l_4	w_1	w_2	w_3	Stroke
J6260.AW0010	65	45	85.5	31.3	15.5	10	16.7	44	32.5	18	14.5



J6262



CATCHES & LATCHES

Material

Housing: stainless steel.
Bolt: steel, chrome plated.

Grip: plastic.

Tips

Push button to adjust/move bolt.

l_3 max. extension of latch bolt stroke= 14,5mm.

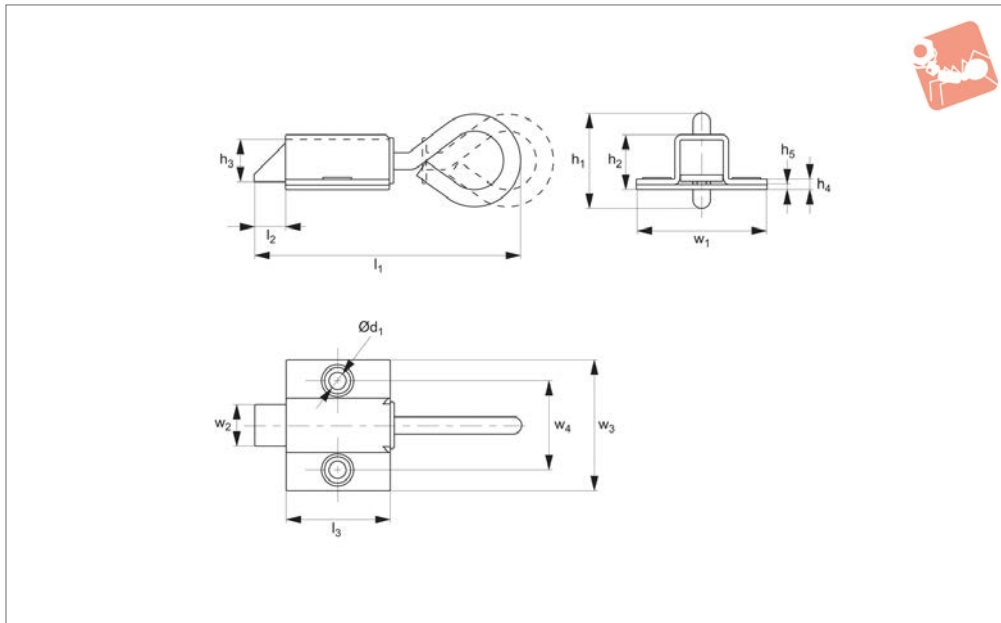
Order No.	l_1	d_1	l_2	l_3	h_1	h_2	l_4	w_1	w_2	Stroke
J6262.AW0010	40	7	25	64	15	7	9	33.5	26.5	9



Slide Bar Latches - Pull Ring

steel

Catches & Latches



J6266

CATCHES & LATCHES

Material

Body: steel, zinc plated.

Technical Notes

Mounted via 2 x M5 screws (not supplied).

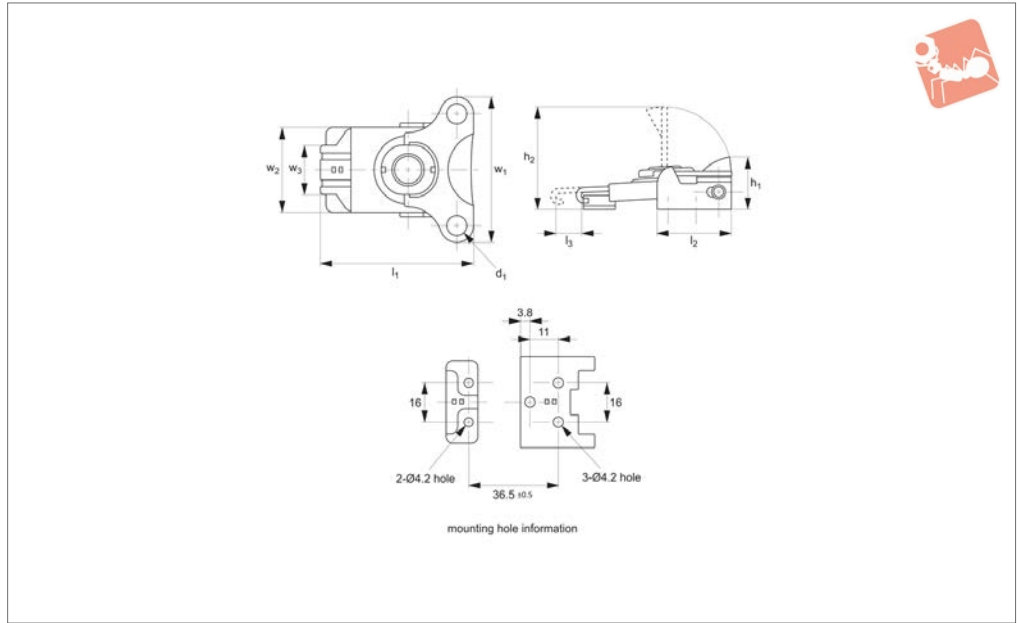
Tips

Easy actuation using pull ring, catch has stroke of 9,5mm.

Order No.	l_1	l_2 stroke	l_3	h_1	h_2	h_3	h_4	h_5	$\varnothing d_1$	w_1	w_2	w_3	w_4
J6266.AW0010	83	9.5	34	28	16.5	12.7	3	1.5	5.3	39	12.7	39	26.9



J0100



Material

All parts from stainless steel, AISI 304, polished.

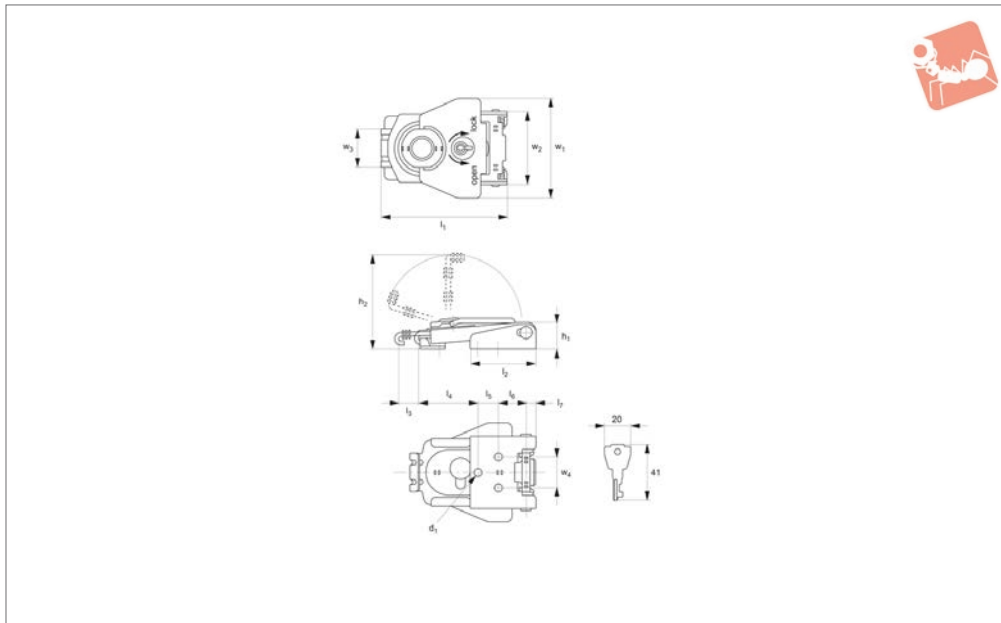
Order No.	l_1	h_1	w_1	$\varnothing d_1$	h_2	l_2	l_3 stroke	w_2	w_3	Weight g
J0100.AC0030	61	22	60	8	43	30	10	34.5	20	85



Draw Latches with Lock

stainless steel

Draw Latches



J0150

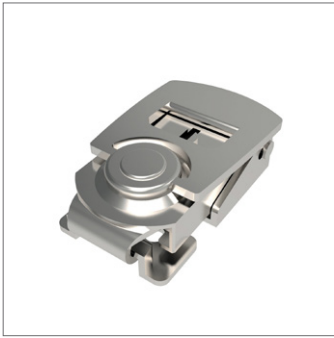
DRAW LATCHES

Material

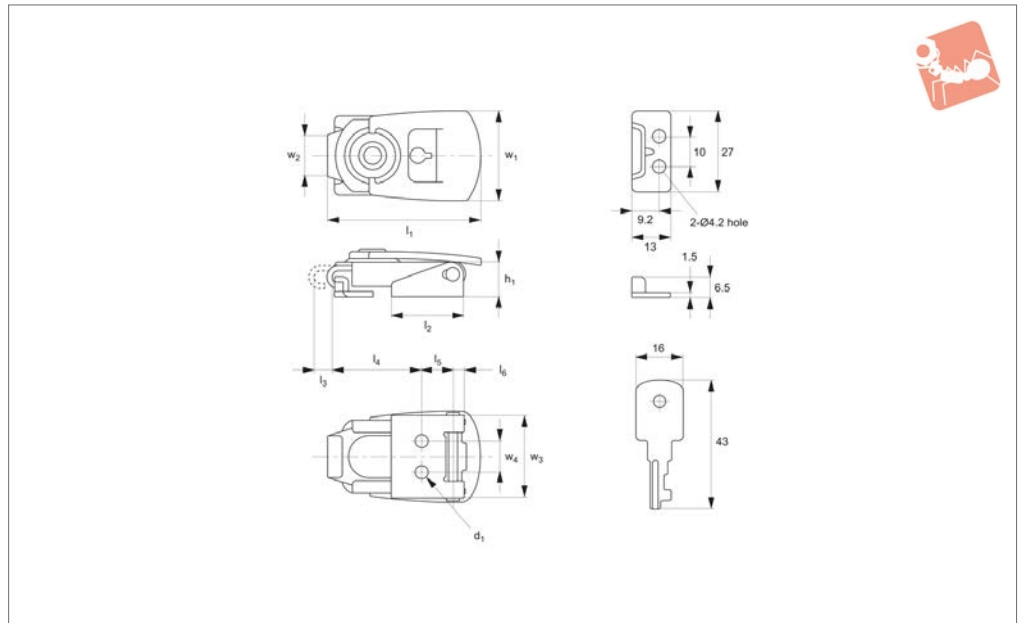
All parts from stainless steel, AISI 304, polished.

Single key supplied.

Order No.	l_1	h_1	w_1	d_1	h_2	l_2	l_3 stroke	l_4	l_5	l_6	l_7	w_2	w_3	w_4	Weight g
J0150.AC0030	65	13	52	4.2	48	34.5	10	34	11	14.4	5	38	20	16	105



J0170



Material

All parts from stainless steel, AISI 304, plain.

Technical Notes

Compact size, high strength.

Single key supplied.

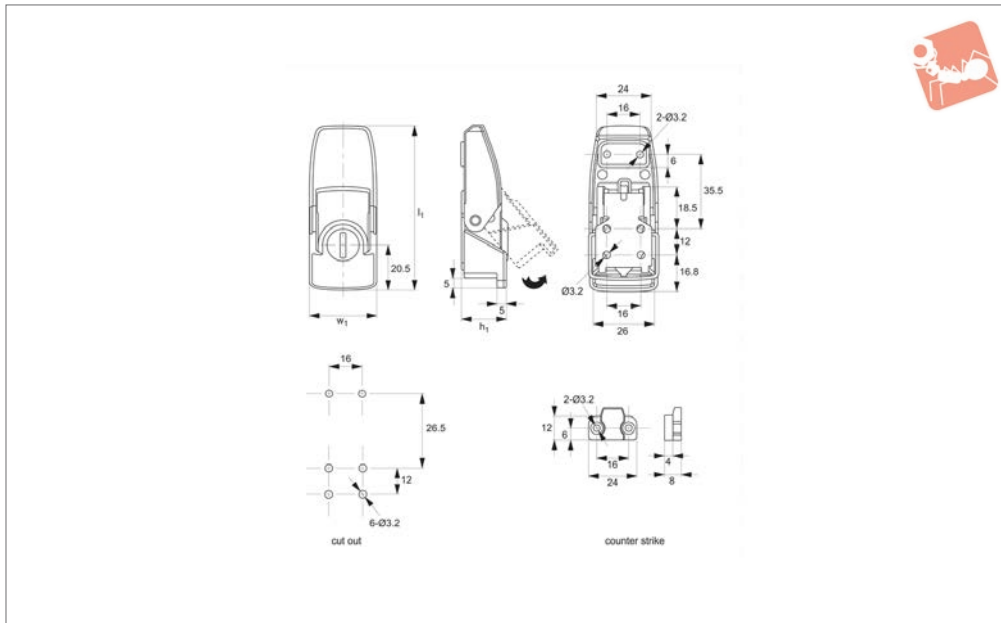
Order No.	l_1	h_1	w_1	$\varnothing d_1$	l_2	l_3	l_4	l_5	l_6	w_2	w_3	w_4	Weight g
J0170.AC0030	51	11.5	30	4.2	24	6	31~(33)	10.5	3.5	14	27.3	10	50



Draw Latches - with Lock

zinc

Draw Latches



J0200

DRAW LATCHES

Material

Housing and Strike: die cast zinc.
Bracket: stainless steel.

Supplied with: Keys: two per lock.

Not supplied: Fixing screws.

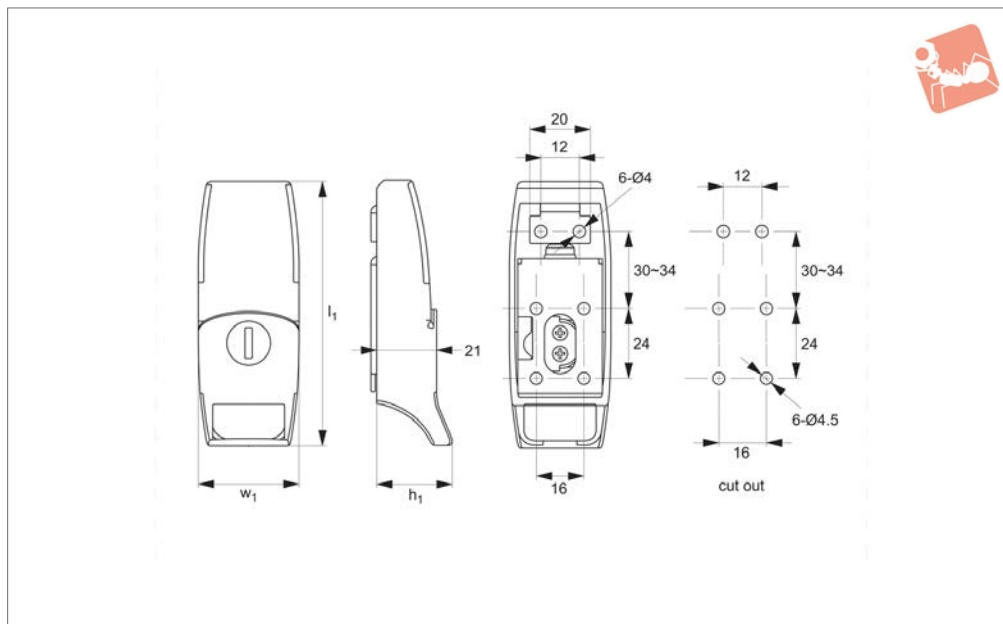
Order No.	Type	Finish	l ₁	h ₁	w ₁
J0200.AW0010	With Lock	Chrome Plated	76	21	32
J0200.AW0020	With Lock	Black Coated	76	21	32
J0200.AW0310	Blank - No Lock	Chrome Plated	76	21	32
J0200.AW0320	Blank - No Lock	Black Coated	76	21	32



DRAW LATCHES



J0220



Material

Housing and Strike: die cast zinc, black powder coated.

Bracket and strike: stainless steel.

Supplied with: Keys: two per lock.

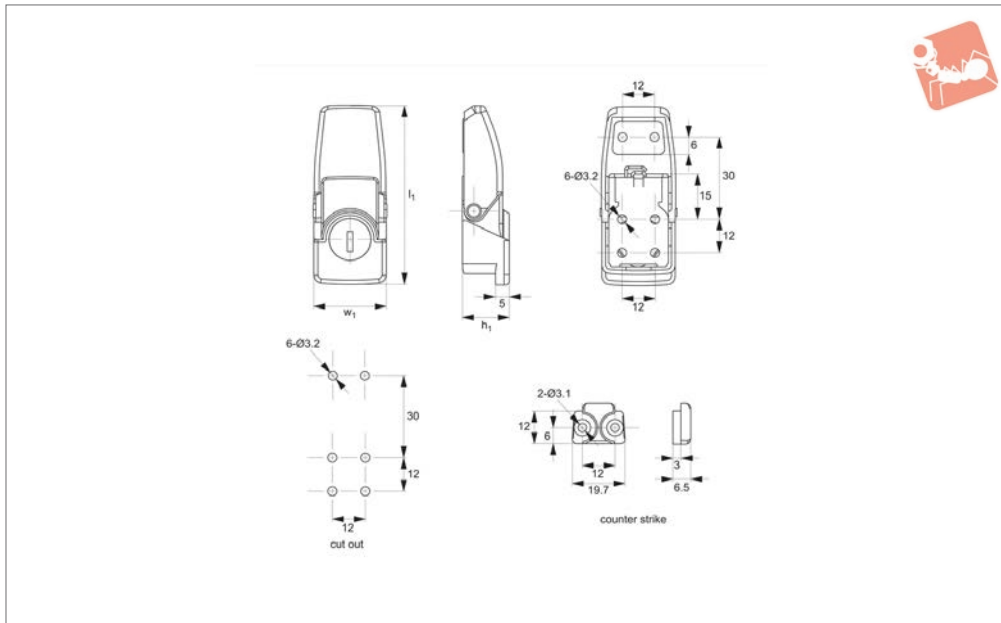
Order No.	Finish	l_1	h_1	w_1
J0220.AW0010	Black Coated	92	25	36



Draw Latches - with Lock

zinc

Draw Latches



J0240

DRAW LATCHES

Material

Housing and Strike: die cast zinc, black powder coated.

Bracket: stainless steel.

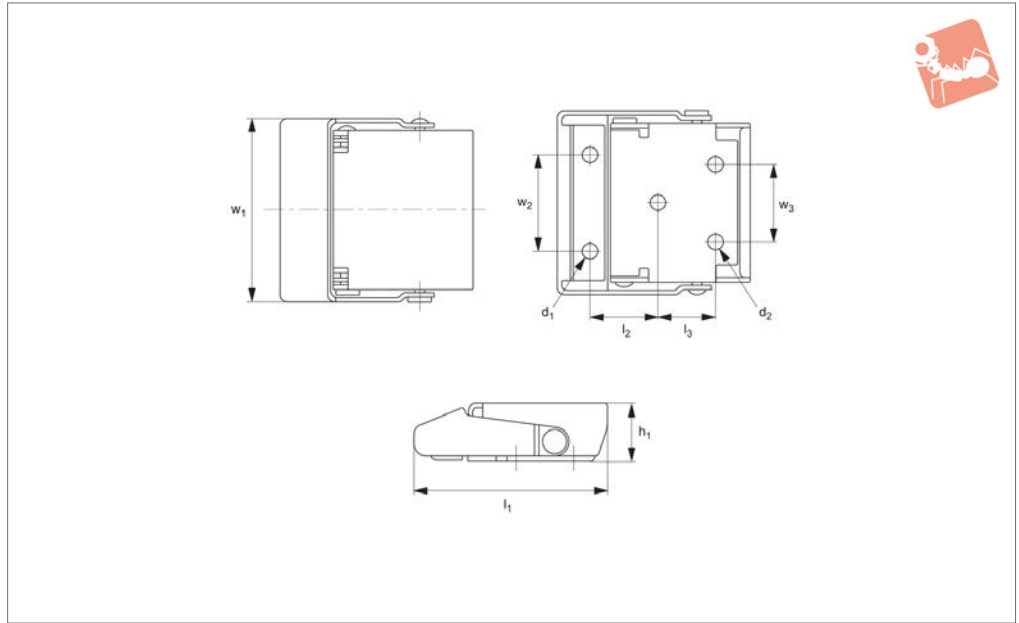
Supplied with: Keys: two per lock.

Not supplied: Fixing screws.

Order No.	Type	l_1	Material	h_2	w_2
J0240.AW0010	With Lock	64.5	Chrome Plated	16.5	26.5
J0240.AW0020	With Lock	64.5	Black Coated	16.5	26.5
J0240.AW0310	Blank - No Lock	64.5	Chrome Plated	16.5	26.5
J0240.AW0320	Blank - No Lock	64.5	Black Coated	16.5	26.5



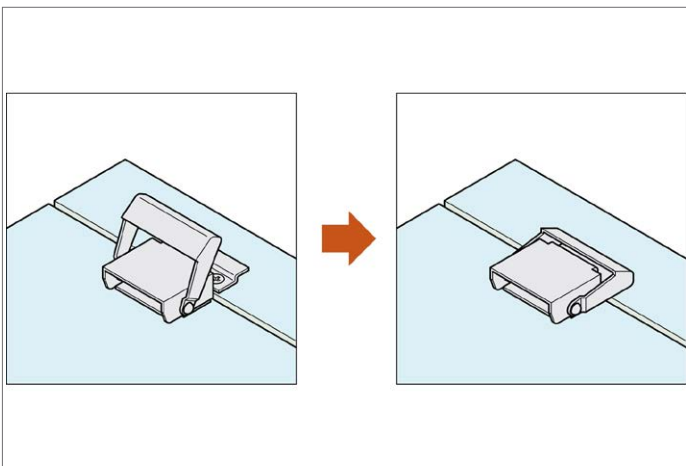
J0320

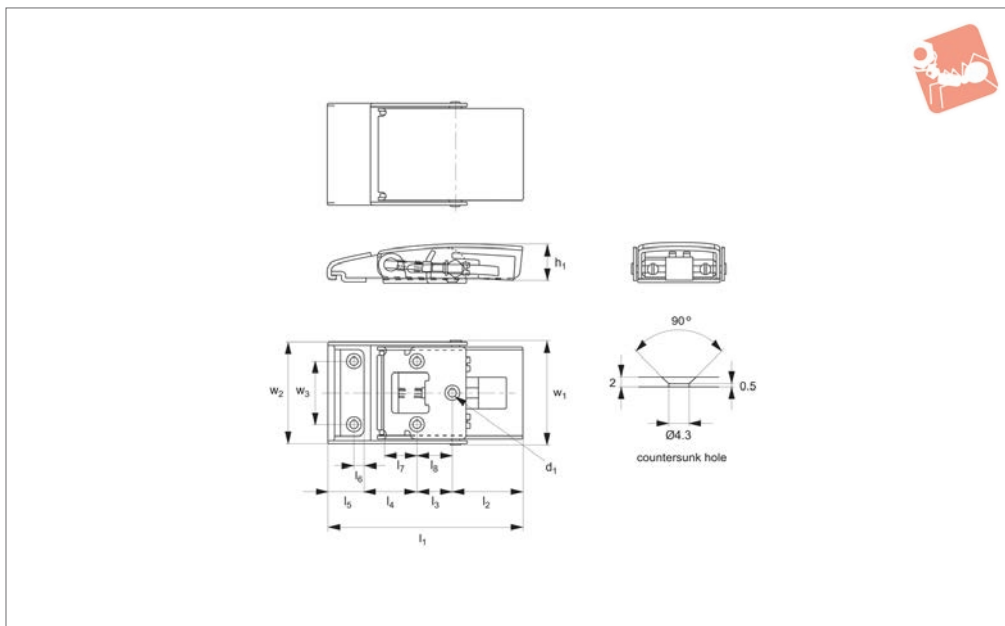


Material

All parts from stainless steel, AISI 304, satin finish. Fixing screws not included.

Order No.	l_1	h_1	w_1	$\varnothing d_1$	$\varnothing d_2$	l_2	l_3	w_2	w_3	Weight g
J0320.AC0030	40	12	33	3.2	Ø3,2	14	12	20	16	30





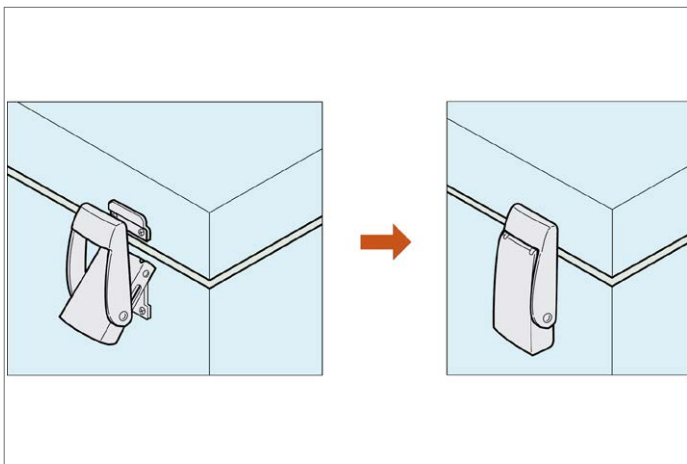
J0340

DRAW LATCHES

Material

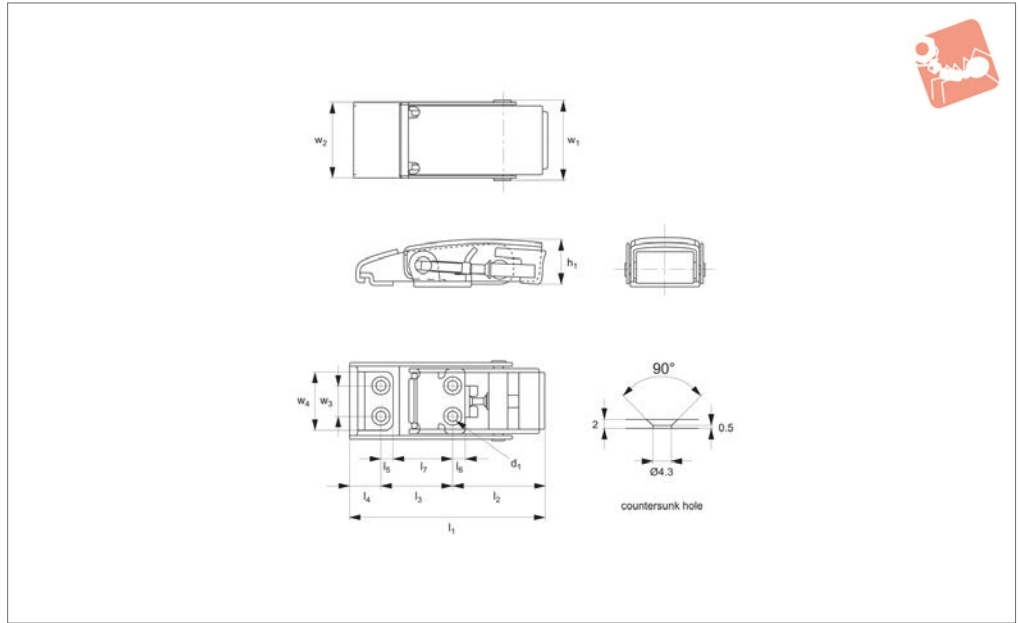
All parts from stainless steel, AISI 304, satin finish. Fixing screws not included.

Order No.	l_1	Load capacity kg	d_1	h_1	w_1	l_2	l_3 ± 0.2	l_4 ± 0.5	l_5	l_6	l_7	l_8	w_2	w_3 ± 0.2	Weight g
J0340.AC0030	100	80	4.3	19.5	52.6	36.5	18	32	16.5	5	17	25	52	32	190





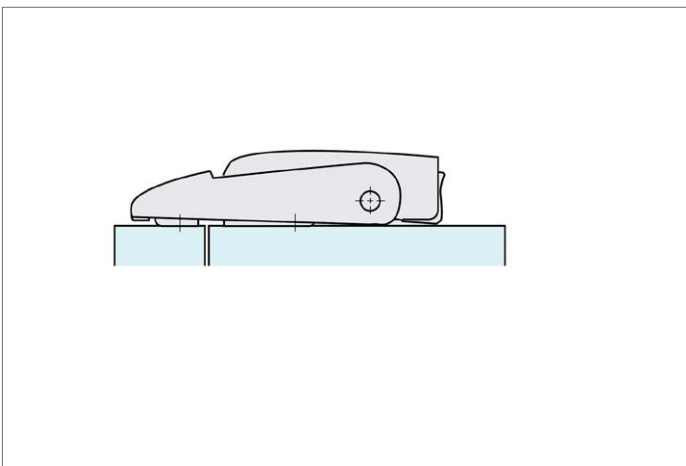
J0360



Material

All parts from stainless steel, AISI 304, satin finish. Fixing screws not included.

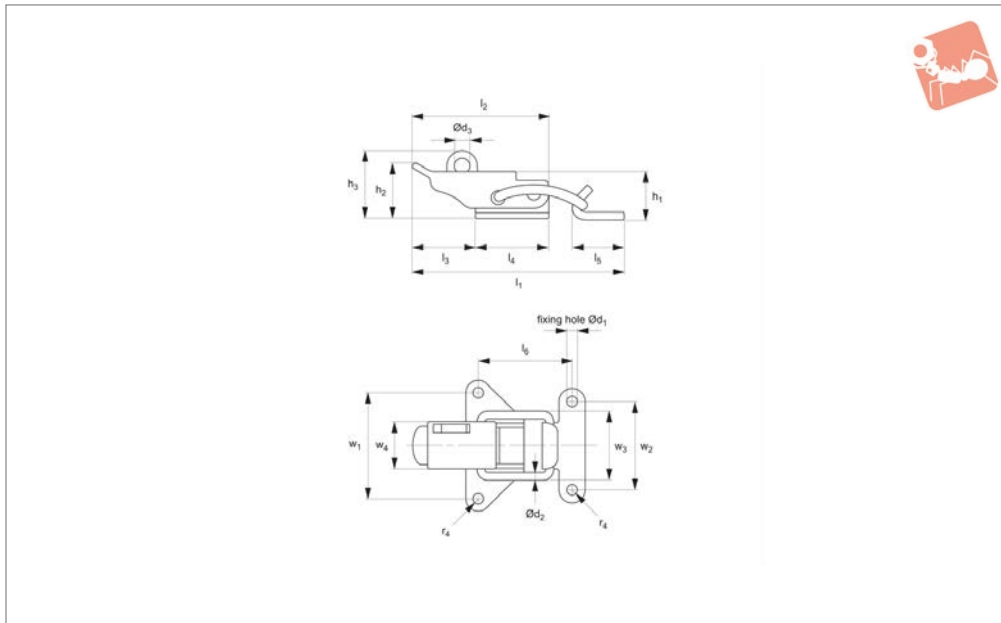
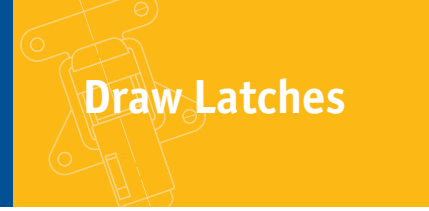
Order No.	l_1	Load capacity kg	h_1	w_1	$\varnothing d_1$	l_2	l_3 0 -0.5	l_4	l_5	l_6	l_7	w_2	w_3 ± 0.2	w_4	Weight g
J0360.AC0030	82	80	19.5	33.6	4.3	38.5	30	13.5	5	5	52	32	13	25	111





Toggle Latches with padlock shackle

Draw Latches



J0500

DRAW LATCHES

Material

Steel, Fe P02 + P12, UNI5866, nickel or zinc plated.

Technical Notes

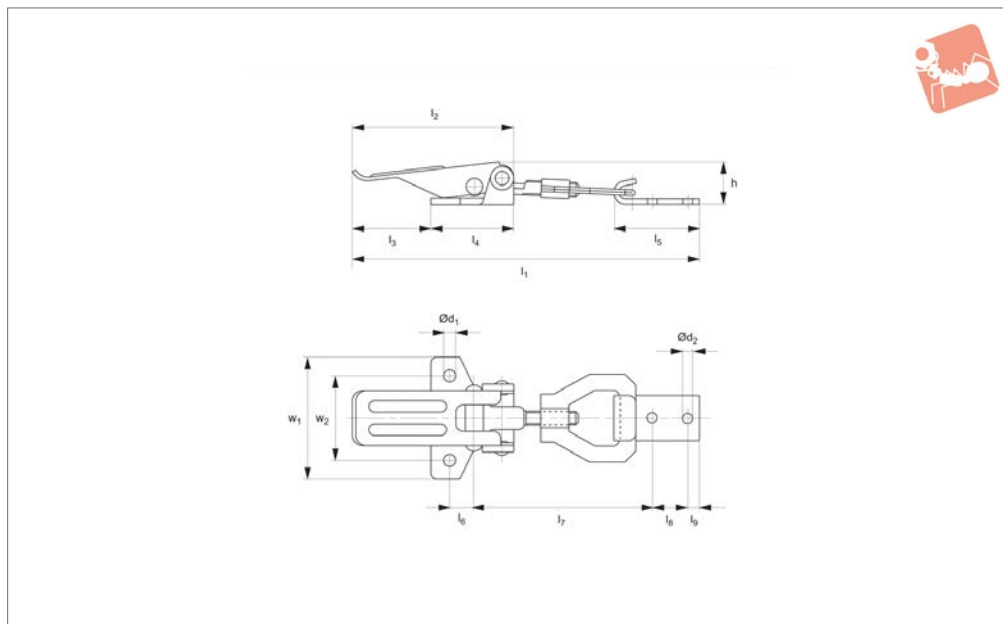
Supplied with counter strike.

Order No.	Finish	l_1	h_1	w_1	$\varnothing d_1$	$\varnothing d_2$	$\varnothing d_3$	h_2 ± 0.5	h_3	Weight g
J0500.AC0001	Nickel Plated Steel	52	11	33	3.5	2	4	12	17.5	20
J0500.AC0004	Zinc Plated Steel	52	11	33	3.5	2	4	12	17.5	20

Order No.	l_2	l_3	l_4	l_5	l_6 ± 0.3	w_2	w_3	w_4	Load N max.	Tension N max.
J0500.AC0001	34	16	18	13	28.5	28	21	15	550	1500
J0500.AC0004	34	16	18	13	28.5	28	21	15	550	1500



J0520



Material

Steel, Fe P02 + P12, UNI5866, zinc plated.
Or stainless steel AISI 304, UNI x5crNi.

Technical Notes

Supplied with counter strike.
Draw length adjustable through turns of

threaded draw rod, giving 12mm length of adjustment.

Order No.	Finish	l_1	h	w_1	$\varnothing d_1$	$\varnothing d_2$	l_2	l_3	l_4	Weight g
J0520.AC0004	Zinc Plated Steel	138 to 150	18	52	5.2	4.1	67.5	33	35	110
J0520.AC0030	Stainless Steel	138 to 150	18	52	5.2	4.1	67.5	33	35	110

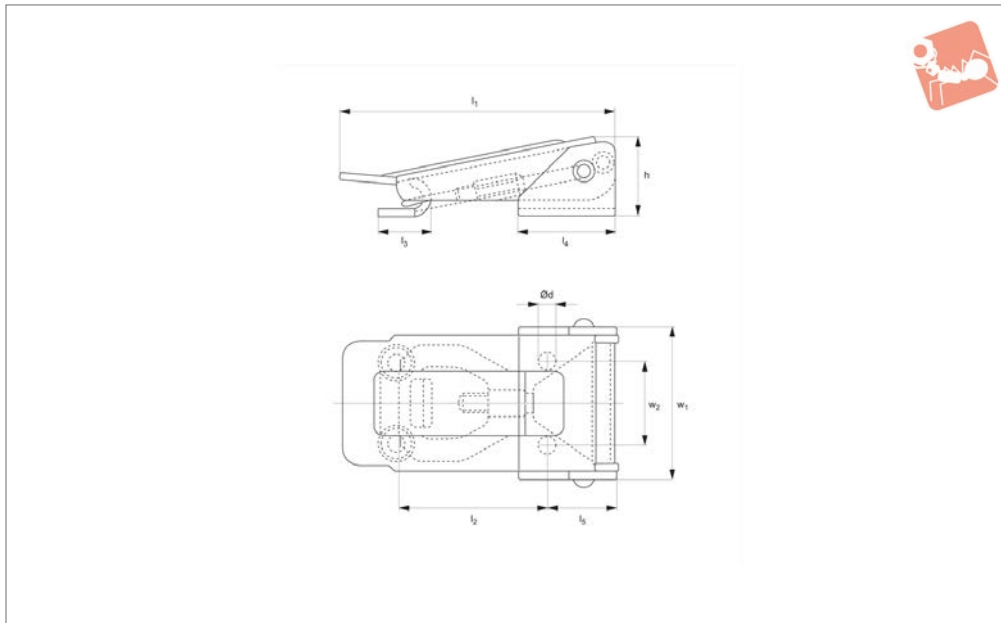
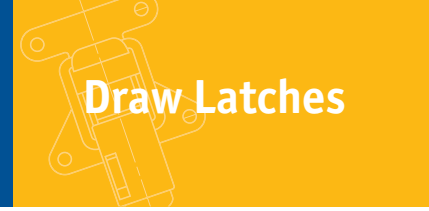
Order No.	l_5	l_6	l_7	l_8	l_9	Load N max.	Tension N max.	w_2	w_3
J0520.AC0004	36	10	68 to 80	15	5	1100	2500	36	19
J0520.AC0030	36	10	68 to 80	15	5	1100	2500	36	19



Toggle Latches

adjustable, stainless steel

Draw Latches



J0560

DRAW LATCHES

Material

Steel, Fe P02 + P12, UNI5866, zinc plated.
Or stainless steel AISI 304, UNI x5crNi.

Technical Notes

Supplied with counter strike.
Draw length adjustable through turns of

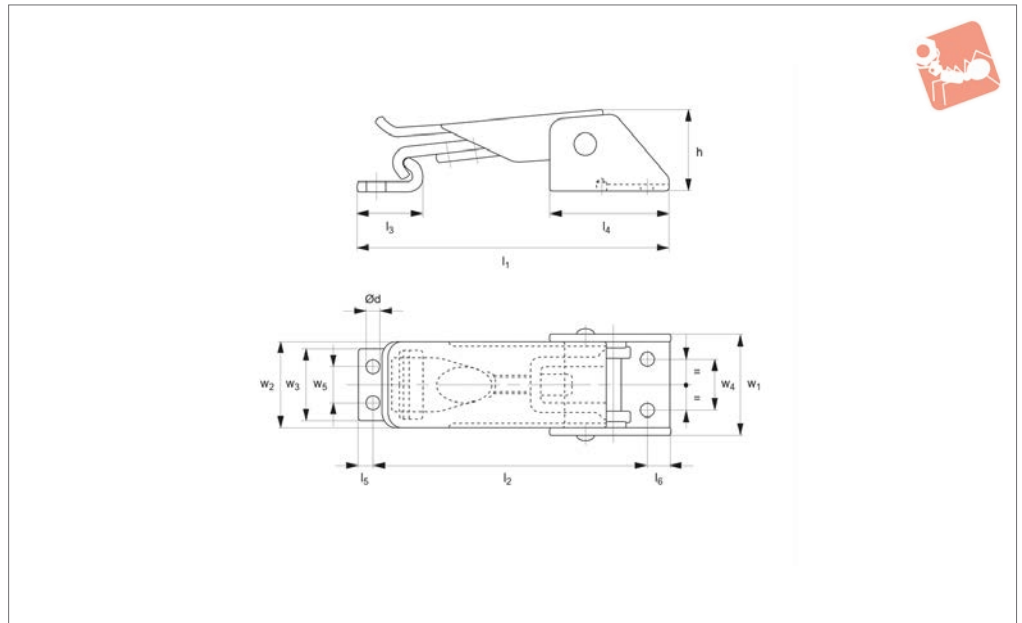
threaded draw rod, giving 12mm length of adjustment.

Order No.	Finish	l_1	h	w_1	$\varnothing d$	l_2	Weight g
J0560.AC0004	Zinc Plated Steel	88	26	48.5	5.5	48 to 60	160
J0560.AC0030	Stainless Steel	88	26	48.5	5.5	48 to 60	160

Order No.	l_3	l_4	l_5	Load N max.	Tension N max.	w_2
J0560.AC0004	17	31	22	1500	3000	26
J0560.AC0030	17	31	22	1500	3000	26



J0580



Material

Steel, Fe P02 + P12, UNI5866, nickel plated.

Technical Notes

Supplied with counter strike.
Draw length adjustable through turns of

threaded draw rod, giving 12mm length of adjustment.

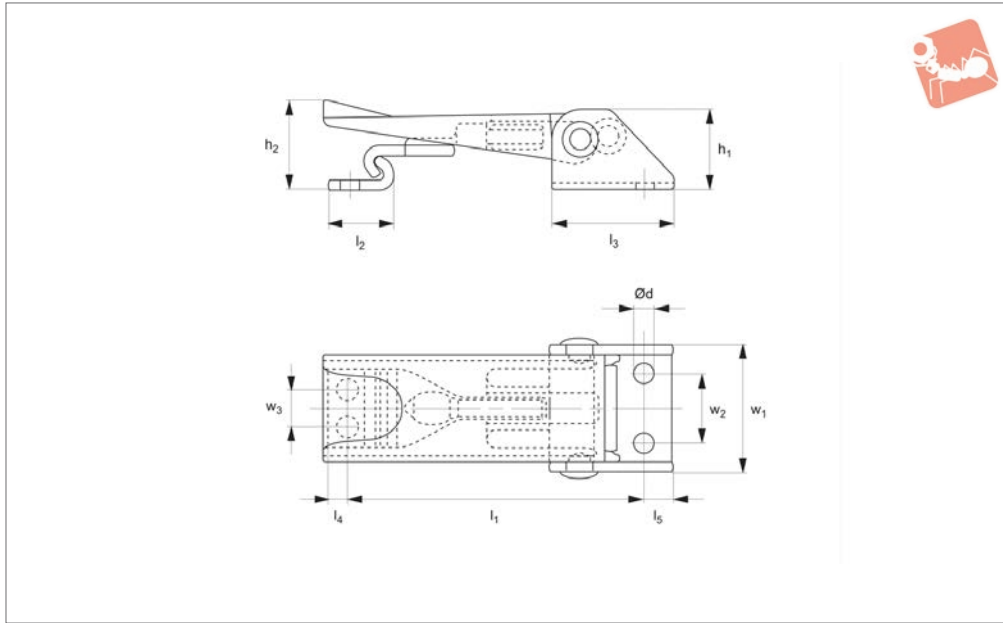
Order No.	Finish	l_1	h	w_1	$\varnothing d$	l_2	l_3	l_4	Weight g
J0580.AC0001	Nickel plated steel	82 to 94	22	27	3.6	72 to 84	17.5	33	100
Order No.	l_5	l_6	Load N max.	Tension N max.	w_2	w_3	w_4	w_5	
J0580.AC0001	4	6	1000	2000	24	19	14	10	



Toggle Latches

adjustable, stainless steel

Draw Latches



J0600

DRAW LATCHES

Material

Steel, Fe P02 + P12, UNI5866, zinc plated.
Or stainless steel AISI 304, UNI x5crNi.

Technical Notes

Supplied with counter strike.
Draw length adjustable through turns of

threaded draw rod, giving 10mm length of adjustment.

Order No.	Finish	l_1	h_1	w_1	$\varnothing d$	h_2	Weight g
J0600.AC0008	Zinc Plated	60 to 70	16	25.5	4.2	18	55
J0600.AC0030	Stainless Steel	60 to 70	16	25.5	4.2	18	55

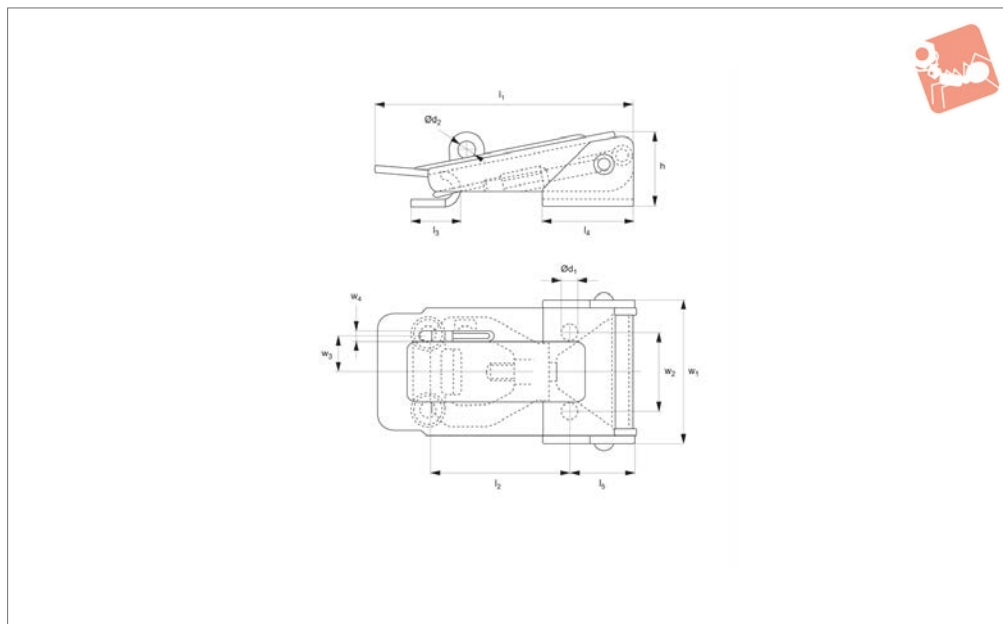
Order No.	l_2	l_3	l_4	l_5	Load N max.	Tension N max.	w_2	w_3
J0600.AC0008	14	25	4	6	1000	1400	14	8
J0600.AC0030	14	25	4	6	1000	1400	14	8



DRAW LATCHES



J0562



Material

Steel, Fe P02 + P12, UNI5866, zinc plated.

Technical Notes

Supplied with counter strike.

Draw length adjustable through turns of threaded draw rod, giving 12mm length of adjustment.
Use padlock of 6mm dia. or less.

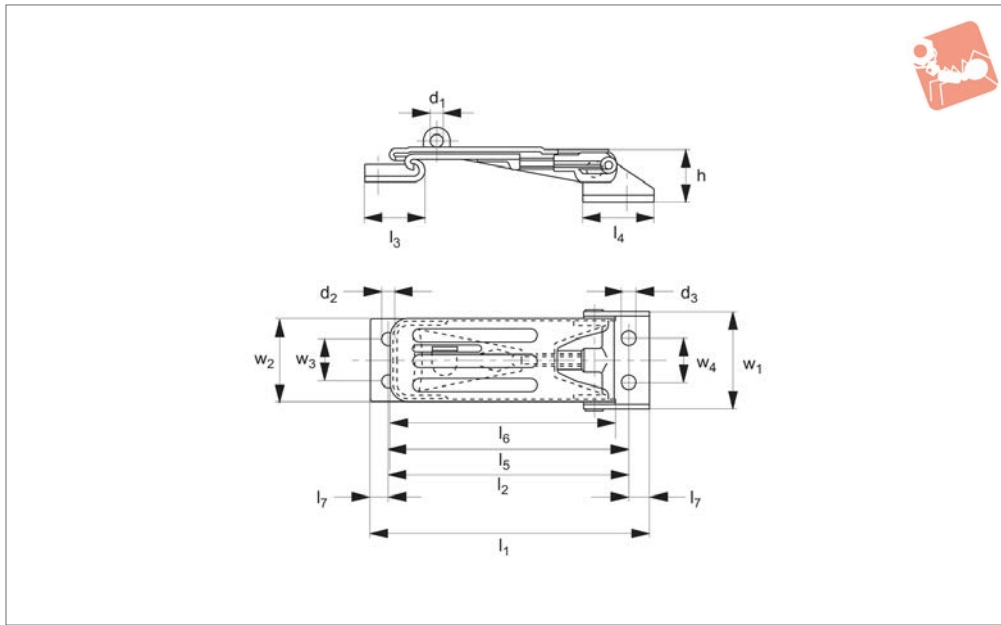
Order No.	Finish	l_1	h	w_1	$\varnothing d_1$	$\varnothing d_2$	l_2	Weight g
J0562.AC0004	Zinc Plated Steel	88	26	48.5	5.5	6	48 to 60	170
Order No.	l_3	l_4	l_5	w_2	w_3	w_4	Load N max.	Tension N max.
J0562.AC0004	17	31	22	26	12	1.5	1500	3000



Toggle Latches

adjustable with padlock shackle

Draw Latches



J0590

DRAW LATCHES

Material

Steel, Fe P02 + P12, UNI5866, zinc plated.

Draw length adjustable through turns of threaded draw rod, giving 12mm length of adjustment.

Technical Notes

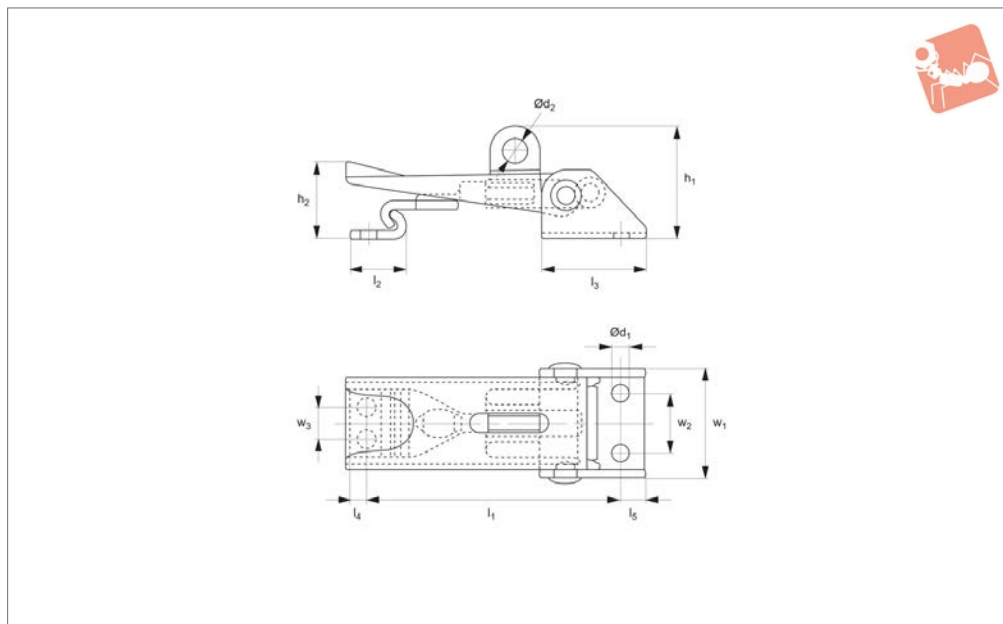
Supplied with counter strike.

Use padlock of 6mm dia. or less.

Order No.	Finish	l_1	h	w_1	d_1	$\emptyset d_2$	$\emptyset d_3$	l_2	l_3	Weight g
J0590.AC0008	Zinc Plated	135 to 150	23	45.5	6	6.6	7.1	115 to 130	30.7	190
Order No.	l_4	l_5	l_6	l_7	w_2	w_3	w_4	Load N max.	Tension N max.	
J0590.AC0008	35	131.5	114	10	40	22	22	2000	4000	



J0602



Material

Steel, Fe P02 + P12, UNI5866, zinc plated.
Or stainless steel AISI 304, UNI x5crNi.

Draw length adjustable through turns of threaded draw rod, giving 10mm length of adjustment.

Technical Notes

Supplied with counter strike.

Use padlock of 6mm dia. or less.

Order No.	Finish	l_1	h_1	w_1	$\varnothing d_1$	$\varnothing d_2$	h_2	Weight g
J0602.AC0008	Zinc Plated	60 to 70	27	25.5	4.2	6	18	55
J0602.AC0030	Stainless Steel	60 to 70	27	25.5	4.2	6	18	55

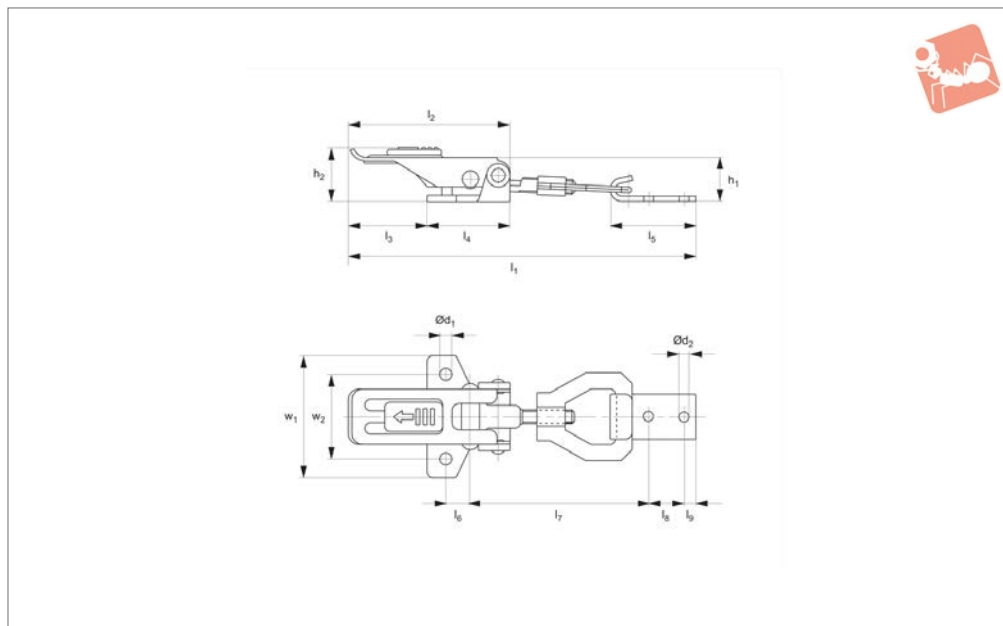
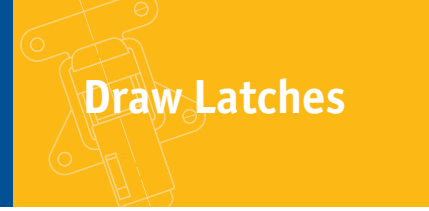
Order No.	l_2	l_3	l_4	l_5	w_2	w_3	Load N max.	Tension N max.
J0602.AC0008	14	25	4	6	14	8	1000	1400
J0602.AC0030	14	25	4	6	14	8	1000	1400



Toggle Latches

adjustable with secondary lock, **stainless steel**

Draw Latches



J0540

DRAW LATCHES

Material

Steel, Fe P02 + P12, UNI5866, zinc plated.
Or stainless steel AISI 304, UNI x5crNi.

Technical Notes

Supplied with counter strike.
Draw length adjustable through turns of

threaded draw rod, giving 12mm length of adjustment.

Order No.	Finish	l_1	w_1	h_1	$\varnothing d_1$	$\varnothing d_2$	h_2	l_2	l_3	Weight g
J0540.AC0001	Nickel plated steel	138 to 150	52	18	5.2	4.1	22	67.5	33	105
J0540.AC0030	Stainless steel	138 to 150	52	18	5.2	4.1	22	67.5	33	105

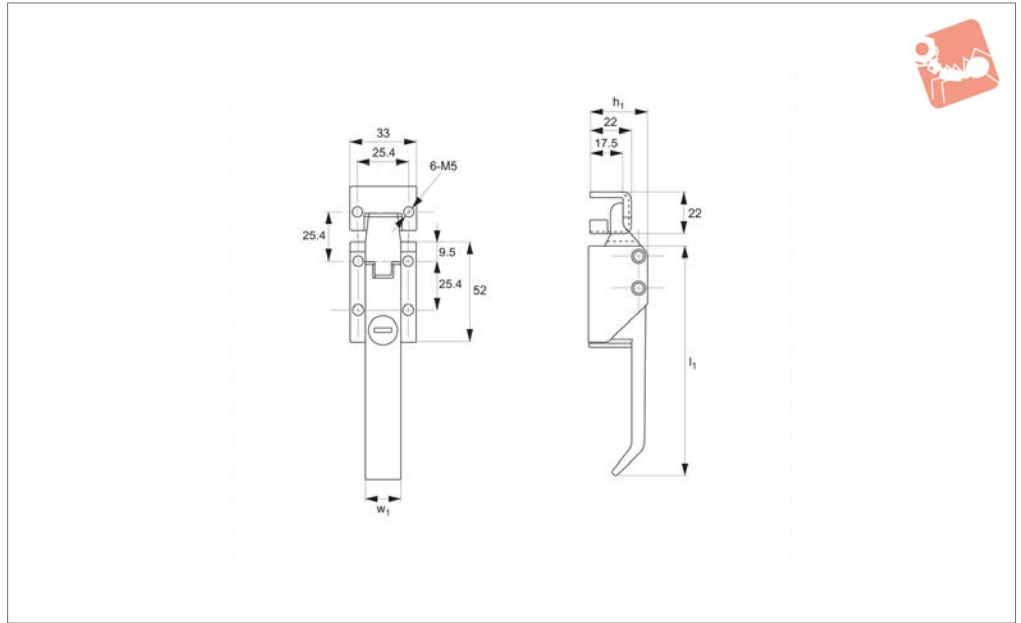
Order No.	l_4	l_5	l_6	l_7	l_8	l_9	w_2	w_3	Load N max.	Tension N max.
J0540.AC0001	35	36	10	68 to 80	15	5	36	19	1100	2500
J0540.AC0030	35	36	10	68 to 80	15	5	36	19	1100	2500



DRAW LATCHES



J0660



Material

Housing, Handle and Strike: die cast zinc, black powder coated.

Pins: stainless steel.

Supplied with: Keys and counter strike.

Not supplied: Fixing screws.

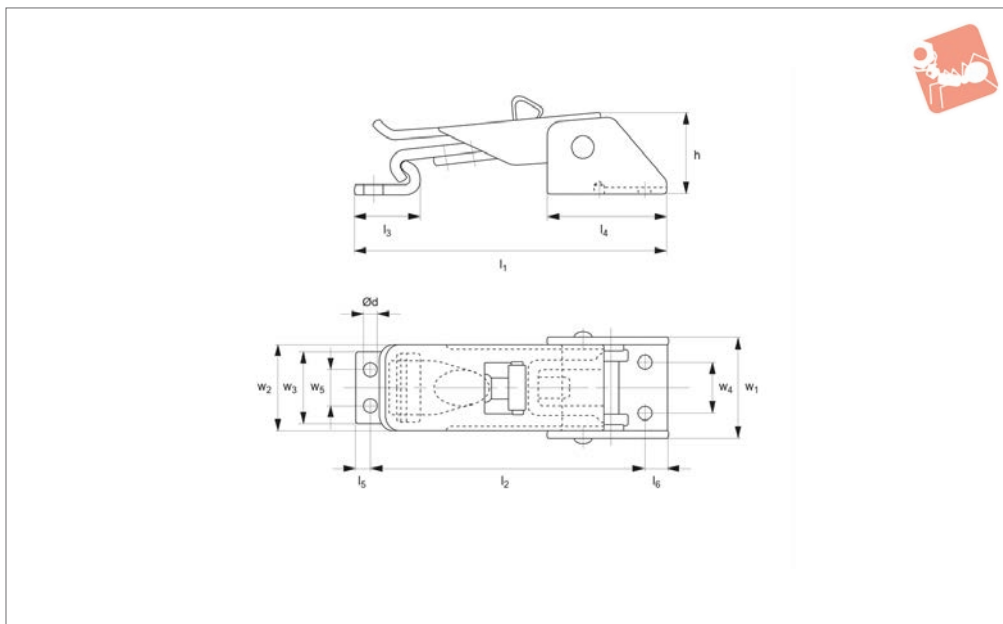
Order No.	Type	l_1	w	h_1
J0660.AW0010	With Lock	127	18	31.5
J0660.AW0020	Blank - W/o Lock	127	18	31.5



Toggle Latches

adjustable with secondary lock

Draw Latches



J0582

DRAW LATCHES

Material

Steel, Fe P02 + P12, UNI5866, zinc plated.

Draw length adjustable through turns of threaded draw rod, giving 12mm length of adjustment.

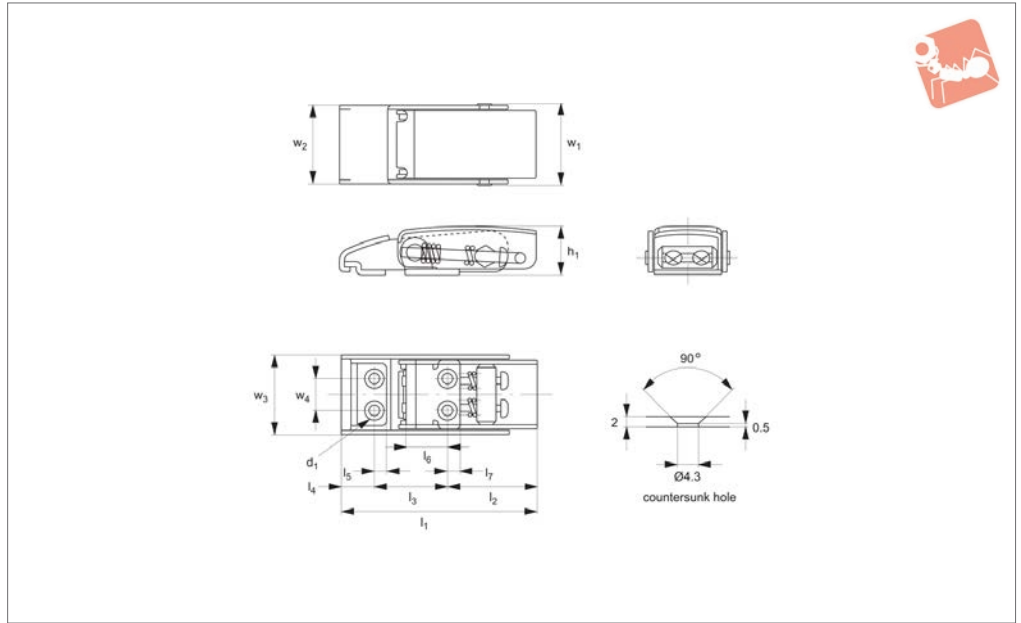
Technical Notes

Supplied with counter strike.

Order No.	Finish	l_1	h	w_1	$\varnothing d$	l_2	l_3	l_4	Weight g
J0582.AC0004	Zinc Plated Steel	82-94	22	27	3.6	72 to 84	17.5	33	90
Order No.	l_5	l_6	w_2	w_3	w_4	w_5	Load N max.	Tension N max.	
J0582.AC0004	4	6	24	19	14	10	1000	2000	



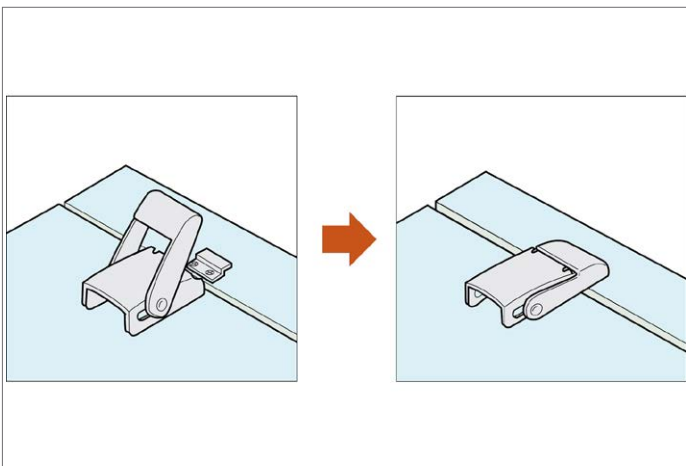
J0300

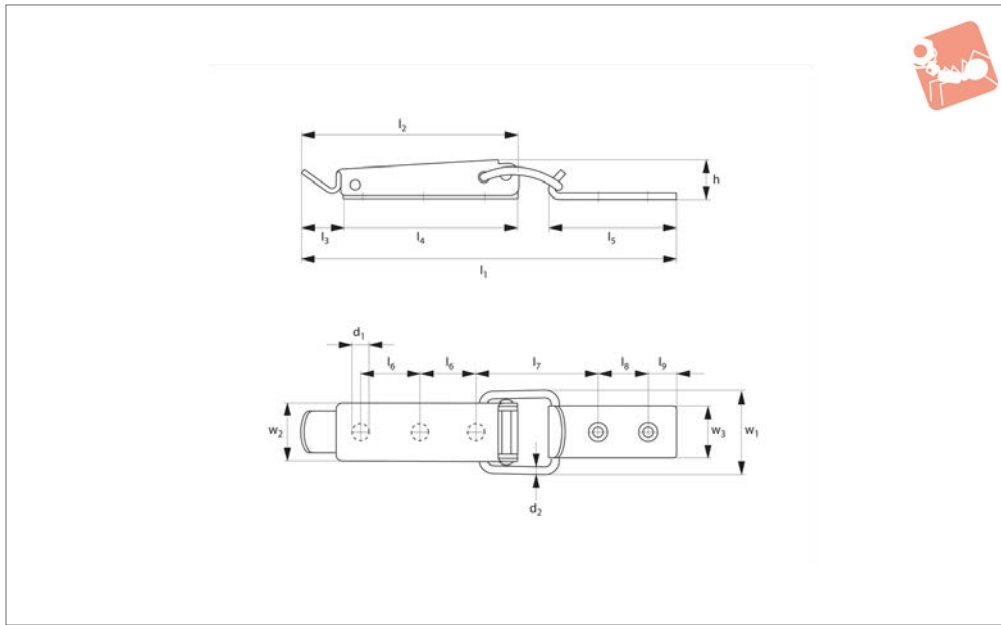


Material

All parts from stainless steel, AISI 304, satin finish. Fixing screws not included.

Order No.	l_1	h_1	w_1	$\text{Ø } d_1$	Load capacity kg	l_2	l_3	l_4	l_5	l_6	l_7	w_2	w_3	w_4 ± 0.2	Weight g
J0300.AC0030	80	19.5	33	4.3	80	36.5	30	13.5	5	17	5	32	25	13	110





J0400

DRAW LATCHES

Material

Steel, Fe P02 + P12, UNI5866, zinc plated.
Or stainless steel AISI 304, UNI x5crNi.

Technical Notes

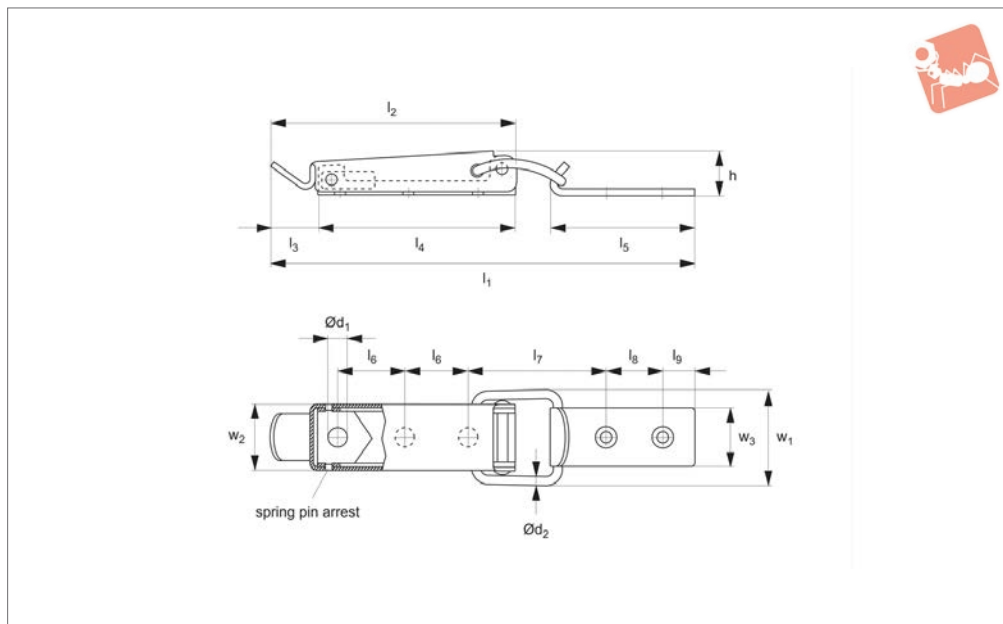
Supplied with counter strike.

Order No.	Finish	l_1	w_1 ± 0.5	h ± 0.5	$\varnothing d_1$	$\varnothing d_2$	l_2	l_3	l_4 ± 0.5	Weight g
J0400.AC0004	Zinc Plated Steel	193.5	43	19	5.3	4	112	21.5	90	190
J0400.AC0030	Stainless Steel	193.5	43	19	5.3	4	112	21.5	90	190

Order No.	l_5	l_6	l_7 ± 0.5	l_8	l_9	w_2 ± 0.5	w_3	Load N max.	Tension N max.
J0400.AC0004	66	31.5	58.5	25.5	15	30	27	2000	4000
J0400.AC0030	66	31.5	58.5	25.5	15	30	27	2000	4000



J0426



Material

Steel, Fe P02 + P12, UNI5866, zinc plated.
Or stainless steel AISI 304, UNI x5crNi.

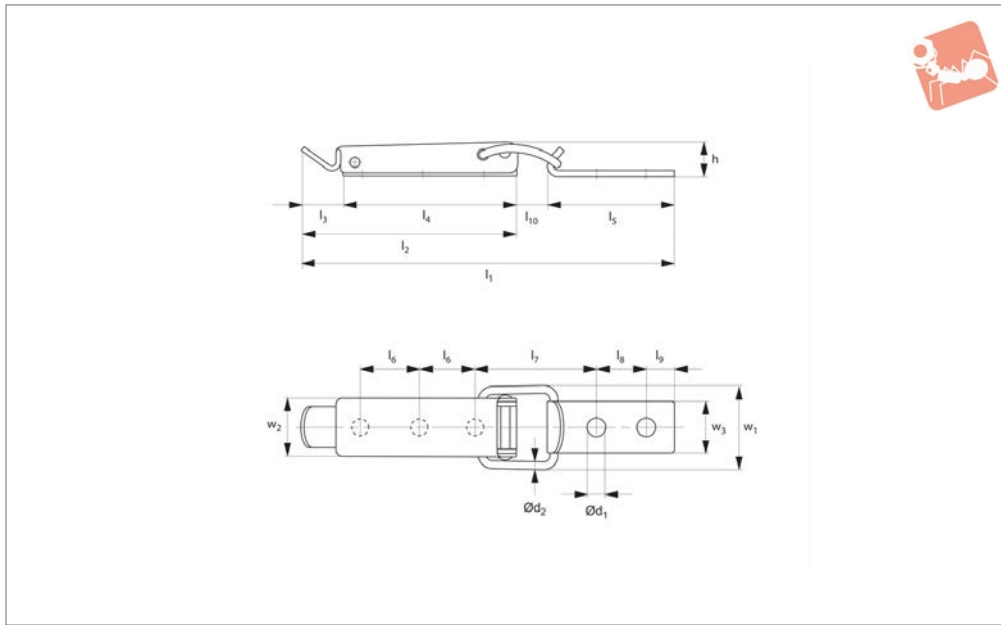
Technical Notes

Supplied with counter strike. Features a spring pin locking system, pin must be

depressed for the toggle latch to be released.

Order No.	Finish	l_1	w_1 ± 0.5	h ± 0.5	$\varnothing d_1$	$\varnothing d_2$	l_2	l_3	l_4 ± 0.5	Weight g
J0426.AC0004	Zinc Plated Steel	193.5	43	19	5.3	4	112	21.5	90	190
J0426.AC0030	Stainless Steel	193.5	43	19	5.3	4	112	21.5	90	190

Order No.	l_5	l_6	l_7 ± 0.5	l_8	l_9	w_2 ± 0.5	w_3	Load N max.	Tension N max.
J0426.AC0004	66	31.5	58.5	25.5	15	30	27	2000	4000
J0426.AC0030	66	31.5	58.5	25.5	15	30	27	2000	4000



J0428

DRAW LATCHES

Material

Steel, Fe P02 + P12, UNI5866, zinc plated.
Or stainless steel AISI 304, UNI x5crNi.

Technical Notes

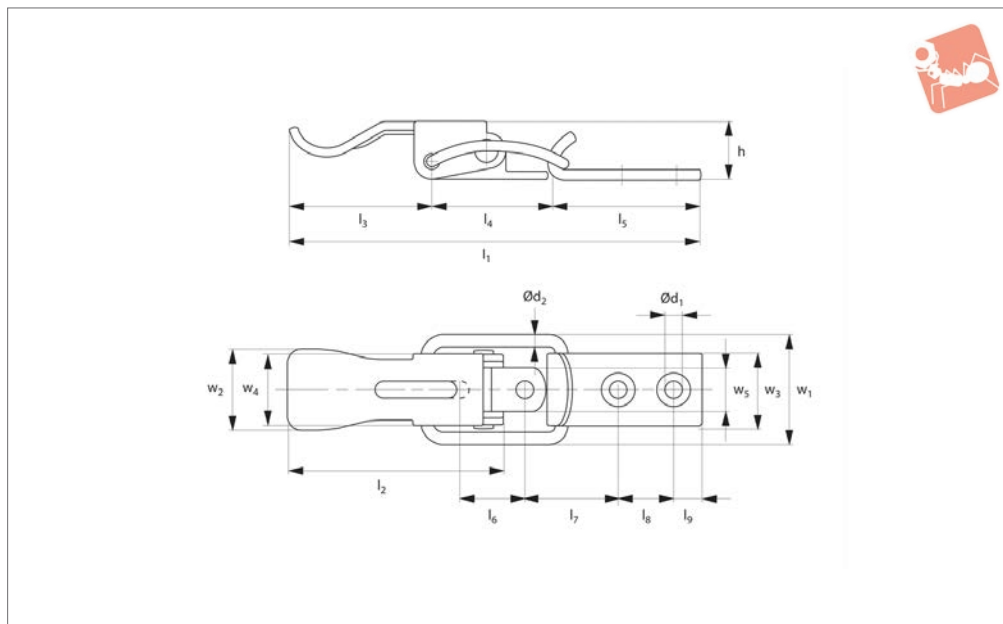
Supplied with counter strike.

Order No.	Finish	l_1	w_1	h	$\varnothing d_1$	$\varnothing d_2$	l_2	l_{10}	l_3	l_4	Weight g
J0428.AC0004	Zinc Plated Steel	140.5	34	12.5	4.1	3	86	11.5	16	70	75
J0428.AC0030	Stainless Steel	140.5	34	12.5	4.1	3	86	11.5	16	70	75

Order No.	l_5	l_6	l_7 ± 0.5	l_8	l_9	w_2	w_3	Load N max.	Tension N max.
J0428.AC0004	43	22.5	38	20	8	23	19	1500	3000
J0428.AC0030	43	22.5	38	20	8	23	19	1500	3000



J0434



Material

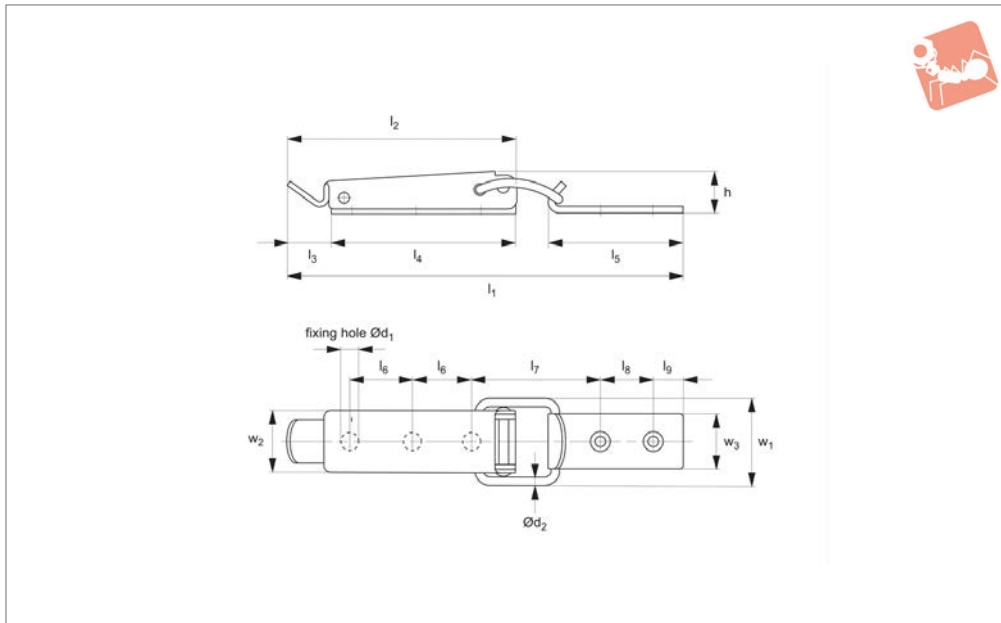
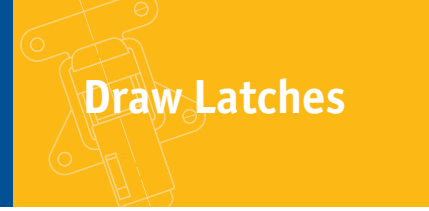
Steel, Fe P02 + P12, UNI5866, zinc plated.
Or stainless steel AISI 304, UNI x5crNi.

Technical Notes

Supplied with counter strike.

Order No.	Finish	l_1	w_1	h	$\varnothing d_1$	$\varnothing d_2$	l_2	l_3	l_4	l_5	Weight g
J0434.AC0004	Zinc plated steel	76.5	21	10.7	3.2	2	39.5	25	22	28	15
J0434.AC0030	Stainless steel	76.5	21	10.7	3.2	2	39.5	25	22	28	15

Order No.	l_6	l_7	l_8	l_9	w_2	w_3	w_4	w_5	Load N max.	Tension N max.
J0434.AC0004	15	18	10	5	15	13	12.9	8	400	1000
J0434.AC0030	15	18	10	5	15	13	12.9	8	400	1000



J0440

DRAW LATCHES

Material

Steel, Fe P02 + P12, UNI5866, zinc plated.
Or stainless steel AISI 304, UNI x5crNi.

Technical Notes

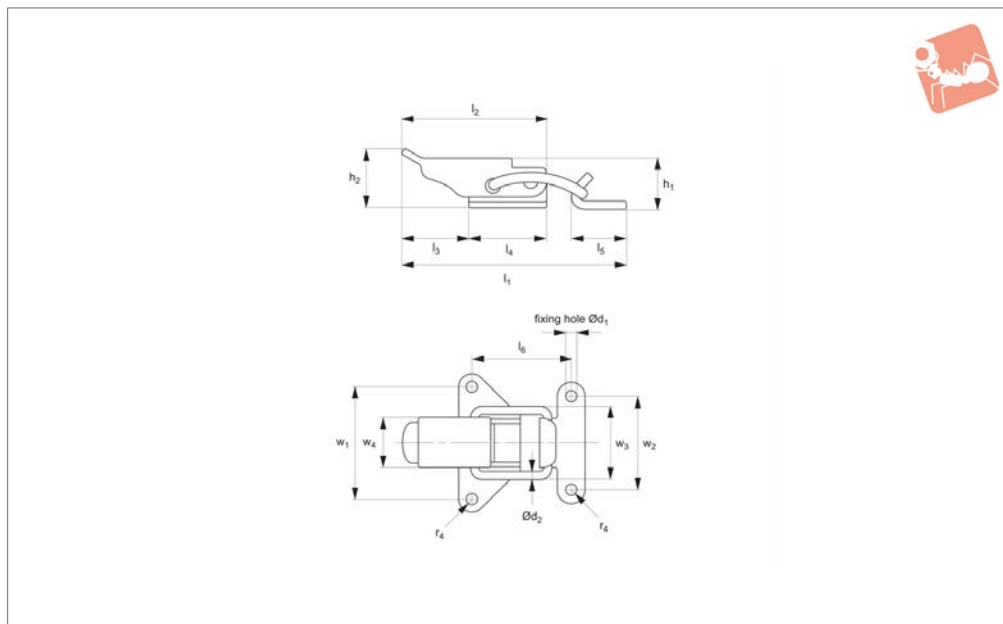
Supplied with counter strike.

Order No.	Finish	l_1	w_1	h	$\text{Ø} d_1$	d_2	l_2	l_3	l_4	Weight g
J0440.AC0004	Zinc Plated Steel	102	23	11	3.2	2	60	16	44	30
J0440.AC0030	Stainless Steel	102	23	11	3.2	2	60	16	44	30

Order No.	l_5	l_6	l_7 ± 0.5	l_8	l_9	w_2	w_3	Load N max.	Tension N max.
J0440.AC0004	30	12.5	34.5	12	5	16.4	13	550	1300
J0440.AC0030	30	12.5	34.5	12	5	16.4	13	350	1000



J0480



Material

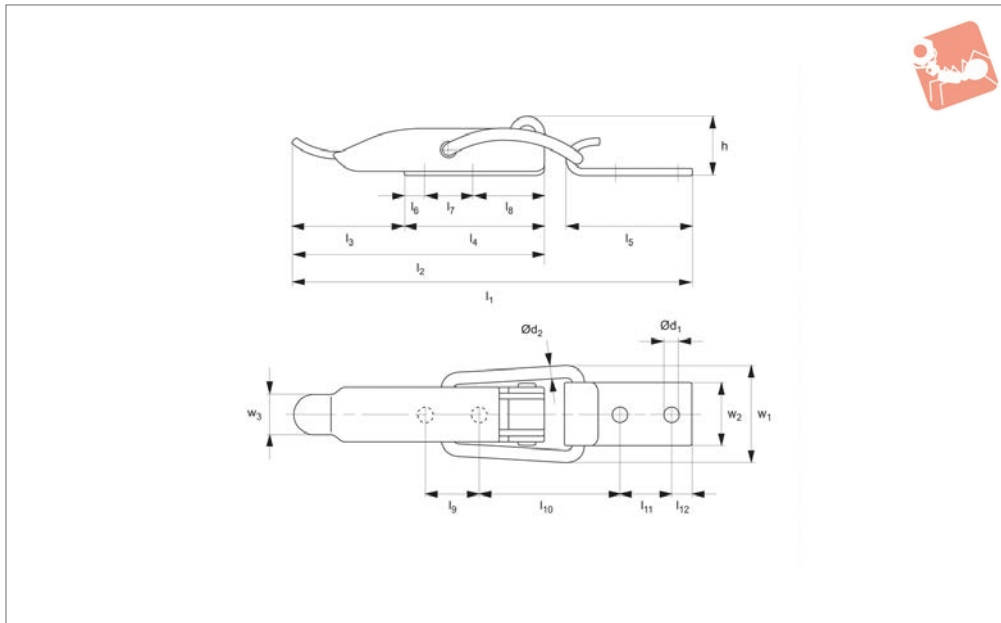
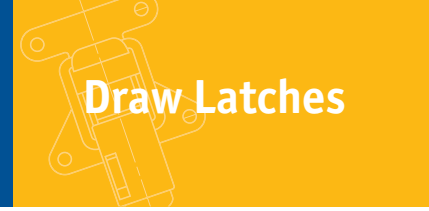
Steel, Fe P02 + P12, UNI5866, zinc plated.
Or stainless steel AISI 304, UNI x5crNi.

Technical Notes

Supplied with counter strike.

Order No.	Finish	l_1	h_1	w_1	$\varnothing d_1$	$\varnothing d_2$	l_2	h_2 ± 0.5	Weight g
J0480.AC0004	Zinc Plated Steel	52	11	33	3.5	2	34	12	20
J0480.AC0030	Stainless Steel	52	11	33	3.5	2	34	12	20

Order No.	l_3	l_4	l_5	l_6 ± 0.5	w_2	w_3 $-1 \mid 0$	w_4	Load N max.	Tension N max.
J0480.AC0004	16	18	13	28.5	28	23	15	550	1500
J0480.AC0030	16	18	13	28.5	28	23	15	550	1500



J0550

DRAW LATCHES

Material

Steel, Fe P02 + P12, UNI5866, zinc plated.
Or stainless steel AISI 304, UNI x5crNi.

Technical Notes

Supplied with counter strike.

Order No.	Finish	l_1	w_1	h	$\varnothing d_1$	$\varnothing d_2$	l_2	$l_{10} +0.5$	l_{11}	l_{12}	Weight g
J0550.AC0004	Zinc Planted Steel	114	28	17	4.1	3	72	40.5	15	5	50
J0550.AC0030	Stainless Steel	114	28	17	4.1	3	72	40.5	15	5	50

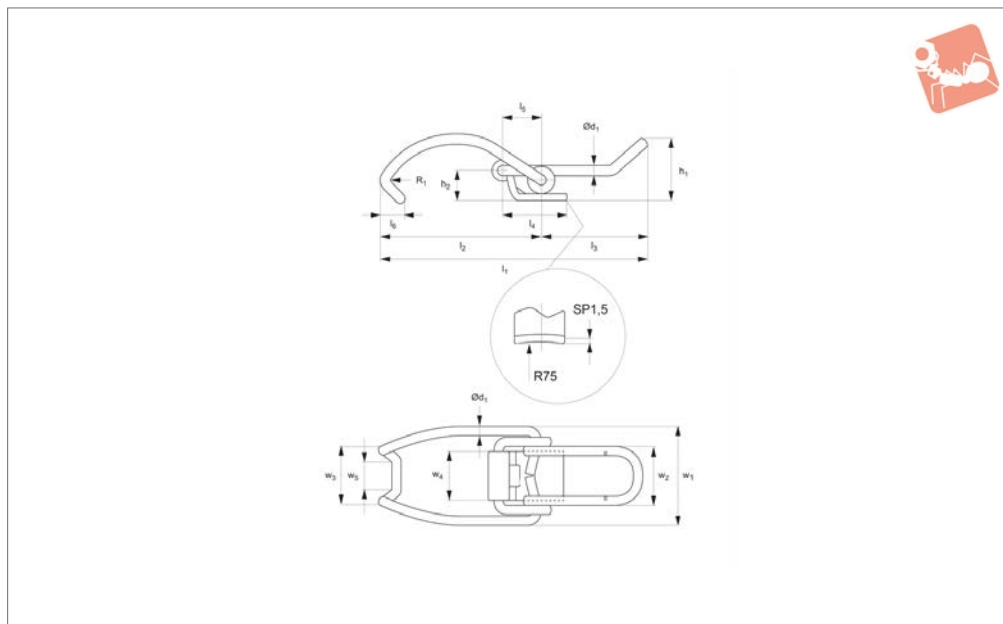
Order No.	l_3	l_4	l_5	l_6	l_7	l_8	$l_9 \pm 0.5$	w_2	w_3	Load N max.	Tension N max.
J0550.AC0004	31	41	36	7	15.5	18.5	15.5	19	12	1000	2500
J0550.AC0030	31	41	36	7	15.5	18.5	15.5	19	12	1000	2500



DRAW LATCHES



J0554



Material

Steel, Fe P02 + P12, UNI5866, zinc plated.

Technical Notes

Counter strike not supplied.

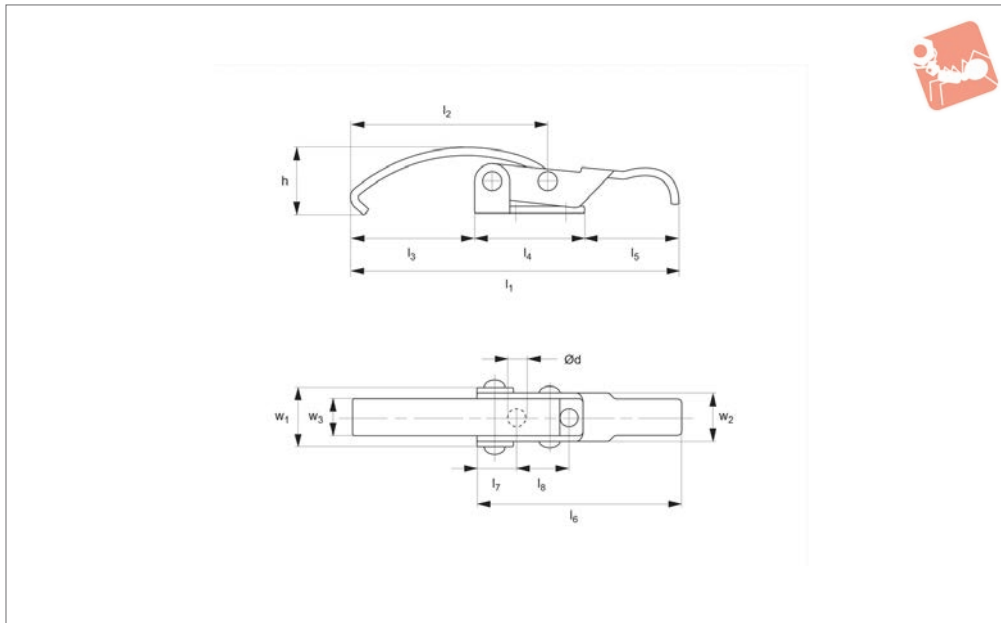
Order No.	Finish	l_1	h_1	w_1 0 -1	$\varnothing d_1$	l_2	h_2	l_3	Weight g
J0554.AC0004	Zinc Plated Steel	81	18	30	2.5	49	9	32	18
Order No.	l_4	l_5 ± 0.1	l_6	w_2	w_3	w_4	w_5	Load N max.	Tension N max.
J0554.AC0004	20	12	7	18	17	15	8.8	300	600



Toggle Latches

spring clip, stainless steel

Draw Latches



J0556

DRAW LATCHES

Material

Steel, Fe P02 + P12, UNI5866, zinc plated.
Or stainless steel AISI304, UNI x5crNi.

Technical Notes

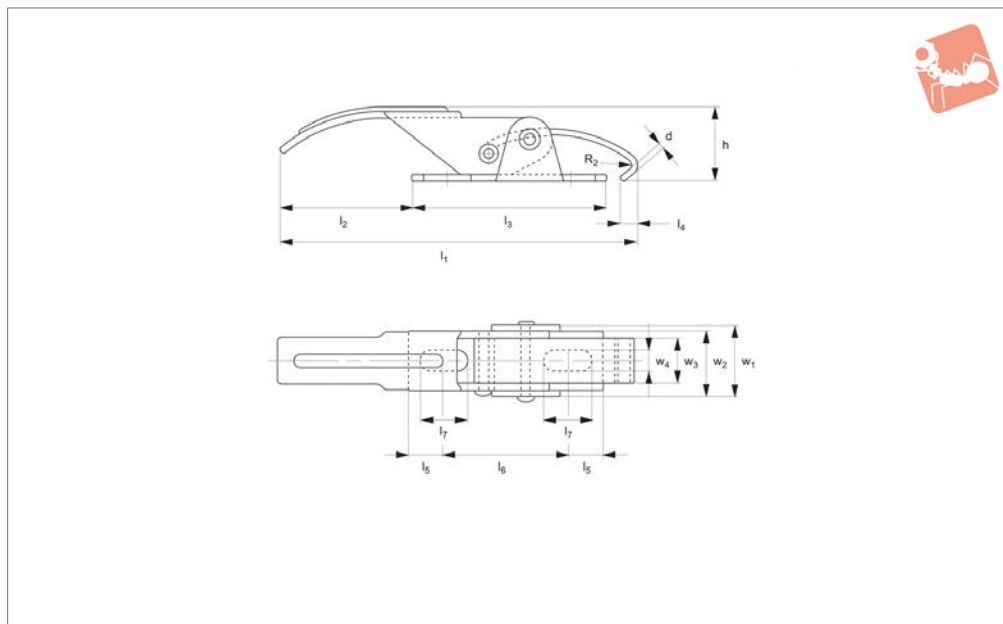
Counter strike not supplied.

Order No.	Finish	l_1	w_1	h	$\varnothing d$	l_2	l_3	l_4	Weight g
J0556.AC0004	Zinc Plated Steel	90	17	17	5	54	34	30	30
J0556.AC0030	Stainless Steel	90	17	17	5	54	34	30	30

Order No.	l_5	l_6	l_7	l_8	w_2	w_3	Load N max.	Tension N max.
J0556.AC0004	26	56	11	14	13.5	10	500	900
J0556.AC0030	26	56	11	14	13.5	10	500	900



J0558



Material

Steel, Fe P02 + P12, UNI5866, zinc plated.

Technical Notes

Counter strike not supplied.

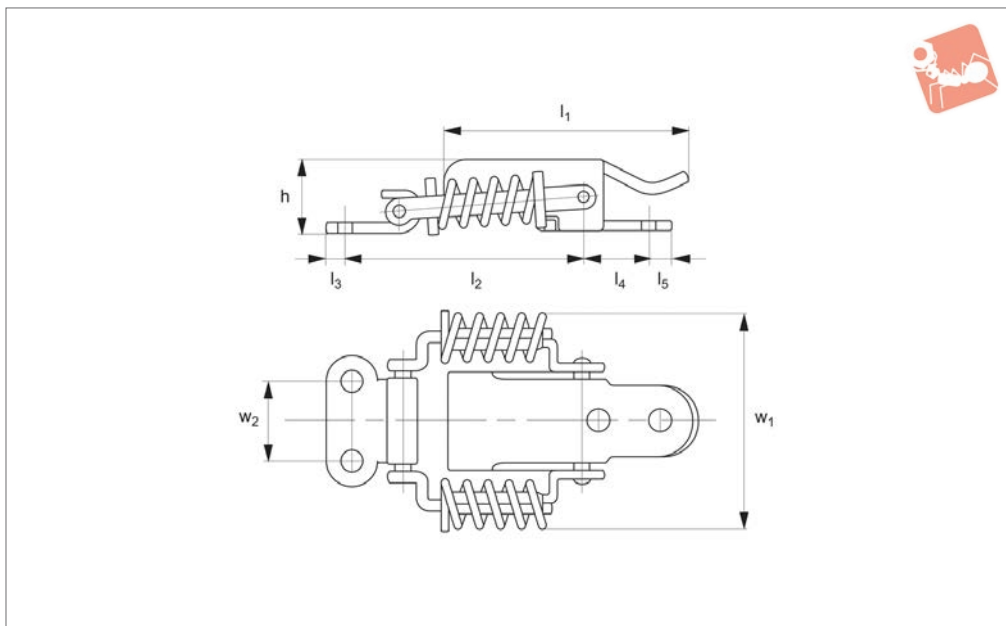
Order No.	Finish	l_1	w_1	h	d	l_2	l_3	l_4	Weight g
J0558.AC0004	Zinc Plated Steel	128.5	26	27	1.5	47.5	70	6.5	100
Order No.	l_5	l_6	l_7	w_2	w_3	w_4	Load N max.	Tension N max.	
J0558.AC0004	12.5	45	17	22	16	7	750	1500	



Toggle Latches

with tension springs, **stainless steel**

Draw Latches



J0620

DRAW LATCHES

Material

Steel, Fe P02 + P12, UNI5866, zinc plated.
Or stainless steel AISI304, UNI x5crNi.

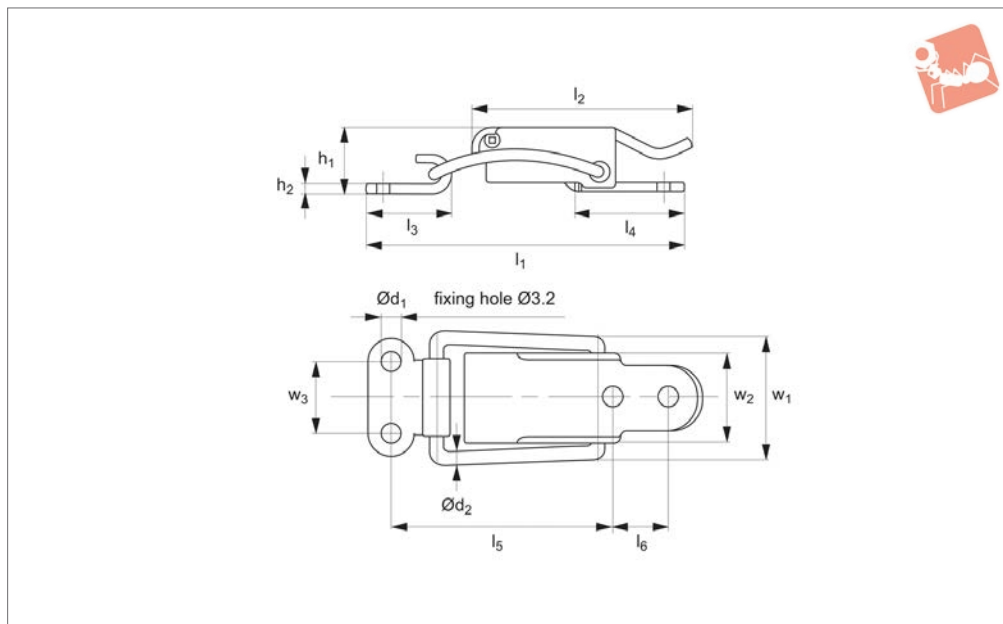
Technical Notes

Supplied with counter strike.

Order No.	Finish	l_1	w_1	h	$\varnothing d_1$	l_2	l_3	l_4	l_5	w_2	w_3	Load N max.	Tension N max.	Weight g
J0620.AC0008	Zinc Plated	60 to 63	37	12.5	3.2	38 to 41	4	10	5.5	14	15	500	1500	35
J0620.AC0030	Stainless Steel	60 to 63	37	12.5	3.2	38 to 41	4	10	5.5	14	15	500	1500	35



J0640



Material

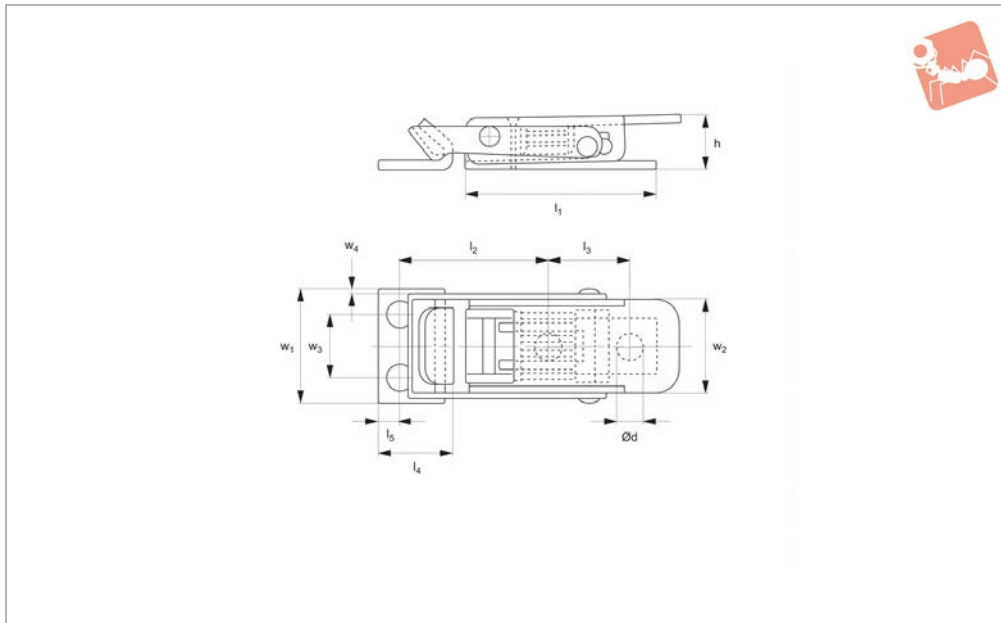
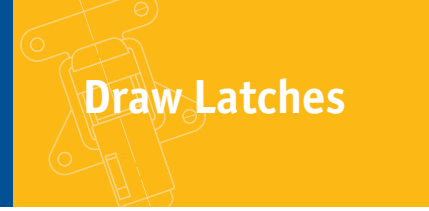
Steel, Fe P02 + P12, UNI5866, zinc plated.
Or stainless steel AISI 304, UNI x5crNi.

Technical Notes

Supplied with counter strike.

Order No.	Finish	l_1	h_1	w_1	$\text{Ø} d_1$	$\text{Ø} d_2$	l_2	h_2	Weight g
J0640.AC0008	Zinc Plated	55	12	23	3.2	2	40	1.5	20
J0640.AC0030	Stainless Steel	55	12	23	3.2	2	40	1.5	20

Order No.	l_3	l_4	l_5 ± 0.3	l_6	w_2	w_3	Load N max.	Tension N max.
J0640.AC0008	15	21	35	10	15	14	550	1000
J0640.AC0030	15	21	35	10	15	14	550	1000



J0642

DRAW LATCHES

Material

Steel, Fe P02 + P12, UNI5866, zinc plated.

Technical Notes

Supplied with counter strike.

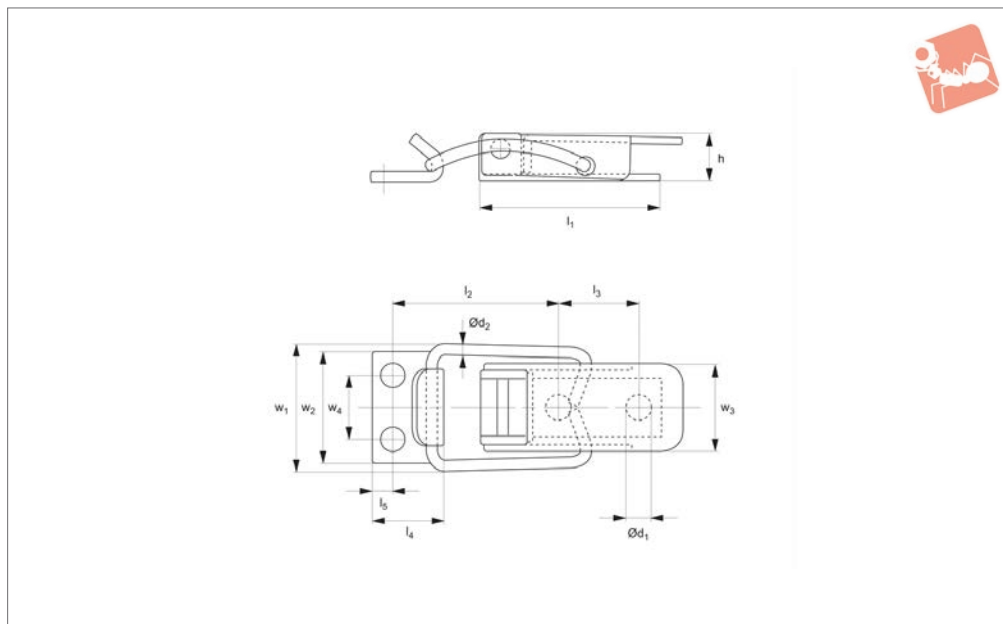
Order No.	Finish	l_1	w_1	h	$\varnothing d$	l_2 ± 0.3	Weight g	
J0642.AC0008	Zinc plated	23	14	6.5	3.2	18	15	
Order No.	l_3	l_4	l_5	w_2	w_3	w_4	Load N max.	Tension N max.
J0642.AC0008	10	9	2.5	11.2	8	0.6	150	300



DRAW LATCHES



J0644



Material

Steel, Fe P02 + P12, UNI5866, zinc plated.

Technical Notes

Supplied with counter strike.

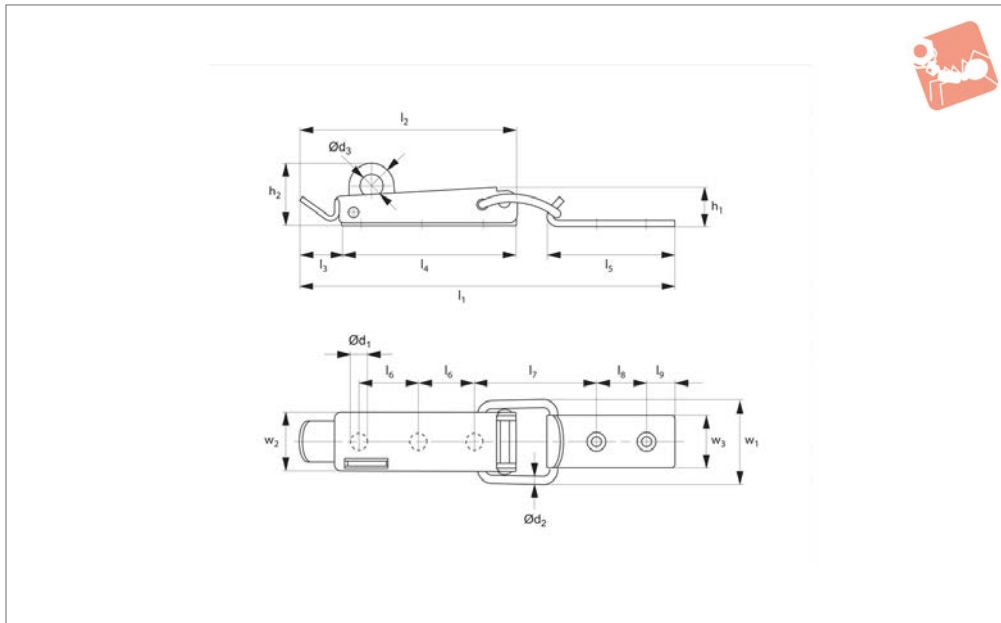
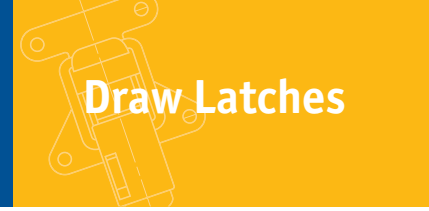
Order No.	Finish	l_1	w_1	h	$\varnothing d_1$	$\varnothing d_2$	l_2 ± 0.3	Weight g
J0644.AC0008	Zinc Plated	23	16	6	3.2	1.4	21.5	15
Order No.	l_3	l_4	l_5	w_2	w_3	w_4	Load N max.	Tension N max.
J0644.AC0008	10	9	2.5	14	11.2	8	150	300



Toggle Latches

with padlock shackle, **stainless steel**

Draw Latches



J0420

DRAW LATCHES

Material

Steel, Fe P02 + P12, UNI5866, Zinc plated.
Or stainless steel AISI 304, UNI x5crNi.

Technical Notes

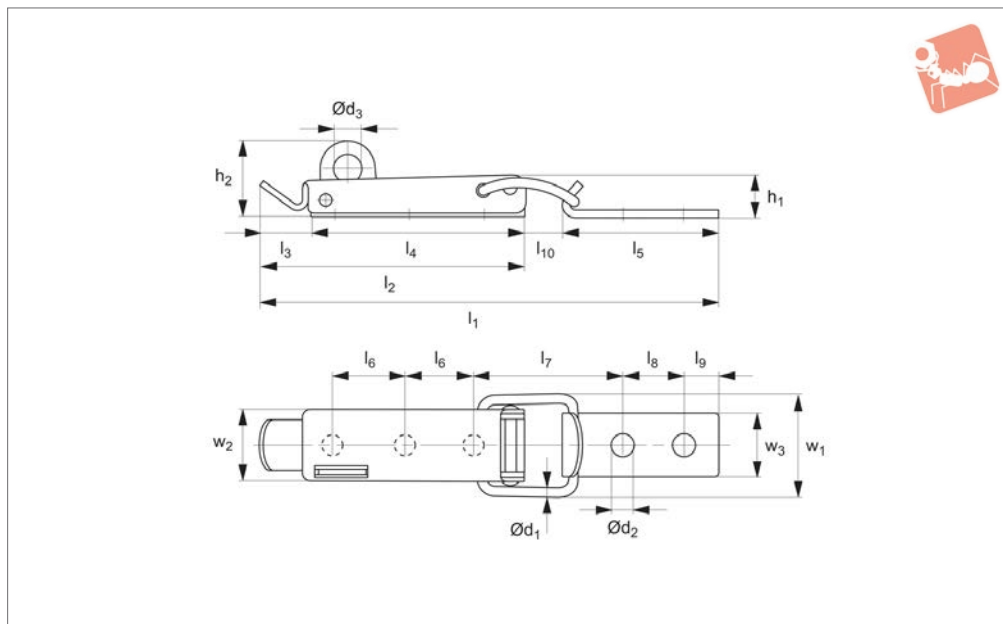
Supplied with counter strike.

Order No.	Finish	l_1	h_1 ± 0.5	w_1 ± 0.5	$\varnothing d_1$	$\varnothing d_2$	$\varnothing d_3$	h_2	h_3	l_2	Weight g
J0420.AC0004	Zinc Plated Steel	193.5	19	43	5.3	4	11	30.5	20.5	112	190
J0420.AC0030	Stainless Steel	193.5	19	43	5.3	4	11	30.5	20.5	112	190

Order No.	l_3	l_4 ± 0.5	l_5	l_6	l_7 ± 0.5	l_8	l_9	l_{10} ± 0.5	w_2 ± 0.5	w_3	l_{11}	Load N max.	Tension N max.
J0420.AC0004	21.5	90	66	31.5	58.5	25.5	15	23.5	30	27	82.5	2000	4000
J0420.AC0030	21.5	90	66	31.5	58.5	25.5	15	23.5	30	27	82.5	2000	4000



J0430



Material

Steel, Fe P02 + P12, UNI5866, zinc plated.
Or stainless steel AISI 304, UNI x5crNi.

Technical Notes

Supplied with counter strike. Use a padlock of 7mm dia. or less.

Order No.	Finish	l_1	h_1	w_1	$\varnothing d_1$	$\varnothing d_2$	$\varnothing d_3$	h_2	l_2	l_3	Weight g
J0430.AC0004	Zinc Plated Steel	140.5	12.5	34	3	4.1	7	20	86	16	80
J0430.AC0030	Stainless Steel	140.5	12.5	34	3	4.1	7	20	86	16	80

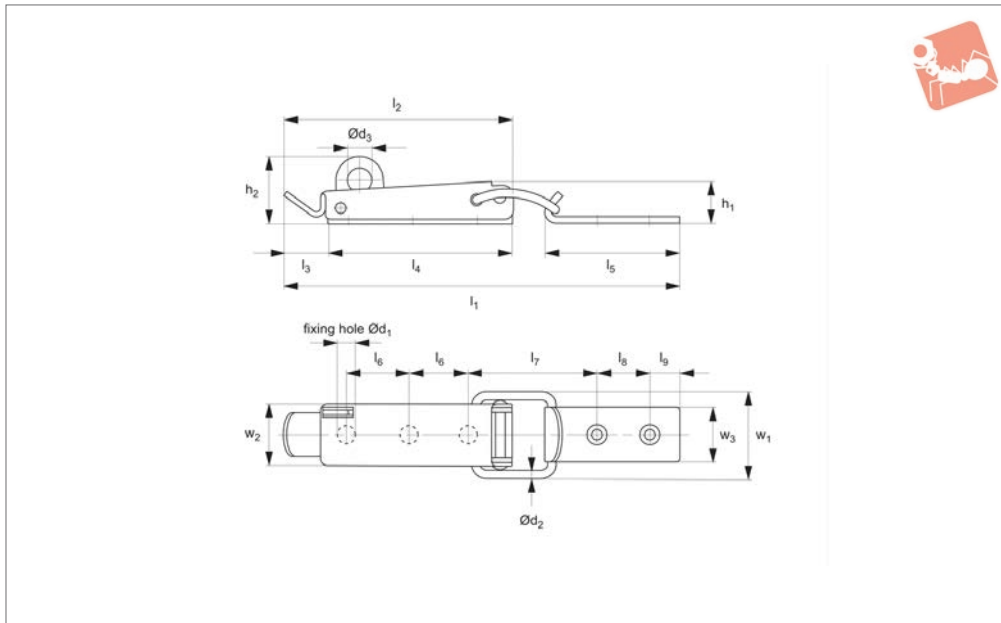
Order No.	l_4	l_5	l_6	l_7 ± 0.5	l_8	l_9	l_{10}	w_2	w_3	Load N max.	Tension N max.
J0430.AC0004	70	43	22.5	38	20	8	11.5	23	19	1500	3000
J0430.AC0030	70	43	22.5	38	20	8	11.5	23	19	1500	3000



Toggle Latches

with padlock shackle, **stainless steel**

Draw Latches



J0460

DRAW LATCHES

Material

Steel, Fe P02 + P12, UNI5866, zinc plated.
Or stainless steel AISI 304, UNI x5crNi.

Technical Notes

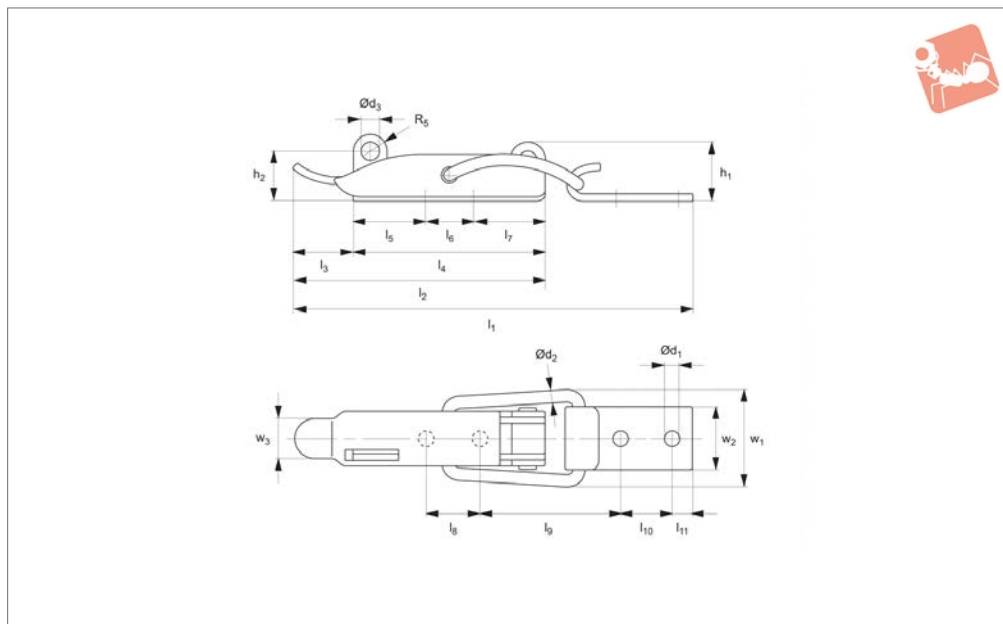
Supplied with counter strike.

Order No.	Finish	l_1	h_1	w_1	$\varnothing d_1$	$\varnothing d_2$	$\varnothing d_3$	h_2	l_2	l_3	Weight g
J0460.AC0004	Zinc Plated Steel	102	11	23	3.2	2	4	15.5	60	16	30
J0460.AC0030	Stainless Steel	102	11	23	3.2	2	4	15.5	60	16	30

Order No.	l_4	l_5	l_6	l_7 ± 0.5	l_8	l_9	w_2	w_3	Load N max.	Tension N max.
J0460.AC0004	44	30	12.5	34.5	12	5	16.4	13	550	1300
J0460.AC0030	44	30	12.5	34.5	12	5	16.4	13	350	1000



J0552



Material

Steel, Fe P02 + P12, UNI5866, zinc plated.
Or stainless steel AISI304, UNI x5crNi.

Technical Notes

Supplied with counter strike. Use a padlock of 5,5mm dia. or less.

Order No.	Finish	l_1	h_1	w_1	$\varnothing d_1$	$\varnothing d_2$	$\varnothing d_3$	h_2	l_2	l_3	l_4	Weight g
J0552.AC0004	Zinc Plated Steel	114	17	28	4.1	3	5.5	14	72	17	55	55
J0552.AC0030	Stainless Steel	114	17	28	4.1	3	5.5	14	72	17	55	55

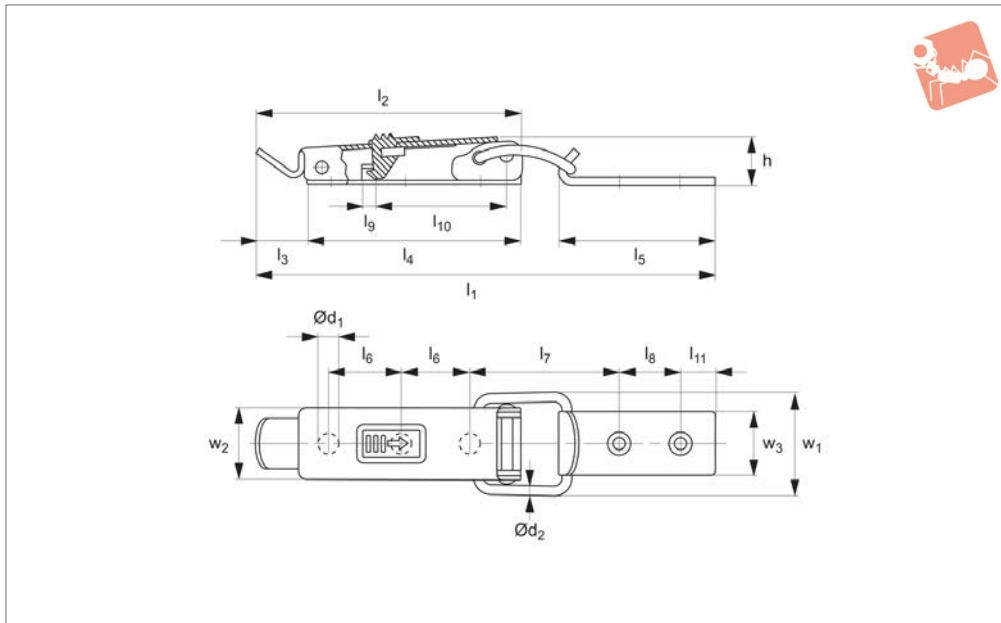
Order No.	l_5	l_6	l_7	l_8	$l_9 \pm 0.5$	l_{10}	w_2	w_3	l_{11}	Load N max.	Tension N max.
J0552.AC0004	21	15.5	18.7	15.5	40.5	15	19	12	5	1000	2500
J0552.AC0030	21	15.5	18.7	15.5	40.5	15	19	12	5	1000	2500



Toggle Latches

with secondary lock, **stainless steel**

Draw Latches



J0422

DRAW LATCHES

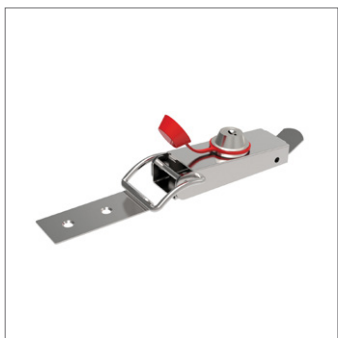
Material

Stainless steel AISI 304, UNI x5crNi.

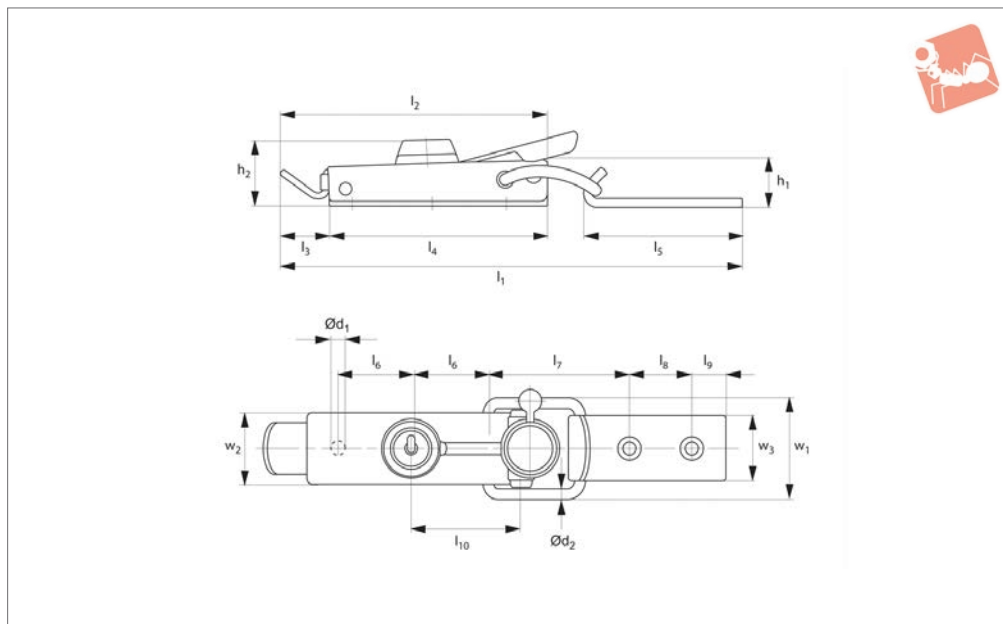
Technical Notes

Supplied with counter strike.

Order No.	Finish	l_1	h ± 0.5	w_1 ± 0.5	$\varnothing d_1$	$\varnothing d_2$	l_2	l_3	l_4 ± 0.5	l_5	Weight g
J0422.AC0030	Stainless Steel	193.5	19	43	5.3	4	112	21.5	90	66	190
Order No.	l_6	l_7 ± 0.5	l_8	l_9	l_{10}	w_2 ± 0.5	l_{11} l_1	w_3	Load N max.	Tension N max.	
J0422.AC0030	31.5	58.5	25.5	4	55	30	15	27	2000	4000	



J0424



Material

Draw hook and pin in stainless steel, body steel.

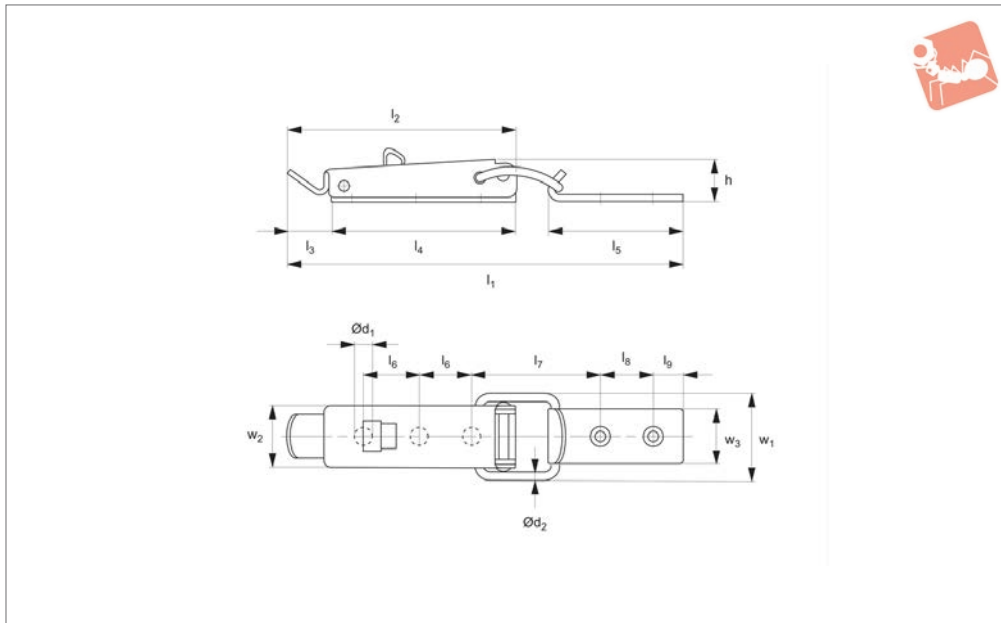
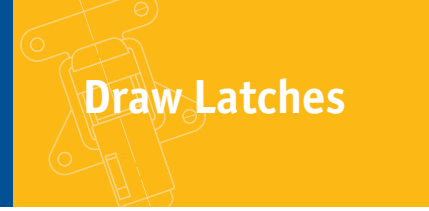
Order No.	Finish	l_1	h_1 ± 0.5	w_1 ± 0.5	$\varnothing d_1$	$\varnothing d_2$	l_2	h_2 ± 0.5	l_3	l_4 ± 0.5	Weight g
J0424.AC0030	Delta Zinc Plated	193.5	19	43	5.3	4	112	27.5	21.5	90	190
Order No.	l_5	l_6	l_7 ± 0.5	l_8	l_9	l_{10} ± 0.5	w_2 ± 0.5	w_3	Load N max.	Tension N max.	
J0424.AC0030	66	31.5	58.5	25.5	15	44	30	27	2000	4000	



Toggle Latches

with secondary lock, **stainless steel**

Draw Latches



J0462

DRAW LATCHES

Material

Steel, Fe P02 + P12, UNI5866, zinc plated.
Or stainless steel AISI 304, UNI x5crNi.

Technical Notes

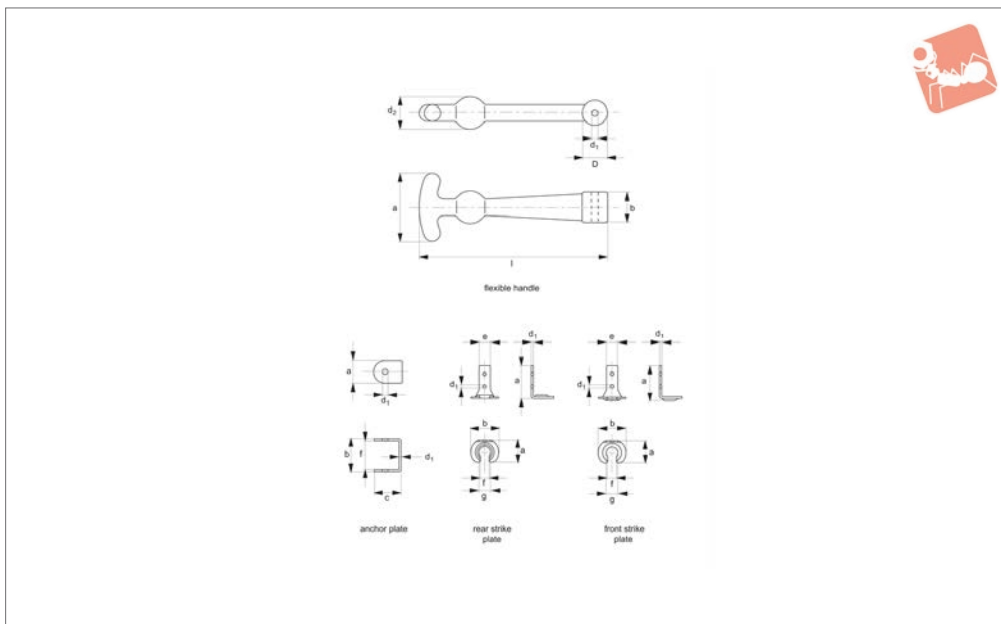
Supplied with counter strike.

Order No.	Finish	l_1	h	w_1	$\varnothing d_1$	$\varnothing d_2$	l_2	l_3	l_4	Weight g
J0462.AC0004	Zinc Plated Steel	102	11	23	3.2	2	60	16	44	30
J0462.AC0030	Stainless Steel	102	11	23	3.2	2	60	16	44	30

Order No.	l_5	l_6	l_7 ± 0.5	l_8	l_9	w_2	w_3	Load N max.	Tension N max.
J0462.AC0004	30	12.5	34.5	12	5	16.4	13	550	1300
J0462.AC0030	30	12.5	34.5	12	5	16.4	13	350	1000



J0710



Material

Handle: black rubber, 65/70 shore hardness.

Anchor Plate and Strike Plate: steel, zinc plated.

Supplied with cotter pin for assembly.

Technical Notes

Flexible handle J0710.AC0148 supplied

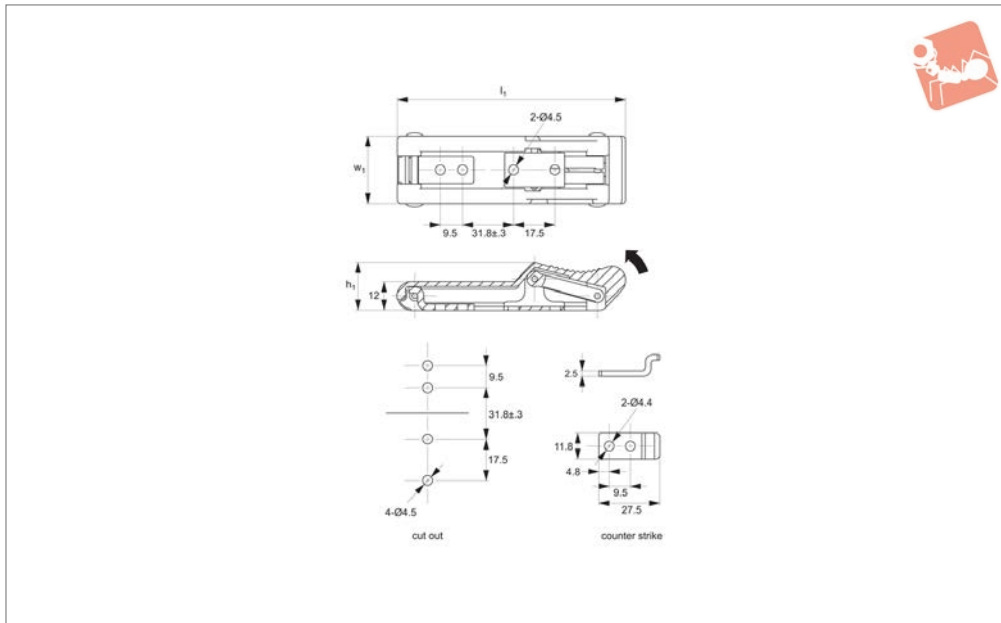
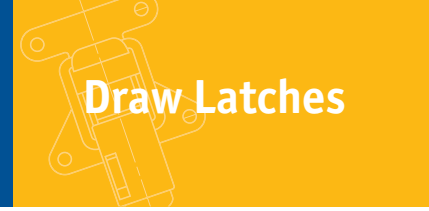
with split cotter pin 3.2 dia x 55 long for mounting onto anchor plate.

Important Notes

Please order anchor plate and strike plate separately, to best suit your application.

Front strike plate is mounted underneath the flexible handle. Rear strike plate is mounted away from the flexible handle.

Order No.	Type	l	a	b	Ø d ₁	Ø d ₂	Ø d ₃	c	e	f	g
J0710.AC0148	Flexible Handle	148	53	24	20	26	4	-	-	-	-
J0710.AC0010	Anchor Plate	-	20	30	2	-	5	25	-	26	-
J0710.AC0020	Rear Strike Plate	-	32	40	2	-	4	50	16	15	18
J0710.AC0022	Front Strike Plate	-	32	38	2	-	4	44	16	15	18



J0712

DRAW LATCHES

Material

Handle: rubber, black.

Counter strike and bracket: stainless steel.

Not supplied: fixing screws.

catch. Pull back and down to lock.

Tips

Flexible rubber allows latch to stretch over

Order No.
J0712.AW0010

l_1
96.5

w_1
29

h_1
20