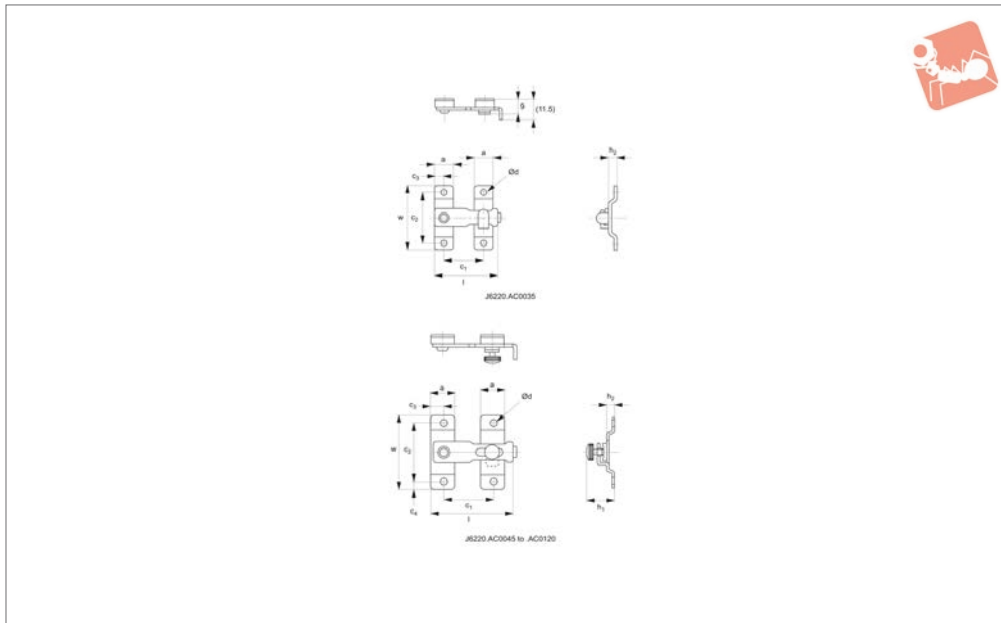




Bar Latches

with thumb screw, **stainless steel**

Catches & Latches



J6220

CATCHES & LATCHES

Material

Stainless steel AISI 304, polished.

latch closed.

Note: J6220.AC0035 has no thumb screw.

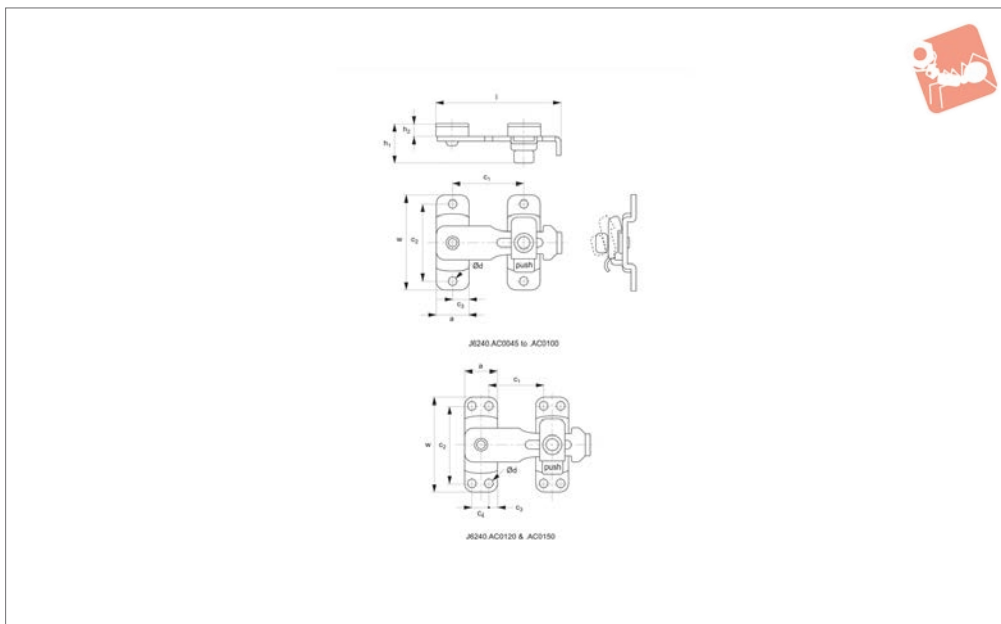
Important Notes

Latch with thumb screw on strike to keep

Order No.	l	w	a	c ₁	c ₂	c ₃	c ₄	h ₁	h ₂	Ø d	Weight g
J6220.AC0035	35	35	10	22	28	5.0	3.5	-	4.2	3.3	19
J6220.AC0045	45	40	13	28	32	6.5	4.0	15	4.5	3.3	28
J6220.AC0055	55	46	16	35	37	8.0	4.5	19	6.0	4.0	50
J6220.AC0080	81	65	20	52	53	10.0	6.0	23	7.0	4.8	100
J6220.AC0100	100	80	25	60	66	12.5	7.0	29	8.0	5.5	200
J6220.AC0120	120	100	30	75	80	15.0	10.0	30	8.0	6.5	295



J6240



Material

Stainless steel AISI 304, polished.

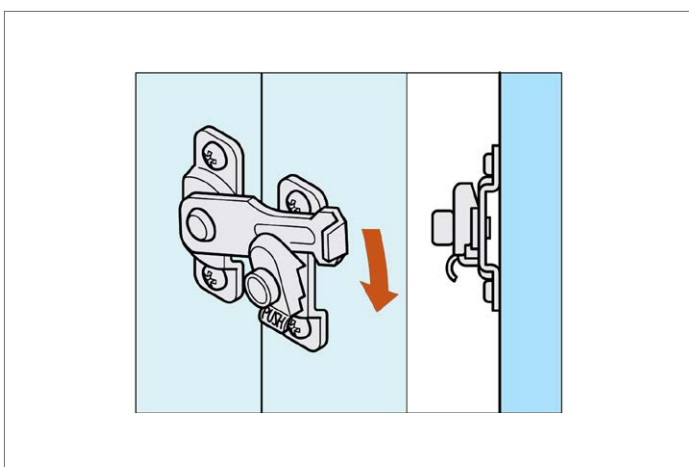
prevent accidental release, and hence latch can be used upside down.

Technical Notes

Latch snaps into spring loaded strike to

Push tab on strike to release.

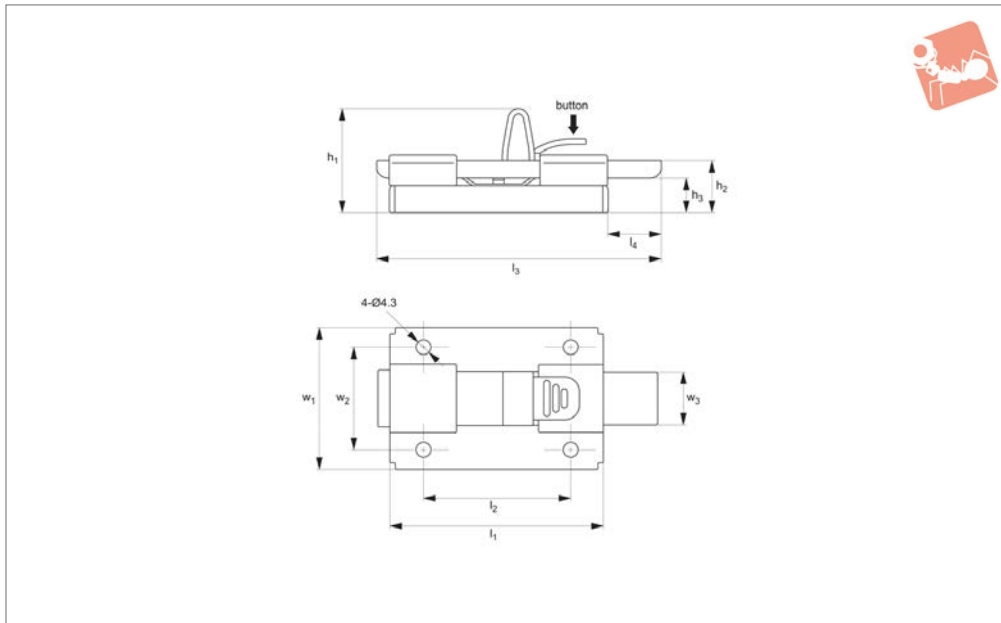
Order No.	l	w	a	c ₁	c ₂	c ₃	c ₄	h ₁	h ₂	Ø d	Weight g
J6240.AC0045	48	40	13.0	23 ±3	32	6.50	-	17.0	4.5	3.2	28
J6240.AC0060	63	46	16.0	34 ±4	37	8.00	-	20.0	6.0	4.2	50
J6240.AC0080	85	65	20.0	47 ±7	53	10.00	-	22.5	7.0	5.0	100
J6240.AC0100	105	80	25.0	59 ±7	66	12.50	-	26.5	8.0	5.5	182
J6240.AC0120	127	100	28.5	56 ±10	80	6.75	15	28.0	8.0	6.2	270
J6240.AC0150	155	120	30.5	74 ±14	95	7.25	16	28.0	8.0	6.2	350





Slide Bar Latch stainless steel

Catches & Latches



J6260

CATCHES & LATCHES

Material

Stainless steel.

Not supplied: fixing screws.

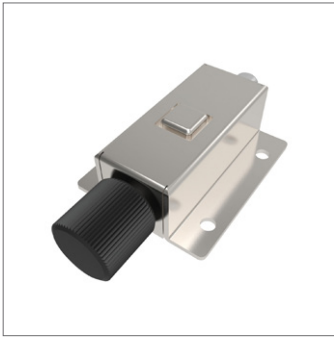
Tips

Push button to adjust/move bolt.

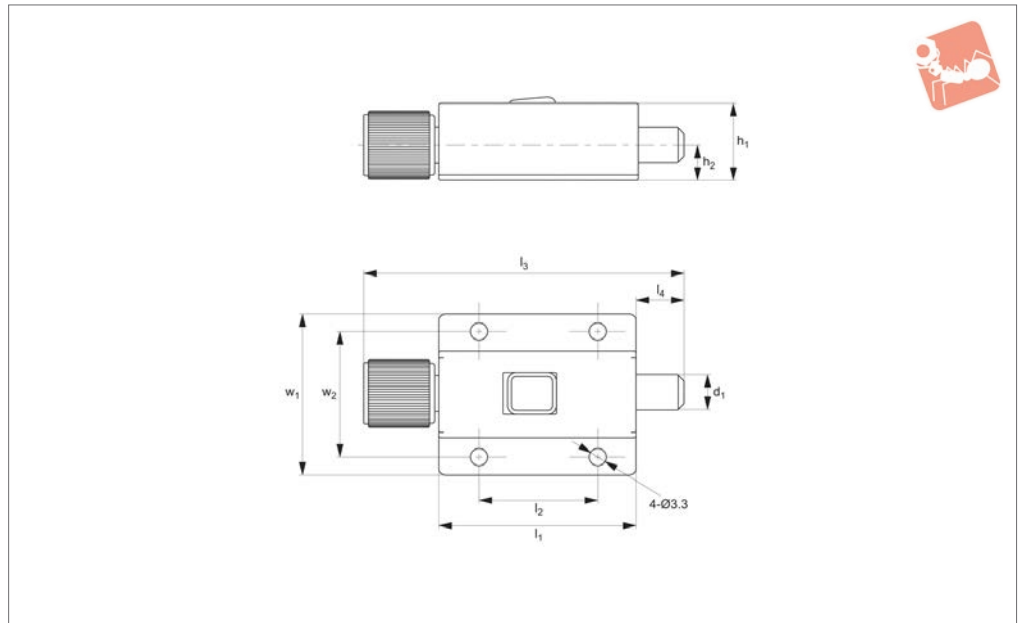
l_3 max. extension of latch bolt stroke=

14,5mm.

Order No.	l_1	l_2	l_3	h_1	h_2	h_3	l_4	w_1	w_2	w_3	Stroke
J6260.AW0010	65	45	85.5	31.3	15.5	10	16.7	44	32.5	18	14.5



J6262



Material

Housing: stainless steel.
Bolt: steel, chrome plated.

Grip: plastic.

Tips

Push button to adjust/move bolt.

l_3 max. extension of latch bolt stroke= 14,5mm.

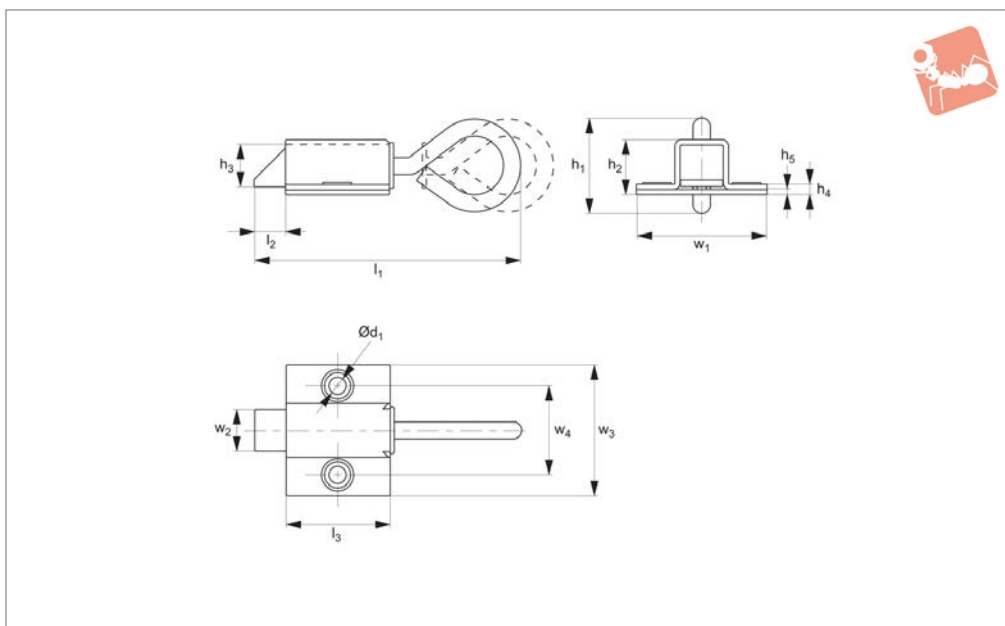
Order No.	l_1	d_1	l_2	l_3	h_1	h_2	l_4	w_1	w_2	Stroke
J6262.AW0010	40	7	25	64	15	7	9	33.5	26.5	9



Slide Bar Latches - Pull Ring

steel

Catches & Latches



J6266

CATCHES & LATCHES

Material

Body: steel, zinc plated.

Technical Notes

Mounted via 2 x M5 screws (not supplied).

Tips

Easy actuation using pull ring, catch has stroke of 9,5mm.

Order No.	l_1	l_2 stroke	l_3	h_1	h_2	h_3	h_4	h_5	$\varnothing d_1$	w_1	w_2	w_3	w_4
J6266.AW0010	83	9.5	34	28	16.5	12.7	3	1.5	5.3	39	12.7	39	26.9