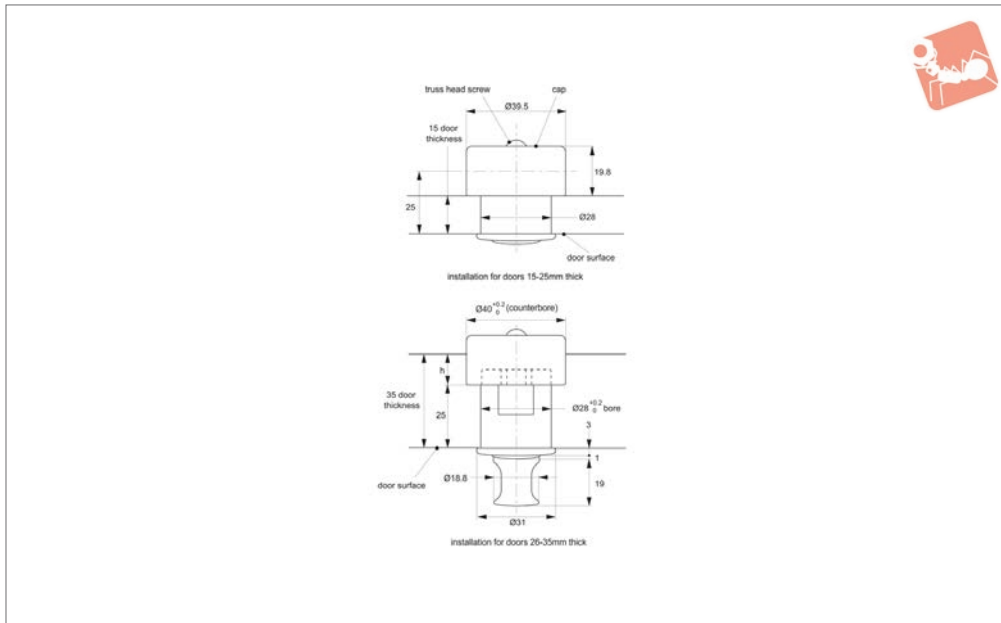




# Push Knobs no latch

# Catches & Latches



**E0300**

**Material**

Push knob: zinc alloy, plated gold or chrome.  
Body: ABS plastic, black.

35mm.

When installed push knob is near flush with surface, raised only 4mm.  
Supplied with screws (M 3x20).

bore is required.

For surfaces 26 to 35mm thick, 40mm dia. counter bore of depth „h“ is required.  
h = door thickness - 25mm.

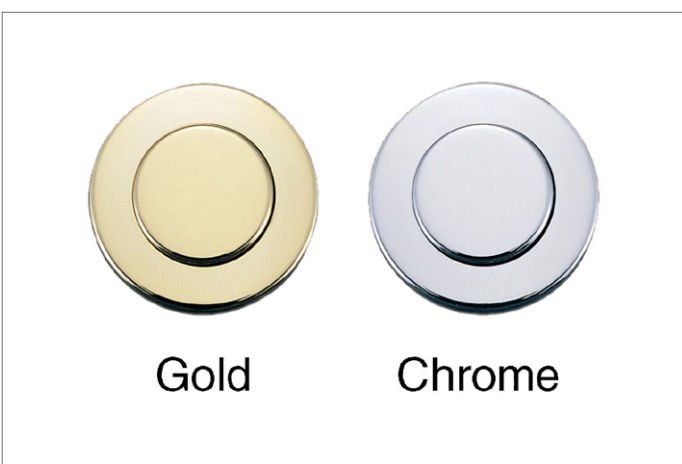
**Technical Notes**

Suitable for door/wall thicknesses 15 to

**Tips**

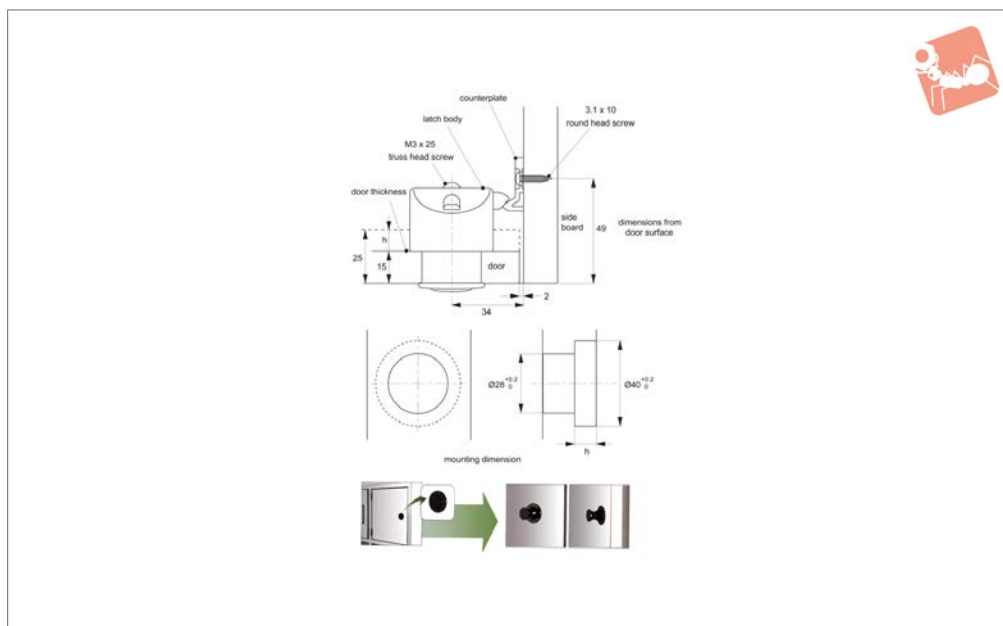
For surfaces 15 to 25mm thick no counter

Order No.	Finish	Weight g
E0300.AC0030	Gold	67
E0300.AC0040	Chrome	67





**E0800**



**Material**

Push knob: zinc alloy.  
Body and catch plate: ABS plastic, black.

**Technical Notes**

Suitable for door/wall thicknesses 15 to 30mm. For 13mm door use a 2mm plastic spacer (order separately).  
When installed the push knob is near flush, raised only 4mm from surface.  
Supplied with screws (M 3.1x10 and M

3.1x28), and catch plate.

**Tips**

**To operate the push knob:**

- Step 1:** door closed, latch is engaged.
- Step 2:** depress knob to flush position to lock.
- Step 3:** depress knob to the out position to unlock latch.

For surfaces between 15 to 25mm thick no

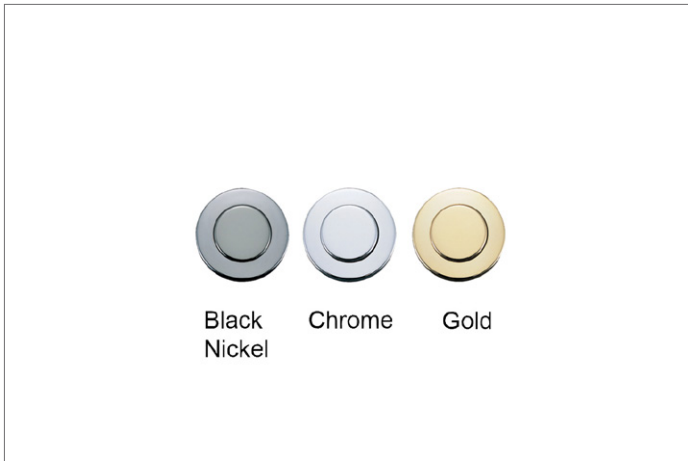
counter bore is required.

For surfaces from 26 to 35mm thick, 40mm dia. counter bore of depth „h“ is required.  
h = door thickness - 25mm.

**Important Notes**

Do not activate the latch before closing the door, it may damage the unit.  
Other dimensions as per E0300 <X\E0300#24>. See diagram for mounting dimensions.

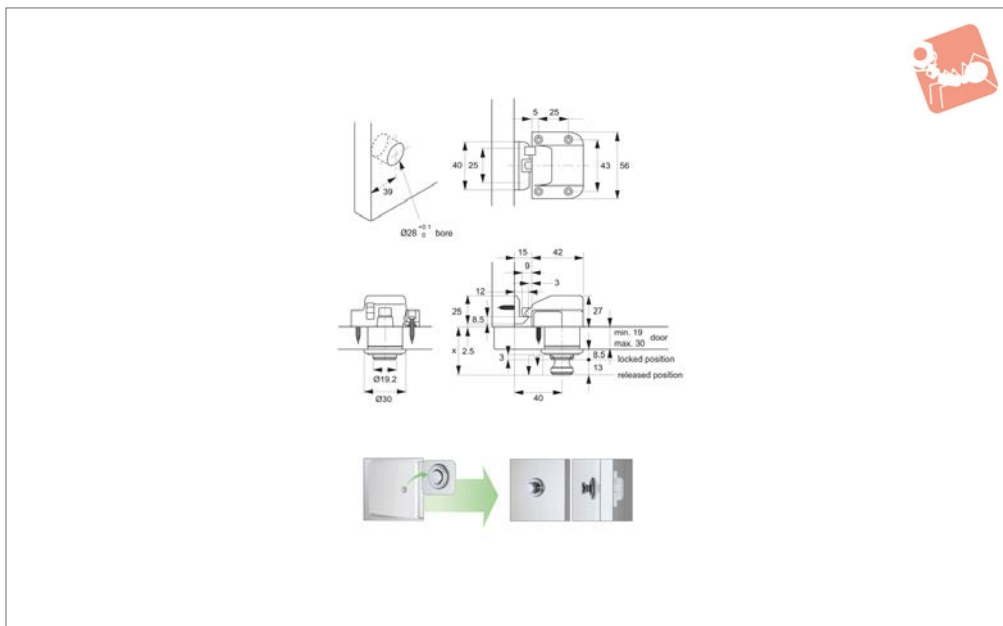
Order No.	Finish	Description	Holding force kg	Weight g
E0800.AC0030	Gold	Push Knob	10	93
E0800.AC0040	Chrome	Push Knob	10	93
E0800.AC0050	Black Nickel	Push Knob	10	93
E0800.AC0720	Black	Spacer 2mm	-	2





# Push Knobs with latch - for overlay doors

## Catches & Latches



### E1400

CATCHES & LATCHES

#### Material

Push button: brass, finished in chrome, satin nickel, satin or polished brass plating.

Push button base: zinc alloy.

Latch body and catch: polyamide.

#### Technical Notes

Suitable for door thicknesses 19 to 30mm.

Supplied with stainless steel screw (3x16, 3x20).

#### Important Notes

For correct positioning of push knob from the door surface refer to dimension „x“ on installation diagram.

„x“ is calculated as:

$$x = \text{door thickness} + 21,5\text{mm}$$

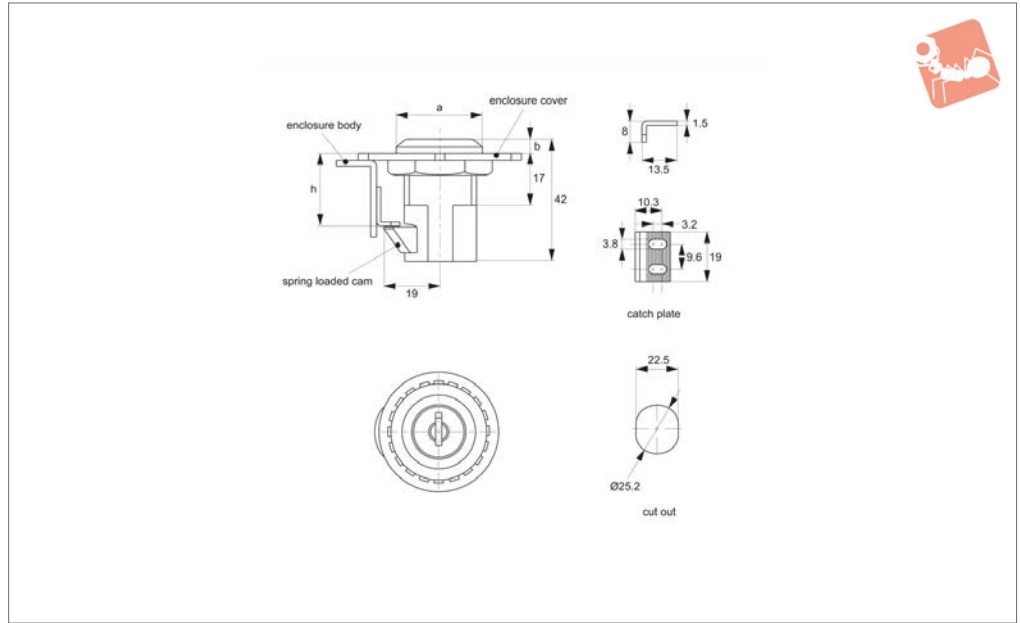
Push knob supplied with two threaded studs of 24mm and 30mm, interchange of stud enables correct positioning of knob to door surface, i.e. dimension „x“.

Order No.	Finish	Holding force kg	Weight g
E1400.AC0040	Chrome	20	103
E1400.AC0060	Satin Nickel	20	103
E1400.AC0070	Satin Brass	20	103
E1400.AC0080	Polished Brass	20	103





**E1600**



**Material**

Body: die cast zinc, chrome plated.  
Cylinder lock: die cast zinc, chrome plated.  
Lock bolt: die cast zinc.  
**Supplied with:** Keys: two per lock.  
**Not Supplied:** Catch Plate: order separa-

tely.

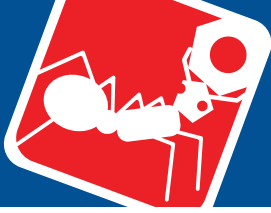
**Technical Notes**

Suitable for panel thickness 1-15mm.  
When installed lock is, 5mm above surface.

On closing of panel, special contour of the spring loaded cam allows it to be guided over the catch plate, then springs back to lock in place. To open panel, actuate key to release cam, and pull. Cam has stroke of approx, 8mm. Order catch plate separately.

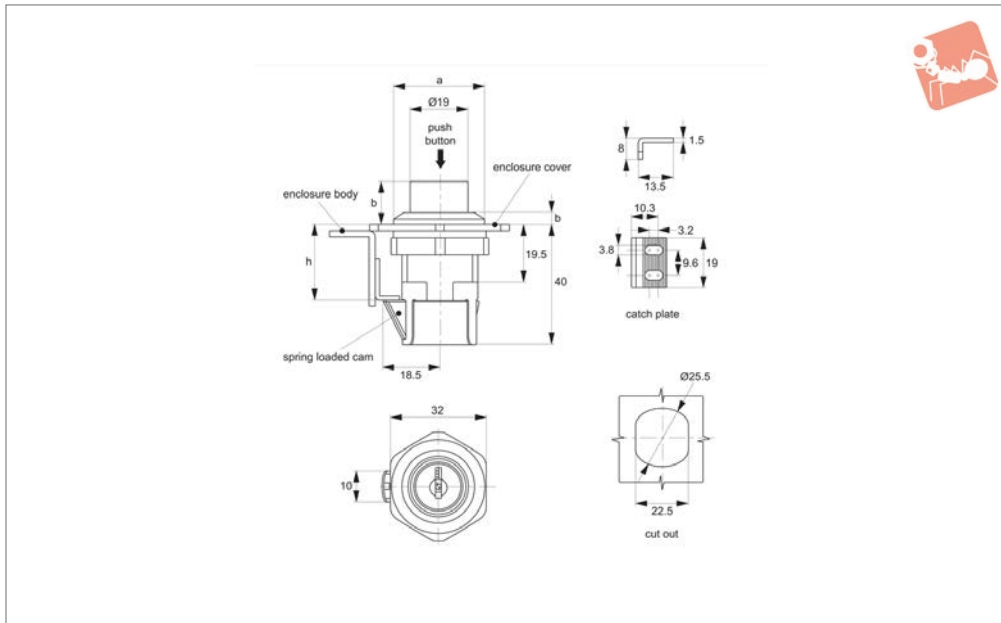
Order No.	Type	Lock type	Key type	a	b	h grip length
E1600.AW0010	Push Lock	Std. Cylinder	Keyed Alike	29	5	25





# Push Lock - Spring Loaded Cam - Push standard cylinder lock - fixed grip - polycarbonate

## Catches & Latches



**E1602**

CATCHES & LATCHES

### Material

Body: polycarbonate, black.  
Cylinder Lock: polycarbonate, black.  
**Supplied With:** Keys: two per lock.  
**Not supplied:** Catch plate: order separately.

### Technical Notes

Suitable for door thickness 1-16mm.

### Tips

On closing of panel, special contour of the spring loaded cam allows it to be guided

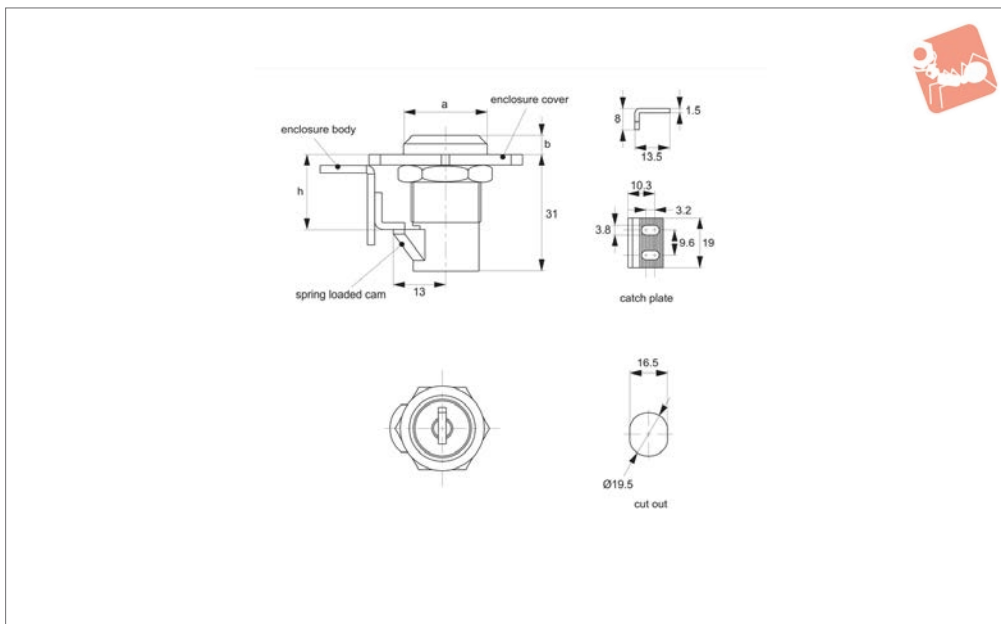
over the catch plate, then springs back to lock in place. To open panel, actuate key and depress push button to release cam then pull to open. Optional finger pull can assist in opening (please order separately). Cam has stroke of approx. 8mm.

Order No.	Type	Lock type	Key type	a	b	h grip length
E1602.AW0010	Push Lock	Std. Cylinder	Keyed Alike	30	4	25





**E1604**



**Material**

Body & insert: die cast zinc, chrome plated.  
Cylinder lock: die cast zinc, chrome plated with dust cap.

**Supplied With:** Keys: two per lock.

**Not supplied:** Catch plated: order separa-

tely.

**Technical Notes**

On closing of panel, special contour of the spring loaded cam allows it to be guided over the catch plate, then springs back to

lock in place. To open panel, actuate key to release cam and pull. Cam has stroke of approx. 8 mm. Order catch plate separately.

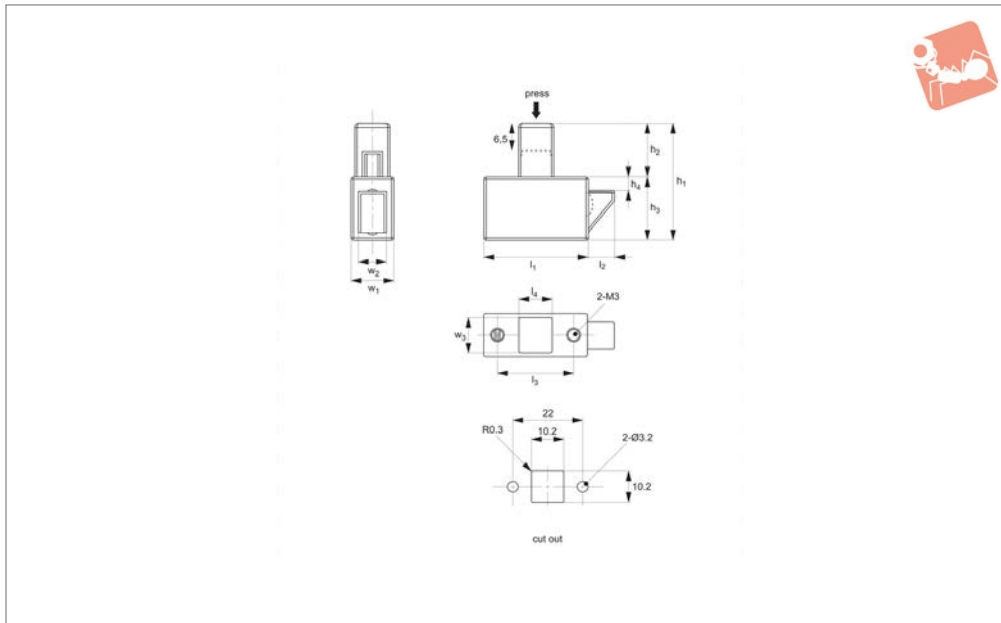
Order No.	Actuation	Lock type	Key type	a	b	h grip length
E1604.AW0010	Push Lock	Std. Cylinder	Keyed Alike	22.5	5	20



# Push Latch - Spring Loaded Cam

zinc

## Catches & Latches



### E1670

CATCHES & LATCHES

#### Material

Housing & Button: die cast zinc, nickel plated. IP54 rated.

#### Technical Notes

Mounted under panel surface so only

button exposed. Mount with 2 x M 3 screws.

Depress button to retract catch and open panel. Catch has stroke of approx. 7mm.

Order No.	$l_1$	$l_2$	$l_3$	$l_4$	$h_1$	$h_2$	$h_3$	$h_4$	$w_1$	$w_2$	$w_3$
E1670.AW0010	30	7	22	10	32.6	15	17.6	4	12	8	10