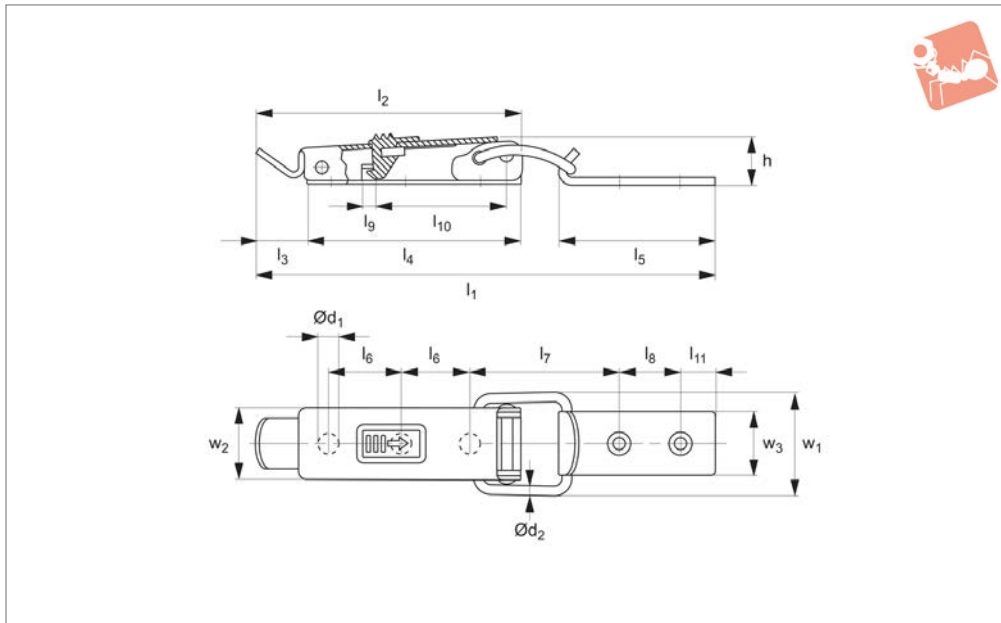




Toggle Latches

with secondary lock, **stainless steel**

Draw Latches



J0422

DRAW LATCHES

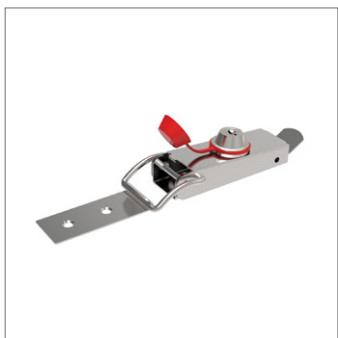
Material

Stainless steel AISI 304, UNI x5crNi.

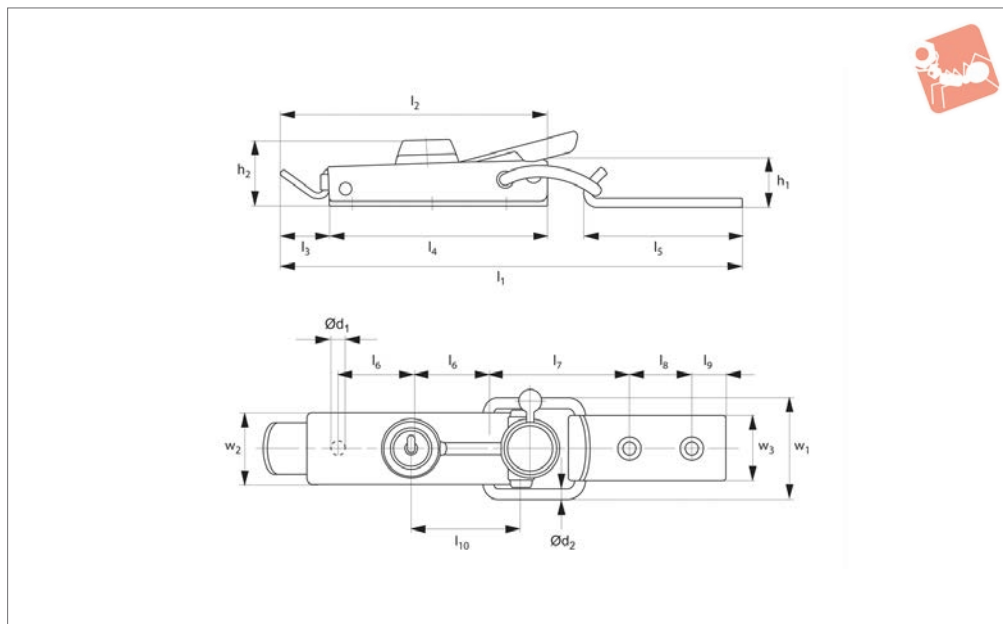
Technical Notes

Supplied with counter strike.

Order No.	Finish	l_1	h ± 0.5	w_1 ± 0.5	$\varnothing d_1$	$\varnothing d_2$	l_2	l_3	l_4 ± 0.5	l_5	Weight g
J0422.AC0030	Stainless Steel	193.5	19	43	5.3	4	112	21.5	90	66	190
Order No.	l_6	l_7 ± 0.5	l_8	l_9	l_{10}	w_2 ± 0.5	l_{11} l_1	w_3	Load N max.	Tension N max.	
J0422.AC0030	31.5	58.5	25.5	4	55	30	15	27	2000	4000	



J0424



Material

Draw hook and pin in stainless steel, body steel.

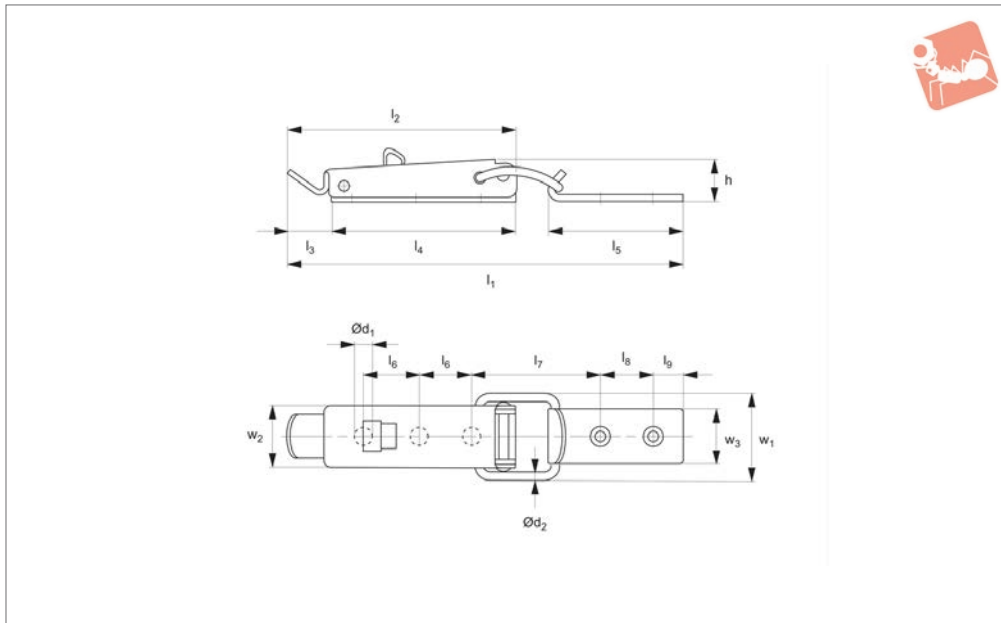
Order No.	Finish	l_1	h_1 ± 0.5	w_1 ± 0.5	$\varnothing d_1$	$\varnothing d_2$	l_2	h_2 ± 0.5	l_3	l_4 ± 0.5	Weight g
J0424.AC0030	Delta Zinc Plated	193.5	19	43	5.3	4	112	27.5	21.5	90	190
Order No.	l_5	l_6	l_7 ± 0.5	l_8	l_9	l_{10} ± 0.5	w_2 ± 0.5	w_3	Load N max.	Tension N max.	
J0424.AC0030	66	31.5	58.5	25.5	15	44	30	27	2000	4000	



Toggle Latches

with secondary lock, **stainless steel**

Draw Latches



J0462

DRAW LATCHES

Material

Steel, Fe P02 + P12, UNI5866, zinc plated.
Or stainless steel AISI 304, UNI x5crNi.

Technical Notes

Supplied with counter strike.

Order No.	Finish	l_1	h	w_1	$\varnothing d_1$	$\varnothing d_2$	l_2	l_3	l_4	Weight g
J0462.AC0004	Zinc Plated Steel	102	11	23	3.2	2	60	16	44	30
J0462.AC0030	Stainless Steel	102	11	23	3.2	2	60	16	44	30

Order No.	l_5	l_6	l_7 ± 0.5	l_8	l_9	w_2	w_3	Load N max.	Tension N max.
J0462.AC0004	30	12.5	34.5	12	5	16.4	13	550	1300
J0462.AC0030	30	12.5	34.5	12	5	16.4	13	350	1000