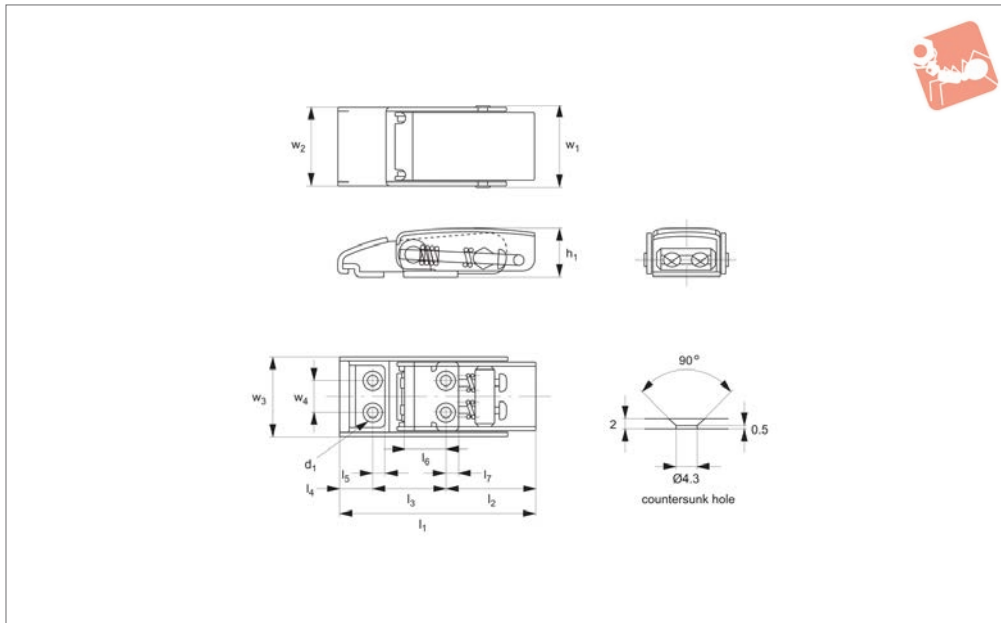




Draw Latches - Spring Loaded

stainless steel

Draw Latches



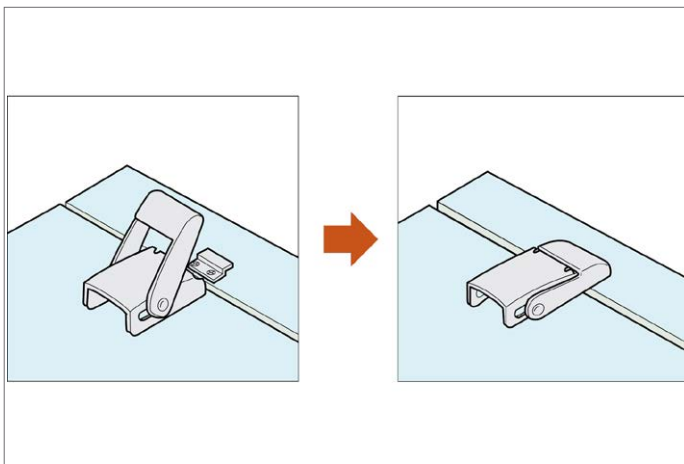
J0300

DRAW LATCHES

Material

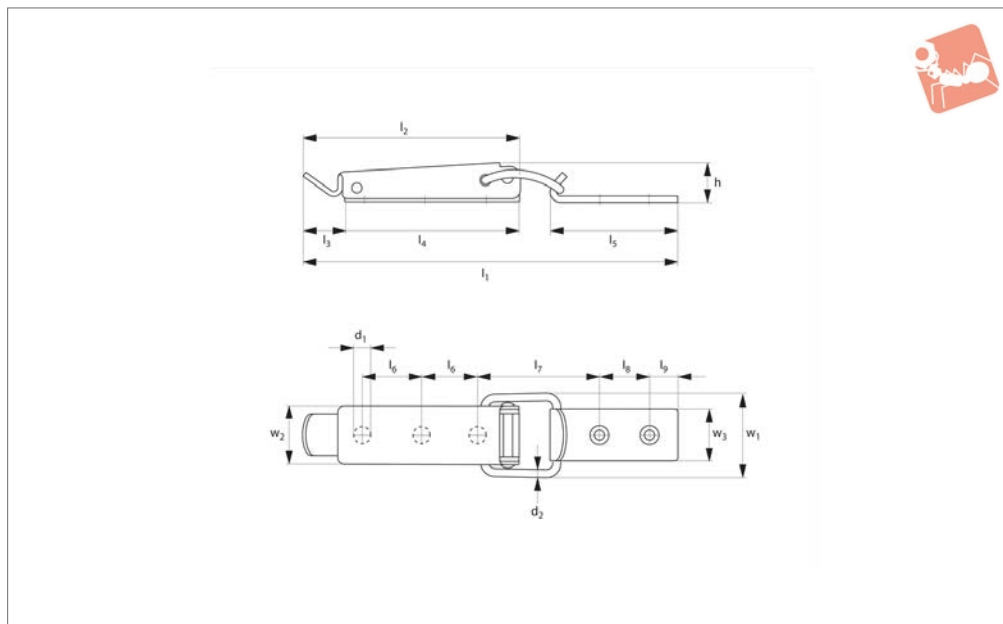
All parts from stainless steel, AISI 304, satin finish. Fixing screws not included.

Order No.	l_1	h_1	w_1	$\varnothing d_1$	Load capacity kg	l_2	l_3	l_4	l_5	l_6	l_7	w_2	w_3	w_4 ± 0.2	Weight g
J0300.AC0030	80	19.5	33	4.3	80	36.5	30	13.5	5	17	5	32	25	13	110





J0400



Material

Steel, Fe P02 + P12, UNI5866, zinc plated.
Or stainless steel AISI 304, UNI x5crNi.

Technical Notes

Supplied with counter strike.

Order No.	Finish	l_1	w_1 ± 0.5	h ± 0.5	$\varnothing d_1$	$\varnothing d_2$	l_2	l_3	l_4 ± 0.5	Weight g
J0400.AC0004	Zinc Plated Steel	193.5	43	19	5.3	4	112	21.5	90	190
J0400.AC0030	Stainless Steel	193.5	43	19	5.3	4	112	21.5	90	190

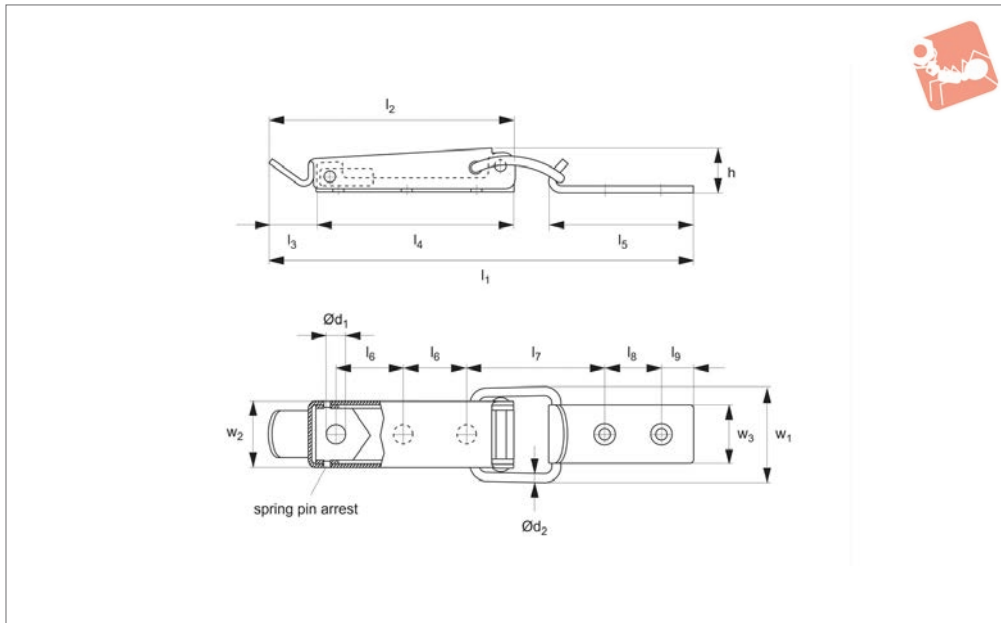
Order No.	l_5	l_6	l_7 ± 0.5	l_8	l_9	w_2 ± 0.5	w_3	Load N max.	Tension N max.
J0400.AC0004	66	31.5	58.5	25.5	15	30	27	2000	4000
J0400.AC0030	66	31.5	58.5	25.5	15	30	27	2000	4000



Toggle Latches

with click arrest, **stainless steel**

Draw Latches



J0426

DRAW LATCHES

Material

Steel, Fe P02 + P12, UNI5866, zinc plated.
Or stainless steel AISI 304, UNI x5crNi.

Technical Notes

Supplied with counter strike. Features a spring pin locking system, pin must be

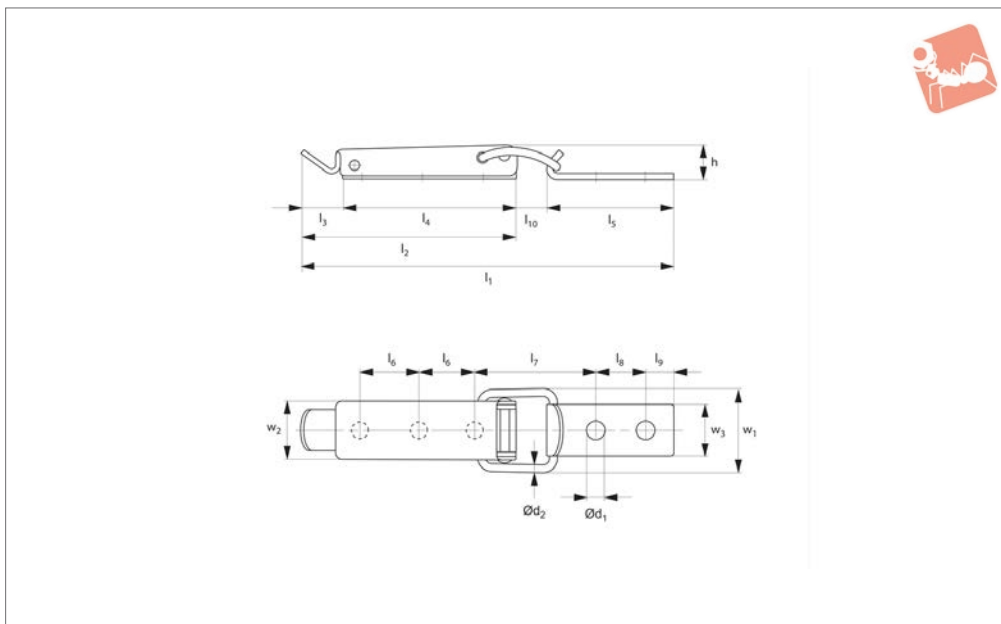
depressed for the toggle latch to be released.

Order No.	Finish	l_1	w_1 ± 0.5	h ± 0.5	$\varnothing d_1$	$\varnothing d_2$	l_2	l_3	l_4 ± 0.5	Weight g
J0426.AC0004	Zinc Plated Steel	193.5	43	19	5.3	4	112	21.5	90	190
J0426.AC0030	Stainless Steel	193.5	43	19	5.3	4	112	21.5	90	190

Order No.	l_5	l_6	l_7 ± 0.5	l_8	l_9	w_2 ± 0.5	w_3	Load N max.	Tension N max.
J0426.AC0004	66	31.5	58.5	25.5	15	30	27	2000	4000
J0426.AC0030	66	31.5	58.5	25.5	15	30	27	2000	4000



J0428



Material

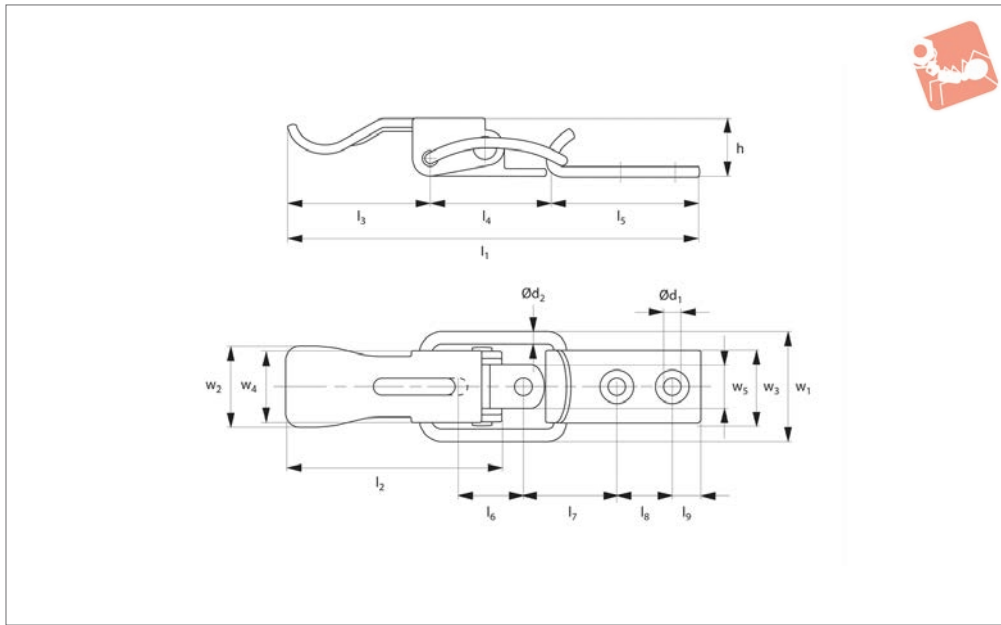
Steel, Fe P02 + P12, UNI5866, zinc plated.
Or stainless steel AISI 304, UNI x5crNi.

Technical Notes

Supplied with counter strike.

Order No.	Finish	l_1	w_1	h	$\varnothing d_1$	$\varnothing d_2$	l_2	l_{10}	l_3	l_4	Weight g
J0428.AC0004	Zinc Plated Steel	140.5	34	12.5	4.1	3	86	11.5	16	70	75
J0428.AC0030	Stainless Steel	140.5	34	12.5	4.1	3	86	11.5	16	70	75

Order No.	l_5	l_6	l_7 ± 0.5	l_8	l_9	w_2	w_3	Load N max.	Tension N max.
J0428.AC0004	43	22.5	38	20	8	23	19	1500	3000
J0428.AC0030	43	22.5	38	20	8	23	19	1500	3000



J0434

DRAW LATCHES

Material

Steel, Fe P02 + P12, UNI5866, zinc plated.
Or stainless steel AISI 304, UNI x5crNi.

Technical Notes

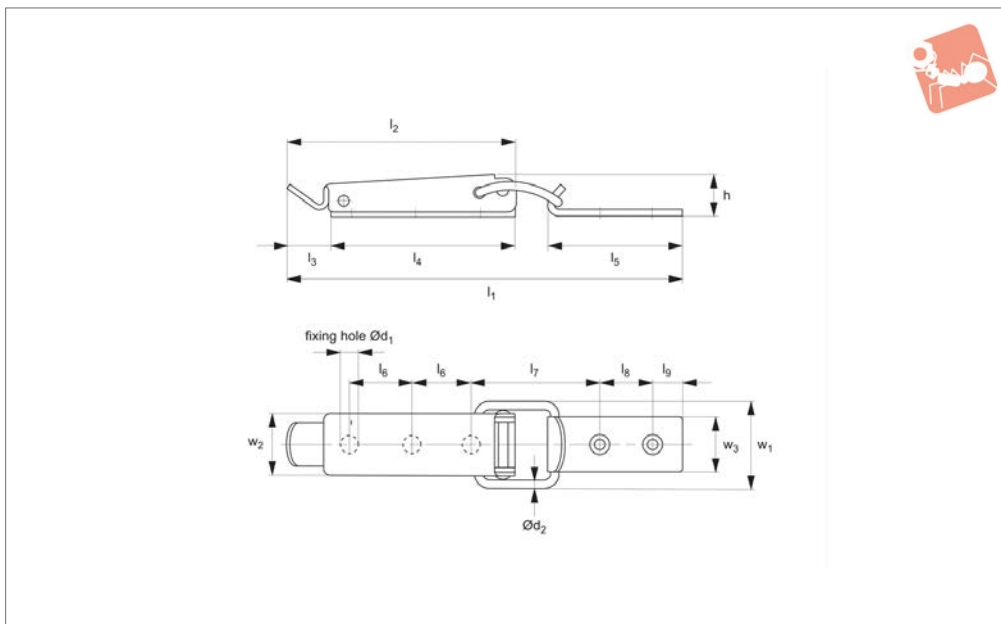
Supplied with counter strike.

Order No.	Finish	l_1	w_1	h	$\varnothing d_1$	$\varnothing d_2$	l_2	l_3	l_4	l_5	Weight g
J0434.AC0004	Zinc plated steel	76.5	21	10.7	3.2	2	39.5	25	22	28	15
J0434.AC0030	Stainless steel	76.5	21	10.7	3.2	2	39.5	25	22	28	15

Order No.	l_6	l_7	l_8	l_9	w_2	w_3	w_4	w_5	Load N max.	Tension N max.
J0434.AC0004	15	18	10	5	15	13	12.9	8	400	1000
J0434.AC0030	15	18	10	5	15	13	12.9	8	400	1000



J0440



Material

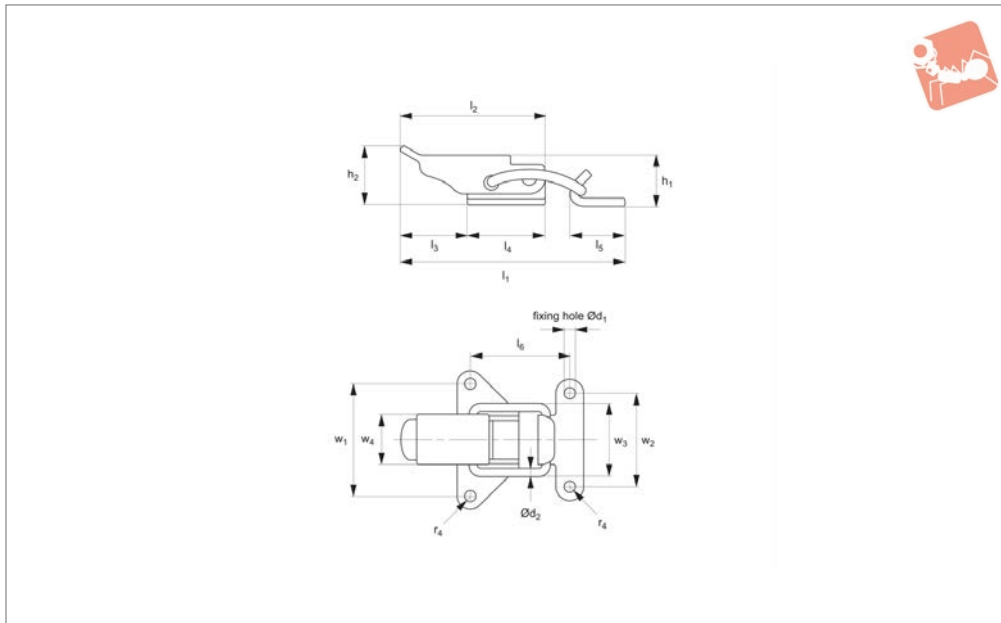
Steel, Fe P02 + P12, UNI5866, zinc plated.
Or stainless steel AISI 304, UNI x5crNi.

Technical Notes

Supplied with counter strike.

Order No.	Finish	l_1	w_1	h	$\varnothing d_1$	d_2	l_2	l_3	l_4	Weight g
J0440.AC0004	Zinc Plated Steel	102	23	11	3.2	2	60	16	44	30
J0440.AC0030	Stainless Steel	102	23	11	3.2	2	60	16	44	30

Order No.	l_5	l_6	$l_7 \pm 0.5$	l_8	l_9	w_2	w_3	Load N max.	Tension N max.
J0440.AC0004	30	12.5	34.5	12	5	16.4	13	550	1300
J0440.AC0030	30	12.5	34.5	12	5	16.4	13	350	1000



J0480

DRAW LATCHES

Material

Steel, Fe P02 + P12, UNI5866, zinc plated.
Or stainless steel AISI 304, UNI x5crNi.

Technical Notes

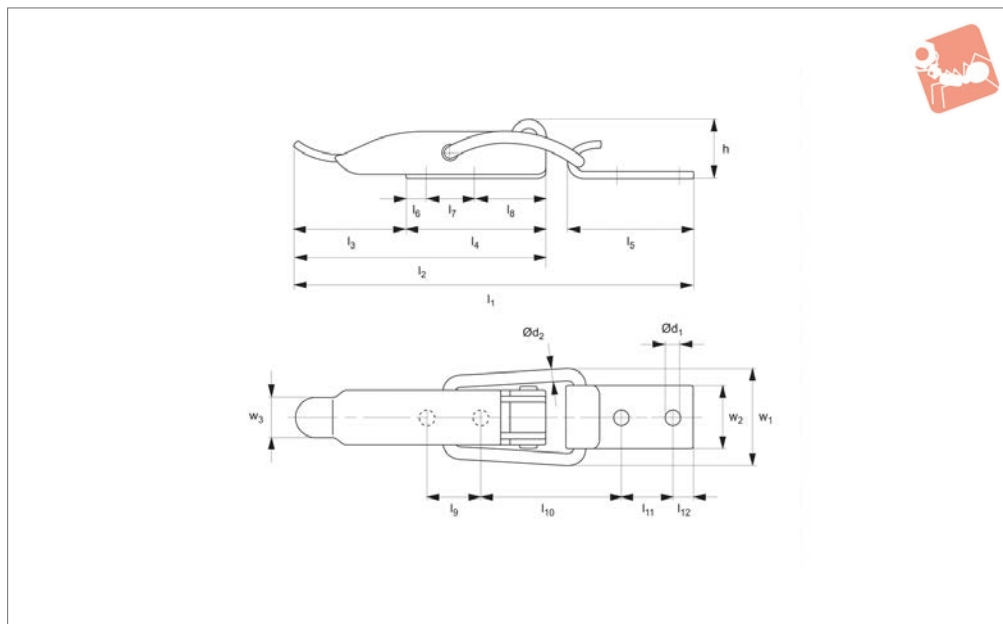
Supplied with counter strike.

Order No.	Finish	l_1	h_1	w_1	$\varnothing d_1$	$\varnothing d_2$	l_2	h_2 ± 0.5	Weight g
J0480.AC0004	Zinc Plated Steel	52	11	33	3.5	2	34	12	20
J0480.AC0030	Stainless Steel	52	11	33	3.5	2	34	12	20

Order No.	l_3	l_4	l_5	l_6 ± 0.5	w_2	w_3 -1 0	w_4	Load N max.	Tension N max.
J0480.AC0004	16	18	13	28.5	28	23	15	550	1500
J0480.AC0030	16	18	13	28.5	28	23	15	550	1500



J0550



Material

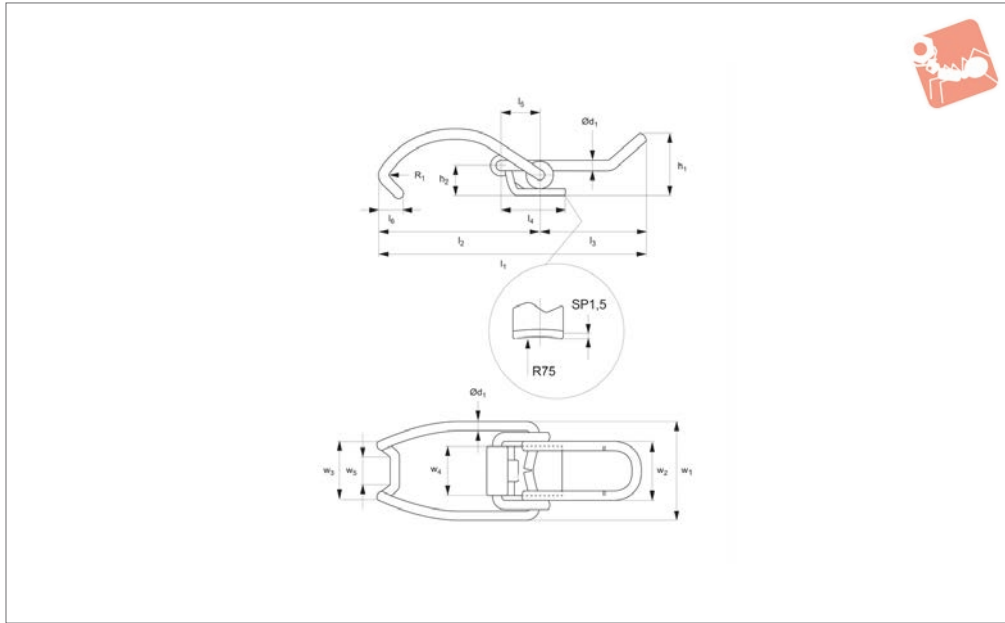
Steel, Fe P02 + P12, UNI5866, zinc plated.
Or stainless steel AISI 304, UNI x5crNi.

Technical Notes

Supplied with counter strike.

Order No.	Finish	l_1	w_1	h	$\varnothing d_1$	$\varnothing d_2$	l_2	$l_{10} +0.5$	l_{11}	l_{12}	Weight g
J0550.AC0004	Zinc Plated Steel	114	28	17	4.1	3	72	40.5	15	5	50
J0550.AC0030	Stainless Steel	114	28	17	4.1	3	72	40.5	15	5	50

Order No.	l_3	l_4	l_5	l_6	l_7	l_8	$l_9 \pm 0.5$	w_2	w_3	Load N max.	Tension N max.
J0550.AC0004	31	41	36	7	15.5	18.5	15.5	19	12	1000	2500
J0550.AC0030	31	41	36	7	15.5	18.5	15.5	19	12	1000	2500



J0554

DRAW LATCHES

Material

Steel, Fe P02 + P12, UNI5866, zinc plated.

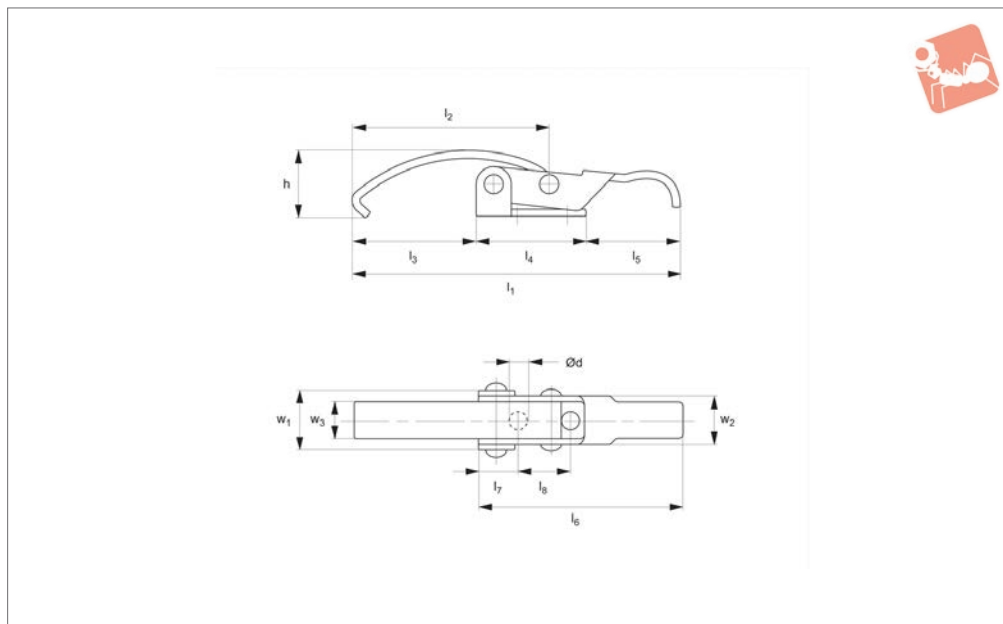
Technical Notes

Counter strike not supplied.

Order No.	Finish	l_1	h_1	w_1 0 -1	$\varnothing d_1$	l_2	h_2	l_3	Weight g
J0554.AC0004	Zinc Plated Steel	81	18	30	2.5	49	9	32	18
Order No.	l_4	l_5 ± 0.1	l_6	w_2	w_3	w_4	w_5	Load N max.	Tension N max.
J0554.AC0004	20	12	7	18	17	15	8.8	300	600



J0556



Material

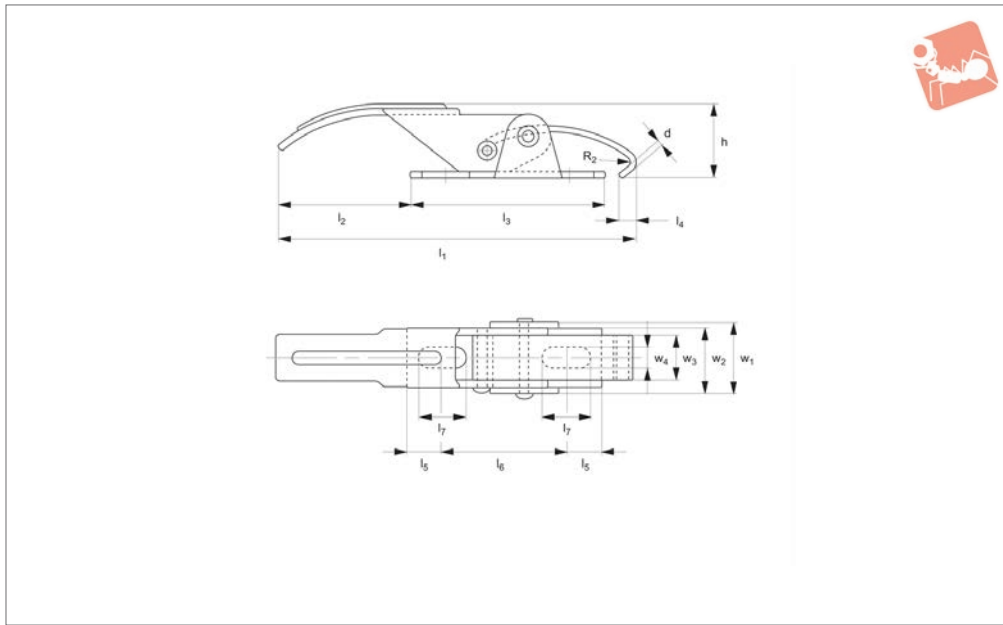
Steel, Fe P02 + P12, UNI5866, zinc plated.
Or stainless steel AISI304, UNI x5crNi.

Technical Notes

Counter strike not supplied.

Order No.	Finish	l_1	w_1	h	$\varnothing d$	l_2	l_3	l_4	Weight g
J0556.AC0004	Zinc Plated Steel	90	17	17	5	54	34	30	30
J0556.AC0030	Stainless Steel	90	17	17	5	54	34	30	30

Order No.	l_5	l_6	l_7	l_8	w_2	w_3	Load N max.	Tension N max.
J0556.AC0004	26	56	11	14	13.5	10	500	900
J0556.AC0030	26	56	11	14	13.5	10	500	900



J0558

DRAW LATCHES

Material

Steel, Fe P02 + P12, UNI5866, zinc plated.

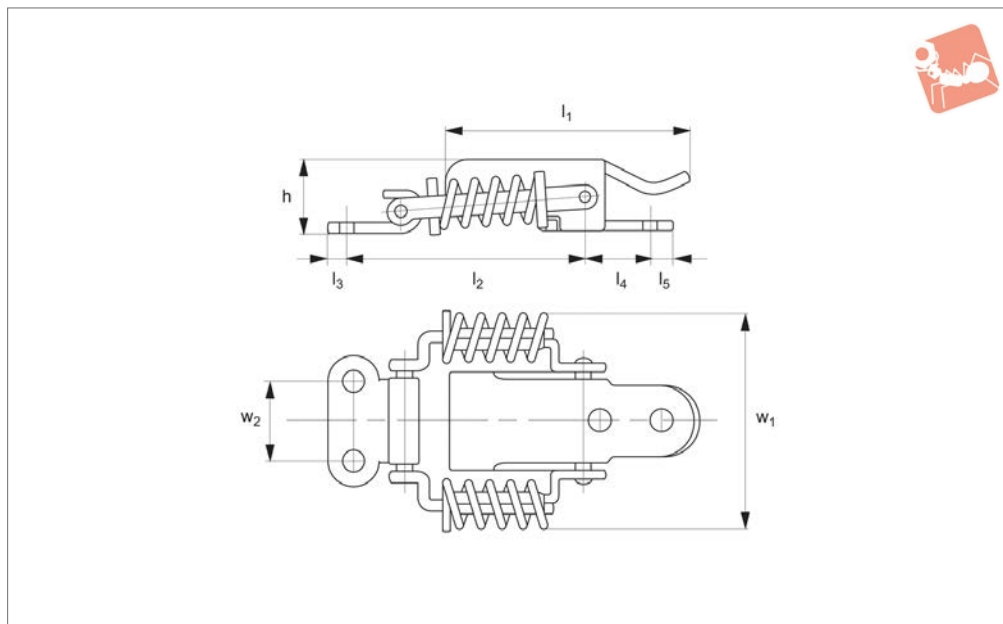
Technical Notes

Counter strike not supplied.

Order No.	Finish	l_1	w_1	h	d	l_2	l_3	l_4	Weight g
J0558.AC0004	Zinc Plated Steel	128.5	26	27	1.5	47.5	70	6.5	100
Order No.	l_5	l_6	l_7	w_2	w_3	w_4	Load N max.	Tension N max.	
J0558.AC0004	12.5	45	17	22	16	7	750	1500	



J0620



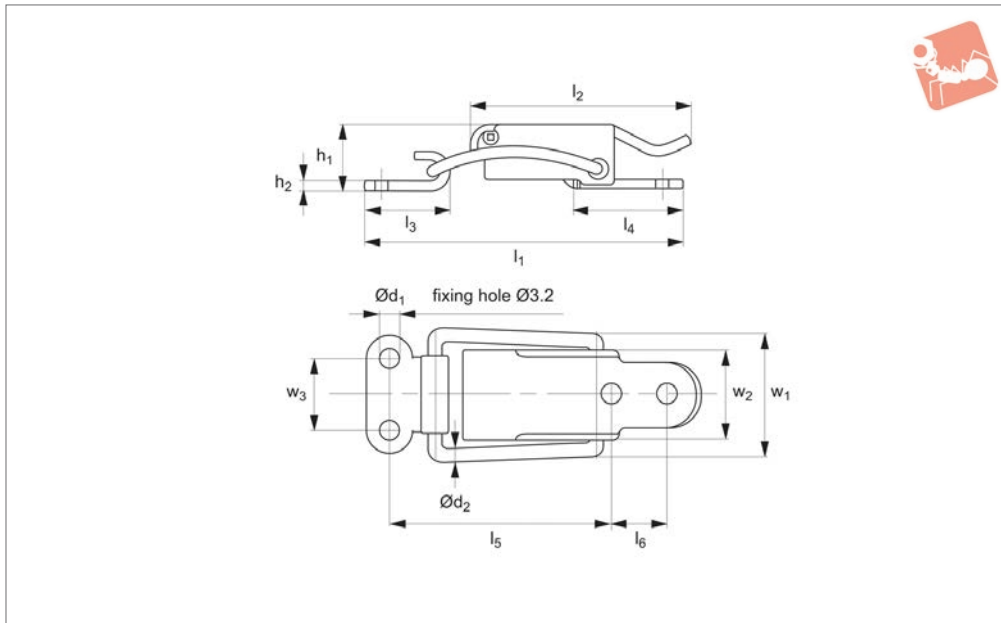
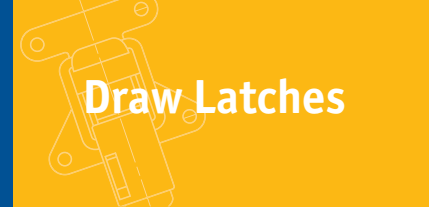
Material

Steel, Fe P02 + P12, UNI5866, zinc plated.
Or stainless steel AISI304, UNI x5crNi.

Technical Notes

Supplied with counter strike.

Order No.	Finish	l_1	w_1	h	$\varnothing d_1$	l_2	l_3	l_4	l_5	w_2	w_3	Load N max.	Tension N max.	Weight g
J0620.AC0008	Zinc Plated	60 to 63	37	12.5	3.2	38 to 41	4	10	5.5	14	15	500	1500	35
J0620.AC0030	Stainless Steel	60 to 63	37	12.5	3.2	38 to 41	4	10	5.5	14	15	500	1500	35



J0640

DRAW LATCHES

Material

Steel, Fe P02 + P12, UNI5866, zinc plated.
Or stainless steel AISI 304, UNI x5crNi.

Technical Notes

Supplied with counter strike.

Order No.	Finish	l_1	h_1	w_1	$\varnothing d_1$	$\varnothing d_2$	l_2	h_2	Weight g
J0640.AC0008	Zinc Plated	55	12	23	3.2	2	40	1.5	20
J0640.AC0030	Stainless Steel	55	12	23	3.2	2	40	1.5	20

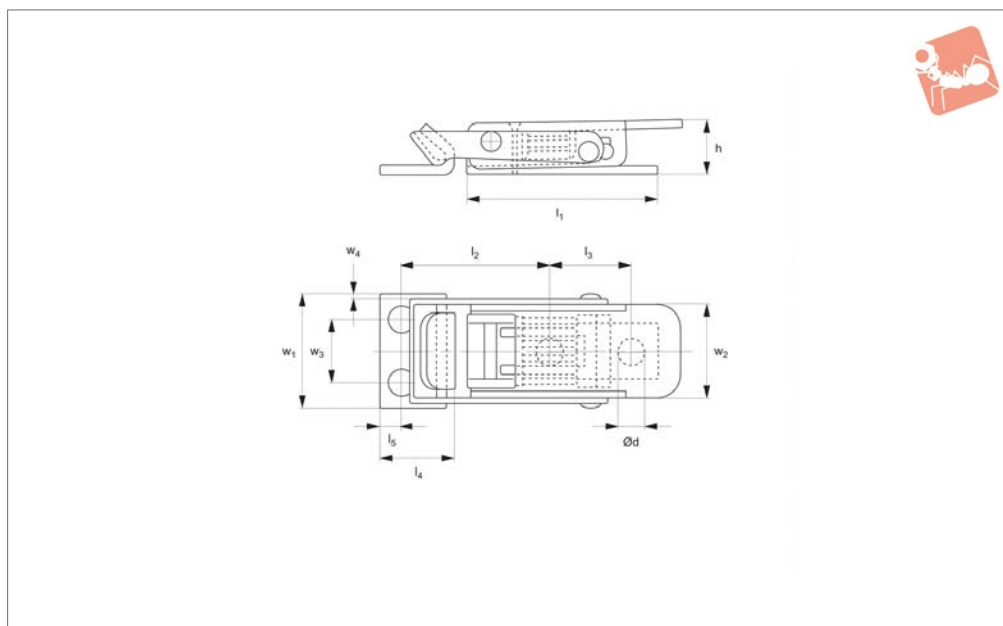
Order No.	l_3	l_4	l_5 ± 0.3	l_6	w_2	w_3	Load N max.	Tension N max.
J0640.AC0008	15	21	35	10	15	14	550	1000
J0640.AC0030	15	21	35	10	15	14	550	1000



DRAW LATCHES



J0642



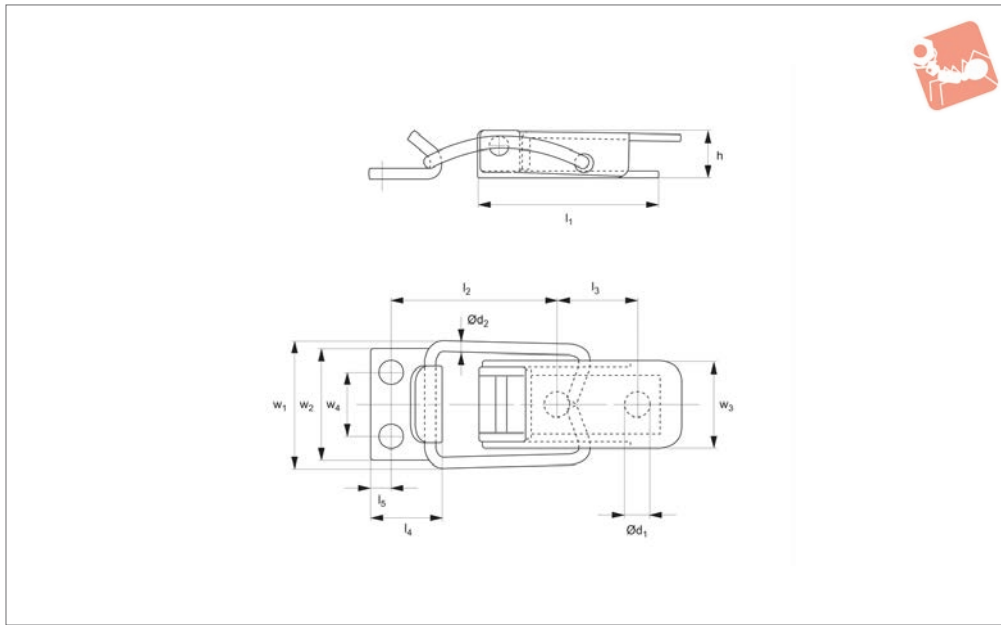
Material

Steel, Fe P02 + P12, UNI5866, zinc plated.

Technical Notes

Supplied with counter strike.

Order No.	Finish	l_1	w_1	h	$\varnothing d$	l_2 ± 0.3	Weight g	
J0642.AC0008	Zinc plated	23	14	6.5	3.2	18	15	
Order No.	l_3	l_4	l_5	w_2	w_3	w_4	Load N max.	Tension N max.
J0642.AC0008	10	9	2.5	11.2	8	0.6	150	300



J0644

DRAW LATCHES

Material

Steel, Fe P02 + P12, UNI5866, zinc plated.

Technical Notes

Supplied with counter strike.

Order No.	Finish	l_1	w_1	h	$\varnothing d_1$	$\varnothing d_2$	l_2 ± 0.3	Weight g
J0644.AC0008	Zinc Plated	23	16	6	3.2	1.4	21.5	15
Order No.	l_3	l_4	l_5	w_2	w_3	w_4	Load N max.	Tension N max.
J0644.AC0008	10	9	2.5	14	11.2	8	150	300