

## J0100

DRAW LATCHES

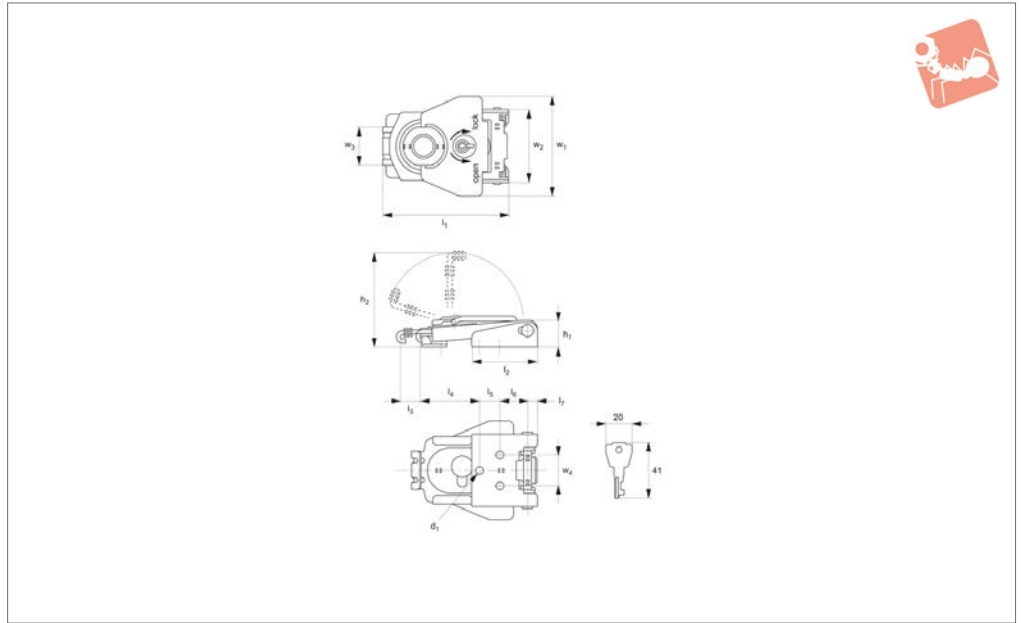
### Material

All parts from stainless steel, AISI 304, polished.

Order No.	$l_1$	$h_1$	$w_1$	$\varnothing d_1$	$h_2$	$l_2$	$l_3$ stroke	$w_2$	$w_3$	Weight g
J0100.AC0030	61	22	60	8	43	30	10	34.5	20	85



**J0150**



**Material**

All parts from stainless steel, AISI 304, polished.

Single key supplied.

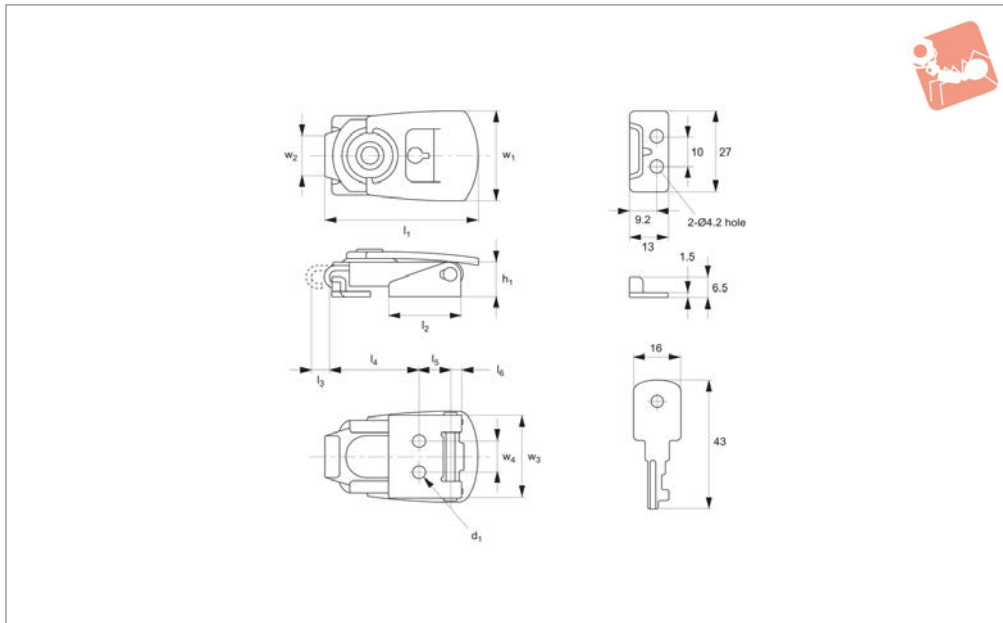
Order No.	$l_1$	$h_1$	$w_1$	$d_1$	$h_2$	$l_2$	$l_3$ stroke	$l_4$	$l_5$	$l_6$	$l_7$	$w_2$	$w_3$	$w_4$	Weight g
J0150.AC0030	65	13	52	4.2	48	34.5	10	34	11	14.4	5	38	20	16	105



# Mini Draw Latches

stainless steel

## Draw Latches



**J0170**

DRAW LATCHES

### Material

All parts from stainless steel, AISI 304, plain.

Single key supplied.

### Technical Notes

Compact size, high strength.

Order No.	$l_1$	$h_1$	$w_1$	$\varnothing d_1$	$l_2$	$l_3$	$l_4$	$l_5$	$l_6$	$w_2$	$w_3$	$w_4$	Weight g
J0170.AC0030	51	11.5	30	4.2	24	6	31~(33)	10.5	3.5	14	27.3	10	50