

### V0500

#### Material

Silicone, natural.  
Temperature resistant to +300°C.

of components during powder coating and other finishing processes.

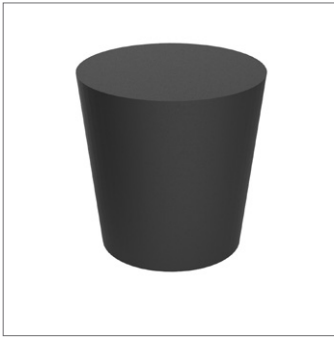
#### Important Notes

Sold subject to minimum pack quantity.

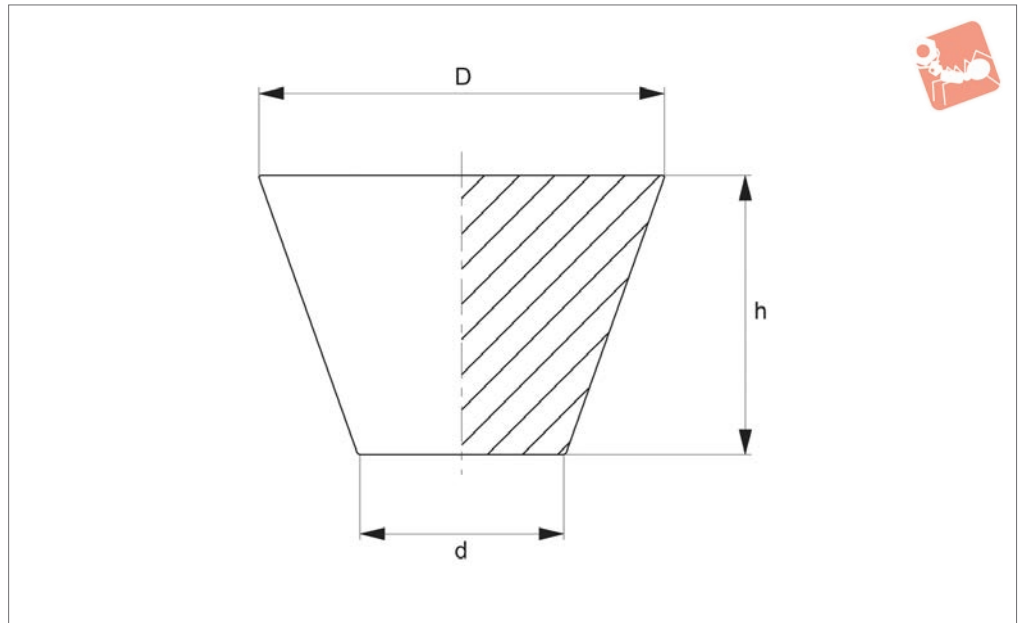
#### Technical Notes

To fit on studs, screws or tubes for masking

| Order No.    | d    | h    |
|--------------|------|------|
| V0500.AC0501 | 1.8  | 25.4 |
| V0500.AC0503 | 2.5  | 25.4 |
| V0500.AC0505 | 3.8  | 25.4 |
| V0500.AC0507 | 4.6  | 25.4 |
| V0500.AC0509 | 5.7  | 38.1 |
| V0500.AC0511 | 7.5  | 38.1 |
| V0500.AC0512 | 7.9  | 25.4 |
| V0500.AC0513 | 9.5  | 25.4 |
| V0500.AC0515 | 11.6 | 38.1 |
| V0500.AC0517 | 13.6 | 38.1 |
| V0500.AC0519 | 15.9 | 38.1 |
| V0500.AC0521 | 19.1 | 38.1 |
| V0500.AC0522 | 20.6 | 38.1 |
| V0500.AC0523 | 23.8 | 38.1 |



**V0505**



CAPS, PLUGS, MASKING AND INSERTS

**Material**

Silicone, natural.  
Temperature resistant to +300°C.

wide range of finishing processes such as spraying, over painting etc.

**Technical Notes**

Plugging of plain or threaded holes for

**Important Notes**

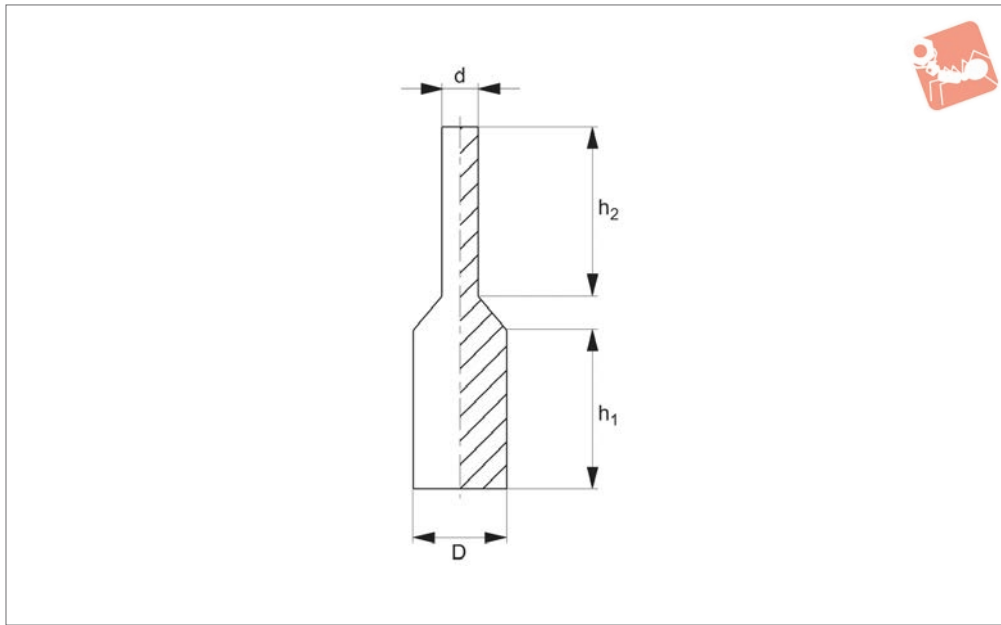
Sold subject to minimum pack quantity.

| Order No.    | d <sub>1</sub> | h    | d <sub>2</sub> |
|--------------|----------------|------|----------------|
| V0505.AC0531 | 0.8            | 15.9 | 3.2            |
| V0505.AC0533 | 1.6            | 15.9 | 4.8            |
| V0505.AC0535 | 3.2            | 19.1 | 6.4            |
| V0505.AC0537 | 4.8            | 15.9 | 8.7            |
| V0505.AC0539 | 6.4            | 19.1 | 9.5            |
| V0505.AC0540 | 7.9            | 25.4 | 14.3           |
| V0505.AC0541 | 8.7            | 17.5 | 11.1           |
| V0505.AC0543 | 10.3           | 25.4 | 15.1           |
| V0505.AC0545 | 12.7           | 25.4 | 16.7           |
| V0505.AC0547 | 14.3           | 25.4 | 19.1           |
| V0505.AC0549 | 15.9           | 25.4 | 19.8           |
| V0505.AC0551 | 18.3           | 25.4 | 23.8           |
| V0505.AC0553 | 19.8           | 25.4 | 25.4           |



# High Temperature Pull Plugs silicone

Caps, Plugs,  
Masking and



## V0510

CAPS, PLUGS, MASKING AND INSERTS

### Material

Silicone, natural.  
Temperature resistant to +300°C.

out tab improves ease of removal after finishing process.

### Technical Notes

For masking plain or threaded holes. Pull

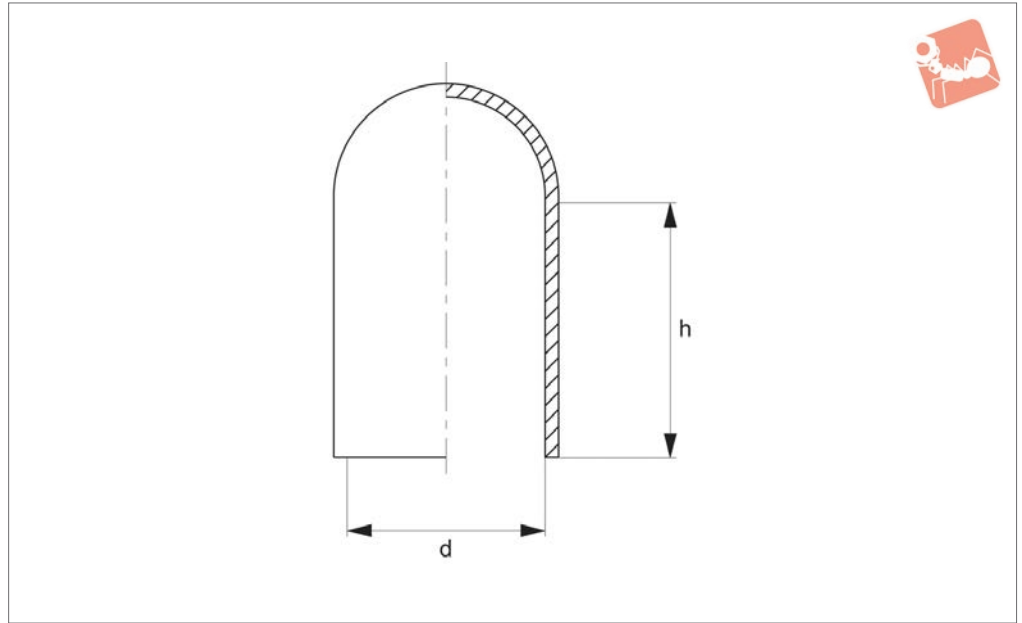
### Important Notes

Sold subject to minimum pack quantity.

| Order No.    | d <sub>1</sub> | d <sub>2</sub> | h <sub>1</sub> | h <sub>2</sub> |
|--------------|----------------|----------------|----------------|----------------|
| V0510.AC0102 | 1.7            | 1.2            | 15.9           | 15.5           |
| V0510.AC0106 | 2.4            | 1.3            | 17.8           | 17.8           |
| V0510.AC0114 | 3.2            | 1.6            | 15.9           | 15.9           |
| V0510.AC0122 | 4.0            | 1.6            | 15.9           | 19.1           |
| V0510.AC0124 | 5.0            | 2.8            | 25.4           | 25.4           |
| V0510.AC0130 | 6.5            | 3.3            | 25.4           | 25.4           |
| V0510.AC0132 | 8.5            | 3.9            | 25.4           | 25.4           |
| V0510.AC0138 | 10.2           | 4.0            | 25.4           | 25.4           |
| V0510.AC0140 | 12.0           | 6.2            | 25.4           | 25.4           |
| V0510.AC0142 | 13.5           | 6.4            | 25.4           | 25.4           |
| V0510.AC0146 | 15.5           | 6.4            | 25.4           | 25.4           |



V0550



**Material**

EPDM, black.

Temperature resistant to +180°C.

**Technical Notes**

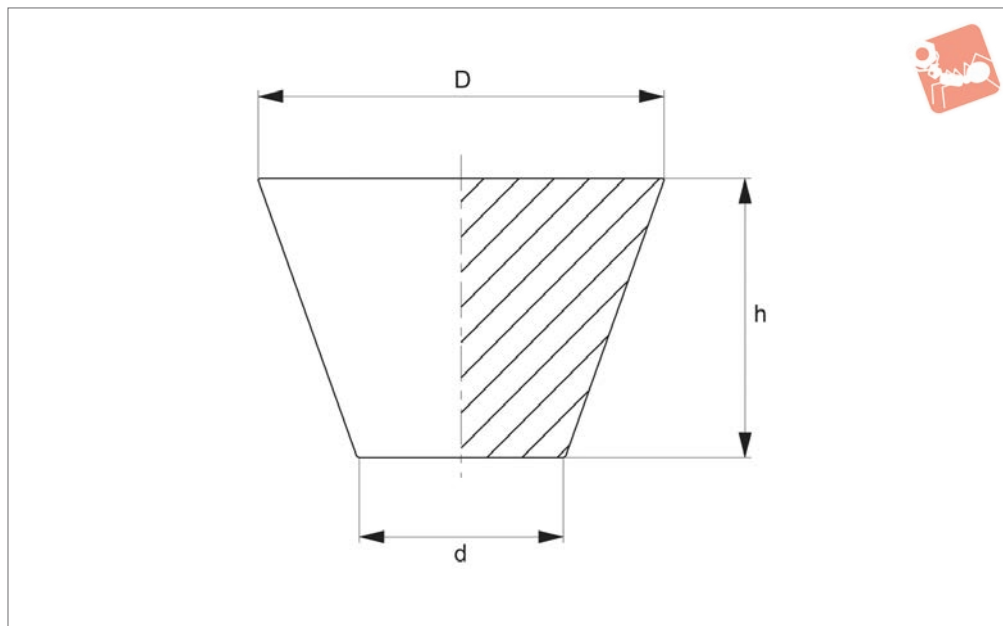
To fit on studs, screws or tubes for masking

of components during powder coating and other finishing processes.

**Important Notes**

Sold subject to minimum pack quantity.

| Order No.    | d    | h    |
|--------------|------|------|
| V0550.AC0621 | 1.6  | 19.1 |
| V0550.AC0625 | 2.5  | 12.7 |
| V0550.AC0627 | 2.8  | 19.1 |
| V0550.AC0629 | 3.8  | 19.1 |
| V0550.AC0631 | 3.8  | 25.4 |
| V0550.AC0633 | 4.0  | 25.4 |
| V0550.AC0635 | 4.4  | 25.4 |
| V0550.AC0637 | 4.8  | 25.4 |
| V0550.AC0641 | 5.7  | 25.4 |
| V0550.AC0643 | 5.9  | 25.4 |
| V0550.AC0645 | 7.9  | 25.4 |
| V0550.AC0647 | 9.5  | 25.4 |
| V0550.AC0649 | 11.6 | 25.4 |
| V0550.AC0651 | 13.6 | 38.1 |
| V0550.AC0653 | 15.9 | 38.1 |
| V0550.AC0655 | 19.1 | 38.1 |
| V0550.AC0657 | 20.6 | 38.1 |
| V0550.AC0659 | 23.8 | 38.1 |
| V0550.AC0661 | 25.4 | 38.1 |



### V0555

#### Material

EPDM, black.

Temperature resistant to +180°C.

wide range of finishing processes such as spraying, over painting etc.

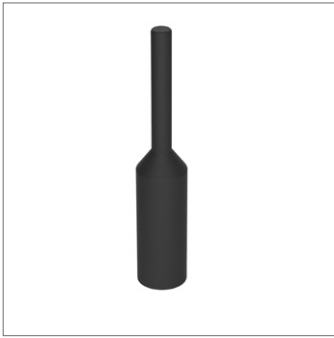
#### Technical Notes

Plugging of plain or threaded holes for

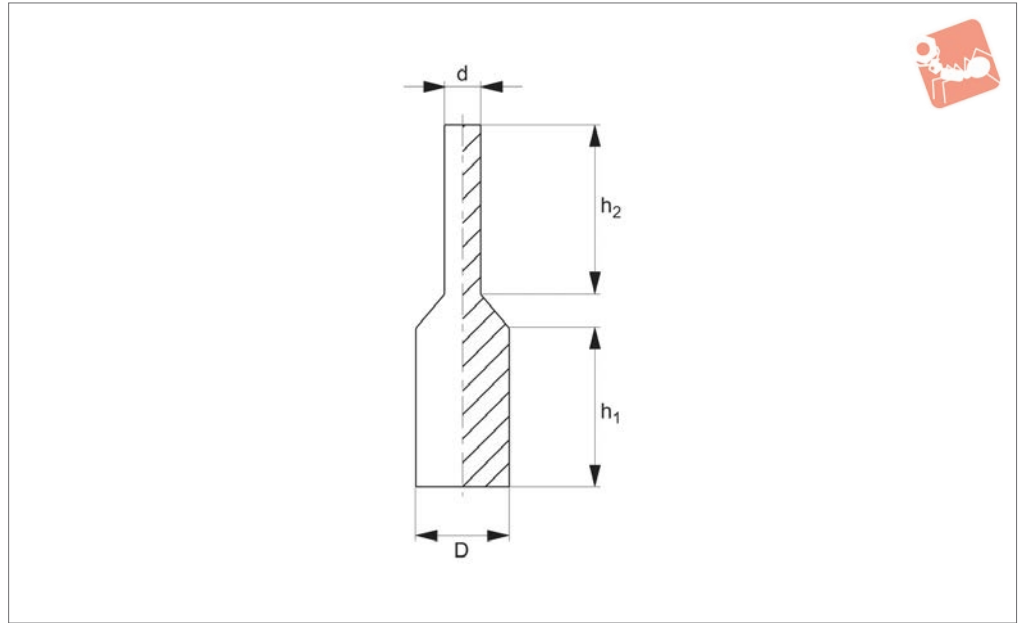
#### Important Notes

Sold subject to minimum pack quantity.

| Order No.    | d <sub>1</sub> | h    | d <sub>2</sub> |
|--------------|----------------|------|----------------|
| V0555.AC0841 | 0.8            | 15.9 | 3.2            |
| V0555.AC0843 | 1.6            | 15.9 | 4.8            |
| V0555.AC0845 | 3.2            | 19.1 | 6.4            |
| V0555.AC0847 | 4.8            | 15.9 | 8.7            |
| V0555.AC0849 | 6.4            | 19.1 | 9.5            |
| V0555.AC0851 | 8.7            | 20.6 | 11.9           |
| V0555.AC0853 | 10.3           | 25.4 | 15.1           |
| V0555.AC0855 | 11.1           | 25.4 | 17.5           |
| V0555.AC0857 | 14.3           | 25.4 | 19.1           |
| V0555.AC0859 | 15.9           | 25.4 | 19.8           |
| V0555.AC0861 | 18.3           | 25.4 | 23.8           |
| V0555.AC0863 | 19.8           | 25.4 | 25.4           |



**V0560**



**Material**

EPDM, black.

Temperature resistant to +180°C.

**Technical Notes**

For masking plain or threaded holes. Pull

out tab improves ease of removal after finishing process.

**Important Notes**

Sold subject to minimum pack quantity.

| Order No.    | d <sub>1</sub> | d <sub>2</sub> | h <sub>1</sub> | h <sub>2</sub> |
|--------------|----------------|----------------|----------------|----------------|
| V0560.AC0200 | 1.7            | 1.2            | 15.9           | 15.5           |
| V0560.AC0202 | 2.4            | 1.3            | 17.8           | 17.8           |
| V0560.AC0204 | 3.2            | 1.6            | 15.9           | 15.9           |
| V0560.AC0206 | 4.0            | 1.6            | 15.9           | 19.1           |
| V0560.AC0208 | 5.0            | 2.8            | 25.4           | 25.4           |
| V0560.AC0210 | 6.5            | 3.3            | 25.4           | 25.4           |
| V0560.AC0212 | 8.5            | 3.9            | 25.4           | 25.4           |
| V0560.AC0214 | 10.2           | 4.0            | 25.4           | 25.4           |
| V0560.AC0216 | 12.0           | 6.2            | 25.4           | 25.4           |
| V0560.AC0218 | 13.5           | 6.4            | 25.4           | 25.4           |
| V0560.AC0220 | 15.5           | 6.4            | 25.4           | 25.4           |