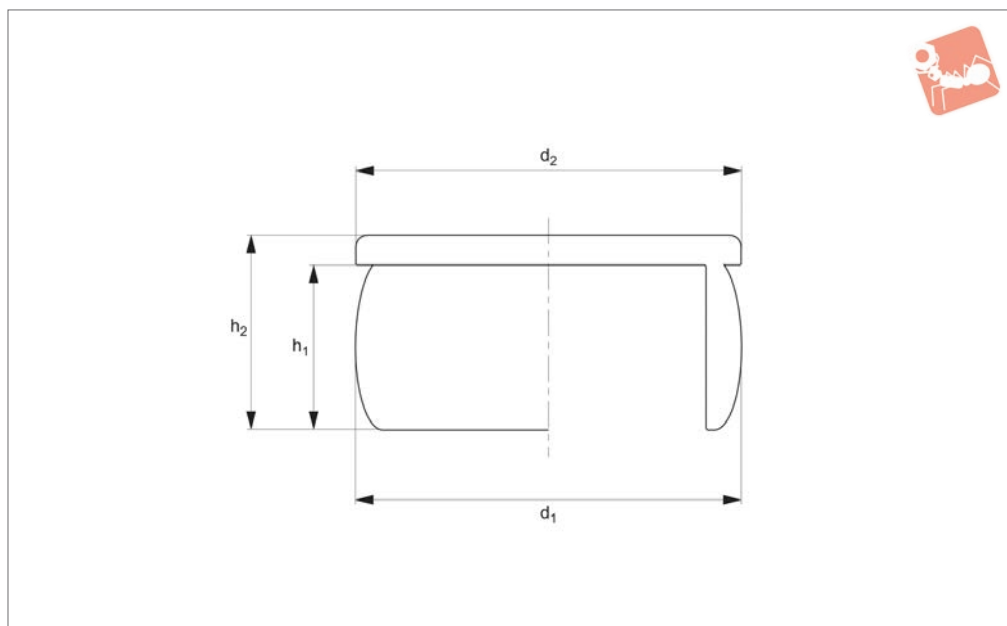




# Barrel Plugs flat head

# Caps, Plugs, Masking and



## V0100

CAPS, PLUGS, MASKING AND INSERTS

### Material

PVC, natural colour

ensures good fit.

### Technical Notes

Wide range of applications. Barrel shape

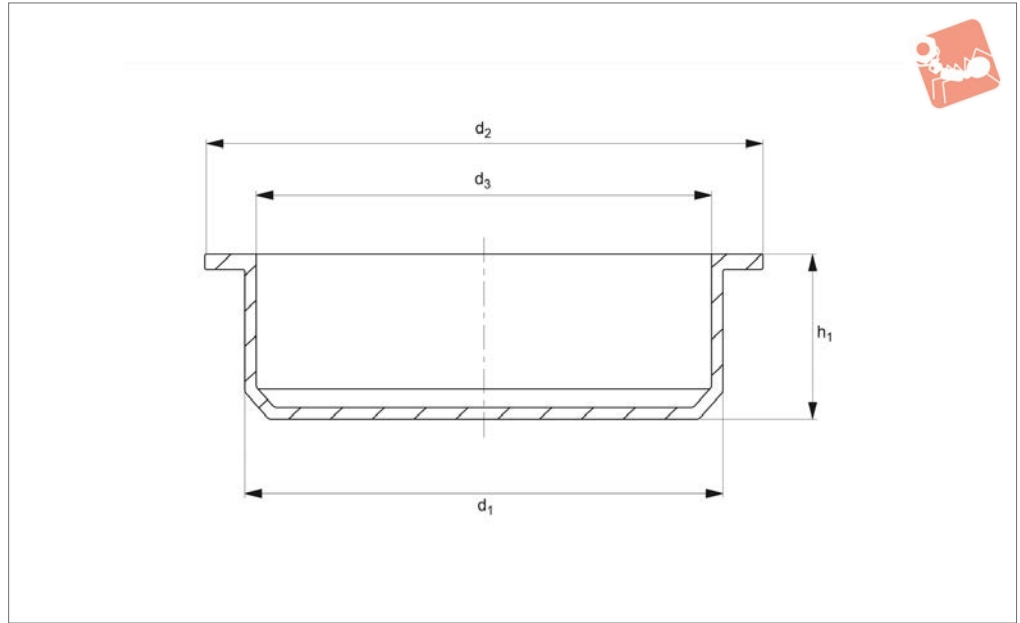
### Important Notes

Sold subject to minimum pack quantity.

| Order No.    | To fit thread    | $d_1$ | $d_2$ | $h_1$ | $h_2$ |
|--------------|------------------|-------|-------|-------|-------|
| V0100.AC0500 | M8x1             | 7.3   | 14    | 6.0   | 8.0   |
| V0100.AC0502 | M10              | 9.3   | 14    | 4.5   | 6.5   |
| V0100.AC0504 | 1/8" BSP         | 9.3   | 16    | 6.8   | 8.3   |
| V0100.AC0506 | M12x1,5          | 10.7  | 14    | 5.5   | 7.5   |
| V0100.AC0508 | M14              | 11.9  | 16    | 7.0   | 9.0   |
| V0100.AC0510 | M14x1,5          | 12.8  | 20    | 7.8   | 10.3  |
| V0100.AC0512 | -                | 13.7  | 20    | 8.0   | 10.0  |
| V0100.AC0514 | M18              | 15.6  | 20    | 8.0   | 10.0  |
| V0100.AC0516 | -                | 17.0  | 22    | 8.2   | 10.8  |
| V0100.AC0518 | 1/2" BSP         | 19.3  | 25    | 8.0   | 10.5  |
| V0100.AC0520 | M22x1,5          | 20.5  | 30    | 10.7  | 13.2  |
| V0100.AC0522 | 5/8" BSP         | 21.2  | 25    | 7.5   | 9.5   |
| V0100.AC0524 | M24x2,0          | 22.4  | 28    | 9.0   | 12.0  |
| V0100.AC0526 | 3/4" BSP         | 24.6  | 28    | 9.0   | 12.0  |
| V0100.AC0528 | M27x1,5          | 25.5  | 28    | 7.5   | 9.5   |
| V0100.AC0530 | M28x1,5          | 26.5  | 28    | 9.0   | 12.0  |
| V0100.AC0532 | 7/8" BSP         | 30.5  | 36    | 12.0  | 15.0  |
| V0100.AC0534 | M33x1,5 / 1" BSP | 31.8  | 36    | 10.0  | 12.5  |
| V0100.AC0536 | M35x1,5          | 33.5  | 36    | 12.0  | 15.0  |



**V0120**



**Material**

Polyethylene, natural colour.

**Technical Notes**

General purpose for a wide range of appli-

cations.

**Important Notes**

Sold subject to minimum pack quantity.

| Order No.    | $d_1$ | $d_2$ | $d_3$ | $h_1$ | Thread | Thread inch |
|--------------|-------|-------|-------|-------|--------|-------------|
| V0120.AC0001 | 3.0   | 6.5   | 2.0   | 5.2   | -      | -           |
| V0120.AC0003 | 3.5   | 6.9   | 2.0   | 5.5   | M 4    | -           |
| V0120.AC0005 | 4.0   | 7.5   | 3.0   | 6     | -      | -           |
| V0120.AC0007 | 4.5   | 8.0   | 3.5   | 6.0   | M 5    | -           |
| V0120.AC0009 | 5.0   | 9.0   | 4.0   | 7.0   | M 6    | -           |
| V0120.AC0011 | 5.5   | 9.0   | 4.5   | 7.0   | -      | -           |
| V0120.AC0013 | 6.0   | 9.5   | 5.0   | 7.0   | -      | -           |
| V0120.AC0015 | 6.5   | 9.9   | 5.5   | 8.0   | -      | -           |
| V0120.AC0017 | 7.0   | 10.0  | 6.0   | 7.2   | M 8    | -           |
| V0120.AC0019 | 7.5   | 10.5  | 6.3   | 7.5   | -      | -           |
| V0120.AC0021 | 8.0   | 11.3  | 7.0   | 7.8   | -      | -           |
| V0120.AC0023 | 8.5   | 11.5  | 7.5   | 8.7   | M10    | -           |
| V0120.AC0025 | 9.0   | 11.8  | 8.0   | 8.6   | -      | 1/8"        |
| V0120.AC0027 | 9.5   | 12.3  | 8.5   | 8.2   | -      | -           |
| V0120.AC0029 | 10.0  | 12.8  | 9.0   | 9.0   | -      | -           |
| V0120.AC0031 | 10.5  | 13.5  | 9.5   | 8.8   | M12    | -           |
| V0120.AC0033 | 11.0  | 14.0  | 10.0  | 9.0   | -      | -           |
| V0120.AC0035 | 11.5  | 14.5  | 10.5  | 9.0   | -      | -           |
| V0120.AC0037 | 12.0  | 15.3  | 11.0  | 9.2   | -      | 1/4"        |
| V0120.AC0039 | 12.5  | 15.7  | 11.5  | 9.2   | M14    | -           |
| V0120.AC0041 | 13.0  | 16.3  | 12.0  | 10.0  | -      | -           |
| V0120.AC0043 | 13.5  | 16.5  | 12.5  | 10.0  | -      | -           |
| V0120.AC0045 | 14.0  | 17.0  | 13.0  | 10.2  | -      | -           |
| V0120.AC0047 | 14.5  | 17.5  | 13.5  | 10.2  | M16    | -           |
| V0120.AC0049 | 15.0  | 18.4  | 14.0  | 10.2  | -      | -           |
| V0120.AC0051 | 15.5  | 19.3  | 14.5  | 10.2  | -      | 3/8"        |
| V0120.AC0053 | 16.0  | 20.0  | 15.0  | 11.0  | M18    | -           |
| V0120.AC0055 | 16.5  | 20.7  | 15.5  | 11.0  | -      | -           |
| V0120.AC0057 | 17.0  | 20.2  | 16.0  | 11.0  | -      | -           |
| V0120.AC0059 | 17.5  | 20.7  | 16.5  | 11.0  | -      | -           |
| V0120.AC0061 | 18.0  | 21.5  | 17.0  | 11.0  | M20    | -           |
| V0120.AC0063 | 18.5  | 23.0  | 17.5  | 11.0  | -      | -           |
| V0120.AC0065 | 19.0  | 22.7  | 18.0  | 11.2  | -      | 1/2"        |
| V0120.AC0067 | 19.5  | 23.5  | 18.5  | 11.7  | -      | -           |



# Parallel Protection Plug

push fit



Caps, Plugs,  
Masking and

| Order No.    | d <sub>1</sub> | d <sub>2</sub> | d <sub>3</sub> | h <sub>1</sub> | Thread | Thread inch |
|--------------|----------------|----------------|----------------|----------------|--------|-------------|
| V0120.AC0069 | 20.0           | 23.5           | 19.0           | 11.7           | M22    | -           |
| V0120.AC0071 | 20.5           | 24.5           | 19.5           | 11.7           | -      | -           |
| V0120.AC0073 | 21.0           | 25.0           | 20.0           | 11.8           | -      | 5/8"        |
| V0120.AC0075 | 21.5           | 25.5           | 20.0           | 12.0           | M24    | -           |
| V0120.AC0077 | 22.0           | 26.4           | 20.8           | 12.0           | -      | -           |
| V0120.AC0081 | 23.0           | 27.0           | 21.5           | 12.2           | -      | -           |
| V0120.AC0085 | 24.0           | 28.0           | 22.5           | 12.0           | -      | -           |
| V0120.AC0089 | 25.0           | 30.0           | 23.5           | 12.0           | M27    | 3/4"        |
| V0120.AC0093 | 26.0           | 30.9           | 24.5           | 11.6           | -      | -           |
| V0120.AC0095 | 26.5           | 30.4           | 25.0           | 11.5           | -      | -           |
| V0120.AC0097 | 27.0           | 31.0           | 25.2           | 10.4           | M30    | -           |
| V0120.AC0101 | 28.0           | 31.3           | 26.0           | 11.5           | -      | -           |
| V0120.AC0105 | 29.0           | 32.0           | 27.0           | 10.5           | -      | 7/8"        |
| V0120.AC0109 | 30.0           | 33.0           | 28.0           | 10.8           | M33    | -           |
| V0120.AC0113 | 31.0           | 35.0           | 29.0           | 11.8           | -      | 1"          |
| V0120.AC0117 | 32.0           | 36.9           | 30.0           | 11.6           | -      | -           |
| V0120.AC0119 | 32.5           | 37.4           | 30.5           | 11.6           | M36    | -           |
| V0120.AC0123 | 33.0           | 37.7           | 31.0           | 11.4           | -      | -           |
| V0120.AC0127 | 34.0           | 38.5           | 32.0           | 11.7           | -      | -           |
| V0120.AC0131 | 35.0           | 40.0           | 33.0           | 11.4           | -      | -           |
| V0120.AC0135 | 36.0           | 41.2           | 34.0           | 12.0           | M39    | -           |
| V0120.AC0139 | 37.0           | 41.6           | 35.0           | 11.5           | -      | -           |
| V0120.AC0143 | 38.0           | 42.0           | 36.0           | 11.5           | M42    | -           |
| V0120.AC0147 | 39.0           | 43.8           | 37.0           | 11.3           | -      | -           |
| V0120.AC0151 | 40.0           | 44.5           | 38.0           | 11.5           | -      | 1,1/4"      |
| V0120.AC0155 | 41.0           | 45.7           | 39.0           | 11.5           | -      | -           |
| V0120.AC0159 | 42.0           | 47.0           | 40.0           | 11.3           | -      | -           |
| V0120.AC0163 | 43.0           | 47.5           | 41.0           | 11.8           | -      | -           |
| V0120.AC0167 | 44.0           | 48.6           | 42.0           | 11.3           | -      | -           |
| V0120.AC0170 | 45.0           | 50.6           | 43.0           | 11.7           | -      | -           |
| V0120.AC0175 | 46.0           | 50.6           | 44.0           | 11.3           | -      | 1,1/2"      |
| V0120.AC0179 | 47.0           | 51.3           | 45.0           | 11.3           | -      | -           |
| V0120.AC0183 | 48.0           | 53.2           | 46.0           | 11.5           | -      | -           |
| V0120.AC0187 | 49.0           | 53.7           | 47.0           | 11.5           | -      | -           |
| V0120.AC0191 | 50.0           | 54.1           | 48.0           | 11.0           | -      | -           |
| V0120.AC0195 | 51.0           | 54.5           | 49.0           | 10.8           | -      | -           |
| V0120.AC0199 | 52.0           | 60.0           | 50.0           | 12.0           | -      | -           |
| V0120.AC0203 | 53.0           | 59.0           | 51.0           | 11.9           | -      | -           |
| V0120.AC0207 | 54.0           | 60.5           | 52.0           | 12.0           | -      | -           |
| V0120.AC0211 | 55.0           | 61.2           | 53.0           | 12.0           | -      | -           |
| V0120.AC0215 | 56.0           | 62.4           | 54.0           | 13.0           | -      | -           |
| V0120.AC0219 | 57.0           | 60.2           | 55.0           | 10.8           | -      | -           |
| V0120.AC0223 | 58.0           | 64.6           | 56.0           | 11.7           | -      | -           |
| V0120.AC0227 | 59.0           | 66.7           | 57.0           | 10.7           | -      | -           |
| V0120.AC0231 | 60.0           | 67.3           | 58.0           | 12.0           | -      | -           |
| V0120.AC0235 | 61.0           | 67.1           | 59.0           | 12.5           | -      | -           |
| V0120.AC0239 | 62.0           | 68.7           | 60.0           | 12.2           | -      | -           |
| V0120.AC0243 | 63.0           | 66.5           | 61.0           | 11.0           | -      | -           |
| V0120.AC0245 | 63.5           | 69.5           | 61.0           | 11.5           | -      | -           |
| V0120.AC0247 | 64.0           | 67.2           | 62.0           | 10.7           | -      | -           |
| V0120.AC0251 | 65.0           | 68.7           | 63.0           | 11.5           | -      | -           |
| V0120.AC0255 | 66.0           | 71.5           | 64.0           | 11.7           | -      | -           |
| V0120.AC0259 | 67.0           | 73.0           | 65.0           | 11.5           | -      | -           |
| V0120.AC0263 | 68.0           | 74.2           | 66.0           | 11.8           | -      | -           |
| V0120.AC0267 | 69.0           | 75.0           | 67.0           | 11.9           | -      | -           |
| V0120.AC0271 | 70.0           | 74.2           | 68.0           | 12.1           | -      | -           |
| V0120.AC0275 | 71.0           | 75.0           | 69.0           | 12.5           | -      | -           |
| V0120.AC0279 | 72.0           | 79.0           | 70.0           | 13.0           | -      | -           |
| V0120.AC0283 | 73.0           | 76.5           | 71.0           | 12.0           | -      | -           |
| V0120.AC0287 | 74.0           | 77.0           | 72.0           | 11.8           | -      | -           |
| V0120.AC0291 | 75.0           | 78.5           | 72.5           | 11.2           | -      | -           |
| V0120.AC0295 | 76.0           | 78.8           | 74.0           | 11.5           | -      | -           |
| V0120.AC0299 | 77.0           | 80.5           | 75.0           | 11.0           | -      | -           |
| V0120.AC0303 | 78.0           | 81.7           | 76.0           | 11.7           | -      | -           |
| V0120.AC0307 | 79.0           | 82.0           | 77.0           | 11.0           | -      | -           |
| V0120.AC0311 | 80.0           | 83.5           | 78.0           | 10.7           | -      | -           |
| V0120.AC0315 | 81.0           | 84.0           | 79.0           | 10.7           | -      | -           |
| V0120.AC0319 | 82.0           | 85.5           | 80.0           | 10.5           | -      | -           |

CAPS, PLUGS, MASKING AND INSERTS



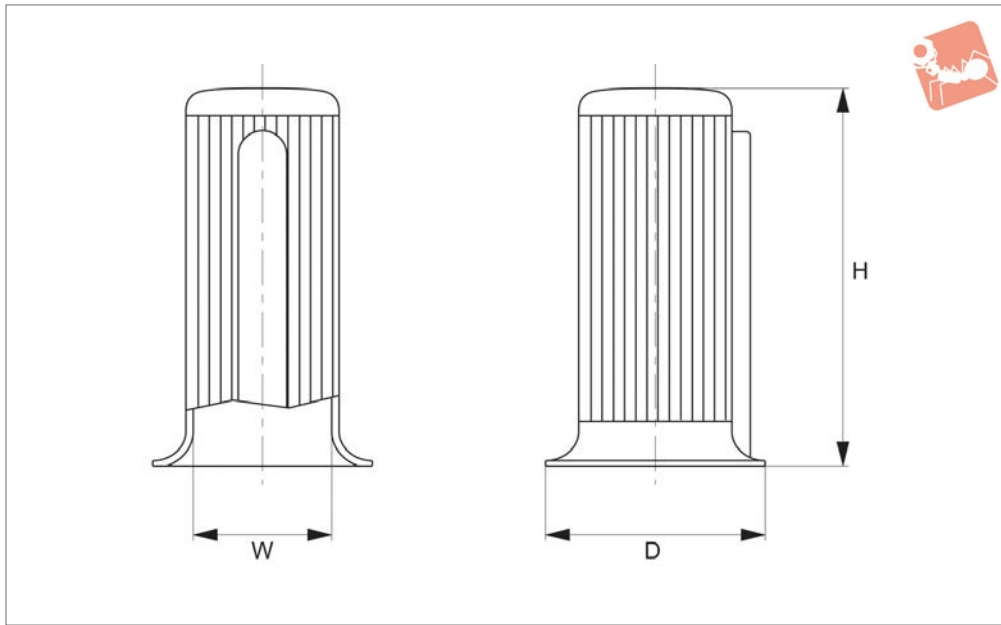
| Order No.    | d <sub>1</sub> | d <sub>2</sub> | d <sub>3</sub> | h <sub>1</sub> | Thread | Thread inch |
|--------------|----------------|----------------|----------------|----------------|--------|-------------|
| V0120.AC0323 | 83.0           | 86.0           | 81.0           | 10.7           | -      | -           |
| V0120.AC0327 | 84.0           | 90.0           | 82.0           | 12.0           | -      | -           |
| V0120.AC0329 | 84.5           | 90.0           | 82.0           | 9.2            | -      | -           |
| V0120.AC0331 | 85.0           | 89.0           | 83.0           | 11.0           | -      | -           |
| V0120.AC0335 | 86.0           | 89.0           | 83.5           | 11.0           | -      | -           |
| V0120.AC0339 | 86.5           | 90.0           | 84.0           | 11.0           | -      | -           |
| V0120.AC0343 | 87.0           | 90.0           | 85.0           | 10.7           | -      | -           |
| V0120.AC0347 | 88.0           | 91.0           | 86.0           | 10.5           | -      | -           |
| V0120.AC0351 | 89.0           | 92.5           | 87.0           | 12.0           | -      | -           |
| V0120.AC0355 | 90.0           | 93.5           | 88.0           | 11.0           | -      | -           |
| V0120.AC0359 | 91.0           | 94.3           | 89.0           | 11.0           | -      | -           |
| V0120.AC0363 | 92.0           | 95.8           | 90.0           | 10.8           | -      | -           |
| V0120.AC0367 | 93.0           | 95.6           | 91.0           | 10.8           | -      | -           |
| V0120.AC0371 | 94.0           | 97.5           | 92.0           | 10.7           | -      | -           |
| V0120.AC0375 | 95.0           | 97.8           | 93.0           | 10.7           | -      | -           |
| V0120.AC0379 | 96.0           | 99.5           | 94.0           | 10.8           | -      | -           |
| V0120.AC0383 | 97.0           | 100.1          | 95.0           | 10.7           | -      | -           |
| V0120.AC0387 | 98.0           | 101.8          | 96.0           | 10.8           | -      | -           |
| V0120.AC0391 | 99.0           | 102.5          | 97.0           | 10.7           | -      | -           |
| V0120.AC0395 | 100.0          | 104.5          | 98.0           | 11.5           | -      | -           |



# Drive Shaft Protection Caps

push-fit

Caps, Plugs,  
Masking and



**V0200**

CAPS, PLUGS, MASKING AND INSERTS

### Material

Low density polyethylene, yellow.

### Important Notes

Sold subject to minimum pack quantity.

### Technical Notes

For protection of drive shafts to DIN 748.

| Order No.    | w    | d     | h     |
|--------------|------|-------|-------|
| V0200.AC0251 | 9.0  | 14.5  | 24.0  |
| V0200.AC0253 | 11.0 | 17.5  | 27.5  |
| V0200.AC0255 | 14.0 | 22.5  | 35.0  |
| V0200.AC0257 | 15.0 | 25.5  | 32.0  |
| V0200.AC0259 | 16.0 | 25.5  | 47.0  |
| V0200.AC0261 | 19.0 | 30.5  | 47.0  |
| V0200.AC0263 | 20.0 | 32.0  | 58.5  |
| V0200.AC0265 | 22.0 | 35.5  | 58.5  |
| V0200.AC0267 | 24.0 | 38.5  | 58.5  |
| V0200.AC0269 | 25.0 | 40.0  | 70.0  |
| V0200.AC0271 | 28.0 | 45.0  | 70.0  |
| V0200.AC0273 | 30.0 | 48.0  | 93.5  |
| V0200.AC0275 | 32.0 | 51.0  | 93.5  |
| V0200.AC0277 | 35.0 | 56.0  | 93.5  |
| V0200.AC0279 | 38.0 | 61.0  | 93.5  |
| V0200.AC0281 | 42.0 | 67.0  | 127.5 |
| V0200.AC0283 | 45.0 | 72.0  | 117.5 |
| V0200.AC0285 | 48.0 | 77.0  | 127.5 |
| V0200.AC0287 | 55.0 | 88.0  | 127.5 |
| V0200.AC0289 | 60.0 | 96.0  | 164.0 |
| V0200.AC0291 | 65.0 | 104.0 | 164.0 |
| V0200.AC0293 | 75.0 | 112.0 | 164.0 |