

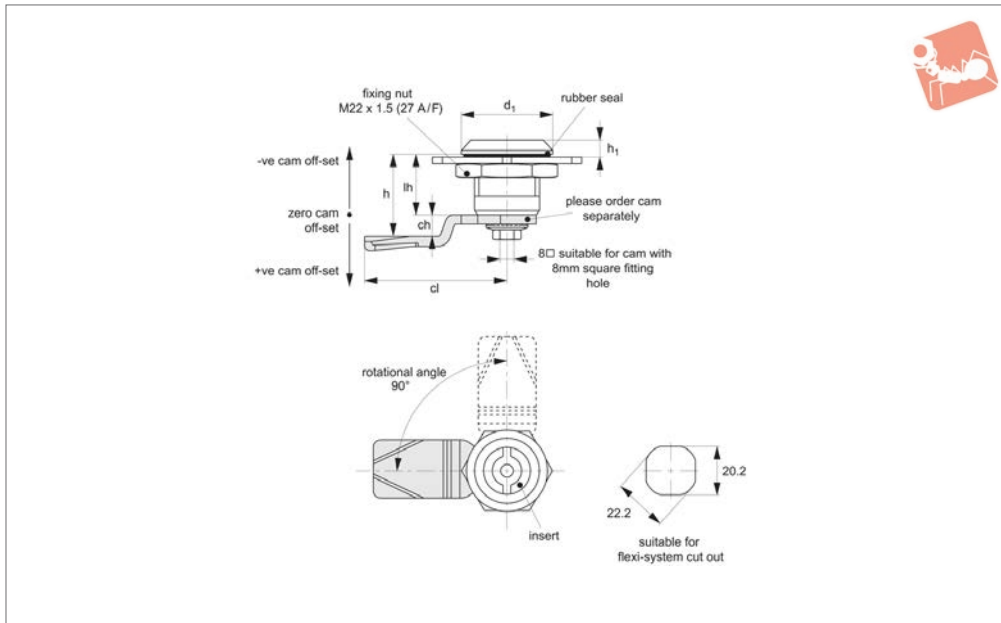


Cam Latches - Flexi-System

insert driver - fixed grip - zinc



Cam Latches



A1003

CAM LATCHES

Material

Body & insert: die cast zinc. Finished in chrome plate or black powder coating. Insert fitted with O'ring to achieve IP54 rating. Internal spring provides 1,5mm torsion.

Supplied with: Nut: steel, zinc plated. Sealing washer: PU and rubber.

Not supplied: CAM nor KEY - order separately.

Technical Notes

Order cam and key separately.

Cams: see suitable cam A0203, A0224 and A0240. Select „without projection“ cam type.

Dimensions ch and cl relate to cam. Use formula to calculate ch (required cam off-set), and refer to cam selection chart;

ch = h - lh where;

ch = required cam off-set/height.

h = grip length (distance between inside of latch face and front of cam).

lh = body length of cam latch/lock to be used (see product table below).

Keys: see A0102.

Rods & Guides: to achieve 3-point latching - A0303, A0321, A0325.






Important Notes

Extended body version - A1251.




Sold subject to pack quantity.

Order No.	Finish	Insert driver	d ₁	h ₁	lh
A1003.AW0010	Chrome Plated	Square 7	28	6	18
A1003.AW0310	Black Coated	Square 7	28	6	18
A1003.AW0020	Chrome Plated	Square 8	28	6	18
A1003.AW0320	Black Coated	Square 8	28	6	18
A1003.AW0040	Chrome Plated	Triangle 7	28	6	18
A1003.AW0340	Black Coated	Triangle 7	28	6	18
A1003.AW0050	Chrome Plated	Triangle 8	28	6	18
A1003.AW0350	Black Coated	Triangle 8	28	6	18
A1003.AW0060	Chrome Plated	3mm Double Bit	28	6	18
A1003.AW0360	Black Coated	3mm Double Bit	28	6	18
A1003.AW0070	Chrome Plated	4mm Double Bit	28	6	18
A1003.AW0370	Black Coated	4mm Double Bit	28	6	18
A1003.AW0080	Chrome Plated	Slotted (2x4)	28	6	18
A1003.AW0380	Black Coated	Slotted (2x4)	28	6	18



Actuation Method	Body	Finishes	Cam Type	IP Rating	cut out	
					16,2	13,5
Insert Driver Cylinder Lock Manual/Grip	Die-Cast Zinc Polyamide Plastic Stainless Steel	Chrome Plated Black Coated Natural	With Projection W/O Projection			
A1661 - Mini Compression Latch - Fixed Grip						
	✓	22,5	✓	✓	✓	54
Cams: A0234 - Keys: A0102						
A1667 - Mini Compression Latch - Wing Handle - Fixed Grip						
	✓	22,5	✓	✓	✓	54
Cams: A0234 - Keys: N/A						
Actuation Method	Body	Finishes	Cam Type	IP Rating	cut out	
					16,2	14,2
Insert Driver Cylinder Lock Manual/Grip	Die-Cast Zinc Polyamide Plastic Stainless Steel	Chrome Plated Black Coated Natural	With Projection W/O Projection			
A1261 - Mini Cam Latch - Fixed Grip						
	✓	12,5	✓	✓	✓	✓
Cams: A0261 - Keys: A0102						
A1281 - Mini Cam Latch - Wing Handle - Fixed Grip						
	✓	12,5	✓	✓	✓	✓
Cams: A0261 - Keys: N/A						
A2390 - Mini Cam Lock - Wing Handle - Fixed Grip						
	✓	13	✓	✓	✓	✓
Cams: A0261 - Keys: Supplied						

Actuation Method	Body	Finishes	Cam Type	IP Rating	cut out	
					Ø19	16
Insert Driver Cylinder Lock Manual/Grip	Die-Cast Zinc Polyamide Plastic Stainless Steel	Chrome Plated Black Coated Natural	With Projection W/O Projection			
A2326 - Mini Cam Lock - Fixed Grip						
	✓	16,5	✓	✓	✓	✓
Cams: Supplied - Keys: Supplied						
A2328 - Mini Cam Lock - Fixed Grip						
	✓	15	✓	✓	✓	✓
Cams: N/A - Keys: Supplied						
A2330 - Mini Cam Lock - Fixed Grip						
	✓	11	✓	✓	✓	✓
Cams: Supplied - Keys: Supplied						
A2331 - Mini Cam Lock - Fixed Grip						
	✓	16	✓	✓	✓	✓
Cams: Supplied - Keys: Supplied						
A2342 - Mini Cam Lock - Fixed Grip - Radial Key						
	✓	13	✓	✓	✓	✓
Cams: Supplied - Keys: Supplied						
A2393 - Mini Cam Lock - Wing Handle - Fixed Grip						
	✓	11	✓	✓	✓	✓
Cams: Supplied - Keys: Supplied						

Actuation Method	Body	Finishes	Cam Type	IP Rating	cut out	
					Ø18,5	16,5
Insert Driver Cylinder Lock Manual/Grip	Die-Cast Zinc Polyamide Plastic Stainless Steel	Chrome Plated Black Coated Natural	With Projection W/O Projection			
A2333 - Mini Cam Lock - Fixed Grip						
	✓	Various	✓	✓	✓	✓
Cams: A0203, A0224, A0240 - Keys: Supplied						
A2340 - Mini Cam Lock - Fixed Grip						
	✓	15	✓	✓	✓	✓
Cams: Supplied - Keys: Supplied						
A2392 - Mini Cam Lock - Wing Handle - Fixed Grip						
	✓	24	✓	✓	✓	✓
Cams: A0203, A0224, A0240 - Keys: Supplied						

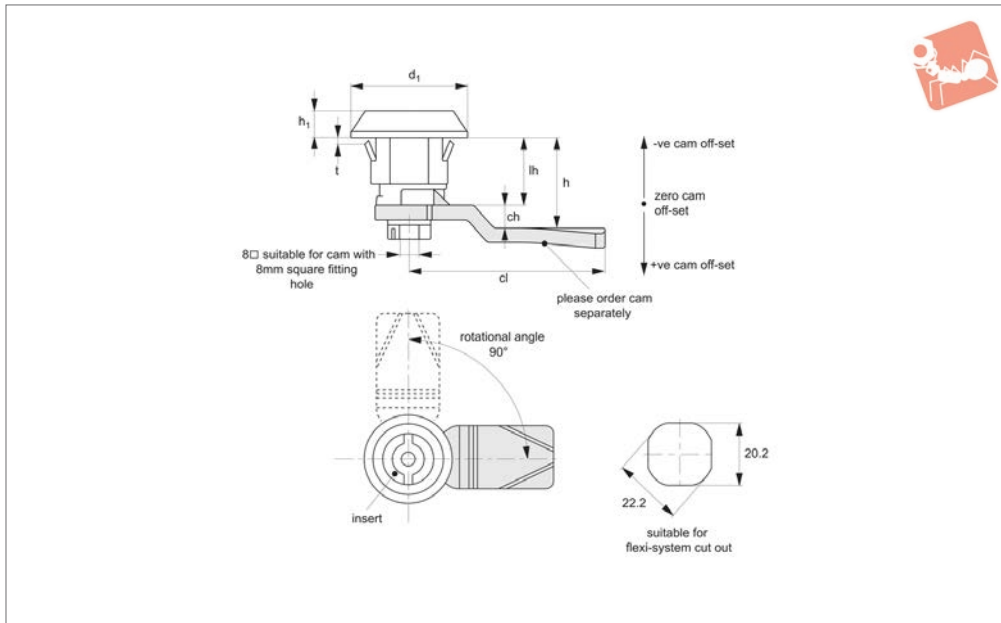


Cam Latches - Snap in - Flexi-System

Fixed grip, polyamide



Cam Latches



A1004

CAM LATCHES

Material

Body: PA plastic.

Insert: Die cast zinc.

Supplied with: Nut: steel, zinc plated.

Sealing washer: PU and rubber.

Not supplied: CAM nor KEY - order separately.

Technical Notes

Order cam and key separately.

Cams: see suitable cam A0203, A0224 and A0240. Select „with projection“ cam type. Dimensions ch and cl relate to cam. Use formula to calculate ch (required cam off-set), and refer to cam selection chart; $ch = h - lh$ where; $ch =$ required cam off-set/height. $h =$ grip length (distance between inside of latch face and front of cam).

$lh =$ body length of cam latch/lock to be used (see product table below). Suitable for panel thickness 0,8-1,5mm. **Keys:** see A0102.

Tips

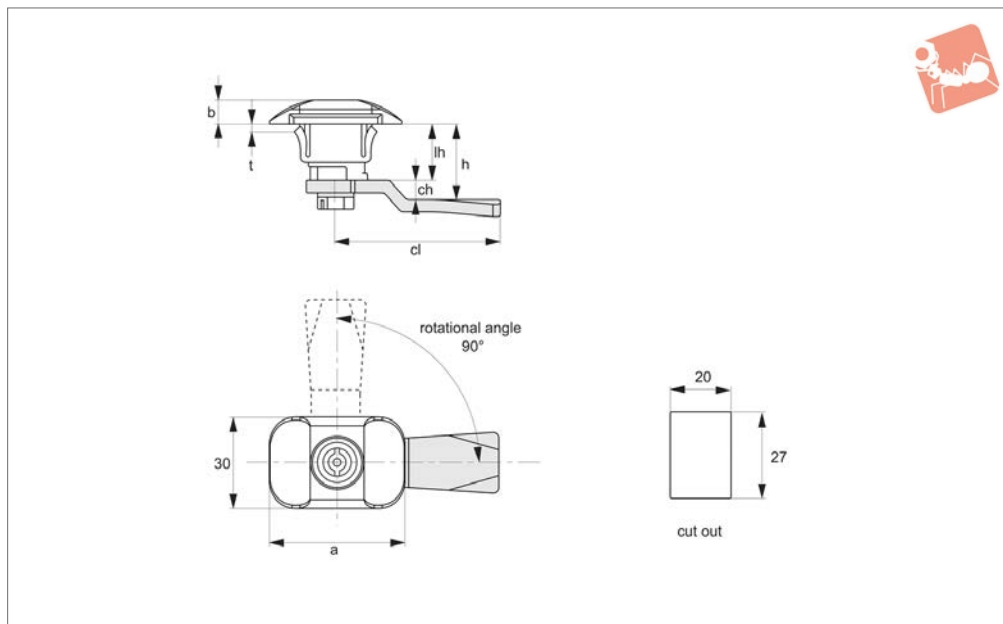
Easy snap on fix mounting. Make cut out in panel as shown, and simply push in handle, snap on clips will spring back to securely mount handle.

Order No.	Insert driver	d_1	h_1	t	lh
A1004.AW0020	Square 8	Ø30	7.5	0,8-1,5	18
A1004.AW0075	5mm Double Bit	Ø30	7.5	0,8-1,5	18





A1010



Material

Body: Black plastic (PA6).

Insert: Zinc.

Not supplied: Cam - order separately.

Technical Notes

Order cam and key separately.

Cams: see suitable cam A0203, A0224 and

A0240. Select „with projection“ cam type.

Dimensions ch and cl relate to cam. Use formula to calculate ch (required cam off-set), and refer to cam selection chart;

$ch = h - lh$ where;

ch = required cam off-set/height.

h = grip length (distance between inside of

latch face and front of cam).

lh = body length of cam latch/lock to be used (see product table below).

Suitable for panel thickness 0,8-2mm.

Keys: see A0102.

Order No.	Insert driver	a	b	t	lh
A1010.AW0020	8mm Square	43	7.5	0,8-2	17.8
A1010.AW0070	5mm Double Bit	43	7.5	0,8-2	17.8

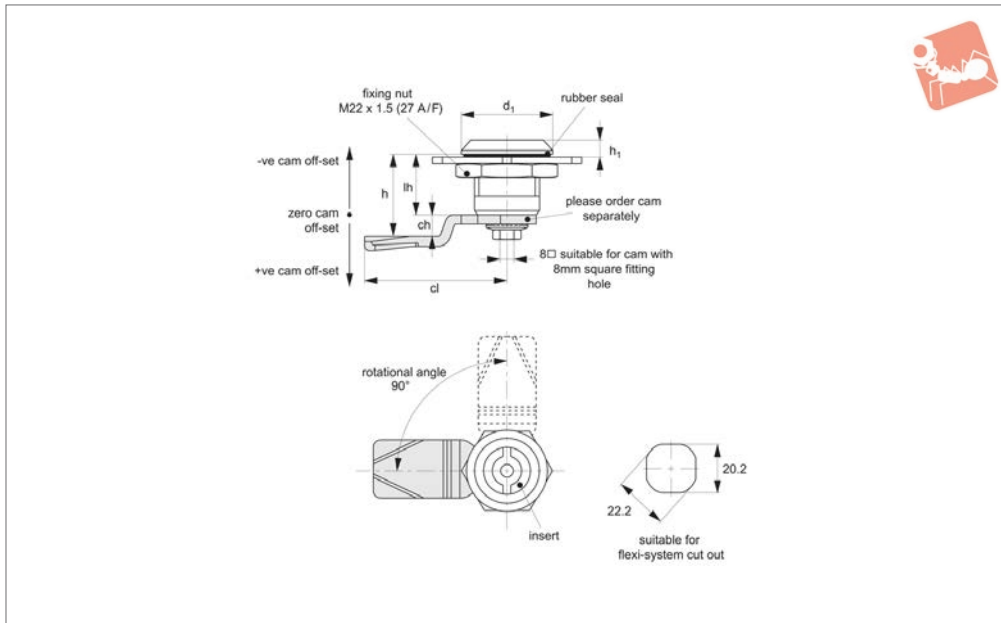


Cam Latches - Flexi-System

insert driver - fixed grip - plastic



Cam Latches



A1021

CAM LATCHES

Material

Body: polyamide plastic, black.
 Insert: zinc alloy, black coated. Fitted with O'ring to achieve IP54 rating. Internal spring provides 1,5mm torsion.
Supplied with: Nut: steel, zinc plated.
 Sealing washer: PU & Rubber.
Not supplied: CAM nor KEY - order separately.

Technical Notes

Order cam and key separately.

Cams: see suitable cam A0203, A0224 and A0240. Select „without projection“ cam type.
 Dimensions ch and cl relate to cam. Use formula to calculate ch (required cam off-set), and refer to cam selection chart;
 $ch = h - lh$ where;
 ch = required cam off-set/height.
 h = grip length (distance between inside of latch face and front of cam).
 lh = body length of cam latch/lock to be

used (see product table below).

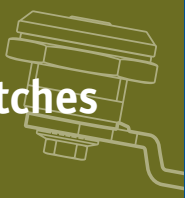
Keys: see A0102.

Rods & Guides: to achieve 3-point latching - A0303, A0321, A0325.

Important Notes

An inexpensive alternative to stainless steel, where water or other solutions may cause corrosion.
 Sold subject to pack quantity.

Order No.	Insert driver	d ₁	h ₁	lh
A1021.AW0010	Square 7	28	6	18
A1021.AW0020	Square 8	28	6	18
A1021.AW0040	Triangle 7	28	6	18
A1021.AW0050	Triangle 8	28	6	18
A1021.AW0060	3mm Double Bit	28	6	18
A1021.AW0070	4mm Double Bit	28	6	18
A1021.AW0080	Slotted (2x4)	28	6	18



Available insert drivers:

Square 7	Square 8	Triangle 7	Triangle 8	3mm Double Bit	4mm Double Bit	2 x 4mm Slotted

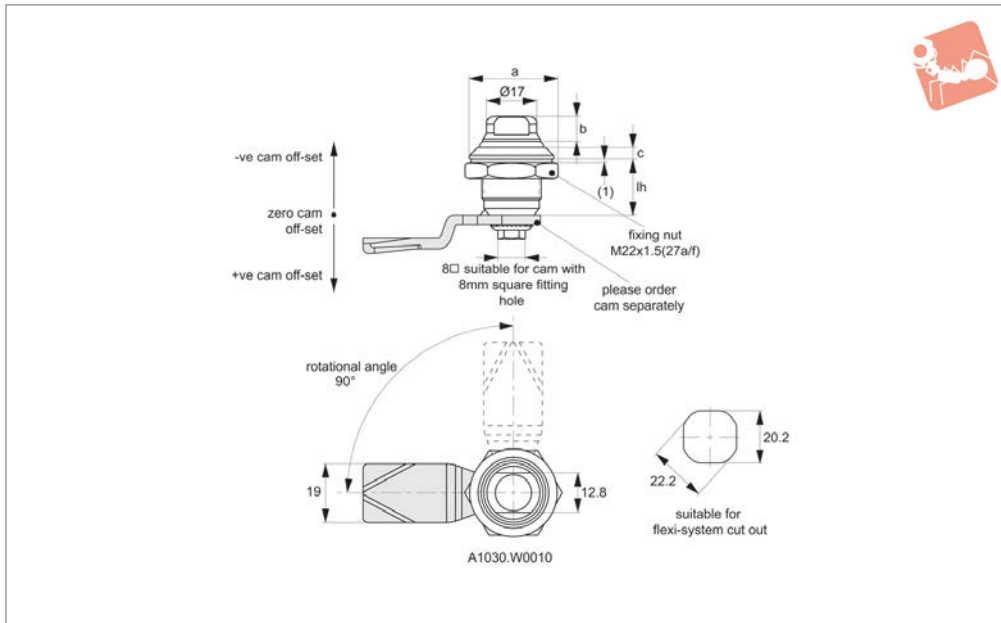


Cam Latches - Flexi-System

hygienic - stainless steel



Cam Latches



A1030

CAM LATCHES

Material

Body, inset and screw: stainless steel AISI 316.

Fitted with sealing gasket to achieve IP65 rating.

Sealing washer: silicone.

Not supplied: CAM nor KEY - order separately.

Technical Notes

Order cam key separately.

No need for key. Designed for use with spanner.

Cams: see suitable cam A0203 (steel), A0210 (stainless). Select „without projection“ cam type.

Dimensions ch and cl relate to cam. Use formula to calculate ch (required cam off-set), and refer to cam selection chart;

ch = h - lh where;

ch = required cam off-set/height.

h = grip length (distance between inside of latch face and front of cam).

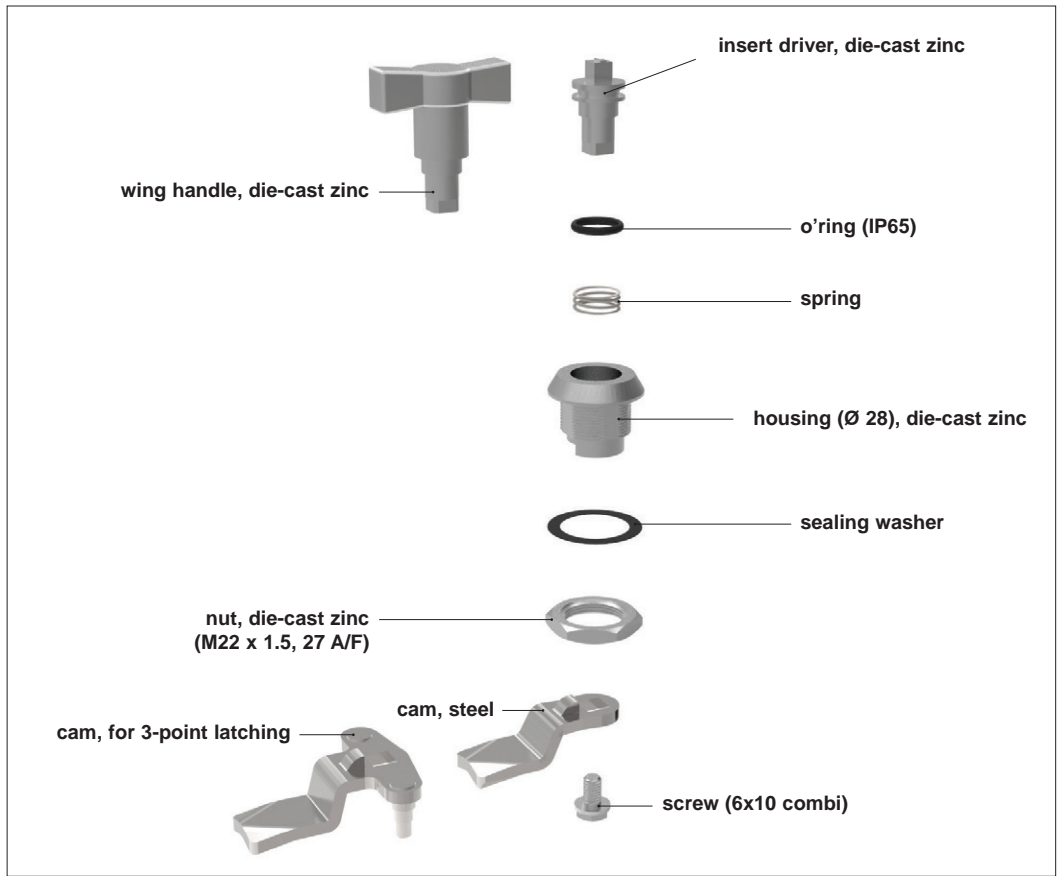
lh = body length of cam latch/lock to be used (see product table below).

Order No.	Extruded driver	a	b	lh	c
A1030.AW0010	Stadium	28	8	18	4

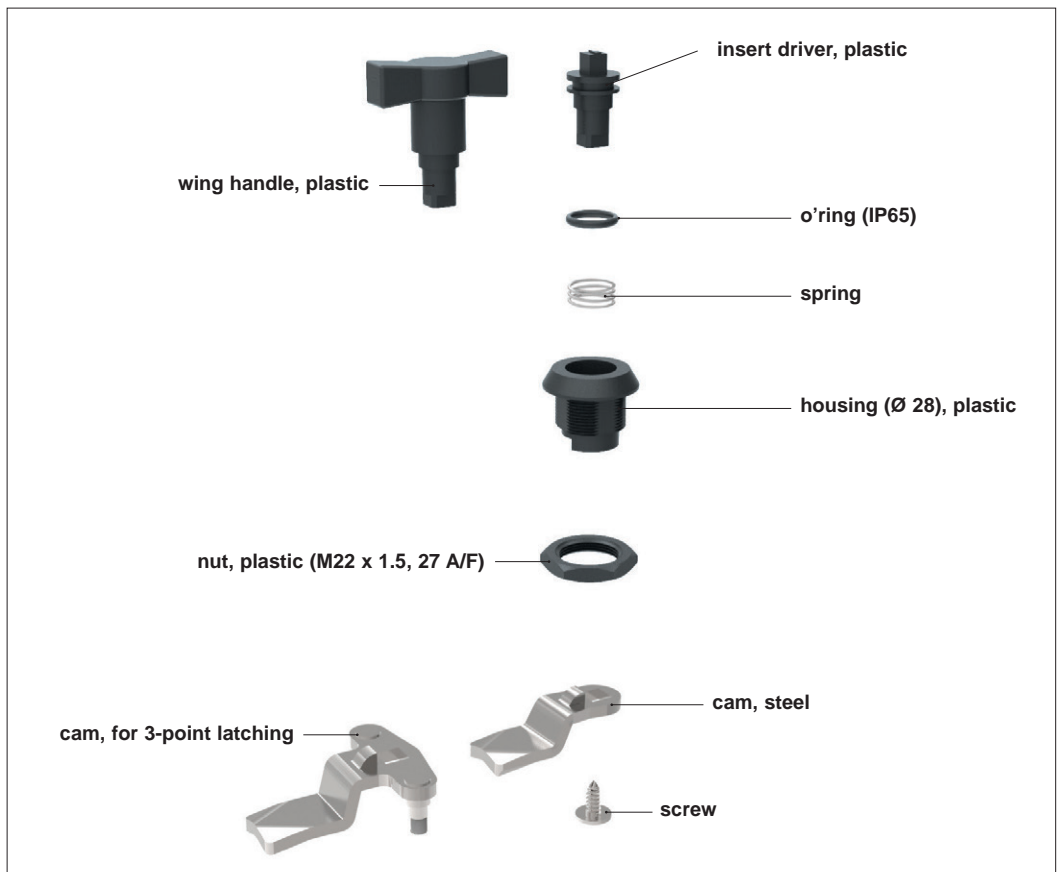


Die-cast Zinc: A1003, A1181

(also A1103 in stainless steel).



Plastic: A1021, A1181



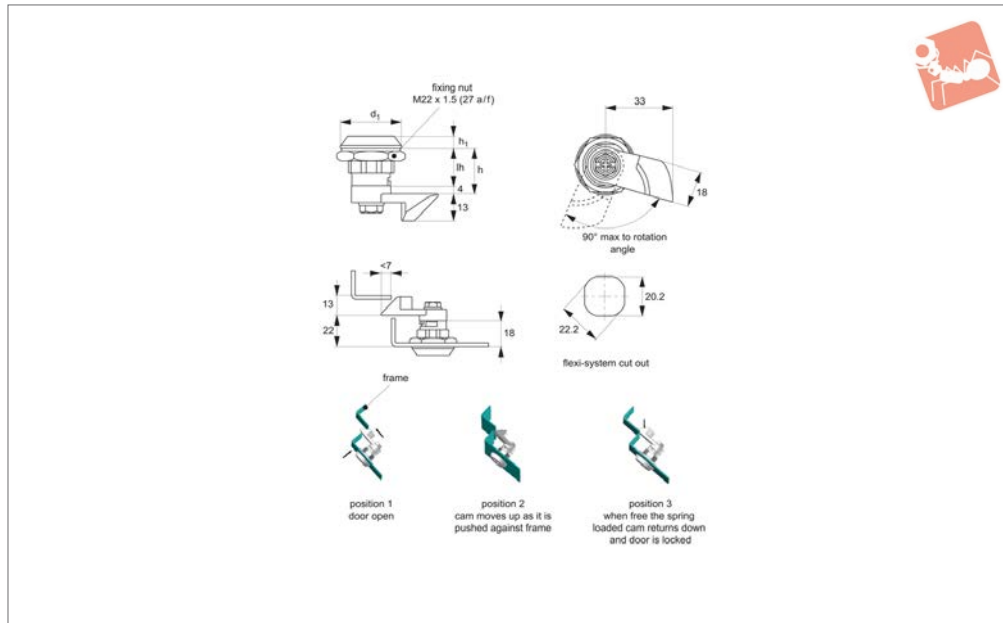


Cam Latches - Flexi-System

insert driver - push to close - fixed grip - zinc



Cam Latches



A1041

CAM LATCHES

Material

Body & Insert: die cast zinc, bright chrome plated.

Supplied with: Cam: die cast zinc, bright chrome plated - fixed off-set of 4mm.

Not supplied: KEY - order separately.

Technical Notes

Order key separately.

Keys: see A0102.

Tips

Spring loaded cam provides depress-to-lock action. See application drawings for operation. Quarter turn opening or closing. Right hand type for panel with hinges on right side, left hand type for panels with hinges on left side. Grip length of cam

fixed at 22mm (lh + 4mm).

Important Notes

Sold subject to pack quantity.

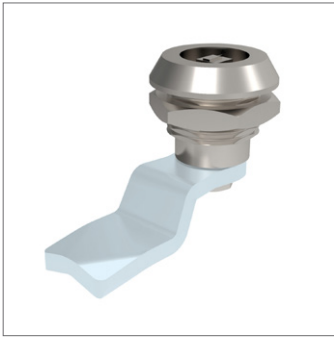
Order No.	Type	Insert driver	d ₁	h ₁	lh	h
A1041.AW0020	Right	Square 8	28	4	18	22
A1041.AW0050	Right	Triangle 8	28	4	18	22
A1041.AW0070	Right	4mm Double Bit	28	4	18	22
A1041.AW0080	Right	Slotted (2x4)	28	4	18	22
A1041.AW0520	Left	Square 8	28	4	18	22
A1041.AW0550	Left	Triangle 8	28	4	18	22
A1041.AW0570	Left	4mm Double Bit	28	4	18	22
A1041.AW0580	Left	Slotted (2x4)	28	4	18	22

Available insert drivers:

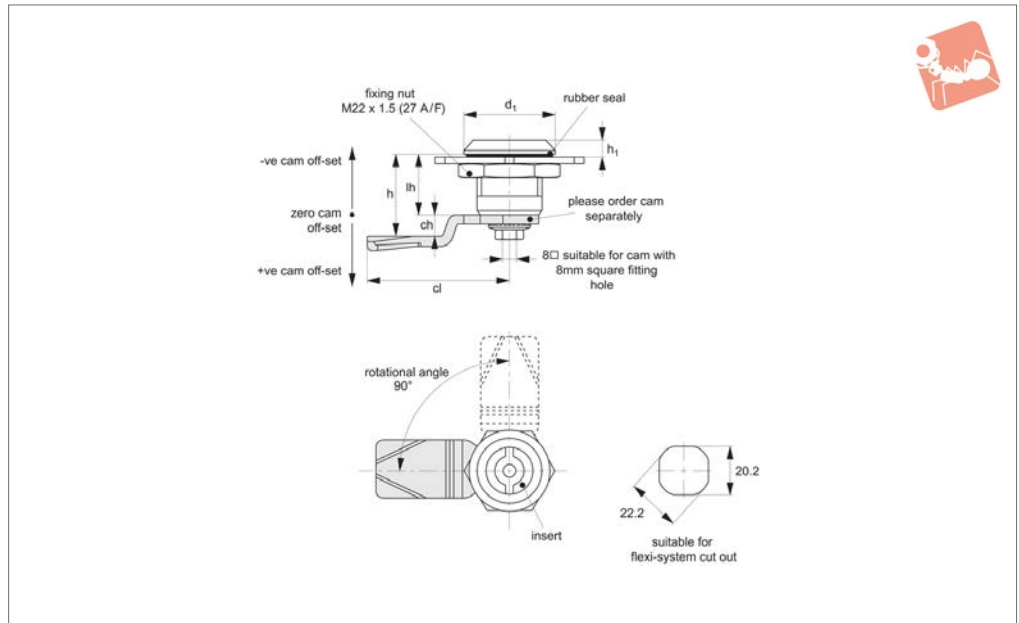
Square 8	Triangle 8	4mm Double Bit	2 x 4mm Slotted



CAM LATCHES



A1103



Material

Body & Insert: stainless steel, AISI 304.
Insert fitted with O'ring to achieve IP54 rating. Internal spring provides 1,5mm torsion.

Supplied with: Nut: stainless steel.

Sealing washer: PU & Rubber.

Not supplied: CAM nor KEY - order separately.

Technical Notes

Order cam and key separately.

Cams: see suitable cam A0210. Select „without projection“ cam type.

Dimensions ch and cl relate to cam. Use formula to calculate ch (required cam off-set), and refer to cam selection chart;

$ch = h - lh$ where;

ch = required cam off-set/height.

h = grip length (distance between inside of latch face and front of cam).

lh = body length of cam latch/lock to be used (see product table below).

Keys: see A0102.

Rods & Guides: to achieve 3-point latching - A0303, A0321, A0325.

Order No.	Insert driver	d_1	h_1	lh
A1103.AW0020	Square 8	28	6	18
A1103.AW0040	Triangle 7	28	6	18
A1103.AW0050	Triangle 8	28	6	18
A1103.AW0060	3mm Double Bit	28	6	18
A1103.AW0070	4mm Double Bit	28	6	18

Available insert drivers:

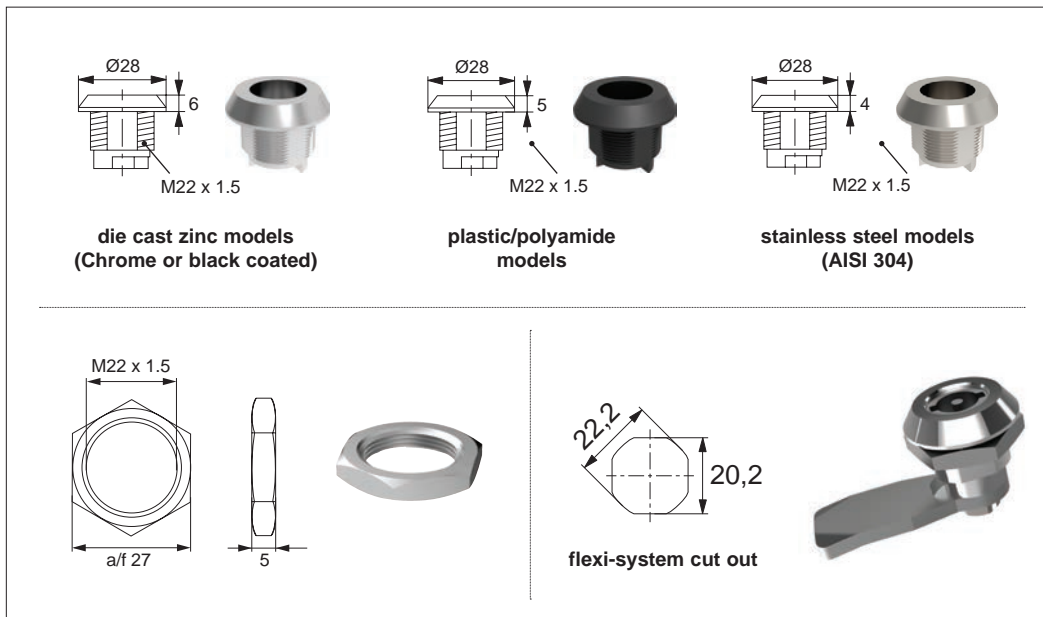
Square 8	Triangle 7	Triangle 8	3mm Double Bit	4mm Double Bit
8	6.5	8	Ø 3	Ø 4



Wixroyd Cam Latches

general information

Cam Latches and Locks



Dimensions of our cam latch housings

Dimensions apply to our standard range of flexi-system cam latches.

CAM LATCHES

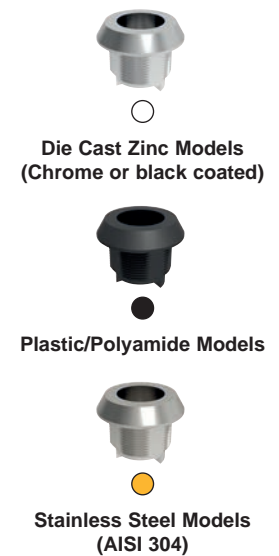
Available insert drivers for flexi-system latches

3mm double bit <input checked="" type="checkbox"/> <input type="checkbox"/> <input type="checkbox"/> <input type="checkbox"/>	4mm double bit <input checked="" type="checkbox"/> <input type="checkbox"/> <input type="checkbox"/> <input type="checkbox"/>	6mm square <input type="checkbox"/>	7mm square <input checked="" type="checkbox"/> <input type="checkbox"/> <input type="checkbox"/>	8mm square <input checked="" type="checkbox"/> <input type="checkbox"/> <input type="checkbox"/> <input type="checkbox"/>
7mm triangle <input checked="" type="checkbox"/> <input type="checkbox"/> <input type="checkbox"/> <input type="checkbox"/>	8mm triangle <input checked="" type="checkbox"/> <input type="checkbox"/> <input type="checkbox"/> <input type="checkbox"/>	9mm triangle <input type="checkbox"/> <input type="checkbox"/>	Slotted <input checked="" type="checkbox"/> <input type="checkbox"/> <input type="checkbox"/>	Square 8mm with slot <input type="checkbox"/> <input type="checkbox"/>
10mm hex <input type="checkbox"/> <input type="checkbox"/>	8mm hex <input type="checkbox"/> <input type="checkbox"/>	8mm hex security pin <input type="checkbox"/> <input type="checkbox"/>	13mm eastern european <input type="checkbox"/> <input type="checkbox"/>	Tubular <input type="checkbox"/> <input type="checkbox"/>

✓ Available as part of our standard range

✗ Available subject to a minimum order quantity

Available materials



ov-WA1004-A-T-WA1251-A-TCC0460-cam-latches-general-information-mh-Updated -26-10-2022



All our cam latches use a standard cut out dimension of 22,2 Ø and 20,2 square which accommodates many industry standards. Flexi-System parts are fully interchangeable, providing a completely flexible hardware system including two or three point latching systems.

Flexi-system

CAM LATCHES



insert driver cam latches



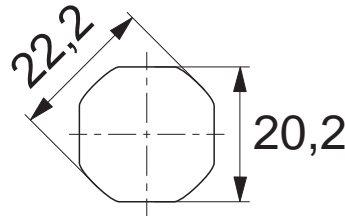
padlockable cam latches



wing handle cam latches



extended grip cam latches



flexi-system cut out



cam locks



t-handle locks



l-handle locks



compression latches



Wixroyd Cam and Compression Latches

flexi-system cut out product selection charts



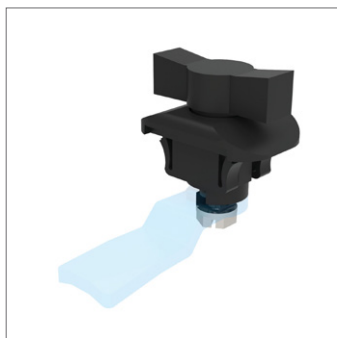
Cam Latches and Locks

flexi-system cut out 	Actuation Method			Body length (mm)	Body			Finishes			Cam Type		IP Rating
	Insert Driver	Cylinder Lock	Manual/Grip		Die-Cast Zinc	Polyamide Plastic	Stainless Steel	Chrome Plated	Black Coated	Natural	With Projection	W/O Projection	
A1003 - Cam Latch - Fixed Grip 	✓			18	✓			✓	✓		✓	54	
Cams: A0203, A0224, A0240 - Keys: A0102													
A1021 - Cam Latch - Fixed Grip 	✓			18	✓					✓	✓	54	
Cams: A0203, A0224, A0240 - Keys: A0102													
A1041 - Cam Latch - Push-to-Close - Fixed Grip 	✓			18	✓			✓					
Cams: Supplied - Keys: A0102													
A1103 - Cam Latch - Fixed Grip 	✓			18		✓				✓	✓	54	
Cams: A0210 - Keys: A0102													
A1161 - Cam Latch - Padlockable - Fixed Grip 		✓		18	✓			✓	✓		✓		
Cams: A0203, A0224, A0240 - Keys: Padlockable													
A1168 - Cam Latch - Dust Proof Cap - Fixed Grip 	✓			18	✓			✓			✓	54	
Cams: A0203, A0224, A0240 - Keys: A0102													
A1181 - Cam Latch - Wing Handle - Fixed Grip 			✓	18,5	✓	✓		✓	✓	✓	✓	54	
Cams: A0203, A0224, A0240 - Keys: N/A													

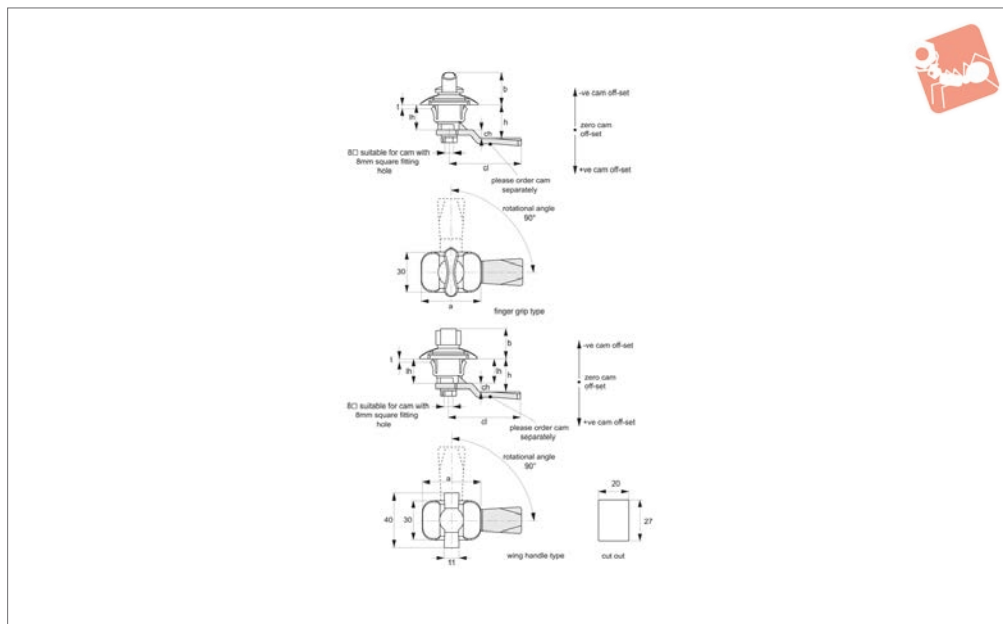
	Actuation Method			Body length (mm)	Body			Finishes			Cam Type		IP Rating
	Insert Driver	Cylinder Lock	Manual/Grip		Die-Cast Zinc	Polyamide Plastic	Stainless Steel	Chrome Plated	Black Coated	Natural	With Projection	W/O Projection	
A1203 - Cam Latch - Finger Handle - Fixed Grip 		✓		Various	✓					✓	✓	54	
Cams: A0203, A0224, A0240 - Keys: N/A													
A1210 - Cam Latch - Tamper Evident 		✓		20	✓					✓		54	
Cams: A0203, A0224, A0240 - Keys: N/A													
A1241 - Cam Latch - Stepped Grip 	✓			Various	✓					✓		65	
Cams: Supplied - Keys: A0102													
A1251 - Cam Latch - Fixed Extended Body 	✓			Various	✓					✓		54	
Cams: A0203, A0224, A0240 - Keys: A0102													
A1580 - Compression Latch - Fixed Grip 		✓		18	✓					✓		54	
Cams: N/A - Keys: A0102													
A1601 - Compression Latch - Fixed Grip 	✓			31	✓					✓	✓	54	
Cams: A0203, A0224 - Keys: A0102													
A1603 - Compression Latch - Fixed Grip 	✓			38	✓					✓		54	
Cams: A0231, A0233 - Keys: A0102													

CAM LATCHES

ov-WA1003-A-TCC0400-WA1251-A-TCC0460-cam-compression-latches-product-selection-chart-a-rmh-Updated-27-10-2022



A1185



Material

Body and Handle: Black plastic (PA6).

Not supplied: Cam - order separately.

Technical Notes

Order cam and key separately.

Cams: see suitable cam A0203, A0224 and A0240. Select „with projection“ cam type.

Dimensions ch and cl relate to cam. Use formula to calculate ch (required cam off-

set), and refer to cam selection chart;

$ch = h - lh$ where;

ch = required cam off-set/height.

h = grip length (distance between inside of latch face and front of cam).

lh = body length of cam latch/lock to be used (see product table below).

Suitable for panel thickness 0,8-2mm

Keys: see A0102.

Tips

Easy snap on fix mounting. Make cut out in panel as shown, and simply push in handle, snap on clips will spring back to securely mount handle.

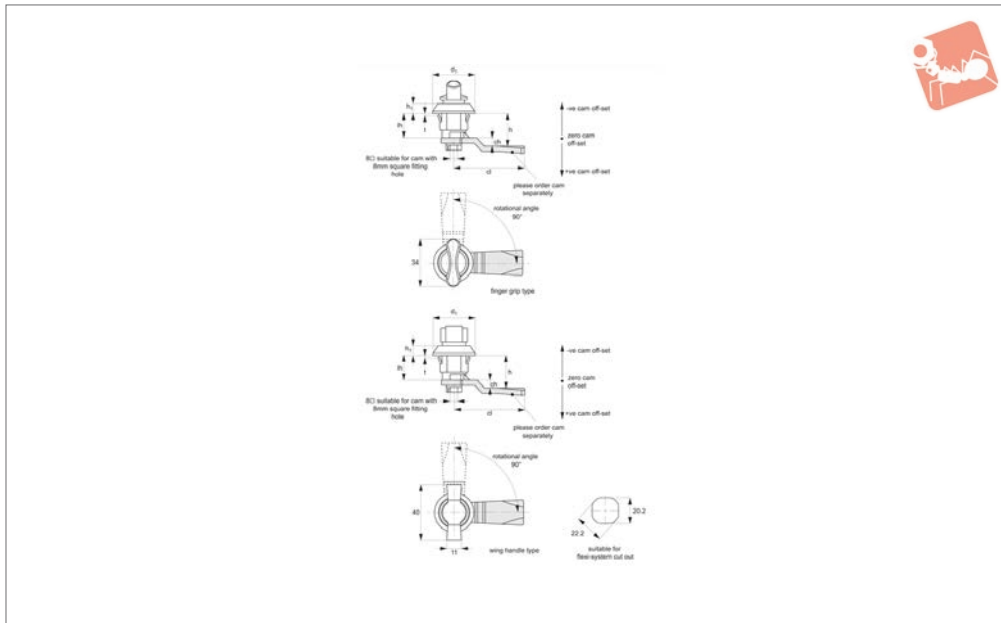
Wing handle enables easy actuation without the need for a key.

Order No.	Handle	a	b	t	lh
A1185.AW0010	Wing Handle	43	22.5	0,8-2	18.5
A1185.AW0020	Finger Grip	43	24	0,8-2	18.5



Cam Latches - Snap in - Flexi-System

Wing handle, fixed grip, zinc



A1195

CAM LATCHES

Material

Body and Handle: Black plastic (PA6).

Not supplied: Cam - order separately.

Technical Notes

Order cam and key separately.

Cams: see suitable cam A0203, A0224 and A0240. Select „with projection“ cam type. Dimensions ch and cl relate to cam. Use formula to calculate ch (required cam off-

set), and refer to cam selection chart;

ch = h - lh where;

ch = required cam off-set/height.

h = grip length (distance between inside of latch face and front of cam).

lh = body length of cam latch/lock to be used (see product table below).

Suitable for panel thickness 0,8-1.5mm

Keys: see A0102.

Tips

Easy snap on fix mounting. Make cut out in panel as shown, and simply push in handle, snap on clips will spring back to securely mount handle.

Wing handle enables easy actuation without the need for a key.

Order No.	Handle	d ₁	h ₁	t	lh
A1195.AW0010	Finger Grip	Ø30	7.5	0,8-1,5	18
A1195.AW0020	Wing Handle	Ø30	7.5	0,8-1,5	18



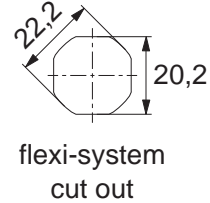
When selecting a Wixroyd Cam Latch for your application, you need to answer these questions:

1. Which installation cut out?
2. Which body style?
3. Which locking key?
4. Which accessories?
5. Which cam type and size?

Step 1: Which installation cut out?

Cut out

All our Flexi-System cam latches use a standard installation cut out 22,2 dia, 20,2 square, for maximum flexibility. We also provide a number of alternative cut out dimensions for legacy/historical installations.



Step 2: Which body style?

Material and finish

Select from our variety of die cast zinc, polyamide plastic and stainless versions.



Die-cast zinc chrome plate

Die-cast zinc black coated

Polyamide black

Stainless steel

Actuation and locking method

Standard insert driver type, cylinder lock or wing handle type.



Insert driver

Cylinder lock

Wing handle

Number of latching points in application

Typically single point latching is required, but the Wixroyd Flexi-System also provides multi-point latching (typically 3 point - at lock point, top and bottom of cabinet).



Single point

Two point

Multi-point

Step 3: Which locking key?

Standard insert driver keys

Our range of insert driver cam latches require a simple key to actuate. Refer to part A0102 and A0103 for correct keys.



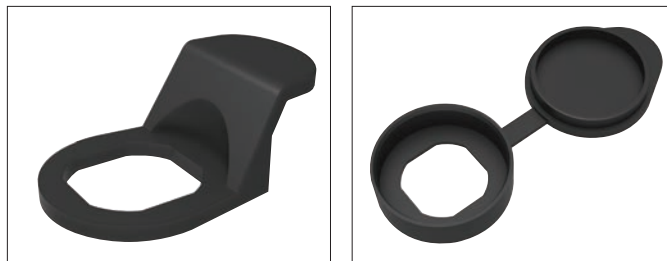
Cylinder locking

Our cam locks with cylinder locks are supplied with two keys per lock. Available as keyed alike or keyed to differ locks.



Step 4: Which accessories?

- Multi-point latching: use our rod set A0303 to A0325 for suitable rods and rod guides.
- Finger pulls: easily installed with any of our flexi-system cam bodies, finger pull no. A0352 is a simple, cost effective handle for your cabinets.
- Dust Cap: to reduce material ingress.

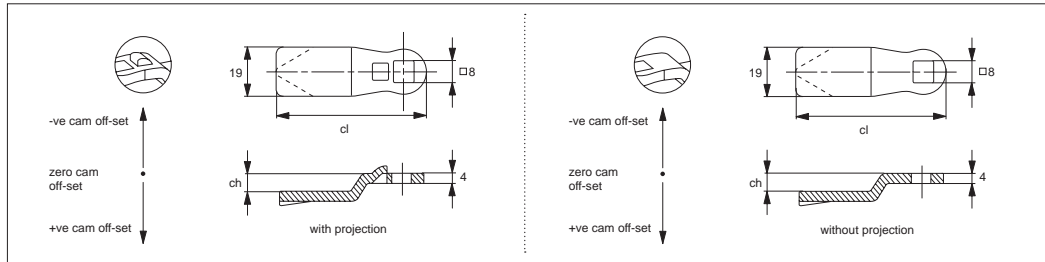


Selecting the Correct Cam Latch or Lock

Cam Latches and Locks

With or without "Projection"

Different cam bodies require cams either with or without projection.



With projection cams prevent turning of the cam over 45°, but is not suited to all cam bodies. For correct projection type please see individual cam body technical pages.

Number of Latching Points

Single point cams are suitable where just single point latching is required. Multi-point cams are for applications requiring 2 or 3 latching points.

Step 5: Which cam type and size?

Wixroyd cams are available in a number of different materials; zinc plated steel, stainless steel (AISI 304) and black plastic.

Cam off-set (dimension ch)

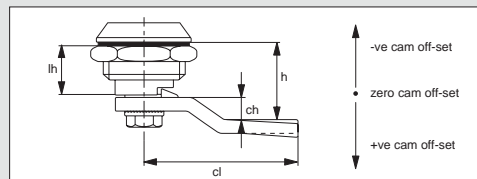
To ensure your cam fully and correctly engages with the frame of your door the correct cam off-set must be selected. A cam off-set can be either negative (-ve) or positive (+ve).

Cam length (dimension cl)

This impacts the reach of the cam to door frame and hence impacts positioning of cam body for installation. Cam length is measured from the centre of the cam fixing hole to the cam's leading edge. Most typically cams are 45 mm in length.

Use formula to calculate ch (required cam off-set), and refer to the cam selection chart.

- ch = h - lh where;
- ch = the required cam off-set/height
- h = grip length (distance between inside of latch face and front of cam).
- lh = body length of cam latch/lock to be used (see example below)



Calculation of correct cam off-set

This is the most important aspect of the selection process.

Example one

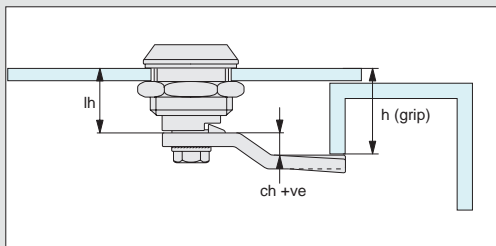
Cam body A1003.AW0010 has been selected for the application. If we refer to the data sheet for this part, suitable cams are parts A0203, A0210 or A0240 - "without projection".

Known application information: h = 26 lh = 18

Therefore; ch = 26 - 18 = +8

Cam off set of +8 is required

Using the data tables for cams A0203, A0210, and A0240 we can select the following cams without projection with an off set of +8; A0203.AW5408 (steel), A0210.AW0428 (stainless) or A0240.AW0108 (three point cam).



Example two

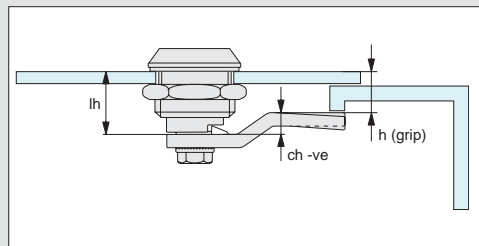
Cam body A1003.AW0010 has been selected for the application. If we refer to the data sheet for this part, suitable cams are parts A0203, A0210 or A0240 - "without projection".

Known application information: h = 14 lh = 18

Therefore; ch = 14 - 18 = - 4

The required cam off set is negative, - 4 as the application's door frame is effectively shorter/lower than the length of the cam body

Using the data tables for cams A0203, A0210 and A0240 we can select the following cam without projection with an off set of - 4; A0203.AW6404 (steel).



Example of calculation of correct cam off-set



Suitable With Projection Cams				
Compatible cam no.	A0261	A0203	A0210	A0240
Cam fitting hole	6 x 6 square 	8 x 8 square 	8 x 8 square 	8 x 8 square
Cam latch / lock no.	A1261 / A1281 / A2390	A2503 / A2504 A2523 / A2528	A2503 / A2504 A2523 / A2528	A2503 / A2504 A2523 / A2528

Suitable Without Projection Cams Table 1				
Compatible cam no.	A0203	A0210	A0240	A0243
Cam fitting hole	8 x 8 square 	8 x 8 square 	8 x 8 square 	8 x 8 square
Cam latch / lock no.	A1003 / A1021 / A1103 A1161 / A1168 / A1181 A1203 / A1210 / A1251 A1601 / A1620 / A1801 A2001 / A2203 / A2326 A2333 / A2392 / A2526 A4221 / A4241 / A4260 B1082 / B1086 / B1088 B1091 / B1092 / B1180 B1281 / B1285 / B1380 B1450 / B2091 / B2181	A1003 / A1021 / A1103 A1161 / A1168 / A1181 A1203 / A1210 / A1251 A1601 / A1620 / A1801 A2001 / A2203 / A2326 A2333 / A2392 / A2526 A4221 / A4241 / A4260 B1082 / B1086 / B1088 B1091 / B1092 / B1180 B1281 / B1285 / B1380 B1450 / B2091 / B2181	A1003 / A1021 / A1103 A1161 / A1168 / A1181 A1203 / A1210 / A1251 A1601 / A1620 / A1801 A2001 / A2203 / A2326 A2333 / A2392 / A2526 A4221 / A4241 / A4260 B1082 / B1086 / B1088 B1091 / B1092 / B1180 B1281 / B1285 / B1380 B1450 / B2091 / B2181	A1003 / A1021 / A1103 A1161 / A1168 / A1181 A1203 / A1210 / A1251 A1601 / A1620 / A1801 A2001 / A2203 / A2326 A2333 / A2392 / A2526 A4221 / A4241 / A4260 B1082 / B1086 / B1088 B1091 / B1092 / B1180 B1281 / B1285 / B1380 B1450 / B2091 / B2181

Suitable Without Projection Cams Table 2					
Compatible cam no.	A0250	A0234	A0215	A0231	A0233
Cam fitting hole	5 x 5 square 	6,3 dia. x 4,9 	7 x 7 square 	8 x 10 dia. 	8 x 10 dia.
Cam latch / lock no.	A4600 / A4620	A1661 / A1667	B2082 / B2084 / B2086 B2088 / B2285 / B2380	A1603 / A1611 A1630 / A1810	A1603 / A1611 A1630 / A1810

Calculation of correct cam off-set

Cam off-set

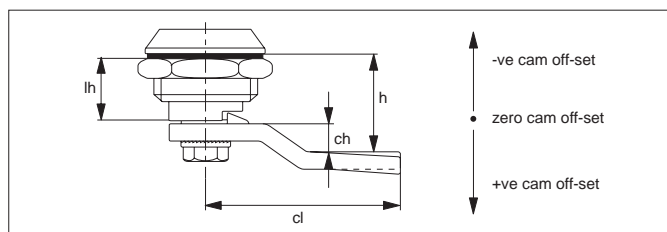
Use the formula to calculate your correct cam off-set:

$$ch = h - lh$$

ch = the required cam off-set.

h = distance between inside of lock face and front of cam (also referred to as "grip length").

lh = length of cam body to be used (refer to individual cam body data sheets).



Cam Off-Set (dimension ch)

To ensure your cam fully and correctly engages with the frame of your door the correct cam off-set must be selected. A cam off-set can be either negative (-ve) or positive (+ve).

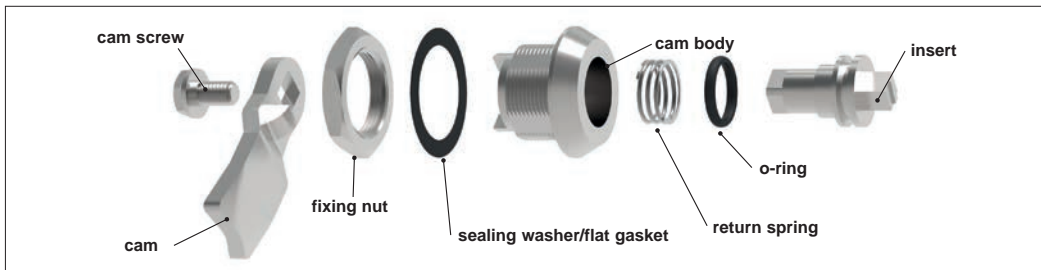
Cam Length (dimension cl)

Impacts reach of the cam to door frame and hence impacts positioning of cam body for installation. Cam length or reach is measured from the centre of the cam fixing hole to the cam's leading edge. Refer to individual cam body datasheets.



Wixroyd Cam Latches

technical specification and advice



Physical and chemical characteristics of polyamide

Physical condition	solid (at 20°C)
Density	> 1,0 g/cm ³
Yield Point	220°C
Smell	No particular smell
Dissolvability in water	Undissolvable
Segregation temperature	> 350°C
Fire Point	>390°C
Auto ignition temperature	> 400°C

Zinc

Zinc Alloy is the most fundamental material for the Wixroyd product range. Housings, inserts, handles, spacers, keys, hinges etc, are all die cast products. The zinc used is a zinc alloy with the following contents (except zinc): Al 4,03% Cu 0,83% as well as minor contents of Mg, Fe, Pb, Cd, Sn and Ni.

RoHS Compliance

Our Cam Latches are RoHS Compliant.



Materials

Plastic - Polyamide

Many of our products are made of injection moulded plastic, normally polyamide. When needed, we add fibreglass to the material, in order to optimise qualities of the product. Examples of products made out of polyamide: handles, housings, rod guides etc.

Degrees of sealing protection

A product classified to an IP rating has either been tested in an independent laboratory, or due to the resemblance of its structure to a tested product, classified as IP.

Important note: We can only guarantee our products correspond to the indicated classification when assembled and used correctly.

IP65 RATED

IP 65: Dust Tight and Jetting Secure. Through the application of an o-ring and a flat gasket, this higher classification can be achieved.

IP54 RATED

IP 54: Dust and Splash Protected. This is the standard classification for our products. Equivalent to NEMA3.

IP ratings

Character	Value	Standard
Density	1,35 g/cm ³	DIN 53479
Hardness	65 Shore A	DIN 53505
Breaking Strain	5 N/mm ²	DIN 53504
Expansion	200%	DIN 53504
Heat & cold resistance	max. 70°C, min. -35°C	

Through the application of a flat gasket between the lock and the door, class IP 65 or NEMA 4 is achieved.

Pressure deformation test			
Time/temp.	Type of test	Standard	Result
22h/100°C	DVR	DIN 53517 A	9%
70h/100°C	DVR	DIN 53517 A	12%

The flat gasket is made out of a mixture of NBR (Nitrile Rubber) and SBR (Styrolbutadiene Rubber). This gives the gasket a satisfactory chemical resistance and a good constancy to oil.

Flat gaskets/ Sealing Washer

Character	Value	Standard
Density	1,240 g/cm ³	DIN 53479
Hardness	71 Shore A	DIN 53505
Breaking strain	14 N/mm ²	DIN 53504
Expansion	280%	DIN 53504
Recoil elasticity	32%	DIN 53512
Heat & cold resistance	max. 120°C, min. -40°C	

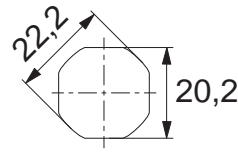
For all O-rings, an NBR material with the following technical characteristics is used.

O Rings



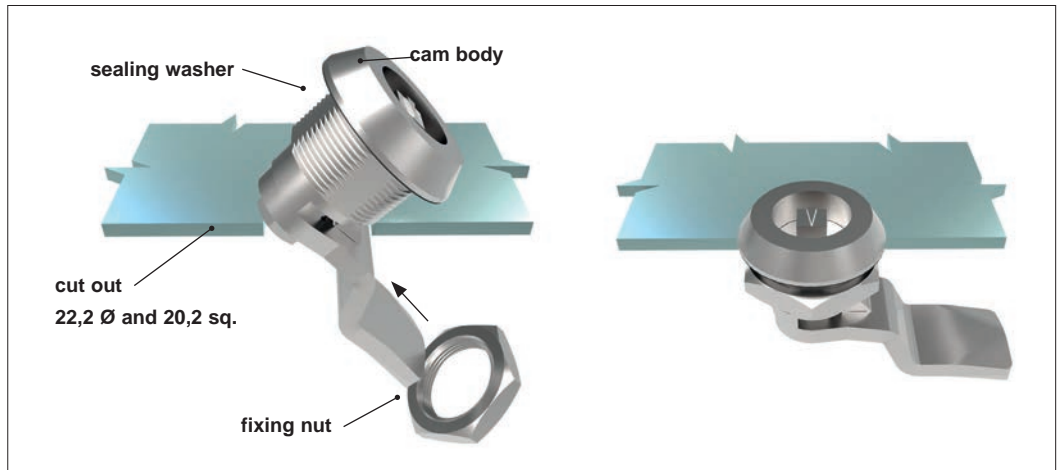
Flexi-system cut out

Our flexi-system is based on a standard installation cut out 22,2 Ø and 20,2 sq.



CAM LATCHES

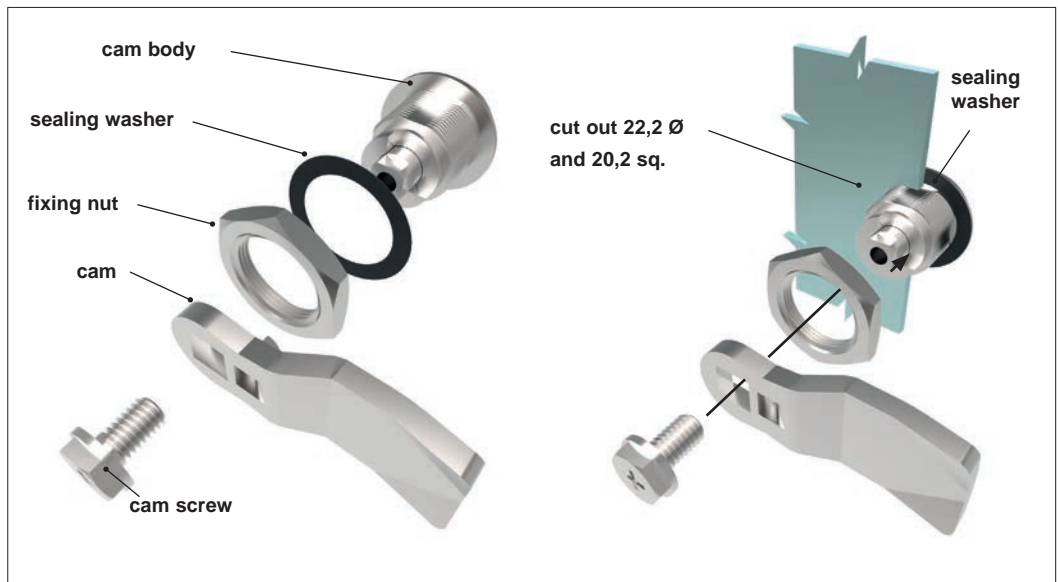
Option 1: Installation when fully assembled



When the cam latch grip (h) is 9mm or more this method is possible:-

1. With the cam body and cam fully assembled, attach the sealing washer to cam body.
2. Tilt the latch 45° and pass it, cam first, through the installation cut out in the panel.
3. When in place attach the fixing nut to the cam body to secure. Tighten to 10 Nm max.

Option 2: Installation unassembled



When the cam latch grip (h) is less than 9mm this method is suitable:-

1. Prior to commencing ensure that the cam body, cam, cam screw, fixing nut and sealing washer are completely unassembled.
2. Attach the sealing washer to the cam body and pass through installation cut out in panel.
3. Attach the fixing nut to the cam body to secure. Tighten to 10 Nm max.
4. Attach the cam to the cam body. Once you have ensured that the cam has the correct orientation toward the panel frame, secure the cam screw and tighten to 4 Nm.

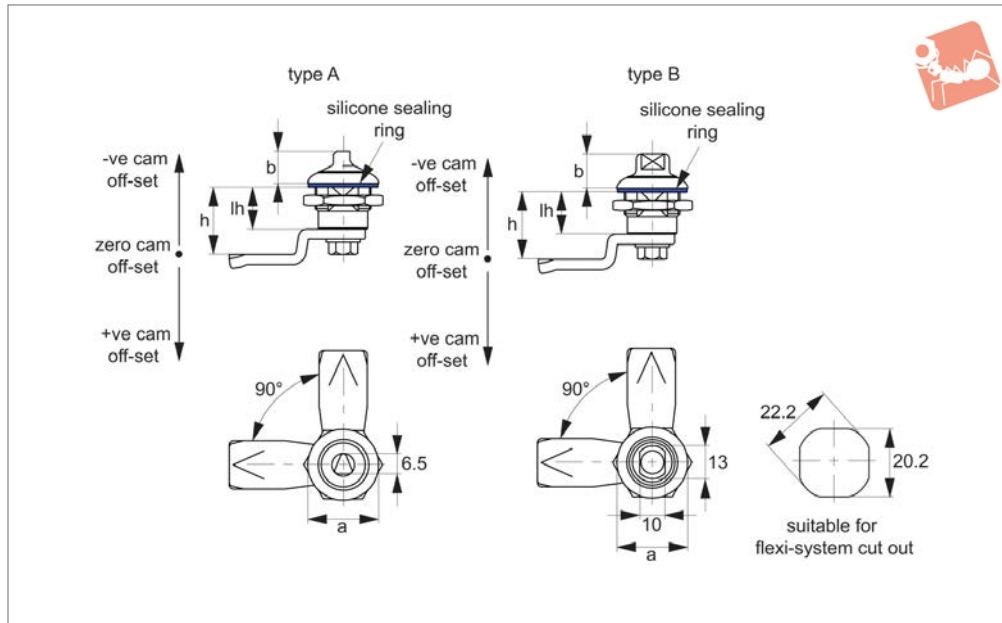


Cam Latches - 3A Standard

hygienic line, stainless steel



Cam Latches



A1104

CAM LATCHES

Material

Body: Stainless steel AISI304
 Handle: Stainless steel AISI304
 Blue gasket: silicone
 Gaskets provide IP69K rating.

Supplied with: Nut and screw: Stainless steel AISI304

Not Supplied: CAM nor KEY - order separately.

Technical Notes

Order cam and key separately.
 Cams: see suitable cam A0203 (steel) and

A0210 (Stainless Steel)

A0224 and A0240.

Select „without projection“ cam type.

Dimensions ch and cl relate to cam.

Use formula to calculate ch (required cam off-set), and refer to cam selection chart;
 $ch = h - lh$ where;

ch = required cam off-set/height.

H = grip length (distance between inside of latch face and front of cam).

lh = body length of cam latch/lock to be used (see product table below).

Keys: see A0104.

Tips

Made to the high „3A“ standard.

This ensures it meets the high standards required for use in food, beverage, pharmaceutical and medical applications.

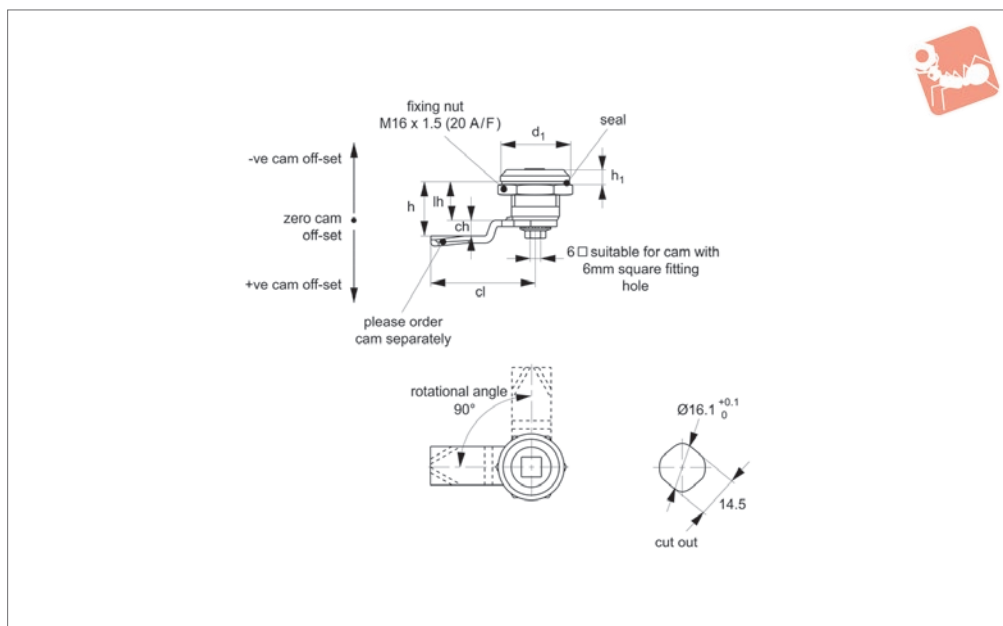
Hygienically designed for effective and easy cleaning, corrosion resistant, non-toxic.

Design precludes contamination by dirt, food particles and organic matter.

Order No.	Insert driver	a	b	lh
A1104.AW0010	triangle 7	28	13	18
A1104.AW0110	Stadium	28	13	18



A1261



Material

Type one: Body & insert: die cast zinc, chrome plated or black powder coated.

Supplied with: Keys: two per lock.

Not supplied: CAM - order separately.

Technical Notes

Order cam and key separately.

Cams: see suitable cam A0261. Select

„with projection“ cam type to prevent cam

rotating over 45°.

Dimensions ch and cl relate to cam. Use formula to calculate ch (required cam off-set), and refer to cam selection chart;

ch = h - lh where;

ch = required cam off-set/height.

h = grip length (distance between inside of latch face and front of cam).

lh = body length of cam latch/lock to be

used (see product table below).

Keys: see A0102.

Tips

Mini cam latches for any application; securing doors, cabinets etc. Quarter-turn opening or closing.

Important Notes

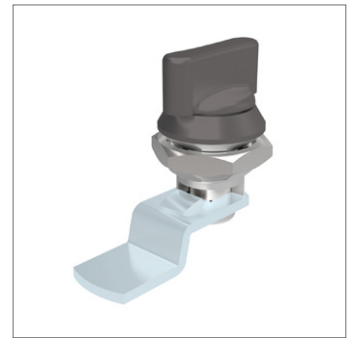
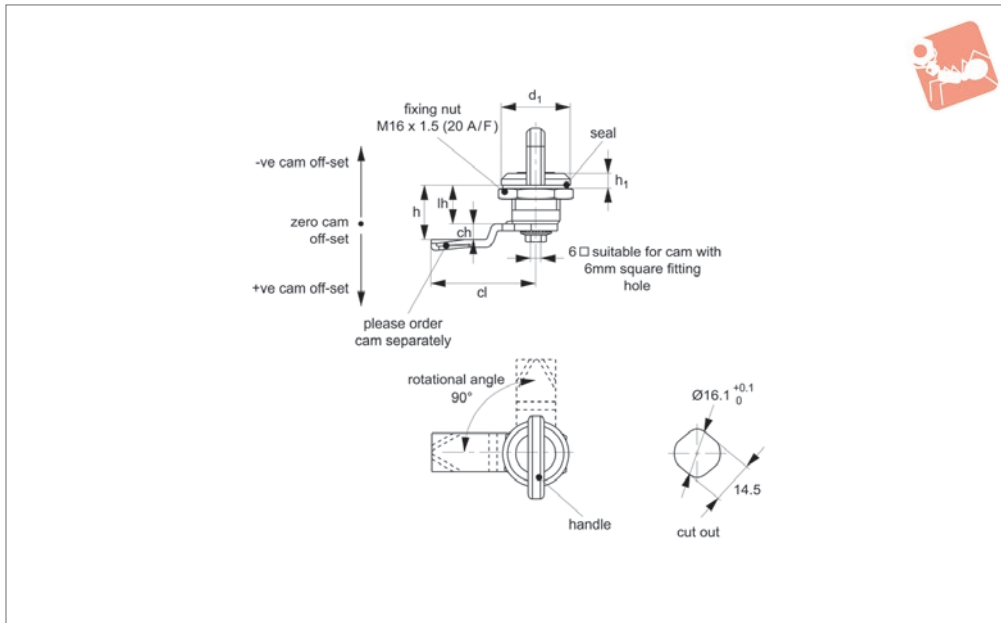
Sold subject to pack quantity.

Order No.	Insert driver	Finish	d ₁	h ₁	lh
A1261.AW0006	Square 6	Chrome	20	4	12.5
A1261.AW0078	Slot (2x4)	Chrome	20	4	12.5
A1261.AW0306	Square 6	Black Coated	20	4	12.5
A1261.AW0378	Slot (2x4)	Black Coated	20	4	12.5



Mini Cam Latches

wing handle - fixed grip - zinc



A1281

CAM LATCHES

Material

Body & insert: die cast zinc, chrome plated or black powder coated.

Handle: black plastic, PA6.

Not supplied: CAM - order separately.

Technical Notes

Order cam separately.

Cams: see suitable cam A0261. Select „with projection“ cam type to prevent cam

rotating over 45°.

Dimensions ch and cl relate to cam. Use formula to calculate ch (required cam off-set), and refer to cam selection chart;

ch = h - lh where;

ch = required cam off-set/height.

h = grip length (distance between inside of latch face and front of cam).

lh = body length of cam latch/lock to be

used (see product table below).

Tips

Wing knob actuates lock, and also acts as knob/handle.

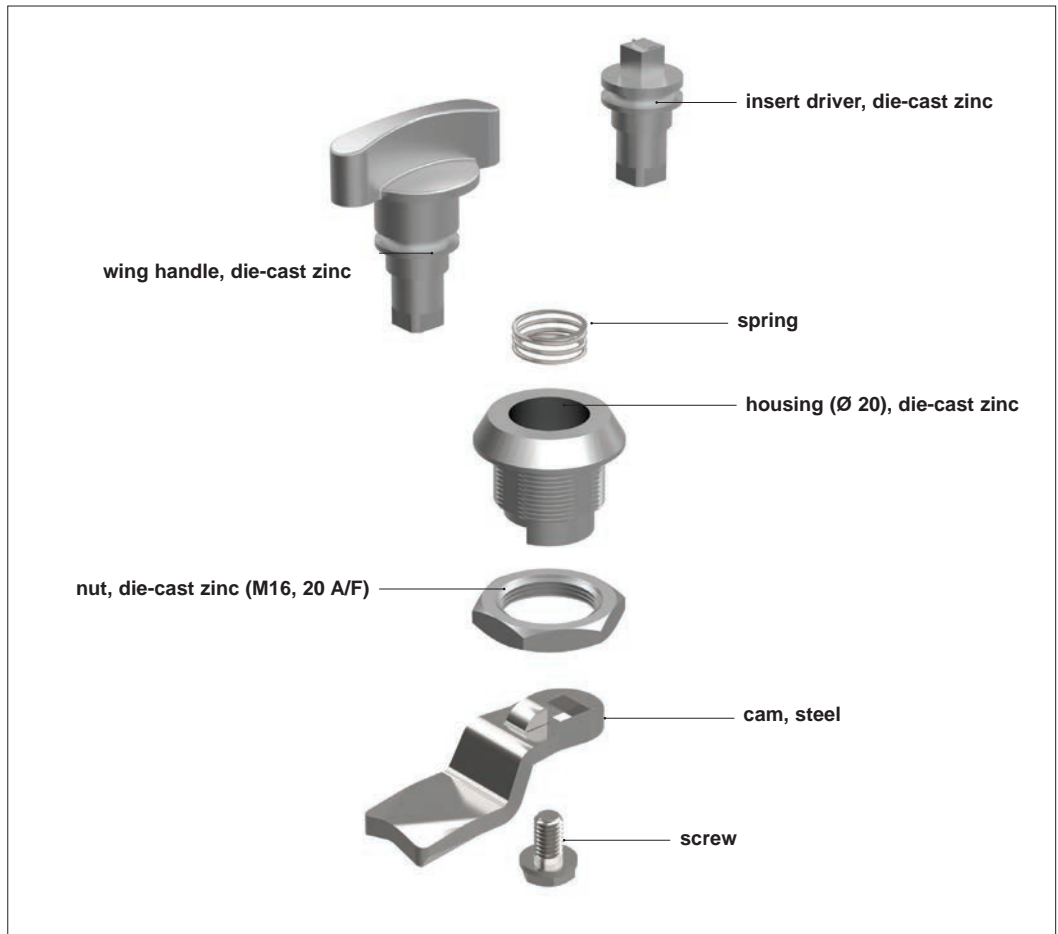
Important Notes

Sold subject to pack quantity.

Order No.	Handle	Body	d ₁	h ₁	lh
A1281.AW0110	Black Plastic	Chrome Plated	20	4	12.5
A1281.AW0120	Black Plastic	Black Powder	20	4	12.5



Die-cast zinc:
A1261, A1281



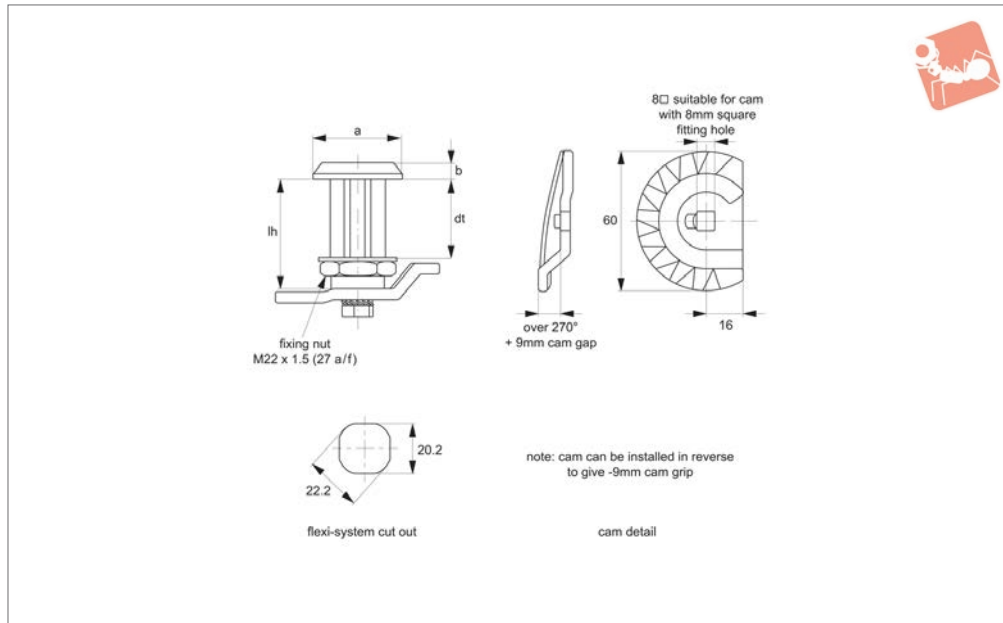


Cam Latches - Flexi-System

insert driver - stepped cam - extended body - zinc



Cam Latches



A1241

CAM LATCHES

Material

Body: die cast zinc, chrome plated. Insert fitted with O'ring to achieve IP54 rating.

Supplied with: Nut: steel, zinc plated.

Sealing washer: PU & rubber.

Stepped cam: die cast zinc, 9mm step over 270° rotation, 60mm dia.

Not supplied: KEY - order separately.

Technical Notes

Order keys separately. Suitable keys - A0102.

Tips

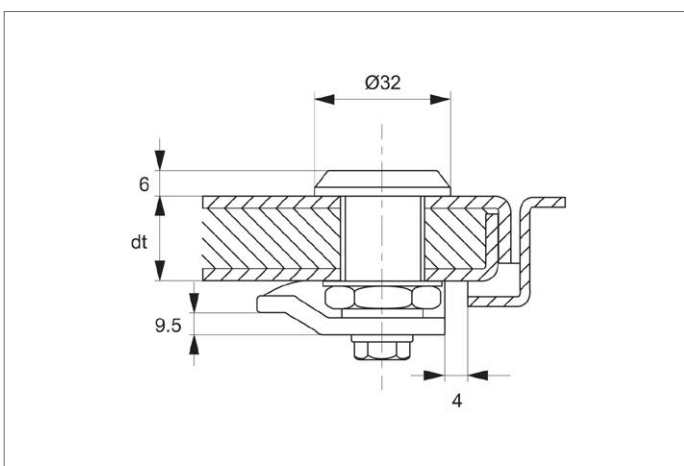
Stepped cam ideal for air conditioning

units, sound proof or isolation doors. Very tight closure of door possible, due to stepped cam over a 270° rotation.

Important Notes

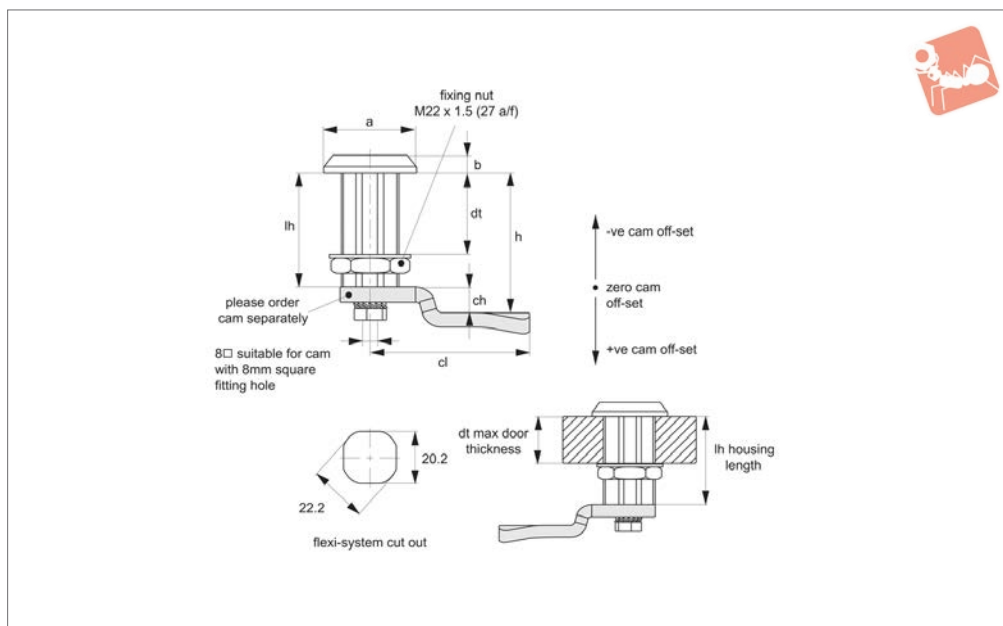
Sold subject to pack quantity.

Order No.	Insert driver	lh	dt door thickness max.	a	b
A1241.AW0311	Square 7	40	30	32	6
A1241.AW0411	Square 7	50	40	32	6





A1251



Material

Body & insert: die cast zinc, chrome plated.
Insert fitted with O'ring to achieve IP54 rating.

Supplied With: Nut: steel, zinc plated.

Sealing washer: PU & Rubber.

Not supplied: CAM nor KEY - order separately.

Technical Notes

Order cam and key separately.

Cams: see suitable cam A0203, A0224 and A0240. Select „without projection“ cam

type.

Dimensions ch and cl relate to cam. Use formula to calculate ch (required cam off-set), and refer to cam selection chart;

ch = h - lh where;

ch = required cam off-set/height.

h = grip length (distance between inside of latch face and front of cam).

lh = body length of cam latch/lock to be used (see product table below).

Keys: see A0102.

Rods & Guides: to achieve 3-point latching

- A0303, A0321, A0325.

Tips

Ideal for air conditioning units, sound-proof or isolation doors, as well as wooden panels. Insert quarter-turn opening or closing.

Slotted insert driver does not require a key. Simply use a flat head screwdriver to actuate.

Important Notes

Sold subject to pack quantity.

Order No.	Insert driver	lh	dt	a	b
A1251.AW0011	Square 7	28	20	28	4
A1251.AW0021	Square 8	28	20	28	4
A1251.AW0041	Triangle 7	28	20	28	4
A1251.AW0051	Triangle 8	28	20	28	4
A1251.AW0061	3mm Double Bit	28	20	28	4
A1251.AW0071	4mm Double Bit	28	20	28	4
A1251.AW0081	Slotted (2x4)	28	20	28	4
A1251.AW0311	Square 7	36	30	28	4
A1251.AW0321	Square 8	36	30	28	4
A1251.AW0341	Triangle 7	36	30	28	4
A1251.AW0351	Triangle 8	36	30	28	4
A1251.AW0361	3mm Double Bit	36	30	28	4
A1251.AW0371	4mm Double Bit	36	30	28	4
A1251.AW0381	Slotted (2x4)	36	30	28	4
A1251.AW0511	Square 7	62	50	28	4
A1251.AW0521	Square 8	62	50	28	4
A1251.AW0551	Triangle 8	62	50	28	4
A1251.AW0561	3mm Double Bit	62	50	28	4
A1251.AW0571	4mm Double Bit	62	50	28	4
A1251.AW0581	Slotted (2x4)	62	50	28	4

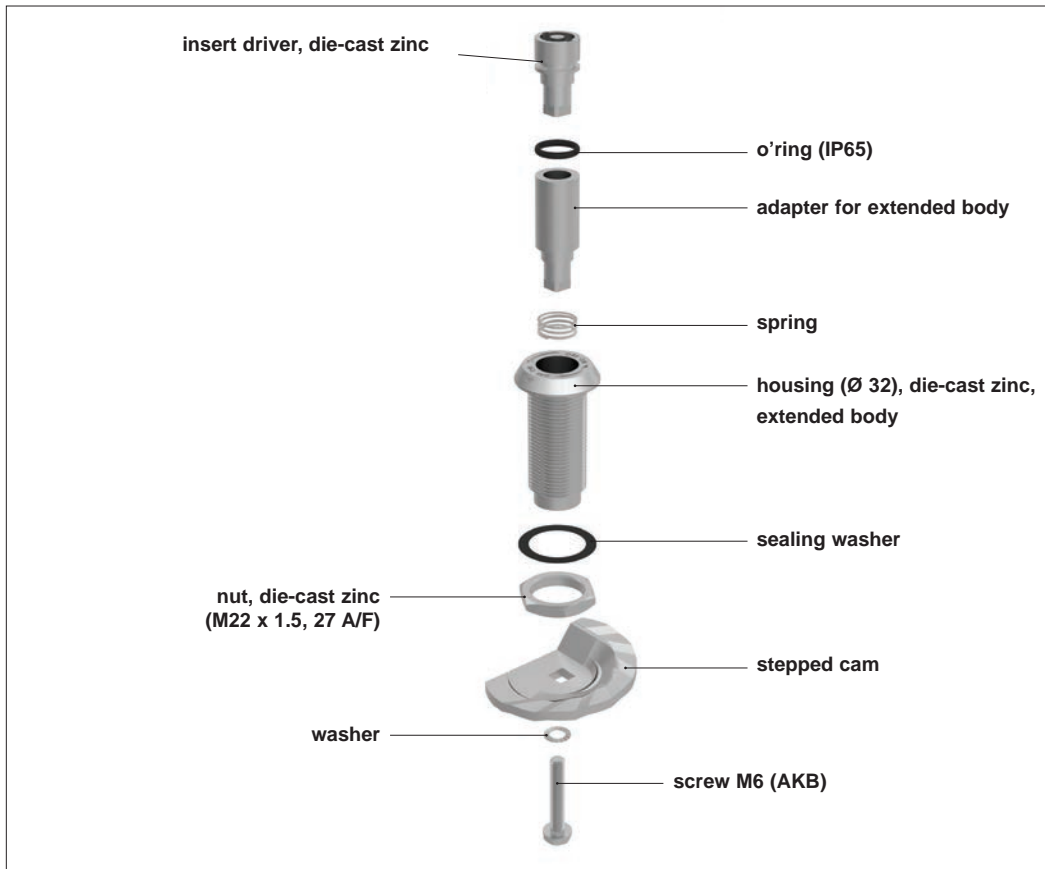


Wixroyd Extended Body Cam Latch

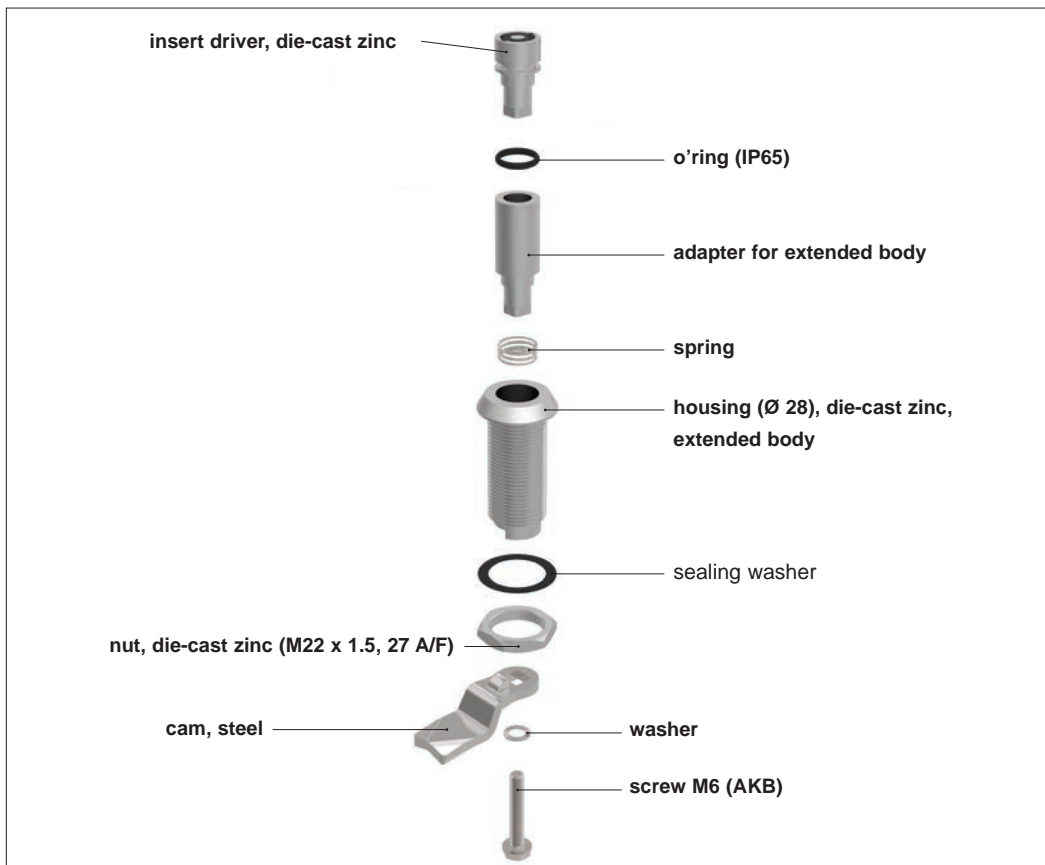
exploded view and assembly

Cam Latches and Locks

Stepped cam: A1241

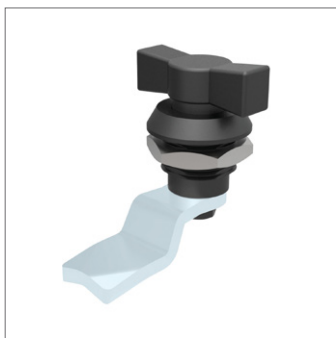


Extended body cam latch: A1251

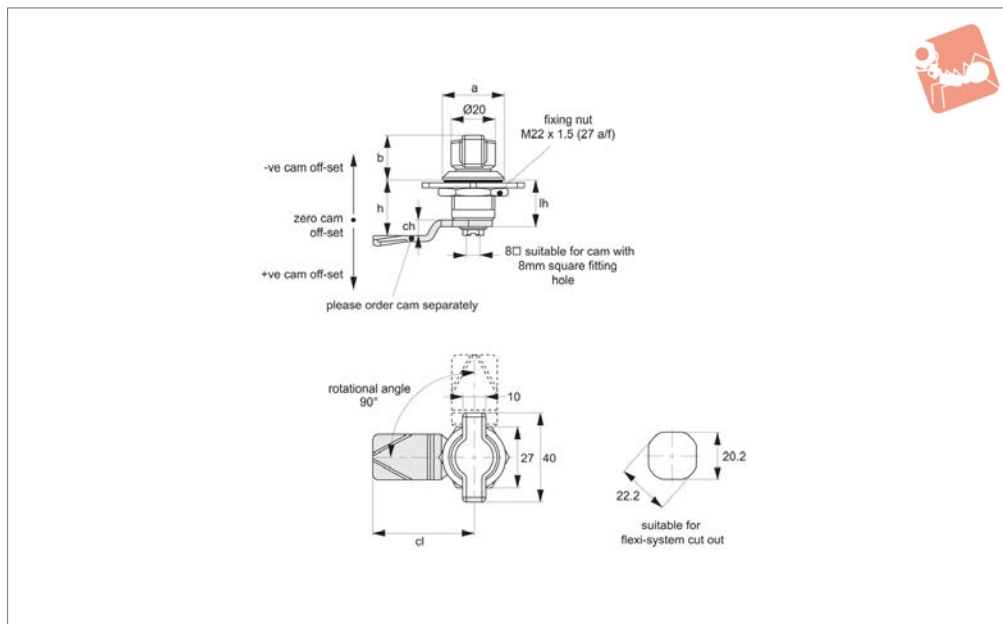


CAM LATCHES

ov-WA1241-A-T-WA1251-A-TCC0460-extended-body-cam-latch-exploded-view-assembly-rmh- Updated -27-10-2022



A1181



Material

Body: die cast zinc.

Handle: black plastic (PA6).

Not supplied: CAM - order separately.

Technical Notes

Order cam separately.

Cams: see suitable cam A0203, A0224 and A0240. Select „without projection“ cam type.

Dimensions ch and cl relate to cam. Use formula to calculate ch (required cam off-set), and refer to cam selection chart;

ch = h - lh where;

ch = required cam off-set/height.

h = grip length (distance between inside of latch face and front of cam).

lh = body length of cam latch/lock to be used (see product table below).

Rods & Guides: to achieve 3-point latching - A0303, A0321, A0325.

Tips

Wing actuates lock, and also acts as a knob/handle. Quarter-turn opening or closing.

Important Notes

Sold subject to pack quantity.

Order No.	Body finish	Handle	a	b	lh
A1181.AW0110	Chrome Plated	Black Plastic	28	20	18
A1181.AW0210	Black Coated	Black Plastic	28	20	18
A1181.AW0510	Black Plastic	Black Plastic	28	20	18

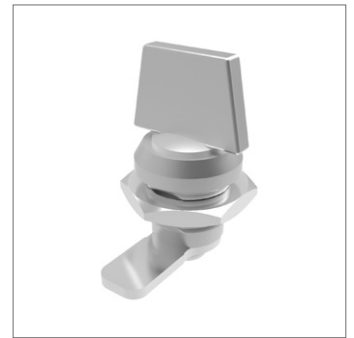
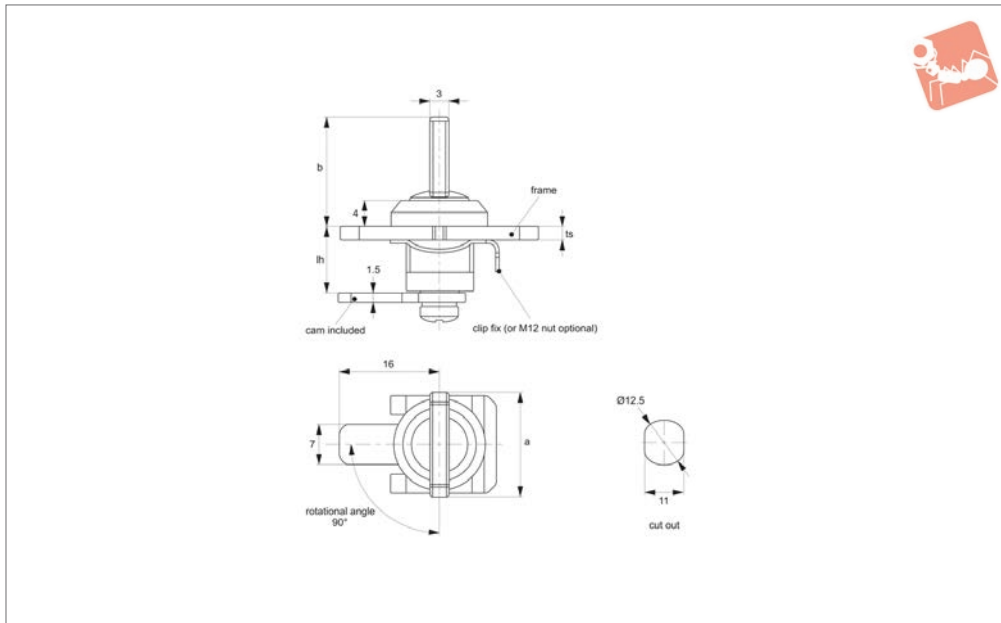


Mini Cam Latches - Wing Handle

fixed grip - zinc



Cam Latches



A1192

CAM LATCHES

Material

Body & Handle: die cast zinc, bright chrome plated.

Supplied with: Cam.

Technical Notes

Suitable for max. panel thickness 1-2mm.

Can be fixed to panel either via spring clip fix, or M12 nut.

Tips

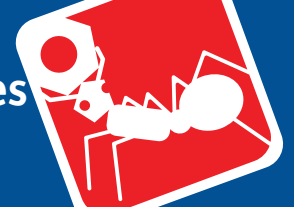
Quarter-turn opening or closing.
Wing actuates lock and also acts as knob/handle.

Order No.	Type	a	b	lh	ts
A1192.AW0175	Clip Fixing	17.5	16.5	10	1-2mm
A1192.AW1175	Nut Fixing	17.5	16.5	10	1-2mm

Cam Latches and Locks




Wixroyd Cam and Compression Latches

product selection charts



CAM LATCHES

Miscellaneous Cut out	Actuation Method			Body length (mm)	Body			Finishes			Cam Type	
	Insert Driver	Cylinder Lock	Manual/Grip		Die-Cast Zinc	Polyamide Plastic	Stainless Steel	Chrome Plated	Black Coated	Natural	With Projection	W/O Projection
	✓			10	✓			✓				
A1192 - Mini Cam Latch - Wing Handle - Fixed Grip Cams: Supplied - Keys: N/A												
	✓			25		✓		✓			54	
A1506 - Panel Latches - Fixed Grip Cams: Supplied - Keys: A0102												
	✓			18	✓			✓				
A1520 - Cam Lock - Fixed Grip Cams: Supplied - Keys: A0102												
		✓			✓			✓				
A1546 - Panel Latch - Uncovered Cams: Supplied - Keys: N/A												
	✓			22,5	✓			✓				
A1561 - Panel Latch - with Cover Cams: Supplied - Keys: N/A												
	✓				✓			✓				
A1701 - Compression Latch - Lever Latch - Flush Trigger Cams: N/A - Keys: Supplied												
	✓			19	✓			✓				
A1707 - Compression Latch - Lever Latch - Raised Trigger Cams: Supplied - Keys: Supplied												
	✓				✓			✓				
A1751 - Compression Latch - Lever Latch Cams: N/A - Keys: Supplied												

Miscellaneous Cut out	Actuation Method			Body length (mm)	Body			Finishes			Cam Type	
	Insert Driver	Cylinder Lock	Manual/Grip		Die-Cast Zinc	Polyamide Plastic	Stainless Steel	Chrome Plated	Black Coated	Natural	With Projection	W/O Projection
	✓				✓			✓			✓	40
A4241 - Cam Latch - with Rod Control - Extended Cover Cams: A0203, A0224, A0240 - Keys: A0102												
		✓			✓			✓			✓	54
A4260 - Cam Lock - with Rod Control - Wing Handle - Extended Cover Cams: A0203, A0224, A0240 - Keys: A0102												
	✓			Various	✓			✓			✓	
A4221 - Cam Latch - with Rod Control - with Cover Cams: A0203, A0224 - Keys: A0102												

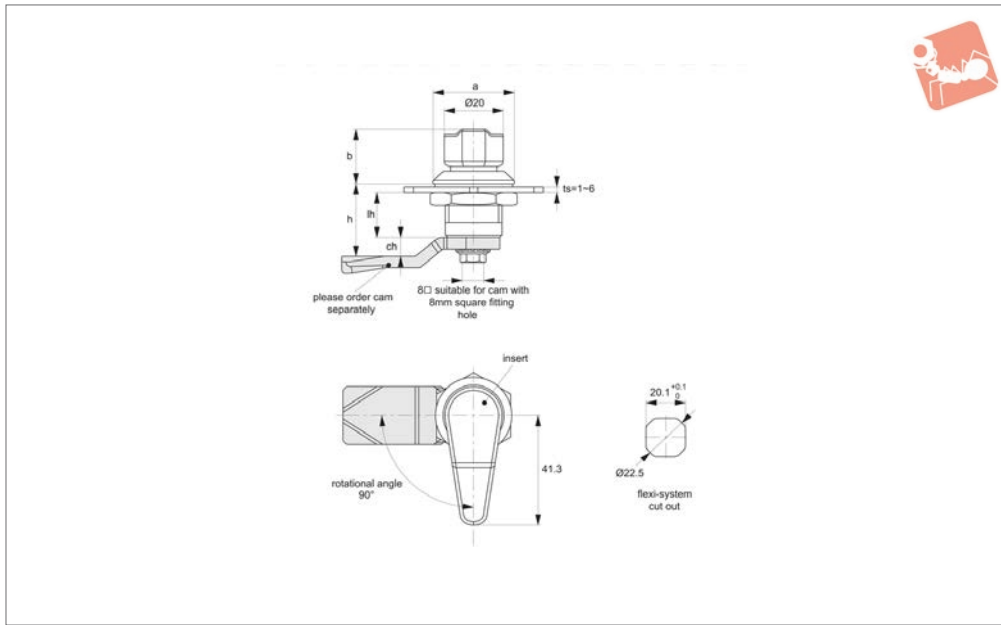


Cam Latches - Flexi-System

fixed grip - finger handle



Cam Latches



A1203

CAM LATCHES

Material

Type one: Body: die cast zinc, black powder coated.

Handle: polyamide, black.

Type two: Body & handle: polyamide, black.

Technical Notes

Order cam separately.

Cams: see suitable cam A0203, A0224 and A0240. Select „without projection“ cam

type.

Dimensions ch and cl relate to cam. Use formula to calculate ch (required cam off-set), and refer to cam selection chart;

ch = h - lh where;

ch = required cam off-set/height.

h = grip length (distance between inside of latch face and front of cam).

lh = body length of cam latch/lock to be used (see product table below).

Rods & Guides: to achieve 3-point latching - A0303, A0321, A0325.

Tips

Finger knob actuates lock, and also acts as a handle.

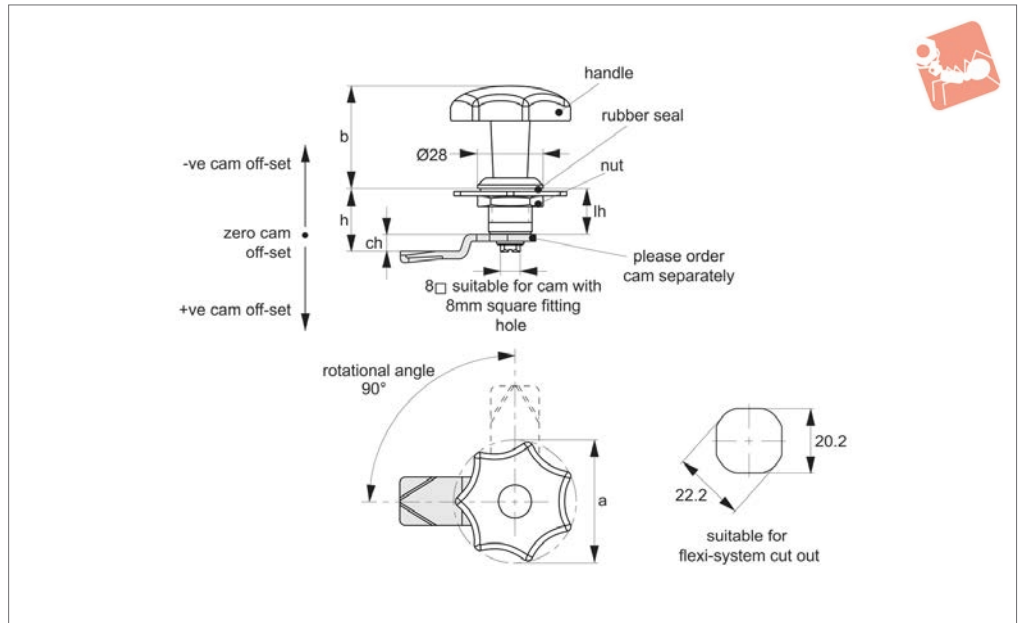
Important Notes

Sold subject to pack quantity.

Order No.	Type	a	b	lh
A1203.AW0318	One Zinc	28	18	18
A1203.AW0328	One Zinc	28	18	28
A1203.AW0362	One Zinc	28	18	62
A1203.AW0518	Two Polyamide	28	18	18
A1203.AW0536	Two Polyamide	28	18	36



A1205



Material

Body: black powder coated zinc or polyamide.
 Handle: polyamide, black.
 Fitted with sealing gasket to achieve IP54 rating.
 Sealing washer: rubber.
Not supplied: CAM nor KEY - order separately.

Technical Notes

Order cam and key separately.
Cams: see suitable cam A0203 (steel), A0210 (stainless). Select „without projection“ cam type.
 Dimensions ch and cl relate to cam. Use formula to calculate ch (required cam off-

set), and refer to cam selection chart;
 $ch = h - lh$ where;
ch = required cam off-set/height.
h = grip length (distance between inside of latch face and front of cam).
lh = body length of cam latch/lock to be used (see product table below).
 Suitable for panel thickness 1-6mm.

Order No.	Material	a	b	lh
A1205.AW0018	Zinc Body, PA Handle	27	18	18
A1205.AW0028	Zinc Body, PA Handle	27	28	18
A1205.AW0036	Zinc Body, PA Handle	27	36	18
A1205.AW0062	Zinc Body, PA Handle	27	62	18
A1205.AW1018	PA Body & Handle	27	18	18
A1205.AW1028	PA Body & Handle	27	28	18

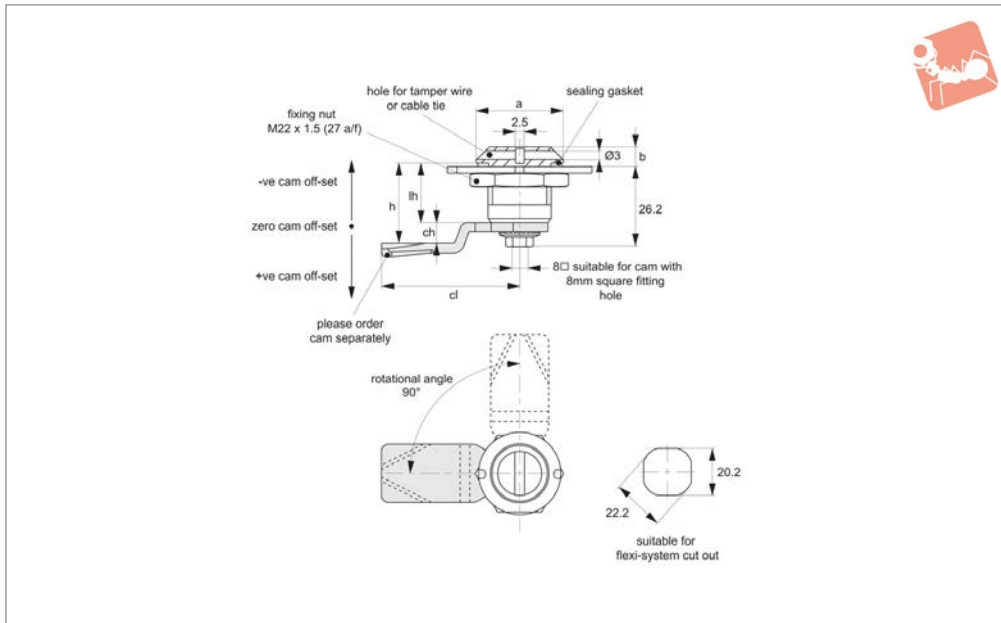


Cam Latches - Flexi-System

tamper evident - for wire or cable tie - zinc



Cam Latches



A1210

CAM LATCHES

Material

Body & Insert: die cast zinc, bright chrome plated.

Supplied With: Nut: steel.

Not supplied: CAM - order separately.

Technical Notes

Order cam and key separately.

Cams: see suitable cam A0203, A0224 and

A0240. Select „without projection“ cam type.

Dimensions ch and cl relate to cam. Use formula to calculate ch (required cam off-set), and refer to cam selection chart;

ch = h - lh where;

ch = required cam off-set/height.

h = grip length (distance between inside of

latch face and front of cam).

lh = body length of cam latch/lock to be used (see product table below).

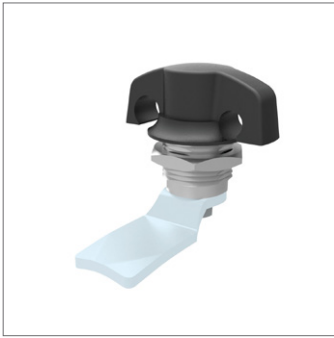
Keys: see A0102.

Rods & Guides: to achieve 3-point latching - A0303, A0321, A0325.

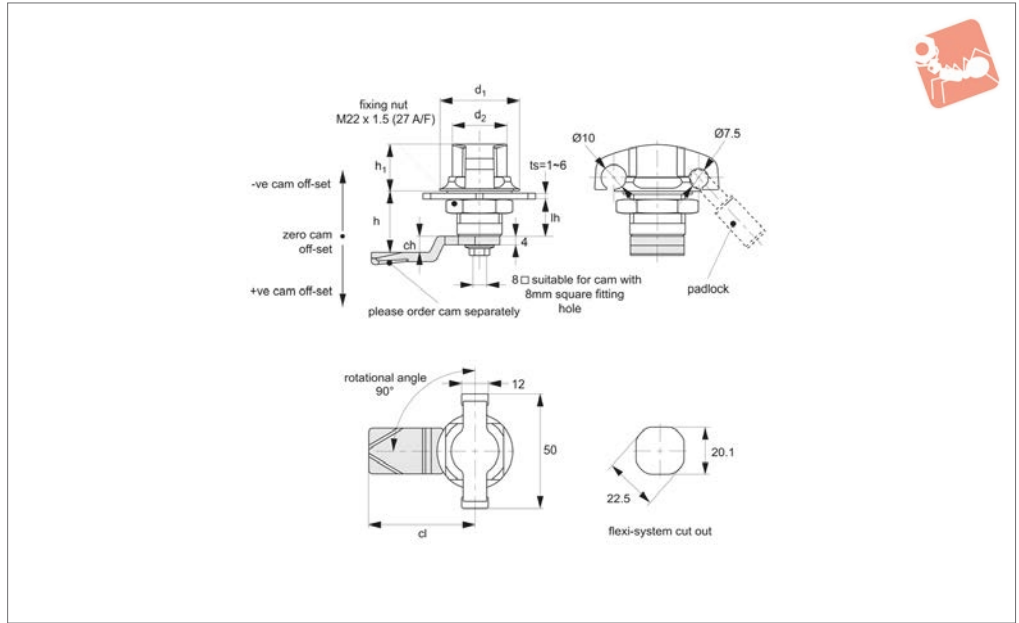
Tips

Quarter-turn opening or closing.

Order No.	a	b	lh
A1210.AW0028	28	6.5	20



A1161



Material

Body & Handle: die cast zinc, pocked black powder or chrome plated.

Not supplied: CAM - order separately.

Technical Notes

Order cam separately.

Cams: see suitable cam A0203, A0224 and A0240. Select „without projection“ cam type.

Dimensions ch and cl relate to cam. Use

formula to calculate ch (required cam off-set), and refer to cam selection chart;

$ch = h - lh$ where;

ch = required cam off-set/height.

h = grip length (distance between inside of latch face and front of cam).

lh = body length of cam latch/lock to be used (see product table below).

Rods & Guides: to achieve 3-point latching - A0303, A0321, A0325.

Tips

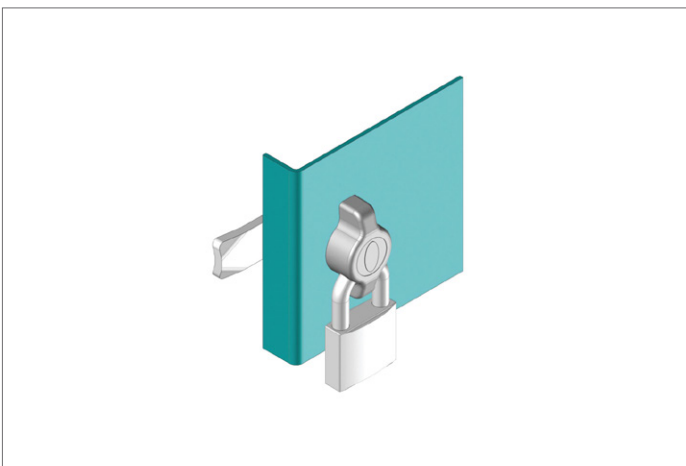
The wing knob can be locked by two sizes of padlock max. shackle dia. 7.5mm or 10mm. See technical diagram (padlock not supplied).

Panel thickness (ts) is 1 to 6mm max.

Important Notes

Sold subject to pack quantity.

Order No.	Type	d_1	h_1	d_2	lh	Finish
A1161.AW0310	Black Coated	33	19	21	18	black coated



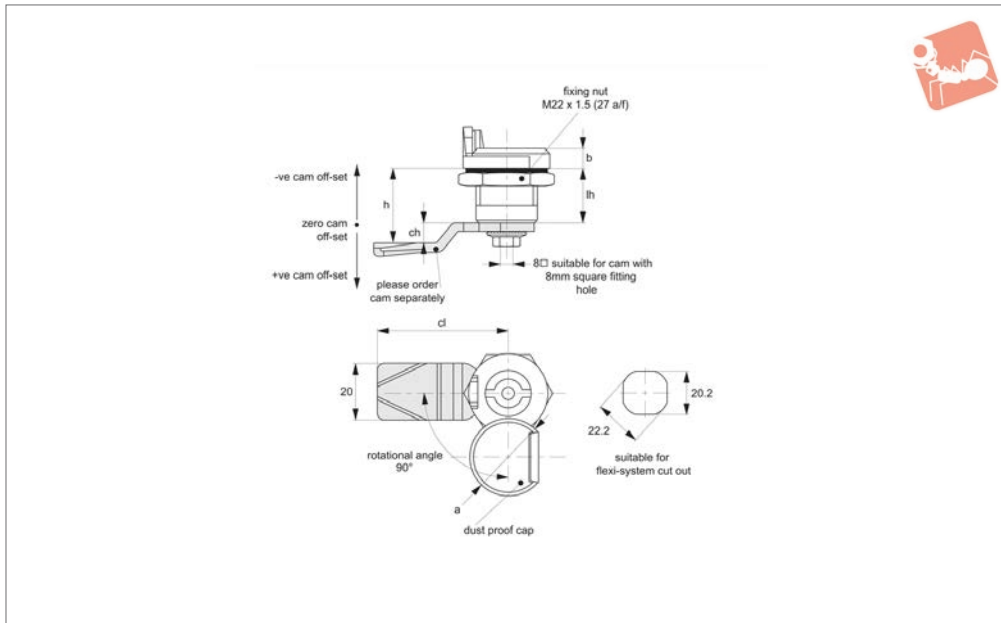


Cam Latches - Flexi-System

insert driver - fixed grip - zinc



Cam Latches



A1168

CAM LATCHES

Material

Body & Insert: die cast zinc, bright chrome plated. Insert fitted with O'ring to achieve IP54 rating.

Supplied with:

Cap: dust-proof.

Not supplied: CAM nor KEY - order separately.

Technical Notes

Order cam and key separately.

Cams: see suitable cam A0203, A0224 and A0240. Select „without projection“ cam type.

Dimensions ch and cl relate to cam. Use formula to calculate ch (required cam off-set), and refer to cam selection chart;

ch = h - lh where;

ch = required cam off-set/height.

h = grip length (distance between inside of latch face and front of cam).

lh = body length of cam latch/lock to be used (see product table below).

Keys: see A0102.

Rods & Guides: to achieve 3-point latching - A0303, A0321, A0325.

Tips

Quarter turn opening or closing.

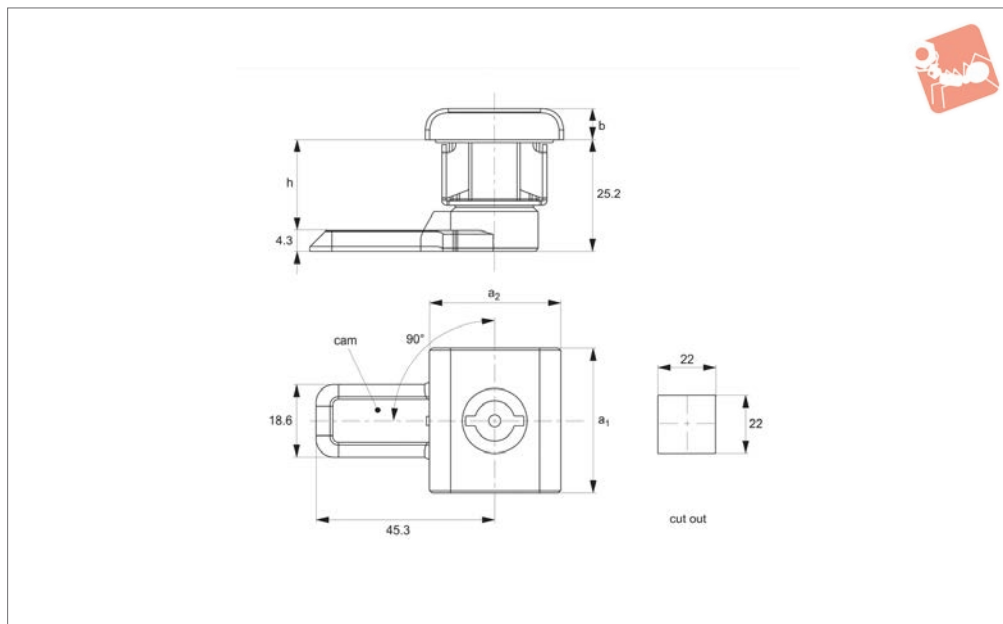
Order No.	Insert driver	a	b	lh
A1168.AW0007	Square 7	29	6.5	18
A1168.AW0008	Square 8	29	6.5	18
A1168.AW0017	Triangle 7	29	6.5	18
A1168.AW0018	Triangle 8	29	6.5	18
A1168.AW0103	3mm Double Bit	29	6.5	18
A1168.AW0104	4mm Double Bit	29	6.5	18
A1168.AW0124	Slotted (2x4)	29	6.5	18



CAM LATCHES



A1506



Material

Housing & insert: stainless steel, 304 mirror polished. Sealed to achieve IP54 rating.

Supplied with: Cam: die cast zinc. **Not supplied:** KEY - order separately.

Technical Notes

Order key separately. Suitable keys - A0102.
Fixed grip length (h)=20,9.

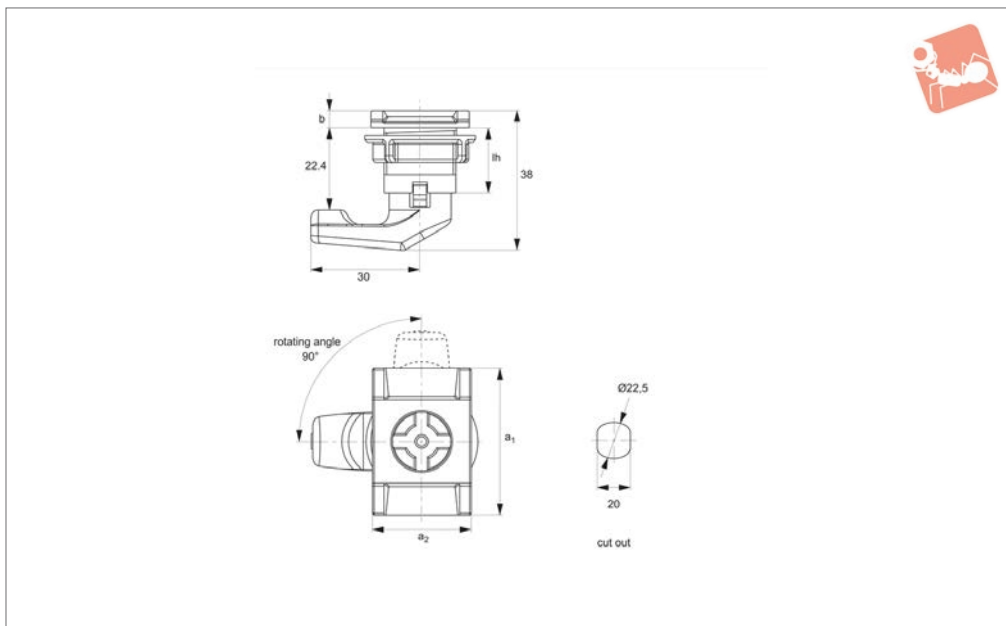
Order No.	Insert	a_1	a_2	b	h
A1506.AW0036	3mm Double Bit	36	32	7	20.9



Panel Latches - Plastic insert driver - low profile



Cam Latches



A1520

CAM LATCHES

Material

Housing, insert and nut: plastic.

Supplied with: CAM

Not supplied: KEY - order separately.

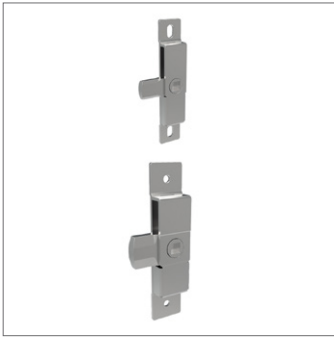
Technical Notes

Order key separately. Suitable key - A0102.

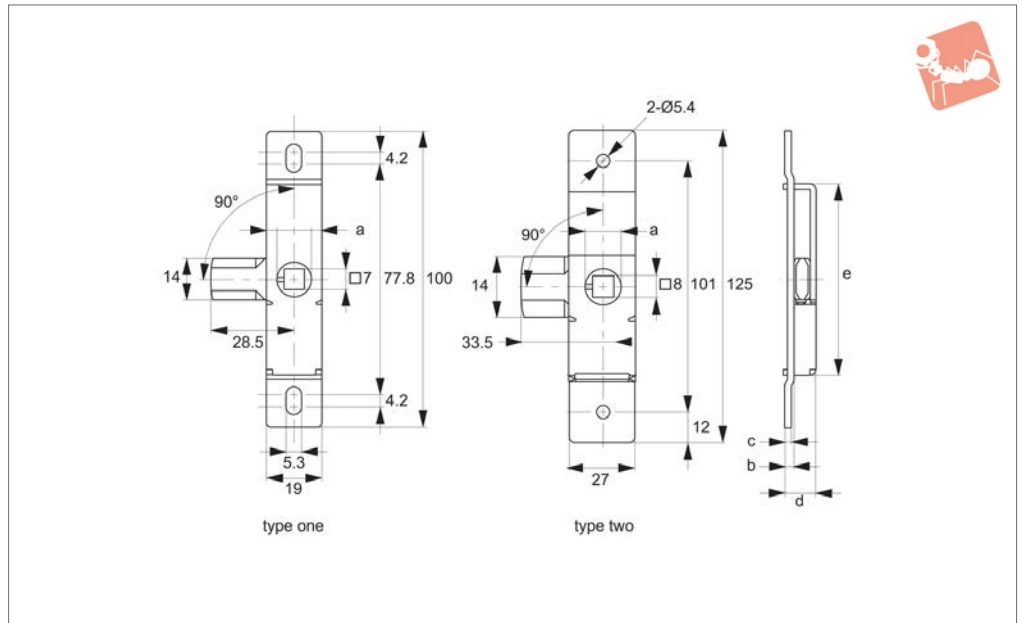
Order No.	Insert type	a ₁	a ₂	b	lh
A1520.AW0010	3mm Double Bit	39.5	26.5	4.6	18



CAM LATCHES



A1546



Material

Body & insert: Q235 steel, zinc plated.

Supplied with: Cam: stainless steel.

Technical Notes

Can be used with a square 7 or 8 square bar for handle/key opening.

Fix internally to panels or enclosures via rivets, or M 5 screws (not supplied).

Order No.	Insert type	Type	a	b	c	d	e
A1546.AW0012	Square 7	Type One	12	3.0	2.0	10.4	65.0
A1546.AW0015	Square 8	Type Two	15	3.5	2.5	15.1	76.2

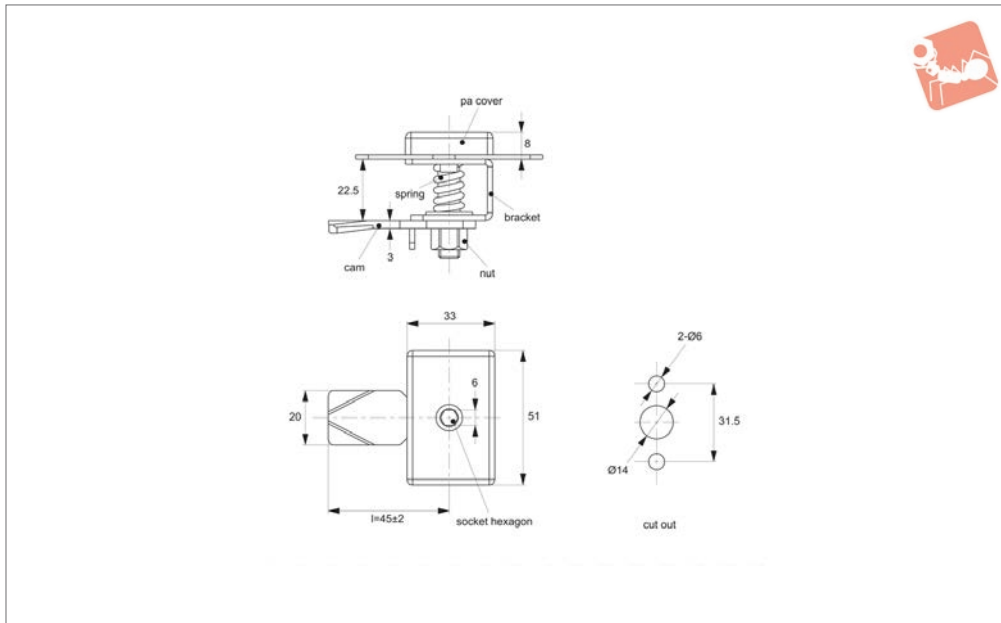


Panel Latches

plastic cover - hexagon driver



Cam Latches



A1561

CAM LATCHES

Material

Body & cam: steel, white zinc plated.
Cover: plastic, PA.

Supplied with: CAM: steel, white zinc plated.

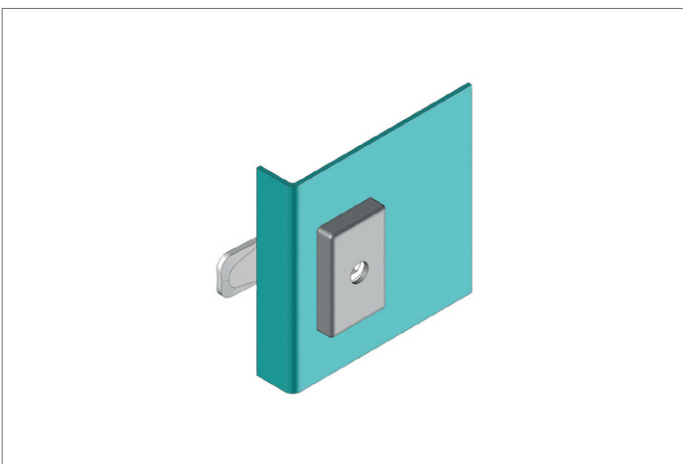
Not supplied: KEY. Use standard 6mm allen/hex key to actuate latch.

Technical Notes

For use on electrical panels and machinery

covers. Lock for use inside of panel gasket. Standard cam supplied achieves grip length of 22,5mm.

Order No.	Type	Grip length
A1561.AW0024	Right Hand Lock	22,5mm
A1561.AW0224	Left Hand Lock	22,5mm

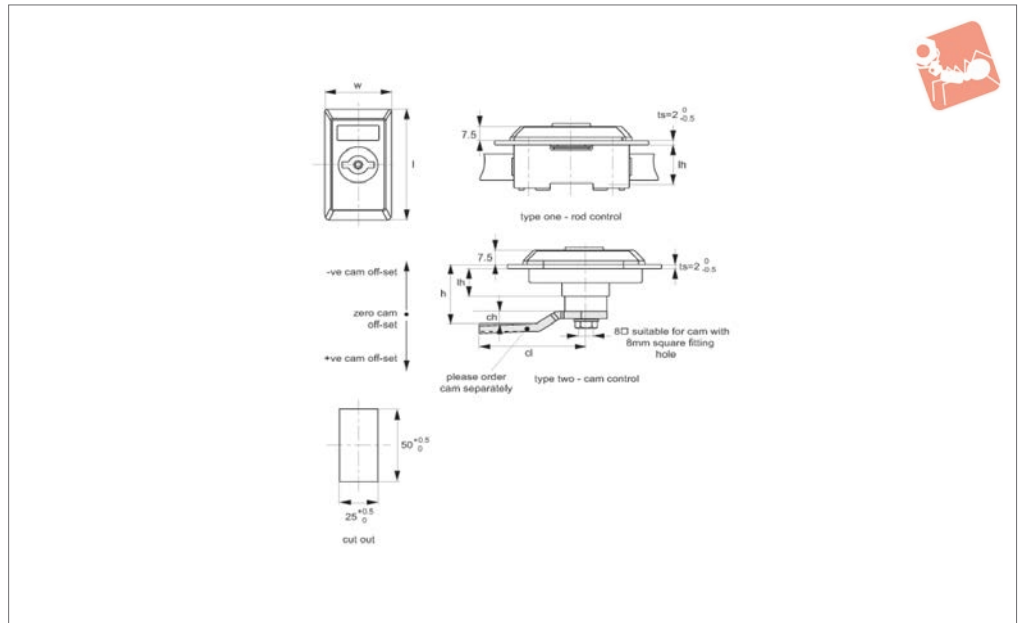




CAM LATCHES



A4221



Material

Panel: black PA.

Insert: die cast zinc, bright chrome-plated
Cam and rod: white zinc plated steel. **Type one:** rod control system.

Type two: cam control.

Not Supplied: CAM nor Key: order separately.

Technical Notes

Order cam and key separately.

Cams: see suitable cam A0203, A0224 and A0240. Select „without projection“ cam type.

Dimensions ch and cl relate to cam. Use formula to calculate ch (required cam off-set), and refer to cam selection chart;

ch = h - lh where;

ch = required cam off-set/height.

h = grip length (distance between inside of latch face and front of cam).

lh = body length of cam latch/lock to be used (see product table below).

Keys: see A0102.

Rods & Guides: to achieve 3-point latching - A0303, A0321, A0325.

Tips

Ideal for electrical cabinets & enclosures with max. panel thickness of 2mm.

Order No.	Insert driver	Type	l	w	lh	ts max.
A4221.AW0010	4mm Double Bit	Rod Control	57.5	30	23	2
A4221.AW0020	Triangle 8	Rod Control	57.5	30	23	2
A4221.AW0030	Square 7	Rod Control	57.5	30	23	2
A4221.AW0310	4mm Double Bit	Cam Control	57.5	30	16	2
A4221.AW0320	Triangle 8	Cam Control	57.5	30	16	2
A4221.AW0330	Square 7	Cam Control	57.5	30	16	2
A4221.AW0340	Square 8	Cam Control	57.5	30	16	2

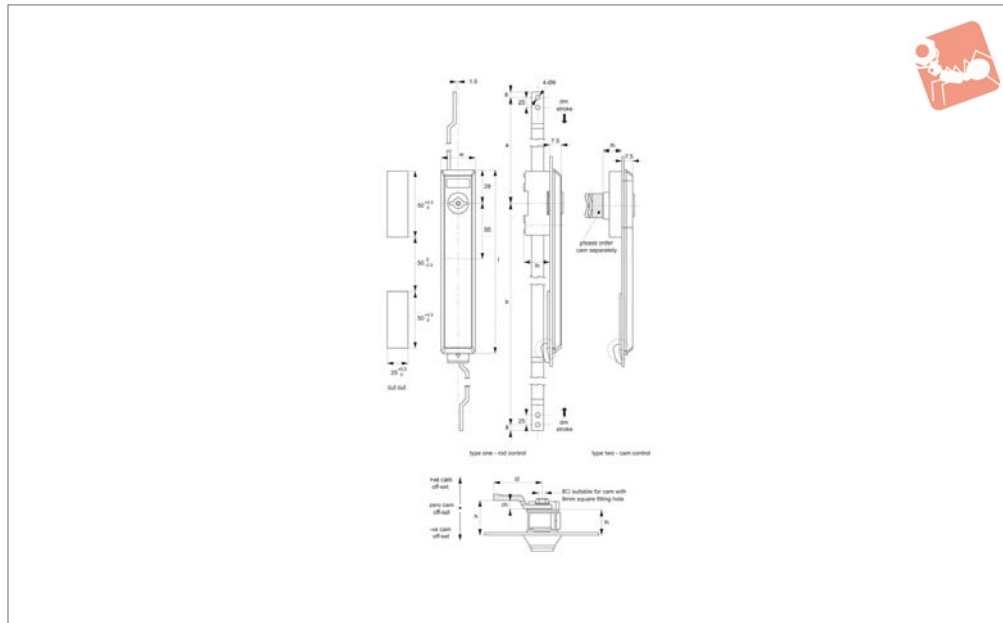


Cam Latches - with Rod Control

extended cover - fixed grip - 2 off 25 x 50 cut out



Cam Latches



A4241

CAM LATCHES

Material

Panel: black PA.

Cam and Rod: steel.

Insert: die cast zinc, chrome-plated

Type one: rod control system.

Type two: cam control.

Not Supplied: Cam nor Key: order separately.

Technical Notes

Order cam and key separately.

Cams: see suitable cam A0203, A0224 and A0240. Select „without projection“ cam type.

Dimensions ch and cl relate to cam. Use formula to calculate ch (required cam off-set), and refer to cam selection chart;

ch = h - lh where;

ch = required cam off-set/height.

h = grip length (distance between inside of latch face and front of cam).

lh = body length of cam latch/lock to be used (see product table below).

Keys: see A0102.

Rods & Guides: to achieve 3-point latching - A0303, A0321, A0325.

Tips

Insert quarter turn combines with rod latch system to open or close. Suitable for panel thicknesses of 2mm.

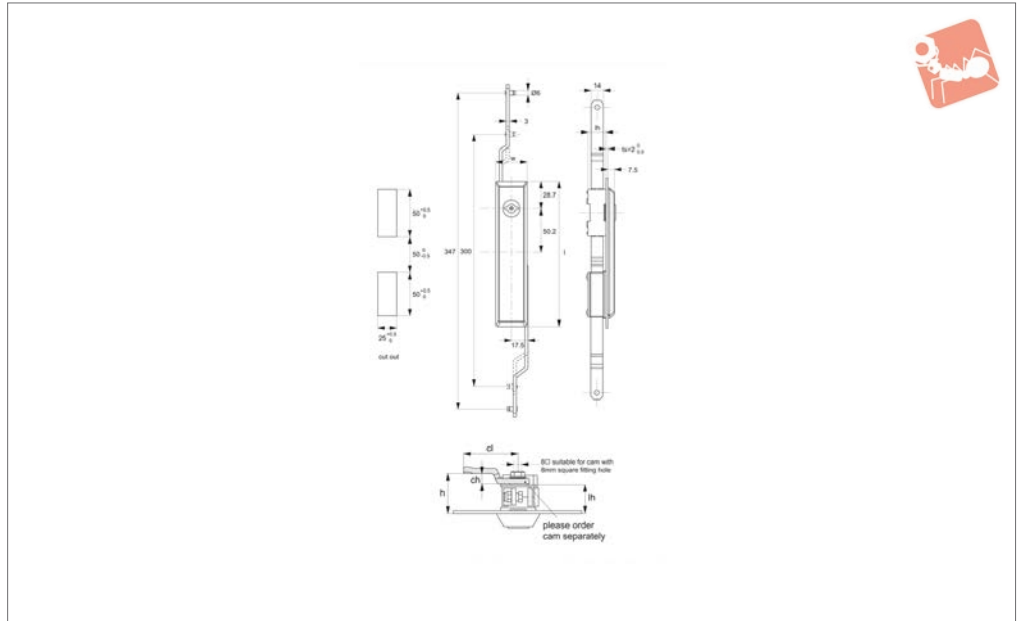
Order No.	Insert driver	Type	l	w	lh
A4241.AW0010	3mm Double Bit	Rod Control	157.5	30	23
A4241.AW0020	Triangle 8	Rod Control	157.5	30	23
A4241.AW0030	Square 7	Rod Control	157.5	30	23
A4241.AW0040	Square 8	Rod Control	157.5	30	23
A4241.AW0310	3mm Double Bit	Cam Control	157.5	30	16
A4241.AW0320	Triangle 8	Cam Control	157.5	30	16
A4241.AW0330	Square 7	Cam Control	157.5	30	16
A4241.AW0340	Square 8	Cam Control	157.5	30	16



CAM LATCHES



A4260



Material

Body: polyamide. Unique integral polyurethane gasket, to achieve IP54 rating.
Rod control mechanism: die cast zinc.
Driver Insert: die cast zinc, chrome plated.
Not supplied: Key: order separately.

Technical Notes

Order cam and key separately.

Cams: see suitable cam A0203, A0224 and A0240. Select „without projection“ cam type.

Dimensions ch and cl relate to cam. Use formula to calculate ch (required cam off-set), and refer to cam selection chart;
ch = h - lh where;
ch = required cam off-set/height.

h = grip length (distance between inside of latch face and front of cam).

lh = body length of cam latch/lock to be used (see product table below).

Keys: see A0102.

Rods & Guides: to achieve 3-point latching - A0303, A0321, A0325.

Order No.	Insert driver	l	w	lh
A4260.AW0010	3mm Double Bit	157.4	32.4	22

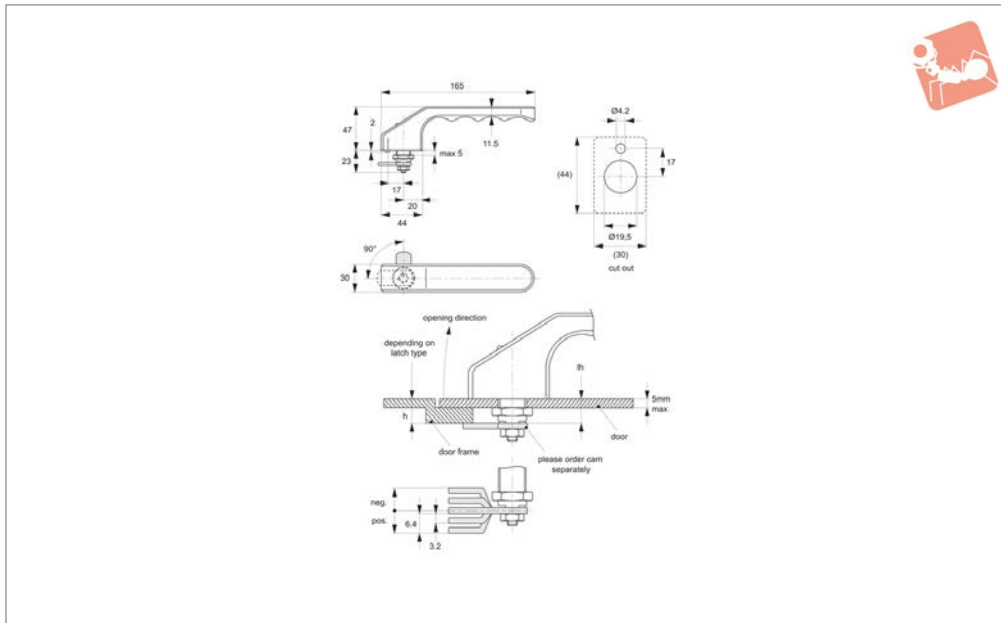


Cam Locks - Heavy Duty Handle

L-handle - fixed grip



Cam Latches



A4600

CAM LATCHES

Material

Body: aluminium, AIMgSi 0,5 vibration ground. Natural or black anodized.

Supplied with: Key.

Not supplied: CAM - order separately.

Technical Notes

Order cam separately.

Cams: see A0250. Dimensions ch & cl relate to cam. Use formula to calculate ch (required cam off-set), and refer to cam selection chart;

ch = h - lh where;

ch = required cam off-set/height.

h = grip length (distance between inside of

lock face and front of cam).

lh = body length of cam latch/lock to be used (see product table below).

Tips

Heavy duty quarter turn handle for machinery covers, panels etc.

Maximum panel thickness of 5mm.

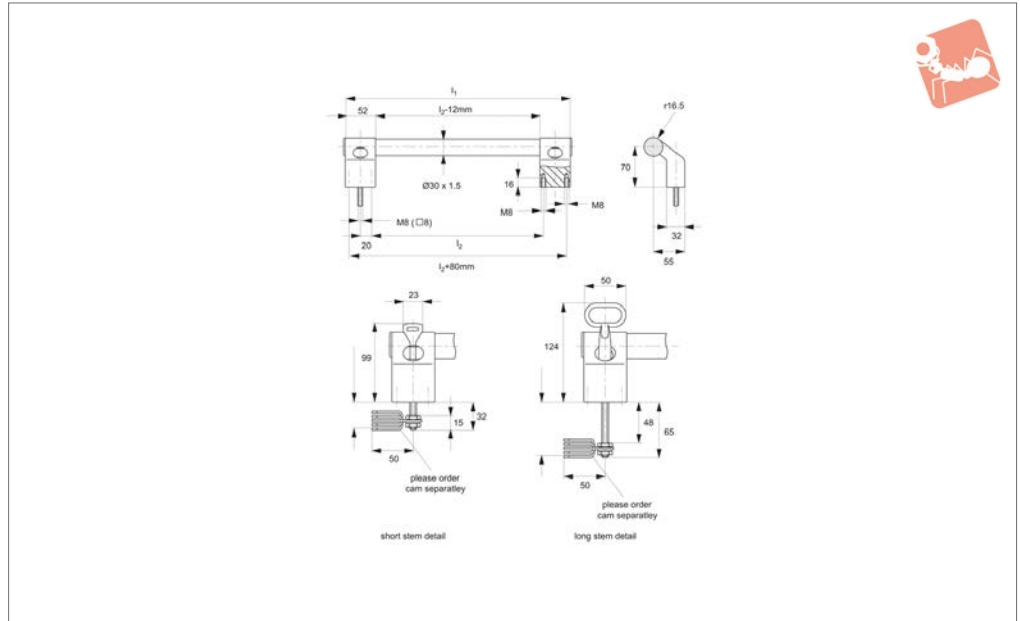
Order No.	Finish	Lock type	Key type	lh
A4600.AC0165	Natural	Cylindrical Pin	Keyed Alike	13.5
A4600.AC0665	Black Anodized	Cylindrical Pin	Keyed Alike	13.5



CAM LATCHES



A4620



Material

Handle shank: extruded aluminium, AIMgSi 0,5, black anodized.
 Handle tube: stainless steel 1.4301, tube Ø30x1,5mm. Precision ground.

Supplied with: Key.

Not supplied: CAM - order separately.

Technical Notes

Order cam separately.

Cams: see A0250. Dimensions ch & cl

relate to cam. Use formula to calculate ch (required cam off-set), and refer to cam selection chart;

ch = h - lh where;

ch = required cam off-set/height.

h = grip length (distance between inside of lock face and front of cam).

lh = body length of cam latch/lock to be used (see product table below).

Tips

Heavy duty pull handle with quarter turn fastener for machine guards, covers, panels etc.

A4620 has threaded stem of either 32mm (short stem) or 65mm (long stem) which can be cut to length to achieve h dimension (grip length) of your choice, to best suit your application.

Order No.	Lock type	Stem	l_1	l_2
A4620.AC0137	Square Insert	Short	392	300
A4620.AC0138	Safety Lock	Short	392	300
A4620.AC0147	Square Insert	Short	492	400
A4620.AC0148	Safety Lock	Short	492	400
A4620.AC0167	Square Insert	Short	692	600
A4620.AC0168	Safety Lock	Short	692	600
A4620.AC0237	Square Insert	Long	392	300
A4620.AC0238	Safety Lock	Long	392	300
A4620.AC0247	Square Insert	Long	492	400
A4620.AC0248	Safety Lock	Long	492	400
A4620.AC0267	Square Insert	Long	692	600
A4620.AC0268	Safety Lock	Long	692	600



Cam Locks - Heavy Duty Pull Handle

adjustable grip



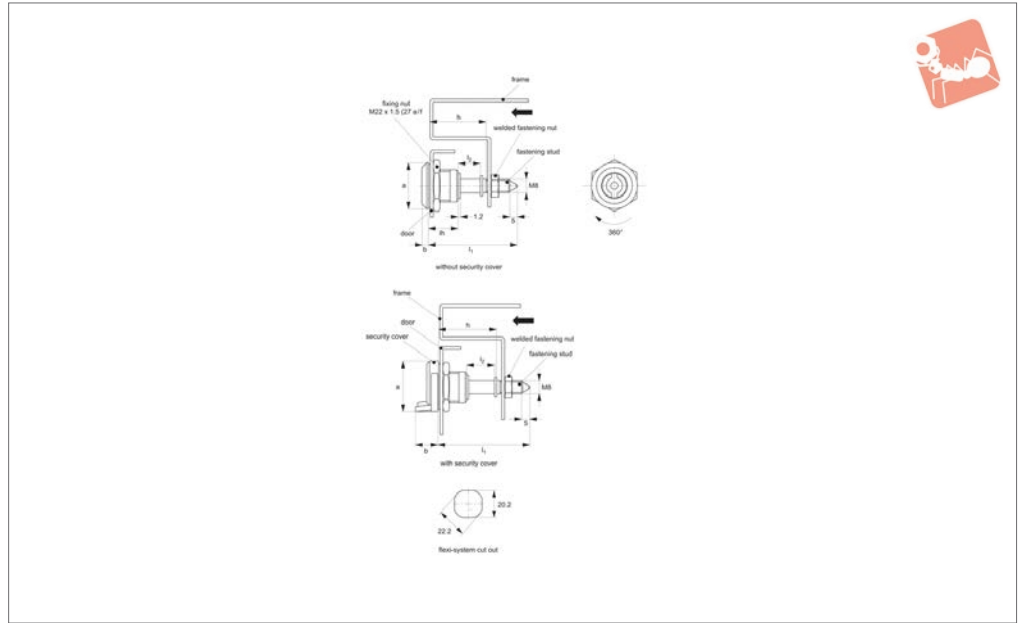
Cam Latches



CAM LATCHES



A1580



Material

Body: die cast zinc, bright chrome plated.
Insert: steel.

Not supplied: KEY - order separately.

Technical Notes

Order key separately.

Keys: see A0102.AW0060.

Insert driver compression latch enabling tight securing of enclosure door. Via welding a fastening nut (M 8) to the enclosure frame the fastening stud can be engaged and turned until the enclosure door is adequately tightened and secured (use triangle 7 key A0102.AW0060 to activate driver).

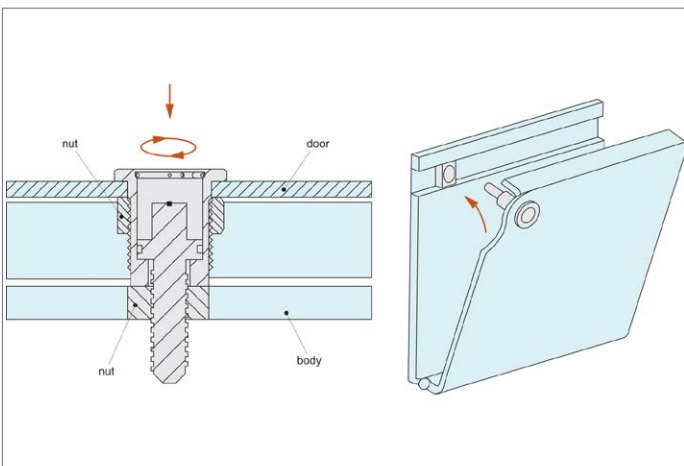
vate driver).

Tips

Security cover type can be secured with wire or cable tie for tamper evident security.

h = grip length.

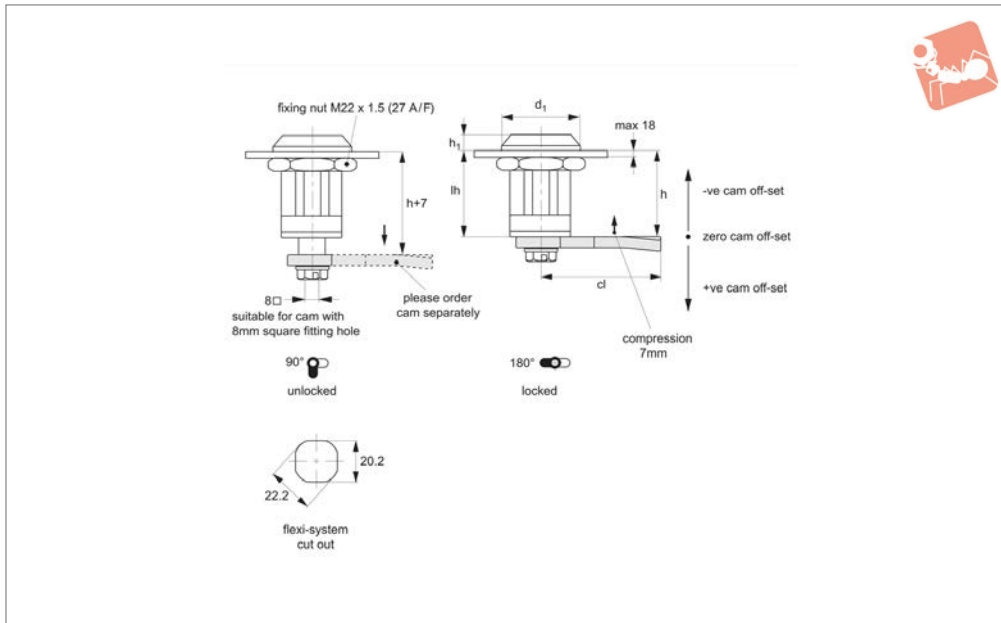
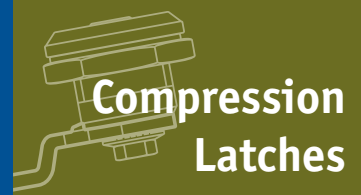
Order No.	Insert type	Lock type	a	b	lh	l ₁	l ₂	h
A1580.AW0023	Triangle 7	W/o Security Cover	28	4	18	40	2.5	23
A1580.AW0028	Triangle 7	W/o Security Cover	28	4	18	46	7.5	28
A1580.AW0034	Triangle 7	W/o Security Cover	28	4	18	54	13.5	34
A1580.AW0223	Triangle 7	With Security Cover	29	13	18	40	2.5	23
A1580.AW0228	Triangle 7	With Security Cover	29	13	18	46	7.5	28
A1580.AW0234	Triangle 7	With Security Cover	29	13	18	54	13.5	34





Compression Latches - Flexi-System

insert driver - fixed grip - zinc



A1601

COMPRESSION LATCHES

Material

Body & insert: die cast zinc, finished in chrome plate or black powder coating.
Insert fitted with O'ring to provide IP54 rating.

Handle: polyamide.

Not supplied: CAM nor KEY - order separately.

Technical Notes

Order cam and key separately.

Cams: see suitable cam A0203 and A0224.

Select „without projection“ cam type.

Dimensions ch and cl relate to cam. Use formula to calculate ch (required cam off-set), and refer to cam selection chart;

$ch = h - lh$ where;

ch = required cam off-set/height.

h = grip length (distance between inside of latch face and front of cam).

lh = body length of cam latch/lock to be used (see product table below).

Keys: see A0102.

Tips

Compression locks provide sealing of enclosures to reduce vibration and to provide noise isolation.

Action:

From unlocked position, first 90° turn moves the cam to the locking position. Turn lock 180° to engage compression, cam moves to final fixing position.

Provides a 7mm compression stroke.

Order No.	Finish	Insert driver	d_1	h_1	lh
A1601.AW0020	Chrome Plated	Square 8	28	5.5	31
A1601.AW0320	Black Coated	Square 8	28	5.5	31
A1601.AW0040	Chrome Plated	Triangle 7	28	5.5	31
A1601.AW0340	Black Coated	Triangle 7	28	5.5	31
A1601.AW0050	Chrome Plated	Triangle 8	28	5.5	31
A1601.AW0350	Black Coated	Triangle 8	28	5.5	31
A1601.AW0080	Chrome Plated	Slot (2x4)	28	5.5	31
A1601.AW0380	Black Coated	Slot (2x4)	28	5.5	31
A1601.AW0085	Chrome Plated	Hexagon 8	28	5.5	31
A1601.AW0385	Black Coated	Hexagon 8	28	5.5	31

Compression Latches

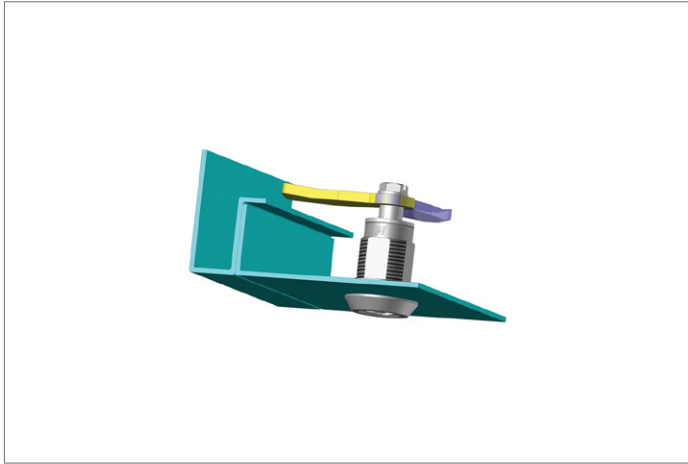


Compression Latches - Flexi-System

insert driver - fixed grip - zinc



COMPRESSION LATCHES



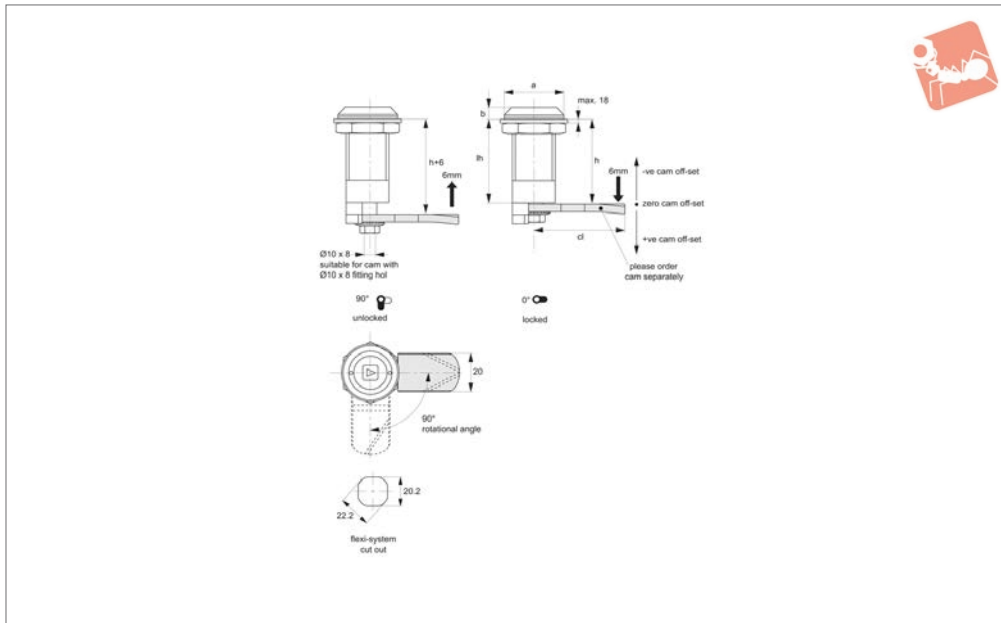


Compression Latches - Flexi-System

insert driver - fixed grip - stainless steel



Compression Latches



A1603

COMPRESSION LATCHES

Material

Body & insert: stainless steel, AISI 304.
 Insert fitted with O'ring to provide IP54 rating.
 Shaft: steel, white zinc plated.
Not supplied: KEY - order separately.

Technical Notes

Order cam and key separately.
Cams: see suitable cam A0231 and A0233.
 Select „without projection“ cam type.
 Dimensions ch and cl relate to cam. Use

formula to calculate ch (required cam off-set), and refer to cam selection chart;
 $ch = h - lh$ where;
ch = required cam off-set/height.
h = grip length (distance between inside of latch face and front of cam).
lh = body length of cam latch/lock to be used (see product table below).
Keys: see A0102.

Tips

Compression locks provide sealing of

enclosures to reduce vibration and to provide noise isolation.

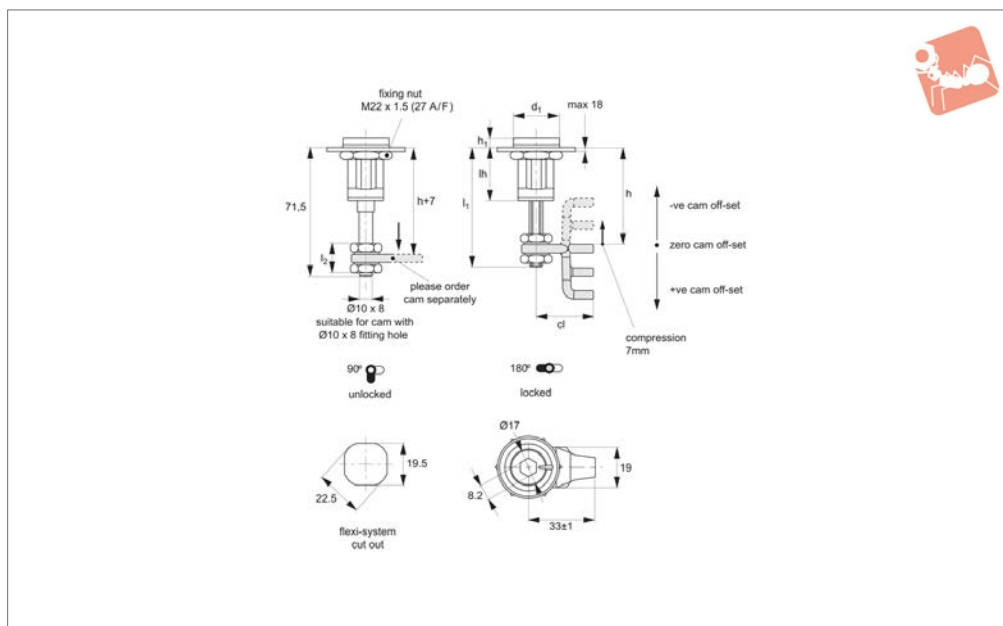
Action:

From unlocked position, first 90° turn moves the cam to the locking position. Turn lock 180° to engage compression, cam moves to final fixing position.
Provides a 6mm compression stroke.

Order No.	Insert driver	Type	a	b	lh
A1603.AW0020	Square 8	Fixed Grip	28	5	38
A1603.AW0050	Triangle 8	Fixed Grip	28	5	38



A1611



Material

Body & insert: die cast zinc, chrome plate or black coated finish. Insert fitted with O'ring to provide IP54 rating.

Handle: polyamide.

Not supplied: CAM nor KEY - order separately.

Technical Notes

Order cam and key separately.

Cams: see suitable cam A0231 and A0233.

Select „without projection“ cam type.

Dimensions ch and cl relate to cam. Use

formula to calculate ch (required cam off-set), and refer to cam selection chart;

ch = h - lh where;

ch = required cam off-set/height.

h = grip length (distance between inside of latch face and front of cam).

lh = body length of cam latch/lock to be used (see product table below).

Keys: see A0102.

Tips

Compression locks provide sealing of enclosures to reduce vibration and to

provide noise isolation. Adjustable grip type has an extended stem which can be cut in length to best suit your application.

Action:

From unlocked position, first 90° turn moves the cam to the locking position. Turn lock 180° to engage compression, cam moves to final fixing position.

Provides a 7mm compression stroke.

Important Notes

Cam: quarter turn to open or close. Locking function.

Order No.	Finish	Insert driver	d ₁	h ₁	lh	l ₁	l ₂ useful thread
A1611.AW0020	Chrome Plated	Square 8	28	4.5	32	64.5	15
A1611.AW0320	Black Coated	Square 8	28	4.5	32	64.5	15
A1611.AW0040	Chrome Plated	Triangle 7	28	4.5	32	64.5	15
A1611.AW0340	Black Coated	Triangle 7	28	4.5	32	64.5	15
A1611.AW0050	Chrome Plated	Triangle 8	28	4.5	32	64.5	15
A1611.AW0350	Black Coated	Triangle 8	28	4.5	32	64.5	15
A1611.AW0080	Chrome Plated	Slot (2x4)	28	4.5	32	64.5	15
A1611.AW0380	Black Coated	Slot (2x4)	28	4.5	32	64.5	15
A1611.AW0085	Chrome Plated	Hexagon 8	28	4.5	32	64.5	15
A1611.AW0385	Black Coated	Hexagon 8	28	5.5	31	64.5	15

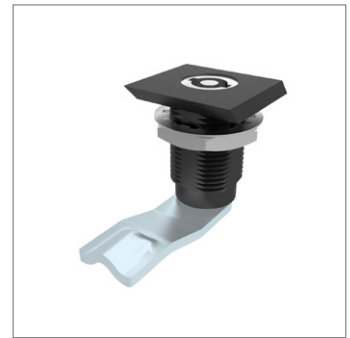
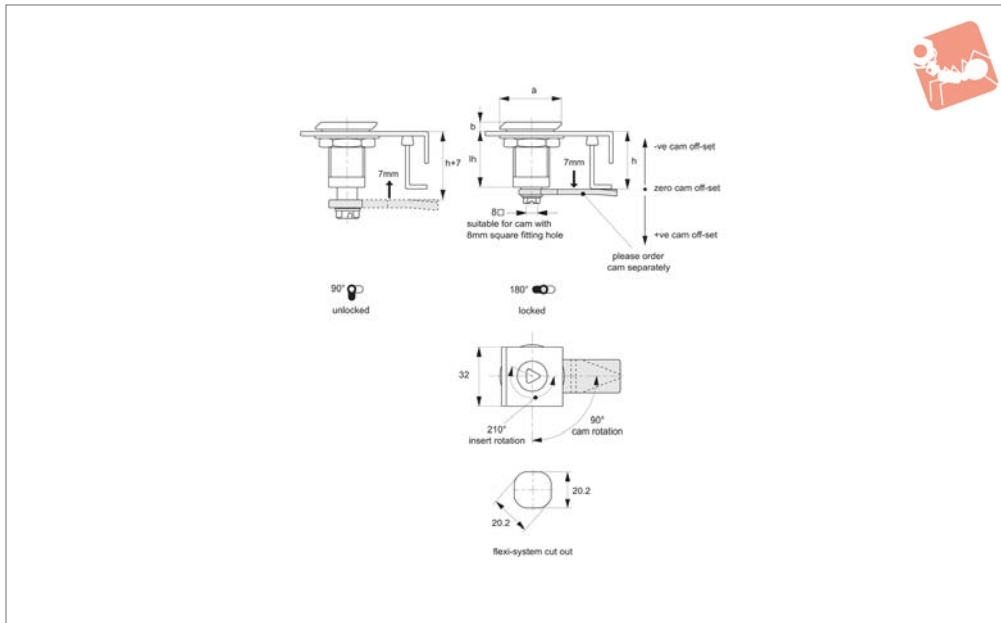


Compression Latches - Flexi-System

square face - fixed grip - zinc



Compression Latches



A1620

COMPRESSION LATCHES

Material

Body & insert: die cast zinc, black powder coated. Fitted with O'ring to provide IP54 rating.

Not supplied: CAM nor KEY - order separately.

Technical Notes

Order cam and key separately.

Cams: see suitable cam A0203 and A0224.

Select „without projection“ cam type.

Dimensions ch and cl relate to cam. Use formula to calculate ch (required cam off-set), and refer to cam selection chart;

$ch = h - lh$ where;

ch = required cam off-set/height.

h = grip length (distance between inside of

latch face and front of cam).

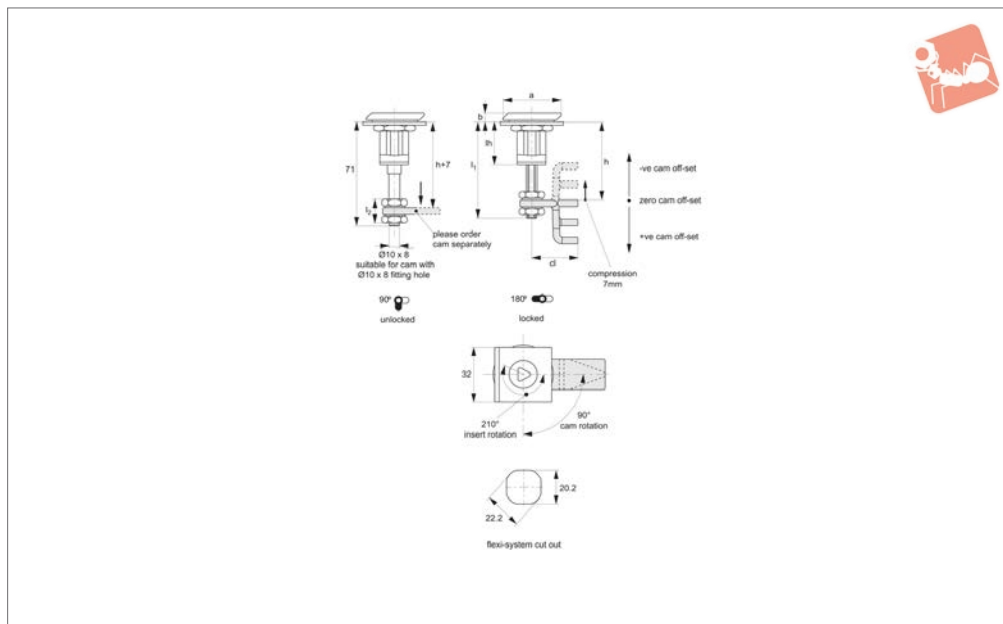
lh = body length of cam latch/lock to be used (see product table below).

Keys: see A0102.

Order No.	Insert driver	Type	a	b	lh
A1620.AW0020	Square 8	Fixed	34	5	32
A1620.AW0040	Triangle 7	Fixed	34	5	32
A1620.AW0050	Triangle 8	Fixed	34	5	32
A1620.AW0080	Slot (2x4)	Fixed	34	5	32
A1620.AW0085	Hexagon 8	Fixed	34	5	32



A1630



Material

Body & insert: die cast zinc, black powder coated. Fitted with O'ring to provide IP54 rating.

Not supplied: CAM nor KEY - order separately.

Technical Notes

Order cam and key separately.

Cams: see suitable cam A0231 and A0233.

Select „without projection“ cam type.

Dimensions ch and cl relate to cam. Use formula to calculate ch (required cam off-set), and refer to cam selection chart;

$ch = h - lh$ where;

ch = required cam off-set/height.

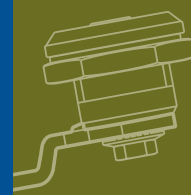
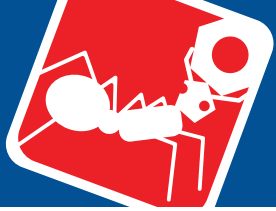
h = grip length (distance between inside of

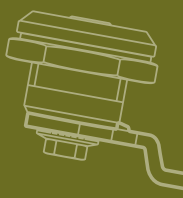
latch face and front of cam).

lh = body length of cam latch/lock to be used (see product table below).

Keys: see A0102.

Order No.	Insert driver	Type	a	b	lh	l ₁	l ₂ useful thread
A1630.AW0020	Square 8	Adjustable	34	5	64	38	15
A1630.AW0040	Triangle 7	Adjustable	34	5	64	38	15
A1630.AW0050	Triangle 8	Adjustable	34	5	64	38	15
A1630.AW0080	Slot (2x4)	Adjustable	34	5	64	38	15
A1630.AW0085	Hexagon 8	Adjustable	34	5	64	38	15



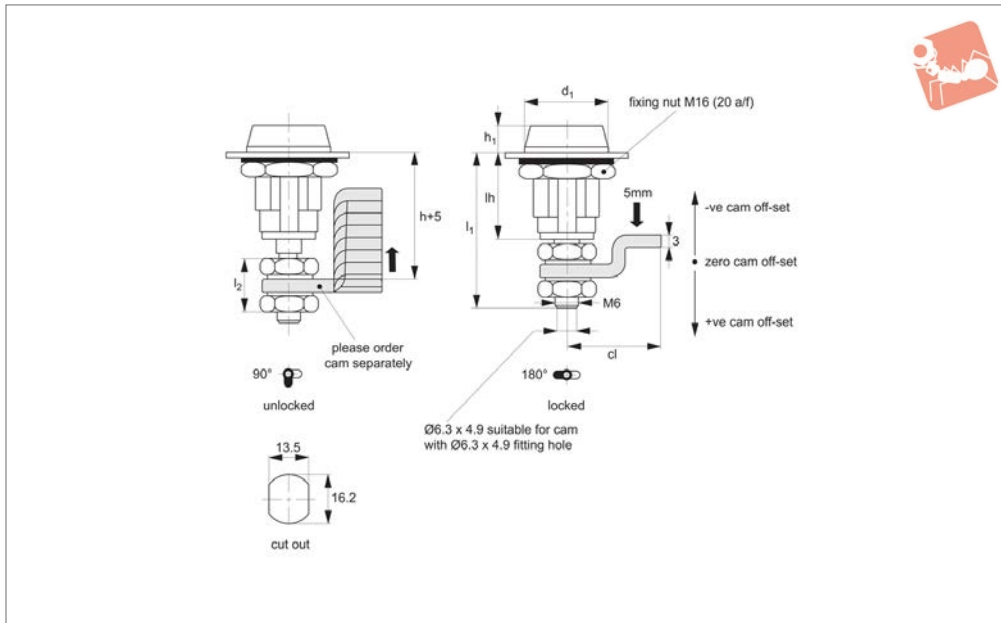




Mini Compression Latches

insert driver - adjustable grip - zinc

Compression Latches



A1661

COMPRESSION LATCHES

Material

Body & insert: die cast zinc, black paint coated.

Insert fitted with O'ring to provide IP54 rating.

Not supplied: CAM nor KEY: order separately.

Technical Notes

Suitable for material thickness 1-10mm.

Order keys separately.

Cam: see suitable cam A0234. Select „without projection“ cam type.

Dimensions ch & cl relate to cam. Use

formula to calculate ch (required cam off-set), and refer to cam selection chart;

ch = h - lh where;

ch = required cam off-set/height.

h = grip length (distance between inside of lock face and front of cam).

lh = body length of cam latch/lock to be used.

Keys: see A0102. For part A16661.AW0006 (Square 6) use key A0102.AW0306 only.

Tips

Compression locks provide sealing of enclosures to reduce vibration and to

provide noise isolation. Adjustable grip type has an extended stem which can be cut in length to best suit your application.

Action:

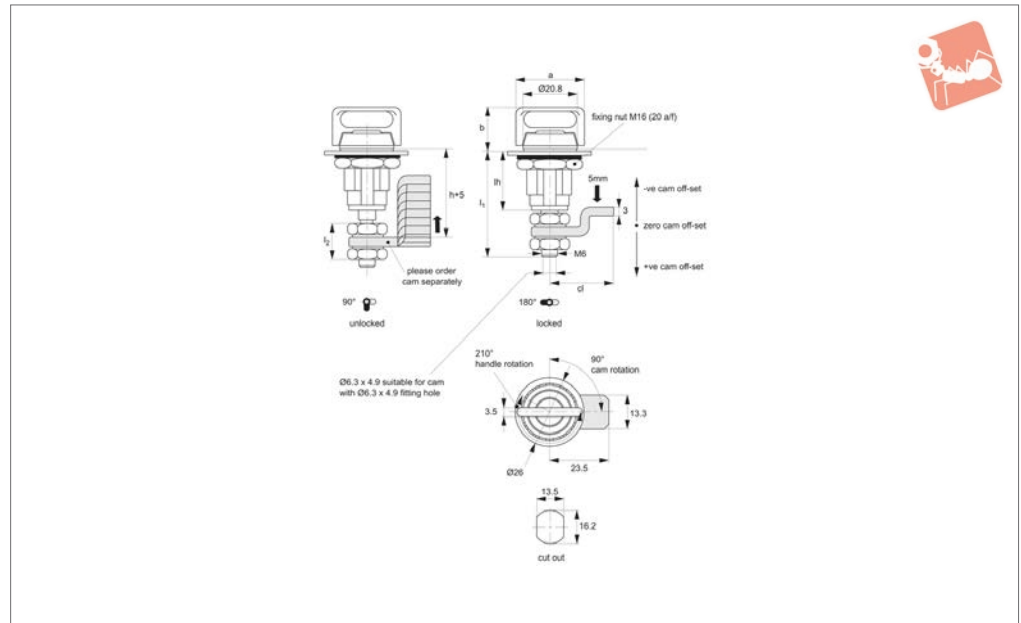
From unlocked position, first 90° turn moves the cam to the locking position. Turn lock 210° to engage compression, cam moves to final fixing position.

Provides a 5mm compression stroke.

Order No.	Insert driver	d ₁	h ₁	lh	l ₁	l ₂ useful thread
A1661.AW0006	Square 6	20.8	6	22.5	38	15
A1661.AW0080	Slotted (2x4)	20.8	6	22.5	38	15



A1667



Material

Body & insert: die cast zinc, black paint coated. Fitted with O'ring to provide IP54 rating.

Technical Notes

Suitable for material thickness 1-10mm.

Cam: see suitable cam A0234. Select „without projection“ cam type.

Dimensions ch & cl relate to cam. Use formula to calculate ch (required cam off-

set), and refer to cam selection chart;

$ch = h - lh$ where;

ch = required cam off-set/height.

h = grip length (distance between inside of lock face and front of cam).

lh = body length of cam latch/lock.

Keys: see A0102.

Tips

Compression locks provide sealing of enclosures to reduce vibration and to

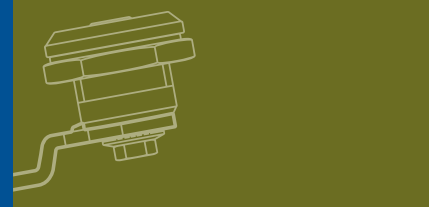
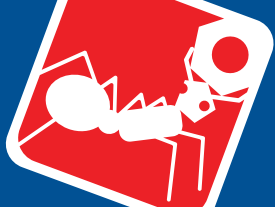
provide noise isolation. Adjustable grip type has an extended stem which can be cut in length to best suit your application.

Action:

From unlocked position, first 90° turn moves the cam to the locking position. Turn lock 210° to engage compression, cam moves to final fixing position.

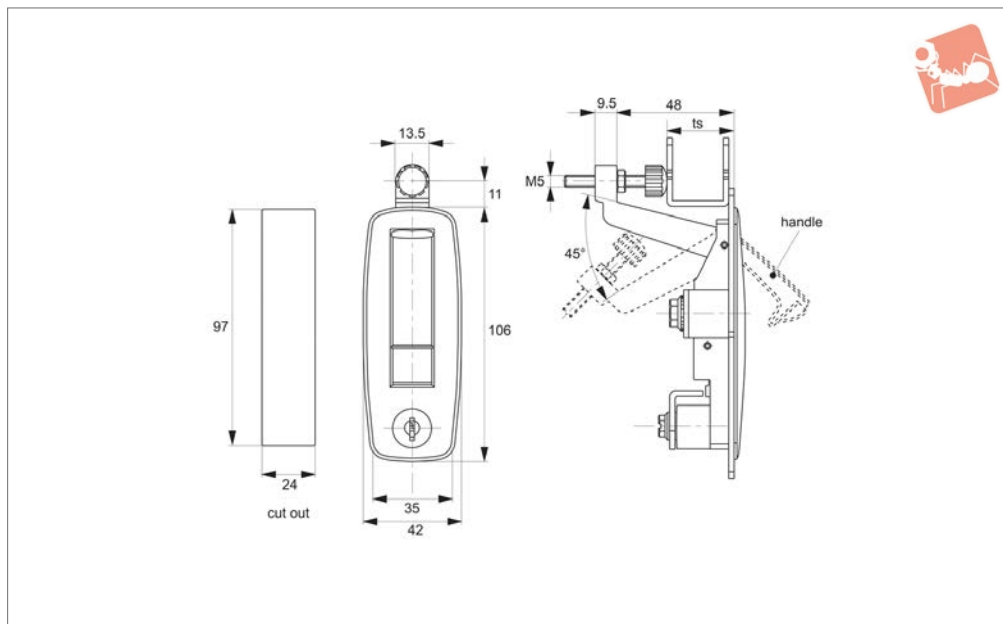
Provides a 5mm compression stroke.

Order No.	Type	Actuation	a	b	lh	l ₁	l ₂ useful thread
A1667.AW0010	Fixed	Wing Handle	25.5	12	22.5	38	15





A1701



Material

Body and handle and button: die cast zinc, black power coated.

Cylinder lock: die cast zinc.

Screw: steel, white zinc plated.

Supplied with: KEY.

Technical Notes

Grip length can be adjusted via M5 clamping screw to suit your application.

Suitable for panel thickness 20-35mm. For installation cut out see diagram.

Tips

Quick-open, easy assembling, by adjusting screw meets the needs of distance control.

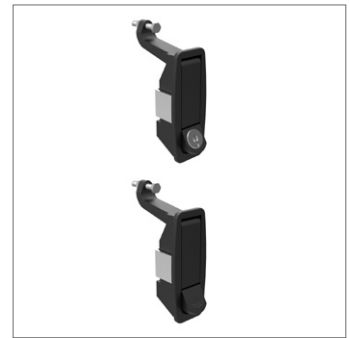
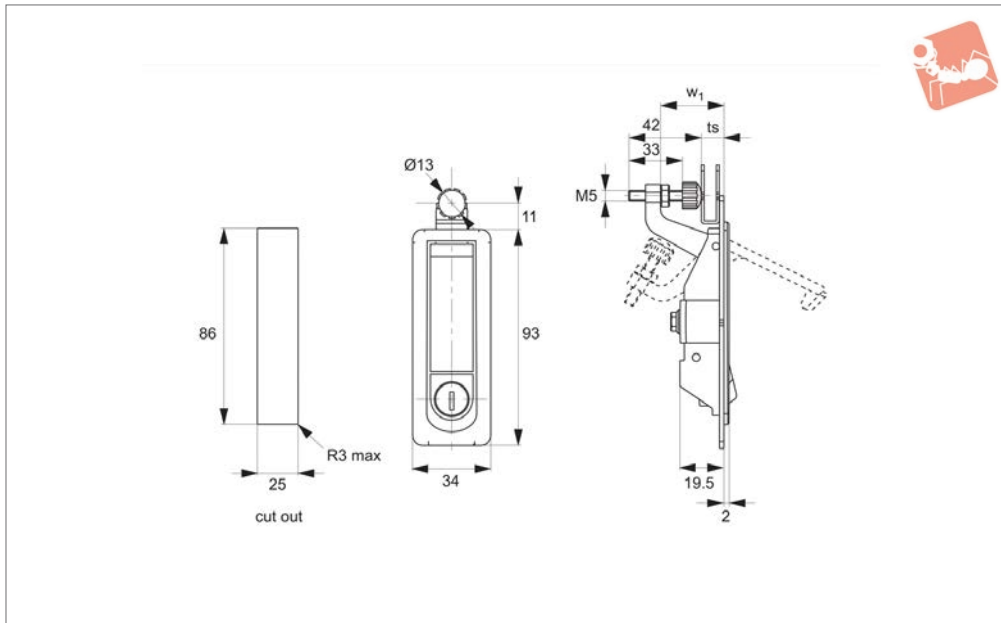
Order No.	Finish	Lock type	ts grip adj.
A1701.AW0310	Black Coated	Std. Cylinder	20-35



Compression Locks

lever latch - adjustable grip - raised trigger - zinc

Compression Latches



A1707

COMPRESSION LATCHES

Material

Body and handle and button: die cast zinc, black power coated.
Cylinder lock: die cast zinc.

Screw: steel, white zinc plated.

Supplied with: KEY.

Technical Notes

Grip length can be adjusted via screw between 1 and 20mm. Suitable for panel thickness 1-20mm.

Order No.	Finish	Lock type	ts grip adj.	w ₁
A1707.AW0710	Black Coated	Std. Cylinder with Keyed Alike	1-20	29
A1707.AW0720	Black Coated	Blank - No Lock	1-20	29
A1707.AW0910	Black Coated	Std. Cylinder with Keyed Alike	17-40	50
A1707.AW0920	Black Coated	Blank - No Lock	17-40	50

Compression Latches

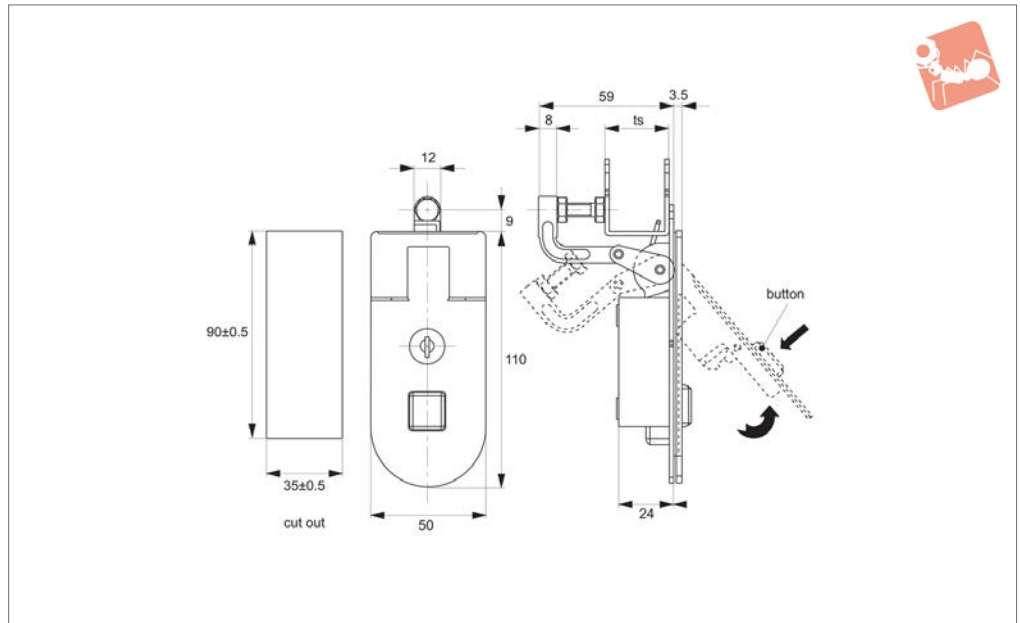
Compression Locks lever latch - adjustable grip - zinc



COMPRESSION LATCHES



A1751



Material

Body and handle: die cast zinc, black power coated.
Cylinder lock: die cast zinc.
Screw: steel, white zinc plated.

Supplied with: KEY.

Technical Notes

Grip adjustment 31-48mm.

Tips

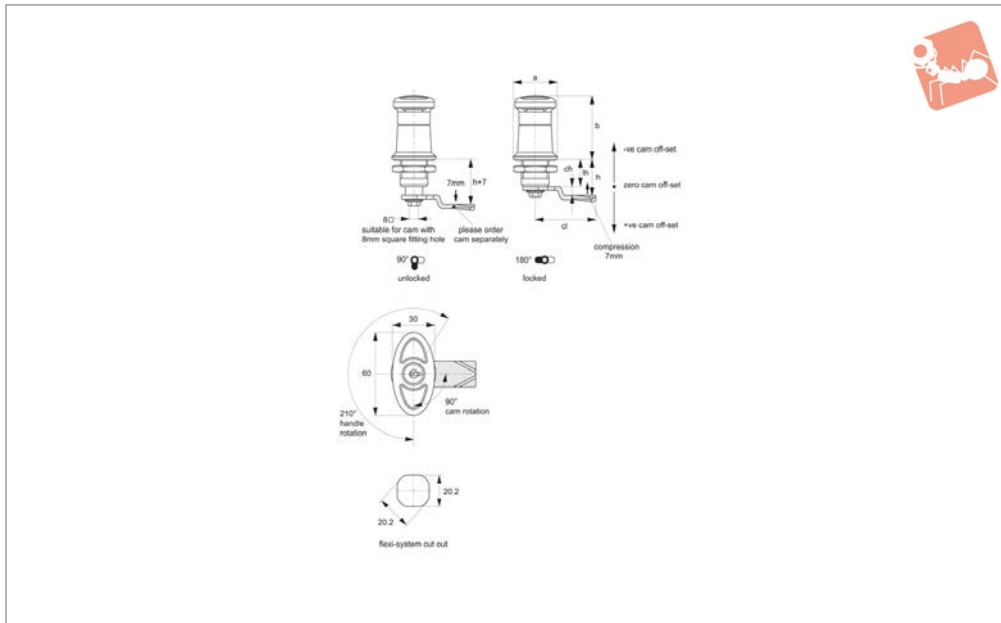
Quick-open, easy assembling. Grip length can be adjusted via clamping screw to suit your application.

Order No.	Finish	Lock type	ts grip adj.
A1751.AW0310	Black Coated	Std. Cylinder	31-48



Compression Lock - T-handle - Flexi- T-handle - fixed grip - zinc

Compression Latches



A1801

COMPRESSION LATCHES

Material

Body & handle: die cast zinc, nanometer coated.

Supplied with: Key.

Not supplied: CAM - order separately.

Technical Notes

Order cam and key separately.

Cams: see suitable cam A0203 and A0224.

Select „without projection“ cam type.

Dimensions ch and cl relate to cam. Use formula to calculate ch (required cam off-set), and refer to cam selection chart;
 $ch = h - lh$ where;
 ch = required cam off-set/height.
 h = grip length (distance between inside of latch face and front of cam).
 lh = body length of cam latch/lock to be used (see product table below).

Keys: see A0102.

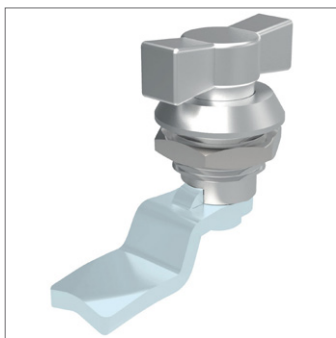
Tips

Compression locks provide sealing of enclosures to reduce vibration and to provide noise isolation.

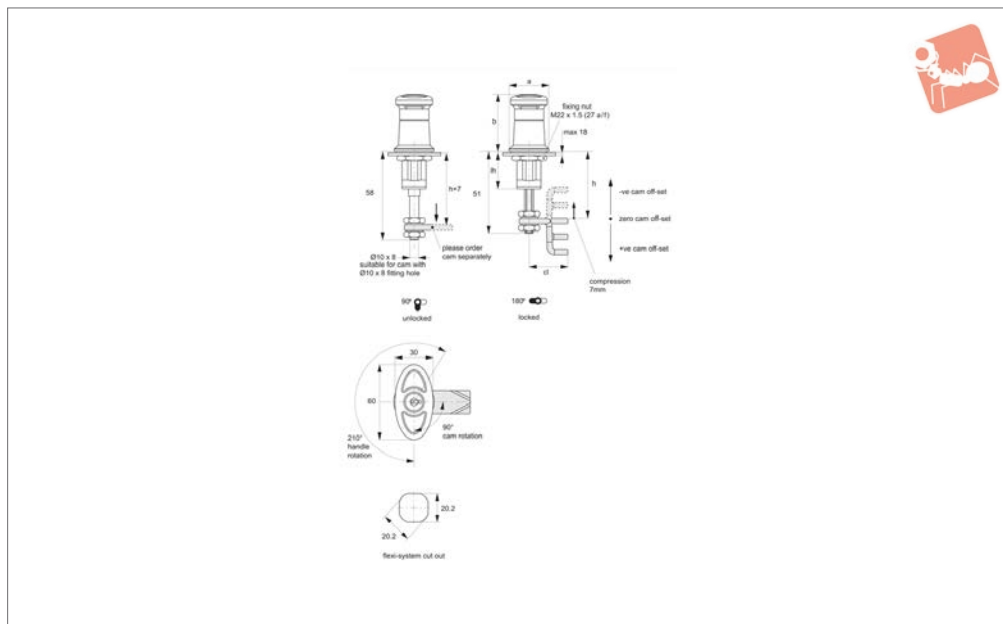
Action:

210° handle rotation, 90° cam rotation.

Order No.	Lock type	a	b	lh
A1801.AW0032	Std. Cylinder	32	46	18
A1801.AW0132	Blank - No Lock	32	46	18



A1810



Material

Body & handle: die cast zinc, nanometer coated.

Shaft: steel, white zinc plated.

Supplied with: Key.

Not supplied: CAM - order separately.

Technical Notes

Order cam and key separately.

Cams: see suitable cam A0231 and A0233.

Select „without projection“ cam type.

Dimensions ch and cl relate to cam. Use

formula to calculate ch (required cam off-set), and refer to cam selection chart;

ch = h - lh where;

ch = required cam off-set/height.

h = grip length (distance between inside of latch face and front of cam).

lh = body length of cam latch/lock to be used (see product table below).

Keys: see A0102.

Tips

Compression locks provide sealing of

enclosures to reduce vibration and to provide noise isolation.

Adjustable grip type has an extended stem which can be cut in length to best suit your application.

Action:

210° handle rotation, 90° cam rotation.

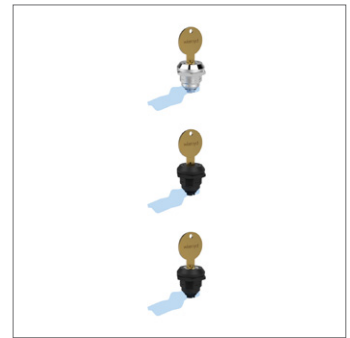
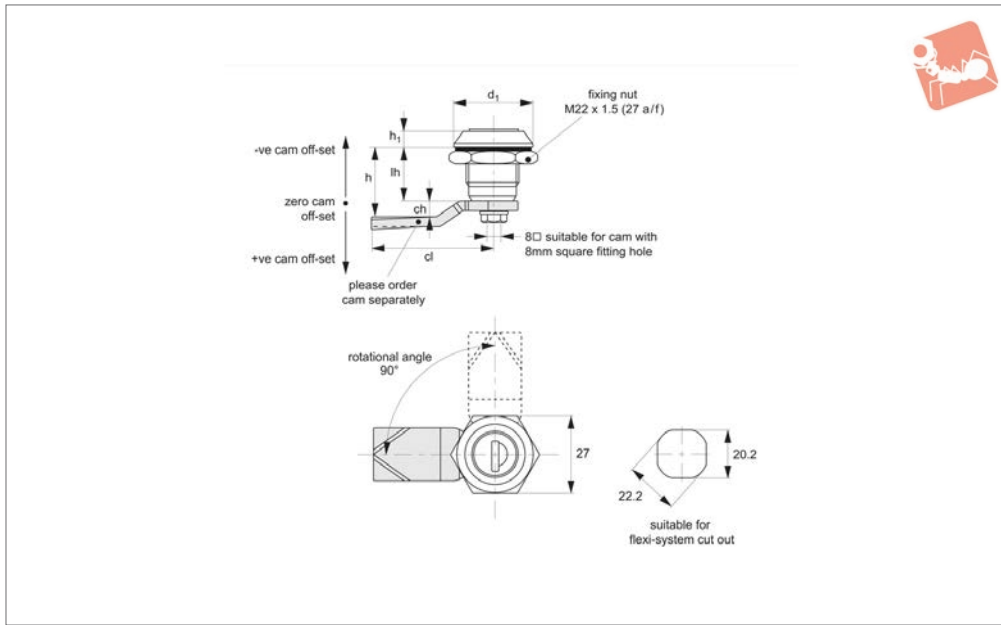
Provides a 7mm compression stroke.

Order No.	Lock type	a	b	lh
A1810.AW0032	Std. Cylinder	32	46	18
A1810.AW0132	Blank - No Lock	32	46	18



Cam Locks - Flexi-System

fixed grip - zinc



A2001

CAM LOCKS

Material

Type one & Two: Body: die cast zinc, finished in chrome plate or black powder coating.
 Cylinder lock: die cast zinc, chrome plated.
Type Three: Body: polyamide.
 Cylinder lock: die cast zinc, chrome plated.
Supplied with: Keys: two per lock.
Not supplied: CAM - order separately.

Technical Notes

Order cam separately.

Cams: see suitable cam A0203, A0224 and A0240. Select „without projection“ cam type.
 Dimensions ch and cl relate to cam. Use formula to calculate ch (required cam off-set), and refer to cam selection chart;
 $ch = h - lh$ where;
 ch = required cam off-set/height.
 h = grip length (distance between inside of latch face and front of cam).
 lh = body length of cam latch/lock to be

used (see product table below).

Rods & Guides: to achieve 3-point latching - A0303, A0321, A0325.

Tips

Quarter turn opening or closing.
 Universal left and right application.

Important Notes

Sold subject to pack quantity.

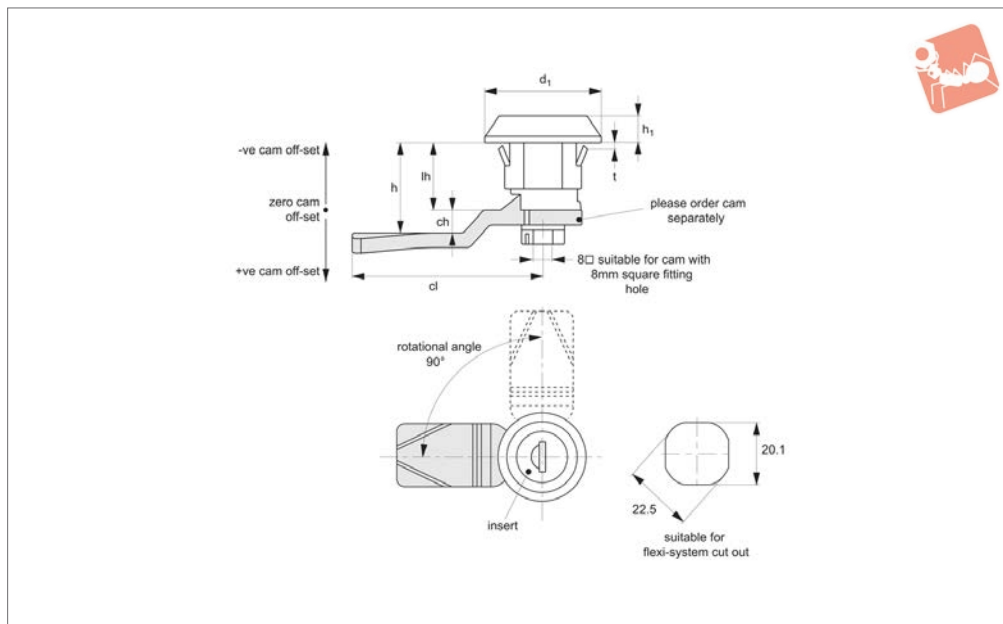
Order No.	Type	Body finish	Key type	d ₁	h ₁	lh
A2001.AW0010	One	Chrome Plated	Keyed Alike	28.0	6	20
A2001.AW0310	Two	Black Coated	Keyed Alike	28.0	6	18
A2001.AW0320	Two	Black Coated	Keyed to Differ	28.0	6	18
A2001.AW0330	Two	Black Coated	Euro	30.0	6	18
A2001.AW0510	Three	Plastic, Black	Keyed Alike	28.0	6	18
A2001.AW0520	Three	Plastic, Black	Keyed to Differ	28.0	6	18



CAM LOCKS



A2003



Material

Cylinder lock: die cast zinc, chrome plated.

Technical Notes

Order cam and key separately.

Cams: see suitable cam A0203, A0224 and A0240. Select „with projection“ cam type.

Dimensions ch and cl relate to cam. Use formula to calculate ch (required cam off-

set), and refer to cam selection chart;

$ch = h - l_h$ where;

ch = required cam off-set/height.

h = grip length (distance between inside of latch face and front of cam).

l_h = body length of cam latch/lock to be used (see product table below).

Suitable for panel thickness 0,8-1,5mm

Keys: see A0102.

Tips

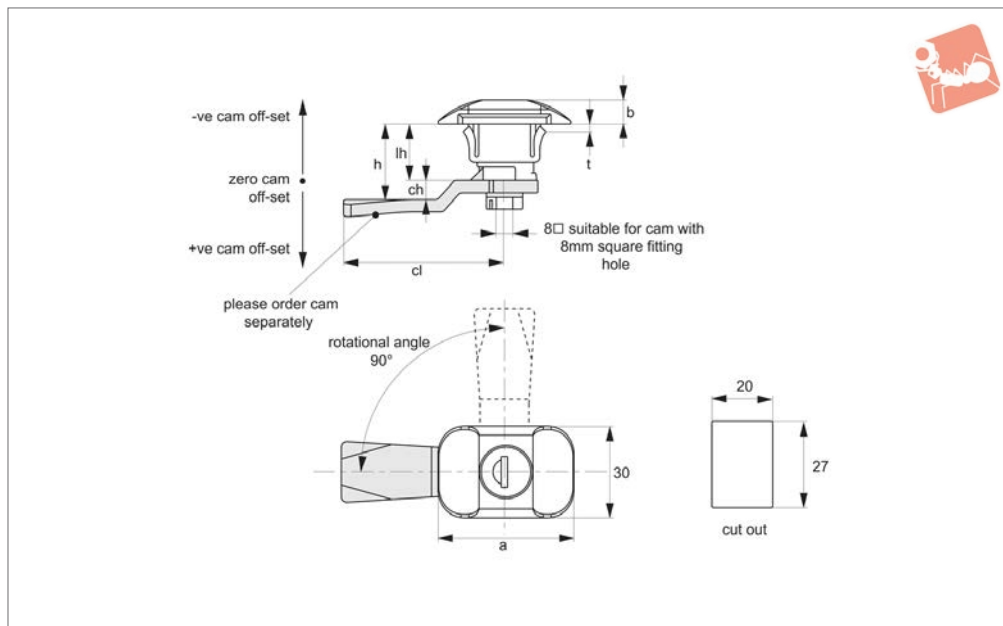
Easy snap on fix mounting. Make cut out in panel as shown, and simply push in handle, snap on clips will spring back to securely mount handle.

Order No.	Key	d_1	h_1	t	l_h
A2003.AW0010	Keyed Alike	30.0	7.5	0,8-1,5	18
A2003.AW0030	Euro Key	30.0	7.5	0,8-1,5	18





Cam Locks - Snap on cylinder lock - keyed alike, euro key



A2005

CAM LOCKS

Material

Cylinder lock: die cast zinc, chrome plated.

Technical Notes

Order cam and key separately.

Cams: see suitable cam A0203, A0224 and A0240. Select „with projection“ cam type. Dimensions ch and cl relate to cam. Use formula to calculate ch (required cam off-

set), and refer to cam selection chart;

$ch = h - lh$ where;

ch = required cam off-set/height.

h = grip length (distance between inside of latch face and front of cam).

lh = body length of cam latch/lock to be used (see product table below).

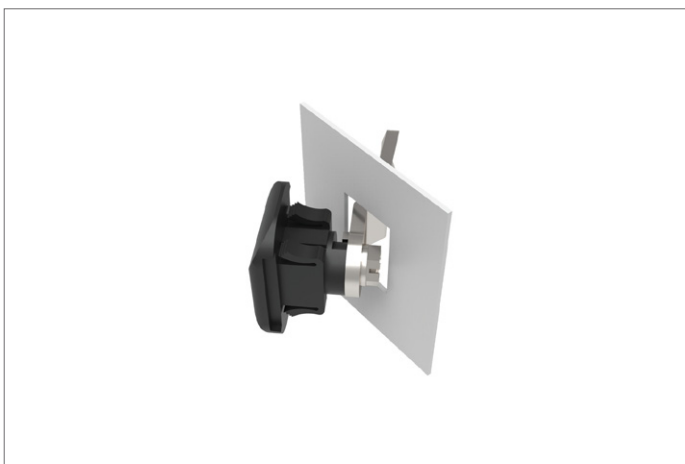
Suitable for panel thickness 0,8-2mm

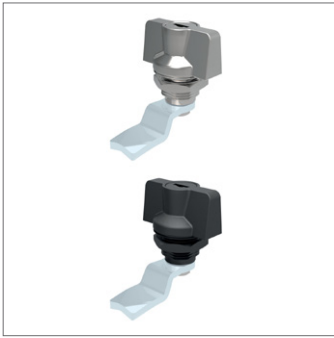
Keys: see A0102.

Tips

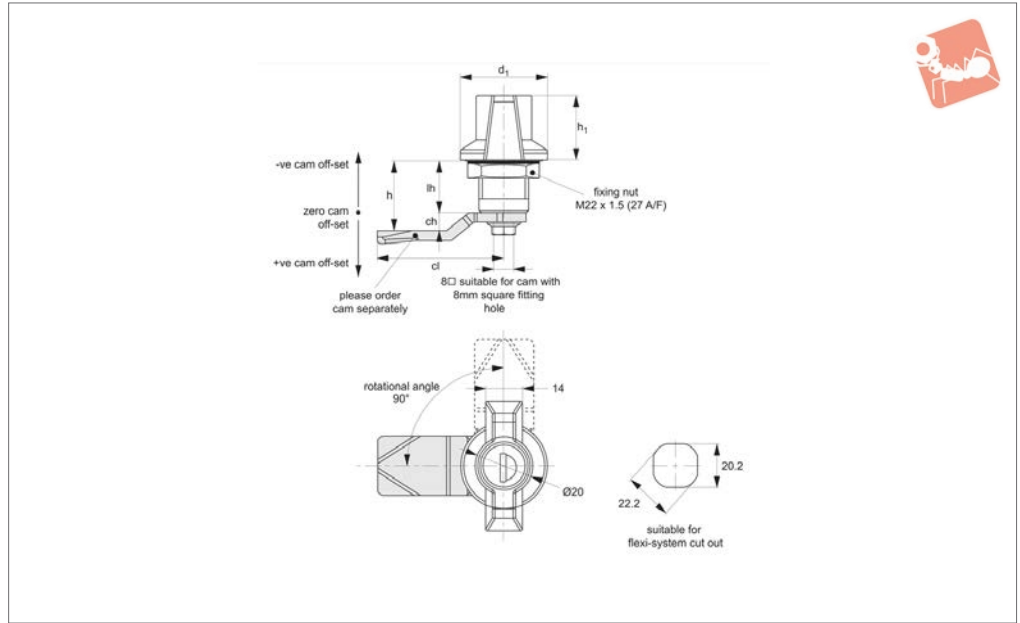
Easy snap on fix mounting. Make cut out in panel as shown, and simply push in handle, snap on clips will spring back to securely mount handle.

Order No.	Key type	a	b	t	lh
A2005.AW0010	Keyed Alike	43.0	7.5	0,8-2	17.8
A2005.AW0030	Euro Key	43.0	7.5	0,8-2	17.8





A2203



Material

Body & insert: die cast zinc, finished in chrome plate or black powder coating.
 Fitted with O'ring to provide IP54 rating.
 Cylinder lock: die cast zinc, chrome plated.
 With dust cap to prevent material ingress.
Supplied with: Keys: two per lock.
Not supplied: CAM - order separately.

Technical Notes

Order cam separately.
Cams: see suitable cam A0203, A0224 and

A0240. Select „without projection“ cam type.
 Dimensions ch and cl relate to cam. Use formula to calculate ch (required cam off-set), and refer to cam selection chart;
ch = h - lh where;
ch = required cam off-set/height.
h = grip length (distance between inside of latch face and front of cam).
lh = body length of cam latch/lock to be used (see product table below).

Rods & Guides: to achieve 3-point latching - A0303, A0321, A0325.

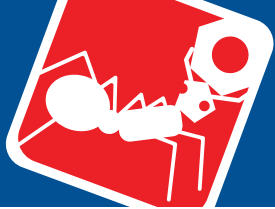
Tips

Quarter turn opening or closing.
 Wings act as actuation handle.
 Universal left and right.

Important Notes

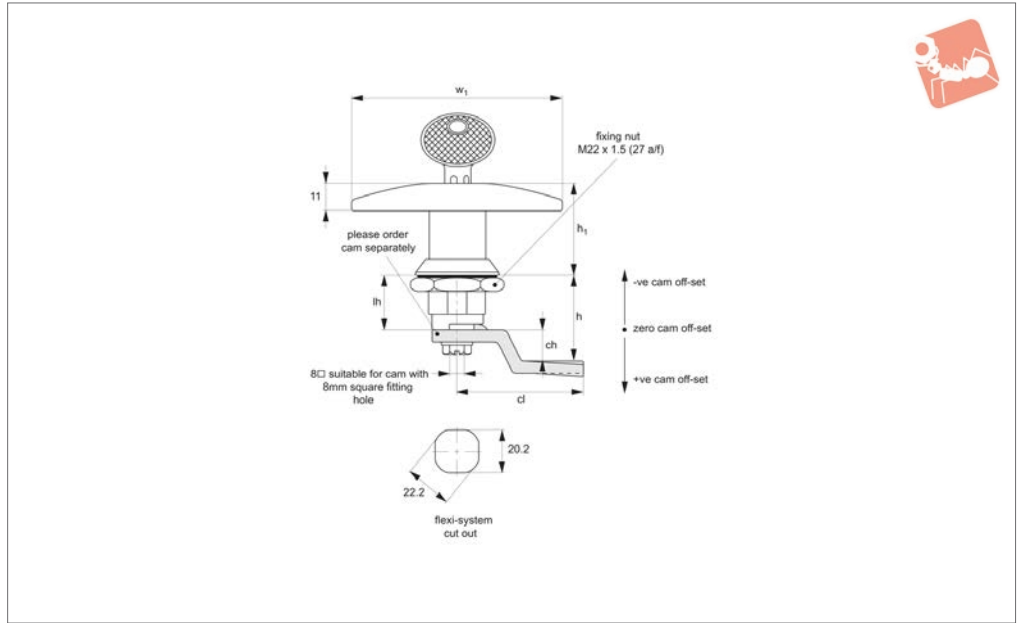
Sold subject to pack quantity.

Order No.	Body finish	Key type	d ₁	h ₁	lh
A2203.AW0010	Chrome	Keyed Alike	30.5	23.6	18
A2203.AW0020	Chrome	Keyed to Differ	30.5	23.6	18
A2203.AW0310	Black Coated	Keyed Alike	30.5	23.6	18
A2203.AW0320	Black Coated	Keyed to Differ	30.5	23.6	18





A2503



CAM LOCKS

Material

Type one & two: Body: die cast zinc. Finished in chrome plate or black powder coating.
 Cylinder lock: die cast zinc, chrome plated. IP65/NEMA 4 rated.
Supplied with: Nut: steel, zinc plated. Sealing washer: PU & Rubber. Keys: two per lock.

Not supplied: Cam: order separately.

Technical Notes

Order cam separately.
Cams: see suitable cam A0203, and A0240. Select „with projection“ cam type to prevent cam rotating over 45°. Dimensions ch and cl relate to cam. Use formula to calculate ch (required cam off-

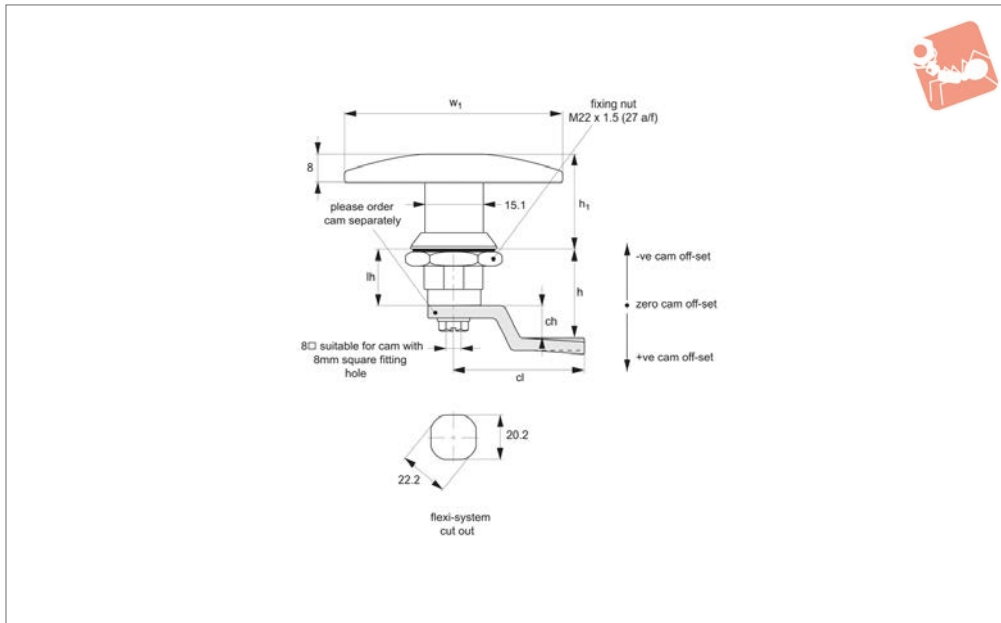
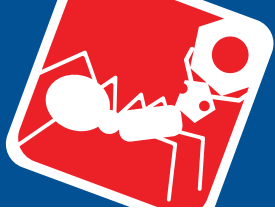
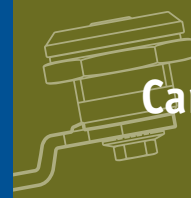
set), and refer to cam selection chart;
 $ch = h - lh$ where;
 ch = required cam off-set/height.
 h = grip length (distance between inside of latch face and front of cam).
 lh = body length of cam latch/lock to be used (see product table below).
Rods & Guides: to achieve 3-point latching - A0303, A0321, A0325.

Order No.	Body finish	Key type	w_1	h_1	lh
A2503.AW0110	Chrome Plated	Keyed Alike	78	37	18
A2503.AW0120	Chrome Plated	Keyed to Differ	78	37	18
A2503.AW0310	Black Coated	Keyed Alike	78	37	18
A2503.AW0320	Black Coated	Keyed to Differ	78	37	18

Cam Lock - Long Body

T-handle - fixed grip

Cam Locks



A2504

CAM LOCKS

Material

Body: die cast zinc, black powder coated.
Fitted with O'ring to achieve IP54 rating.

Not Supplied Cam: steel, white zinc-plated.

Technical Notes

Order cam separately.

Cams: see suitable cam A0203, A0224 and A0240. Select „without projection“ cam type.

Dimensions ch and cl relate to cam. Use formula to calculate ch (required cam off-set), and refer to cam selection chart;

$$ch = h - lh \text{ where;}$$

ch = required cam off-set/height.

h = grip length (distance between inside of latch face and front of cam).

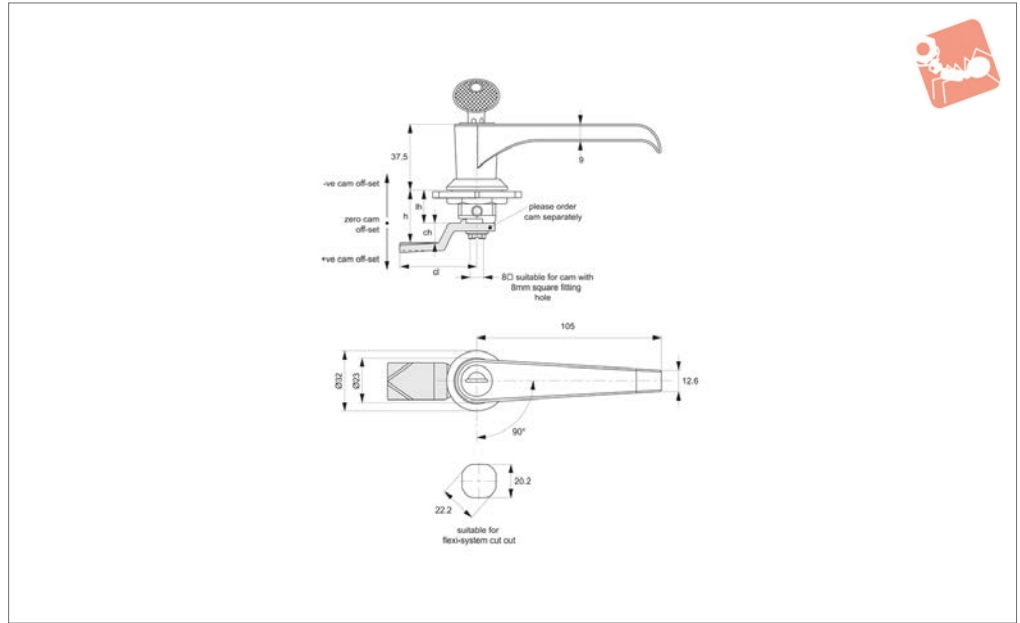
lh = body length of cam latch/lock to be used (see product table below).

Rods & Guides: to achieve 3-point latching - A0303, A0321, A0325.

Order No.	Key type	w_1	h_1	lh
A2504.AW0318	Blank - No Lock	60	30	18
A2504.AW0328	Blank - No Lock	60	30	28
A2504.AW0336	Blank - No Lock	60	30	36
A2504.AW0362	Blank - No Lock	60	30	62



A2523



Material

Body: die cast zinc, finished in chrome plate or black powder coating.
 Cylinder lock: die cast zinc, chrome plated.
Supplied With: Nut: steel, zinc plated.
 Keys: two per lock.
Not Supplied: Cam: order separately.

Technical Notes

Order cam separately.

Cams: see suitable cam A0203, and A0240. Select „with projection“ cam type to prevent cam rotating over 45°. Dimensions ch and cl relate to cam. Use formula to calculate ch (required cam off-set), and refer to cam selection chart; **ch = h - lh** where; **ch** = required cam off-set/height. **h** = grip length (distance between inside of

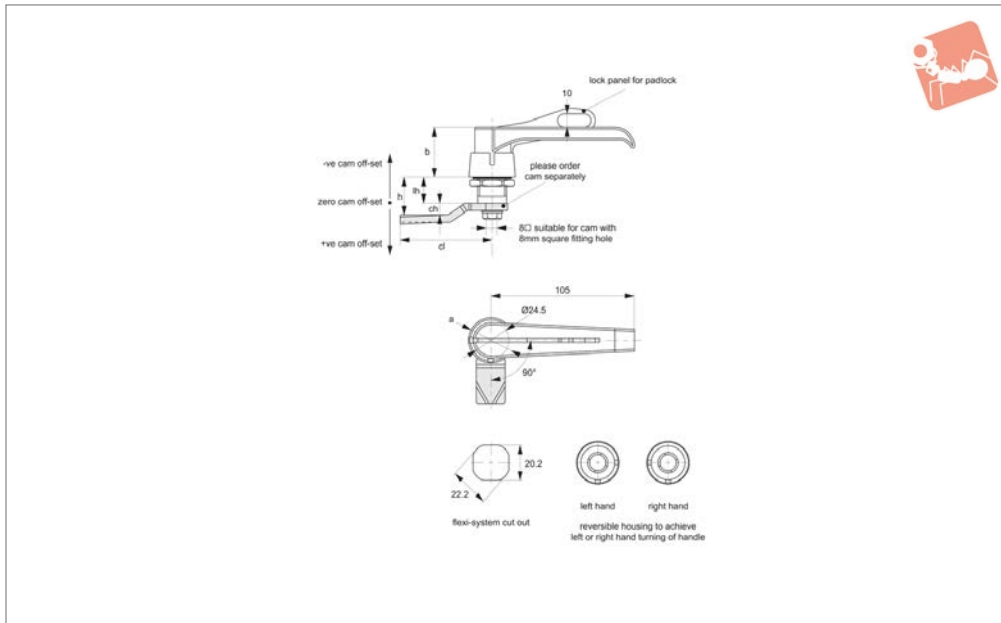
latch face and front of cam). **lh** = body length of cam latch/lock to be used (see product table below). **Rods & Guides:** to achieve 3-point latching - A0303, A0321, A0325. **Tips** Disc tumbler cylinder locks with stainless dust cap, to prevent material ingress. Universal left and right.

Order No.	Body finish	Key type	d ₁	lh
A2523.AW0110	Chrome Plated	Keyed Alike	32	18
A2523.AW0120	Chrome Plated	Keyed to Differ	32	18
A2523.AW0310	Black Coated	Keyed Alike	32	18
A2523.AW0320	Black Coated	Keyed to Differ	32	18
A2523.AW4110	Stainless Steel	Keyed Alike	32	18



Cam Locks - Flexi System

L-handle - padlockable - zinc



A2526

CAM LOCKS

Material

Type One: Body & handle: die cast zinc, black coated. Fitted with O’ring to achieve IP54 rating.

Type Two: Body & handle: stainless steel.

Not Supplied: CAM - order separately.

Technical Notes

Order cam separately.

Cams: see suitable cam A0203, A0224 and

A0240. Select „without projection“ cam type.

Dimensions ch and cl relate to cam. Use formula to calculate ch (required cam off-set), and refer to cam selection chart;

ch = h - lh where;

ch = required cam off-set/height.

h = grip length (distance between inside of latch face and front of cam).

lh = body length of cam latch/lock to be used (see product table below).

Rods & Guides: to achieve 3-point latching - A0303, A0321, A0325.

Tips

Quarter-turn opening or closing, padlockable. Reversible housing allows for left or right hand turning of handle.

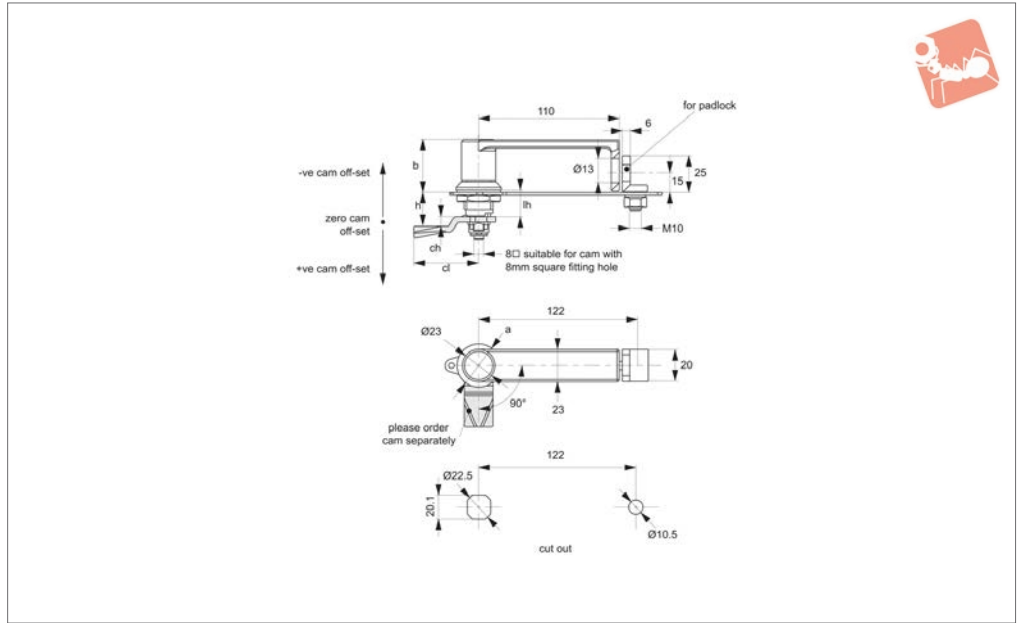
Order No.	Body finish	Type	a	b	lh
A2526.AW0010	Black Coated	Padlockable	32	36	18
A2526.AW0020	Stainless Steel	Padlockable	32	36	18



CAM LOCKS



A2528



Material

Body: die cast zinc, black powder coated.
Handle & lock panel: aluminium, black powder coated.

Not Supplied: Cam: order separately.

Technical Notes

Order cam separately.

Cams: see suitable cam A0203, and A0240.
Select „with projection“ cam type to

prevent cam rotating over 45°.

Dimensions ch and cl relate to cam. Use formula to calculate ch (required cam off-set), and refer to cam selection chart;

ch = h - lh where;

ch = required cam off-set/height.

h = grip length (distance between inside of latch face and front of cam).

lh = body length of cam latch/lock to be

used (see product table below).

Rods & Guides: to achieve 3-point latching - A0303, A0321, A0325.

Tips

Suitable for padlocks with max. 13mm dia. shackle.

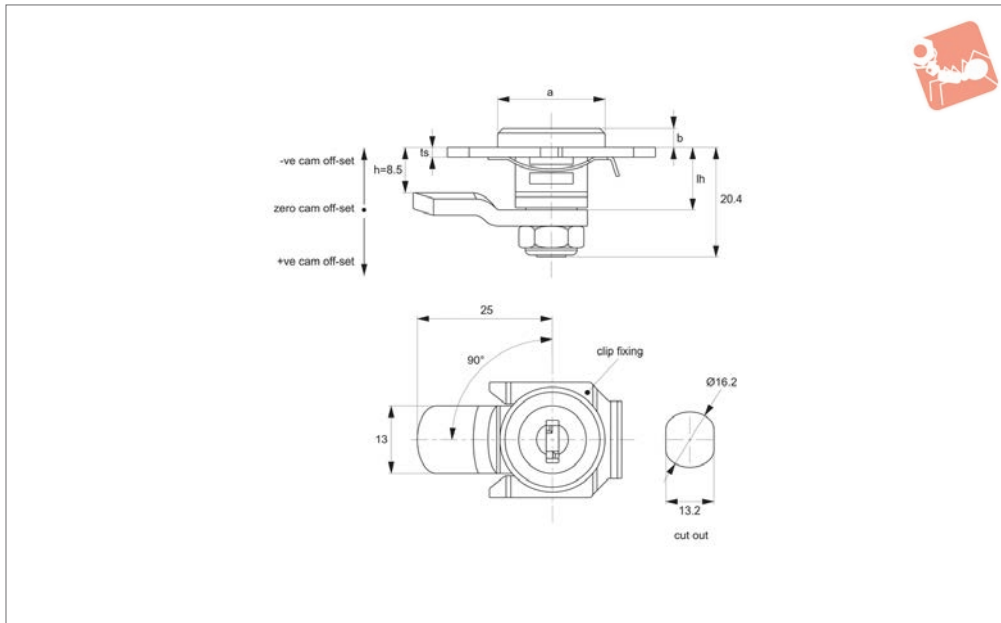
L- handle padlockable to fixed plate on enclosure for extra security.

Order No.	Body finish	Type	a	b	lh
A2528.AW0018	Black Coated	Padlockable	32	35	18



Cam Lock - Clip Fixing

fixed grip - zinc



A2324

CAM LOCKS

Material

Body & insert: die cast zinc, pocked black powder coated.

Supplied with: Keys: two per lock.

Cam: zinc plated steel.

Technical Notes

For panel thickness 1.5-5mm. Dimensions

ch & cl relate to cam. Use formula to calculate ch (required cam off-set), and refer to cam selection chart;

ch = h - lh where;

ch = required cam off-set/ height.

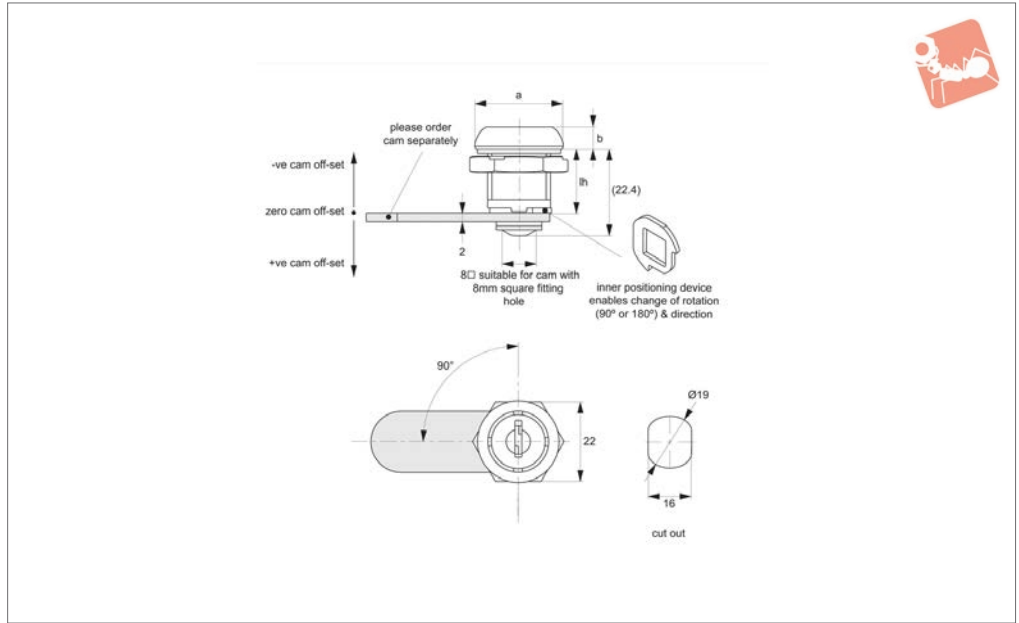
h = grip length (distance between inside of latch face and front of cam).

lh = body length of cam latch/lock to be used (see product table below).

Order No.	Key type	a	b	lh	ts
A2324.AW0010	Keyed Alike	19.5	3.5	11.5	1,5-5



A2326



CAM LOCKS

Material

Body & inset: plastic.
Cap: stainless steel, mirror polished.
Nut: die cast zinc, white zinc plated. Screw: steel, white zinc plated.

Supplied with:

Keys: two per lock.

Technical Notes

Order cam separately.
Suitable for use with cam A2326.AW0999

Tips

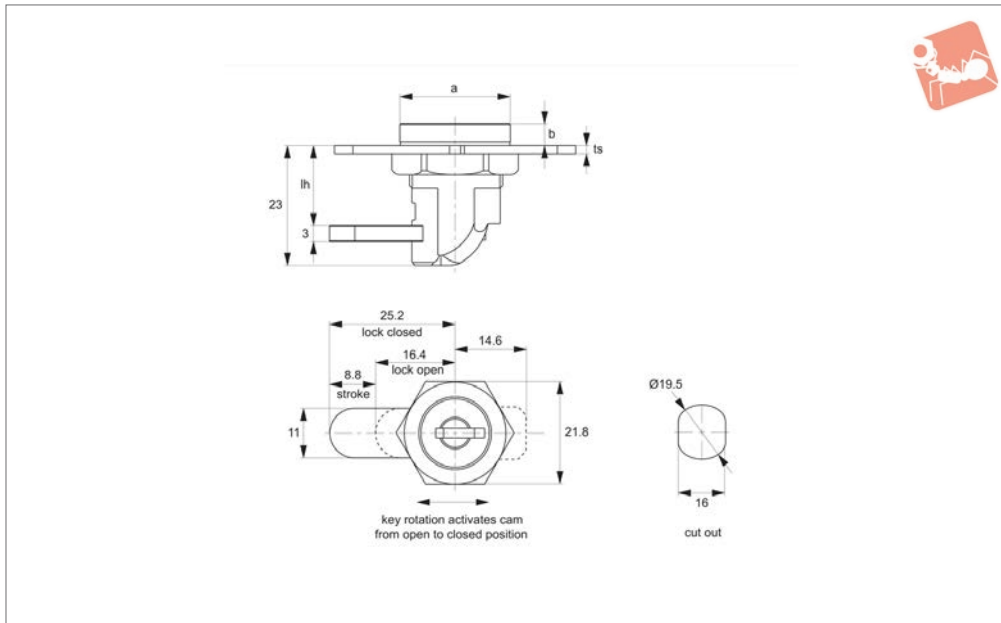
Lock has inner positioning device which can be manipulated to give either 90° or 180° lock rotation, and to can change direction of rotation.

Order No.	Key type	Rotation	a	b	lh
A2326.AW0010	Keyed Alike	90	22.8	5.8	16.5
A2326.AW0020	Keyed Alike	180	22.8	5.8	16.5
A2326.AW0999	Cam	-	-	-	-



Mini Cam Lock

fixed grip - zinc - extending cam



A2328

CAM LOCKS

Material

Body & insert: zinc die cast, black painted.

Supplied with: Cam: steel, white zinc plated.

Keys: two supplied per lock.

Tips

Actuation of lock by turning key 180°. The

cam extends to lock and retracts to open. Cam has effective stroke of 8,8mm.

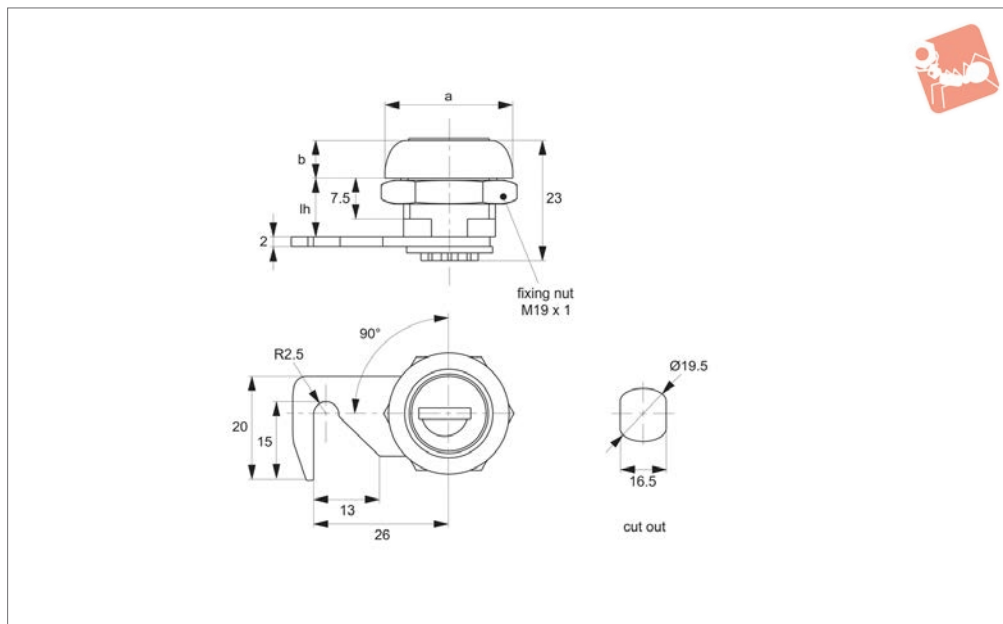
Order No.	Key type	a	b	lh
A2328.AW0010	Keyed Alike	21.6	4	15



CAM LOCKS



A2330



Material

Body: zinc die cast, bright chrome plated.

Supplied with: Cam: steel, white zinc

plated. Keys: supplied two per lock.

to fixed point on frame.

Technical Notes

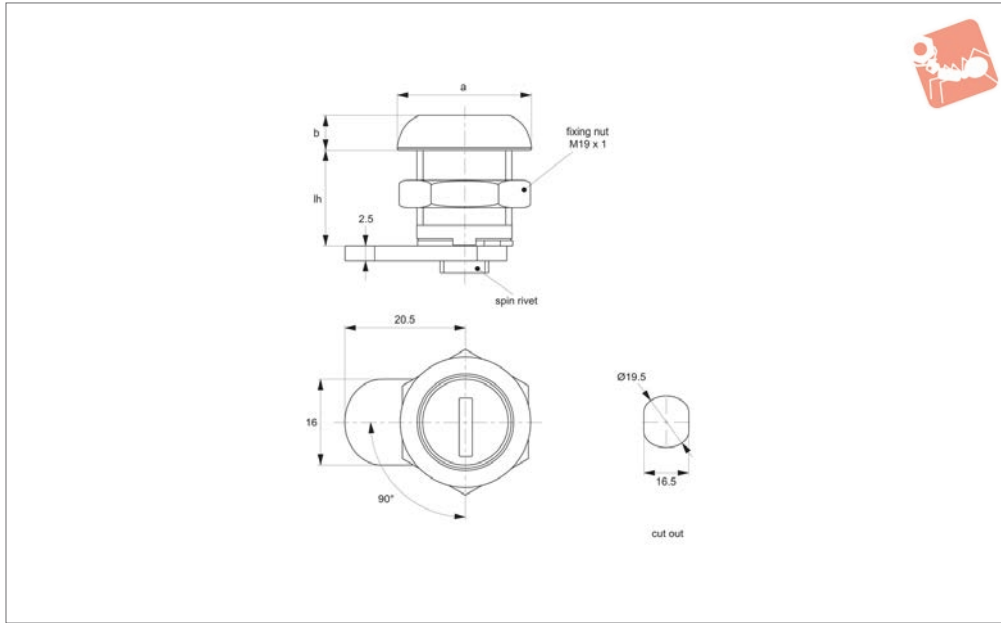
Hooked cam allows locking by rotation on

Order No.	Key type	a	b	lh
A2330.AW0010	Keyed Alike	24.0	7.2	11
A2330.AW0020	Keyed to Differ	24.0	7.2	11



Mini Cam Locks

fixed grip - zinc



A2331

CAM LOCKS

Material

Body: zinc die cast, white zinc plated.

Supplied with: Cam: steel.

Keys: two per lock.

Tips

Quarter turn opening or closing. Ideal for

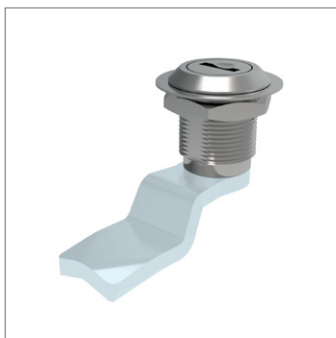
use in metal cabinets, drawers and machinery covers etc.

Due to compact size of cam and lock body there is no need to remove cam during installation.

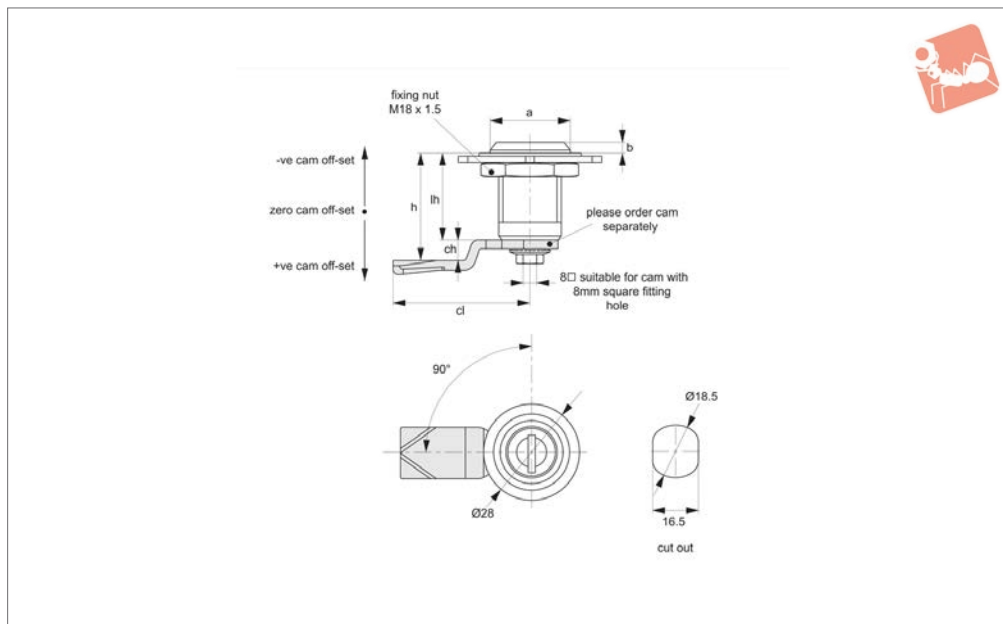
Keyed to differ model has a max. 100 key

combinations.

Order No.	Key type	a	b	lh
A2331.AW0010	Keyed Alike	23.0	6	16
A2331.AW0020	Keyed to Differ	23.0	6	16



A2333



Material

Body & insert: zinc die cast, bright chrome plated.

Supplied with: Cam: steel, white zinc plated.

Keys: two per lock.

Technical Notes

Order cam separately.

Cams: see suitable cam A0203, A0224 and A0240. Select „without projection“ cam

type.

Dimensions ch and cl relate to cam. Use formula to calculate ch (required cam off-set), and refer to cam selection chart;

$ch = h - lh$ where;

ch = required cam off-set/height.

h = grip length (distance between inside of latch face and front of cam).

lh = body length of cam latch/lock to be used (see product table below).

Rods & Guides: to achieve 3-point latching - A0303, A0321, A0325.

Tips

Quarter turn opening or closing. Ideal for use in metal cabinets, drawers and machinery covers etc.

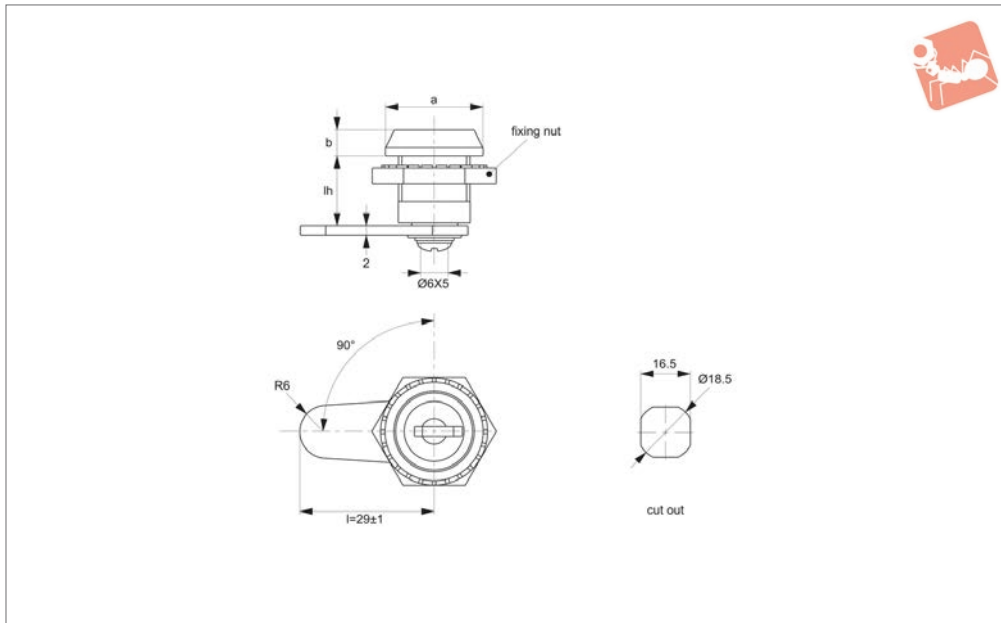
Due to compact size of cam and lock body there is no need to remove cam during installation.

Order No.	Key type	a	b	lh
A2333.AW0010	Keyed Alike	22.5	3	16
A2333.AW0110	Keyed Alike	22.5	3	20
A2333.AW0210	Keyed Alike	22.5	3	30
A2333.AW0120	Keyed to Differ	22.5	3	20
A2333.AW0020	Keyed to Differ	22.5	3	16
A2333.AW0220	Keyed to Differ	22.5	3	30



Mini Cam Lock

fixed grip - zinc



A2340

CAM LOCKS

Material

Body & insert: zinc die cast, bright chrome plated.

Supplied with: Cam: steel, white zinc plated. Keys: two per lock.

Tips

Quarter turn opening or closing. Ideal for use in metal cabinets, drawers and machinery covers etc.

Due to compact size of cam and lock body

there is no need to remove cam during installation.

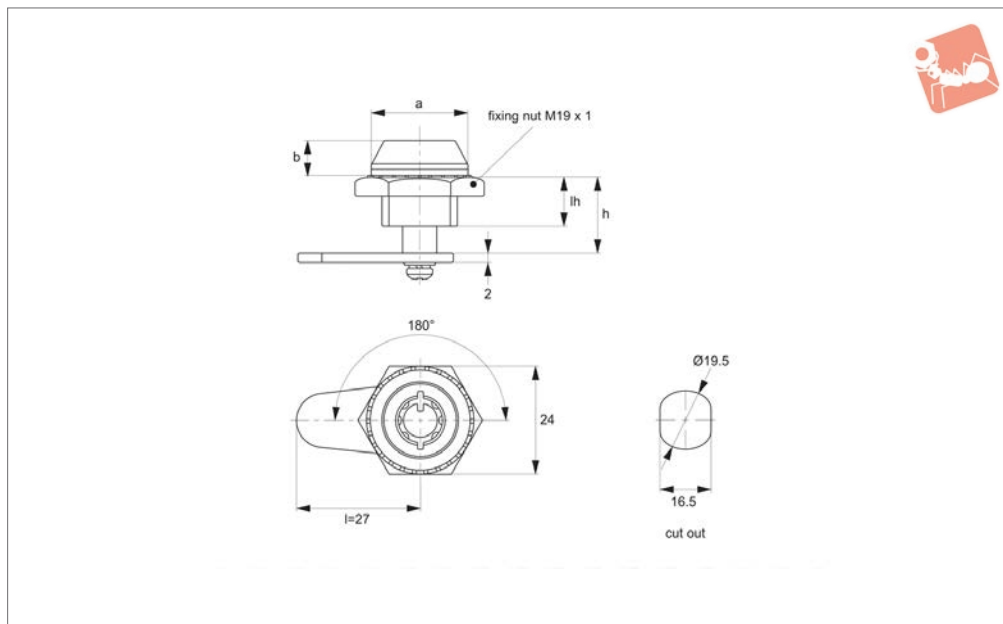
Order No.	Key type	a	b	lh
A2340.AW0010	Keyed Alike	22.0	6	15



CAM LOCKS



A2342



Material

Body & insert: zinc die cast, bright chrome plated.

Supplied with: Cam: steel, white zinc

plated. Keys: two per lock.

key offers extra security.

Tips

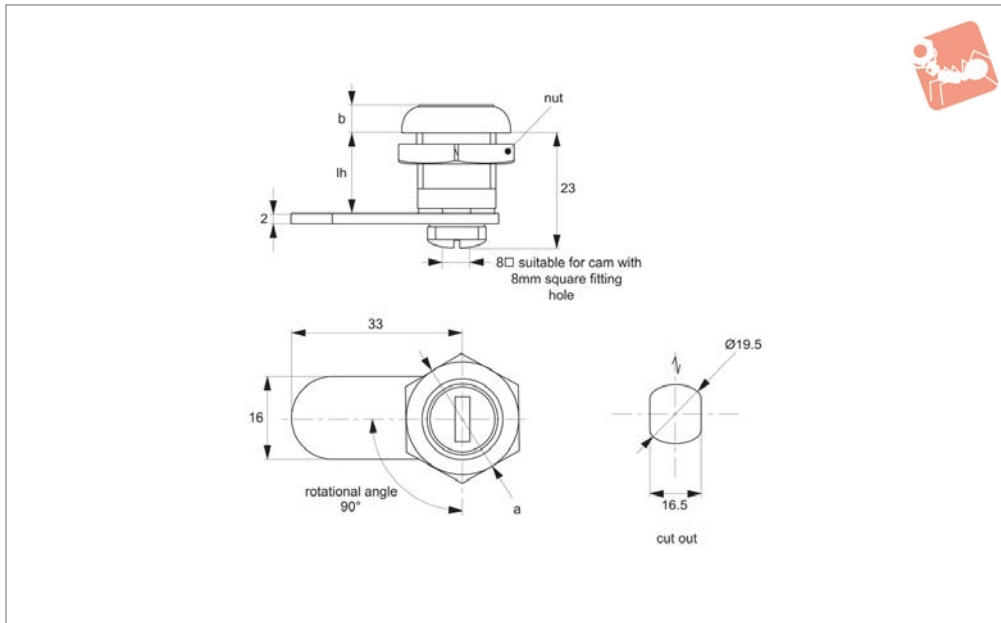
180° rotation opening and closing. Radial

Order No.	Key type	a	b	h	lh
A2342.AW0022	Radial Key	22.0	7.5	19	13



Mini Cam Lock

cam lock - fixed grip



A2383

CAM LOCKS

Material

Body & insert: die cast zinc, bright chrome plated.

Fixed grip: zinc.

Supplied with: Nuts, Cam and Keys: two per lock.

Tips

Ideal for use in metal cabinets, drawers

and machinery covers etc.

Due to compact size of cam and lock body there is no need to remove cam during installation.

Keyed to differ model has a max. 100 key combinations.

Type Three - 90° key rotation, key non-removable when in unlocked position.

Quarter-turn opening. Locks have dust cover.

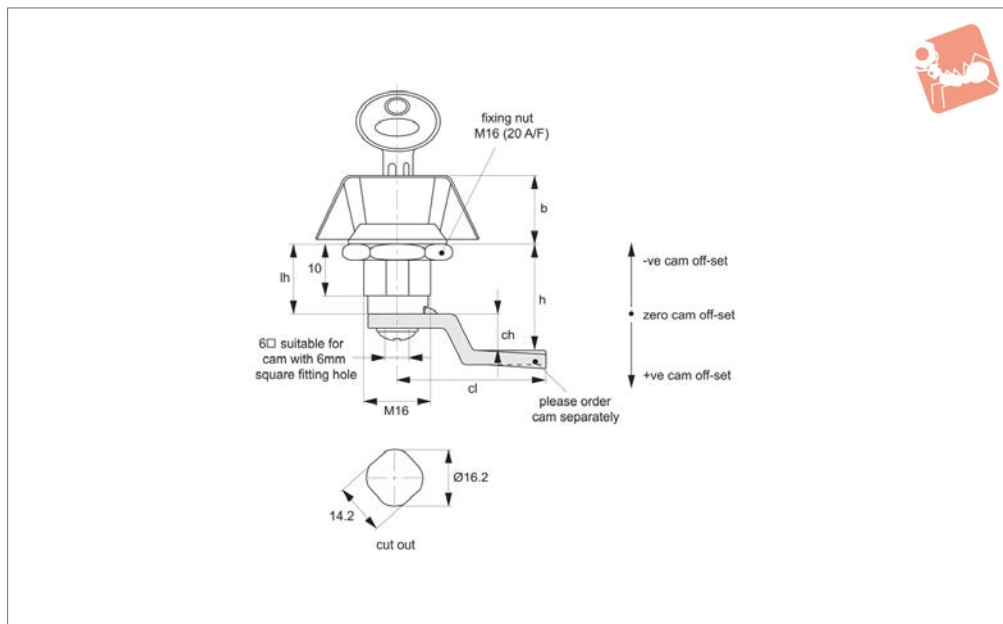
Order No.	a	b	lh
A2383.AW0010	22.0	5.5	15.5



CAM LOCKS



A2390



Material

Black painted ZDC housing and handle, white zinc plated cam.

Supplied with: Keys: two per lock. Nut - steel, zinc plated.

Not supplied: CAM - order separately.

Technical Notes

Order cam separately.

Cams: see suitable cam A0261. Select „with projection“ cam type to prevent cam rotating over 45°.

Dimensions ch and cl relate to cam. Use formula to calculate ch (required cam off-set), and refer to cam selection chart;

$ch = h - lh$ where;

ch = required cam off-set/height.

h = grip length (distance between inside of latch face and front of cam).

lh = body length of cam latch/lock to be used (see product table below).

Important Notes

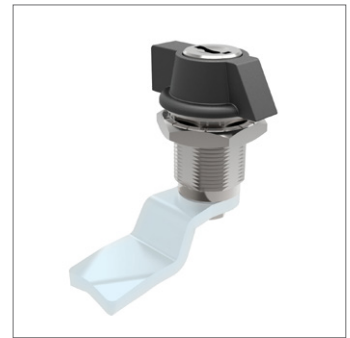
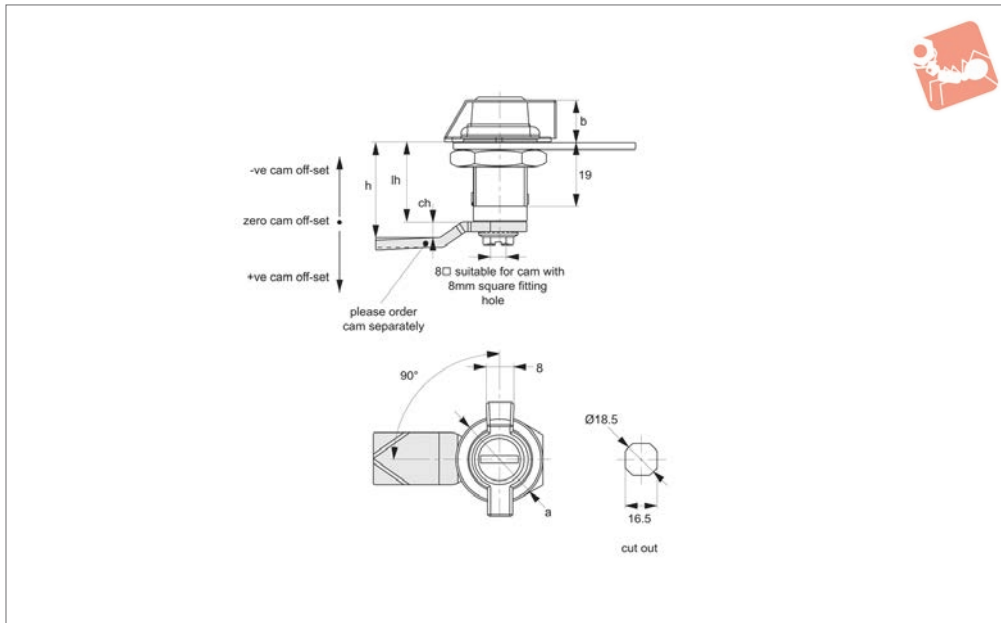
Sold subject to pack quantity.

Order No.	Key type	Type	Body finish	b	lh
A2390.AW0010	Keyed Alike	Type One	Chrome Plated	14.5	13.0
A2390.AW0020	Keyed Alike	Type Two	Black Coated	14.5	13.0



Mini Cam Locks

wing handle - fixed grip - zinc



A2392

CAM LOCKS

Material

Body & handle: die cast zinc, black coated.

Supplied With: Keys: two per lock.

Not supplied: Cam: order separately.

Technical Notes

Order cam separately.

Cams: see suitable cam A0203, A0224 and

A0240. Select „without projection“ cam type.

Dimensions ch and cl relate to cam. Use formula to calculate ch (required cam off-set), and refer to cam selection chart;

ch = h - lh where;

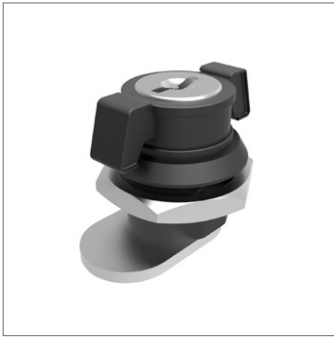
ch = required cam off-set/height.

h = grip length (distance between inside of latch face and front of cam).

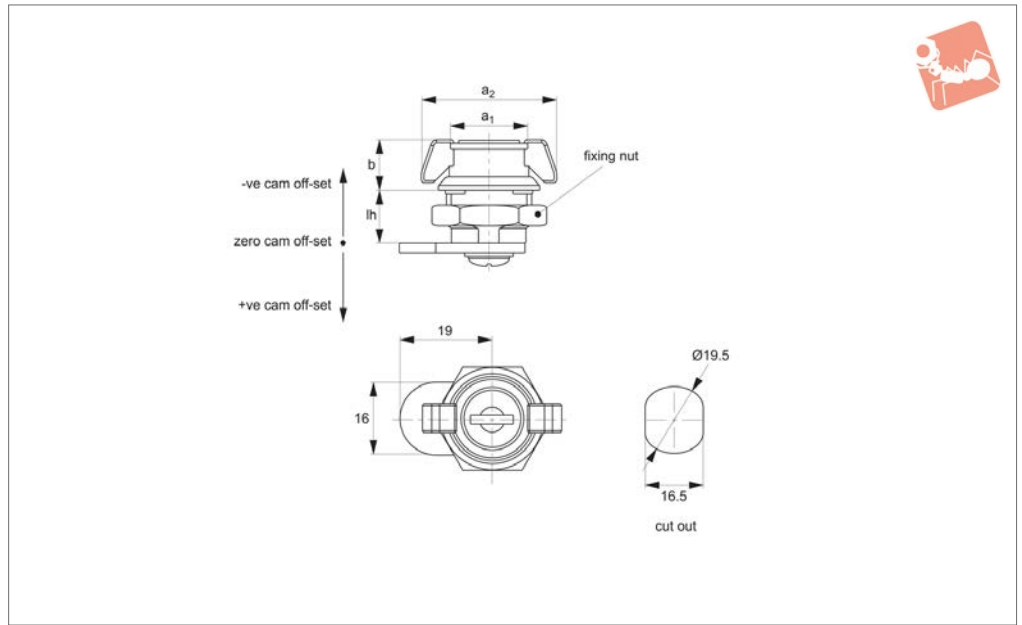
lh = body length of cam latch/lock to be used (see product table below).

Rods & Guides: to achieve 3-point latching - A0303, A0321, A0325.

Order No.	Key type	a	Body finish	b	lh
A2392.AW0010	Keyed Alike	25.0	Chrome Plated	13	24
A2392.AW0020	Keyed Alike	25.0	Black Coated	13	24



A2393



Material

Housing and insert: die cast zinc.
Cam: steel.

Supplied With: cam and keys.

Tips

Quarter-turn opening or closing. Wing knob acts as grip/handle.

Important Notes

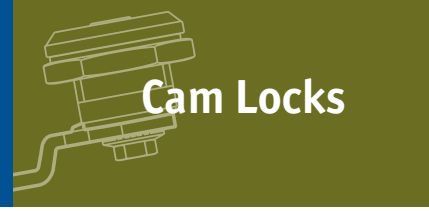
Sold subject to pack qty.

Order No.	Body finish	a_1	a_2	b	lh
A2393.AW0010	Chrome Plated	17	29.5	11	11
A2393.AW0020	Black Coated	17	29.5	11	11

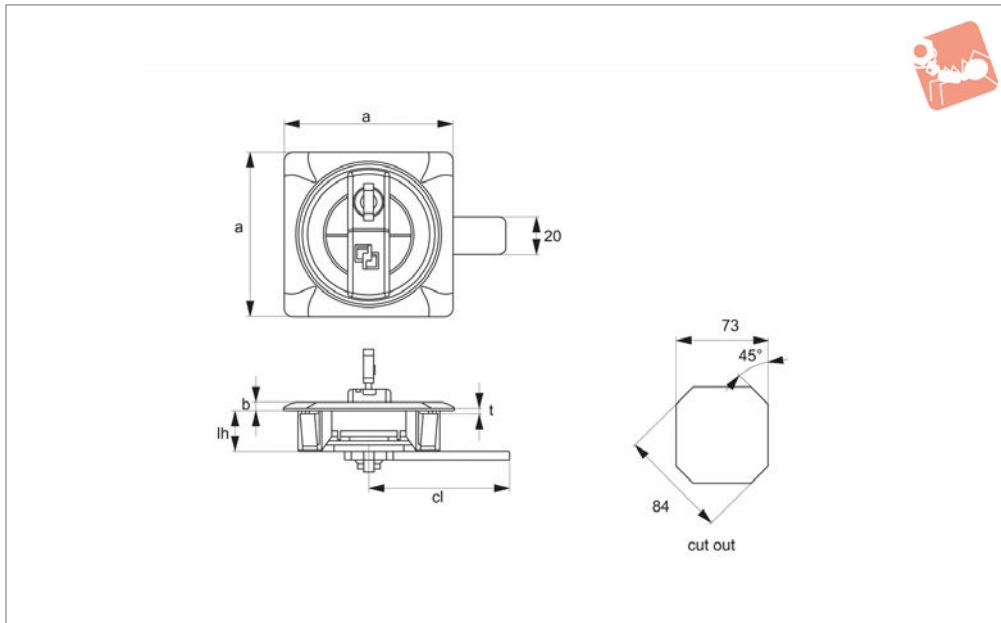


Cabinet Lock - Snap in

Recessed handle, cylinder lock, polyamide



Cam Locks



B4510

CAM LOCKS

Material

Body: Black plastic (PA6).
Handle: Zinc.

Supplied: Cam and key.

Technical Notes

For plain/flush mounted doors, as well as

electrical panels and covers.

securely mount handle.

Tips

Easy snap on fix mounting. Make cut out in panel as shown, and simply push in handle, snap on clips will spring back to

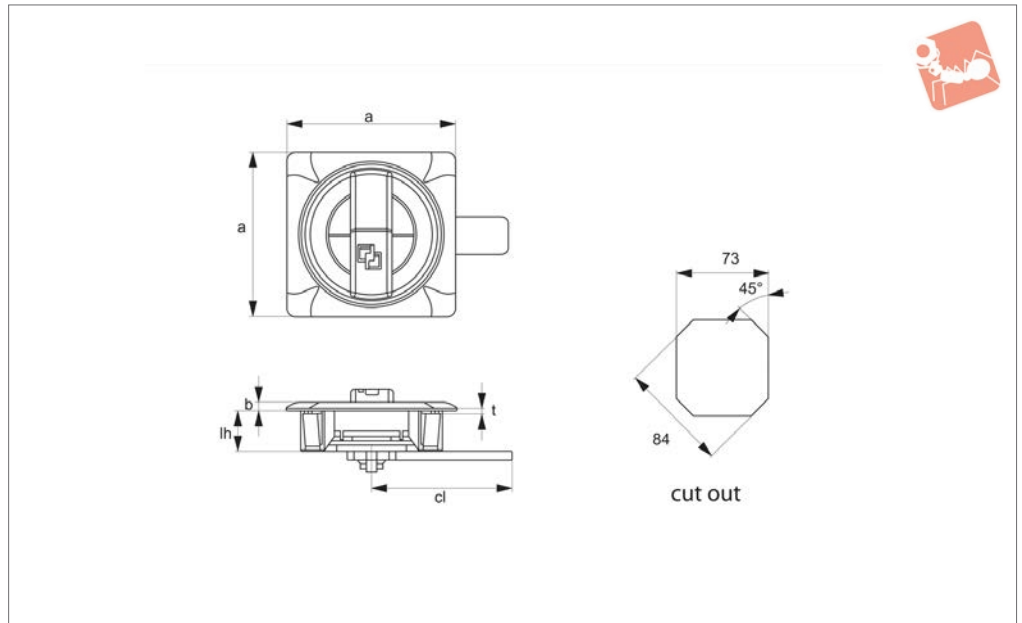
Order No.	Key type	a	b	t	cl	lh
B4510.AW0020	Keyed Alike	84	3.3	0,8-2	72	21



CAM LOCKS



B4520



Material

Body: Black plastic (PA6).
Handle: Zinc, black coated.
Supplied: Cam.

Technical Notes

For plain/flush mounted doors, as well as

electrical panels and covers.

securely mount handle.

Tips

Easy snap on fix mounting. Make cut out in panel as shown, and simply push in handle, snap on clips will spring back to

Order No.	Lock type	a	b	t	cl	lh
B4520.AW0120	No lock	85	3.3	0,8-2	72	21



Models available



Cam Latch - Flush T-Handle with rod control for multi-point latching



Cam Latch - Flush T-Handle for single point latching



Cam Latch - Flush T-Handle with adjustable grip



Cam Latch - Concealed T-Handle for electricity panels

Variety of materials

- Steel.
- Stainless steel.
- Aluminium.
- Polyamide.

Actuation/locking method

- Blank, without lock.
- Standard cylinder Lock.
- Padlockable T-Handle actuation.

Features

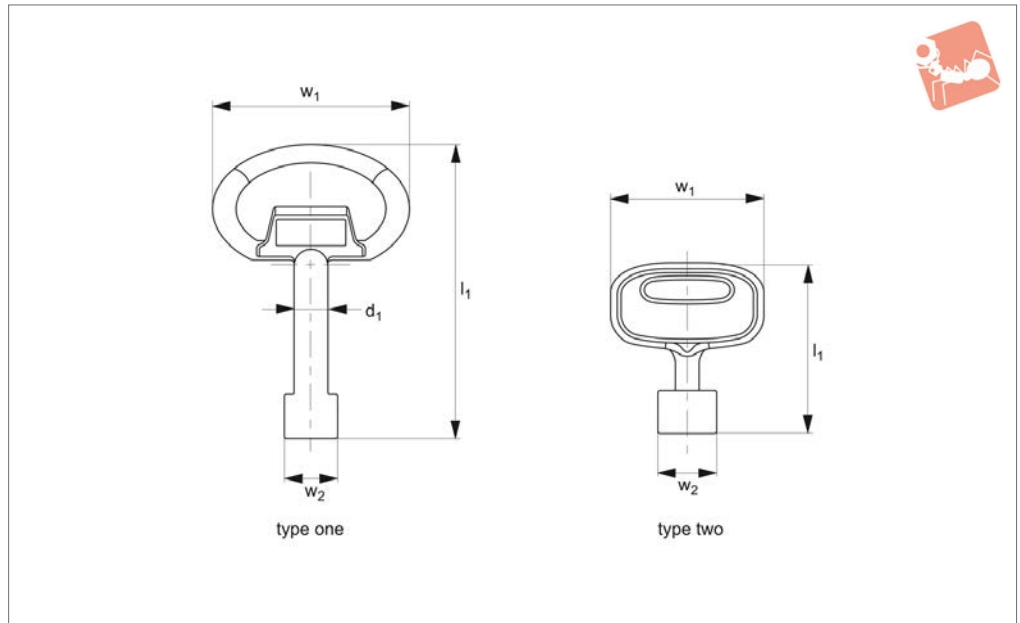
- Heating & ventilation.
- Generators.
- Compressors.
- Machine covers.

- Electric panels.
- Off-road equipment.
- Industrial transport.
- Special equipment cases.

Applications



A0102



Material

Die cast zinc.

Technical Notes

Keys for our range of cam latches. For slot

type cam latches no special key required - simply use flat head screwdriver.

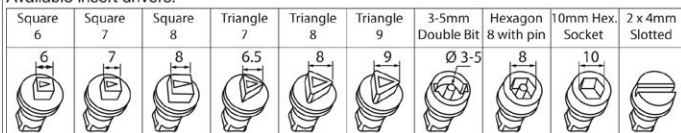
Note: For part A1661.AW0006 (Square 6) use key A0102.AW0206 only.

Important Notes

Sold subject to pack quantity.

Order No.	Insert driver	Type	d ₁	l ₁	w ₁	w ₂
A0102.AW0006	Square 6	Type One	9	74.5	49	13.8
A0102.AW0010	Square 7	Type One	9	74.5	49	13.8
A0102.AW0020	Square 8	Type One	9	74.5	49	13.8
A0102.AW0040	Triangle 7	Type One	9	74.5	49	13.8
A0102.AW0050	Triangle 8	Type One	9	74.5	49	13.8
A0102.AW0055	Triangle 9	Type One	9	74.5	49	13.8
A0102.AW0060	3mm Double Bit	Type One	9	70.0	49	13.2
A0102.AW0070	4mm Double Bit	Type One	9	74.5	49	13.8
A0102.AW0090	8mm Hex Pin	Type One	9	74.5	49	13.8
A0102.AW0100	10mm Hex Socket	Type One	9	74.5	49	13.8
A0102.AW0206	Square 6	Type two	9	32.0	30	11.0

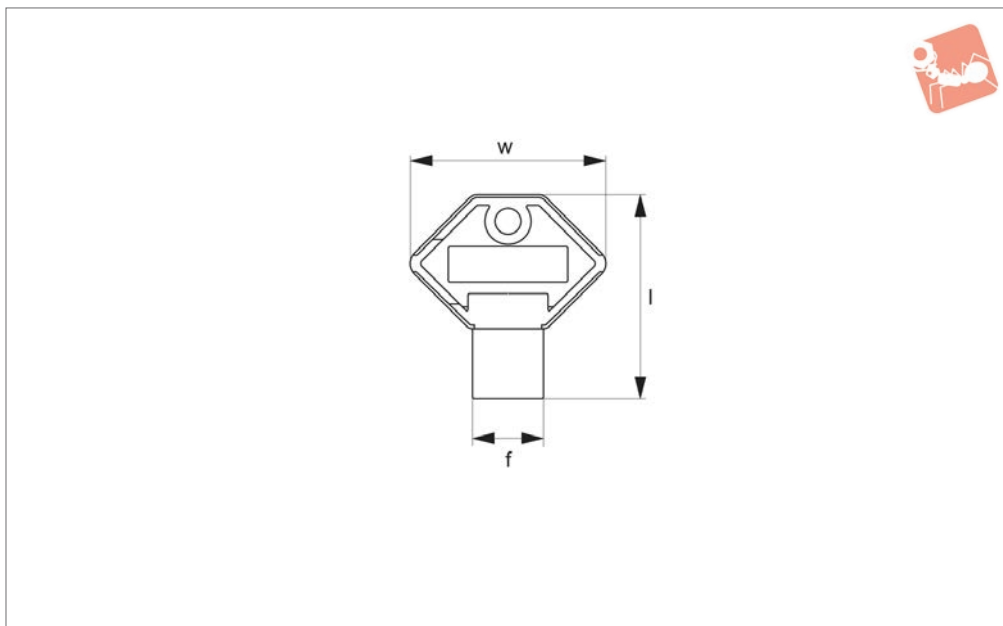
Available insert drivers:





Keys - Flexi-System for cam latches and locks - plastic

Cam Latch Accessories



A0103

CAM LATCH ACCESSORIES

Material

Body: plastic.

type cam latches no special key required - simply use flat head screwdriver.

Technical Notes

Keys for our range of cam latches. For slot

Important Notes

Sold subject to pack quantity.

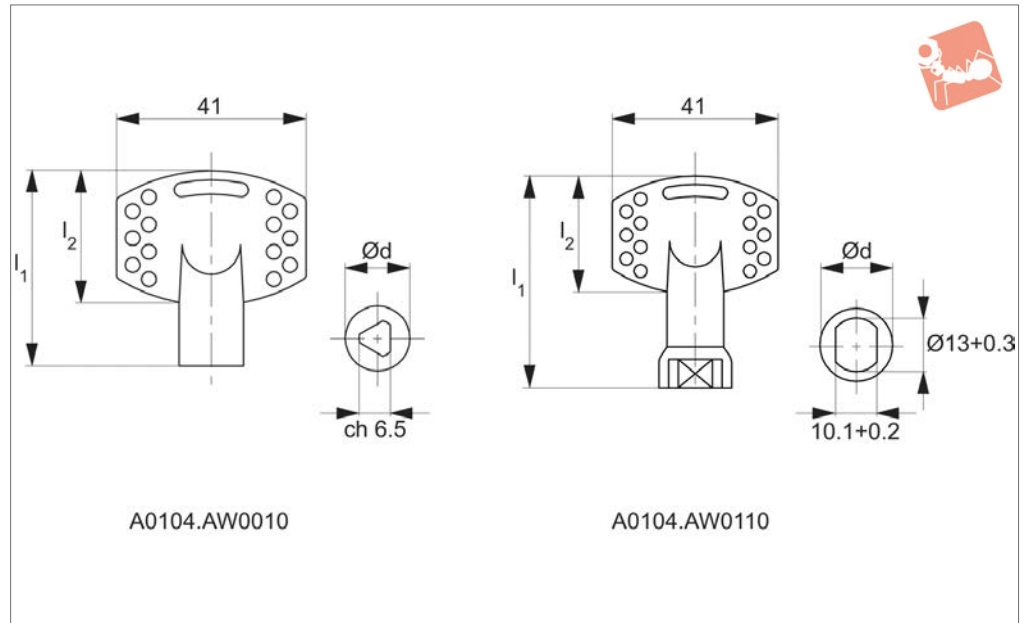
Order No.	Insert driver	f	l	w
A0103.AW0040	7mm Triangle	40	41.5	40
A0103.AW0055	9mm Triangle	40	41.5	40
A0103.AW0050	8mm Triangle	40	41.5	40
A0103.AW0006	6mm Square	40	41.5	40
A0103.AW0010	7mm Square	40	41.5	40
A0103.AW0020	8mm Square	40	41.5	40



CAM LATCH ACCESSORIES



A0104



Material

A0104.AW0010: Plastic
A0104.AW0110: Plastic handle, steel insert

Technical Notes

Keys for Hygienic line Cam Locks A1104.
Order cam and key separately.

Holes provide opportunity for lanyard to guard against theft.

Tips

Made to the high "3A" standard.
This ensures it meets the high standards required for use in food, beverage, phar-

maceutical and medical applications.
Hygienically designed for effective and easy cleaning, corrosion resistant, non-toxic.
Design precludes contamination by dirt, food particles and organic matter.

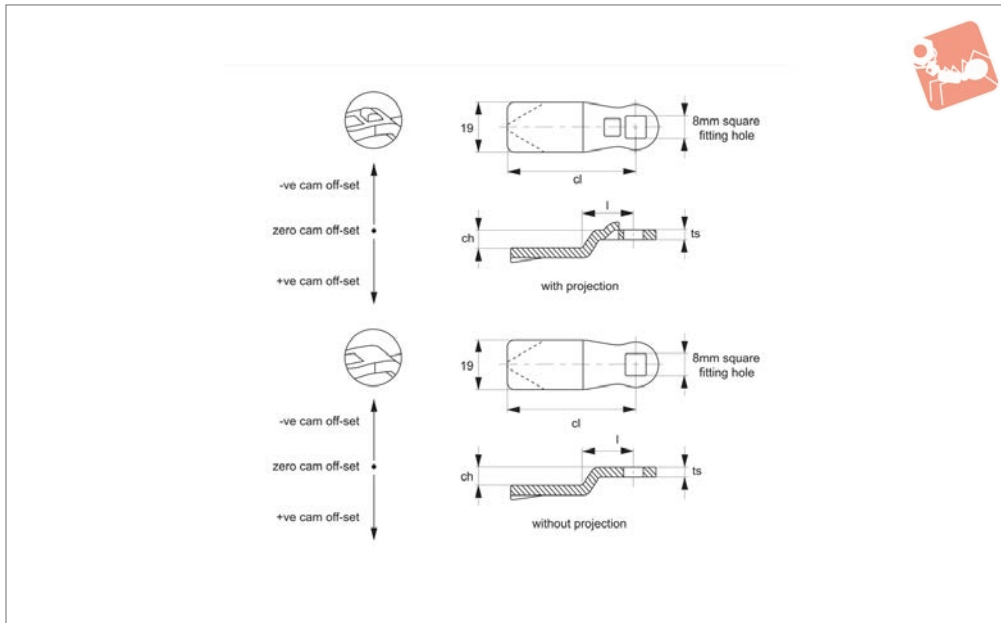
Order No.	Insert driver	d	l ₁	l ₂	w
A0104.AW0010	Triangle 7	14	42	28	41
A0104.AW0110	Stadium	18	52	28	41



Single Point Cams - Flexi-System

for cam latches and locks - steel - 8 x 8 Sq.

Cam Latch Accessories



A0203

CAM LATCH ACCESSORIES

Material

Steel, zinc plated.

Technical Notes

Use formula to calculate ch (required cam off-set), and select from product table below;

$ch = h - lh$ where;

ch = required cam off-set/height.

h = grip length (distance between inside of latch face and front of cam).

lh = body length of cam latch/lock to be used (see individual latch/lock product table).

Refer to installation drawing below.

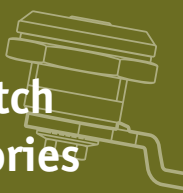
Important Notes

Suitable for Flexi-System latches. „With projection“ type ensures correct location and prevents cam rotating over 45°. See **cam selection chart for specific latch/lock suitability.**

Sold subject to pack quantity.

Order No.	Type	ch	cl	ts	Where lh = 18	Where lh = 18,5	Where lh = 20	Where lh = 24	Where lh = 30	Where lh = 40	Where lh = 50	Where lh = 60
A0203.AW0300	With Projection	0	35	3	18,5	20,0	24,0	30	40	50	60	52
A0203.AW0302	With Projection	2	35	3	20,5	22,0	26,0	32	42	52	62	52
A0203.AW0304	With Projection	4	35	3	22,5	24,0	28,0	34	44	54	64	52
A0203.AW0308	With Projection	8	35	3	26,5	28,0	32,0	38	48	58	68	52
A0203.AW0310	With Projection	10	35	3	28,5	30,0	34,0	40	50	60	70	52
A0203.AW0400	With Projection	0	45	3	18,0	18,5	20,0	24	30	40	50	60
A0203.AW0402	With Projection	2	45	3	20,5	22,0	26,0	32	42	52	62	52
A0203.AW0403	With Projection	3	45	3	21,0	21,5	23,0	27	33	43	53	63
A0203.AW0404	With Projection	4	45	3	22,0	22,5	24,0	28	34	44	54	64
A0203.AW0406	With Projection	6	45	3	24,0	24,5	26,0	30	36	46	56	66
A0203.AW0407	With Projection	7	45	3	25,0	25,5	27,0	31	37	47	57	67
A0203.AW0408	With Projection	8	45	3	26,0	26,5	28,0	32	38	48	58	68
A0203.AW0410	With Projection	10	45	3	28,0	28,5	30,0	34	40	50	60	70
A0203.AW0412	With Projection	12	45	3	30,0	30,5	32,0	36	42	52	62	72
A0203.AW0414	With Projection	14	45	3	32,0	32,5	34,0	38	44	54	64	74
A0203.AW0416	With Projection	16	45	3	34,0	34,5	36,0	40	46	56	66	76
A0203.AW0418	With Projection	18	45	3	36,0	36,5	38,0	42	48	58	68	78
A0203.AW0420	With Projection	20	45	3	38,0	38,5	40,0	44	50	60	70	80
A0203.AW1302	With Projection	-2	35	3	16,5	18,0	22,0	28	38	48	58	52
A0203.AW1402	With Projection	-2	45	3	16,0	16,5	18,0	22	28	38	48	58
A0203.AW1404	With Projection	-4	45	3	14,5	16,0	20,0	26	36	46	56	52
A0203.AW1406	With Projection	-6	45	3	12,5	14,0	18,0	24	34	44	54	52
A0203.AW1408	With Projection	-8	45	3	10,5	12,0	16,0	22	32	42	52	52
A0203.AW5300	W/o Projection	0	35	4	18,0	18,5	20,0	24	30	40	50	60
A0203.AW5302	W/o Projection	2	35	4	20,0	20,5	22,0	26	32	42	52	62
A0203.AW5304	W/o Projection	4	35	4	22,0	22,5	24,0	28	34	44	54	64
A0203.AW5306	W/o Projection	6	35	4	24,0	24,5	26,0	30	36	46	56	66
A0203.AW5310	W/o Projection	10	35	4	28,0	28,5	30,0	34	40	50	60	70
A0203.AW5400	W/o Projection	0	45	3	18,0	18,5	20,0	24	30	40	50	60
A0203.AW5402	W/o Projection	2	45	3	20,0	20,5	22,0	26	32	42	52	62

Cam Latch Accessories



Single Point Cams - Flexi-System for cam latches and locks - steel - 8 x 8 Sq.



CAM LATCH ACCESSORIES

Order No.	Type	ch	cl	ts	Where lh = 18	Where lh = 18,5	Where lh = 20	Where lh = 24	Where lh = 30	Where lh = 40	Where lh = 50	Where lh = 60
A0203.AW5403	W/o Projection	3	45	21	21,5	23,0	27,0	33	43	53	63	52
A0203.AW5404	W/o Projection	4	45	3	22,0	22,5	24,0	28	34	44	54	64
A0203.AW5406	W/o Projection	6	45	3	24,0	24,5	26,0	30	36	46	56	66
A0203.AW5407	W/o Projection	7	45	3	25,0	25,5	27,0	31	37	47	57	67
A0203.AW5408	W/o Projection	8	45	3	26,0	26,5	28,0	32	38	48	58	68
A0203.AW5410	W/o Projection	10	45	3	28,0	28,5	30,0	34	40	50	60	70
A0203.AW5412	W/o Projection	12	45	3	30,0	30,5	32,0	36	42	52	62	72
A0203.AW5414	W/o Projection	14	45	3	32,0	32,5	34,0	38	44	54	64	74
A0203.AW5416	W/o Projection	16	45	3	34,0	34,5	36,0	40	46	56	66	76
A0203.AW5418	W/o Projection	18	45	3	36,0	36,5	38,0	42	48	58	68	78
A0203.AW5420	W/o Projection	20	45	3	38,0	38,5	40,0	44	50	60	70	80
A0203.AW6302	W/o Projection	-2	35	4	16,0	16,5	18,0	22	28	38	48	64
A0203.AW6402	W/o Projection	-2	45	3	16,0	16,5	18,0	22	28	38	48	58
A0203.AW6404	W/o Projection	-4	45	4	14,0	14,5	16,0	20	26	36	46	56
A0203.AW6406	W/o Projection	-6	45	4	12,0	12,5	14,0	18	24	34	44	54
A0203.AW6408	W/o Projection	-8	45	4	10,5	12,0	16,0	22	32	42	52	52
A0203.AW6494	With Projection	-4	45	14	14,5	16,0	20,0	26	36	46	56	52
A0203.AW6496	With Projection	-6	45	12	12,5	14,0	18,0	24	34	44	54	52
A0203.AW6498	With Projection	-8	45	10	10,5	12,0	16,0	22	32	42	52	52
A0203.AW0305	With Projection	5	35	4	23,0	23,5	25,0	29	35	45	55	65
A0203.AW1304	With Projection	-4	35	4	14,0	14,5	14,5	20	26	36	46	56
A0203.AW1306	With Projection	-6	35	4	12,0	12,5	12,5	18	24	34	44	54
A0203.AW1308	With Projection	-8	35	4	10	10,5	10,5	16	22	32	42	52
A0203.AW1314	With Projection	-14	35	4	4,0	4,5	4,5	10	16	26	36	46
A0203.AW5308	W/o Projection	8	35	3	26,0	26,5	26,5	32	38	48	58	68
A0203.AW5312	W/o Projection	12	35	4	30,0	30,5	30,5	36	42	52	62	72
A0203.AW5314	W/o Projection	14	35	3	32,0	32,5	32,5	38	44	54	64	74
A0203.AW5318	W/o Projection	18	35	3	36,0	36,5	36,5	42	48	58	68	78
A0203.AW5322	W/o Projection	22	35	4	40,0	40,5	40,5	46	52	62	72	82
A0203.AW5324	W/o Projection	24	35	3	42,0	42,5	42,5	48	54	64	74	84
A0203.AW5326	W/o Projection	26	35	4	44,0	44,5	44,5	50	56	66	76	86
A0203.AW5328	W/o Projection	28	35	3	46,0	46,5	46,5	52	58	68	78	88
A0203.AW5360	W/o Projection	30	35	4	48,0	48,5	48,5	54	60	70	80	90
A0203.AW6301	W/o Projection	-1	35	3	17,0	17,5	17,5	23	29	39	49	59
A0203.AW6306	W/o Projection	-6	35	3	12,0	12,5	12,5	18	24	34	44	54
A0203.AW6308	W/o Projection	-8	35	3	10,0	10,5	10,5	16	22	32	42	52
A0203.AW6310	W/o Projection	-10	35	4	8,0	8,5	8,5	14	20	30	40	50
A0203.AW6314	W/o Projection	-14	35	3	4,0	4,5	4,5	10	16	26	36	46
A0203.AW6316	W/o Projection	-16	35	4	2,0	2,5	2,5	8	14	24	34	44
A0203.AW5422	W/o Projection	22	45	3,4	40,0	40,5	42,0	46	52	62	72	82
A0203.AW5424	W/o Projection	24	45	3,4	42,0	42,5	44,0	48	54	64	74	84
A0203.AW5426	W/o Projection	26	45	3,4	44,0	44,5	46,0	50	56	66	76	86
A0203.AW5428	W/o Projection	28	45	3	46,0	46,5	48,0	52	58	68	78	88
A0203.AW5430	W/o Projection	30	45	3,4	48,0	48,5	50,0	54	60	70	80	90
A0203.AW5432	W/o Projection	32	45	3,4	50,0	50,5	52,0	56	62	72	82	92
A0203.AW5434	W/o Projection	34	45	3,4	52,0	52,5	54,0	58	64	74	84	94
A0203.AW6410	W/o Projection	-10	45	3,4	8,0	8,5	10,0	14	20	30	40	50
A0203.AW6412	W/o Projection	-12	45	3,4	6,0	6,5	8,0	12	18	28	38	48
A0203.AW6414	W/o Projection	-14	45	3,4	4,0	4,5	6,0	10	16	26	36	46
A0203.AW6416	W/o Projection	-16	45	3,4	2,0	2,5	4,0	8	14	24	34	44
A0203.AW6418	W/o Projection	-18	45	3,4		0,5	2,0	6	12	22	32	42
A0203.AW6420	W/o Projection	-20	45	3,4	-2,0	-1,5		4	10	20	30	40
A0203.AW6422	W/o Projection	-22	45	3,4	-4,0	-3,5	-2,0	2	8	18	28	38
A0203.AW6424	W/o Projection	-24	45	3	-6,0	-5,5	-4,0	0	6	16	26	36
A0203.AW0422	With Projection	22	45	3,4	40,0	40,5	42,0	46	52	62	72	82
A0203.AW0424	With Projection	24	45	4	42,0	42,5	44,0	48	54	64	74	84
A0203.AW0426	With Projection	26	45	4	44,0	44,5	46,0	50	56	66	76	86
A0203.AW0428	With Projection	28	45	4	46,0	46,5	48,0	52	58	68	78	88
A0203.AW0432	With Projection	32	45	3	50,0	50,5	52,0	56	62	72	82	92
A0203.AW1410	With Projection	-10	45	4	8,0	8,5	10,0	14	20	30	40	50
A0203.AW1412	With Projection	-12	45	4	6,0	6,5	8,0	12	18	28	38	48
A0203.AW1414	With Projection	-14	45	4	4,0	4,5	6,0	10	16	26	36	46
A0203.AW1420	With Projection	-20	45	4	-2,0	-1,5		4	10	20	30	40
A0203.AW1422	With Projection	-22	45	4	-4,0	-3,5	-2,0	2	8	18	28	38
A0203.AW1426	With Projection	-26	45	4	-8,0	-7,5	-6,0	-2	4	14	24	34



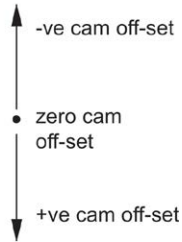
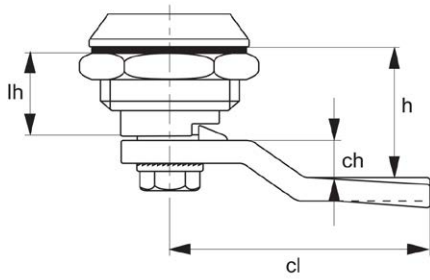
Single Point Cams - Flexi-System

for cam latches and locks - steel - 8 x 8 Sq.



Cam Latch Accessories

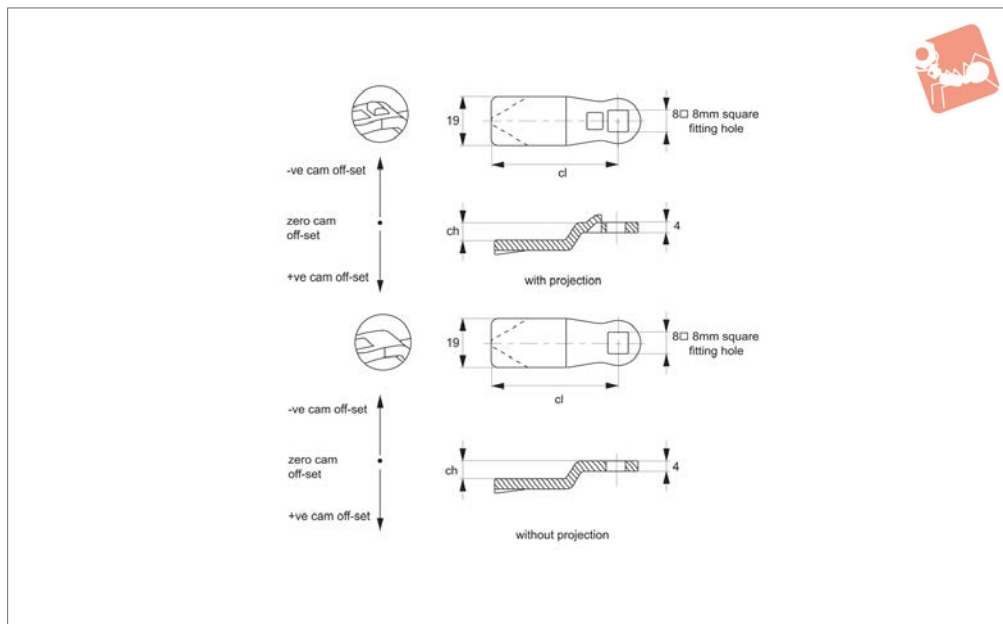
Order No.	Type	ch	cl	ts	Where lh = 18	Where lh = 18,5	Where lh = 20	Where lh = 24	Where lh = 30	Where lh = 40	Where lh = 50	Where lh = 60
A0203.AW1428	With Projection	-28	45	4	-10,0	-,5	-8,0	-4	2	12	22	32



CAM LATCH ACCESSORIES



A0210



Material

Stainless steel, AISI 304.

Technical Notes

Use formula to calculate ch (required cam off-set), and select from product table below;

$ch = h - lh$ where;

ch = required cam off-set/height.

h = grip length (distance between inside of latch face and front of cam).

lh = body length of cam latch/lock to be used (see individual latch/lock product table).

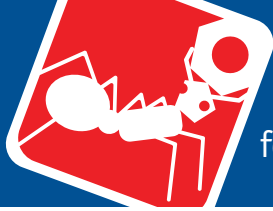
Refer to installation drawing below.

Important Notes

Suitable for Flexi-System latches. „With projection“ type ensures correct location and prevents cam rotating over 45°. **See cam selection chart for specific latch/lock suitability.**

Sold subject to pack quantity.

Order No.	Type	ch	cl	Where lh = 18 h =	Where lh = 18,5 h =
A0210.AW0400	With Projection	0	45	18	18,5
A0210.AW0420	Without Projection	0	45	18	18,5
A0210.AW0402	With Projection	2	45	20	20,5
A0210.AW0423	Without Projection	2	45	20	20,5
A0210.AW0404	With Projection	4	45	22	22,5
A0210.AW0424	Without Projection	4	45	22	22,5
A0210.AW0406	With Projection	6	45	24	24,5
A0210.AW0426	Without Projection	6	45	24	24,5
A0210.AW0408	With Projection	8	45	26	26,5
A0210.AW0428	Without Projection	8	45	26	26,5
A0210.AW0410	With Projection	10	45	28	28,5
A0210.AW0430	Without Projection	10	45	28	28,5
A0210.AW0412	With Projection	12	45	30	30,5
A0210.AW0432	Without Projection	12	45	30	30,5
A0210.AW0434	Without Projection	14	45	32	32,5
A0210.AW0436	Without Projection	16	45	34	34,5
A0210.AW0438	Without Projection	18	45	36	36,5
A0210.AW0500	With Projection	20	45	38	38,5
A0210.AW0520	Without Projection	20	45	38	38,5
A0210.AW0422	With Projection	22	45	40	40,5
A0210.AW5422	Without Projection	22	45	40	40,5
A0210.AW0524	With Projection	24	45	22	22,5
A0210.AW5424	Without Projection	24	45	42	42,5
A0210.AW0526	With Projection	26	45	24	24,5
A0210.AW5426	Without Projection	26	45	44	44,5
A0210.AW0528	With Projection	28	45	26	26,5
A0210.AW5428	Without Projection	28	45	46	46,5
A0210.AW5430	Without Projection	30	45	48	48,5
A0210.AW0532	With Projection	32	45	30	30,5
A0210.AW5432	Without Projection	32	45	50	50,5



Single Point Cams - Flexi-System

for cam latches and locks - stainless steel - 8 x 8 Sq.



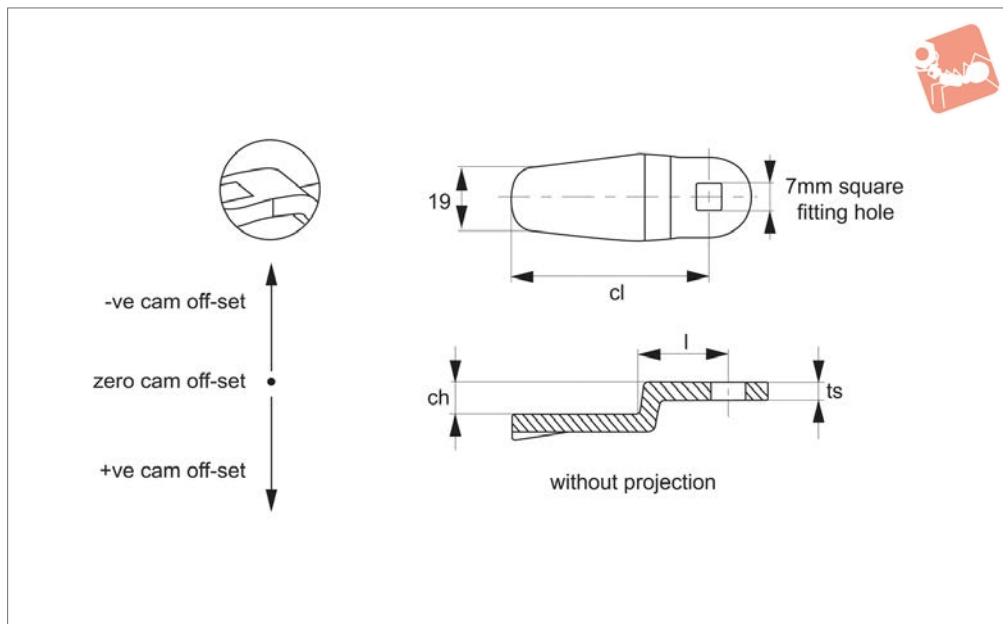
Order No.	Type	ch	cl	Where lh = 18 h =	Where lh = 18,5 h =
A0210.AW5434	Without Projection	34	45	52	52.5
A0210.AW0002	Without Projection	-2	45	16	16.5
A0210.AW6304	Without Projection	-4	35	14	14.5
A0210.AW6410	With Projection	-10	45	8	8.5
A0210.AW1410	Without Projection	-10	45	8	8.5
A0210.AW1412	With Projection	-12	45	6	6.5
A0210.AW6412	Without Projection	-12	45	6	6.5
A0210.AW1414	With Projection	-14	45	4	4.5
A0210.AW6414	Without Projection	-14	45	4	4.5
A0210.AW6416	Without Projection	-16	45	2	2.5
A0210.AW6418	Without Projection	-18	45	0	0.5
A0210.AW1420	With Projection	-20	45	-2	-1.5
A0210.AW6420	Without Projection	-20	45	-2	-1.5
A0210.AW1422	With Projection	-22	45	-4	-3.5
A0210.AW6422	Without Projection	-22	45	-4	-3.5
A0210.AW6424	Without Projection	-24	45	-6	-5.5
A0210.AW1426	With Projection	-26	45	-8	-7.5
A0210.AW1428	Without Projection	-28	45	-10	-9.5

Order No.	Where lh = 20 h =	Where lh = 25 h =	Where lh = 30 h =	Where lh = 40 h =	Where lh = 50 h =	Where lh = 60 h =
A0210.AW0400	20	25	30	40	50	60
A0210.AW0420	20	25	30	40	50	60
A0210.AW0402	22	27	32	42	52	62
A0210.AW0423	22	27	32	42	52	62
A0210.AW0404	24	29	34	44	54	64
A0210.AW0424	24	29	34	44	54	64
A0210.AW0406	26	31	36	46	56	66
A0210.AW0426	26	31	36	46	56	66
A0210.AW0408	28	33	38	48	58	68
A0210.AW0428	28	33	38	48	58	68
A0210.AW0410	30	35	40	50	60	70
A0210.AW0430	30	35	40	50	60	70
A0210.AW0412	32	37	42	52	62	72
A0210.AW0432	32	37	42	52	62	72
A0210.AW0434	34	39	44	54	64	74
A0210.AW0436	36	41	46	56	66	76
A0210.AW0438	38	43	48	58	68	78
A0210.AW0500	40	45	50	60	70	80
A0210.AW0520	40	45	50	60	70	80
A0210.AW0422	42	47	52	62	72	82
A0210.AW5422	42	47	52	62	72	82
A0210.AW0524	24	29	34	44	54	64
A0210.AW5424	44	49	54	64	74	84
A0210.AW0526	26	31	36	46	56	66
A0210.AW5426	46	51	56	66	76	86
A0210.AW0528	28	33	38	48	58	68
A0210.AW5428	48	53	58	68	78	88
A0210.AW5430	50	55	60	70	80	90
A0210.AW0532	32	37	42	52	62	72
A0210.AW5432	52	57	62	72	82	92
A0210.AW5434	54	59	64	74	84	94
A0210.AW0002	18	23	28	38	48	58
A0210.AW6304	16	21	26	36	46	56
A0210.AW6410	10	15	20	30	40	50
A0210.AW1410	10	15	20	30	40	50
A0210.AW1412	8	13	18	28	38	48
A0210.AW6412	8	13	18	28	38	48
A0210.AW1414	6	11	16	26	36	46
A0210.AW6414	6	11	16	26	36	46
A0210.AW6416	4	9	14	24	34	44
A0210.AW6418	2	7	12	22	32	42
A0210.AW1420	0	5	10	20	30	40
A0210.AW6420	0	5	10	20	30	40
A0210.AW1422	-2	3	8	18	28	38
A0210.AW6422	-2	3	8	18	28	38
A0210.AW6424	-4	1	6	16	26	36
A0210.AW1426	-6	-1	4	14	24	34
A0210.AW1428	-8	-3	2	12	22	32

CAM LATCH ACCESSORIES



A0215



Material

Steel, zinc plated.

Technical Notes

Use formula to calculate ch (required cam off-set), and select from product table below;

$ch = h - lh$ where;

ch = required cam off-set/height.

h = grip length (distance between inside of latch face and front of cam).

lh = body length of cam latch/lock to be used (see individual latch/lock product

table).

Refer to installation drawing below.

Important Notes

See cam selection chart for specific latch/lock suitability.

Sold subject to pack quantity.

Order No.	Type	ch	cl	ts	Where lh = 18 h =
A0215.AW5400	W/o Projection	0	45	3	18
A0215.AW5402	W/o Projection	2	45	3	20
A0215.AW5404	W/o Projection	4	45	3	22
A0215.AW5406	W/o Projection	6	45	3	24
A0215.AW5407	W/o Projection	7	45	3	25
A0215.AW5408	W/o Projection	8	45	3	26
A0215.AW5410	W/o Projection	10	45	3	28
A0215.AW5412	W/o Projection	12	35	3	30
A0215.AW5414	W/o Projection	14	45	3	32
A0215.AW5417	W/o Projection	17	45	3	35
A0215.AW5416	W/o Projection	16	45	3	34
A0215.AW5418	W/o Projection	18	45	3	36
A0215.AW5420	W/o Projection	20	45	3	38
A0215.AW5305	W/o Projection	5	35	3	23
A0215.AW5306	W/o Projection	6	35	3	24
A0215.AW5310	W/o Projection	10	35	3	28
A0215.AW5312	W/o Projection	12	35	3	30
A0215.AW5315	W/o Projection	15	35	3	33
A0215.AW5320	W/o Projection	20	35	3	38

Order No. Where lh = 18,5 h =Where lh = 20 h =Where lh = 24 h =Where lh = 30 h =Where lh = 40 h =Where lh = 50 h =Where lh = 60 h =

A0215.AW5400	18.5	20	24	30	40	50	60
A0215.AW5402	20.5	22	26	32	42	52	62
A0215.AW5404	22.5	24	28	34	44	54	64
A0215.AW5406	24.5	26	30	36	46	56	66
A0215.AW5407	25.5	27	31	37	47	57	67
A0215.AW5408	26.5	28	32	38	48	58	68
A0215.AW5410	28.5	30	34	40	50	60	70
A0215.AW5412	30.5	32	36	42	52	62	72
A0215.AW5414	32.5	34	38	44	54	64	74



Single Point Cams - Flexi-System - 7 x

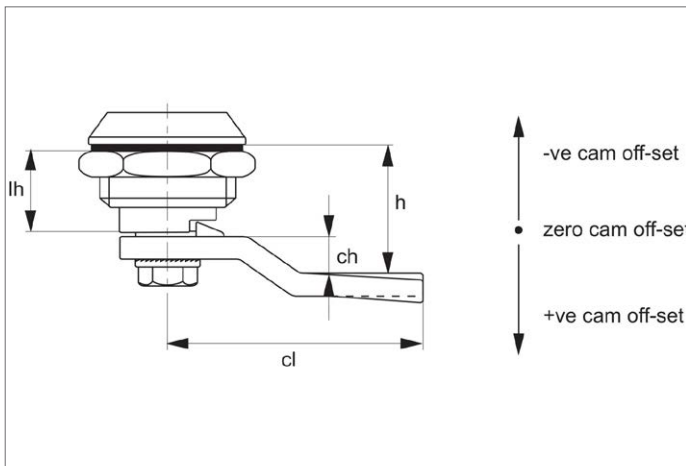
for cam latches and locks - steel

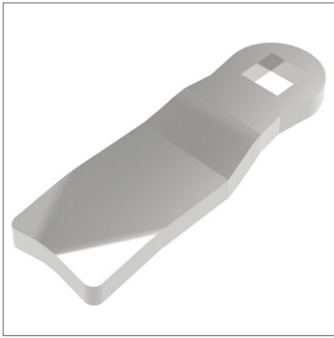


CAM LATCH ACCESSORIES

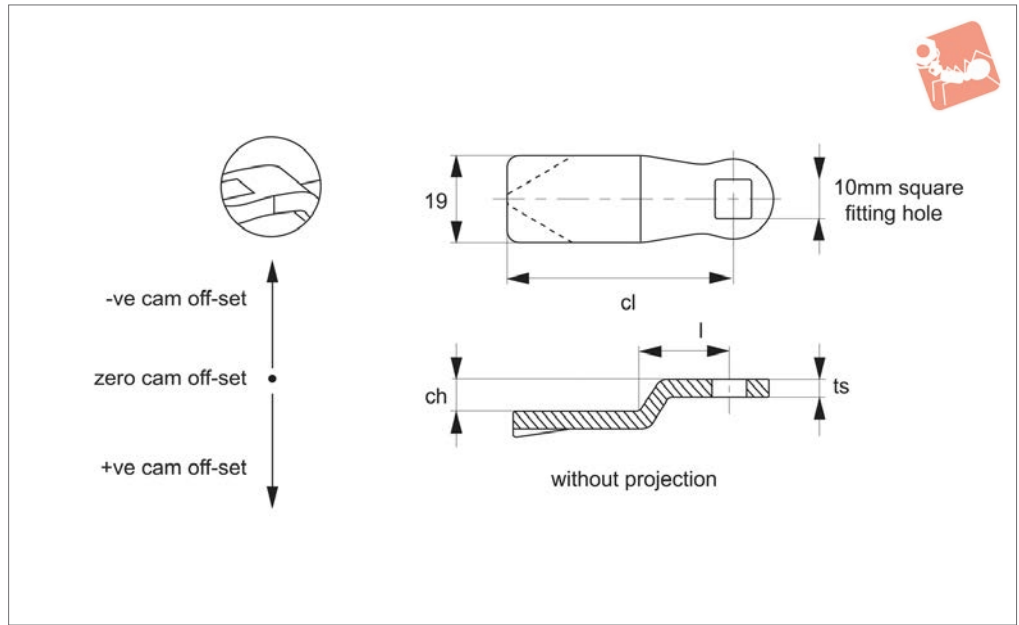
Order No. Where lh = 18,5 h =Where lh = 20 h =Where lh = 24 h =Where lh = 30 h =Where lh = 40 h =Where lh = 50 h =Where lh = 60 h =

A0215.AW5417	35.5	37	41	47	57	67	77
A0215.AW5416	34.5	36	40	46	56	66	76
A0215.AW5418	36.5	38	42	48	58	68	78
A0215.AW5420	38.5	40	44	50	60	70	80
A0215.AW5305	23.5	25	29	35	45	55	65
A0215.AW5306	24.5	26	30	36	46	56	66
A0215.AW5310	28.5	30	34	40	50	60	70
A0215.AW5312	30.5	32	36	42	52	62	72
A0215.AW5315	33.5	35	39	45	55	65	75
A0215.AW5320	38.5	40	44	50	60	70	80





A0216



Material

Steel, zinc plated.

Technical Notes

Use formula to calculate ch (required cam off-set), and select from product table below;

$ch = h - lh$ where;

ch = required cam off-set/height.

h = grip length (distance between inside of latch face and front of cam).

lh = body length of cam latch/lock to be used (see individual latch/lock product

table).

Refer to installation drawing below.

Important Notes

See cam selection chart for specific latch/lock suitability.

Sold subject to pack quantity.

Order No.	Type	ch	cl	ts	Where lh = 18 h =
A0216.AW6406	W/o Projection	-6	45	3	12
A0216.AW6410	W/o Projection	-10	45	3	8
A0216.AW5500	W/o Projection	0	50	3	18
A0216.AW5507	W/o Projection	7	50	3	25
A0216.AW5508	W/o Projection	8	50	3	26
A0216.AW5510	W/o Projection	10	50	3	28
A0216.AW5514	W/o Projection	14	50	3	32
A0216.AW5520	W/o Projection	20	50	3	38
A0216.AW6506	W/o Projection	-6	50	3	12
A0216.AW5400	W/o Projection	0	45	3	18
A0216.AW5403	W/o Projection	3	45	3	21
A0216.AW5409	W/o Projection	9	45	3	27
A0216.AW5410	W/o Projection	10	45	3	28
A0216.AW5412	W/o Projection	12	45	3	30
A0216.AW5420	W/o Projection	20	45	3	38

Order No. Where lh = 18,5 h =Where lh = 20 h =Where lh = 24 h =Where lh = 30 h =Where lh = 40 h =Where lh = 50 h =Where lh = 60 h =

A0216.AW6406	12.5	14	18	24	34	44	54
A0216.AW6410	8.5	10	14	20	30	40	50
A0216.AW5500	18.5	20	24	30	40	50	60
A0216.AW5507	25.5	27	31	37	47	57	67
A0216.AW5508	26.5	28	32	38	48	58	68
A0216.AW5510	28.5	30	34	40	50	60	70
A0216.AW5514	32.5	34	38	44	54	64	74
A0216.AW5520	38.5	40	44	50	60	70	80
A0216.AW6506	12.5	14	18	24	34	44	54
A0216.AW5400	18.5	20	24	30	40	50	60
A0216.AW5403	21.5	23	27	33	43	53	63
A0216.AW5409	27.5	29	33	39	49	59	69
A0216.AW5410	28.5	30	34	40	50	60	70



Single Point Cams - Flexi-System - 10

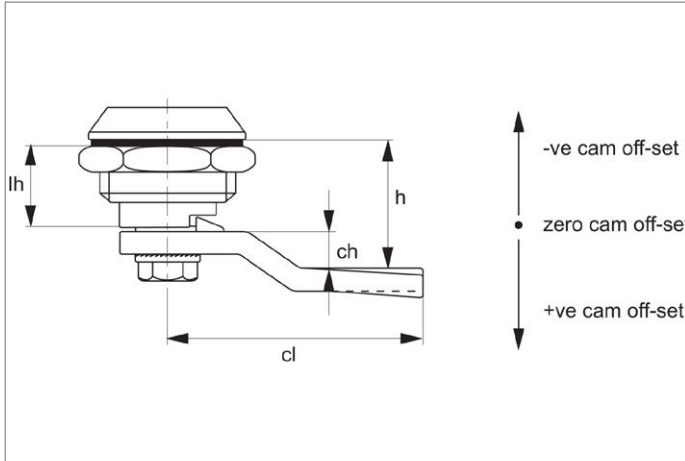
for cam latches and locks - steel



Cam Latch Accessories

Order No. Where lh = 18,5 h =Where lh = 20 h =Where lh = 24 h =Where lh = 30 h =Where lh = 40 h =Where lh = 50 h =Where lh = 60 h =

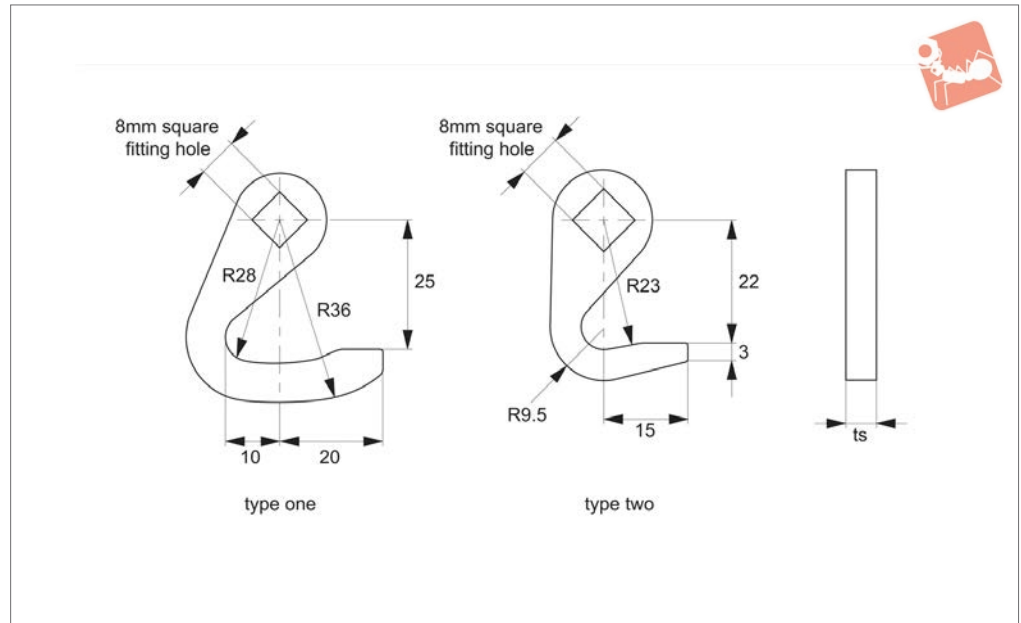
A0216.AW5412	30.5	32	36	42	52	62	72
A0216.AW5420	38.5	40	44	50	60	70	80



CAM LATCH ACCESSORIES



A0224



Material

Steel, zinc plated.

Technical Notes

Hooked cam gives rotation of 360°. Suitable for push - pull type cabinet doors.

Allows securing to fixed point or plate within frame.

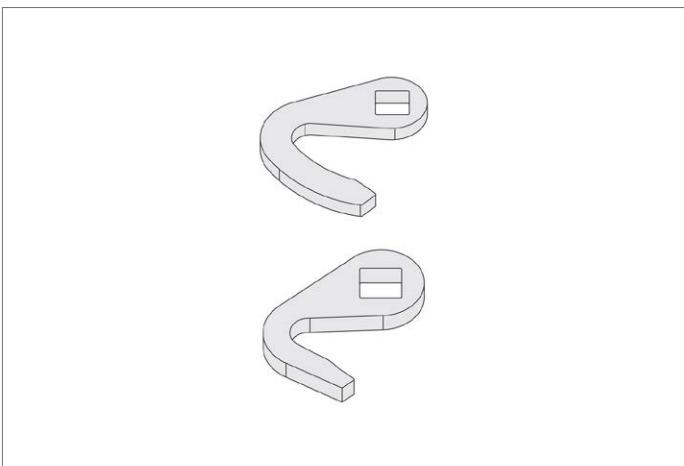
Tips

Reversing the cam gives both clockwise and anticlockwise hooking action.

Important Notes

Suitable for flexi system latches.

Order No.	Type	Rotation radius	ts
A0224.AW0010	One	28	4
A0224.AW0020	Two	23	4

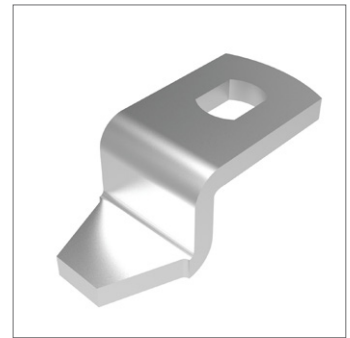
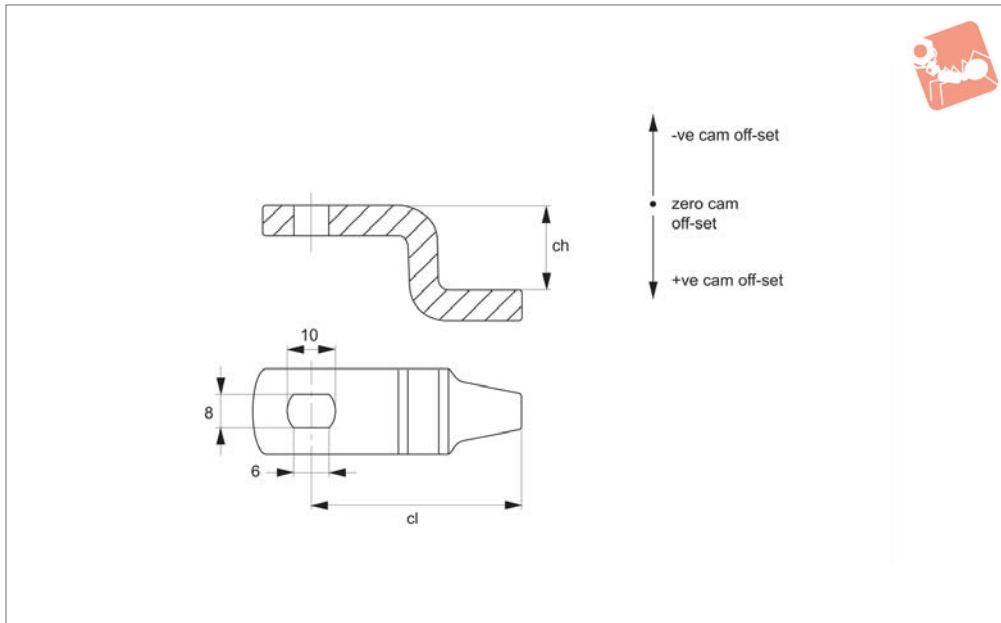




Single Point Cams - Steel

for adjustable grip compression cam latches

Cam Latch Accessories



A0231

CAM LATCH ACCESSORIES

Material

Steel, zinc plated.

Technical Notes

Use formula to calculate ch (required cam off-set), and select from product table below;

$ch = h - lh$ where;

ch = required cam off-set/height.

h = grip length (distance between inside of

latch face and front of cam).

lh = body length of cam latch/lock to be used (see individual latch/lock product table).

Refer to installation drawing below.

Important Notes

Suitable for adjustable grip compression cam latches A1603, A1611, A1630, A1810.

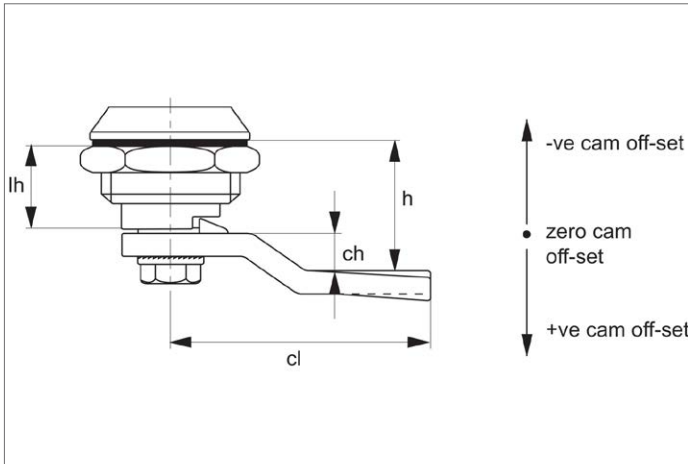
See cam selection chart for specific

latch/lock suitability.

Installation hole is rectangular 6mmx4mm.

Please note due to design of the single point cam, it is not possible to use +ve offset cam in reverse/upside down as it results in a clash with the body of the cam latch- making it inoperable.

Order No.	ch	cl	Where lh = 32
A0231.AW0300	0	33	32
A0231.AW0314	14	33	46
A0231.AW0327	27	33	59
A0231.AW0305	5	33	37
A0231.AW0308	8	33	40
A0231.AW0310	10	33	42
A0231.AW0312	12	33	44
A0231.AW0316	16	33	48
A0231.AW0318	18	33	50
A0231.AW0322	22	33	54
A0231.AW0324	24	33	56
A0231.AW0328	28	33	60
A0231.AW0330	30	33	62
A0231.AW1304	-4	33	28
A0231.AW1308	-7	33	25
A0231.AW1314	-14	33	18
A0231.AW1316	-16	33	16
A0231.AW1318	-18	33	14
A0231.AW1410	-10	45	22
A0231.AW0400	0	45	32
A0231.AW0405	5	45	37
A0231.AW0408	8	45	40
A0231.AW0418	18	45	50

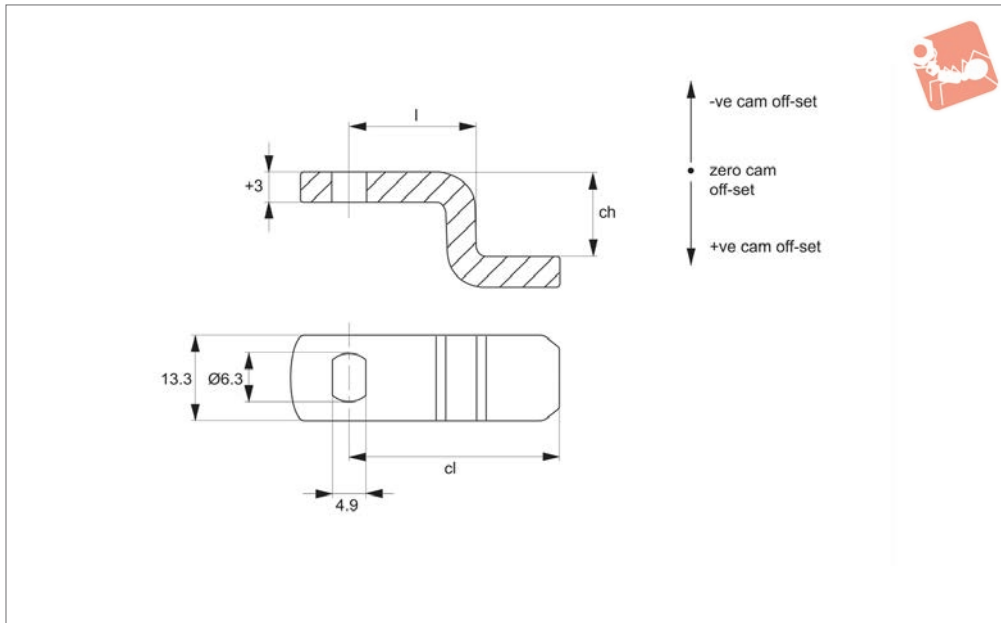




Single Point Cams - Steel

for adjustable grip mini compression cam latches -

Cam Latch Accessories



A0234

CAM LATCH ACCESSORIES

Material

Steel, zinc plated.

Technical Notes

Use formula to calculate ch (required cam off-set), and select from product table below;

$ch = h - lh$ where;

ch = required cam off-set/height.

h = grip length (distance between inside of

latch face and front of cam).

lh = body length of cam latch/lock to be used (see individual latch/lock product table).

Refer to installation drawing above.

Important Notes

Suitable for adjustable grip mini compression cam latches A1660 and A1666. **See cam selection chart for specific latch/**

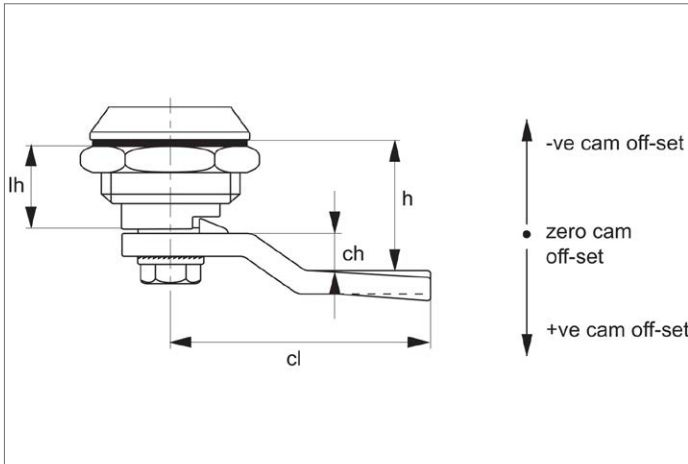
lock suitability.

Sold subject to pack quantity.

Installation hole is rectangular 6mmx4mm.

Please note due to design of the single point cam, it is not possible to use +ve offset cam in reverse/upside down as it results in a clash with the body of the cam latch- making it inoperable.

Order No.	Type	ch	cl	l	ts	Where $lh = 22,5$ min. $h =$
A0234.AW0300	+ve offset	0	23	10	2.8	22.5
A0234.AW0301	+ve offset	1	23	10	2.8	23.5
A0234.AW0303	+ve offset	4	23	10	2.8	26.5
A0234.AW0307	+ve offset	7	23	10	2.8	29.5
A0234.AW0310	+ve offset	10	23	10	2.8	32.5
A0234.AW0313	+ve offset	13	23	10	2.8	35.5
A0234.AW0316	+ve offset	16	23	10	2.8	38.5
A0234.AW0320	+ve offset	20	23	10	2.8	42.5
A0234.AW0323	+ve offset	23	23	10	2.8	45.5
A0234.AW6304	-ve offset	-4	23	11	2.8	18.5
A0234.AW6308	-ve offset	-8	23	11	2.8	14.5
A0234.AW6312	-ve offset	-12	23	11	2.8	10.5
A0234.AW6316	-ve offset	-16	23	11	2.8	6.5
A0234.AW6323	-ve offset	-23	23	11	2.8	0.0
A0234.AW6302	-ve offset	-2	23	11	3	20.5
A0234.AW6306	-ve offset	-6	23	11	3	16.5
A0234.AW6314	-ve offset	-14	23	11	3	8.5
A0234.AW6320	-ve offset	-20	23	11	3	2.5
A0234.AW6324	-ve offset	-24	23	11	3	-1.5

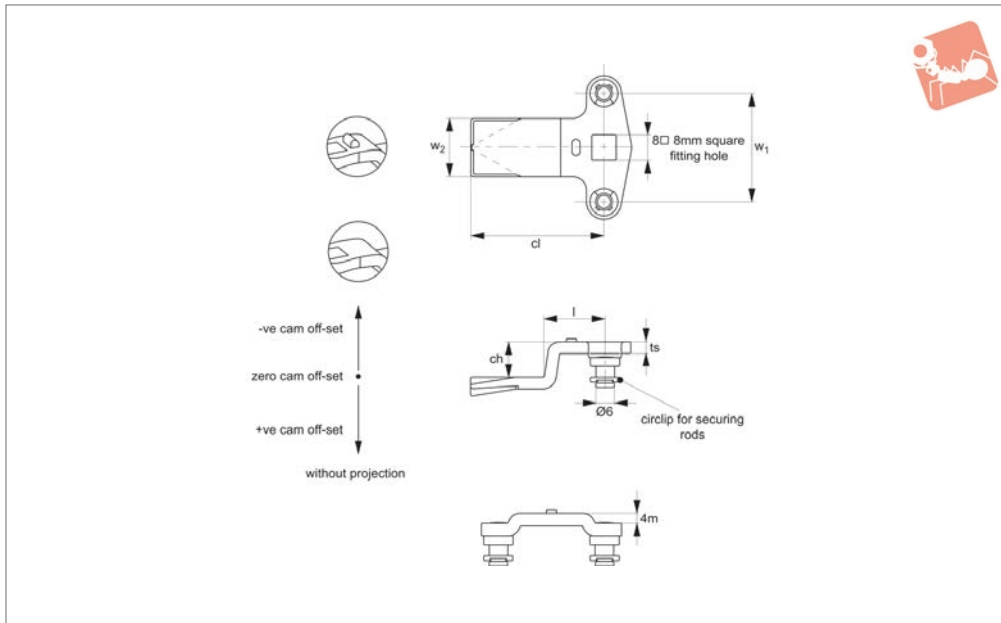




Two Point Cams - Flexi-System

for 3-point latching of cam latches and locks - zinc

Cam Latch Accessories



A0240

CAM LATCH ACCESSORIES

Material

Steel, zinc plated.
Size: 8 x 8 Sq.

Technical Notes

Use formula to calculate ch (required cam off-set), and select from product table below;

$ch = h - lh$ where;

ch = required cam off-set/height.

h = grip length (distance between inside of latch face and front of cam).

lh = body length of cam latch/lock to be used (see individual latch/lock product table).

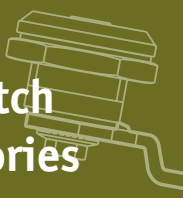
Important Notes

Suitable for Flexi-System latches. „With projection“ type ensures correct location and prevents cam rotating over 45°. **See cam selection chart for specific latch/lock suitability.**

Sold subject to pack quantity.

Order No.	Type	ch	cl	l	ts	w ₁	w ₂
A0240.AW0000	With Projection	0	45	20	4	36	20
A0240.AW0004	With Projection	4	45	20	4	36	20
A0240.AW0008	With Projection	8	45	20	4	36	20
A0240.AW0010	With Projection	10	45	20	4	36	20
A0240.AW0012	With Projection	12	45	20	4	36	20
A0240.AW0014	With Projection	14	45	20	4	36	20
A0240.AW0016	With Projection	16	45	20	4	36	20
A0240.AW0020	With Projection	20	45	20	4	36	20
A0240.AW0022	With Projection	22	45	20	4	36	20
A0240.AW0100	W/o Projection	0	45	20	4	36	20
A0240.AW0104	W/o Projection	4	45	20	4	36	20
A0240.AW0108	W/o Projection	8	45	20	4	36	20
A0240.AW0110	W/o Projection	10	45	20	4	36	20
A0240.AW0120	W/o Projection	12	45	20	4	36	20
A0240.AW0140	W/o Projection	14	45	20	4	36	20
A0240.AW0160	W/o Projection	16	45	20	4	36	20
A0240.AW0200	W/o Projection	20	45	20	4	36	20
A0240.AW0220	W/o Projection	22	45	20	4	36	20

Order No.	Where lh = 18	Where lh = 18,5	Where lh = 20	Where lh = 25	Where lh = 30	Where lh = 40	Where lh = 50	Where lh = 60
	h =	h =	h =	h =	h =	h =	h =	h =
A0240.AW0000	18	18.5	20	25	30	40	50	60
A0240.AW0004	22	22.5	24	29	34	44	54	64
A0240.AW0008	26	26.5	28	33	38	48	58	68
A0240.AW0010	28	28.5	30	35	40	50	60	70
A0240.AW0012	30	30.5	32	37	42	52	62	72
A0240.AW0014	32	32.5	34	39	44	54	64	74
A0240.AW0016	34	34.5	36	41	46	56	66	76
A0240.AW0020	38	38.5	40	45	50	60	70	80
A0240.AW0022	40	40.5	42	47	52	62	72	82



Two Point Cams - Flexi-System for 3-point latching of cam latches and locks - zinc

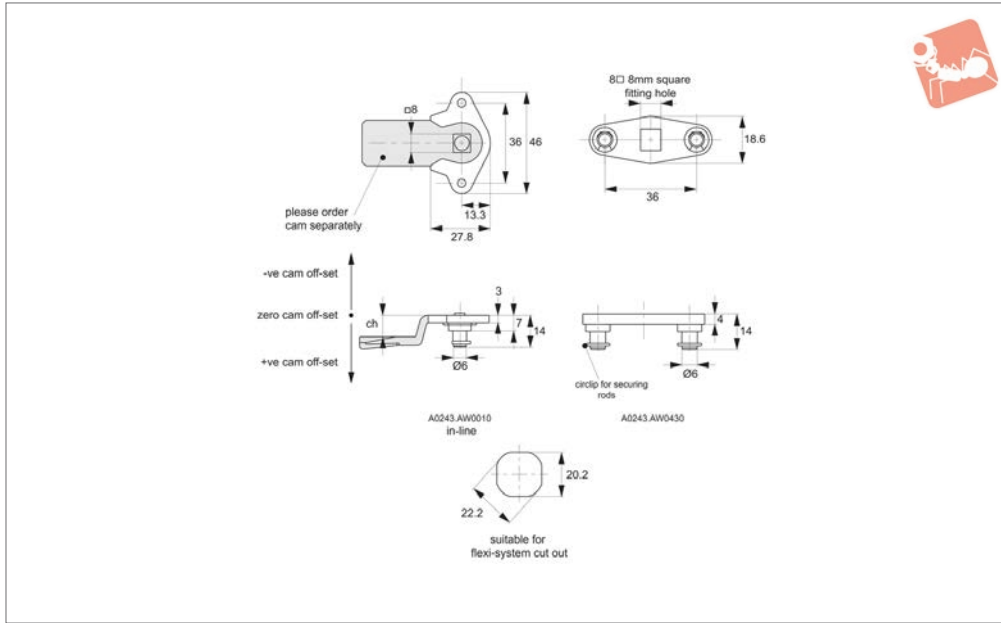


Order No.	Where lh = 18 h =	Where lh = 18,5 h =	Where lh = 20 h =	Where lh = 25 h =	Where lh = 30 h =	Where lh = 40 h =	Where lh = 50 h =	Where lh = 60 h =
A0240.AW0100	18	18.5	20	25	30	40	50	60
A0240.AW0104	22	22.5	24	29	34	44	54	64
A0240.AW0108	26	26.5	28	33	38	48	58	68
A0240.AW0110	28	28.5	30	35	40	50	60	70
A0240.AW0120	30	30.5	32	37	42	52	62	72
A0240.AW0140	32	32.5	34	39	44	54	64	74
A0240.AW0160	34	34.5	36	41	46	56	66	76
A0240.AW0200	38	38.5	40	45	50	60	70	80
A0240.AW0220	40	40.5	42	47	52	62	72	82



Multi Point Locking Adaptor - Flexi- for cam latches, locks and swing handles - zinc

Cam Latch Accessories



A0243

CAM LATCH ACCESSORIES

Material

Steel, zinc plated.

Technical Notes

Two point locking adaptor for use with our round rod latching system on cam latches and swing handles, to achieve a comprehensive latching system for tall cabinets

and enclosures.

Tips

Use formula to calculate **ch** (required cam off-set), and refer to cam chart;
ch = h - lh where;
ch = required cam off-set/ height.
h = grip length (distance between inside of

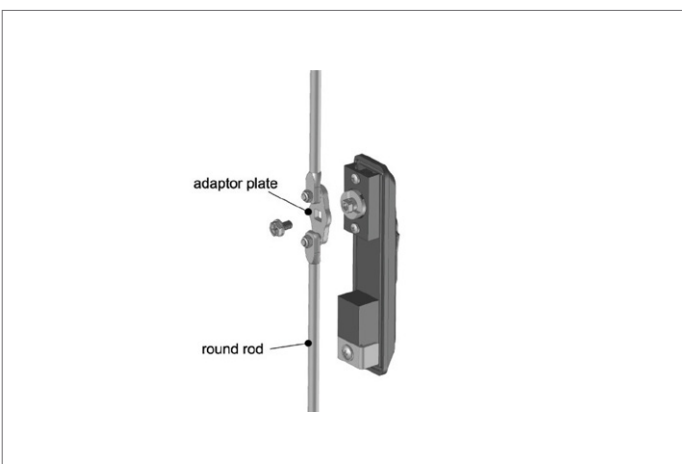
latch face and front of cam).

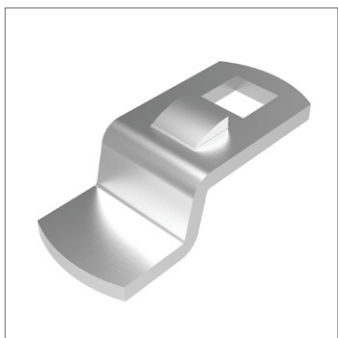
lh = body length of cam latch/lock to be used (see product table below).

Important Notes

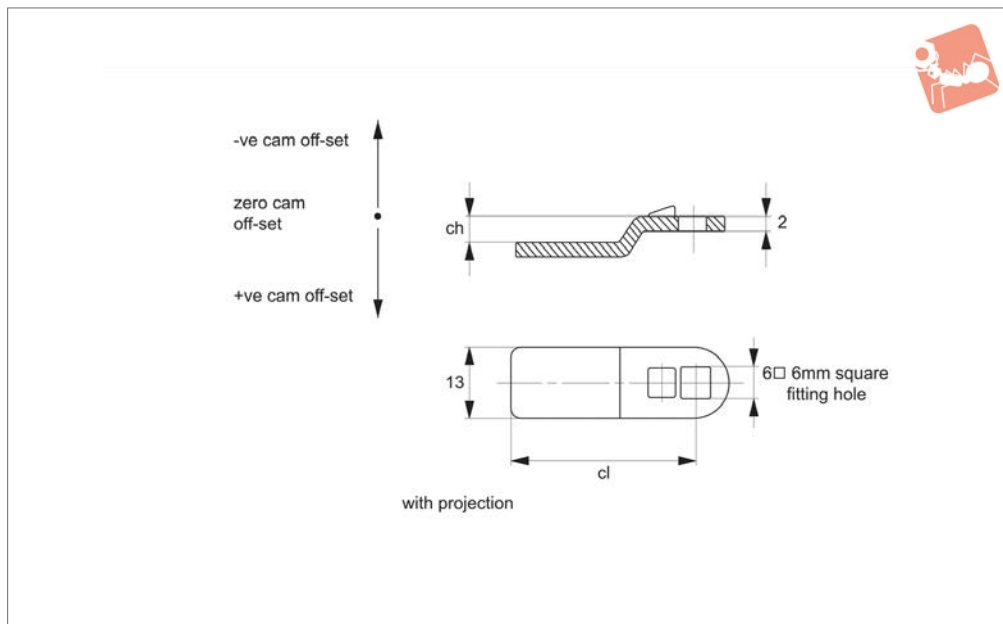
Sold subject to pack quantity.

Order No.	Type	Application
A0243.AW0010	W/o projection	In-line Multi-Point Locking Adaptor
A0243.AW0430	W/o projection	Two Point Locking Adaptor





A0261



Material

Steel, zinc plated.

Technical Notes

Use formula to calculate ch (required cam off-set), and select from product table below;

$ch = h - lh$ where;

ch = required cam off-set/height.

h = grip length (distance between inside of latch face and front of cam).

lh = body length of cam latch/lock to be used (see individual latch/lock product table).

Refer to installation drawing below.

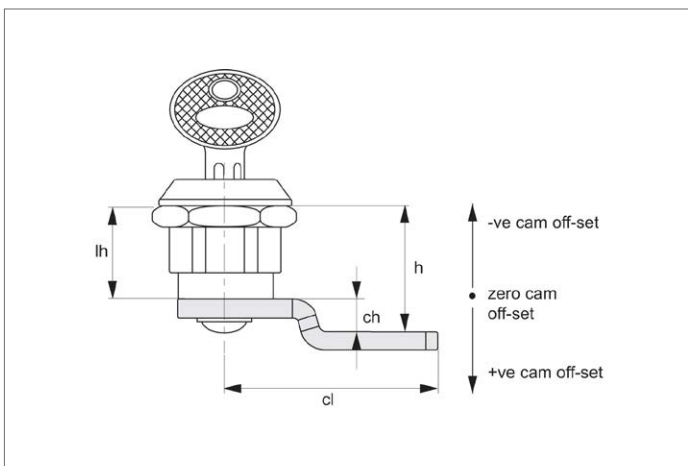
Important Notes

With projection type ensures correct location and prevents cam rotating over 45°.

See cam selection chart for specific latch/lock suitability.

Sold subject to pack quantity.

Order No.	ch	cl	Where lh = 18	Where lh = 18,5	Where lh = 20	Where lh = 25	Where lh = 30	Where lh = 40	Where lh = 50	Where lh = 60
			h =	h =	h =	h =	h =	h =	h =	h =
A0261.AW0200	0	25	18	18.5	20	25	30	40	50	60
A0261.AW0206	6	25	24	24.5	26	31	36	46	56	66
A0261.AW0296	-6	25	12	12.5	14	19	24	34	44	54
A0261.AW0307	7	30	25	25.5	27	32	37	47	57	67

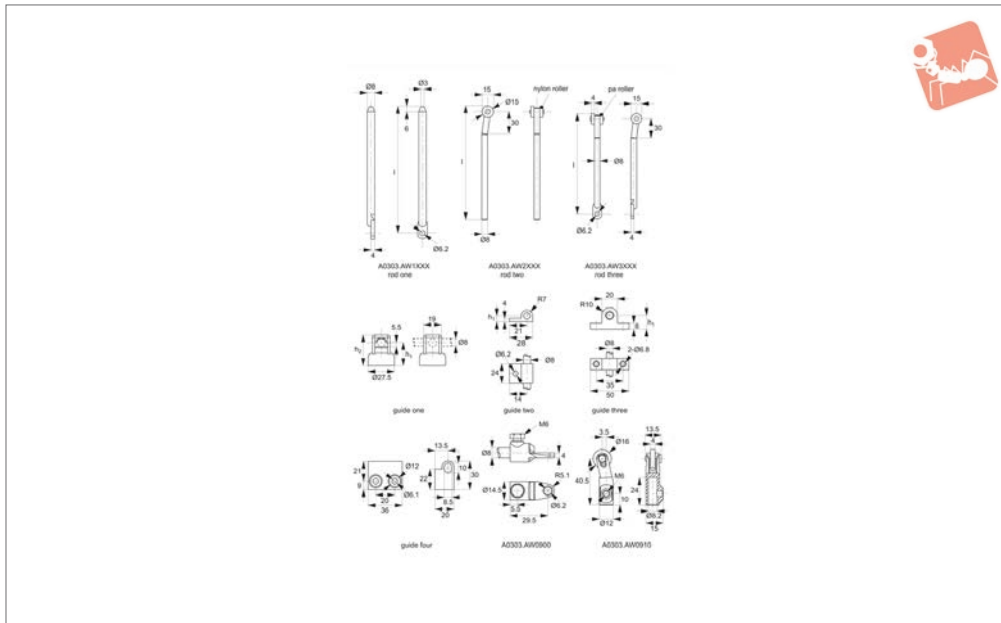




Multi-Point Latching Set

round rod - for cam latches and swing handles

Cam Latch Accessories



A0303

CAM LATCH ACCESSORIES

Material

Rod: steel, zinc plated. With Nylon or PA6 rollers.

Rod Guides One to Four: polyamide, PA6.

Rod Adaptor and Roller Adaptor: die cast zinc, zinc plated.

Technical Notes

For use with cam latches & locks, making a

full 3-point latching system.

Distance between base of rod and inside of door depends upon height of rod guide selected, see dimension h_1 .

Rod guides: fixed via counter sunk screw or weld-on stud.

Rod adaptor: fits to any length of rod. If rod of different length is required, simply

cut oversized length with a saw.

Cams: see two point cams A0240 to achieve 3-point locking.

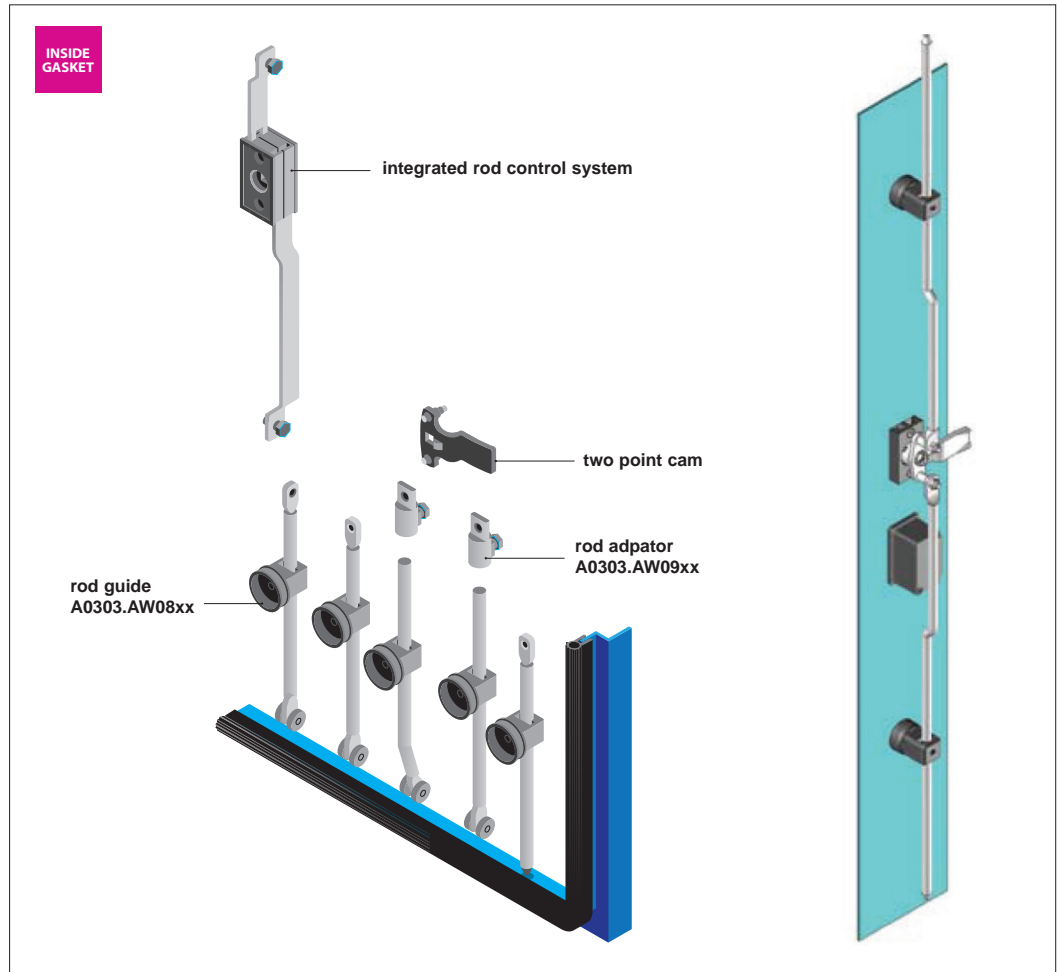
Important Notes

Please order rods, rod guides and rod adaptors separately.

Order No.	Type	Length l	h_1	h_2	Weld screw
A0303.AW0861	Guide One	-	24	32	M 6 x 16
A0303.AW0862	Guide One	-	30	38	M 6 x 20
A0303.AW0863	Guide One	-	34	42	M 6 x 20
A0303.AW0881	Guide Two	-	7	-	-
A0303.AW0882	Guide Three	-	18	-	-
A0303.AW0883	Guide Four	-	22	-	-
A0303.AW0900	Rod Adaptor	-	-	-	-
A0303.AW0910	Roller Adaptor	-	-	-	-
A0303.AW1060	Rod One	600	-	-	-
A0303.AW1080	Rod One	800	-	-	-
A0303.AW1100	Rod One	1000	-	-	-
A0303.AW2060	Rod Two	600	-	-	-
A0303.AW2080	Rod Two	800	-	-	-
A0303.AW2100	Rod Two	1000	-	-	-
A0303.AW3060	Rod Three	600	-	-	-
A0303.AW3080	Rod Three	800	-	-	-
A0303.AW3100	Rod Three	1000	-	-	-



Applications inside the gasket



CAM LATCH ACCESSORIES

Round rod and accessories compatibility

Round rod type		Rod one .AW1xxx	Rod two .AW2xxx	Rod three .AW3xxx
Part no. A0303 compatible with:				
Two point cam (A0240)		✓	✓	✓
Integrated rod control systems		✓	✗	✗
Required accessories:				
Rod guide A0303.AW08xx		✓	✓	✓
Rod adaptor A0303.AW0900		✗	✓	✗
Roller adaptor A0303.AW0910		✓	✗	✗

Note: Use of rod guide is essential for all applications.

Ordering example for complete rod set

To suit a single enclosure door, where h1 (height between base of rod and inside of door) = 24mm.

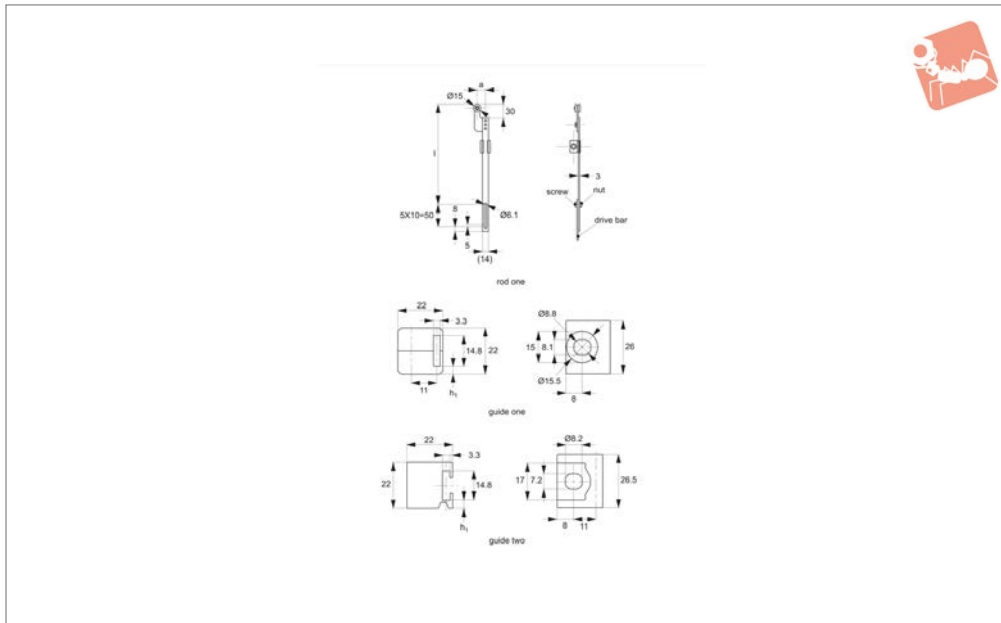
- 1 x A0303.AW2100 - round rod (pkt of 2).
- 1 x A0303.AW0861 - rod guide (pkt of 2), h1 = 24mm.
- 1 x A0303.AW0900 - rod adaptor (pkt of 2).



Multi-Point Latching Set

flat rod - for cam latches and swing handles

Cam Latch Accessories



A0321

CAM LATCH ACCESSORIES

Material

Rod: steel, zinc plated. With nylon or PA6 rollers.

Rod guides One and Two: polyamide, PA6.

Technical Notes

For use with cam latches & locks, making a

full 3-point latching system. Distance between base of rod and inside of door depends upon height of rod guide selected, see dimension h_1 .

Rod guides: fixed via counter sunk screw or weld-on stud.

Cams: see two point cams A0240 to achieve 3-point locking.

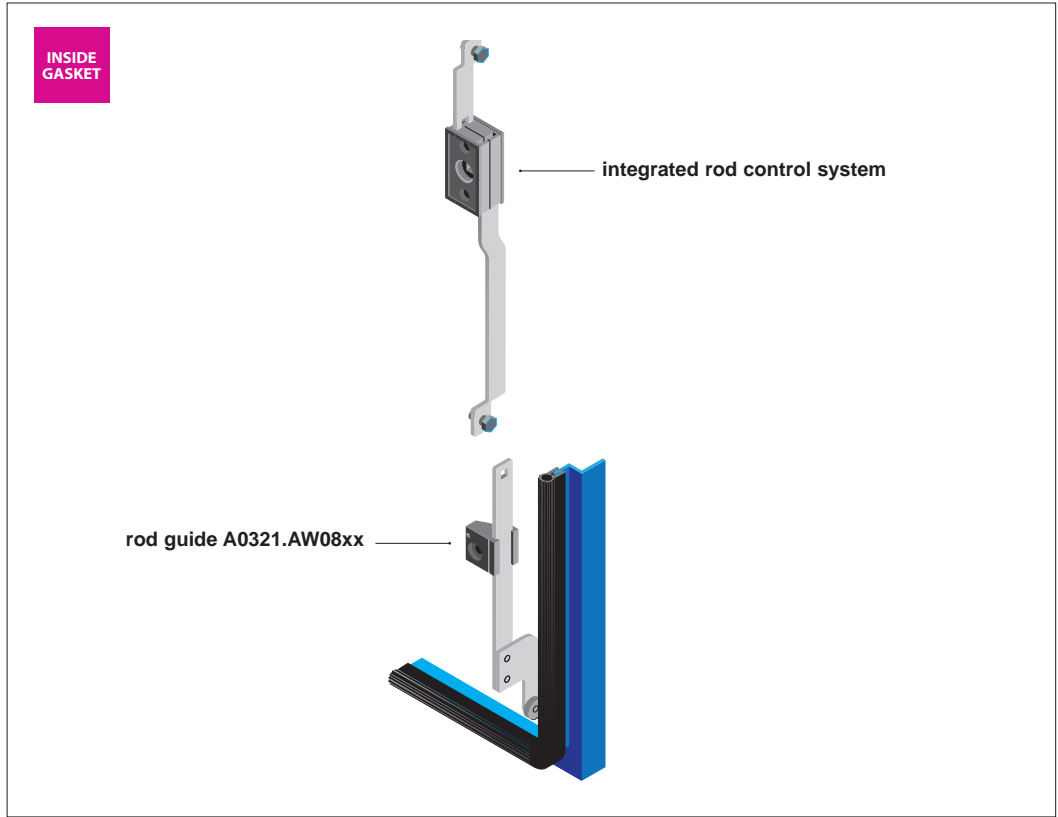
Important Notes

Please order rods and guides separately.

Order No.	Type	Length	a	h_1	Weld screw
A0321.AW1118	Rod One	1000	18.5	-	-
A0321.AW1122	Rod One	1000	22.5	-	-
A0321.AW1127	Rod One	1000	27.5	-	-
A0321.AW1135	Rod One	1000	35.0	-	-
A0321.AW0800	Guide One	-	-	3.6	M 6x16
A0321.AW0820	Guide Two	-	-	3.6	M 6x16



Applications inside the gasket



CAM LATCH ACCESSORIES

Round rod and accessories compatibility

Round rod type	Rod one
Part no. A0321 compatible with: Two point cam (A0240) Integrated rod control systems	.AW01xx ✓ ✓
Required accessories: Rod guide A0321.AW08xx	✓

Note: Use of rod guide is essential for all applications.

Ordering example for complete rod set

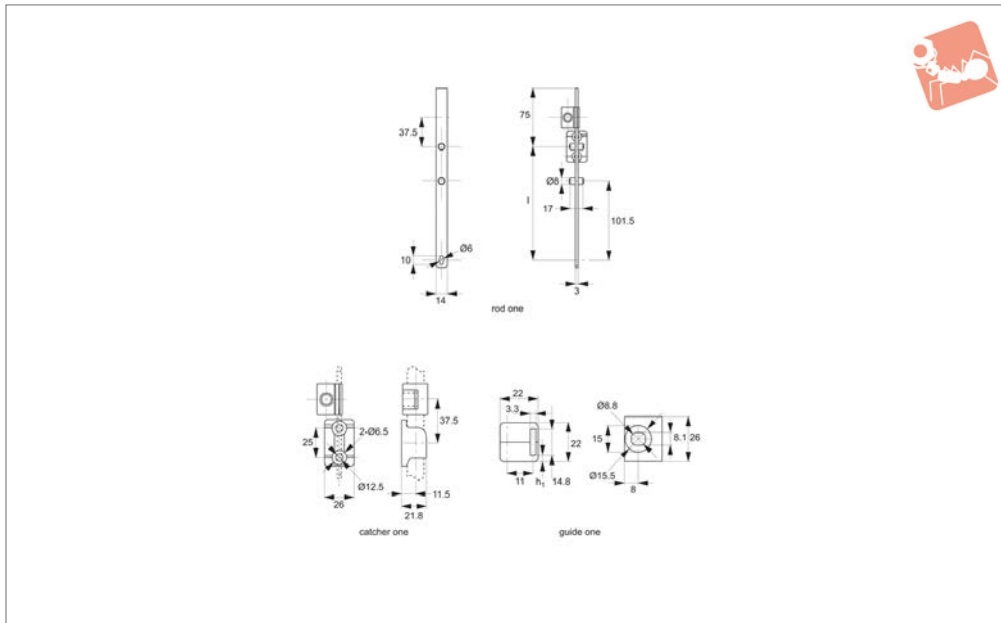
To suit a single enclosure door, where h1 (height between base of rod and inside of door) = 3,6mm.
 1 x A0321.AW0118 - flat rod (pkt of 2).
 1 x A0321.AW0800 - rod guide (pkt of 2), h1 = 3,6mm.



Multi-Point Latching Set

flat rod with locking pins - for cam latches and

Cam Latch Accessories



A0325

CAM LATCH ACCESSORIES

Material

Rod: steel, zinc plated.
 Rod Guides One: polyamide, PA6.
 Rod Catcher: die cast zinc, black.

Technical Notes

For use with cam latches & locks, making a

full 3-point latching system. Distance between base of rod and inside of door depends upon height of rod guide selected, see dimension h_1 .

Rod guides: fixed via counter sunk screw or weld-on stud.

Cams: see two point cams A0240 to achieve 3-point locking.

Important Notes

Please order rods, rod guides and rod catcher separately.

Order No.	Type	Length l	h_1
A0325.AW1070	Rod One	760	-
A0325.AW0800	Rod Guide	-	3.6
A0325.AW0900	Rod Catcher	-	-



Applications outside the gasket

OUTSIDE GASKET

- 1 Multi-Point latching rod **A0325.AW1070**
- 2 Flat rod guide **A0321.AW0800**
- 3 Rod catcher **A0325.AW0900**

CAM LATCH ACCESSORIES

Round rod and accessories compatibility

Round rod type	Rod one
Part no. A0325 compatible with: Two point cam (A0240) Integrated rod control systems	.AW01xx ✓ ✓
Required accessories: Rod guide A0325.AW0800	✓
Rod catcher A0325.AW0900	✓

Note: Use of rod guide is essential for all applications.

Ordering example for complete rod set

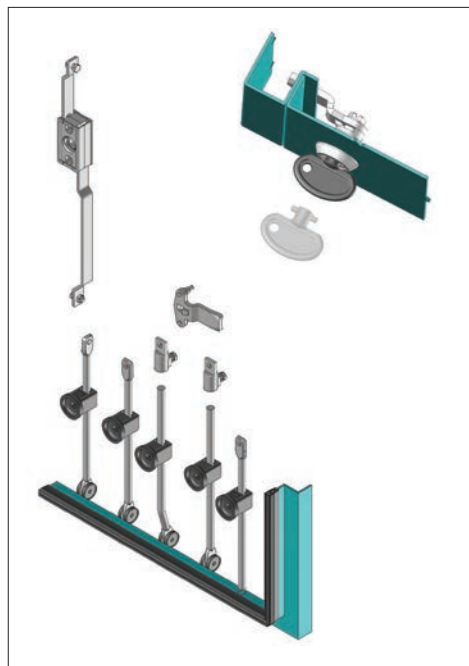
To suit a single enclosure door, where h1 (height between base of rod and inside of door) = 3,6mm.
 1 x A0325.AW1070 - flat rod (pkt of 2).
 1 x A0325.AW0800 - rod guide (pkt of 2), h1 = 3,6mm.
 1 x A0325.AW0900 - rod catcher (pkt of 2).



Many industrial cabinets are made of low gauge sheet metal. These often flex under their own weight and can be forced outward due to pressure from the cabinet's internal environment (i.e. air pressure). While a gasket or seal will improve performance, all round consistent sealing is often not achieved because only a single point locking latch is used - to achieve optimum all round sealing a multi-point latching system is required.

What is multi-point latching

For larger cabinets the use of Wixroyd rods and rod guides provide a multi-point latching system locking at two, three or more points on the cabinet - often these points are at the top, bottom and middle of the cabinet.



With each multi-point latching system there will be an actuating cam latch, lock or swing handle - attached to these, inside of the cabinet, are a cam and two latching rods.

When the latch is actuated to close, the cam engages with the door frame to provide the first point of locking, while at the same time one of the latching rods moves upwards, while the other down and engages with the top and bottom of the cabinet frame respectively, to provide the second and third points of locking.

Multi-point latching systems can be installed both inside and outside of the cabinet gasket.

Wixroyd multi-point latching systems provide flexible options for locking at several points of a cabinet; increasing security, improving environmental control within a cabinet, and greater stability of tall cabinets.

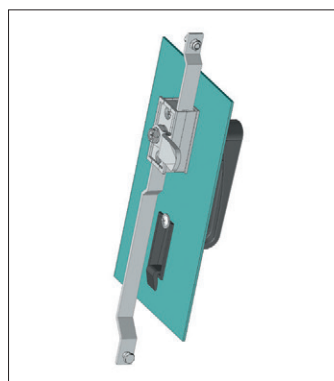
How does multi-point latching work?



1. In conjunction with a standard cam latch, lock or swing handle, use a multi-point cam (A0240) and a latching rod set (A0303, A0321, A0325) to achieve three points of locking.

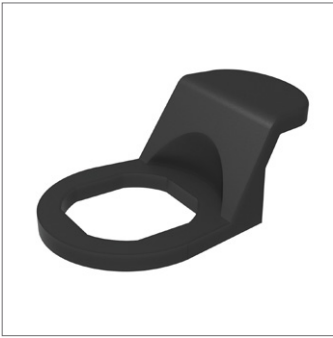


2. In conjunction with a standard cam latch, lock or swing handle, use a two point locking adaptor A0243 and a latching rod set (A0303, A0321, A0325) to achieve two points of locking.

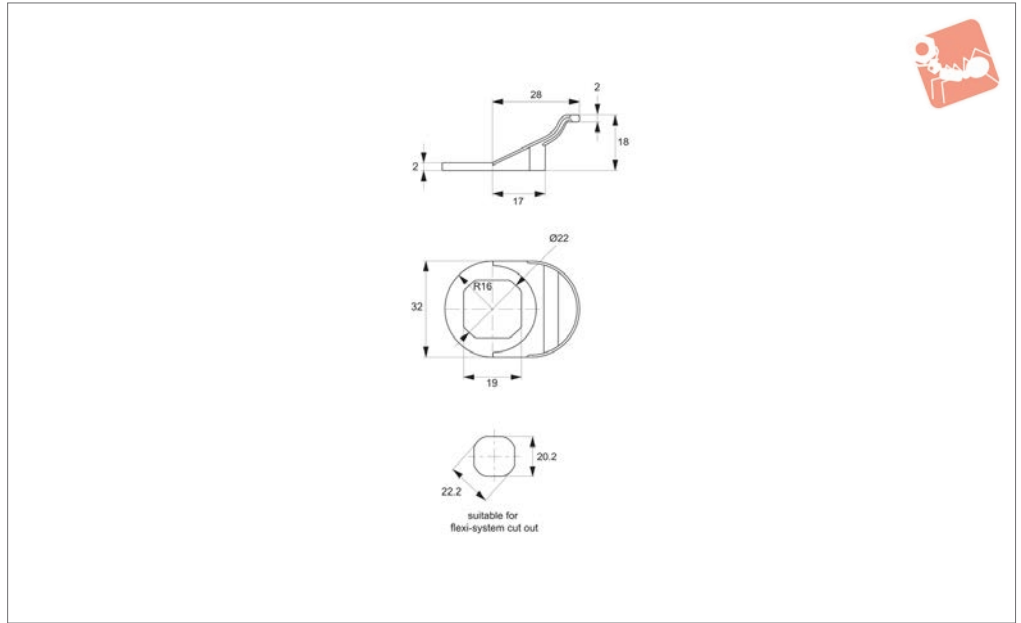


3. We have a range of swing handles and flush T-handle cam latches with integrated rod control systems. These integrated systems make attachment of latching rod sets far simpler and far more robust. Together they achieve three points of locking.

Different approaches to multi-point latching



A0352



Material

Body: polyamide DIN-EN ISO 1043-1 PA 6 GFR 30, black.

Technical Notes

Suitable for all Flexi-System latches with cut-out of 22,2 dia. / 20,2 square. Please

order cam latch/lock separately, see parts A1002 to A1252.

Tips

Note when finger pull used the cam latch useful body length ,lh' is reduced by 2mm. This is important in relation to

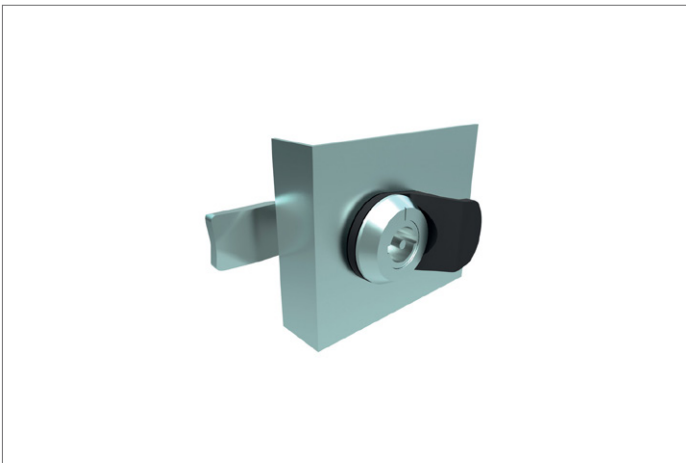
selection of suitable cam.

Important Notes

Sold subject to pack quantity.

Order No.
A0352.AW0028

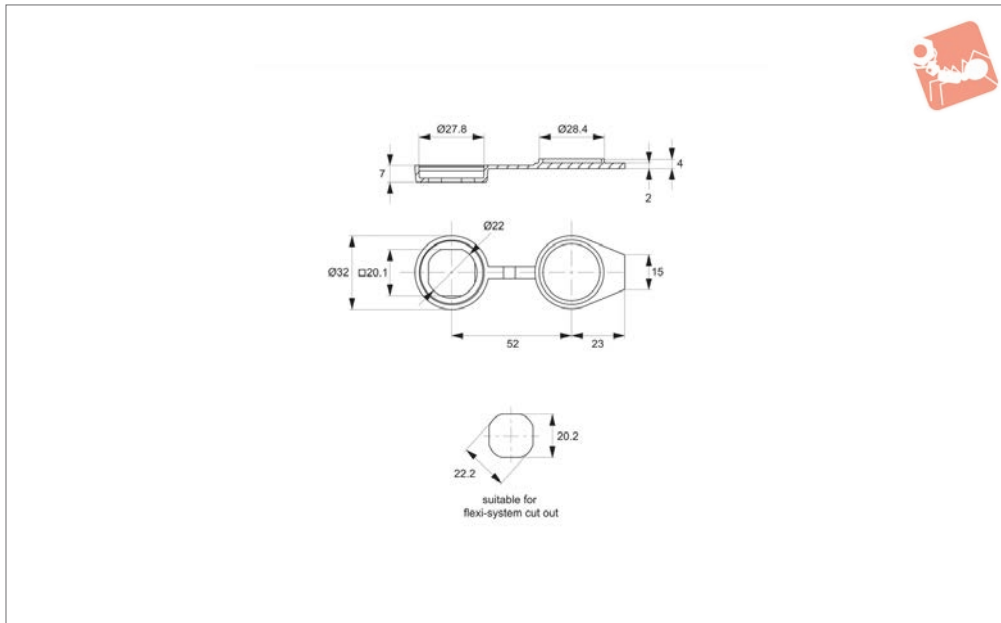
To suit flexi-system fastener
22,2 Dia Installation Cut Out





Dust Cap for flexi-system cam latches and locks

Cam Latch Accessories



A0360

CAM LATCH ACCESSORIES

Material

Body: polyamide, black.

Technical Notes

Fits all Flexi-System cam latches & locks, and other fasteners with a standard instal-

lation cut out of 22,2 dia / 20,2 square.

Tips

Note when dust cap used the cam latch useful body length ,lh' is reduced by 2mm. This is important in relation to selection of

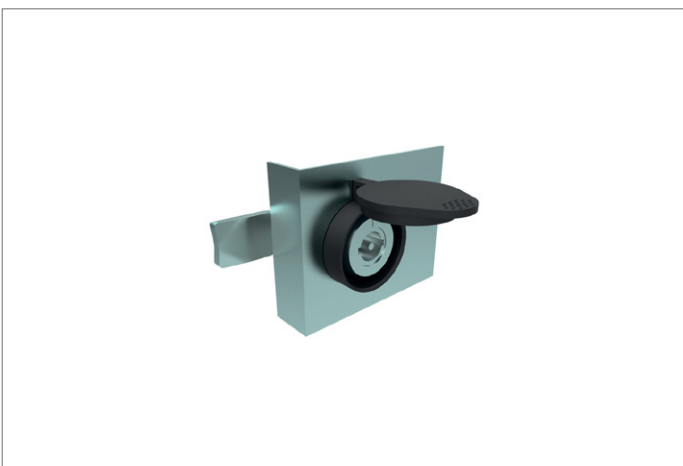
suitable cam.

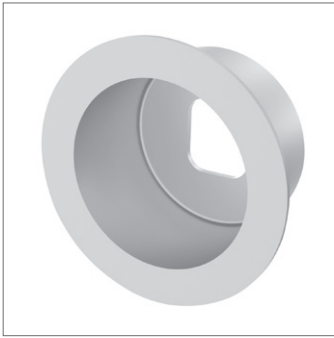
Important Notes

Sold subject to pack quantity.

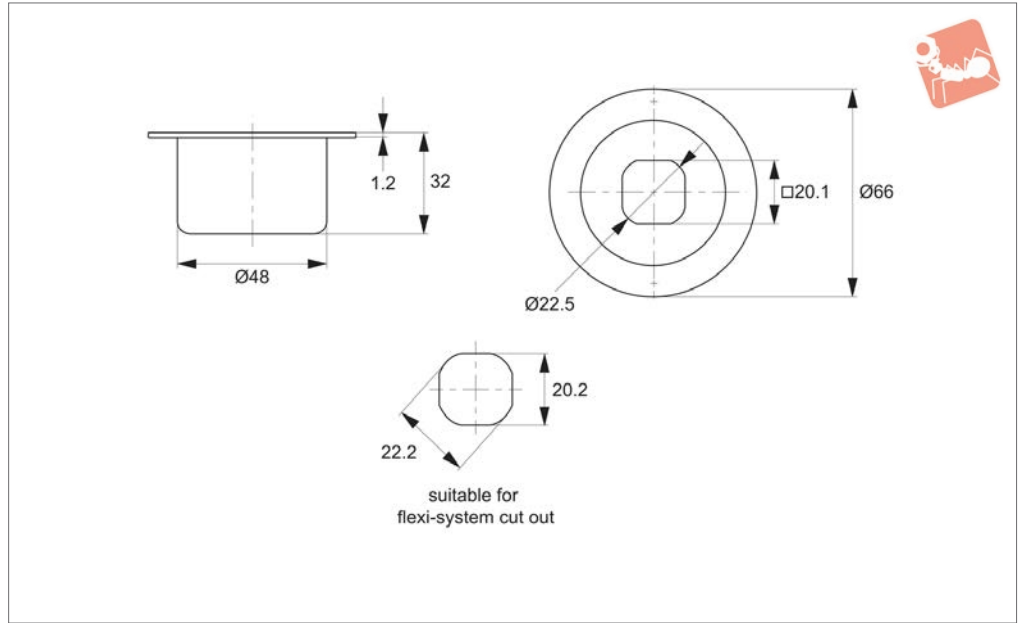
Order No.
A0360.AW0010

Type
Polyamide





A0420



Material

Body: steel, zinc plated.

Technical Notes

For use on isolation panels and other thick doors, enables near flush fitting of cam

latch or lock through recessed fixing of the cam body.

Tips

Suitable for all our Flexi-System cam latches and locks with a 22,2 dia. installa-

tion cut out.

Especially suited to our extended body latch no. A1250.

Important Notes

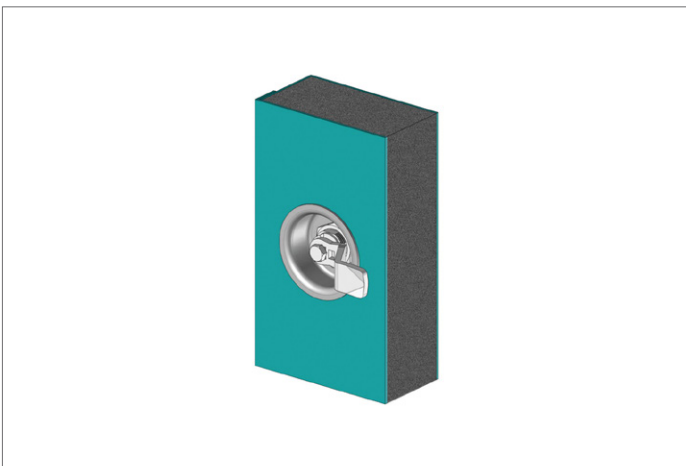
Sold subject to pack quantity.

Order No.

A0420.AW0022

To suit flexi-system latch

22,2 Dia. Installation Cut Out

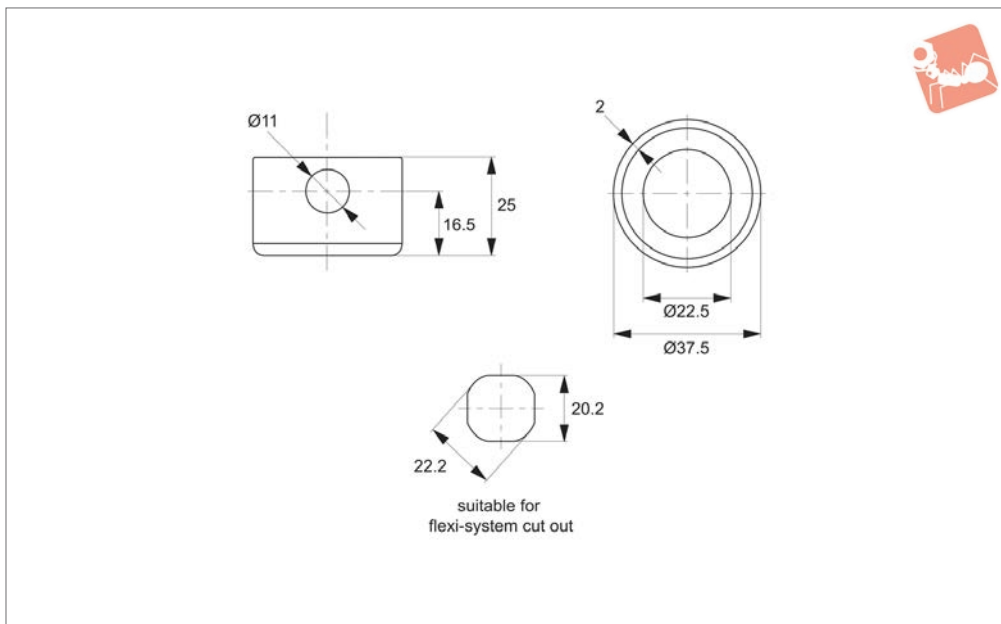




Padlock Converter

for flexi-system cam latches and locks - stainless

Cam Latch Accessories



A0440

CAM LATCH ACCESSORIES

Material

Steel, black coated or stainless AISI 304.

Technical Notes

Prevents access to the fastener. Can be locked with a suitable padlock (max shackle

dia. 11mm). Alternatively use 2 fasteners and a steel bar to prevent actuation of lock.

Tips

For use with flexi-system cut out. Installs

under the latch. Note when converter used the cam latch useful body length „lh“ is reduced by 2mm. This is important in relation to selection of suitable cam.

Order No.

A0440.AW0010
A0440.AW0020

Material

Steel - Black Coated
Stainless Steel

