

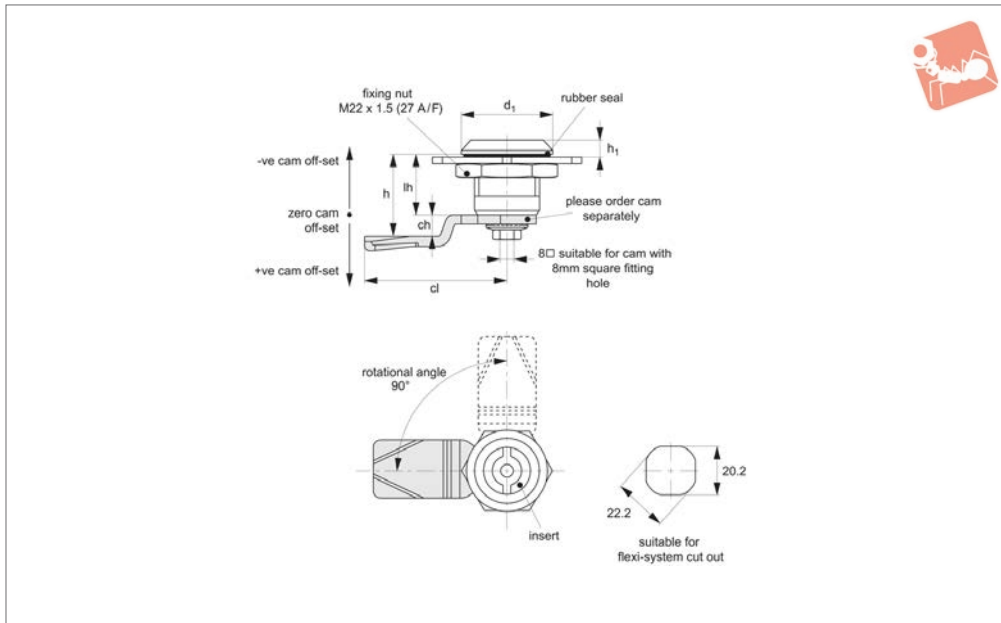


Cam Latches - Flexi-System

insert driver - fixed grip - zinc



Cam Latches



A1003

CAM LATCHES

Material

Body & insert: die cast zinc. Finished in chrome plate or black powder coating. Insert fitted with O'ring to achieve IP54 rating. Internal spring provides 1,5mm torsion.

Supplied with: Nut: steel, zinc plated. Sealing washer: PU and rubber.

Not supplied: CAM nor KEY - order separately.

Technical Notes

Order cam and key separately.

Cams: see suitable cam A0203, A0224 and A0240. Select „without projection“ cam type.

Dimensions ch and cl relate to cam. Use formula to calculate ch (required cam off-set), and refer to cam selection chart;

ch = h - lh where;

ch = required cam off-set/height.

h = grip length (distance between inside of latch face and front of cam).

lh = body length of cam latch/lock to be used (see product table below).

Keys: see A0102.

Rods & Guides: to achieve 3-point latching - A0303, A0321, A0325.






Important Notes

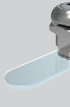








Extended body version - A1251.

Sold subject to pack quantity.

Order No.	Finish	Insert driver	d ₁	h ₁	lh
A1003.AW0010	Chrome Plated	Square 7	28	6	18
A1003.AW0310	Black Coated	Square 7	28	6	18
A1003.AW0020	Chrome Plated	Square 8	28	6	18
A1003.AW0320	Black Coated	Square 8	28	6	18
A1003.AW0040	Chrome Plated	Triangle 7	28	6	18
A1003.AW0340	Black Coated	Triangle 7	28	6	18
A1003.AW0050	Chrome Plated	Triangle 8	28	6	18
A1003.AW0350	Black Coated	Triangle 8	28	6	18
A1003.AW0060	Chrome Plated	3mm Double Bit	28	6	18
A1003.AW0360	Black Coated	3mm Double Bit	28	6	18
A1003.AW0070	Chrome Plated	4mm Double Bit	28	6	18
A1003.AW0370	Black Coated	4mm Double Bit	28	6	18
A1003.AW0080	Chrome Plated	Slotted (2x4)	28	6	18
A1003.AW0380	Black Coated	Slotted (2x4)	28	6	18



Actuation Method	Body	Finishes	Cam Type	IP Rating	cut out	
					16,2	13,5
Insert Driver	Die-Cast Zinc	Chrome Plated	With Projection		✓	
Cylinder Lock	Polyamide Plastic	Black Coated	W/O Projection			
Manual/Grip	Stainless Steel	Natural				
Body length (mm)						
A1661 - Mini Compression Latch - Fixed Grip						
	✓	22,5	✓	✓	✓	54
Cams: A0234 - Keys: A0102						
A1667 - Mini Compression Latch - Wing Handle - Fixed Grip						
	✓	22,5	✓	✓	✓	54
Cams: A0234 - Keys: N/A						
Actuation Method	Body	Finishes	Cam Type	IP Rating	cut out	
Insert Driver	Die-Cast Zinc	Chrome Plated	With Projection		16,2	14,2
Cylinder Lock	Polyamide Plastic	Black Coated	W/O Projection			
Manual/Grip	Stainless Steel	Natural				
Body length (mm)						
A1261 - Mini Cam Latch - Fixed Grip						
	✓	12,5	✓	✓	✓	✓
Cams: A0261 - Keys: A0102						
A1281 - Mini Cam Latch - Wing Handle - Fixed Grip						
	✓	12,5	✓	✓	✓	✓
Cams: A0261 - Keys: N/A						
A2390 - Mini Cam Lock - Wing Handle - Fixed Grip						
	✓	13	✓	✓	✓	✓
Cams: A0261 - Keys: Supplied						

Actuation Method	Body	Finishes	Cam Type	IP Rating	cut out	
					Ø19	16
Insert Driver	Die-Cast Zinc	Chrome Plated	With Projection		✓	
Cylinder Lock	Polyamide Plastic	Black Coated	W/O Projection			
Manual/Grip	Stainless Steel	Natural				
Body length (mm)						
A2326 - Mini Cam Lock - Fixed Grip						
	✓	16,5	✓	✓	✓	✓
Cams: Supplied - Keys: Supplied						
A2328 - Mini Cam Lock - Fixed Grip						
	✓	15	✓	✓	✓	✓
Cams: N/A - Keys: Supplied						
A2330 - Mini Cam Lock - Fixed Grip						
	✓	11	✓	✓	✓	✓
Cams: Supplied - Keys: Supplied						
A2331 - Mini Cam Lock - Fixed Grip						
	✓	16	✓	✓	✓	✓
Cams: Supplied - Keys: Supplied						
A2342 - Mini Cam Lock - Fixed Grip - Radial Key						
	✓	13	✓	✓	✓	✓
Cams: Supplied - Keys: Supplied						
A2393 - Mini Cam Lock - Wing Handle - Fixed Grip						
	✓	11	✓	✓	✓	✓
Cams: Supplied - Keys: Supplied						
Actuation Method	Body	Finishes	Cam Type	IP Rating	cut out	
Insert Driver	Die-Cast Zinc	Chrome Plated	With Projection		Ø18,5	16,5
Cylinder Lock	Polyamide Plastic	Black Coated	W/O Projection			
Manual/Grip	Stainless Steel	Natural				
Body length (mm)						
A2333 - Mini Cam Lock - Fixed Grip						
	✓	Various	✓	✓	✓	✓
Cams: A0203, A0224, A0240 - Keys: Supplied						
A2340 - Mini Cam Lock - Fixed Grip						
	✓	15	✓	✓	✓	✓
Cams: Supplied - Keys: Supplied						
A2392 - Mini Cam Lock - Wing Handle - Fixed Grip						
	✓	24	✓	✓	✓	✓
Cams: A0203, A0224, A0240 - Keys: Supplied						

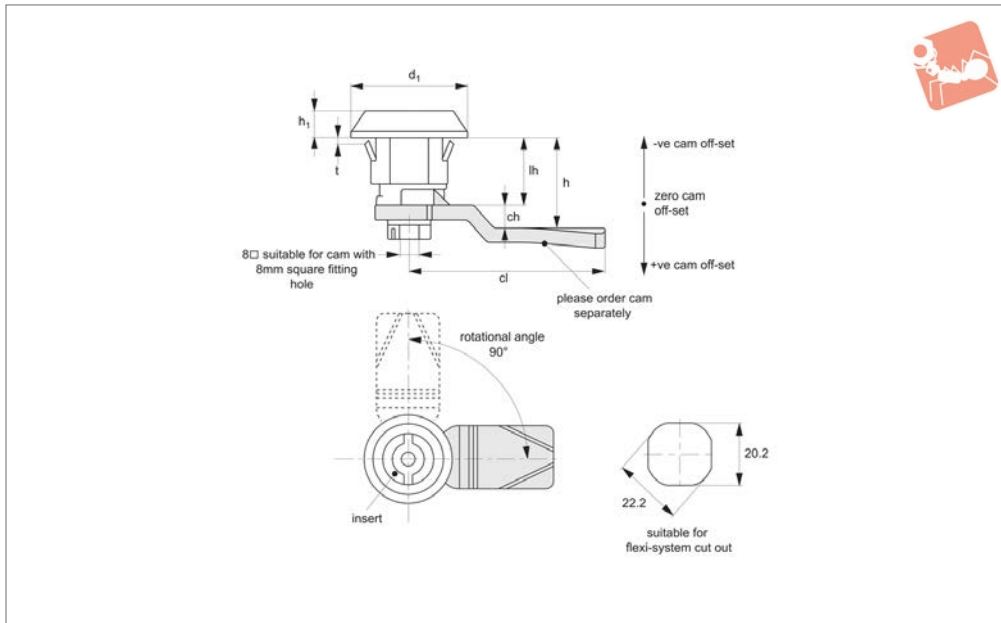


Cam Latches - Snap in - Flexi-System

Fixed grip, polyamide



Cam Latches



A1004

CAM LATCHES

Material

Body: PA plastic.

Insert: Die cast zinc.

Supplied with: Nut: steel, zinc plated.

Sealing washer: PU and rubber.

Not supplied: CAM nor KEY - order separately.

Technical Notes

Order cam and key separately.

Cams: see suitable cam A0203, A0224 and A0240. Select „with projection“ cam type.

Dimensions ch and cl relate to cam. Use formula to calculate ch (required cam off-set), and refer to cam selection chart;

$ch = h - lh$ where;

ch = required cam off-set/height.

h = grip length (distance between inside of latch face and front of cam).

lh = body length of cam latch/lock to be used (see product table below).

Suitable for panel thickness 0,8-1,5mm.

Keys: see A0102.

Tips

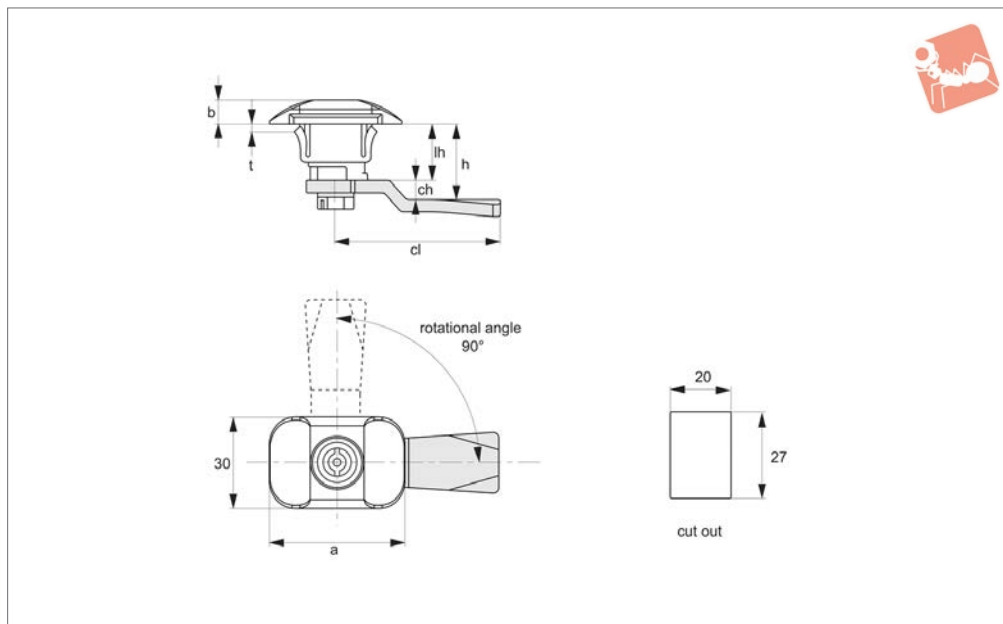
Easy snap on fix mounting. Make cut out in panel as shown, and simply push in handle, snap on clips will spring back to securely mount handle.

Order No.	Insert driver	d ₁	h ₁	t	lh
A1004.AW0020	Square 8	Ø30	7.5	0,8-1,5	18
A1004.AW0075	5mm Double Bit	Ø30	7.5	0,8-1,5	18





A1010



Material

Body: Black plastic (PA6).

Insert: Zinc.

Not supplied: Cam - order separately.

Technical Notes

Order cam and key separately.

Cams: see suitable cam A0203, A0224 and

A0240. Select „with projection“ cam type.

Dimensions ch and cl relate to cam. Use formula to calculate ch (required cam off-set), and refer to cam selection chart;

$ch = h - lh$ where;

ch = required cam off-set/height.

h = grip length (distance between inside of

latch face and front of cam).

lh = body length of cam latch/lock to be used (see product table below).

Suitable for panel thickness 0,8-2mm.

Keys: see A0102.

Order No.	Insert driver	a	b	t	lh
A1010.AW0020	8mm Square	43	7.5	0,8-2	17.8
A1010.AW0070	5mm Double Bit	43	7.5	0,8-2	17.8

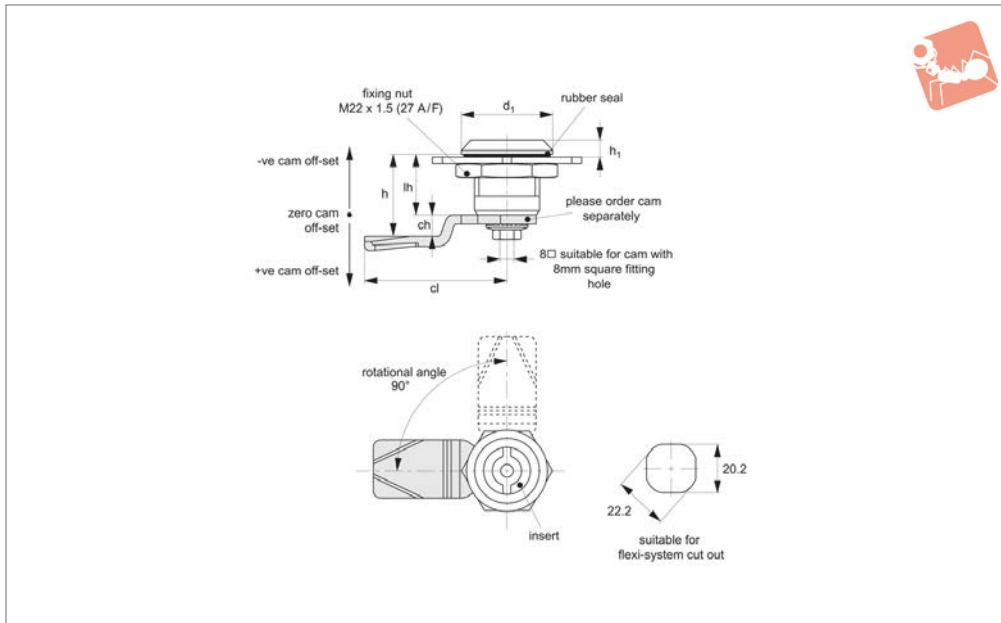


Cam Latches - Flexi-System

insert driver - fixed grip - plastic



Cam Latches



A1021

CAM LATCHES

Material

Body: polyamide plastic, black.
 Insert: zinc alloy, black coated. Fitted with O'ring to achieve IP54 rating. Internal spring provides 1,5mm torsion.
Supplied with: Nut: steel, zinc plated.
 Sealing washer: PU & Rubber.
Not supplied: CAM nor KEY - order separately.

Technical Notes

Order cam and key separately.

Cams: see suitable cam A0203, A0224 and A0240. Select „without projection“ cam type.

Dimensions ch and cl relate to cam. Use formula to calculate ch (required cam off-set), and refer to cam selection chart;

ch = h - lh where;

ch = required cam off-set/height.

h = grip length (distance between inside of latch face and front of cam).

lh = body length of cam latch/lock to be

used (see product table below).

Keys: see A0102.

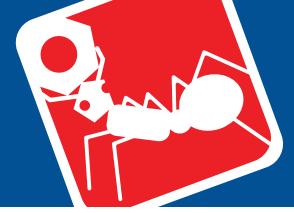
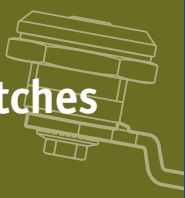
Rods & Guides: to achieve 3-point latching - A0303, A0321, A0325.

Important Notes








An inexpensive alternative to stainless steel, where water or other solutions may cause corrosion.

Sold subject to pack quantity.

Order No.	Insert driver	d ₁	h ₁	lh
A1021.AW0010	Square 7	28	6	18
A1021.AW0020	Square 8	28	6	18
A1021.AW0040	Triangle 7	28	6	18
A1021.AW0050	Triangle 8	28	6	18
A1021.AW0060	3mm Double Bit	28	6	18
A1021.AW0070	4mm Double Bit	28	6	18
A1021.AW0080	Slotted (2x4)	28	6	18



Available insert drivers:

Square 7	Square 8	Triangle 7	Triangle 8	3mm Double Bit	4mm Double Bit	2 x 4mm Slotted
						

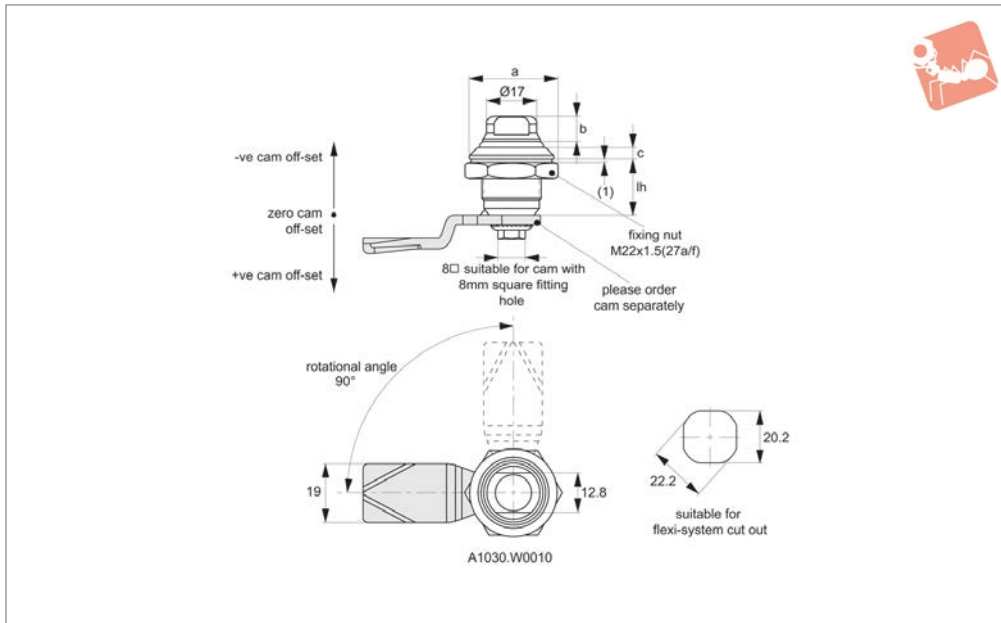


Cam Latches - Flexi-System

hygienic - stainless steel



Cam Latches



A1030

CAM LATCHES

Material

Body, inset and screw: stainless steel AISI 316.

Fitted with sealing gasket to achieve IP65 rating.

Sealing washer: silicone.

Not supplied: CAM nor KEY - order separately.

Technical Notes

Order cam key separately.

No need for key. Designed for use with spanner.

Cams: see suitable cam A0203 (steel), A0210 (stainless). Select „without projection“ cam type.

Dimensions ch and cl relate to cam. Use formula to calculate ch (required cam off-set), and refer to cam selection chart;

ch = h - lh where;

ch = required cam off-set/height.

h = grip length (distance between inside of latch face and front of cam).

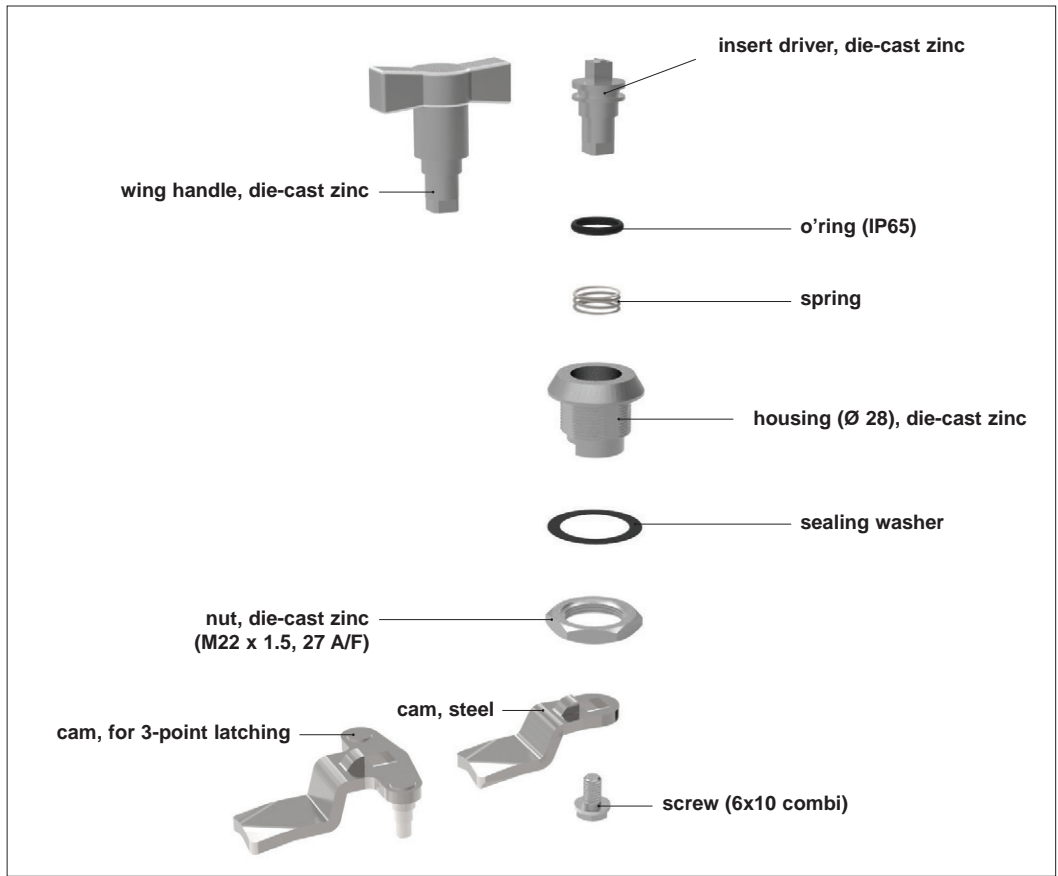
lh = body length of cam latch/lock to be used (see product table below).

Order No.	Extruded driver	a	b	lh	c
A1030.AW0010	Stadium	28	8	18	4

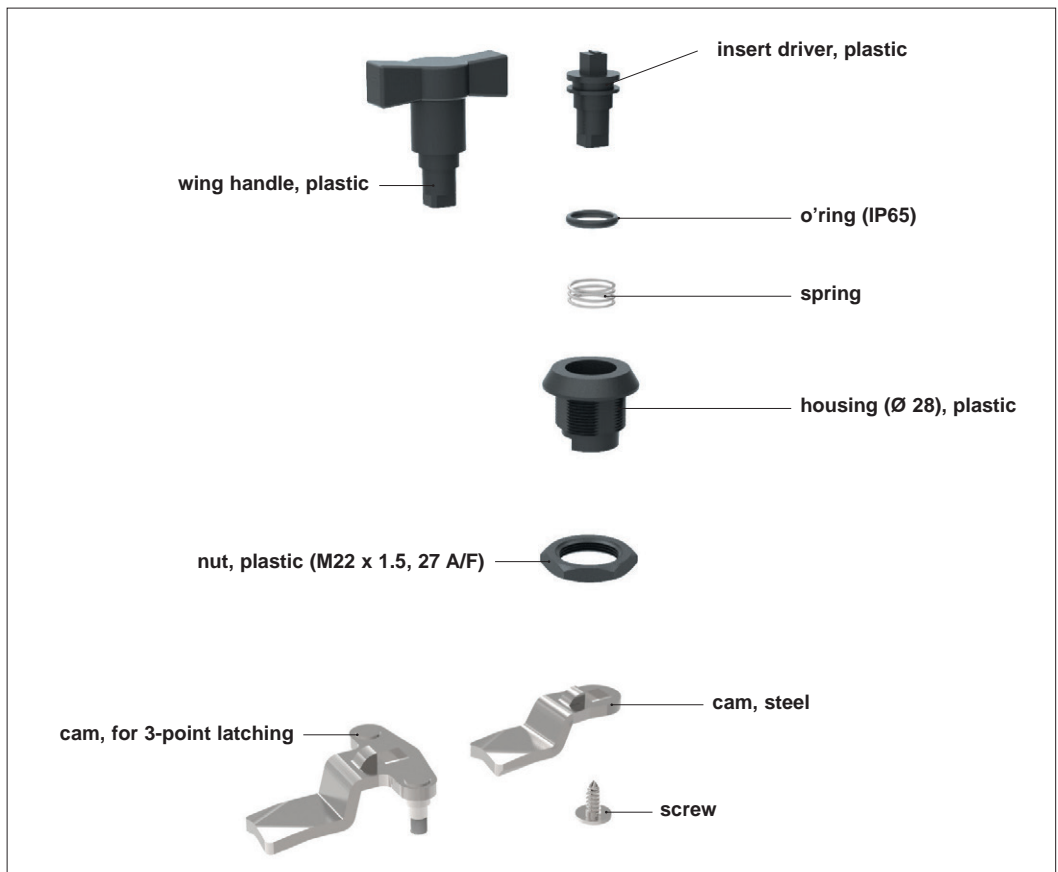


Die-cast Zinc: A1003, A1181

(also A1103 in stainless steel).



Plastic: A1021, A1181



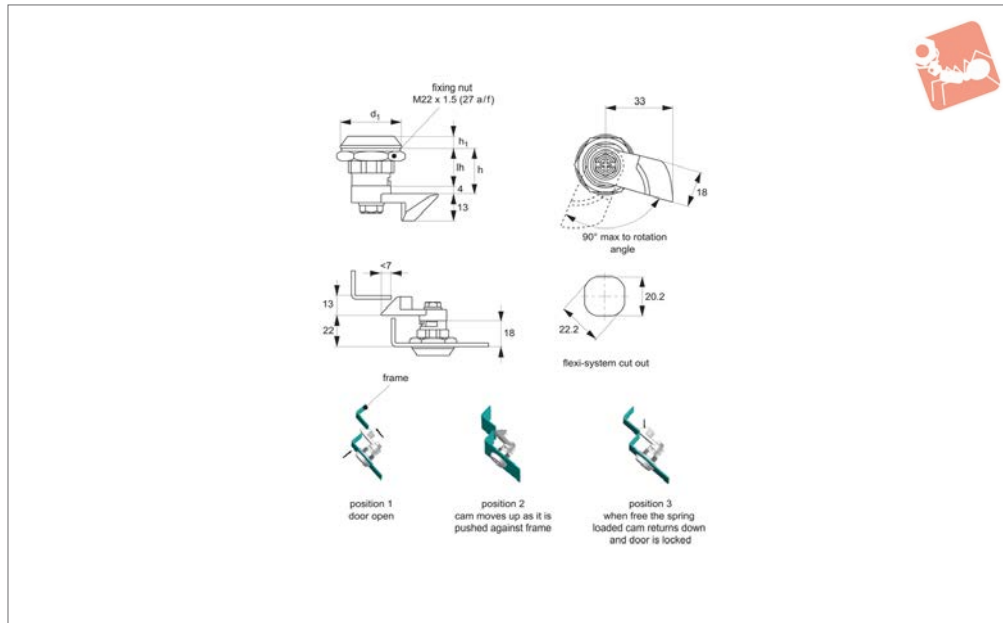


Cam Latches - Flexi-System

insert driver - push to close - fixed grip - zinc



Cam Latches



A1041

CAM LATCHES

Material

Body & Insert: die cast zinc, bright chrome plated.

Supplied with: Cam: die cast zinc, bright chrome plated - fixed off-set of 4mm.

Not supplied: KEY - order separately.

Technical Notes

Order key separately.

Keys: see A0102.

Tips

Spring loaded cam provides depress-to-lock action. See application drawings for operation. Quarter turn opening or closing. Right hand type for panel with hinges on right side, left hand type for panels with hinges on left side. Grip length of cam

fixed at 22mm (lh + 4mm).

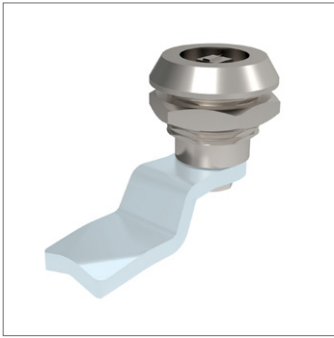
Important Notes

Sold subject to pack quantity.

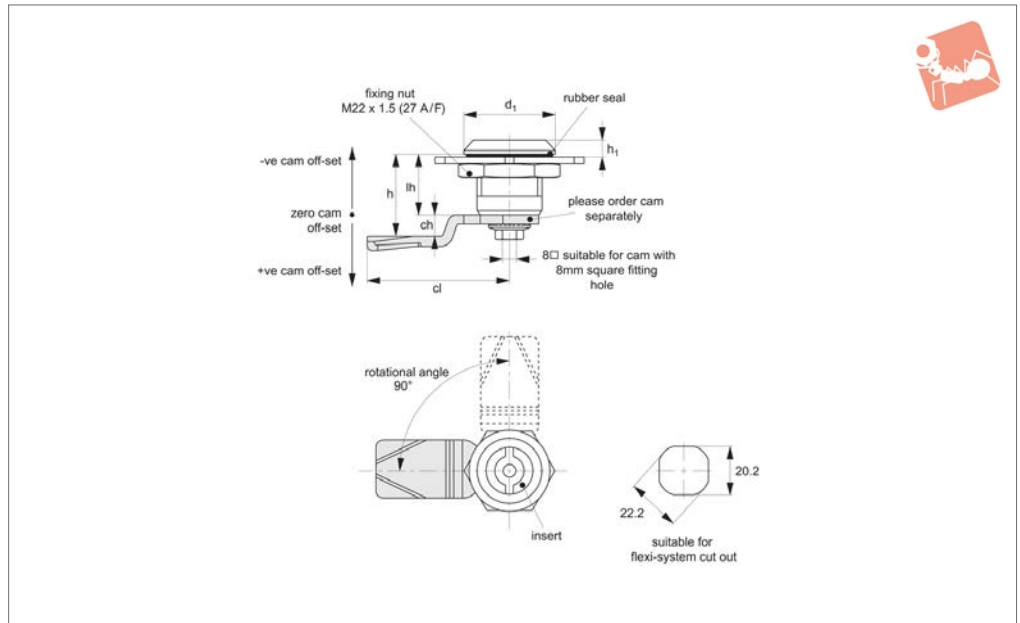
Order No.	Type	Insert driver	d ₁	h ₁	lh	h
A1041.AW0020	Right	Square 8	28	4	18	22
A1041.AW0050	Right	Triangle 8	28	4	18	22
A1041.AW0070	Right	4mm Double Bit	28	4	18	22
A1041.AW0080	Right	Slotted (2x4)	28	4	18	22
A1041.AW0520	Left	Square 8	28	4	18	22
A1041.AW0550	Left	Triangle 8	28	4	18	22
A1041.AW0570	Left	4mm Double Bit	28	4	18	22
A1041.AW0580	Left	Slotted (2x4)	28	4	18	22

Available insert drivers:

Square 8	Triangle 8	4mm Double Bit	2 x 4mm Slotted



A1103



Material

Body & Insert: stainless steel, AISI 304.
 Insert fitted with O'ring to achieve IP54 rating. Internal spring provides 1,5mm torsion.

Supplied with: Nut: stainless steel.

Sealing washer: PU & Rubber.

Not supplied: CAM nor KEY - order separately.

Technical Notes

Order cam and key separately.

Cams: see suitable cam A0210. Select „without projection“ cam type.

Dimensions ch and cl relate to cam. Use formula to calculate ch (required cam off-set), and refer to cam selection chart;

$ch = h - lh$ where;

ch = required cam off-set/height.

h = grip length (distance between inside of latch face and front of cam).

lh = body length of cam latch/lock to be used (see product table below).

Keys: see A0102.

Rods & Guides: to achieve 3-point latching - A0303, A0321, A0325.

Order No.	Insert driver	d_1	h_1	lh
A1103.AW0020	Square 8	28	6	18
A1103.AW0040	Triangle 7	28	6	18
A1103.AW0050	Triangle 8	28	6	18
A1103.AW0060	3mm Double Bit	28	6	18
A1103.AW0070	4mm Double Bit	28	6	18

Available insert drivers:

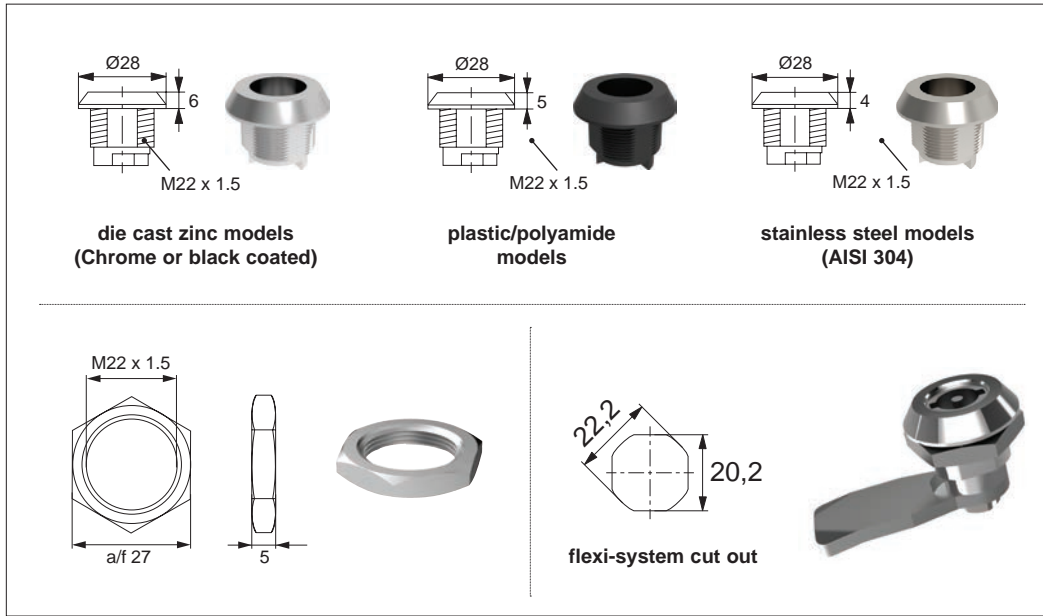
Square 8	Triangle 7	Triangle 8	3mm Double Bit	4mm Double Bit
8	6.5	8	Ø 3	Ø 4



Wixroyd Cam Latches

general information

Cam Latches and Locks



Dimensions of our cam latch housings

Dimensions apply to our standard range of flexi-system cam latches.

CAM LATCHES

Available insert drivers for flexi-system latches

3mm double bit <input checked="" type="checkbox"/> <input type="checkbox"/> <input type="checkbox"/> <input type="checkbox"/>	4mm double bit <input checked="" type="checkbox"/> <input type="checkbox"/> <input type="checkbox"/> <input type="checkbox"/>	6mm square <input type="checkbox"/>	7mm square <input checked="" type="checkbox"/> <input type="checkbox"/> <input type="checkbox"/>	8mm square <input checked="" type="checkbox"/> <input type="checkbox"/> <input type="checkbox"/> <input type="checkbox"/>
7mm triangle <input checked="" type="checkbox"/> <input type="checkbox"/> <input type="checkbox"/> <input type="checkbox"/>	8mm triangle <input checked="" type="checkbox"/> <input type="checkbox"/> <input type="checkbox"/> <input type="checkbox"/>	9mm triangle <input checked="" type="checkbox"/> <input type="checkbox"/> <input type="checkbox"/>	Slotted <input checked="" type="checkbox"/> <input type="checkbox"/> <input type="checkbox"/>	Square 8mm with slot <input checked="" type="checkbox"/> <input type="checkbox"/> <input type="checkbox"/>
10mm hex <input checked="" type="checkbox"/> <input type="checkbox"/>	8mm hex <input checked="" type="checkbox"/> <input type="checkbox"/>	8mm hex security pin <input checked="" type="checkbox"/> <input type="checkbox"/>	13mm eastern european <input checked="" type="checkbox"/> <input type="checkbox"/>	Tubular <input checked="" type="checkbox"/> <input type="checkbox"/>

✓ Available as part of our standard range

✗ Available subject to a minimum order quantity

Available materials



ov-WA1004-A-T-WA1251-A-TCC0460-cam-latches-general-information-mh-Updated -26-10-2022



All our cam latches use a standard cut out dimension of 22,2 Ø and 20,2 square which accommodates many industry standards. Flexi-System parts are fully interchangeable, providing a completely flexible hardware system including two or three point latching systems.

Flexi-system

CAM LATCHES



insert driver cam latches



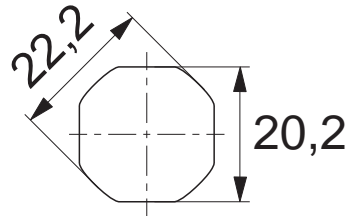
padlockable cam latches



wing handle cam latches



extended grip cam latches



flexi-system cut out



cam locks



t-handle locks



I-handle locks



compression latches



Wixroyd Cam and Compression Latches

flexi-system cut out product selection charts



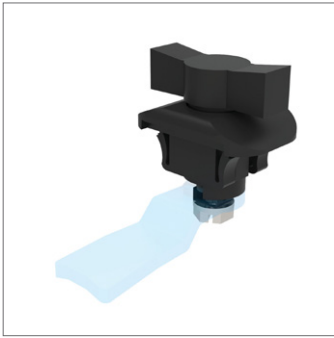
Cam Latches and Locks

flexi-system cut out 	Actuation Method			Body length (mm)	Body			Finishes			Cam Type		IP Rating
	Insert Driver	Cylinder Lock	Manual/Grip		Die-Cast Zinc	Polyamide Plastic	Stainless Steel	Chrome Plated	Black Coated	Natural	With Projection	W/O Projection	
A1003 - Cam Latch - Fixed Grip 	✓			18	✓			✓	✓		✓	54	
Cams: A0203, A0224, A0240 - Keys: A0102													
A1021 - Cam Latch - Fixed Grip 	✓			18	✓					✓	✓	54	
Cams: A0203, A0224, A0240 - Keys: A0102													
A1041 - Cam Latch - Push-to-Close - Fixed Grip 	✓			18	✓			✓					
Cams: Supplied - Keys: A0102													
A1103 - Cam Latch - Fixed Grip 	✓			18		✓				✓	✓	54	
Cams: A0210 - Keys: A0102													
A1161 - Cam Latch - Padlockable - Fixed Grip 		✓		18	✓			✓	✓		✓		
Cams: A0203, A0224, A0240 - Keys: Padlockable													
A1168 - Cam Latch - Dust Proof Cap - Fixed Grip 	✓			18	✓			✓			✓	54	
Cams: A0203, A0224, A0240 - Keys: A0102													
A1181 - Cam Latch - Wing Handle - Fixed Grip 		✓		18,5	✓	✓		✓	✓	✓	✓	54	
Cams: A0203, A0224, A0240 - Keys: N/A													

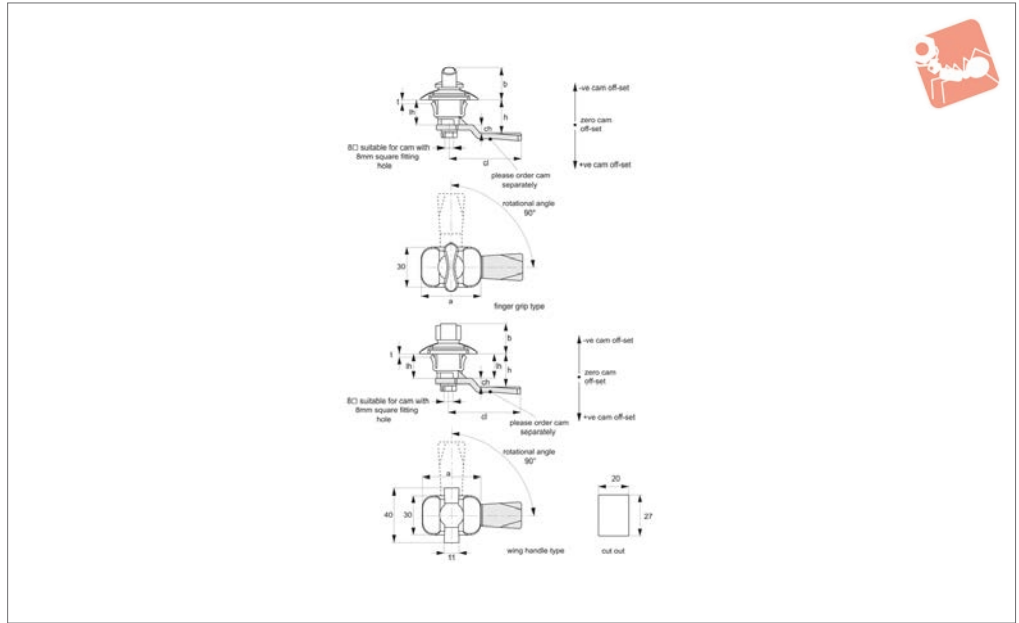
	Actuation Method			Body length (mm)	Body			Finishes			Cam Type		IP Rating
	Insert Driver	Cylinder Lock	Manual/Grip		Die-Cast Zinc	Polyamide Plastic	Stainless Steel	Chrome Plated	Black Coated	Natural	With Projection	W/O Projection	
A1203 - Cam Latch - Finger Handle - Fixed Grip 		✓		Various	✓					✓	✓	54	
Cams: A0203, A0224, A0240 - Keys: N/A													
A1210 - Cam Latch - Tamper Evident 		✓		20	✓					✓		54	
Cams: A0203, A0224, A0240 - Keys: N/A													
A1241 - Cam Latch - Stepped Grip 	✓			Various	✓					✓		65	
Cams: Supplied - Keys: A0102													
A1251 - Cam Latch - Fixed Extended Body 	✓			Various	✓					✓		54	
Cams: A0203, A0224, A0240 - Keys: A0102													
A1580 - Compression Latch - Fixed Grip 		✓		18	✓					✓		54	
Cams: N/A - Keys: A0102													
A1601 - Compression Latch - Fixed Grip 	✓			31	✓					✓	✓	54	
Cams: A0203, A0224 - Keys: A0102													
A1603 - Compression Latch - Fixed Grip 	✓			38	✓					✓		54	
Cams: A0231, A0233 - Keys: A0102													

CAM LATCHES

ov-WA1003-A-TCC0400-WA1251-A-TCC0460-cam-compression-latches-product-selection-chart-a-rmh-Updated-27-10-2022



A1185



Material

Body and Handle: Black plastic (PA6).

Not supplied: Cam - order separately.

Technical Notes

Order cam and key separately.

Cams: see suitable cam A0203, A0224 and A0240. Select „with projection“ cam type.

Dimensions ch and cl relate to cam. Use formula to calculate ch (required cam off-

set), and refer to cam selection chart;

$ch = h - lh$ where;

ch = required cam off-set/height.

h = grip length (distance between inside of latch face and front of cam).

lh = body length of cam latch/lock to be used (see product table below).

Suitable for panel thickness 0,8-2mm

Keys: see A0102.

Tips

Easy snap on fix mounting. Make cut out in panel as shown, and simply push in handle, snap on clips will spring back to securely mount handle.

Wing handle enables easy actuation without the need for a key.

Order No.	Handle	a	b	t	lh
A1185.AW0010	Wing Handle	43	22.5	0,8-2	18.5
A1185.AW0020	Finger Grip	43	24	0,8-2	18.5

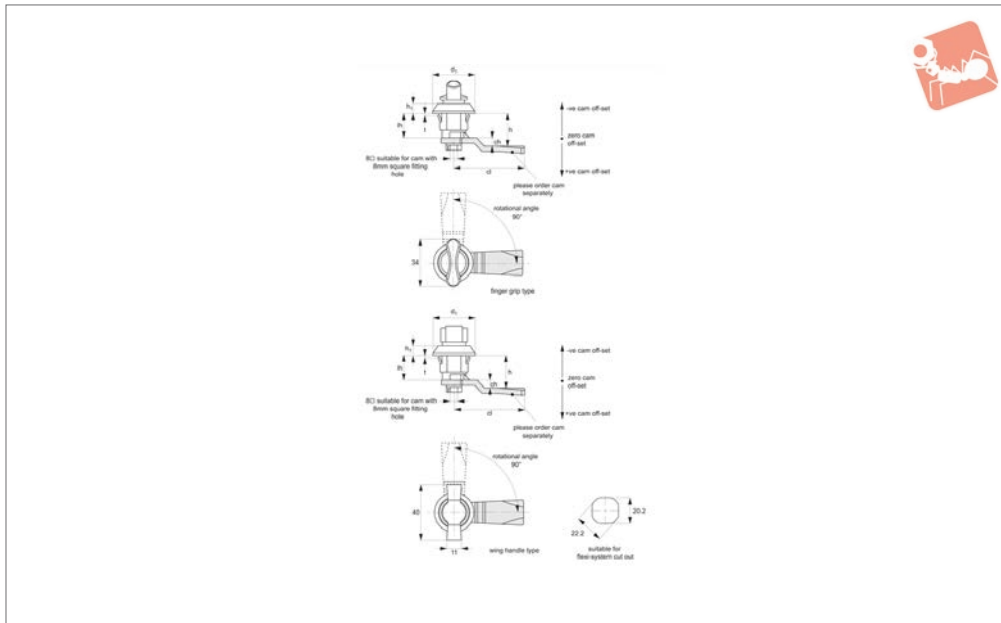


Cam Latches - Snap in - Flexi-System

Wing handle, fixed grip, zinc



Cam Latches



A1195

CAM LATCHES

Material

Body and Handle: Black plastic (PA6).
Not supplied: Cam - order separately.

Technical Notes

Order cam and key separately.

Cams: see suitable cam A0203, A0224 and A0240. Select „with projection“ cam type. Dimensions ch and cl relate to cam. Use formula to calculate ch (required cam off-

set), and refer to cam selection chart;

ch = h - lh where;

ch = required cam off-set/height.

h = grip length (distance between inside of latch face and front of cam).

lh = body length of cam latch/lock to be used (see product table below).

Suitable for panel thickness 0,8-1.5mm

Keys: see A0102.

Tips

Easy snap on fix mounting. Make cut out in panel as shown, and simply push in handle, snap on clips will spring back to securely mount handle.

Wing handle enables easy actuation without the need for a key.

Order No.	Handle	d ₁	h ₁	t	lh
A1195.AW0010	Finger Grip	Ø30	7.5	0,8-1,5	18
A1195.AW0020	Wing Handle	Ø30	7.5	0,8-1,5	18



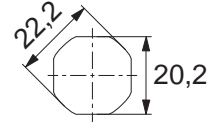
When selecting a Wixroyd Cam Latch for your application, you need to answer these questions:

1. Which installation cut out?
2. Which body style?
3. Which locking key?
4. Which accessories?
5. Which cam type and size?

Step 1: Which installation cut out?

Cut out

All our Flexi-System cam latches use a standard installation cut out 22,2 dia, 20,2 square, for maximum flexibility. We also provide a number of alternative cut out dimensions for legacy/historical installations.



flexi-system cut out

Step 2: Which body style?

Material and finish

Select from our variety of die cast zinc, polyamide plastic and stainless versions.



Die-cast zinc chrome plate

Die-cast zinc black coated

Polyamide black

Stainless steel

Actuation and locking method

Standard insert driver type, cylinder lock or wing handle type.



Insert driver

Cylinder lock

Wing handle

Number of latching points in application

Typically single point latching is required, but the Wixroyd Flexi-System also provides multi-point latching (typically 3 point - at lock point, top and bottom of cabinet).



Single point

Two point

Multi-point

Step 3: Which locking key?

Standard insert driver keys

Our range of insert driver cam latches require a simple key to actuate. Refer to part A0102 and A0103 for correct keys.



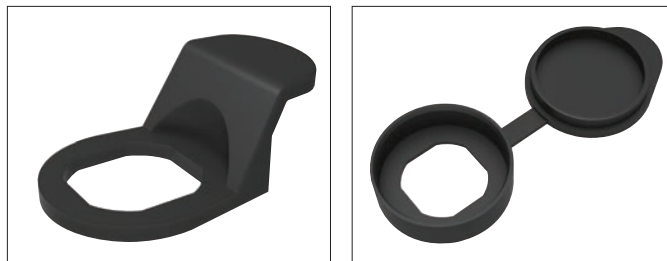
Cylinder locking

Our cam locks with cylinder locks are supplied with two keys per lock. Available as keyed alike or keyed to differ locks.



Step 4: Which accessories?

- Multi-point latching: use our rod set A0303 to A0325 for suitable rods and rod guides.
- Finger pulls: easily installed with any of our flexi-system cam bodies, finger pull no. A0352 is a simple, cost effective handle for your cabinets.
- Dust Cap: to reduce material ingress.

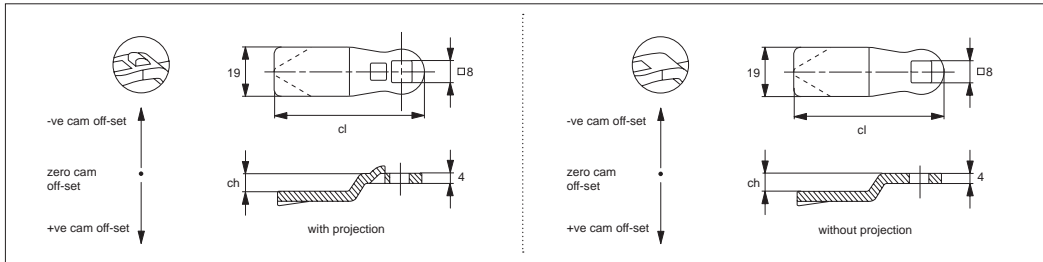


Selecting the Correct Cam Latch or Lock

Cam Latches and Locks

With or without "Projection"

Different cam bodies require cams either with or without projection.



With projection cams prevent turning of the cam over 45°, but is not suited to all cam bodies. For correct projection type please see individual cam body technical pages.

Number of Latching Points

Single point cams are suitable where just single point latching is required. Multi-point cams are for applications requiring 2 or 3 latching points.

Step 5: Which cam type and size?

Wixroyd cams are available in a number of different materials; zinc plated steel, stainless steel (AISI 304) and black plastic.

Cam off-set (dimension ch)

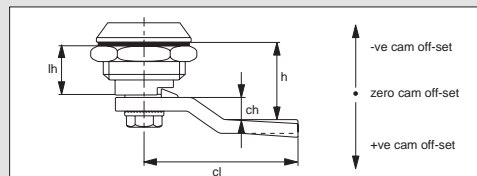
To ensure your cam fully and correctly engages with the frame of your door the correct cam off-set must be selected. A cam off-set can be either negative (-ve) or positive (+ve).

Cam length (dimension cl)

This impacts the reach of the cam to door frame and hence impacts positioning of cam body for installation. Cam length is measured from the centre of the cam fixing hole to the cam's leading edge. Most typically cams are 45 mm in length.

Use formula to calculate ch (required cam off-set), and refer to the cam selection chart.

- ch = h - lh where;
- ch = the required cam off-set/height
- h = grip length (distance between inside of latch face and front of cam).
- lh = body length of cam latch/lock to be used (see example below)



Calculation of correct cam off-set

This is the most important aspect of the selection process.

Example one

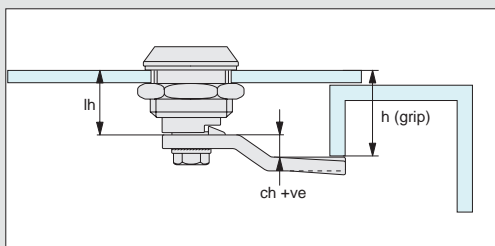
Cam body A1003.AW0010 has been selected for the application. If we refer to the data sheet for this part, suitable cams are parts A0203, A0210 or A0240 - "without projection".

Known application information: h = 26 lh = 18

Therefore; ch = 26 - 18 = +8

Cam off set of +8 is required

Using the data tables for cams A0203, A0210, and A0240 we can select the following cams without projection with an off set of +8; A0203.AW5408 (steel), A0210.AW0428 (stainless) or A0240.AW0108 (three point cam).



Example two

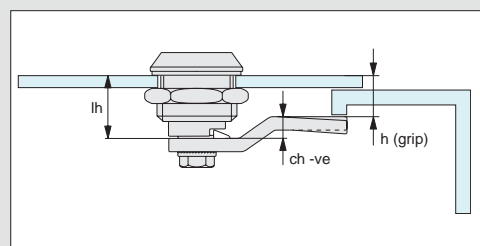
Cam body A1003.AW0010 has been selected for the application. If we refer to the data sheet for this part, suitable cams are parts A0203, A0210 or A0240 - "without projection".

Known application information: h = 14 lh = 18

Therefore; ch = 14 - 18 = - 4

The required cam off set is negative, - 4 as the application's door frame is effectively shorter/lower than the length of the cam body

Using the data tables for cams A0203, A0210 and A0240 we can select the following cam without projection with an off set of - 4; A0203.AW6404 (steel).



Example of calculation of correct cam off-set



Suitable With Projection Cams				
Compatible cam no.	A0261	A0203	A0210	A0240
Cam fitting hole	6 x 6 square 	8 x 8 square 	8 x 8 square 	8 x 8 square
Cam latch / lock no.	A1261 / A1281 / A2390	A2503 / A2504 A2523 / A2528	A2503 / A2504 A2523 / A2528	A2503 / A2504 A2523 / A2528

Suitable Without Projection Cams Table 1				
Compatible cam no.	A0203	A0210	A0240	A0243
Cam fitting hole	8 x 8 square 	8 x 8 square 	8 x 8 square 	8 x 8 square
Cam latch / lock no.	A1003 / A1021 / A1103 A1161 / A1168 / A1181 A1203 / A1210 / A1251 A1601 / A1620 / A1801 A2001 / A2203 / A2326 A2333 / A2392 / A2526 A4221 / A4241 / A4260 B1082 / B1086 / B1088 B1091 / B1092 / B1180 B1281 / B1285 / B1380 B1450 / B2091 / B2181	A1003 / A1021 / A1103 A1161 / A1168 / A1181 A1203 / A1210 / A1251 A1601 / A1620 / A1801 A2001 / A2203 / A2326 A2333 / A2392 / A2526 A4221 / A4241 / A4260 B1082 / B1086 / B1088 B1091 / B1092 / B1180 B1281 / B1285 / B1380 B1450 / B2091 / B2181	A1003 / A1021 / A1103 A1161 / A1168 / A1181 A1203 / A1210 / A1251 A1601 / A1620 / A1801 A2001 / A2203 / A2326 A2333 / A2392 / A2526 A4221 / A4241 / A4260 B1082 / B1086 / B1088 B1091 / B1092 / B1180 B1281 / B1285 / B1380 B1450 / B2091 / B2181	A1003 / A1021 / A1103 A1161 / A1168 / A1181 A1203 / A1210 / A1251 A1601 / A1620 / A1801 A2001 / A2203 / A2326 A2333 / A2392 / A2526 A4221 / A4241 / A4260 B1082 / B1086 / B1088 B1091 / B1092 / B1180 B1281 / B1285 / B1380 B1450 / B2091 / B2181

Suitable Without Projection Cams Table 2					
Compatible cam no.	A0250	A0234	A0215	A0231	A0233
Cam fitting hole	5 x 5 square 	6,3 dia. x 4,9 	7 x 7 square 	8 x 10 dia. 	8 x 10 dia.
Cam latch / lock no.	A4600 / A4620	A1661 / A1667	B2082 / B2084 / B2086 B2088 / B2285 / B2380	A1603 / A1611 A1630 / A1810	A1603 / A1611 A1630 / A1810

Calculation of correct cam off-set

Cam off-set

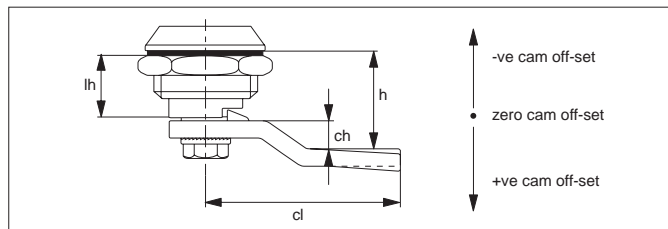
Use the formula to calculate your correct cam off-set:

$$ch = h - lh$$

ch = the required cam off-set.

h = distance between inside of lock face and front of cam (also referred to as "grip length").

lh = length of cam body to be used (refer to individual cam body data sheets).



Cam Off-Set (dimension ch)

To ensure your cam fully and correctly engages with the frame of your door the correct cam off-set must be selected. A cam off-set can be either negative (-ve) or positive (+ve).

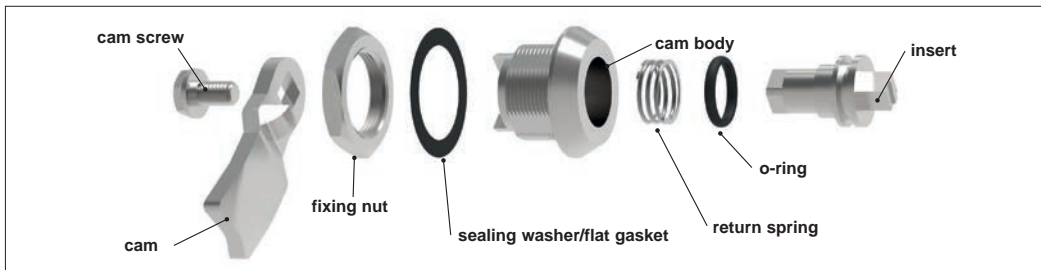
Cam Length (dimension cl)

Impacts reach of the cam to door frame and hence impacts positioning of cam body for installation. Cam length or reach is measured from the centre of the cam fixing hole to the cam's leading edge. Refer to individual cam body datasheets.



Wixroyd Cam Latches

technical specification and advice



Physical and chemical characteristics of polyamide

Physical condition	solid (at 20°C)
Density	> 1,0 g/cm ³
Yield Point	220°C
Smell	No particular smell
Dissolvability in water	Undissolvable
Segregation temperature	> 350°C
Fire Point	>390°C
Auto ignition temperature	> 400°C

Zinc

Zinc Alloy is the most fundamental material for the Wixroyd product range. Housings, inserts, handles, spacers, keys, hinges etc, are all die cast products. The zinc used is a zinc alloy with the following contents (except zinc): Al 4,03% Cu 0,83% as well as minor contents of Mg, Fe, Pb, Cd, Sn and Ni.

RoHS Compliance

Our Cam Latches are RoHS Compliant.



Materials

Plastic - Polyamide

Many of our products are made of injection moulded plastic, normally polyamide. When needed, we add fibreglass to the material, in order to optimise qualities of the product. Examples of products made out of polyamide: handles, housings, rod guides etc.

Degrees of sealing protection

A product classified to an IP rating has either been tested in an independent laboratory, or due to the resemblance of its structure to a tested product, classified as IP.

Important note: We can only guarantee our products correspond to the indicated classification when assembled and used correctly.

IP65 RATED

IP 65: Dust Tight and Jetting Secure. Through the application of an o-ring and a flat gasket, this higher classification can be achieved.

IP54 RATED

IP 54: Dust and Splash Protected. This is the standard classification for our products. Equivalent to NEMA3.

IP ratings

Character	Value	Standard
Density	1,35 g/cm ³	DIN 53479
Hardness	65 Shore A	DIN 53505
Breaking Strain	5 N/mm ²	DIN 53504
Expansion	200%	DIN 53504
Heat & cold resistance	max. 70°C, min. -35°C	

Through the application of a flat gasket between the lock and the door, class IP 65 or NEMA 4 is achieved.

Pressure deformation test			
Time/temp.	Type of test	Standard	Result
22h/100°C	DVR	DIN 53517 A	9%
70h/100°C	DVR	DIN 53517 A	12%

The flat gasket is made out of a mixture of NBR (Nitrile Rubber) and SBR (Styrolbutadiene Rubber). This gives the gasket a satisfactory chemical resistance and a good constancy to oil.

Flat gaskets/ Sealing Washer

Character	Value	Standard
Density	1,240 g/cm ³	DIN 53479
Hardness	71 Shore A	DIN 53505
Breaking strain	14 N/mm ²	DIN 53504
Expansion	280%	DIN 53504
Recoil elasticity	32%	DIN 53512
Heat & cold resistance	max. 120°C, min. -40°C	

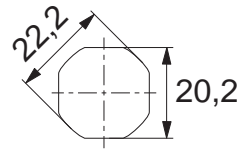
For all O-rings, an NBR material with the following technical characteristics is used.

O Rings



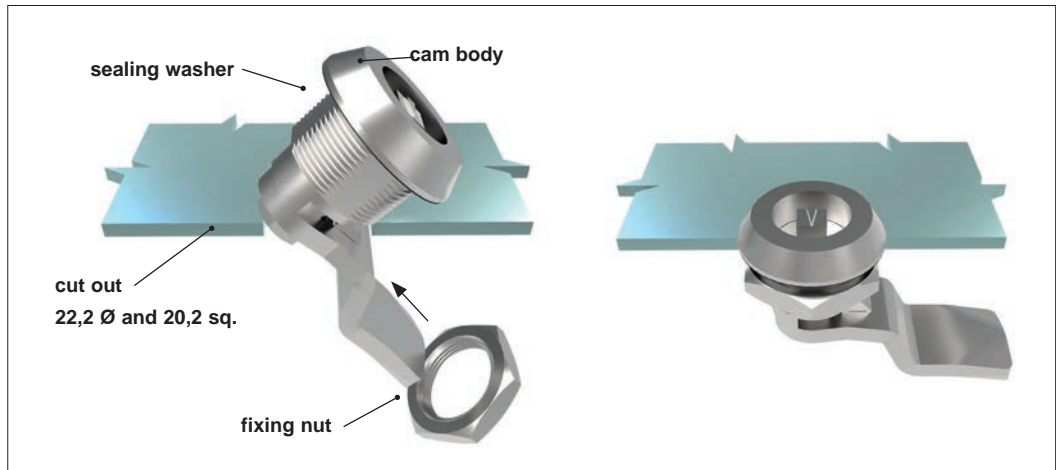
Flexi-system cut out

Our flexi-system is based on a standard installation cut out 22,2 Ø and 20,2 sq.



CAM LATCHES

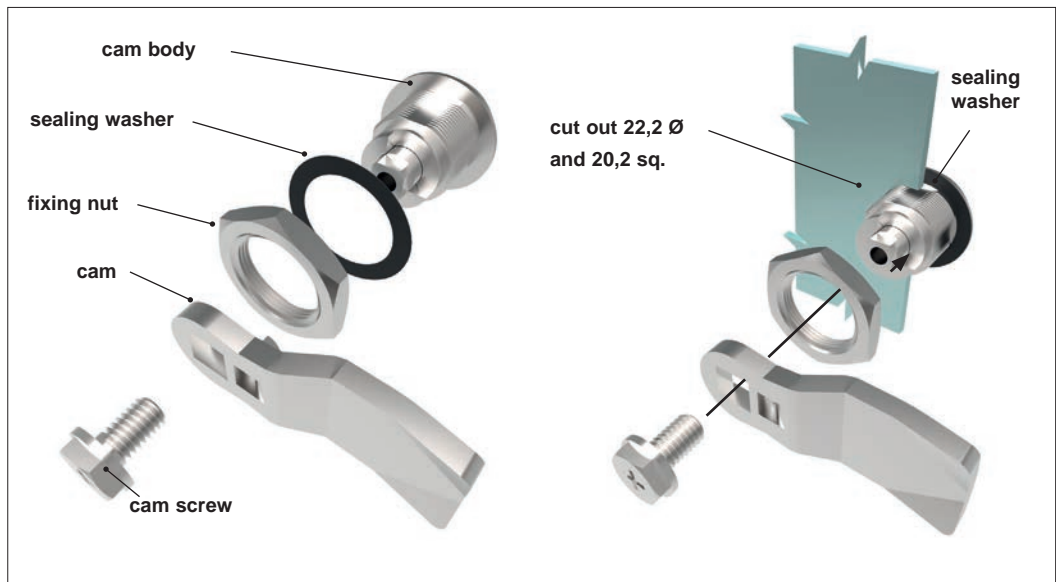
Option 1: Installation when fully assembled



When the cam latch grip (h) is 9mm or more this method is possible:-

1. With the cam body and cam fully assembled, attach the sealing washer to cam body.
2. Tilt the latch 45° and pass it, cam first, through the installation cut out in the panel.
3. When in place attach the fixing nut to the cam body to secure. Tighten to 10 Nm max.

Option 2: Installation unassembled



When the cam latch grip (h) is less than 9mm this method is suitable:-

1. Prior to commencing ensure that the cam body, cam, cam screw, fixing nut and sealing washer are completely unassembled.
2. Attach the sealing washer to the cam body and pass through installation cut out in panel.
3. Attach the fixing nut to the cam body to secure. Tighten to 10 Nm max.
4. Attach the cam to the cam body. Once you have ensured that the cam has the correct orientation toward the panel frame, secure the cam screw and tighten to 4 Nm.

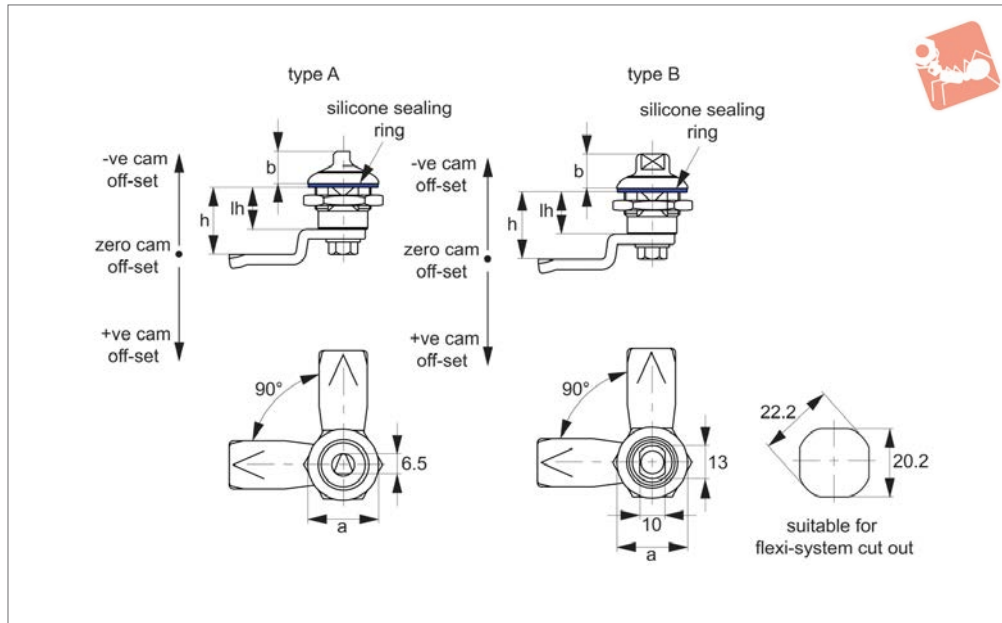


Cam Latches - 3A Standard

hygienic line, stainless steel



Cam Latches



A1104

CAM LATCHES

Material

Body: Stainless steel AISI304
 Handle: Stainless steel AISI304
 Blue gasket: silicone
 Gaskets provide IP69K rating.

Supplied with: Nut and screw: Stainless steel AISI304

Not Supplied: CAM nor KEY - order separately.

Technical Notes

Order cam and key separately.
 Cams: see suitable cam A0203 (steel) and

A0210 (Stainless Steel)

A0224 and A0240.

Select „without projection“ cam type.

Dimensions ch and cl relate to cam.

Use formula to calculate ch (required cam off-set), and refer to cam selection chart;
 $ch = h - lh$ where;

ch = required cam off-set/height.

H = grip length (distance between inside of latch face and front of cam).

lh = body length of cam latch/lock to be used (see product table below).

Keys: see A0104.

Tips

Made to the high „3A“ standard.

This ensures it meets the high standards required for use in food, beverage, pharmaceutical and medical applications.

Hygienically designed for effective and easy cleaning, corrosion resistant, non-toxic.

Design precludes contamination by dirt, food particles and organic matter.

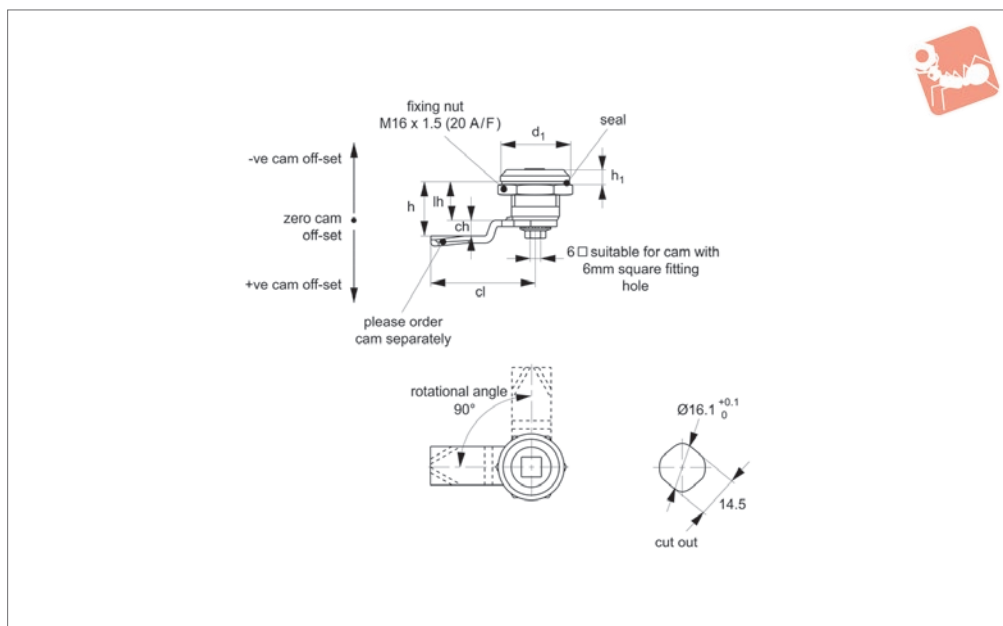
Order No.	Insert driver	a	b	lh
A1104.AW0010	triangle 7	28	13	18
A1104.AW0110	Stadium	28	13	18



CAM LATCHES



A1261



Material

Type one: Body & insert: die cast zinc, chrome plated or black powder coated.

Supplied with: Keys: two per lock.

Not supplied: CAM - order separately.

Technical Notes

Order cam and key separately.

Cams: see suitable cam A0261. Select „with projection“ cam type to prevent cam

rotating over 45°.

Dimensions ch and cl relate to cam. Use formula to calculate ch (required cam off-set), and refer to cam selection chart;

ch = h - lh where;

ch = required cam off-set/height.

h = grip length (distance between inside of latch face and front of cam).

lh = body length of cam latch/lock to be

used (see product table below).

Keys: see A0102.

Tips

Mini cam latches for any application; securing doors, cabinets etc. Quarter-turn opening or closing.

Important Notes

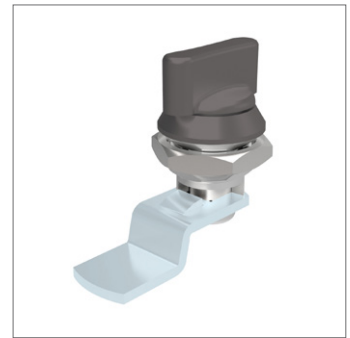
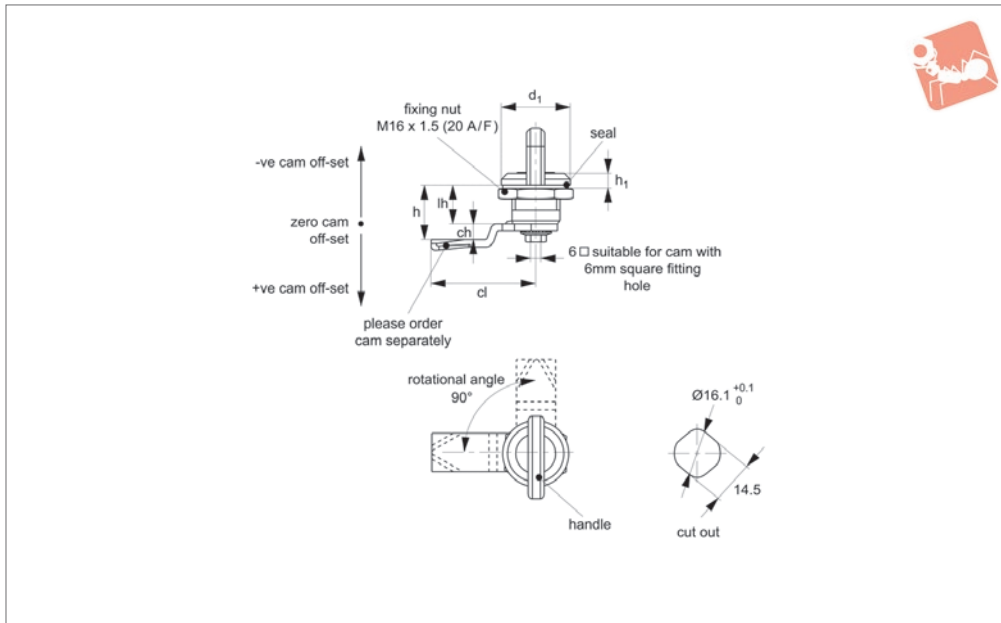
Sold subject to pack quantity.

Order No.	Insert driver	Finish	d ₁	h ₁	lh
A1261.AW0006	Square 6	Chrome	20	4	12.5
A1261.AW0078	Slot (2x4)	Chrome	20	4	12.5
A1261.AW0306	Square 6	Black Coated	20	4	12.5
A1261.AW0378	Slot (2x4)	Black Coated	20	4	12.5



Mini Cam Latches

wing handle - fixed grip - zinc



A1281

CAM LATCHES

Material

Body & insert: die cast zinc, chrome plated or black powder coated.

Handle: black plastic, PA6.

Not supplied: CAM - order separately.

Technical Notes

Order cam separately.

Cams: see suitable cam A0261. Select „with projection“ cam type to prevent cam

rotating over 45°.

Dimensions ch and cl relate to cam. Use formula to calculate ch (required cam off-set), and refer to cam selection chart;

ch = h - lh where;

ch = required cam off-set/height.

h = grip length (distance between inside of latch face and front of cam).

lh = body length of cam latch/lock to be

used (see product table below).

Tips

Wing knob actuates lock, and also acts as knob/handle.

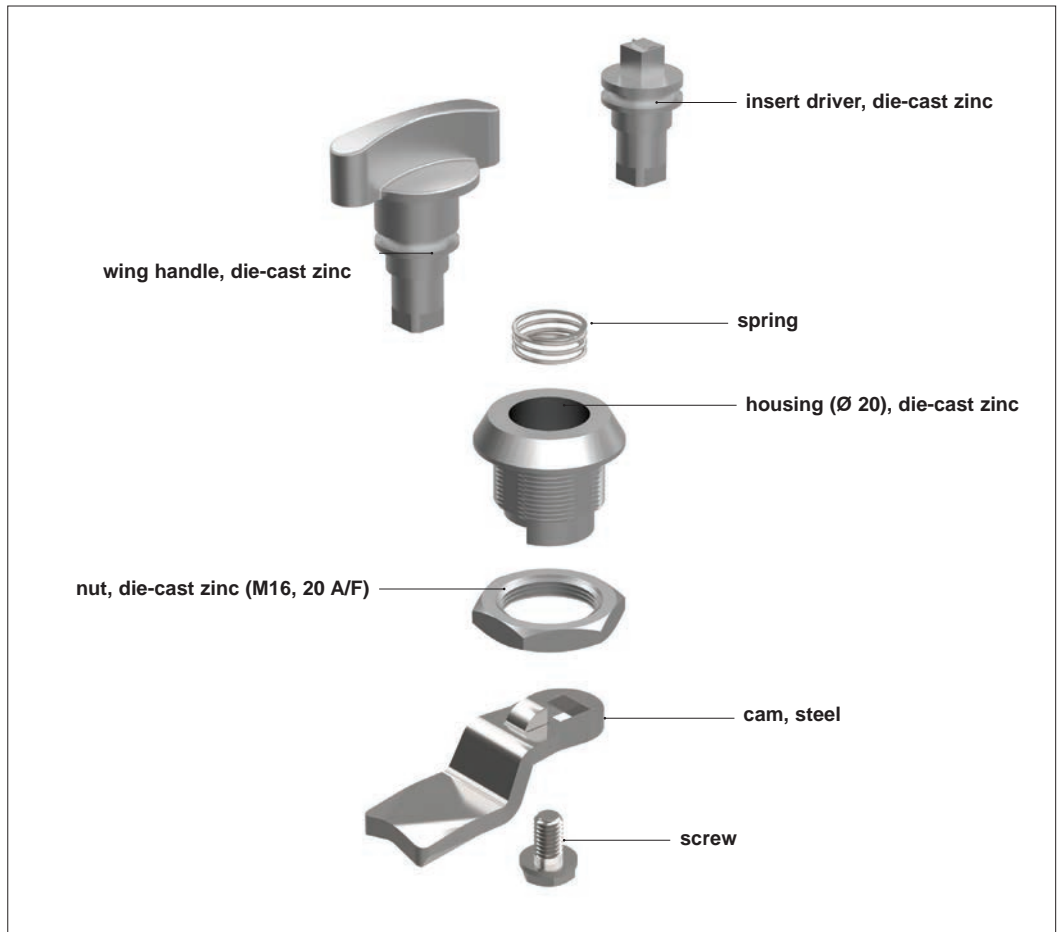
Important Notes

Sold subject to pack quantity.

Order No.	Handle	Body	d ₁	h ₁	lh
A1281.AW0110	Black Plastic	Chrome Plated	20	4	12.5
A1281.AW0120	Black Plastic	Black Powder	20	4	12.5



Die-cast zinc:
A1261, A1281



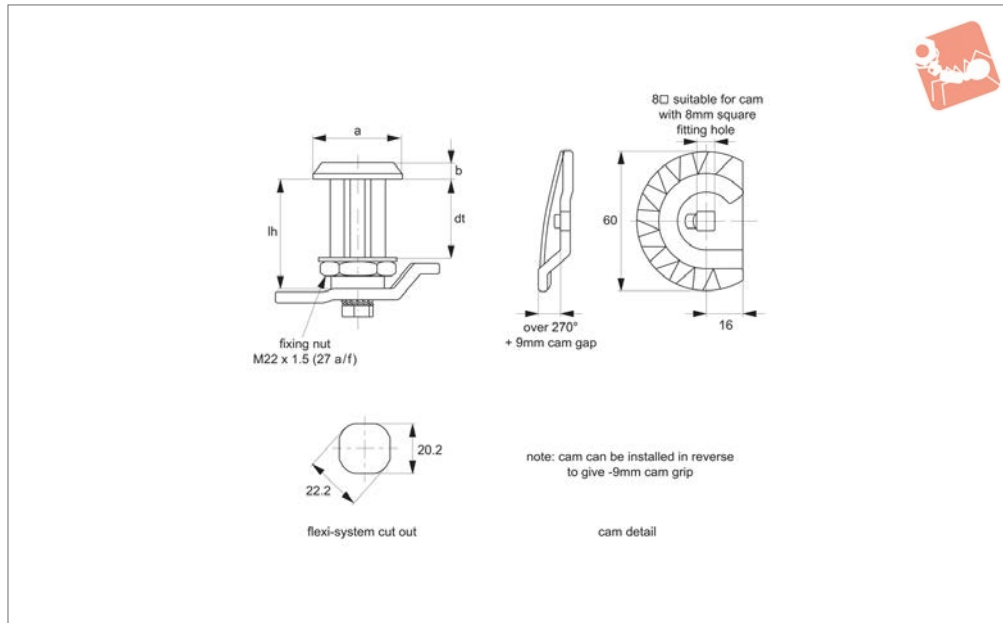


Cam Latches - Flexi-System

insert driver - stepped cam - extended body - zinc



Cam Latches



A1241

CAM LATCHES

Material

Body: die cast zinc, chrome plated. Insert fitted with O'ring to achieve IP54 rating.

Supplied with: Nut: steel, zinc plated.

Sealing washer: PU & rubber.

Stepped cam: die cast zinc, 9mm step over 270° rotation, 60mm dia.

Not supplied: KEY - order separately.

Technical Notes

Order keys separately. Suitable keys - A0102.

Tips

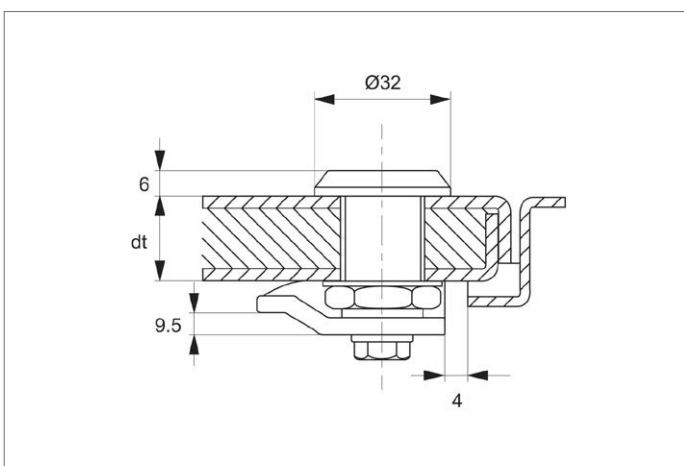
Stepped cam ideal for air conditioning

units, sound proof or isolation doors. Very tight closure of door possible, due to stepped cam over a 270° rotation.

Important Notes

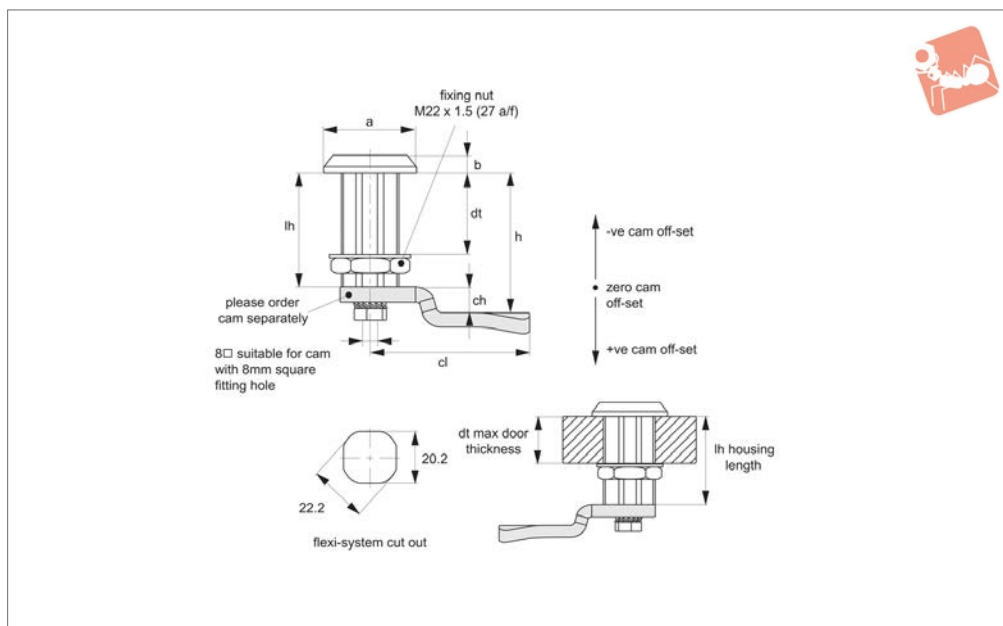
Sold subject to pack quantity.

Order No.	Insert driver	lh	dt door thickness max.	a	b
A1241.AW0311	Square 7	40	30	32	6
A1241.AW0411	Square 7	50	40	32	6





A1251



Material

Body & insert: die cast zinc, chrome plated.
Insert fitted with O'ring to achieve IP54 rating.

Supplied With: Nut: steel, zinc plated.

Sealing washer: PU & Rubber.

Not supplied: CAM nor KEY - order separately.

Technical Notes

Order cam and key separately.

Cams: see suitable cam A0203, A0224 and A0240. Select „without projection“ cam

type.

Dimensions ch and cl relate to cam. Use formula to calculate ch (required cam off-set), and refer to cam selection chart;

ch = h - lh where;

ch = required cam off-set/height.

h = grip length (distance between inside of latch face and front of cam).

lh = body length of cam latch/lock to be used (see product table below).

Keys: see A0102.

Rods & Guides: to achieve 3-point latching

- A0303, A0321, A0325.

Tips

Ideal for air conditioning units, sound-proof or isolation doors, as well as wooden panels. Insert quarter-turn opening or closing.

Slotted insert driver does not require a key. Simply use a flat head screwdriver to actuate.

Important Notes

Sold subject to pack quantity.

Order No.	Insert driver	lh	dt	a	b
A1251.AW0011	Square 7	28	20	28	4
A1251.AW0021	Square 8	28	20	28	4
A1251.AW0041	Triangle 7	28	20	28	4
A1251.AW0051	Triangle 8	28	20	28	4
A1251.AW0061	3mm Double Bit	28	20	28	4
A1251.AW0071	4mm Double Bit	28	20	28	4
A1251.AW0081	Slotted (2x4)	28	20	28	4
A1251.AW0311	Square 7	36	30	28	4
A1251.AW0321	Square 8	36	30	28	4
A1251.AW0341	Triangle 7	36	30	28	4
A1251.AW0351	Triangle 8	36	30	28	4
A1251.AW0361	3mm Double Bit	36	30	28	4
A1251.AW0371	4mm Double Bit	36	30	28	4
A1251.AW0381	Slotted (2x4)	36	30	28	4
A1251.AW0511	Square 7	62	50	28	4
A1251.AW0521	Square 8	62	50	28	4
A1251.AW0551	Triangle 8	62	50	28	4
A1251.AW0561	3mm Double Bit	62	50	28	4
A1251.AW0571	4mm Double Bit	62	50	28	4
A1251.AW0581	Slotted (2x4)	62	50	28	4



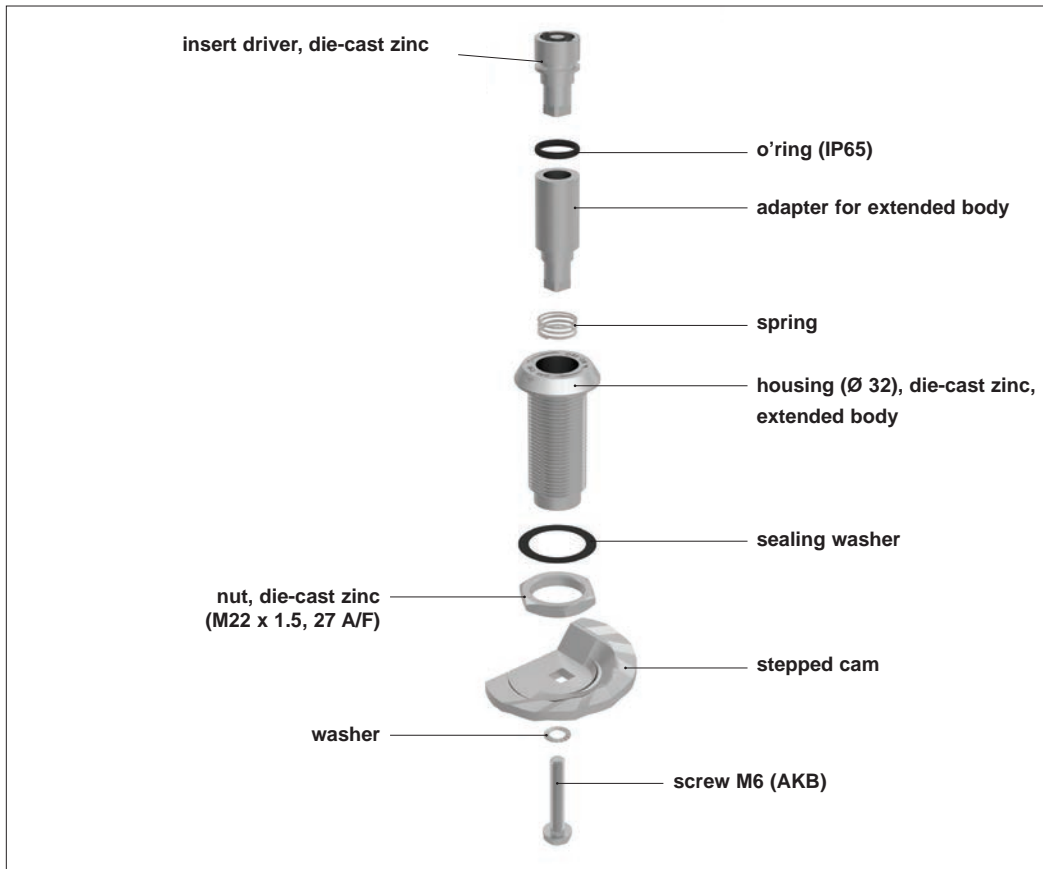
Wixroyd Extended Body Cam Latch

exploded view and assembly

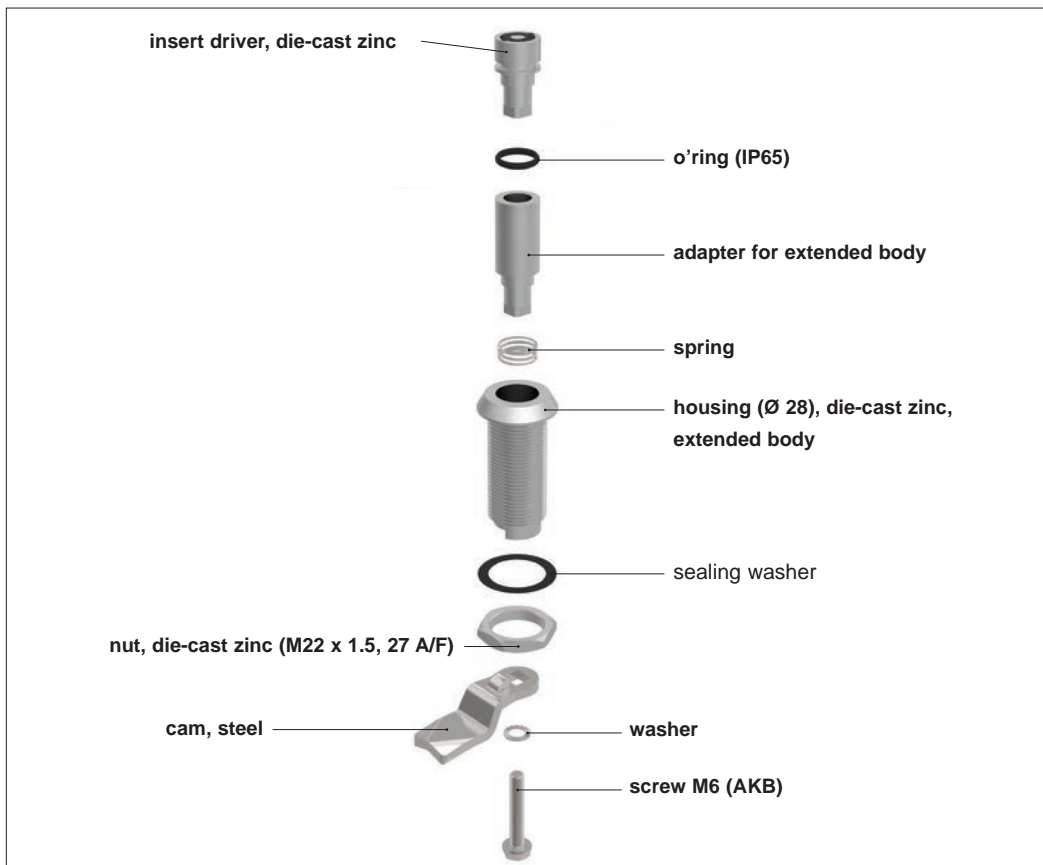


Cam Latches and Locks

Stepped cam: A1241



Extended body cam latch: A1251

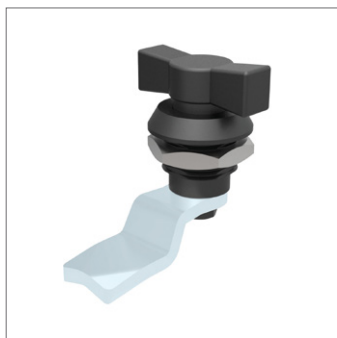


CAM LATCHES

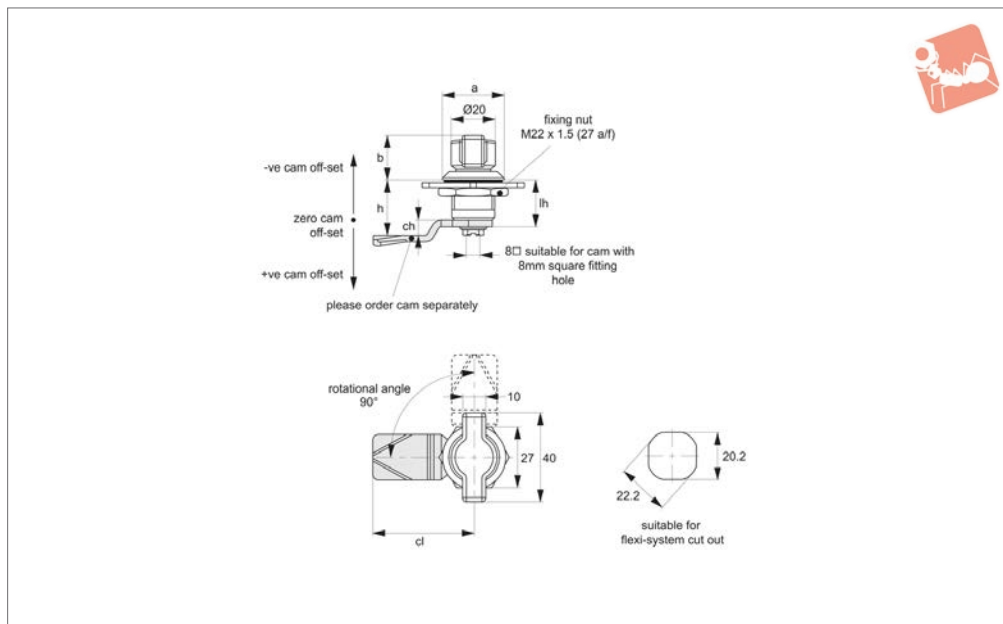
ov-WA1241-A-T-WA1251-A-TCC0460-extended-body-cam-latch-exploded-view-assembly-rmh- Updated -27-10-2022



CAM LATCHES



A1181



Material

Body: die cast zinc.

Handle: black plastic (PA6).

Not supplied: CAM - order separately.

Technical Notes

Order cam separately.

Cams: see suitable cam A0203, A0224 and A0240. Select „without projection“ cam type.

Dimensions **ch** and **cl** relate to cam. Use formula to calculate **ch** (required cam off-set), and refer to cam selection chart;

ch = h - lh where;

ch = required cam off-set/height.

h = grip length (distance between inside of latch face and front of cam).

lh = body length of cam latch/lock to be used (see product table below).

Rods & Guides: to achieve 3-point latching - A0303, A0321, A0325.

Tips

Wing actuates lock, and also acts as a knob/handle. Quarter-turn opening or closing.

Important Notes

Sold subject to pack quantity.

Order No.	Body finish	Handle	a	b	lh
A1181.AW0110	Chrome Plated	Black Plastic	28	20	18
A1181.AW0210	Black Coated	Black Plastic	28	20	18
A1181.AW0510	Black Plastic	Black Plastic	28	20	18

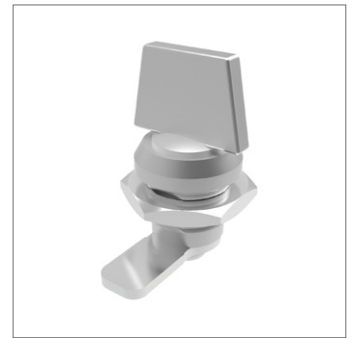
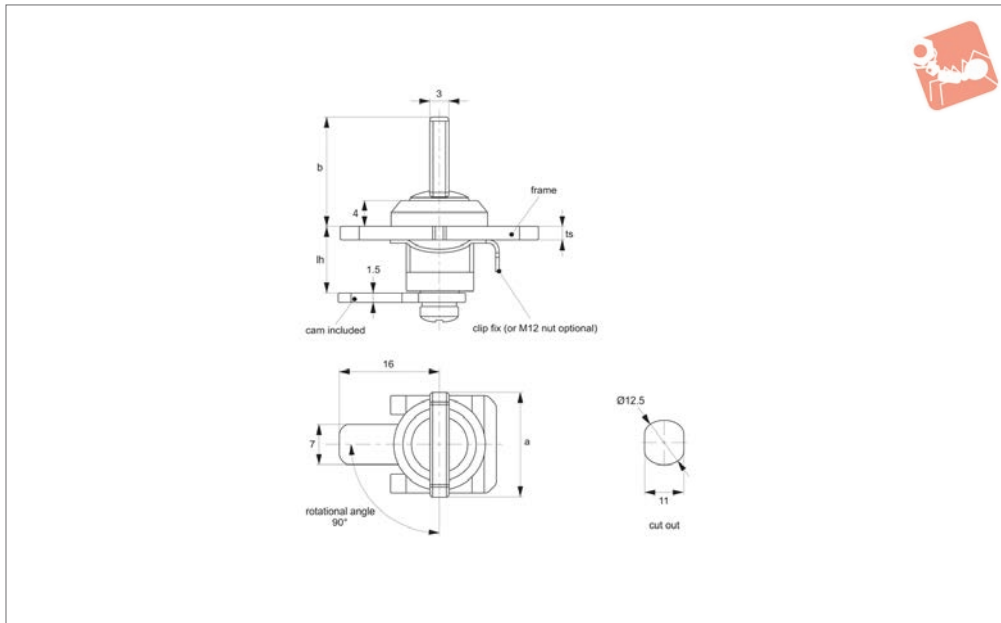


Mini Cam Latches - Wing Handle

fixed grip - zinc



Cam Latches



A1192

CAM LATCHES

Material

Body & Handle: die cast zinc, bright chrome plated.

Supplied with: Cam.

Technical Notes

Suitable for max. panel thickness 1-2mm.

Can be fixed to panel either via spring clip fix, or M12 nut.




Tips

Quarter-turn opening or closing.
Wing actuates lock and also acts as knob/handle.

Order No.	Type	a	b	lh	ts
A1192.AW0175	Clip Fixing	17.5	16.5	10	1-2mm
A1192.AW1175	Nut Fixing	17.5	16.5	10	1-2mm



Miscellaneous Cut out	Actuation Method			Body length (mm)	Body			Finishes			Cam Type	
	Insert Driver	Cylinder Lock	Manual/Grip		Die-Cast Zinc	Polyamide Plastic	Stainless Steel	Chrome Plated	Black Coated	Natural	With Projection	W/O Projection
			✓	10	✓		✓					
A1192 - Mini Cam Latch - Wing Handle - Fixed Grip Cams: Supplied - Keys: N/A												
	✓			25		✓		✓			54	
A1506 - Panel Latches - Fixed Grip Cams: Supplied - Keys: A0102												
	✓			18	✓			✓				
A1520 - Cam Lock - Fixed Grip Cams: Supplied - Keys: A0102												
			✓		✓		✓					
A1546 - Panel Latch - Uncovered Cams: Supplied - Keys: N/A												
	✓			22,5	✓			✓				
A1561 - Panel Latch - with Cover Cams: Supplied - Keys: N/A												
	✓				✓		✓					
A1701 - Compression Latch - Lever Latch - Flush Trigger Cams: N/A - Keys: Supplied												
	✓			19	✓			✓				
A1707 - Compression Latch - Lever Latch - Raised Trigger Cams: Supplied - Keys: Supplied												
	✓				✓			✓				
A1751 - Compression Latch - Lever Latch Cams: N/A - Keys: Supplied												

Miscellaneous Cut out	Actuation Method			Body length (mm)	Body			Finishes			Cam Type	
	Insert Driver	Cylinder Lock	Manual/Grip		Die-Cast Zinc	Polyamide Plastic	Stainless Steel	Chrome Plated	Black Coated	Natural	With Projection	W/O Projection
	✓				✓			✓			✓	40
A4241 - Cam Latch - with Rod Control - Extended Cover Cams: A0203, A0224, A0240 - Keys: A0102												
		✓			✓			✓			✓	54
A4260 - Cam Lock - with Rod Control - Wing Handle - Extended Cover Cams: A0203, A0224, A0240 - Keys: A0102												
	✓			Various	✓			✓			✓	
A4221 - Cam Latch - with Rod Control - with Cover Cams: A0203, A0224 - Keys: A0102												

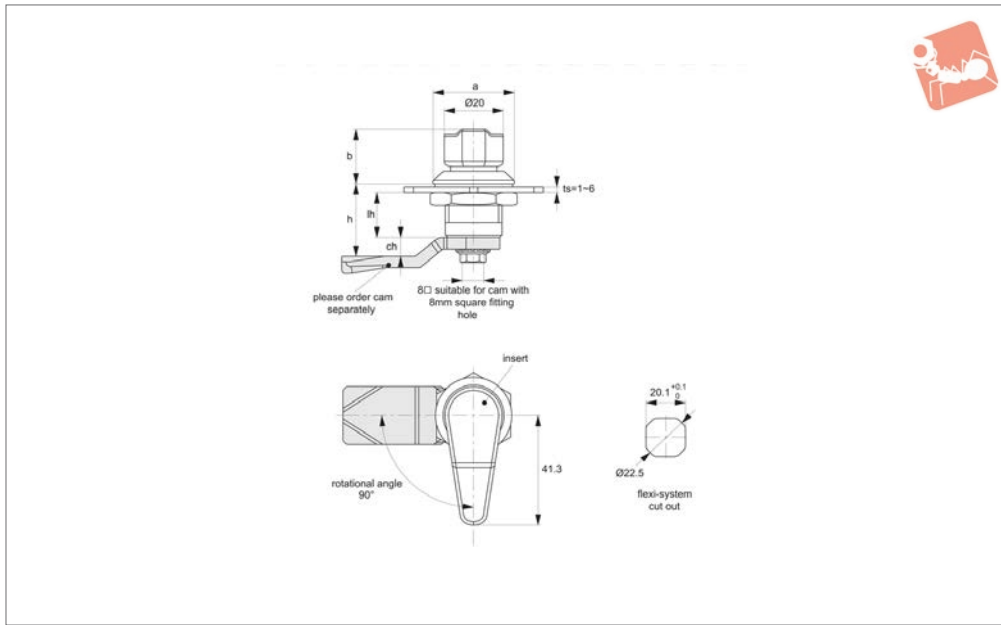


Cam Latches - Flexi-System

fixed grip - finger handle



Cam Latches



A1203

CAM LATCHES

Material

Type one: Body: die cast zinc, black powder coated.

Handle: polyamide, black.

Type two: Body & handle: polyamide, black.

Technical Notes

Order cam separately.

Cams: see suitable cam A0203, A0224 and A0240. Select „without projection“ cam

type.

Dimensions ch and cl relate to cam. Use formula to calculate ch (required cam off-set), and refer to cam selection chart;

ch = h - lh where;

ch = required cam off-set/height.

h = grip length (distance between inside of latch face and front of cam).

lh = body length of cam latch/lock to be used (see product table below).

Rods & Guides: to achieve 3-point latching - A0303, A0321, A0325.

Tips

Finger knob actuates lock, and also acts as a handle.

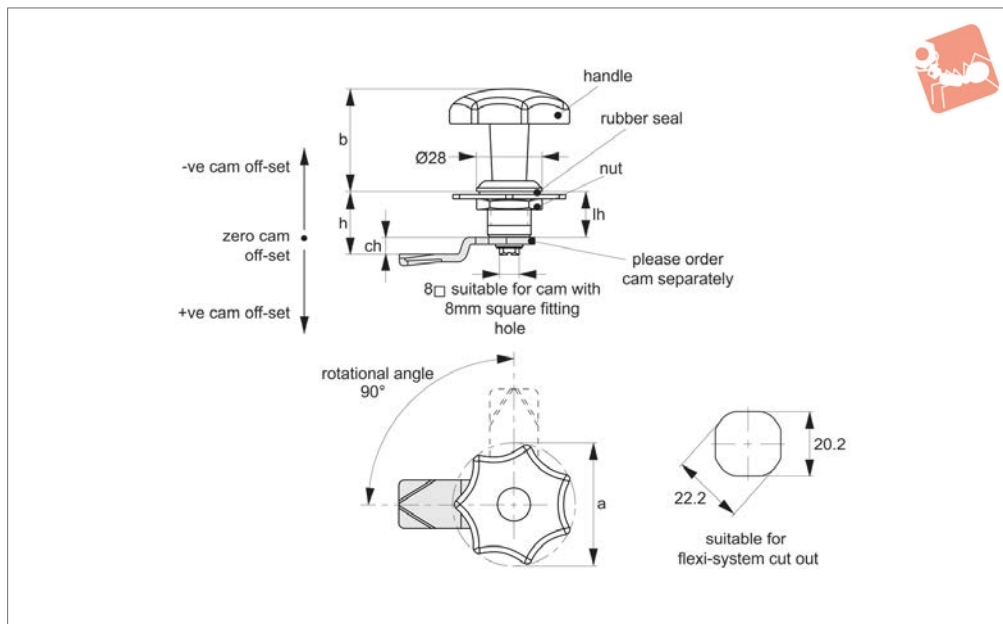
Important Notes

Sold subject to pack quantity.

Order No.	Type	a	b	lh
A1203.AW0318	One Zinc	28	18	18
A1203.AW0328	One Zinc	28	18	28
A1203.AW0362	One Zinc	28	18	62
A1203.AW0518	Two Polyamide	28	18	18
A1203.AW0536	Two Polyamide	28	18	36



A1205



Material

Body: black powder coated zinc or polyamide.

Handle: polyamide, black.

Fitted with sealing gasket to achieve IP54 rating.

Sealing washer: rubber.

Not supplied: CAM nor KEY - order separately.

Technical Notes

Order cam and key separately.

Cams: see suitable cam A0203 (steel), A0210 (stainless). Select „without projection“ cam type.

Dimensions ch and cl relate to cam. Use formula to calculate ch (required cam off-

set), and refer to cam selection chart;

ch = h - lh where;

ch = required cam off-set/height.

h = grip length (distance between inside of latch face and front of cam).

lh = body length of cam latch/lock to be used (see product table below).

Suitable for panel thickness 1-6mm.

Order No.	Material	a	b	lh
A1205.AW0018	Zinc Body, PA Handle	27	18	18
A1205.AW0028	Zinc Body, PA Handle	27	28	18
A1205.AW0036	Zinc Body, PA Handle	27	36	18
A1205.AW0062	Zinc Body, PA Handle	27	62	18
A1205.AW1018	PA Body & Handle	27	18	18
A1205.AW1028	PA Body & Handle	27	28	18

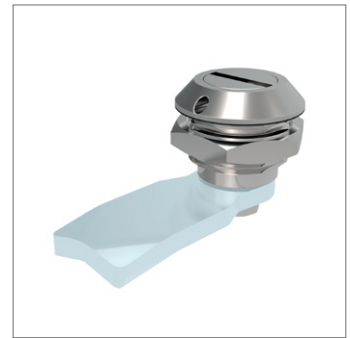
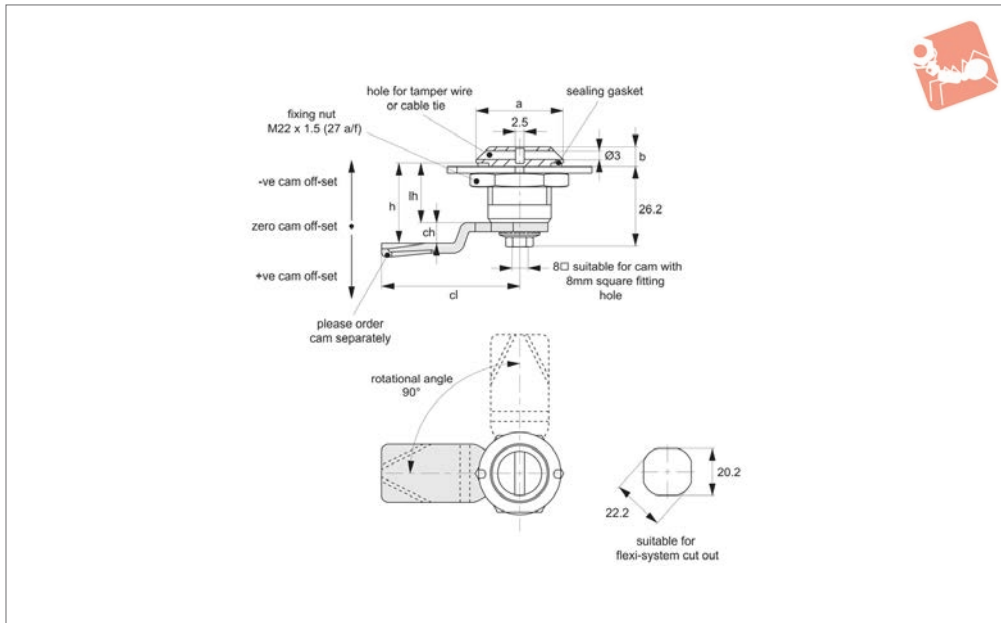


Cam Latches - Flexi-System

tamper evident - for wire or cable tie - zinc



Cam Latches



A1210

CAM LATCHES

Material

Body & Insert: die cast zinc, bright chrome plated.

Supplied With: Nut: steel.

Not supplied: CAM - order separately.

Technical Notes

Order cam and key separately.

Cams: see suitable cam A0203, A0224 and

A0240. Select „without projection“ cam type.

Dimensions ch and cl relate to cam. Use formula to calculate ch (required cam off-set), and refer to cam selection chart;

ch = h - lh where;

ch = required cam off-set/height.

h = grip length (distance between inside of

latch face and front of cam).

lh = body length of cam latch/lock to be used (see product table below).

Keys: see A0102.

Rods & Guides: to achieve 3-point latching - A0303, A0321, A0325.

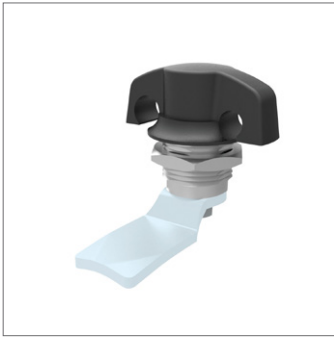
Tips

Quarter-turn opening or closing.

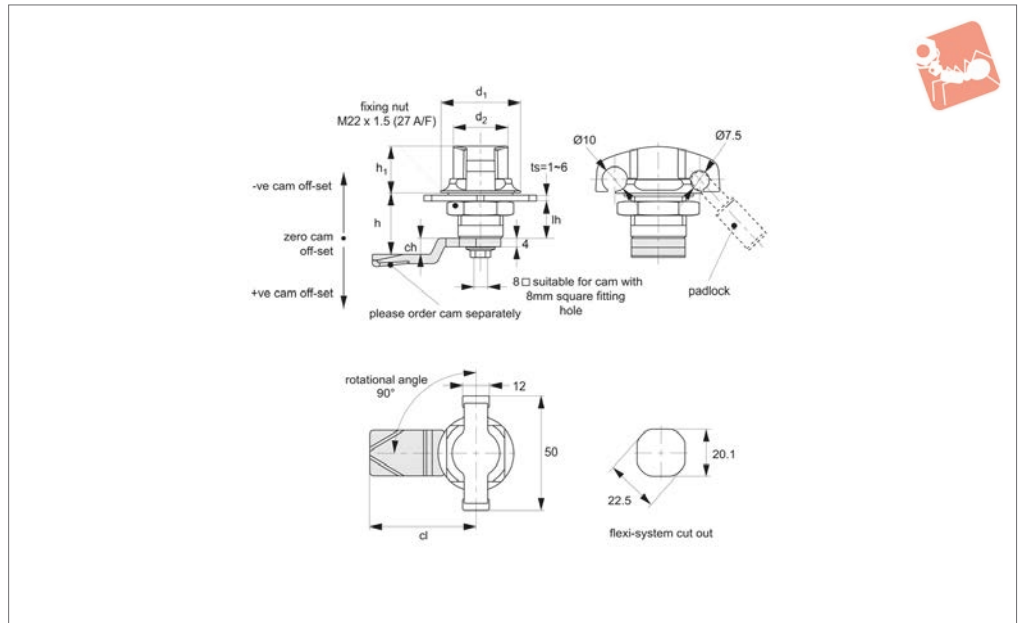
Order No.	a	b	lh
A1210.AW0028	28	6.5	20



CAM LATCHES



A1161



Material

Body & Handle: die cast zinc, pocked black powder or chrome plated.

Not supplied: CAM - order separately.

Technical Notes

Order cam separately.

Cams: see suitable cam A0203, A0224 and A0240. Select „without projection“ cam type.

Dimensions ch and cl relate to cam. Use

formula to calculate ch (required cam off-set), and refer to cam selection chart;

$ch = h - lh$ where;

ch = required cam off-set/height.

h = grip length (distance between inside of latch face and front of cam).

lh = body length of cam latch/lock to be used (see product table below).

Rods & Guides: to achieve 3-point latching - A0303, A0321, A0325.

Tips

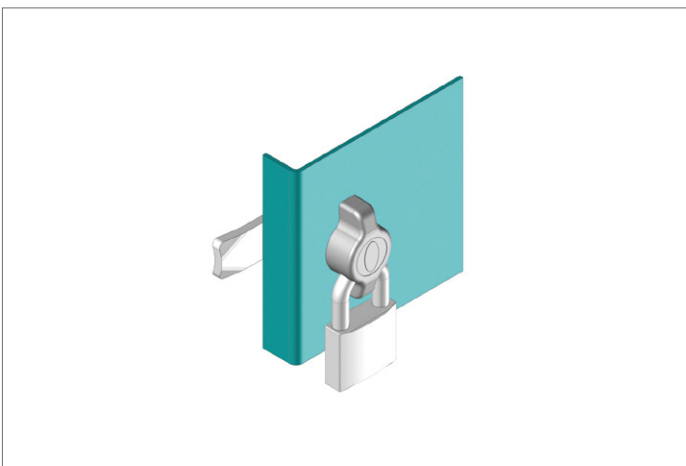
The wing knob can be locked by two sizes of padlock max. shackle dia. 7.5mm or 10mm. See technical diagram (padlock not supplied).

Panel thickness (ts) is 1 to 6mm max.

Important Notes

Sold subject to pack quantity.

Order No.	Type	d_1	h_1	d_2	lh	Finish
A1161.AW0310	Black Coated	33	19	21	18	black coated



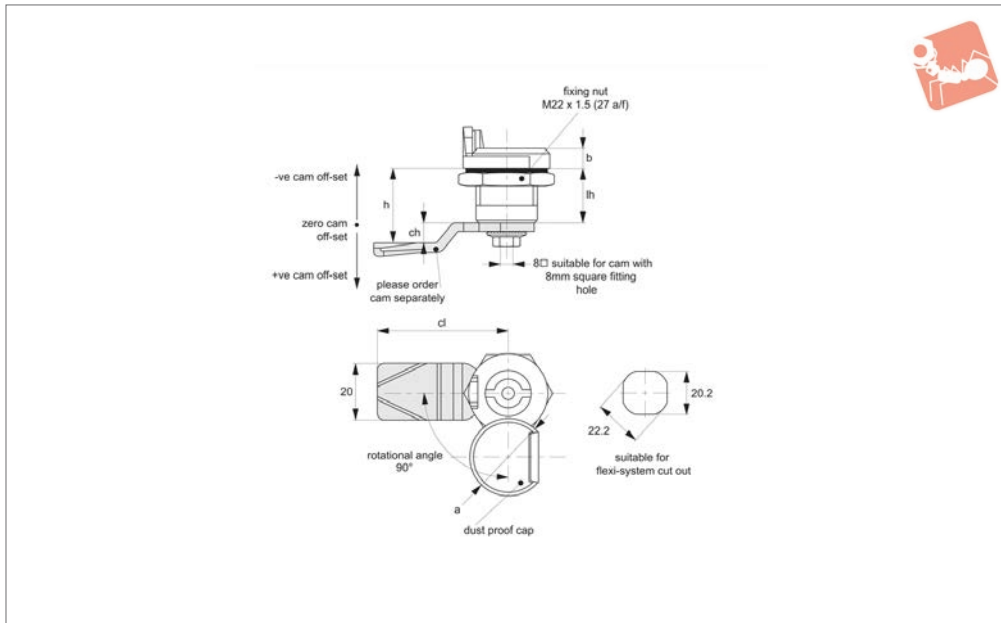


Cam Latches - Flexi-System

insert driver - fixed grip - zinc



Cam Latches



A1168

CAM LATCHES

Material

Body & Insert: die cast zinc, bright chrome plated. Insert fitted with O'ring to achieve IP54 rating.

Supplied with:

Cap: dust-proof.

Not supplied: CAM nor KEY - order separately.

Technical Notes

Order cam and key separately.

Cams: see suitable cam A0203, A0224 and A0240. Select „without projection“ cam type.

Dimensions ch and cl relate to cam. Use formula to calculate ch (required cam off-set), and refer to cam selection chart;

$ch = h - lh$ where;

ch = required cam off-set/height.

h = grip length (distance between inside of latch face and front of cam).

lh = body length of cam latch/lock to be used (see product table below).

Keys: see A0102.

Rods & Guides: to achieve 3-point latching - A0303, A0321, A0325.

Tips

Quarter turn opening or closing.

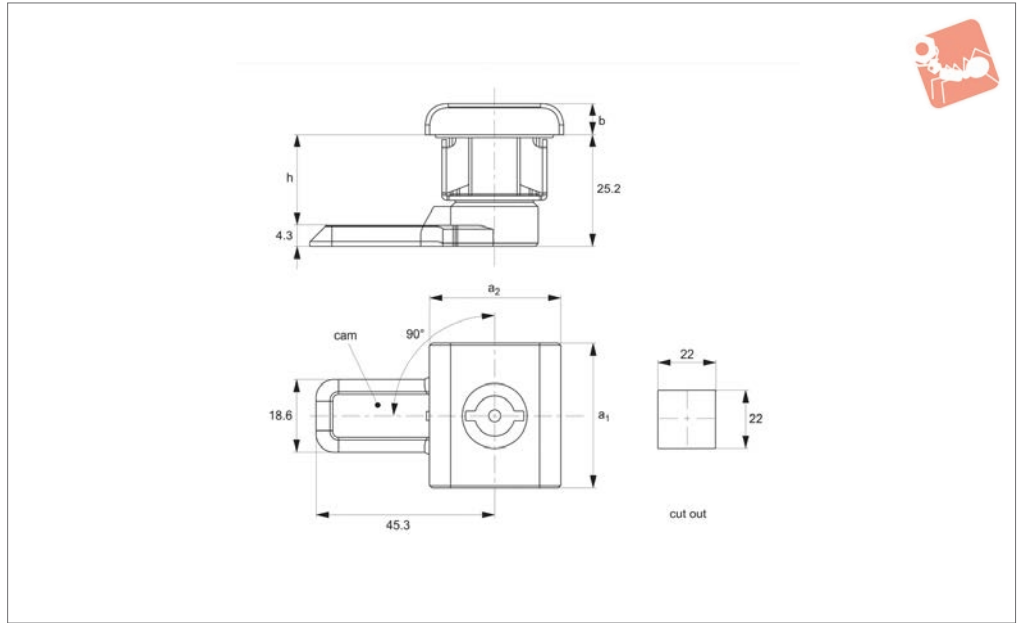
Order No.	Insert driver	a	b	lh
A1168.AW0007	Square 7	29	6.5	18
A1168.AW0008	Square 8	29	6.5	18
A1168.AW0017	Triangle 7	29	6.5	18
A1168.AW0018	Triangle 8	29	6.5	18
A1168.AW0103	3mm Double Bit	29	6.5	18
A1168.AW0104	4mm Double Bit	29	6.5	18
A1168.AW0124	Slotted (2x4)	29	6.5	18



CAM LATCHES



A1506



Material

Housing & insert: stainless steel, 304 mirror polished. Sealed to achieve IP54 rating.

Supplied with: Cam: die cast zinc. **Not supplied:** KEY - order separately.

Technical Notes

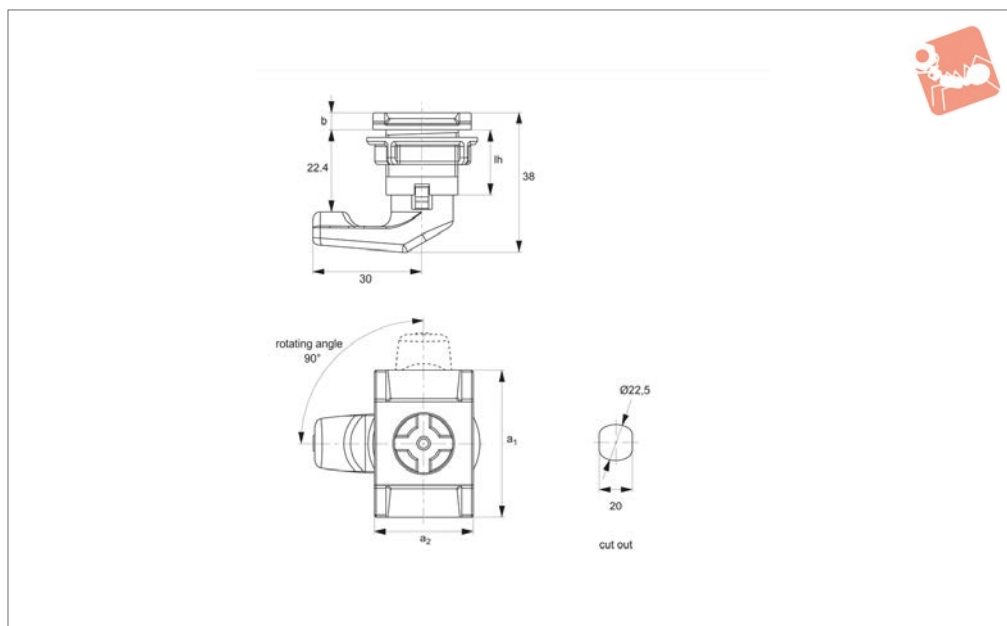
Order key separately. Suitable keys - A0102.
Fixed grip length (h)=20,9.

Order No.	Insert	a_1	a_2	b	h
A1506.AW0036	3mm Double Bit	36	32	7	20.9



Panel Latches - Plastic insert driver - low profile

Cam Latches



A1520

CAM LATCHES

Material

Housing, insert and nut: plastic.

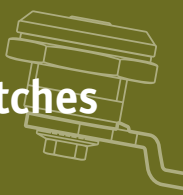
Supplied with: CAM

Not supplied: KEY - order separately.

Technical Notes

Order key separately. Suitable key - A0102.

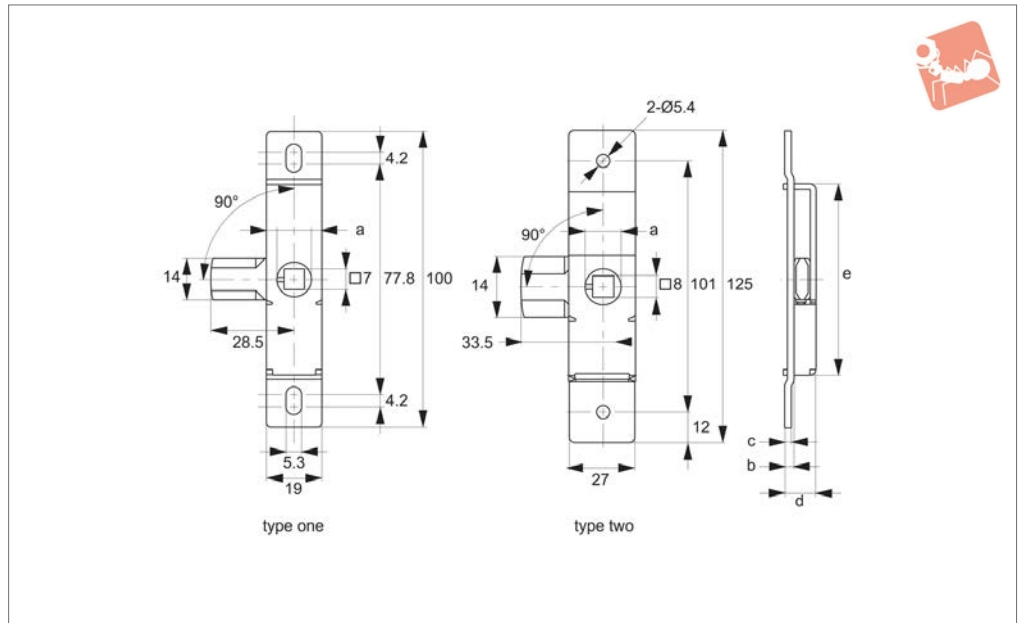
Order No.	Insert type	a ₁	a ₂	b	lh
A1520.AW0010	3mm Double Bit	39.5	26.5	4.6	18



CAM LATCHES



A1546



Material

Body & insert: Q235 steel, zinc plated.

Supplied with: Cam: stainless steel.

Technical Notes

Can be used with a square 7 or 8 square bar for handle/key opening.

Fix internally to panels or enclosures via rivets, or M 5 screws (not supplied).

Order No.	Insert type	Type	a	b	c	d	e
A1546.AW0012	Square 7	Type One	12	3.0	2.0	10.4	65.0
A1546.AW0015	Square 8	Type Two	15	3.5	2.5	15.1	76.2

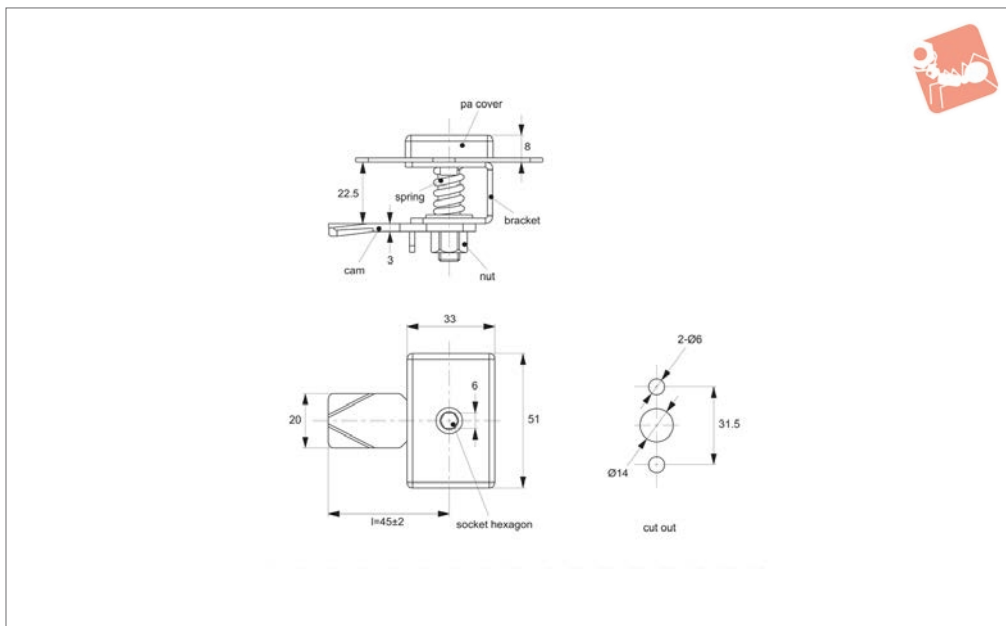


Panel Latches

plastic cover - hexagon driver



Cam Latches



A1561

CAM LATCHES

Material

Body & cam: steel, white zinc plated.
Cover: plastic, PA.

Supplied with: CAM: steel, white zinc plated.

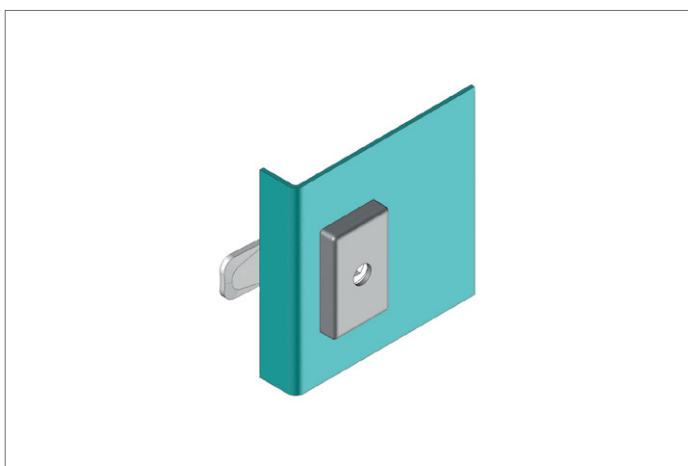
Not supplied: KEY. Use standard 6mm allen/hex key to actuate latch.

Technical Notes

For use on electrical panels and machinery

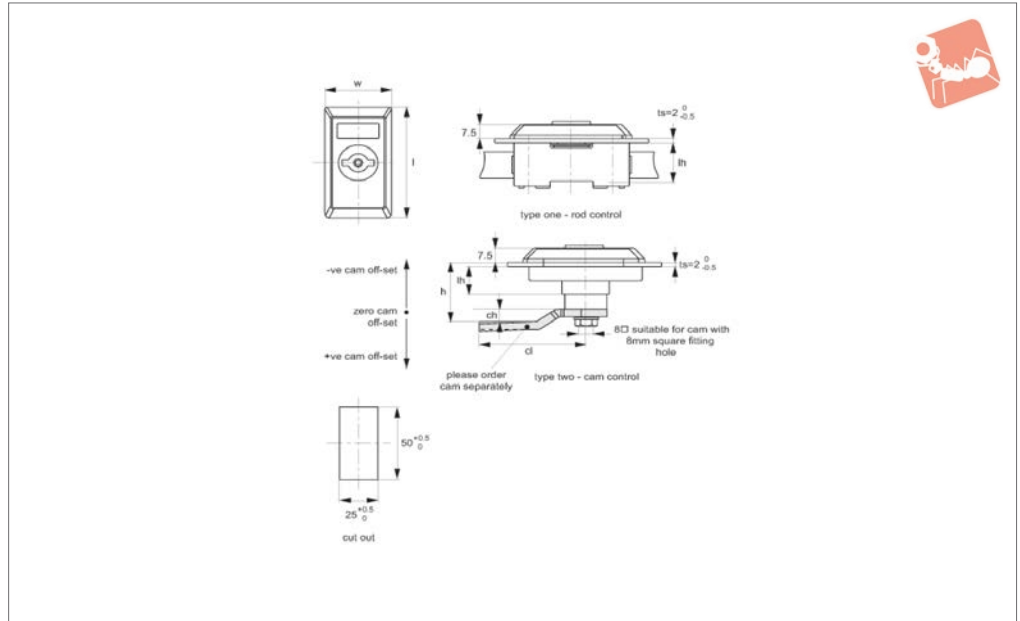
covers. Lock for use inside of panel gasket. Standard cam supplied achieves grip length of 22,5mm.

Order No.	Type	Grip length
A1561.AW0024	Right Hand Lock	22,5mm
A1561.AW0224	Left Hand Lock	22,5mm





A4221



CAM LATCHES

Material

Panel: black PA.

Insert: die cast zinc, bright chrome-plated
Cam and rod: white zinc plated steel. **Type one:** rod control system.

Type two: cam control.

Not Supplied: CAM nor Key: order separately.

Technical Notes

Order cam and key separately.

Cams: see suitable cam A0203, A0224 and A0240. Select „without projection“ cam type.

Dimensions ch and cl relate to cam. Use formula to calculate ch (required cam off-set), and refer to cam selection chart;

ch = h - lh where;

ch = required cam off-set/height.

h = grip length (distance between inside of latch face and front of cam).

lh = body length of cam latch/lock to be used (see product table below).

Keys: see A0102.

Rods & Guides: to achieve 3-point latching - A0303, A0321, A0325.

Tips

Ideal for electrical cabinets & enclosures with max. panel thickness of 2mm.

Order No.	Insert driver	Type	l	w	lh	ts max.
A4221.AW0010	4mm Double Bit	Rod Control	57.5	30	23	2
A4221.AW0020	Triangle 8	Rod Control	57.5	30	23	2
A4221.AW0030	Square 7	Rod Control	57.5	30	23	2
A4221.AW0310	4mm Double Bit	Cam Control	57.5	30	16	2
A4221.AW0320	Triangle 8	Cam Control	57.5	30	16	2
A4221.AW0330	Square 7	Cam Control	57.5	30	16	2
A4221.AW0340	Square 8	Cam Control	57.5	30	16	2

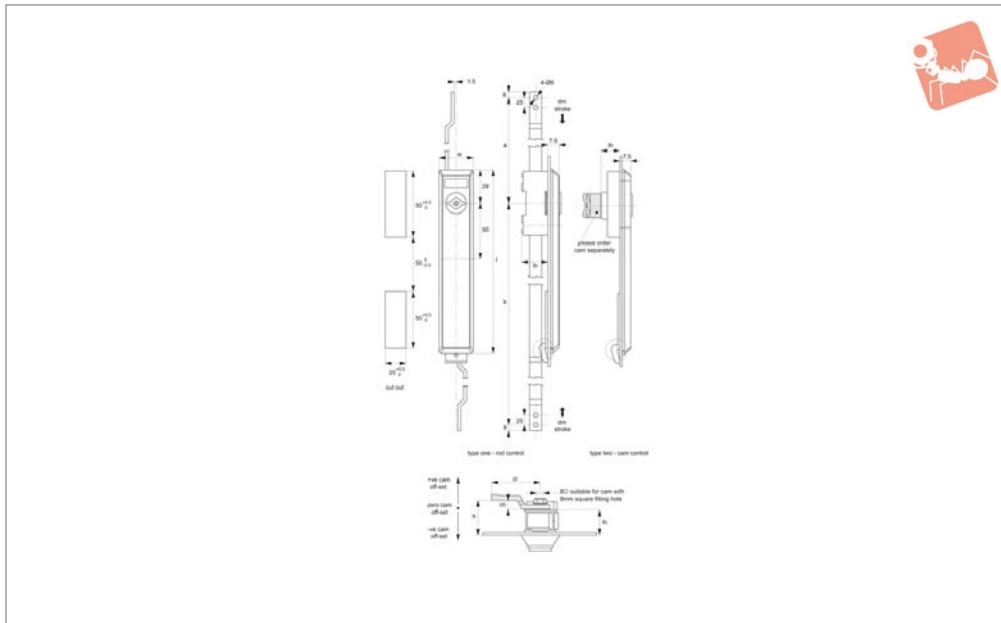


Cam Latches - with Rod Control

extended cover - fixed grip - 2 off 25 x 50 cut out



Cam Latches



A4241

CAM LATCHES

Material

Panel: black PA.
 Cam and Rod: steel.
 Insert: die cast zinc, chrome-plated
Type one: rod control system.
Type two: cam control.
Not Supplied: Cam nor Key: order separately.

Technical Notes

Order cam and key separately.

Cams: see suitable cam A0203, A0224 and A0240. Select „without projection“ cam type.

Dimensions ch and cl relate to cam. Use formula to calculate ch (required cam off-set), and refer to cam selection chart;

ch = h - lh where;
ch = required cam off-set/height.
h = grip length (distance between inside of latch face and front of cam).

lh = body length of cam latch/lock to be used (see product table below).

Keys: see A0102.

Rods & Guides: to achieve 3-point latching - A0303, A0321, A0325.

Tips

Insert quarter turn combines with rod latch system to open or close. Suitable for panel thicknesses of 2mm.

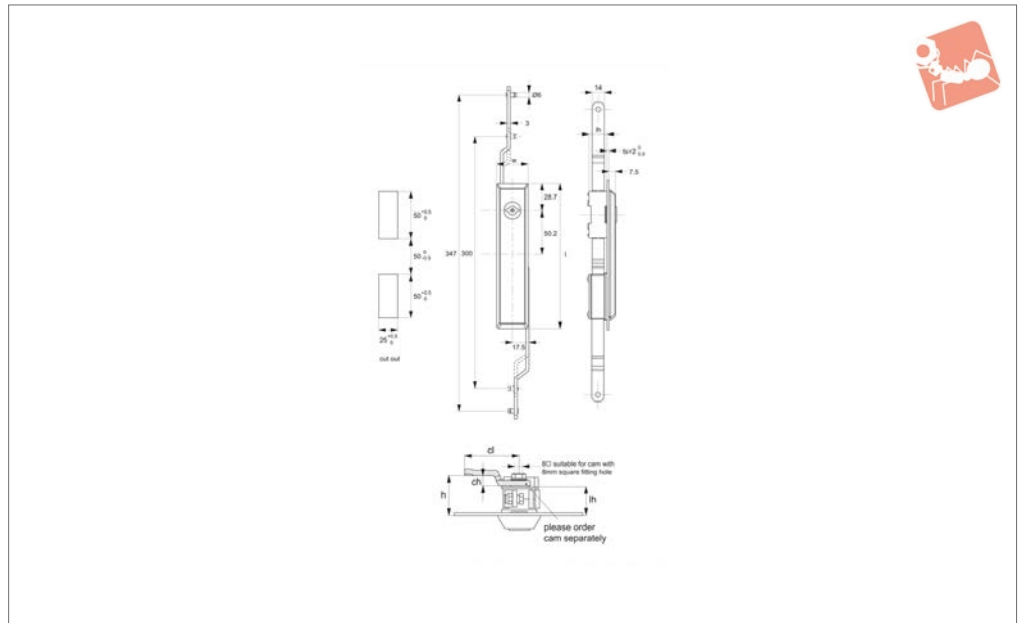
Order No.	Insert driver	Type	l	w	lh
A4241.AW0010	3mm Double Bit	Rod Control	157.5	30	23
A4241.AW0020	Triangle 8	Rod Control	157.5	30	23
A4241.AW0030	Square 7	Rod Control	157.5	30	23
A4241.AW0040	Square 8	Rod Control	157.5	30	23
A4241.AW0310	3mm Double Bit	Cam Control	157.5	30	16
A4241.AW0320	Triangle 8	Cam Control	157.5	30	16
A4241.AW0330	Square 7	Cam Control	157.5	30	16
A4241.AW0340	Square 8	Cam Control	157.5	30	16



CAM LATCHES



A4260



Material

Body: polyamide. Unique integral polyurethane gasket, to achieve IP54 rating.
 Rod control mechanism: die cast zinc.
 Driver Insert: die cast zinc, chrome plated.
Not supplied: Key: order separately.

Technical Notes

Order cam and key separately.

Cams: see suitable cam A0203, A0224 and A0240. Select „without projection“ cam type.

Dimensions ch and cl relate to cam. Use formula to calculate ch (required cam off-set), and refer to cam selection chart;
 $ch = h - lh$ where;
 ch = required cam off-set/height.

h = grip length (distance between inside of latch face and front of cam).

lh = body length of cam latch/lock to be used (see product table below).

Keys: see A0102.

Rods & Guides: to achieve 3-point latching - A0303, A0321, A0325.

Order No.	Insert driver	l	w	lh
A4260.AW0010	3mm Double Bit	157.4	32.4	22

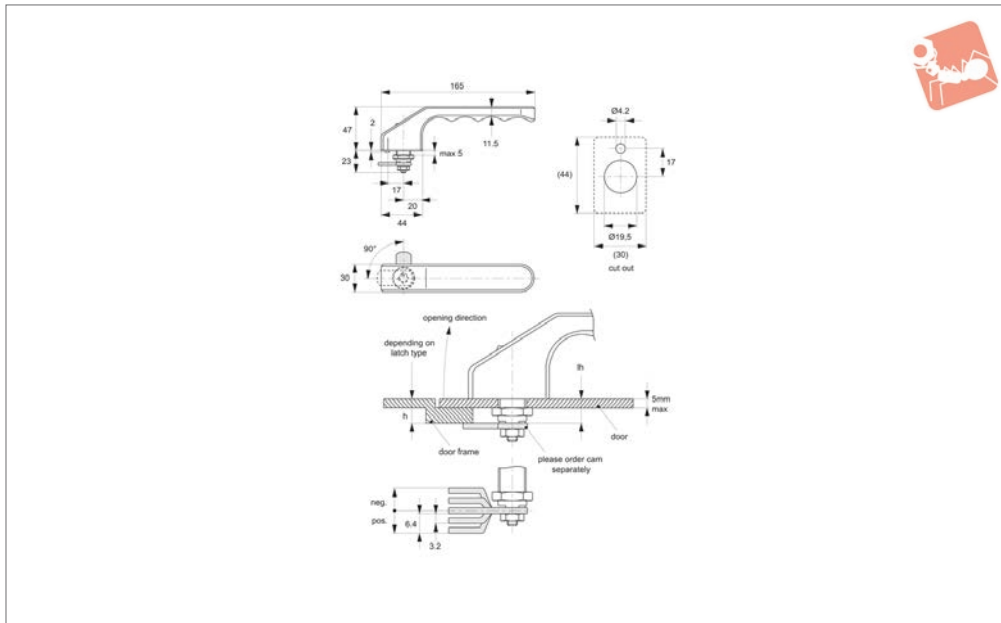


Cam Locks - Heavy Duty Handle

L-handle - fixed grip



Cam Latches



A4600

CAM LATCHES

Material

Body: aluminium, AIMgSi 0,5 vibration ground. Natural or black anodized.

Supplied with: Key.

Not supplied: CAM - order separately.

Technical Notes

Order cam separately.

Cams: see A0250. Dimensions ch & cl relate to cam. Use formula to calculate ch (required cam off-set), and refer to cam selection chart;

ch = h - lh where;

ch = required cam off-set/height.

h = grip length (distance between inside of

lock face and front of cam).

lh = body length of cam latch/lock to be used (see product table below).

Tips

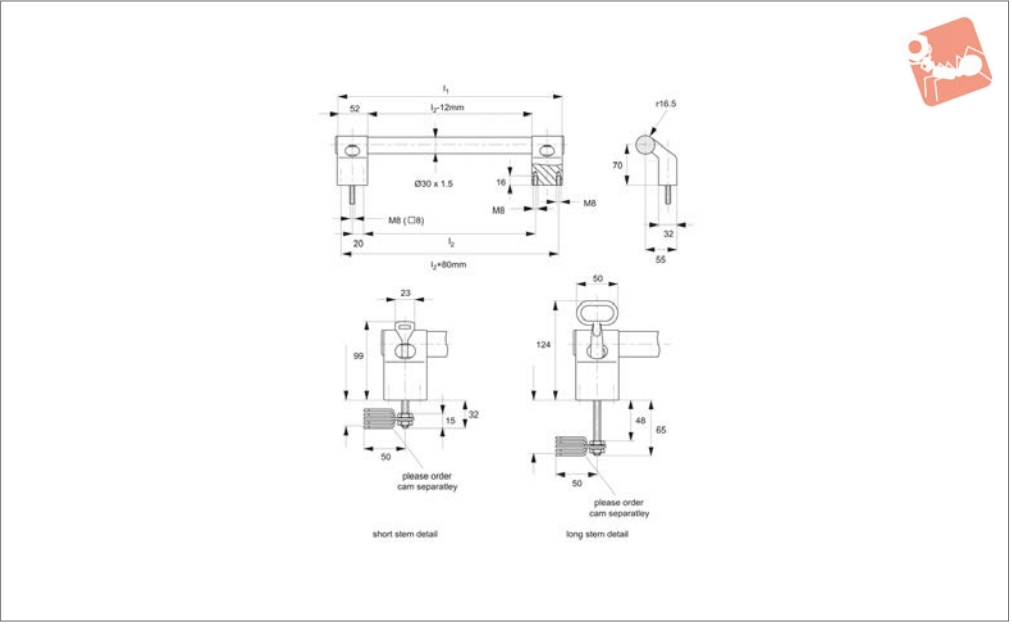
Heavy duty quarter turn handle for machinery covers, panels etc.

Maximum panel thickness of 5mm.

Order No.	Finish	Lock type	Key type	lh
A4600.AC0165	Natural	Cylindrical Pin	Keyed Alike	13.5
A4600.AC0665	Black Anodized	Cylindrical Pin	Keyed Alike	13.5



A4620



CAM LATCHES

Material

Handle shank: extruded aluminium, AIMgSi 0,5, black anodized.
 Handle tube: stainless steel 1.4301, tube Ø30x1,5mm. Precision ground.

Supplied with: Key.

Not supplied: CAM - order separately.

Technical Notes

Order cam separately.

Cams: see A0250. Dimensions ch & cl

relate to cam. Use formula to calculate ch (required cam off-set), and refer to cam selection chart;

ch = h - lh where;

ch = required cam off-set/height.

h = grip length (distance between inside of lock face and front of cam).

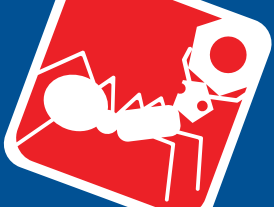
lh = body length of cam latch/lock to be used (see product table below).

Tips

Heavy duty pull handle with quarter turn fastener for machine guards, covers, panels etc.

A4620 has threaded stem of either 32mm (short stem) or 65mm (long stem) which can be cut to length to achieve h dimension (grip length) of your choice, to best suit your application.

Order No.	Lock type	Stem	l ₁	l ₂
A4620.AC0137	Square Insert	Short	392	300
A4620.AC0138	Safety Lock	Short	392	300
A4620.AC0147	Square Insert	Short	492	400
A4620.AC0148	Safety Lock	Short	492	400
A4620.AC0167	Square Insert	Short	692	600
A4620.AC0168	Safety Lock	Short	692	600
A4620.AC0237	Square Insert	Long	392	300
A4620.AC0238	Safety Lock	Long	392	300
A4620.AC0247	Square Insert	Long	492	400
A4620.AC0248	Safety Lock	Long	492	400
A4620.AC0267	Square Insert	Long	692	600
A4620.AC0268	Safety Lock	Long	692	600



Cam Locks - Heavy Duty Pull Handle

adjustable grip



Cam Latches



CAM LATCHES