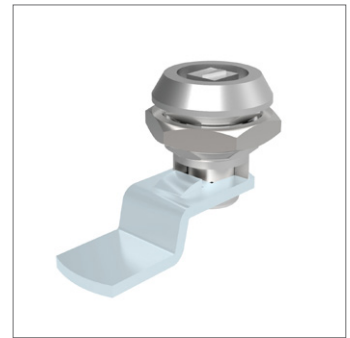
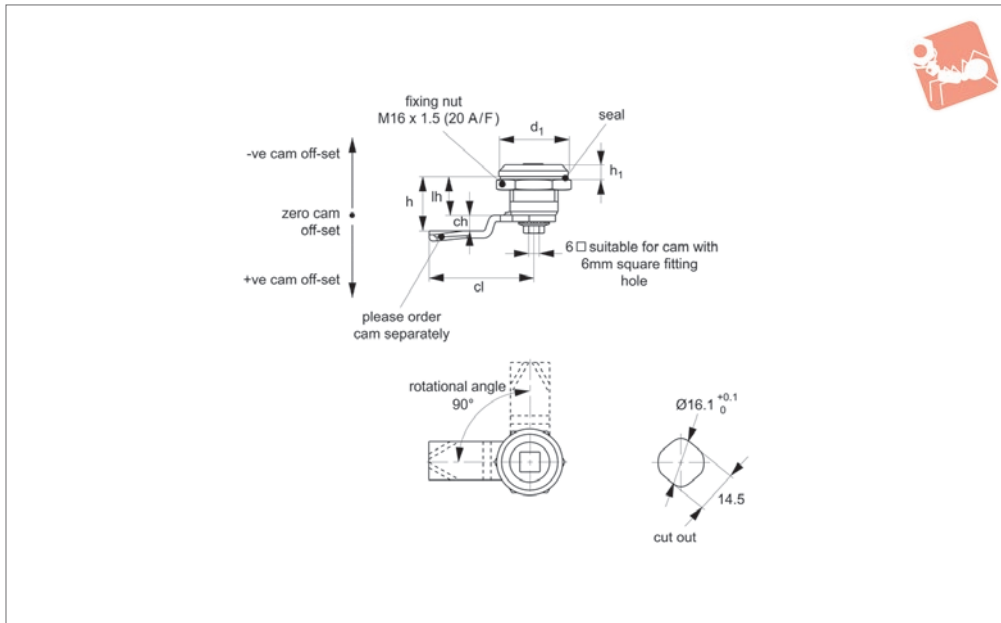


Mini Cam Latches

insert driver - fixed grip



Cam Latches



A1261

CAM LATCHES

Material

Type one: Body & insert: die cast zinc, chrome plated or black powder coated.

Supplied with: Keys: two per lock.

Not supplied: CAM - order separately.

Technical Notes

Order cam and key separately.

Cams: see suitable cam A0261. Select „with projection“ cam type to prevent cam

rotating over 45°.

Dimensions ch and cl relate to cam. Use formula to calculate ch (required cam off-set), and refer to cam selection chart;

ch = h - lh where;

ch = required cam off-set/height.

h = grip length (distance between inside of latch face and front of cam).

lh = body length of cam latch/lock to be

used (see product table below).

Keys: see A0102.

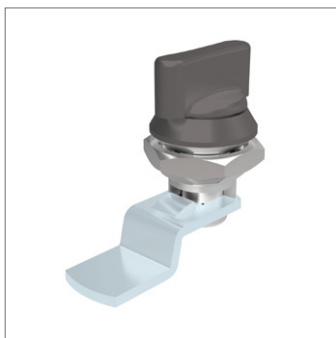
Tips

Mini cam latches for any application; securing doors, cabinets etc. Quarter-turn opening or closing.

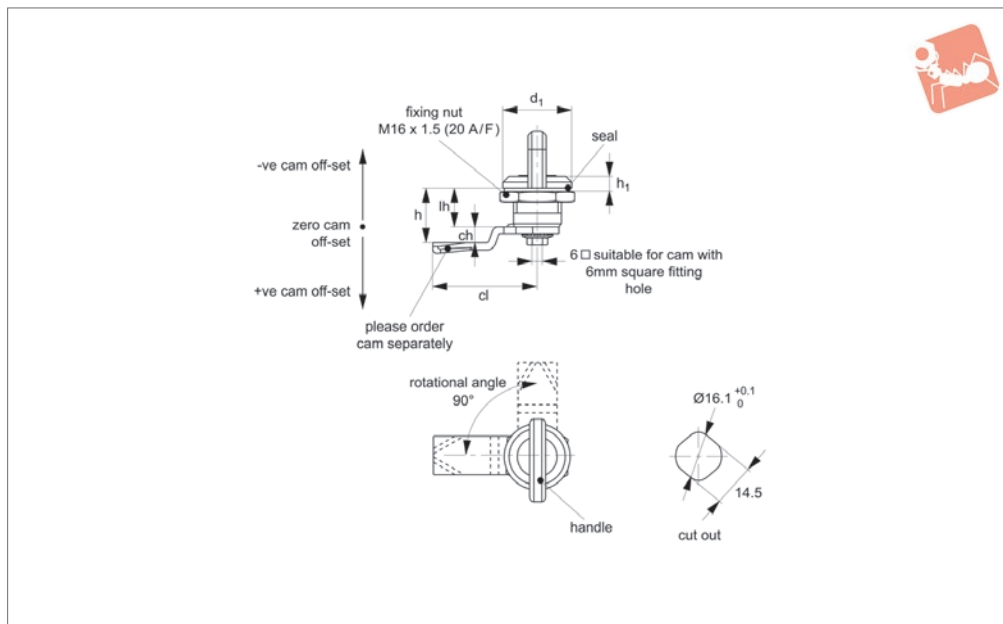
Important Notes

Sold subject to pack quantity.

Order No.	Insert driver	Finish	d ₁	h ₁	lh
A1261.AW0006	Square 6	Chrome	20	4	12.5
A1261.AW0078	Slot (2x4)	Chrome	20	4	12.5
A1261.AW0306	Square 6	Black Coated	20	4	12.5
A1261.AW0378	Slot (2x4)	Black Coated	20	4	12.5



A1281



Material

Body & insert: die cast zinc, chrome plated or black powder coated.

Handle: black plastic, PA6.

Not supplied: CAM - order separately.

Technical Notes

Order cam separately.

Cams: see suitable cam A0261. Select „with projection“ cam type to prevent cam

rotating over 45°.

Dimensions ch and cl relate to cam. Use formula to calculate ch (required cam off-set), and refer to cam selection chart;

ch = h - lh where;

ch = required cam off-set/height.

h = grip length (distance between inside of latch face and front of cam).

lh = body length of cam latch/lock to be

used (see product table below).

Tips

Wing knob actuates lock, and also acts as knob/handle.

Important Notes

Sold subject to pack quantity.

Order No.	Handle	Body	d ₁	h ₁	lh
A1281.AW0110	Black Plastic	Chrome Plated	20	4	12.5
A1281.AW0120	Black Plastic	Black Powder	20	4	12.5



Selecting the Correct Cam Latch or Lock

A1004 - A4260

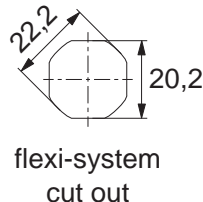
Cam Latches and Locks

When selecting a Wixroyd Cam Latch for your application, you need to answer these questions:

1. Which installation cut out?
2. Which body style?
3. Which locking key?
4. Which accessories?
5. Which cam type and size?

Cut out

All our Flexi-System cam latches use a standard installation cut out 22,2 dia, 20,2 square, for maximum flexibility. We also provide a number of alternative cut out dimensions for legacy/historical installations.



Step 1:
Which installation cut out?

Material and finish

Select from our variety of die cast zinc, polyamide plastic and stainless versions.



Die-cast zinc chrome plate **Die-cast zinc black coated** **Polyamide black** **Stainless steel**

Actuation and locking method

Standard insert driver type, cylinder lock or wing handle type.



Insert driver **Cylinder lock** **Wing handle**

Number of latching points in application

Typically single point latching is required, but the Wixroyd Flexi-System also provides multi-point latching (typically 3 point - at lock point, top and bottom of cabinet).



Single point **Two point** **Multi-point**

Step 2:
Which body style?

Standard insert driver keys

Our range of insert driver cam latches require a simple key to actuate. Refer to part A0102 and A0103 for correct keys.



Cylinder locking

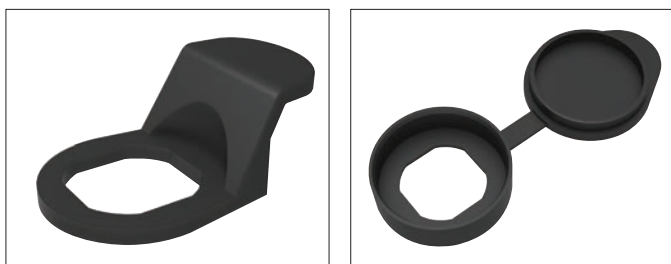
Our cam locks with cylinder locks are supplied with two keys per lock. Available as keyed alike or keyed to differ locks.



Step 3:
Which locking key?

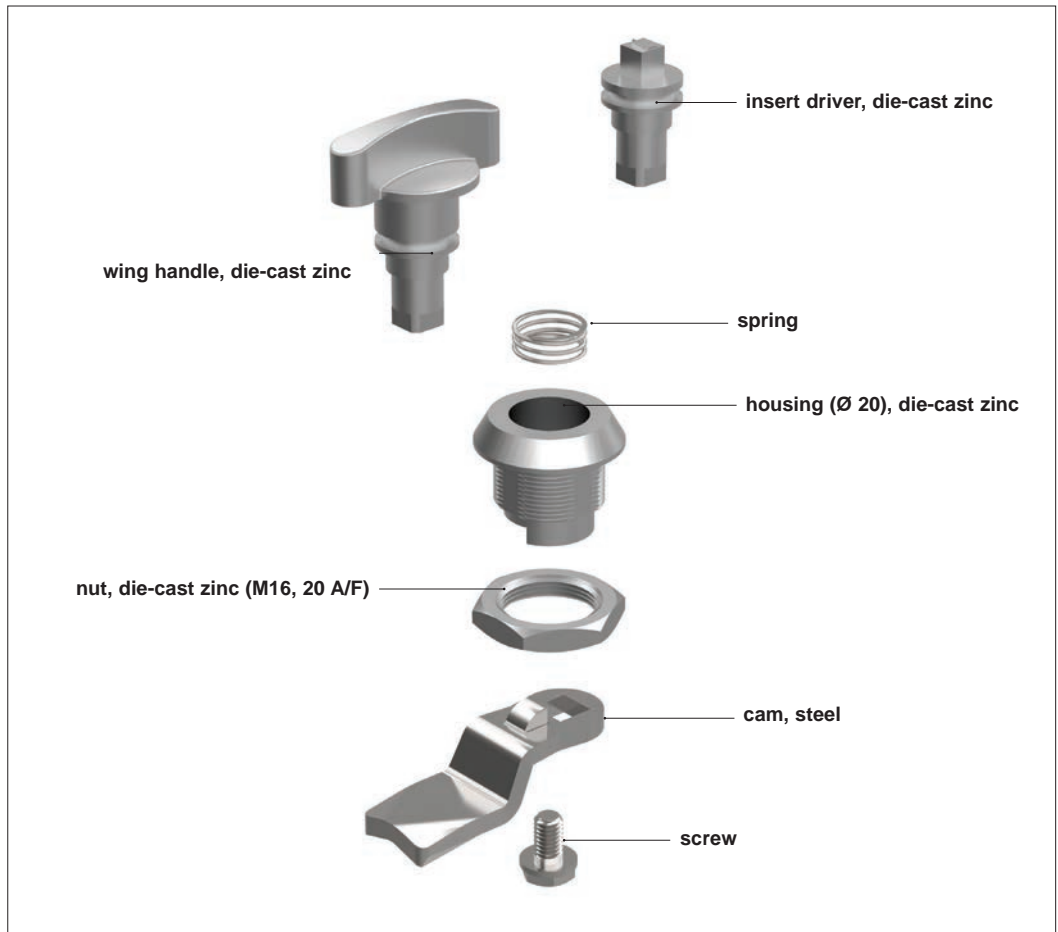
- Multi-point latching: use our rod set A0303 to A0325 for suitable rods and rod guides.
- Finger pulls: easily installed with any of our flexi-system cam bodies, finger pull no. A0352 is a simple, cost effective handle for your cabinets.
- Dust Cap: to reduce material ingress.

Step 4:
Which accessories?





Die-cast zinc:
A1261, A1281

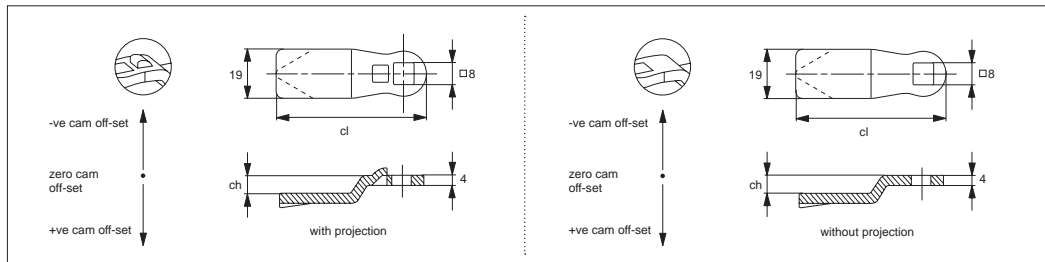


Selecting the Correct Cam Latch or Lock

Cam Latches and Locks

With or without "Projection"

Different cam bodies require cams either with or without projection.



With projection cams prevent turning of the cam over 45°, but is not suited to all cam bodies. For correct projection type please see individual cam body technical pages.

Number of Latching Points

Single point cams are suitable where just single point latching is required. Multi-point cams are for applications requiring 2 or 3 latching points.

Step 5: Which cam type and size?

Wixroyd cams are available in a number of different materials; zinc plated steel, stainless steel (AISI 304) and black plastic.

Cam off-set (dimension ch)

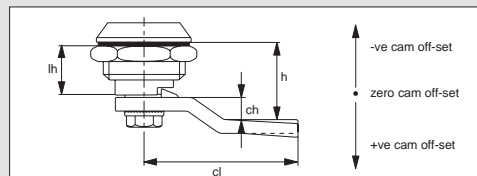
To ensure your cam fully and correctly engages with the frame of your door the correct cam off-set must be selected. A cam off-set can be either negative (-ve) or positive (+ve).

Cam length (dimension cl)

This impacts the reach of the cam to door frame and hence impacts positioning of cam body for installation. Cam length is measured from the centre of the cam fixing hole to the cam's leading edge. Most typically cams are 45 mm in length.

Use formula to calculate ch (required cam off-set), and refer to the cam selection chart.

- ch = h - lh where;
- ch = the required cam off-set/height
- h = grip length (distance between inside of latch face and front of cam).
- lh = body length of cam latch/lock to be used (see example below)



Calculation of correct cam off-set

This is the most important aspect of the selection process.

Example one

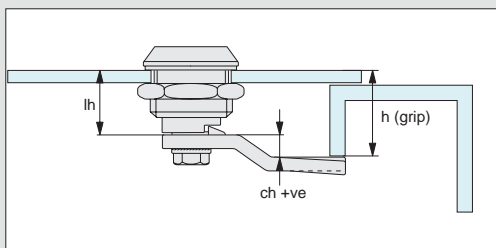
Cam body A1003.AW0010 has been selected for the application. If we refer to the data sheet for this part, suitable cams are parts A0203, A0210 or A0240 - "without projection".

Known application information: h = 26 lh = 18

Therefore; ch = 26 - 18 = +8

Cam off set of +8 is required

Using the data tables for cams A0203, A0210, and A0240 we can select the following cams without projection with an off set of +8; A0203.AW5408 (steel), A0210.AW0428 (stainless) or A0240.AW0108 (three point cam).



Example two

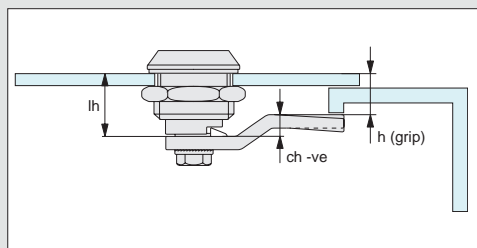
Cam body A1003.AW0010 has been selected for the application. If we refer to the data sheet for this part, suitable cams are parts A0203, A0210 or A0240 - "without projection".

Known application information: h = 14 lh = 18

Therefore; ch = 14 - 18 = - 4

The required cam off set is negative, - 4 as the application's door frame is effectively shorter/lower than the length of the cam body

Using the data tables for cams A0203, A0210 and A0240 we can select the following cam without projection with an off set of - 4; A0203.AW6404 (steel).



Example of calculation of correct cam off-set



Suitable With Projection Cams				
Compatible cam no.	A0261	A0203	A0210	A0240
Cam fitting hole	6 x 6 square 	8 x 8 square 	8 x 8 square 	8 x 8 square
Cam latch / lock no.	A1261 / A1281 / A2390	A2503 / A2504 A2523 / A2528	A2503 / A2504 A2523 / A2528	A2503 / A2504 A2523 / A2528

Suitable Without Projection Cams Table 1				
Compatible cam no.	A0203	A0210	A0240	A0243
Cam fitting hole	8 x 8 square 	8 x 8 square 	8 x 8 square 	8 x 8 square
Cam latch / lock no.	A1003 / A1021 / A1103 A1161 / A1168 / A1181 A1203 / A1210 / A1251 A1601 / A1620 / A1801 A2001 / A2203 / A2326 A2333 / A2392 / A2526 A4221 / A4241 / A4260 B1082 / B1086 / B1088 B1091 / B1092 / B1180 B1281 / B1285 / B1380 B1450 / B2091 / B2181	A1003 / A1021 / A1103 A1161 / A1168 / A1181 A1203 / A1210 / A1251 A1601 / A1620 / A1801 A2001 / A2203 / A2326 A2333 / A2392 / A2526 A4221 / A4241 / A4260 B1082 / B1086 / B1088 B1091 / B1092 / B1180 B1281 / B1285 / B1380 B1450 / B2091 / B2181	A1003 / A1021 / A1103 A1161 / A1168 / A1181 A1203 / A1210 / A1251 A1601 / A1620 / A1801 A2001 / A2203 / A2326 A2333 / A2392 / A2526 A4221 / A4241 / A4260 B1082 / B1086 / B1088 B1091 / B1092 / B1180 B1281 / B1285 / B1380 B1450 / B2091 / B2181	A1003 / A1021 / A1103 A1161 / A1168 / A1181 A1203 / A1210 / A1251 A1601 / A1620 / A1801 A2001 / A2203 / A2326 A2333 / A2392 / A2526 A4221 / A4241 / A4260 B1082 / B1086 / B1088 B1091 / B1092 / B1180 B1281 / B1285 / B1380 B1450 / B2091 / B2181

Suitable Without Projection Cams Table 2					
Compatible cam no.	A0250	A0234	A0215	A0231	A0233
Cam fitting hole	5 x 5 square 	6,3 dia. x 4,9 	7 x 7 square 	8 x 10 dia. 	8 x 10 dia.
Cam latch / lock no.	A4600 / A4620	A1661 / A1667	B2082 / B2084 / B2086 B2088 / B2285 / B2380	A1603 / A1611 A1630 / A1810	A1603 / A1611 A1630 / A1810

Calculation of correct cam off-set

Cam off-set

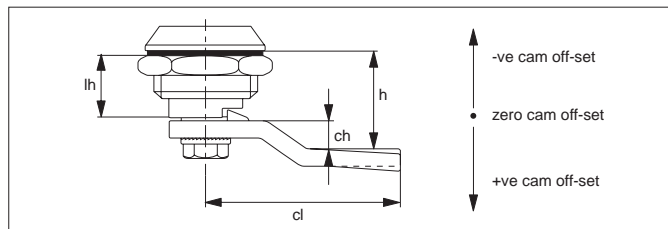
Use the formula to calculate your correct cam off-set:

$$ch = h - lh$$

ch = the required cam off-set.

h = distance between inside of lock face and front of cam (also referred to as "grip length").

lh = length of cam body to be used (refer to individual cam body data sheets).



Cam Off-Set (dimension ch)

To ensure your cam fully and correctly engages with the frame of your door the correct cam off-set must be selected. A cam off-set can be either negative (-ve) or positive (+ve).

Cam Length (dimension cl)

Impacts reach of the cam to door frame and hence impacts positioning of cam body for installation. Cam length or reach is measured from the centre of the cam fixing hole to the cam's leading edge. Refer to individual cam body datasheets.



Wixroyd Cam and Compression Latches

product selection charts

Cam Latches and Locks

 cut out	Actuation Method			Body	Finishes	Cam Type		IP Rating
	Insert Driver	Cylinder Lock	Manual/Grip			With Projection	W/O Projection	

A1661 - Mini Compression Latch - Fixed Grip



✓			22,5	✓		✓	✓	54
---	--	--	------	---	--	---	---	----

Cams: A0234 - Keys: A0102

A1667 - Mini Compression Latch - Wing Handle - Fixed Grip



	✓		22,5	✓		✓	✓	54
--	---	--	------	---	--	---	---	----

Cams: A0234 - Keys: N/A

 cut out	Actuation Method			Body	Finishes	Cam Type		IP Rating
	Insert Driver	Cylinder Lock	Manual/Grip			With Projection	W/O Projection	

A1261 - Mini Cam Latch - Fixed Grip



✓			12,5	✓	✓	✓	✓	✓
---	--	--	------	---	---	---	---	---

Cams: A0261 - Keys: A0102

A1281 - Mini Cam Latch - Wing Handle - Fixed Grip



	✓		12,5	✓		✓	✓	✓
--	---	--	------	---	--	---	---	---

Cams: A0261 - Keys: N/A

A2390 - Mini Cam Lock - Wing Handle - Fixed Grip



	✓		13	✓		✓	✓	✓
--	---	--	----	---	--	---	---	---

Cams: A0261 - Keys: Supplied

 cut out	Actuation Method			Body	Finishes	Cam Type		IP Rating
	Insert Driver	Cylinder Lock	Manual/Grip			With Projection	W/O Projection	

A2326 - Mini Cam Lock - Fixed Grip



✓			16,5	✓		✓	✓	✓
---	--	--	------	---	--	---	---	---

Cams: Supplied - Keys: Supplied

A2328 - Mini Cam Lock - Fixed Grip



✓			15	✓		✓	✓	✓
---	--	--	----	---	--	---	---	---

Cams: N/A - Keys: Supplied

A2330 - Mini Cam Lock - Fixed Grip



✓			11	✓		✓	✓	✓
---	--	--	----	---	--	---	---	---

Cams: Supplied - Keys: Supplied

A2331 - Mini Cam Lock - Fixed Grip



✓			16	✓		✓	✓	✓
---	--	--	----	---	--	---	---	---

Cams: Supplied - Keys: Supplied

A2342 - Mini Cam Lock - Fixed Grip - Radial Key



✓			13	✓		✓	✓	✓
---	--	--	----	---	--	---	---	---

Cams: Supplied - Keys: Supplied

A2393 - Mini Cam Lock - Wing Handle - Fixed Grip



✓			11	✓		✓	✓	✓
---	--	--	----	---	--	---	---	---

Cams: Supplied - Keys: Supplied

 cut out	Actuation Method			Body	Finishes	Cam Type		IP Rating
	Insert Driver	Cylinder Lock	Manual/Grip			With Projection	W/O Projection	

A2333 - Mini Cam Lock - Fixed Grip



✓			Various	✓		✓	✓	✓
---	--	--	---------	---	--	---	---	---

Cams: A0203, A0224, A0240 - Keys: Supplied

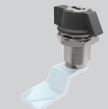
A2340 - Mini Cam Lock - Fixed Grip



✓			15	✓		✓	✓	✓
---	--	--	----	---	--	---	---	---

Cams: Supplied - Keys: Supplied

A2392 - Mini Cam Lock - Wing Handle - Fixed Grip



✓			24	✓		✓	✓	✓
---	--	--	----	---	--	---	---	---

Cams: A0203, A0224, A0240 - Keys: Supplied

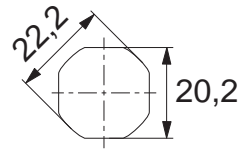
CAM LATCHES

ov-WA1261-A-TCC0500-WA2393-A-T-cam-compression-latches-product-selection-chart-c-rmh-Updated--27-10-2022



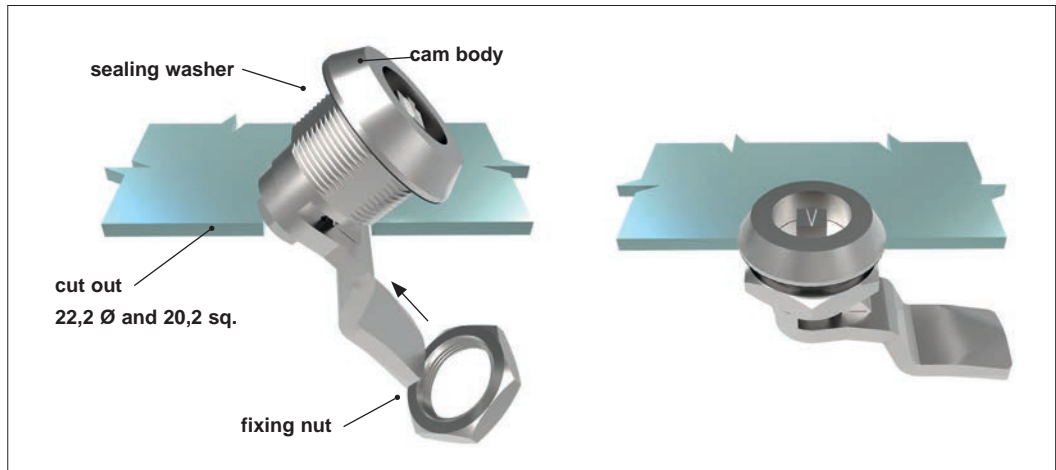
Flexi-system cut out

Our flexi-system is based on a standard installation cut out 22,2 Ø and 20,2 sq.



CAM LATCHES

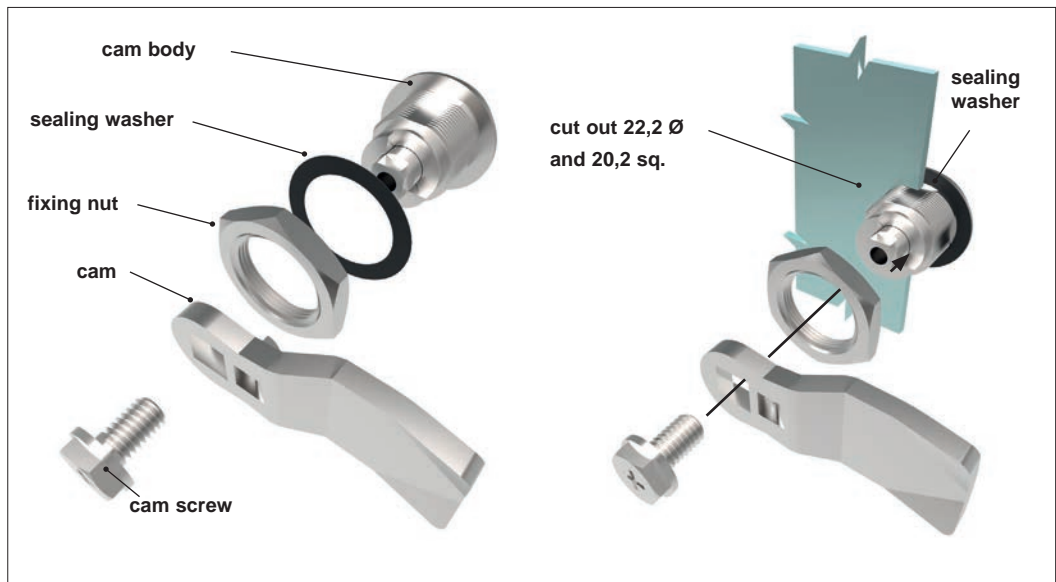
Option 1: Installation when fully assembled



When the cam latch grip (h) is 9mm or more this method is possible:-

1. With the cam body and cam fully assembled, attach the sealing washer to cam body.
2. Tilt the latch 45° and pass it, cam first, through the installation cut out in the panel.
3. When in place attach the fixing nut to the cam body to secure. Tighten to 10 Nm max.

Option 2: Installation unassembled



When the cam latch grip (h) is less than 9mm this method is suitable:-

1. Prior to commencing ensure that the cam body, cam, cam screw, fixing nut and sealing washer are completely unassembled.
2. Attach the sealing washer to the cam body and pass through installation cut out in panel.
3. Attach the fixing nut to the cam body to secure. Tighten to 10 Nm max.
4. Attach the cam to the cam body. Once you have ensured that the cam has the correct orientation toward the panel frame, secure the cam screw and tighten to 4 Nm.