

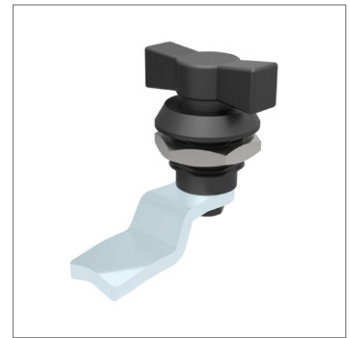
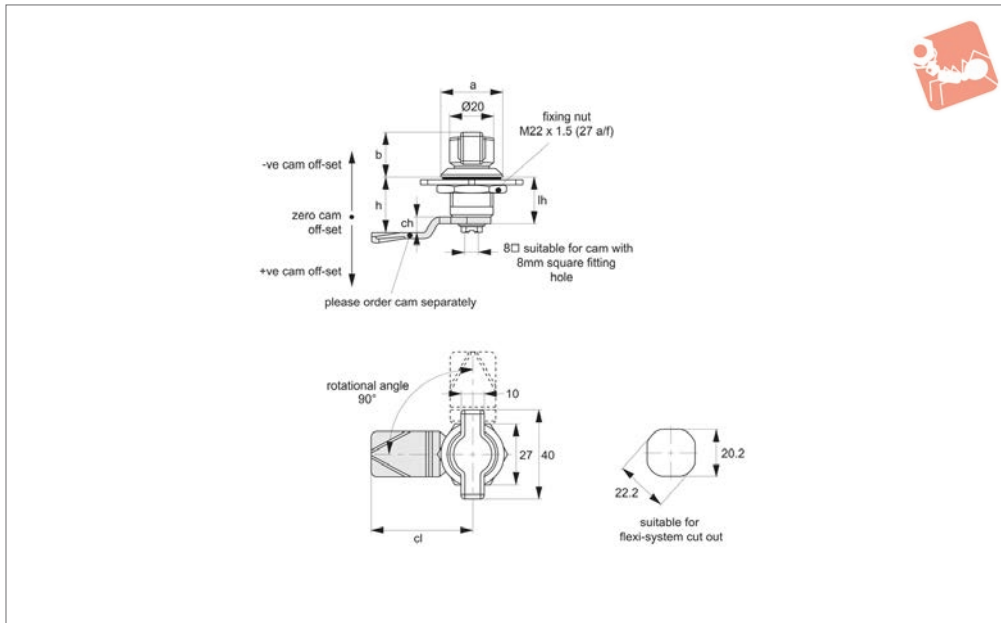


Cam Latches - Flexi-System

fixed grip - wing handle - ergonomic



Cam Latches



A1181

CAM LATCHES

Material

Body: die cast zinc.
 Handle: black plastic (PA6).
Not supplied: CAM - order separately.

Technical Notes

Order cam separately.
Cams: see suitable cam A0203, A0224 and A0240. Select „without projection“ cam type.

Dimensions ch and cl relate to cam. Use formula to calculate ch (required cam off-set), and refer to cam selection chart;
 $ch = h - lh$ where;
 ch = required cam off-set/height.
 h = grip length (distance between inside of latch face and front of cam).
 lh = body length of cam latch/lock to be used (see product table below).

Rods & Guides: to achieve 3-point latching - A0303, A0321, A0325.

Tips

Wing actuates lock, and also acts as a knob/handle. Quarter-turn opening or closing.

Important Notes

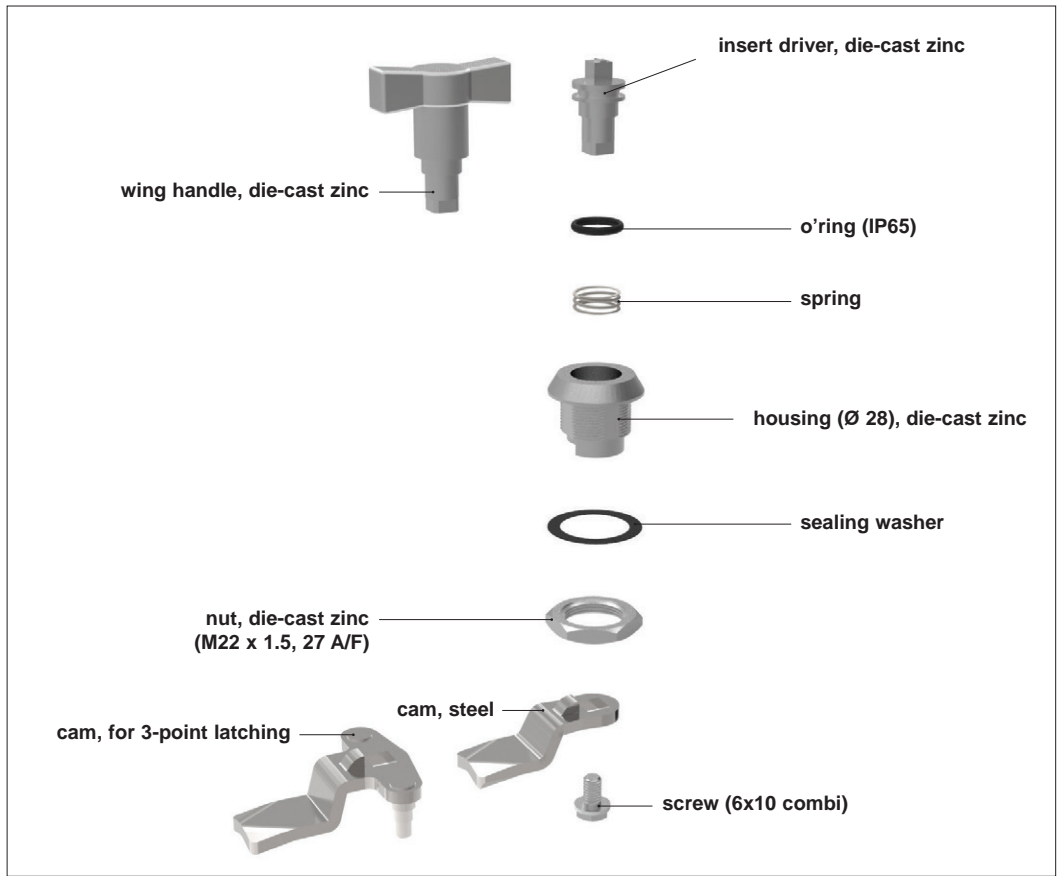
Sold subject to pack quantity.

| Order No. | Body finish | Handle | a | b | lh |
|--------------|---------------|---------------|----|----|----|
| A1181.AW0110 | Chrome Plated | Black Plastic | 28 | 20 | 18 |
| A1181.AW0210 | Black Coated | Black Plastic | 28 | 20 | 18 |
| A1181.AW0510 | Black Plastic | Black Plastic | 28 | 20 | 18 |

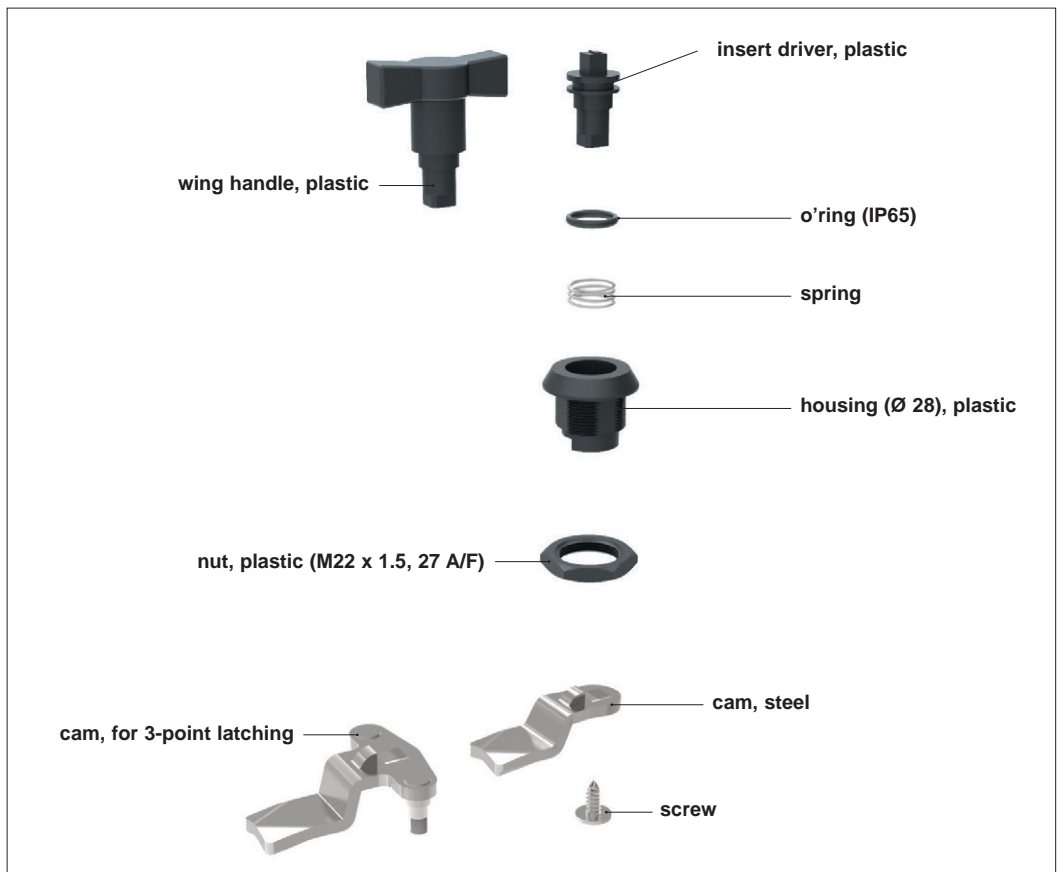


Die-cast Zinc: A1003, A1181

(also A1103 in stainless steel).



Plastic: A1021, A1181



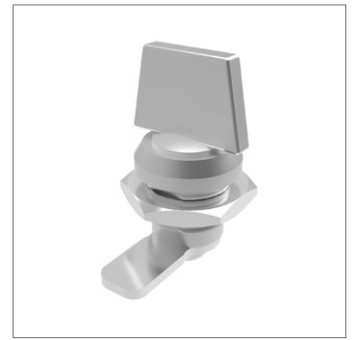
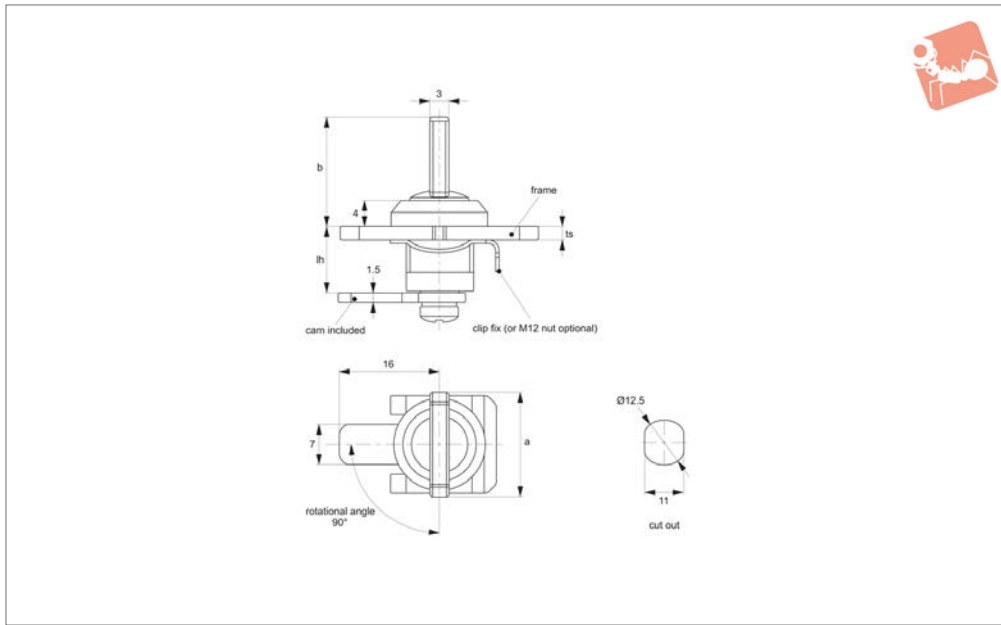


Mini Cam Latches - Wing Handle

fixed grip - zinc



Cam Latches



A1192

CAM LATCHES

Material

Body & Handle: die cast zinc, bright chrome plated.

Supplied with: Cam.

Technical Notes

Suitable for max. panel thickness 1-2mm.

Can be fixed to panel either via spring clip fix, or M12 nut.

Tips




Quarter-turn opening or closing.

Wing actuates lock and also acts as knob/handle.

| Order No. | Type | a | b | lh | ts |
|--------------|-------------|------|------|----|-------|
| A1192.AW0175 | Clip Fixing | 17.5 | 16.5 | 10 | 1-2mm |
| A1192.AW1175 | Nut Fixing | 17.5 | 16.5 | 10 | 1-2mm |



| Miscellaneous Cut out | Actuation Method | | | Body length (mm) | Body | | | Finishes | | | Cam Type | |
|---|------------------|---------------|-------------|------------------|---------------|-------------------|-----------------|---------------|--------------|---------|-----------------|----------------|
| | Insert Driver | Cylinder Lock | Manual/Grip | | Die-Cast Zinc | Polyamide Plastic | Stainless Steel | Chrome Plated | Black Coated | Natural | With Projection | W/O Projection |
|  | | | ✓ | 10 | ✓ | | ✓ | | | | | |
| A1192 - Mini Cam Latch - Wing Handle - Fixed Grip Cams: Supplied - Keys: N/A | | | | | | | | | | | | |
|  | ✓ | | | 25 | | ✓ | | ✓ | | | | 54 |
| A1506 - Panel Latches - Fixed Grip Cams: Supplied - Keys: A0102 | | | | | | | | | | | | |
|  | ✓ | | | 18 | ✓ | | | ✓ | | | | |
| A1520 - Cam Lock - Fixed Grip Cams: Supplied - Keys: A0102 | | | | | | | | | | | | |
|  | | | ✓ | | ✓ | | ✓ | | | | | |
| A1546 - Panel Latch - Uncovered Cams: Supplied - Keys: N/A | | | | | | | | | | | | |
|  | ✓ | | | 22,5 | ✓ | | | ✓ | | | | |
| A1561 - Panel Latch - with Cover Cams: Supplied - Keys: N/A | | | | | | | | | | | | |
|  | ✓ | | | | ✓ | | ✓ | | | | | |
| A1701 - Compression Latch - Lever Latch - Flush Trigger Cams: N/A - Keys: Supplied | | | | | | | | | | | | |
|  | ✓ | | | 19 | ✓ | | | ✓ | | | | |
| A1707 - Compression Latch - Lever Latch - Raised Trigger Cams: Supplied - Keys: Supplied | | | | | | | | | | | | |
|  | ✓ | | | | ✓ | | | ✓ | | | | |
| A1751 - Compression Latch - Lever Latch Cams: N/A - Keys: Supplied | | | | | | | | | | | | |

| Miscellaneous Cut out | Actuation Method | | | Body length (mm) | Body | | | Finishes | | | Cam Type | |
|---|------------------|---------------|-------------|------------------|---------------|-------------------|-----------------|---------------|--------------|---------|-----------------|----------------|
| | Insert Driver | Cylinder Lock | Manual/Grip | | Die-Cast Zinc | Polyamide Plastic | Stainless Steel | Chrome Plated | Black Coated | Natural | With Projection | W/O Projection |
|  | ✓ | | | | ✓ | | | ✓ | | | ✓ | 40 |
| A4241 - Cam Latch - with Rod Control - Extended Cover Cams: A0203, A0224, A0240 - Keys: A0102 | | | | | | | | | | | | |
|  | | ✓ | | | ✓ | | | ✓ | | | ✓ | 54 |
| A4260 - Cam Lock - with Rod Control - Wing Handle - Extended Cover Cams: A0203, A0224, A0240 - Keys: A0102 | | | | | | | | | | | | |
|  | ✓ | | | Various | ✓ | | | ✓ | | | ✓ | |
| A4221 - Cam Latch - with Rod Control - with Cover Cams: A0203, A0224 - Keys: A0102 | | | | | | | | | | | | |

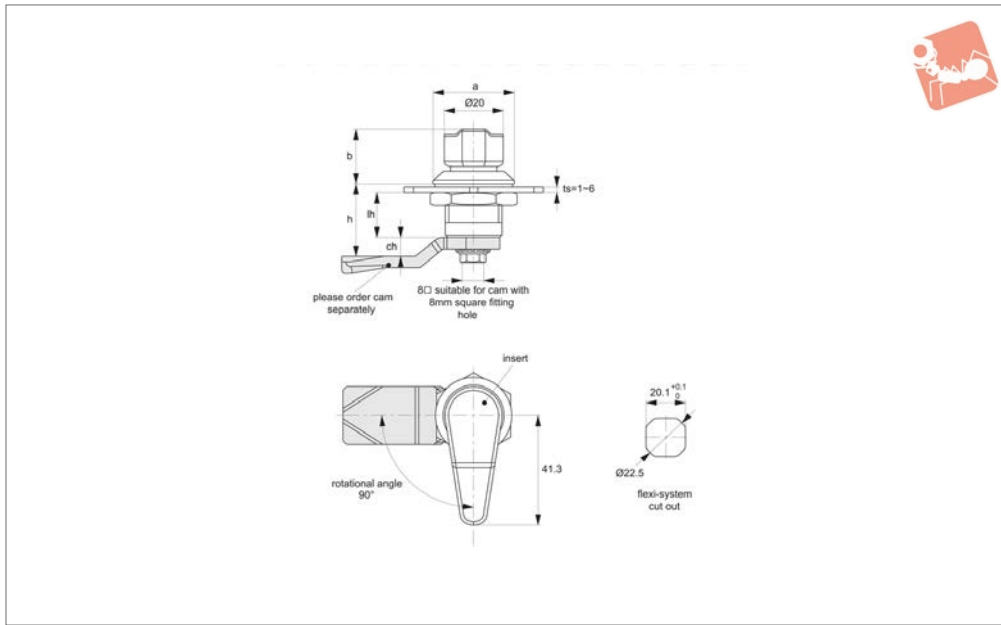


Cam Latches - Flexi-System

fixed grip - finger handle



Cam Latches



A1203

CAM LATCHES

Material

Type one: Body: die cast zinc, black powder coated.

Handle: polyamide, black.

Type two: Body & handle: polyamide, black.

Technical Notes

Order cam separately.

Cams: see suitable cam A0203, A0224 and A0240. Select „without projection“ cam

type.

Dimensions ch and cl relate to cam. Use formula to calculate ch (required cam off-set), and refer to cam selection chart;

ch = h - lh where;

ch = required cam off-set/height.

h = grip length (distance between inside of latch face and front of cam).

lh = body length of cam latch/lock to be used (see product table below).

Rods & Guides: to achieve 3-point latching - A0303, A0321, A0325.

Tips

Finger knob actuates lock, and also acts as a handle.

Important Notes

Sold subject to pack quantity.

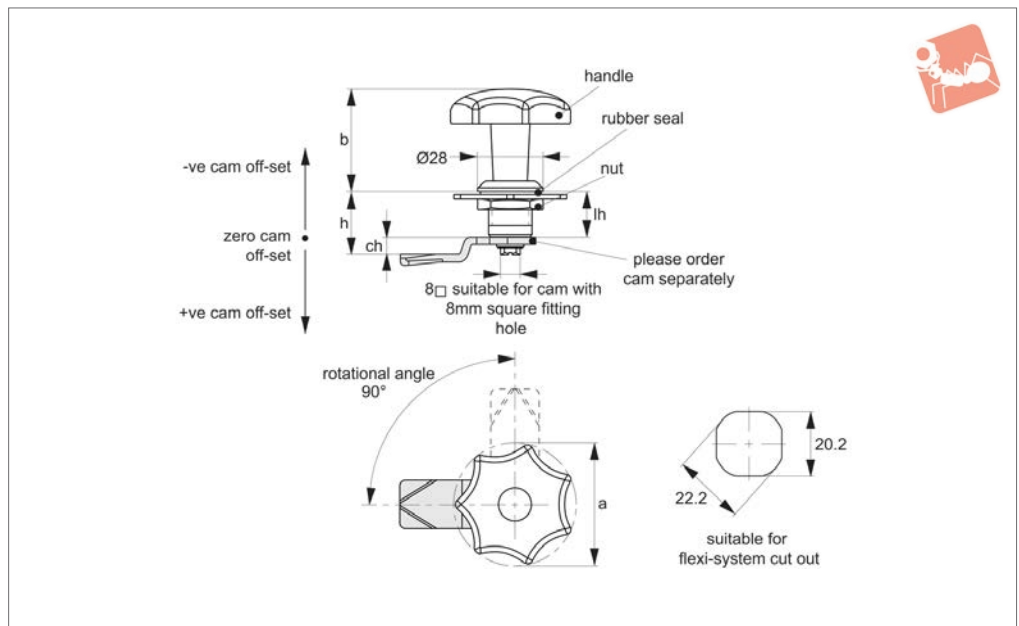
| Order No. | Type | a | b | lh |
|--------------|---------------|----|----|----|
| A1203.AW0318 | One Zinc | 28 | 18 | 18 |
| A1203.AW0328 | One Zinc | 28 | 18 | 28 |
| A1203.AW0362 | One Zinc | 28 | 18 | 62 |
| A1203.AW0518 | Two Polyamide | 28 | 18 | 18 |
| A1203.AW0536 | Two Polyamide | 28 | 18 | 36 |



CAM LATCHES



A1205



Material

Body: black powder coated zinc or polyamide.
 Handle: polyamide, black.
 Fitted with sealing gasket to achieve IP54 rating.
 Sealing washer: rubber.
Not supplied: CAM nor KEY - order separately.

Technical Notes

Order cam and key separately.
Cams: see suitable cam A0203 (steel), A0210 (stainless). Select „without projection“ cam type.
 Dimensions ch and cl relate to cam. Use formula to calculate ch (required cam off-

set), and refer to cam selection chart;
 $ch = h - lh$ where;
 ch = required cam off-set/height.
 h = grip length (distance between inside of latch face and front of cam).
 lh = body length of cam latch/lock to be used (see product table below).
 Suitable for panel thickness 1-6mm.

| Order No. | Material | a | b | lh |
|--------------|----------------------|----|----|----|
| A1205.AW0018 | Zinc Body, PA Handle | 27 | 18 | 18 |
| A1205.AW0028 | Zinc Body, PA Handle | 27 | 28 | 18 |
| A1205.AW0036 | Zinc Body, PA Handle | 27 | 36 | 18 |
| A1205.AW0062 | Zinc Body, PA Handle | 27 | 62 | 18 |
| A1205.AW1018 | PA Body & Handle | 27 | 18 | 18 |
| A1205.AW1028 | PA Body & Handle | 27 | 28 | 18 |

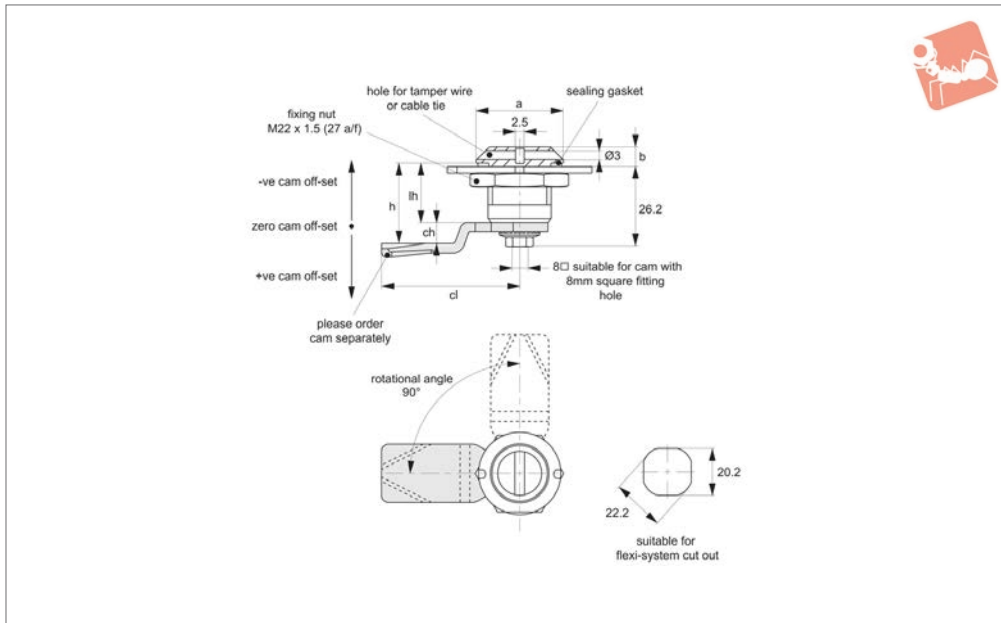


Cam Latches - Flexi-System

tamper evident - for wire or cable tie - zinc



Cam Latches



A1210

CAM LATCHES

Material

Body & Insert: die cast zinc, bright chrome plated.

Supplied With: Nut: steel.

Not supplied: CAM - order separately.

Technical Notes

Order cam and key separately.

Cams: see suitable cam A0203, A0224 and

A0240. Select „without projection“ cam type.

Dimensions ch and cl relate to cam. Use formula to calculate ch (required cam off-set), and refer to cam selection chart;

ch = h - lh where;

ch = required cam off-set/height.

h = grip length (distance between inside of

latch face and front of cam).

lh = body length of cam latch/lock to be used (see product table below).

Keys: see A0102.

Rods & Guides: to achieve 3-point latching - A0303, A0321, A0325.

Tips

Quarter-turn opening or closing.

| Order No. | a | b | lh |
|--------------|----|-----|----|
| A1210.AW0028 | 28 | 6.5 | 20 |



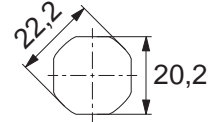
When selecting a Wixroyd Cam Latch for your application, you need to answer these questions:

1. Which installation cut out?
2. Which body style?
3. Which locking key?
4. Which accessories?
5. Which cam type and size?

Step 1: Which installation cut out?

Cut out

All our Flexi-System cam latches use a standard installation cut out 22,2 dia, 20,2 square, for maximum flexibility. We also provide a number of alternative cut out dimensions for legacy/historical installations.



flexi-system cut out

Step 2: Which body style?

Material and finish

Select from our variety of die cast zinc, polyamide plastic and stainless versions.



Die-cast zinc chrome plate

Die-cast zinc black coated

Polyamide black

Stainless steel

Actuation and locking method

Standard insert driver type, cylinder lock or wing handle type.



Insert driver

Cylinder lock

Wing handle

Number of latching points in application

Typically single point latching is required, but the Wixroyd Flexi-System also provides multi-point latching (typically 3 point - at lock point, top and bottom of cabinet).



Single point

Two point

Multi-point

Step 3: Which locking key?

Standard insert driver keys

Our range of insert driver cam latches require a simple key to actuate. Refer to part A0102 and A0103 for correct keys.



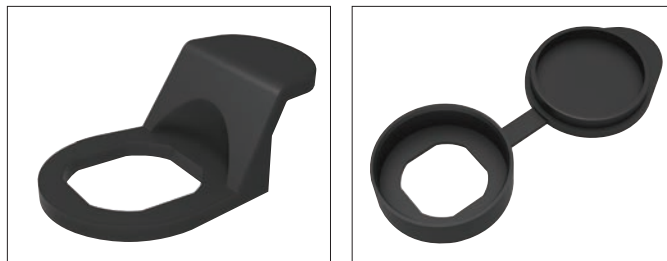
Cylinder locking

Our cam locks with cylinder locks are supplied with two keys per lock. Available as keyed alike or keyed to differ locks.



Step 4: Which accessories?

- Multi-point latching: use our rod set A0303 to A0325 for suitable rods and rod guides.
- Finger pulls: easily installed with any of our flexi-system cam bodies, finger pull no. A0352 is a simple, cost effective handle for your cabinets.
- Dust Cap: to reduce material ingress.

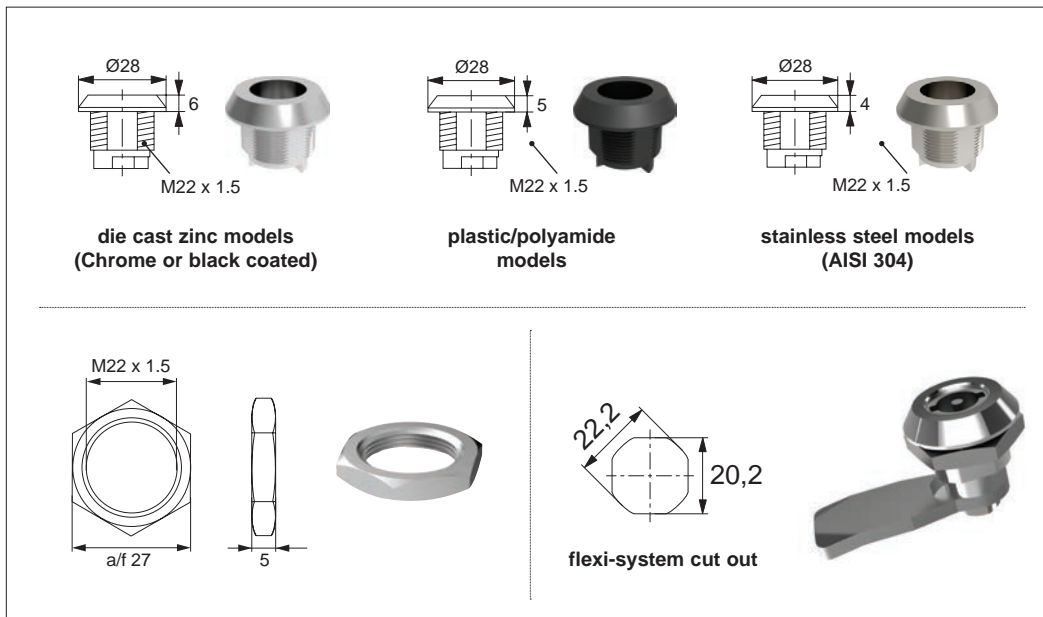




Wixroyd Cam Latches

general information

Cam Latches and Locks



Dimensions of our cam latch housings

Dimensions apply to our standard range of flexi-system cam latches.

CAM LATCHES

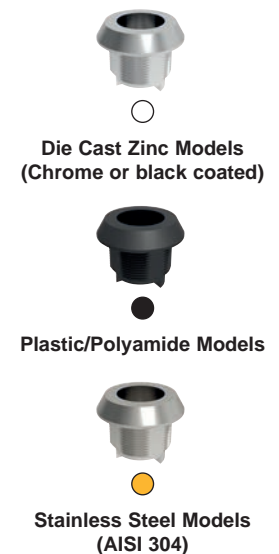
Available insert drivers for flexi-system latches

| | | | | |
|---|---|---|--|---|
| 3mm double bit <input checked="" type="checkbox"/> <input type="checkbox"/> <input type="checkbox"/> <input type="checkbox"/> | 4mm double bit <input checked="" type="checkbox"/> <input type="checkbox"/> <input type="checkbox"/> <input type="checkbox"/> | 6mm square <input type="checkbox"/> | 7mm square <input checked="" type="checkbox"/> <input type="checkbox"/> <input type="checkbox"/> | 8mm square <input checked="" type="checkbox"/> <input type="checkbox"/> <input type="checkbox"/> <input type="checkbox"/> |
| 7mm triangle <input checked="" type="checkbox"/> <input type="checkbox"/> <input type="checkbox"/> <input type="checkbox"/> | 8mm triangle <input checked="" type="checkbox"/> <input type="checkbox"/> <input type="checkbox"/> <input type="checkbox"/> | 9mm triangle <input type="checkbox"/> | Slotted <input checked="" type="checkbox"/> <input type="checkbox"/> <input type="checkbox"/> | Square 8mm with slot <input type="checkbox"/> |
| 10mm hex <input type="checkbox"/> | 8mm hex <input type="checkbox"/> | 8mm hex security pin <input type="checkbox"/> | 13mm eastern european <input type="checkbox"/> | Tubular <input type="checkbox"/> |

✓ Available as part of our standard range

✗ Available subject to a minimum order quantity

Available materials



ov-WA1004-A-T-WA1251-A-TCC0460-cam-latches-general-information-mh-Updated -26-10-2022



All our cam latches use a standard cut out dimension of 22,2 Ø and 20,2 square which accommodates many industry standards. Flexi-System parts are fully interchangeable, providing a completely flexible hardware system including two or three point latching systems.

Flexi-system

CAM LATCHES



insert driver cam latches



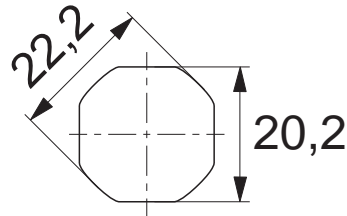
padlockable cam latches



wing handle cam latches



extended grip cam latches



flexi-system cut out



cam locks



t-handle locks



l-handle locks



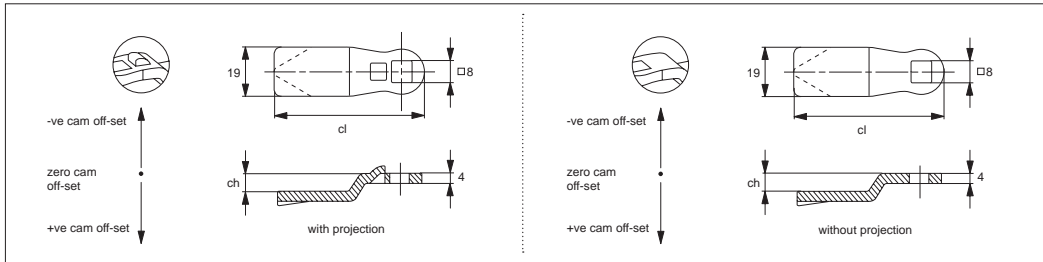
compression latches

Selecting the Correct Cam Latch or Lock

Cam Latches and Locks

With or without "Projection"

Different cam bodies require cams either with or without projection.



With projection cams prevent turning of the cam over 45°, but is not suited to all cam bodies. For correct projection type please see individual cam body technical pages.

Number of Latching Points

Single point cams are suitable where just single point latching is required. Multi-point cams are for applications requiring 2 or 3 latching points.

Step 5: Which cam type and size?

Wixroyd cams are available in a number of different materials; zinc plated steel, stainless steel (AISI 304) and black plastic.

Cam off-set (dimension ch)

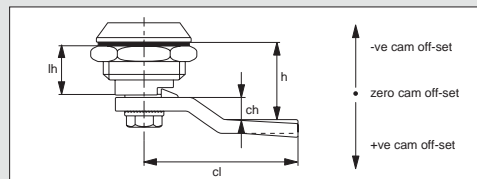
To ensure your cam fully and correctly engages with the frame of your door the correct cam off-set must be selected. A cam off-set can be either negative (-ve) or positive (+ve).

Cam length (dimension cl)

This impacts the reach of the cam to door frame and hence impacts positioning of cam body for installation. Cam length is measured from the centre of the cam fixing hole to the cam's leading edge. Most typically cams are 45 mm in length.

Use formula to calculate ch (required cam off-set), and refer to the cam selection chart.

- ch = h - lh where;
- ch = the required cam off-set/height
- h = grip length (distance between inside of latch face and front of cam).
- lh = body length of cam latch/lock to be used (see example below)



Calculation of correct cam off-set

This is the most important aspect of the selection process.

Example one

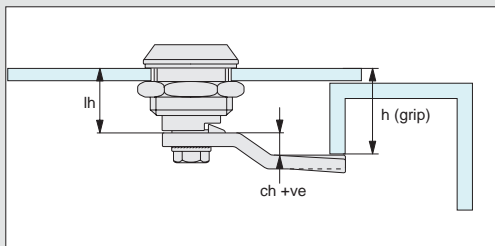
Cam body A1003.AW0010 has been selected for the application. If we refer to the data sheet for this part, suitable cams are parts A0203, A0210 or A0240 - "without projection".

Known application information: h = 26 lh = 18

Therefore; ch = 26 - 18 = +8

Cam off set of +8 is required

Using the data tables for cams A0203, A0210, and A0240 we can select the following cams without projection with an off set of +8; A0203.AW5408 (steel), A0210.AW0428 (stainless) or A0240.AW0108 (three point cam).



Example two

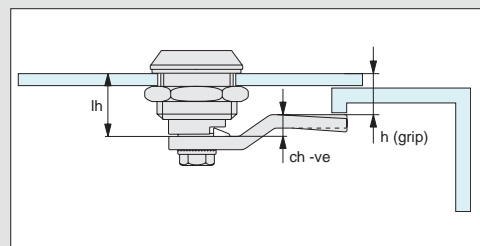
Cam body A1003.AW0010 has been selected for the application. If we refer to the data sheet for this part, suitable cams are parts A0203, A0210 or A0240 - "without projection".

Known application information: h = 14 lh = 18

Therefore; ch = 14 - 18 = - 4

The required cam off set is negative, - 4 as the application's door frame is effectively shorter/lower than the length of the cam body

Using the data tables for cams A0203, A0210 and A0240 we can select the following cam without projection with an off set of - 4; A0203.AW6404 (steel).



Example of calculation of correct cam off-set



| Suitable With Projection Cams | | | | |
|-------------------------------|-----------------------|--------------------------------|--------------------------------|--------------------------------|
| Compatible cam no. | A0261 | A0203 | A0210 | A0240 |
| | 6 x 6 square | 8 x 8 square | 8 x 8 square | 8 x 8 square |
| Cam fitting hole | | | | |
| Cam latch / lock no. | A1261 / A1281 / A2390 | A2503 / A2504 A2523 / A2528 | A2503 / A2504 A2523 / A2528 | A2503 / A2504 A2523 / A2528 |

| Suitable Without Projection Cams Table 1 | | | | |
|--|---|---|---|---|
| Compatible cam no. | A0203 | A0210 | A0240 | A0243 |
| | 8 x 8 square | 8 x 8 square | 8 x 8 square | 8 x 8 square |
| Cam fitting hole | | | | |
| Cam latch / lock no. | A1003 / A1021 / A1103 A1161 / A1168 / A1181 A1203 / A1210 / A1251 A1601 / A1620 / A1801 A2001 / A2203 / A2326 A2333 / A2392 / A2526 A4221 / A4241 / A4260 B1082 / B1086 / B1088 B1091 / B1092 / B1180 B1281 / B1285 / B1380 B1450 / B2091 / B2181 | A1003 / A1021 / A1103 A1161 / A1168 / A1181 A1203 / A1210 / A1251 A1601 / A1620 / A1801 A2001 / A2203 / A2326 A2333 / A2392 / A2526 A4221 / A4241 / A4260 B1082 / B1086 / B1088 B1091 / B1092 / B1180 B1281 / B1285 / B1380 B1450 / B2091 / B2181 | A1003 / A1021 / A1103 A1161 / A1168 / A1181 A1203 / A1210 / A1251 A1601 / A1620 / A1801 A2001 / A2203 / A2326 A2333 / A2392 / A2526 A4221 / A4241 / A4260 B1082 / B1086 / B1088 B1091 / B1092 / B1180 B1281 / B1285 / B1380 B1450 / B2091 / B2181 | A1003 / A1021 / A1103 A1161 / A1168 / A1181 A1203 / A1210 / A1251 A1601 / A1620 / A1801 A2001 / A2203 / A2326 A2333 / A2392 / A2526 A4221 / A4241 / A4260 B1082 / B1086 / B1088 B1091 / B1092 / B1180 B1281 / B1285 / B1380 B1450 / B2091 / B2181 |

| Suitable Without Projection Cams Table 2 | | | | | |
|--|---------------|----------------|--|--------------------------------|--------------------------------|
| Compatible cam no. | A0250 | A0234 | A0215 | A0231 | A0233 |
| | 5 x 5 square | 6,3 dia. x 4,9 | 7 x 7 square | 8 x 10 dia. | 8 x 10 dia. |
| Cam fitting hole | | | | | |
| Cam latch / lock no. | A4600 / A4620 | A1661 / A1667 | B2082 / B2084 / B2086 B2088 / B2285 / B2380 | A1603 / A1611 A1630 / A1810 | A1603 / A1611 A1630 / A1810 |

Calculation of correct cam off-set

Cam off-set

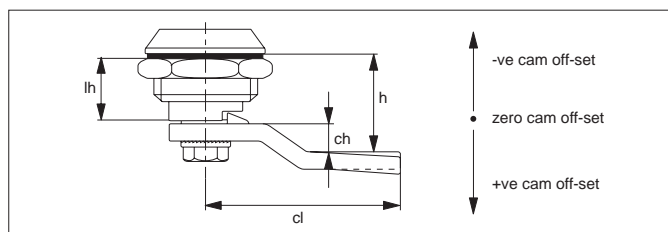
Use the formula to calculate your correct cam off-set:

$$ch = h - lh$$

ch = the required cam off-set.

h = distance between inside of lock face and front of cam (also referred to as "grip length").

lh = length of cam body to be used (refer to individual cam body data sheets).



Cam Off-Set (dimension ch)

To ensure your cam fully and correctly engages with the frame of your door the correct cam off-set must be selected. A cam off-set can be either negative (-ve) or positive (+ve).

Cam Length (dimension cl)

Impacts reach of the cam to door frame and hence impacts positioning of cam body for installation. Cam length or reach is measured from the centre of the cam fixing hole to the cam's leading edge. Refer to individual cam body datasheets.










Wixroyd Cam and Compression Latches

flexi-system cut out product selection charts



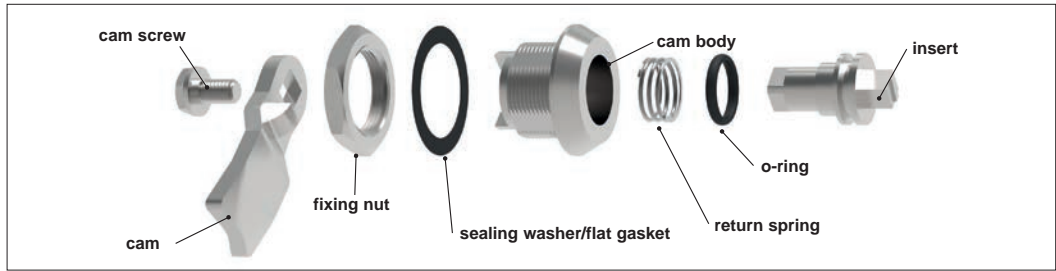
Cam Latches and Locks

| flexi-system cut out  | Actuation Method | | | Body Length (mm) | Body | | | Finishes | | | Cam Type | | IP Rating |
|---|------------------|---------------|-------------|------------------|---------------|-------------------|-----------------|---------------|--------------|---------|-----------------|----------------|-----------|
| | Insert Driver | Cylinder Lock | Manual/Grip | | Die-Cast Zinc | Polyamide Plastic | Stainless Steel | Chrome Plated | Black Coated | Natural | With Projection | W/O Projection | |
| A1003 - Cam Latch - Fixed Grip  | ✓ | | | 18 | ✓ | | | ✓ | ✓ | | ✓ | 54 | |
| Cams: A0203, A0224, A0240 - Keys: A0102 | | | | | | | | | | | | | |
| A1021 - Cam Latch - Fixed Grip  | ✓ | | | 18 | ✓ | | | | | ✓ | ✓ | 54 | |
| Cams: A0203, A0224, A0240 - Keys: A0102 | | | | | | | | | | | | | |
| A1041 - Cam Latch - Push-to-Close - Fixed Grip  | ✓ | | | 18 | ✓ | | | ✓ | | | | | |
| Cams: Supplied - Keys: A0102 | | | | | | | | | | | | | |
| A1103 - Cam Latch - Fixed Grip  | ✓ | | | 18 | | ✓ | | | | ✓ | ✓ | 54 | |
| Cams: A0210 - Keys: A0102 | | | | | | | | | | | | | |
| A1161 - Cam Latch - Padlockable - Fixed Grip  | | ✓ | | 18 | ✓ | | | ✓ | ✓ | | ✓ | | |
| Cams: A0203, A0224, A0240 - Keys: Padlockable | | | | | | | | | | | | | |
| A1168 - Cam Latch - Dust Proof Cap - Fixed Grip  | ✓ | | | 18 | ✓ | | | ✓ | | | ✓ | 54 | |
| Cams: A0203, A0224, A0240 - Keys: A0102 | | | | | | | | | | | | | |
| A1181 - Cam Latch - Wing Handle - Fixed Grip  | | | ✓ | 18,5 | ✓ | ✓ | | ✓ | ✓ | ✓ | ✓ | ✓ | |
| Cams: A0203, A0224, A0240 - Keys: N/A | | | | | | | | | | | | | |

| | Actuation Method | | | Body Length (mm) | Body | | | Finishes | | | Cam Type | | IP Rating |
|--|------------------|---------------|-------------|------------------|---------------|-------------------|-----------------|---------------|--------------|---------|-----------------|----------------|-----------|
| | Insert Driver | Cylinder Lock | Manual/Grip | | Die-Cast Zinc | Polyamide Plastic | Stainless Steel | Chrome Plated | Black Coated | Natural | With Projection | W/O Projection | |
| A1203 - Cam Latch - Finger Handle - Fixed Grip  | | ✓ | | Various | ✓ | | | | | ✓ | ✓ | ✓ | |
| Cams: A0203, A0224, A0240 - Keys: N/A | | | | | | | | | | | | | |
| A1210 - Cam Latch - Tamper Evident  | | ✓ | | 20 | ✓ | | | | | ✓ | | ✓ | |
| Cams: A0203, A0224, A0240 - Keys: N/A | | | | | | | | | | | | | |
| A1241 - Cam Latch - Stepped Grip  | ✓ | | | Various | ✓ | | | | | ✓ | | 65 | |
| Cams: Supplied - Keys: A0102 | | | | | | | | | | | | | |
| A1251 - Cam Latch - Fixed Extended Body  | ✓ | | | Various | ✓ | | | | | ✓ | | 54 | |
| Cams: A0203, A0224, A0240 - Keys: A0102 | | | | | | | | | | | | | |
| A1580 - Compression Latch - Fixed Grip  | | ✓ | | 18 | ✓ | | | | | ✓ | | | |
| Cams: N/A - Keys: A0102 | | | | | | | | | | | | | |
| A1601 - Compression Latch - Fixed Grip  | ✓ | | | 31 | ✓ | | | | | ✓ | ✓ | ✓ | |
| Cams: A0203, A0224 - Keys: A0102 | | | | | | | | | | | | | |
| A1603 - Compression Latch - Fixed Grip  | ✓ | | | 38 | ✓ | | | | | ✓ | | ✓ | |
| Cams: A0231, A0233 - Keys: A0102 | | | | | | | | | | | | | |

CAM LATCHES

ov-WA1003-A-TCC0400-WA1251-A-TCC0460-cam-compression-latches-product-selection-chart-a-rmh-Updated-27-10-2022



Materials

Physical and chemical characteristics of polyamide

| | |
|---------------------------|-------------------------|
| Physical condition | solid (at 20°C) |
| Density | > 1,0 g/cm ³ |
| Yield Point | 220°C |
| Smell | No particular smell |
| Dissolvability in water | Undissolvable |
| Segregation temperature | > 350°C |
| Fire Point | >390°C |
| Auto ignition temperature | > 400°C |

Zinc

Zinc Alloy is the most fundamental material for the Wixroyd product range. Housings, inserts, handles, spacers, keys, hinges etc, are all die cast products. The zinc used is a zinc alloy with the following contents (except zinc): Al 4,03% Cu 0,83% as well as minor contents of Mg, Fe, Pb, Cd, Sn and Ni.

RoHS Compliance

Our Cam Latches are RoHS Compliant.



Plastic - Polyamide

Many of our products are made of injection moulded plastic, normally polyamide. When needed, we add fibreglass to the material, in order to optimise qualities of the product. Examples of products made out of polyamide: handles, housings, rod guides etc.

Degrees of sealing protection

IP ratings

A product classified to an IP rating has either been tested in an independent laboratory, or due to the resemblance of its structure to a tested product, classified as IP.

Important note: We can only guarantee our products correspond to the indicated classification when assembled and used correctly.

IP65 RATED

IP 65: Dust Tight and Jetting Secure. Through the application of an o-ring and a flat gasket, this higher classification can be achieved.

IP54 RATED

IP 54: Dust and Splash Protected. This is the standard classification for our products. Equivalent to NEMA3.

Flat gaskets/ Sealing Washer

| Character | Value | Standard |
|------------------------|--------------------------|-----------|
| Density | 1,35 g/cm ³ | DIN 53479 |
| Hardness | 65 Shore A | DIN 53505 |
| Breaking Strain | 5 N/mm ² | DIN 53504 |
| Expansion | 200% | DIN 53504 |
| Heat & cold resistance | max. 70°C, min. -35°C | |

Through the application of a flat gasket between the lock and the door, class IP 65 or NEMA 4 is achieved.

Pressure deformation test

| Time/temp. | Type of test | Standard | Result |
|------------|--------------|-------------|--------|
| 22h/100°C | DVR | DIN 53517 A | 9% |
| 70h/100°C | DVR | DIN 53517 A | 12% |

The flat gasket is made out of a mixture of NBR (Nitrile Rubber) and SBR (Styrolbutadiene Rubber). This gives the gasket a satisfactory chemical resistance and a good constancy to oil.

O Rings

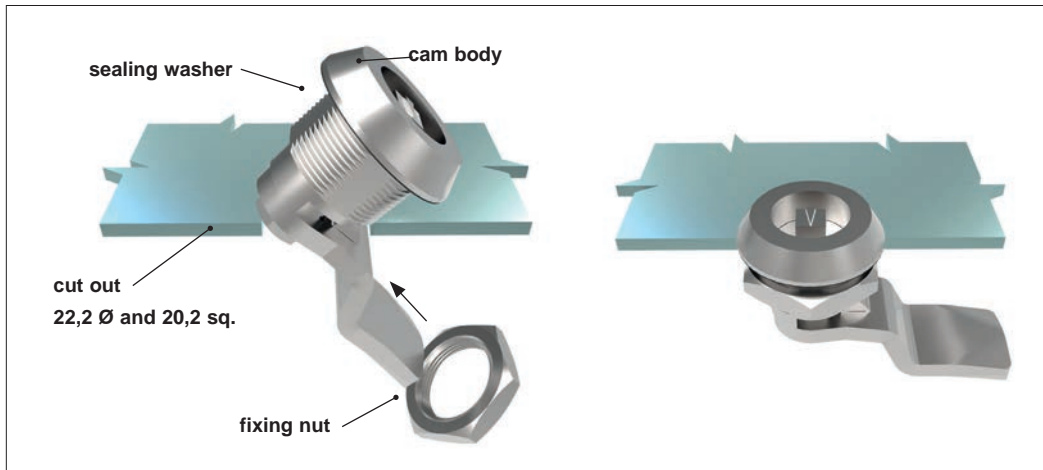
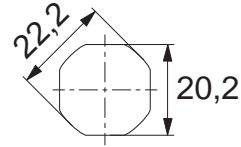
| Character | Value | Standard |
|------------------------|---------------------------|-----------|
| Density | 1,240 g/cm ³ | DIN 53479 |
| Hardness | 71 Shore A | DIN 53505 |
| Breaking strain | 14 N/mm ² | DIN 53504 |
| Expansion | 280% | DIN 53504 |
| Recoil elasticity | 32% | DIN 53512 |
| Heat & cold resistance | max. 120°C, min. -40°C | |

For all O-rings, an NBR material with the following technical characteristics is used.



Flexi-system cut out

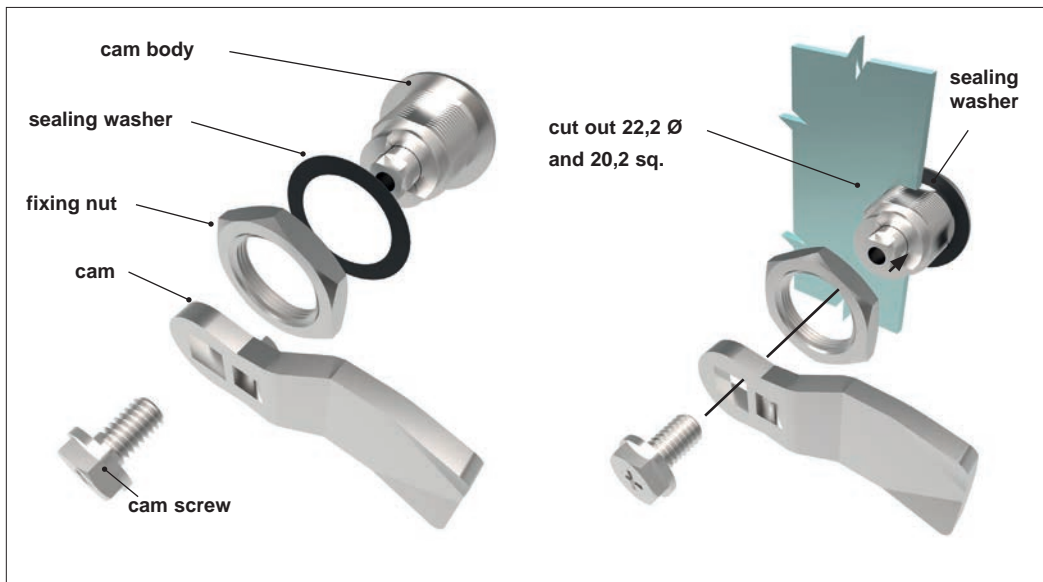
Our flexi-system is based on a standard installation cut out 22,2 Ø and 20,2 sq.



Option 1:
Installation when fully assembled

When the cam latch grip (h) is 9mm or more this method is possible:-

1. With the cam body and cam fully assembled, attach the sealing washer to cam body.
2. Tilt the latch 45° and pass it, cam first, through the installation cut out in the panel.
3. When in place attach the fixing nut to the cam body to secure. Tighten to 10 Nm max.



Option 2:
Installation unassembled

When the cam latch grip (h) is less than 9mm this method is suitable:-

1. Prior to commencing ensure that the cam body, cam, cam screw, fixing nut and sealing washer are completely unassembled.
2. Attach the sealing washer to the cam body and pass through installation cut out in panel.
3. Attach the fixing nut to the cam body to secure. Tighten to 10 Nm max.
4. Attach the cam to the cam body. Once you have ensured that the cam has the correct orientation toward the panel frame, secure the cam screw and tighten to 4 Nm.

ov-WA1003-A-TCC04-00-WA4260-A-T-cam-latch-installation-rmh-Updated -26-10-2022