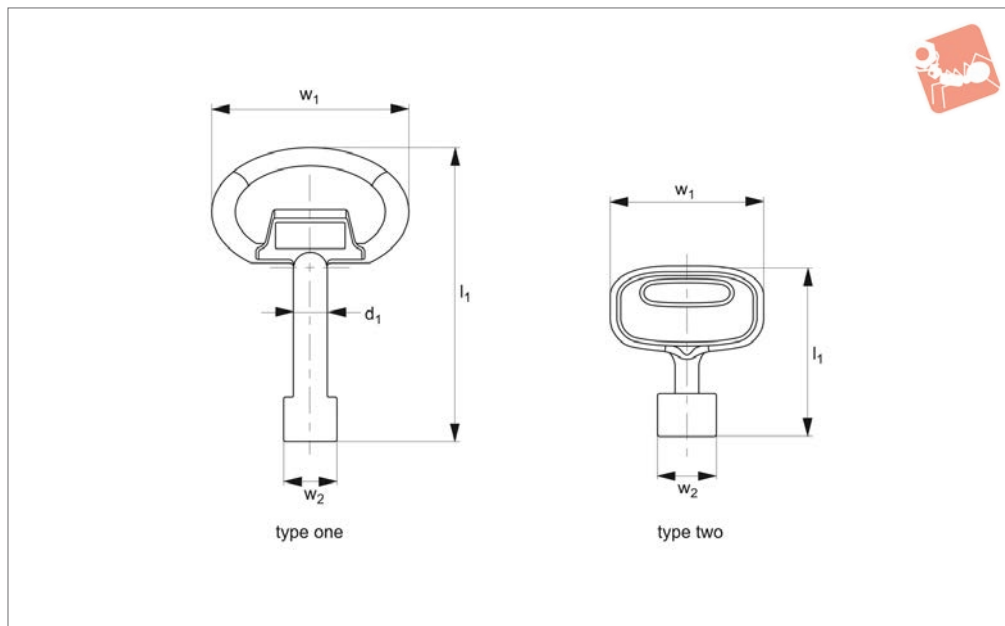




Keys - Flexi-System for cam latches and locks - zinc

Cam Latch Accessories



A0102

CAM LATCH ACCESSORIES

Material

Die cast zinc.

Technical Notes

Keys for our range of cam latches. For slot

type cam latches no special key required - simply use flat head screwdriver.

Note: For part A1661.AW0006 (Square 6) use key A0102.AW0206 only.

Important Notes

Sold subject to pack quantity.

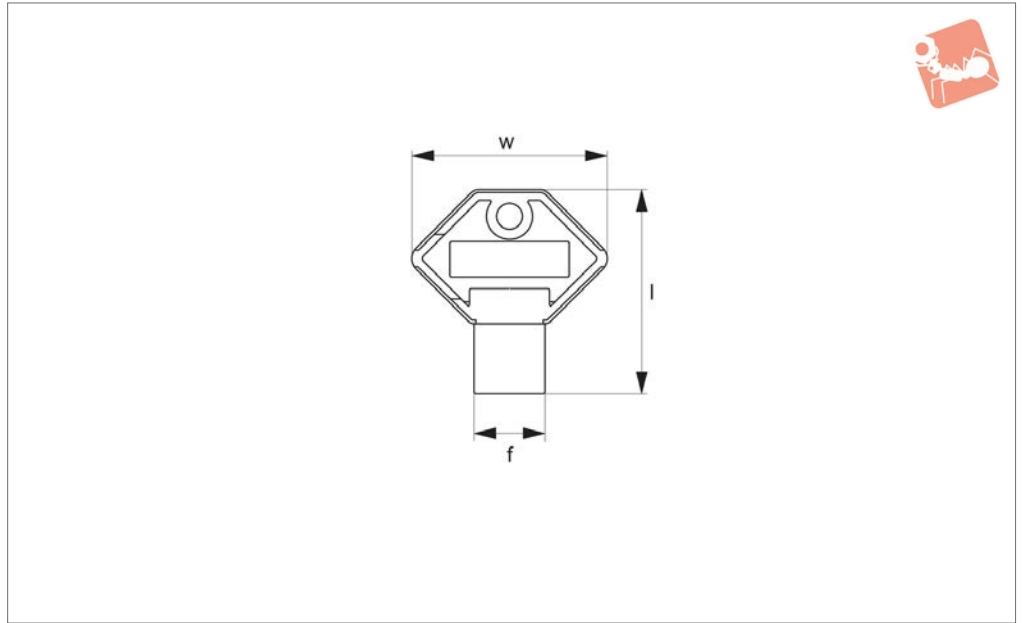
Order No.	Insert driver	Type	d ₁	l ₁	w ₁	w ₂
A0102.AW0006	Square 6	Type One	9	74.5	49	13.8
A0102.AW0010	Square 7	Type One	9	74.5	49	13.8
A0102.AW0020	Square 8	Type One	9	74.5	49	13.8
A0102.AW0040	Triangle 7	Type One	9	74.5	49	13.8
A0102.AW0050	Triangle 8	Type One	9	74.5	49	13.8
A0102.AW0055	Triangle 9	Type One	9	74.5	49	13.8
A0102.AW0060	3mm Double Bit	Type One	9	70.0	49	13.2
A0102.AW0070	4mm Double Bit	Type One	9	74.5	49	13.8
A0102.AW0090	8mm Hex Pin	Type One	9	74.5	49	13.8
A0102.AW0100	10mm Hex Socket	Type One	9	74.5	49	13.8
A0102.AW0206	Square 6	Type two	9	32.0	30	11.0

Available insert drivers:

Square 6	Square 7	Square 8	Triangle 7	Triangle 8	Triangle 9	3-5mm Double Bit	Hexagon 8 with pin	10mm Hex Socket	2 x 4mm Slotted
6	7	8	6.5	8	9	Ø 3-5	8	10	



A0103



Material

Body: plastic.

type cam latches no special key required - simply use flat head screwdriver.

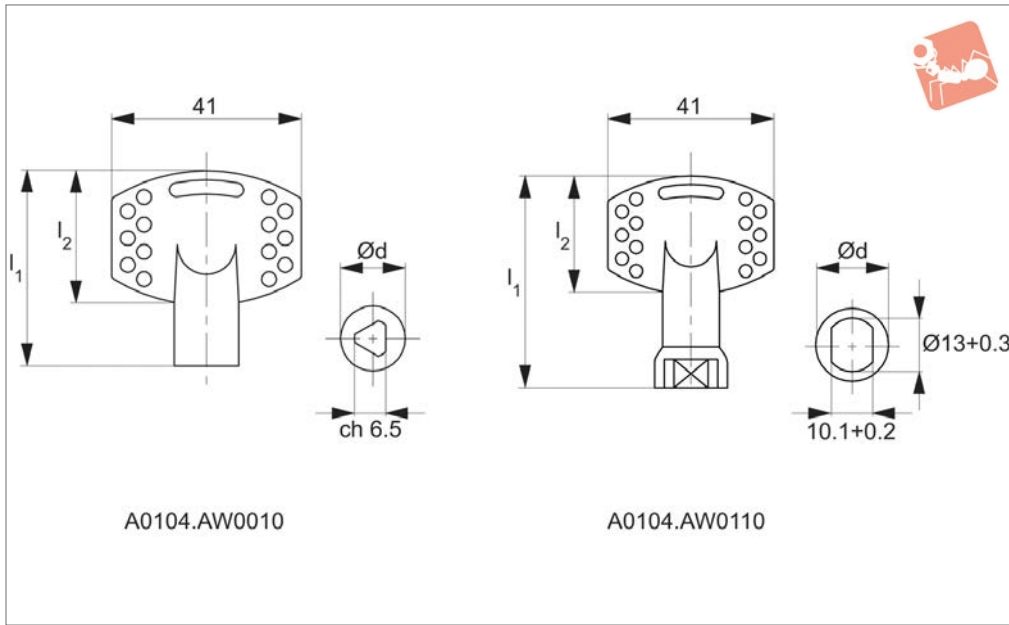
Technical Notes

Keys for our range of cam latches. For slot

Important Notes

Sold subject to pack quantity.

Order No.	Insert driver	f	l	w
A0103.AW0040	7mm Triangle	40	41.5	40
A0103.AW0055	9mm Triangle	40	41.5	40
A0103.AW0050	8mm Triangle	40	41.5	40
A0103.AW0006	6mm Square	40	41.5	40
A0103.AW0010	7mm Square	40	41.5	40
A0103.AW0020	8mm Square	40	41.5	40



A0104

CAM LATCH ACCESSORIES

Material

A0104.AW0010: Plastic
A0104.AW0110: Plastic handle, steel insert

Technical Notes

Keys for Hygienic line Cam Locks A1104.
Order cam and key separately.

Holes provide opportunity for lanyard to guard against theft.

Tips

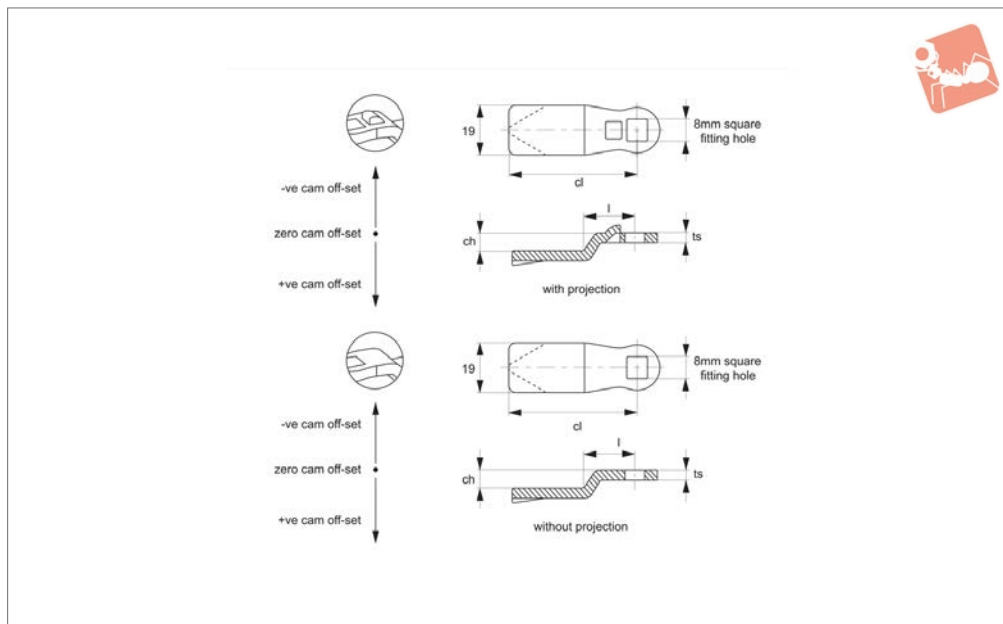
Made to the high "3A" standard.
This ensures it meets the high standards required for use in food, beverage, phar-

maceutical and medical applications.
Hygienically designed for effective and easy cleaning, corrosion resistant, non-toxic.
Design precludes contamination by dirt, food particles and organic matter.

Order No.	Insert driver	d	l ₁	l ₂	w
A0104.AW0010	Triangle 7	14	42	28	41
A0104.AW0110	Stadium	18	52	28	41



A0203



Material

Steel, zinc plated.

Technical Notes

Use formula to calculate ch (required cam off-set), and select from product table below;

$ch = h - lh$ where;

ch = required cam off-set/height.

h = grip length (distance between inside of latch face and front of cam).

lh = body length of cam latch/lock to be used (see individual latch/lock product table).

Refer to installation drawing below.

Important Notes

Suitable for Flexi-System latches. „With projection“ type ensures correct location and prevents cam rotating over 45°. See **cam selection chart for specific latch/lock suitability.**

Sold subject to pack quantity.

Order No.	Type	ch	cl	ts	Where lh = 18	Where lh = 18,5	Where lh = 20	Where lh = 24	Where lh = 30	Where lh = 40	Where lh = 50	Where lh = 60
A0203.AW0300	With Projection	0	35	3	18,5	20,0	24,0	30	40	50	60	52
A0203.AW0302	With Projection	2	35	3	20,5	22,0	26,0	32	42	52	62	52
A0203.AW0304	With Projection	4	35	3	22,5	24,0	28,0	34	44	54	64	52
A0203.AW0308	With Projection	8	35	3	26,5	28,0	32,0	38	48	58	68	52
A0203.AW0310	With Projection	10	35	3	28,5	30,0	34,0	40	50	60	70	52
A0203.AW0400	With Projection	0	45	3	18,0	18,5	20,0	24	30	40	50	60
A0203.AW0402	With Projection	2	45	3	20,5	22,0	26,0	32	42	52	62	52
A0203.AW0403	With Projection	3	45	3	21,0	21,5	23,0	27	33	43	53	63
A0203.AW0404	With Projection	4	45	3	22,0	22,5	24,0	28	34	44	54	64
A0203.AW0406	With Projection	6	45	3	24,0	24,5	26,0	30	36	46	56	66
A0203.AW0407	With Projection	7	45	3	25,0	25,5	27,0	31	37	47	57	67
A0203.AW0408	With Projection	8	45	3	26,0	26,5	28,0	32	38	48	58	68
A0203.AW0410	With Projection	10	45	3	28,0	28,5	30,0	34	40	50	60	70
A0203.AW0412	With Projection	12	45	3	30,0	30,5	32,0	36	42	52	62	72
A0203.AW0414	With Projection	14	45	3	32,0	32,5	34,0	38	44	54	64	74
A0203.AW0416	With Projection	16	45	3	34,0	34,5	36,0	40	46	56	66	76
A0203.AW0418	With Projection	18	45	3	36,0	36,5	38,0	42	48	58	68	78
A0203.AW0420	With Projection	20	45	3	38,0	38,5	40,0	44	50	60	70	80
A0203.AW1302	With Projection	-2	35	3	16,5	18,0	22,0	28	38	48	58	52
A0203.AW1402	With Projection	-2	45	3	16,0	16,5	18,0	22	28	38	48	58
A0203.AW1404	With Projection	-4	45	3	14,5	16,0	20,0	26	36	46	56	52
A0203.AW1406	With Projection	-6	45	3	12,5	14,0	18,0	24	34	44	54	52
A0203.AW1408	With Projection	-8	45	3	10,5	12,0	16,0	22	32	42	52	52
A0203.AW5300	W/o Projection	0	35	4	18,0	18,5	20,0	24	30	40	50	60
A0203.AW5302	W/o Projection	2	35	4	20,0	20,5	22,0	26	32	42	52	62
A0203.AW5304	W/o Projection	4	35	4	22,0	22,5	24,0	28	34	44	54	64
A0203.AW5306	W/o Projection	6	35	4	24,0	24,5	26,0	30	36	46	56	66
A0203.AW5310	W/o Projection	10	35	4	28,0	28,5	30,0	34	40	50	60	70
A0203.AW5400	W/o Projection	0	45	3	18,0	18,5	20,0	24	30	40	50	60
A0203.AW5402	W/o Projection	2	45	3	20,0	20,5	22,0	26	32	42	52	62



Single Point Cams - Flexi-System

for cam latches and locks - steel - 8 x 8 Sq.



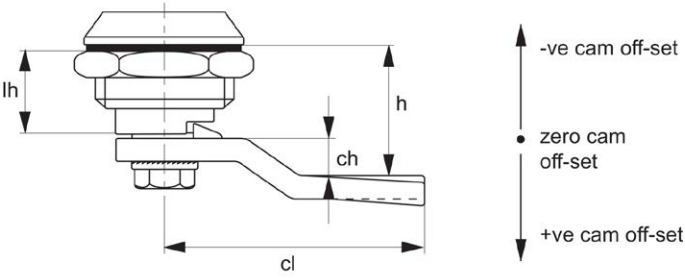
Order No.	Type	ch	cl	ts	Where lh = 18	Where lh = 18,5	Where lh = 20	Where lh = 24	Where lh = 30	Where lh = 40	Where lh = 50	Where lh = 60
A0203.AW5403	W/o Projection	3	45	21	21,5	23,0	27,0	33	43	53	63	52
A0203.AW5404	W/o Projection	4	45	3	22,0	22,5	24,0	28	34	44	54	64
A0203.AW5406	W/o Projection	6	45	3	24,0	24,5	26,0	30	36	46	56	66
A0203.AW5407	W/o Projection	7	45	3	25,0	25,5	27,0	31	37	47	57	67
A0203.AW5408	W/o Projection	8	45	3	26,0	26,5	28,0	32	38	48	58	68
A0203.AW5410	W/o Projection	10	45	3	28,0	28,5	30,0	34	40	50	60	70
A0203.AW5412	W/o Projection	12	45	3	30,0	30,5	32,0	36	42	52	62	72
A0203.AW5414	W/o Projection	14	45	3	32,0	32,5	34,0	38	44	54	64	74
A0203.AW5416	W/o Projection	16	45	3	34,0	34,5	36,0	40	46	56	66	76
A0203.AW5418	W/o Projection	18	45	3	36,0	36,5	38,0	42	48	58	68	78
A0203.AW5420	W/o Projection	20	45	3	38,0	38,5	40,0	44	50	60	70	80
A0203.AW6302	W/o Projection	-2	35	4	16,0	16,5	18,0	22	28	38	48	64
A0203.AW6402	W/o Projection	-2	45	3	16,0	16,5	18,0	22	28	38	48	58
A0203.AW6404	W/o Projection	-4	45	4	14,0	14,5	16,0	20	26	36	46	56
A0203.AW6406	W/o Projection	-6	45	4	12,0	12,5	14,0	18	24	34	44	54
A0203.AW6408	W/o Projection	-8	45	4	10,5	12,0	16,0	22	32	42	52	52
A0203.AW6494	With Projection	-4	45	14	14,5	16,0	20,0	26	36	46	56	52
A0203.AW6496	With Projection	-6	45	12	12,5	14,0	18,0	24	34	44	54	52
A0203.AW6498	With Projection	-8	45	10	10,5	12,0	16,0	22	32	42	52	52
A0203.AW0305	With Projection	5	35	4	23,0	23,5	25,0	29	35	45	55	65
A0203.AW1304	With Projection	-4	35	4	14,0	14,5	14,5	20	26	36	46	56
A0203.AW1306	With Projection	-6	35	4	12,0	12,5	12,5	18	24	34	44	54
A0203.AW1308	With Projection	-8	35	4	10	10,5	10,5	16	22	32	42	52
A0203.AW1314	With Projection	-14	35	4	4,0	4,5	4,5	10	16	26	36	46
A0203.AW5308	W/o Projection	8	35	3	26,0	26,5	26,5	32	38	48	58	68
A0203.AW5312	W/o Projection	12	35	4	30,0	30,5	30,5	36	42	52	62	72
A0203.AW5314	W/o Projection	14	35	3	32,0	32,5	32,5	38	44	54	64	74
A0203.AW5318	W/o Projection	18	35	3	36,0	36,5	36,5	42	48	58	68	78
A0203.AW5322	W/o Projection	22	35	4	40,0	40,5	40,5	46	52	62	72	82
A0203.AW5324	W/o Projection	24	35	3	42,0	42,5	42,5	48	54	64	74	84
A0203.AW5326	W/o Projection	26	35	4	44,0	44,5	44,5	50	56	66	76	86
A0203.AW5328	W/o Projection	28	35	3	46,0	46,5	46,5	52	58	68	78	88
A0203.AW5360	W/o Projection	30	35	4	48,0	48,5	48,5	54	60	70	80	90
A0203.AW6301	W/o Projection	-1	35	3	17,0	17,5	17,5	23	29	39	49	59
A0203.AW6306	W/o Projection	-6	35	3	12,0	12,5	12,5	18	24	34	44	54
A0203.AW6308	W/o Projection	-8	35	3	10,0	10,5	10,5	16	22	32	42	52
A0203.AW6310	W/o Projection	-10	35	4	8,0	8,5	8,5	14	20	30	40	50
A0203.AW6314	W/o Projection	-14	35	3	4,0	4,5	4,5	10	16	26	36	46
A0203.AW6316	W/o Projection	-16	35	4	2,0	2,5	2,5	8	14	24	34	44
A0203.AW5422	W/o Projection	22	45	3,4	40,0	40,5	42,0	46	52	62	72	82
A0203.AW5424	W/o Projection	24	45	3,4	42,0	42,5	44,0	48	54	64	74	84
A0203.AW5426	W/o Projection	26	45	3,4	44,0	44,5	46,0	50	56	66	76	86
A0203.AW5428	W/o Projection	28	45	3	46,0	46,5	48,0	52	58	68	78	88
A0203.AW5430	W/o Projection	30	45	3,4	48,0	48,5	50,0	54	60	70	80	90
A0203.AW5432	W/o Projection	32	45	3,4	50,0	50,5	52,0	56	62	72	82	92
A0203.AW5434	W/o Projection	34	45	3,4	52,0	52,5	54,0	58	64	74	84	94
A0203.AW6410	W/o Projection	-10	45	3,4	8,0	8,5	10,0	14	20	30	40	50
A0203.AW6412	W/o Projection	-12	45	3,4	6,0	6,5	8,0	12	18	28	38	48
A0203.AW6414	W/o Projection	-14	45	3,4	4,0	4,5	6,0	10	16	26	36	46
A0203.AW6416	W/o Projection	-16	45	3,4	2,0	2,5	4,0	8	14	24	34	44
A0203.AW6418	W/o Projection	-18	45	3,4		0,5	2,0	6	12	22	32	42
A0203.AW6420	W/o Projection	-20	45	3,4	-2,0	-1,5		4	10	20	30	40
A0203.AW6422	W/o Projection	-22	45	3,4	-4,0	-3,5	-2,0	2	8	18	28	38
A0203.AW6424	W/o Projection	-24	45	3	-6,0	-5,5	-4,0	0	6	16	26	36
A0203.AW0422	With Projection	22	45	3,4	40,0	40,5	42,0	46	52	62	72	82
A0203.AW0424	With Projection	24	45	4	42,0	42,5	44,0	48	54	64	74	84
A0203.AW0426	With Projection	26	45	4	44,0	44,5	46,0	50	56	66	76	86
A0203.AW0428	With Projection	28	45	4	46,0	46,5	48,0	52	58	68	78	88
A0203.AW0432	With Projection	32	45	3	50,0	50,5	52,0	56	62	72	82	92
A0203.AW1410	With Projection	-10	45	4	8,0	8,5	10,0	14	20	30	40	50
A0203.AW1412	With Projection	-12	45	4	6,0	6,5	8,0	12	18	28	38	48
A0203.AW1414	With Projection	-14	45	4	4,0	4,5	6,0	10	16	26	36	46
A0203.AW1420	With Projection	-20	45	4	-2,0	-1,5		4	10	20	30	40
A0203.AW1422	With Projection	-22	45	4	-4,0	-3,5	-2,0	2	8	18	28	38
A0203.AW1426	With Projection	-26	45	4	-8,0	-7,5	-6,0	-2	4	14	24	34

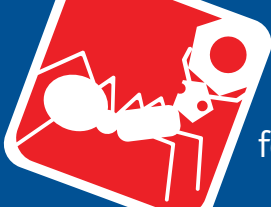
CAM LATCH ACCESSORIES



Order No.	Type	ch	cl	ts	Where lh = 18	Where lh = 18,5	Where lh = 20	Where lh = 24	Where lh = 30	Where lh = 40	Where lh = 50	Where lh = 60
A0203.AW1428	With Projection	-28	45	4	-10,0	-,5	-8,0	-4	2	12	22	32

CAM LATCH ACCESSORIES

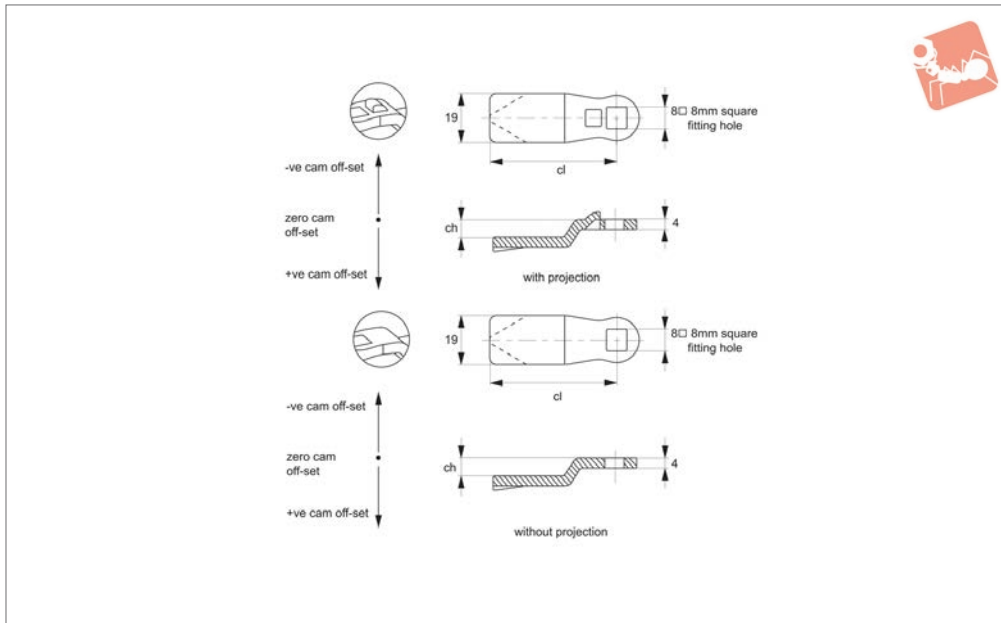




Single Point Cams - Flexi-System

for cam latches and locks - stainless steel - 8 x 8 Sq.

Cam Latch Accessories



A0210

CAM LATCH ACCESSORIES

Material

Stainless steel, AISI 304.

Technical Notes

Use formula to calculate ch (required cam off-set), and select from product table below;

$ch = h - lh$ where;

ch = required cam off-set/height.

h = grip length (distance between inside of latch face and front of cam).

lh = body length of cam latch/lock to be used (see individual latch/lock product table).

Refer to installation drawing below.

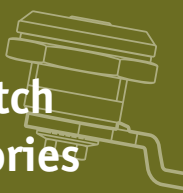
Important Notes

Suitable for Flexi-System latches. „With projection“ type ensures correct location and prevents cam rotating over 45°. See **cam selection chart for specific latch/lock suitability.**

Sold subject to pack quantity.

Order No.	Type	ch	cl	Where lh = 18 h =	Where lh = 18,5 h =
A0210.AW0400	With Projection	0	45	18	18.5
A0210.AW0420	Without Projection	0	45	18	18.5
A0210.AW0402	With Projection	2	45	20	20.5
A0210.AW0423	Without Projection	2	45	20	20.5
A0210.AW0404	With Projection	4	45	22	22.5
A0210.AW0424	Without Projection	4	45	22	22.5
A0210.AW0406	With Projection	6	45	24	24.5
A0210.AW0426	Without Projection	6	45	24	24.5
A0210.AW0408	With Projection	8	45	26	26.5
A0210.AW0428	Without Projection	8	45	26	26.5
A0210.AW0410	With Projection	10	45	28	28.5
A0210.AW0430	Without Projection	10	45	28	28.5
A0210.AW0412	With Projection	12	45	30	30.5
A0210.AW0432	Without Projection	12	45	30	30.5
A0210.AW0434	Without Projection	14	45	32	32.5
A0210.AW0436	Without Projection	16	45	34	34.5
A0210.AW0438	Without Projection	18	45	36	36.5
A0210.AW0500	With Projection	20	45	38	38.5
A0210.AW0520	Without Projection	20	45	38	38.5
A0210.AW0422	With Projection	22	45	40	40.5
A0210.AW5422	Without Projection	22	45	40	40.5
A0210.AW0524	With Projection	24	45	22	22.5
A0210.AW5424	Without Projection	24	45	42	42.5
A0210.AW0526	With Projection	26	45	24	24.5
A0210.AW5426	Without Projection	26	45	44	44.5
A0210.AW0528	With Projection	28	45	26	26.5
A0210.AW5428	Without Projection	28	45	46	46.5
A0210.AW5430	Without Projection	30	45	48	48.5
A0210.AW0532	With Projection	32	45	30	30.5
A0210.AW5432	Without Projection	32	45	50	50.5

Cam Latch Accessories



Single Point Cams - Flexi-System

for cam latches and locks - stainless steel - 8 x 8 Sq.



CAM LATCH ACCESSORIES

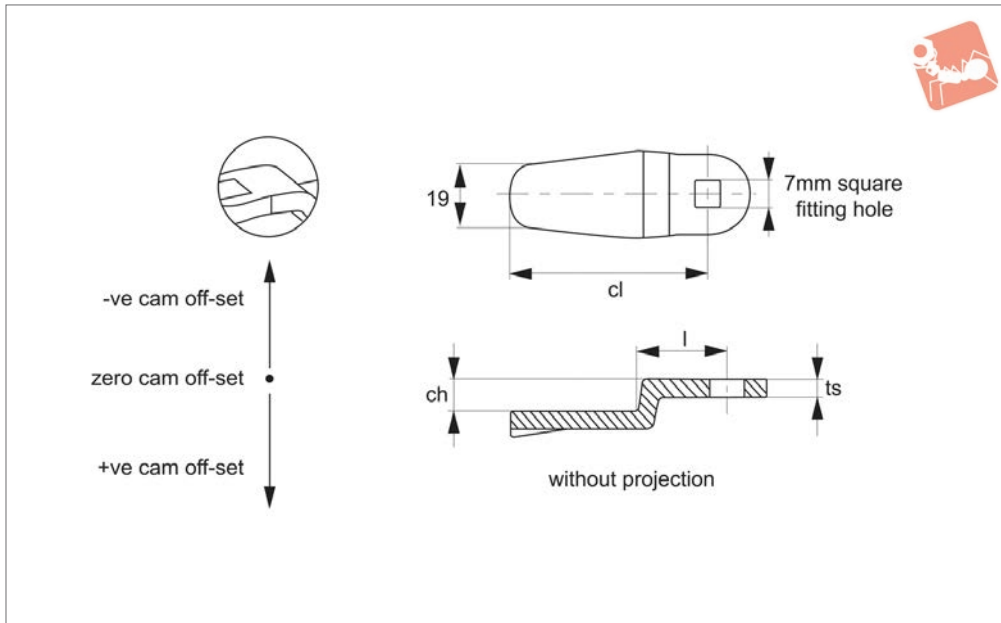
Order No.	Type	ch	cl	Where lh = 18 h =	Where lh = 18,5 h =
A0210.AW5434	Without Projection	34	45	52	52,5
A0210.AW0002	Without Projection	-2	45	16	16,5
A0210.AW6304	Without Projection	-4	35	14	14,5
A0210.AW6410	With Projection	-10	45	8	8,5
A0210.AW1410	Without Projection	-10	45	8	8,5
A0210.AW1412	With Projection	-12	45	6	6,5
A0210.AW6412	Without Projection	-12	45	6	6,5
A0210.AW1414	With Projection	-14	45	4	4,5
A0210.AW6414	Without Projection	-14	45	4	4,5
A0210.AW6416	Without Projection	-16	45	2	2,5
A0210.AW6418	Without Projection	-18	45	0	0,5
A0210.AW1420	With Projection	-20	45	-2	-1,5
A0210.AW6420	Without Projection	-20	45	-2	-1,5
A0210.AW1422	With Projection	-22	45	-4	-3,5
A0210.AW6422	Without Projection	-22	45	-4	-3,5
A0210.AW6424	Without Projection	-24	45	-6	-5,5
A0210.AW1426	With Projection	-26	45	-8	-7,5
A0210.AW1428	Without Projection	-28	45	-10	-9,5

Order No.	Where lh = 20 h =	Where lh = 25 h =	Where lh = 30 h =	Where lh = 40 h =	Where lh = 50 h =	Where lh = 60 h =
A0210.AW0400	20	25	30	40	50	60
A0210.AW0420	20	25	30	40	50	60
A0210.AW0402	22	27	32	42	52	62
A0210.AW0423	22	27	32	42	52	62
A0210.AW0404	24	29	34	44	54	64
A0210.AW0424	24	29	34	44	54	64
A0210.AW0406	26	31	36	46	56	66
A0210.AW0426	26	31	36	46	56	66
A0210.AW0408	28	33	38	48	58	68
A0210.AW0428	28	33	38	48	58	68
A0210.AW0410	30	35	40	50	60	70
A0210.AW0430	30	35	40	50	60	70
A0210.AW0412	32	37	42	52	62	72
A0210.AW0432	32	37	42	52	62	72
A0210.AW0434	34	39	44	54	64	74
A0210.AW0436	36	41	46	56	66	76
A0210.AW0438	38	43	48	58	68	78
A0210.AW0500	40	45	50	60	70	80
A0210.AW0520	40	45	50	60	70	80
A0210.AW0422	42	47	52	62	72	82
A0210.AW5422	42	47	52	62	72	82
A0210.AW0524	24	29	34	44	54	64
A0210.AW5424	44	49	54	64	74	84
A0210.AW0526	26	31	36	46	56	66
A0210.AW5426	46	51	56	66	76	86
A0210.AW0528	28	33	38	48	58	68
A0210.AW5428	48	53	58	68	78	88
A0210.AW5430	50	55	60	70	80	90
A0210.AW0532	32	37	42	52	62	72
A0210.AW5432	52	57	62	72	82	92
A0210.AW5434	54	59	64	74	84	94
A0210.AW0002	18	23	28	38	48	58
A0210.AW6304	16	21	26	36	46	56
A0210.AW6410	10	15	20	30	40	50
A0210.AW1410	10	15	20	30	40	50
A0210.AW1412	8	13	18	28	38	48
A0210.AW6412	8	13	18	28	38	48
A0210.AW1414	6	11	16	26	36	46
A0210.AW6414	6	11	16	26	36	46
A0210.AW6416	4	9	14	24	34	44
A0210.AW6418	2	7	12	22	32	42
A0210.AW1420	0	5	10	20	30	40
A0210.AW6420	0	5	10	20	30	40
A0210.AW1422	-2	3	8	18	28	38
A0210.AW6422	-2	3	8	18	28	38
A0210.AW6424	-4	1	6	16	26	36
A0210.AW1426	-6	-1	4	14	24	34
A0210.AW1428	-8	-3	2	12	22	32



Single Point Cams - Flexi-System - 7 x for cam latches and locks - steel

Cam Latch Accessories



A0215

CAM LATCH ACCESSORIES

Material

Steel, zinc plated.

Technical Notes

Use formula to calculate ch (required cam off-set), and select from product table below;

$ch = h - lh$ where;

ch = required cam off-set/height.

h = grip length (distance between inside of latch face and front of cam).

lh = body length of cam latch/lock to be used (see individual latch/lock product

table).

Refer to installation drawing below.

Important Notes

See cam selection chart for specific latch/lock suitability.

Sold subject to pack quantity.

Order No.	Type	ch	cl	ts	Where lh = 18 h =
A0215.AW5400	W/o Projection	0	45	3	18
A0215.AW5402	W/o Projection	2	45	3	20
A0215.AW5404	W/o Projection	4	45	3	22
A0215.AW5406	W/o Projection	6	45	3	24
A0215.AW5407	W/o Projection	7	45	3	25
A0215.AW5408	W/o Projection	8	45	3	26
A0215.AW5410	W/o Projection	10	45	3	28
A0215.AW5412	W/o Projection	12	35	3	30
A0215.AW5414	W/o Projection	14	45	3	32
A0215.AW5417	W/o Projection	17	45	3	35
A0215.AW5416	W/o Projection	16	45	3	34
A0215.AW5418	W/o Projection	18	45	3	36
A0215.AW5420	W/o Projection	20	45	3	38
A0215.AW5305	W/o Projection	5	35	3	23
A0215.AW5306	W/o Projection	6	35	3	24
A0215.AW5310	W/o Projection	10	35	3	28
A0215.AW5312	W/o Projection	12	35	3	30
A0215.AW5315	W/o Projection	15	35	3	33
A0215.AW5320	W/o Projection	20	35	3	38

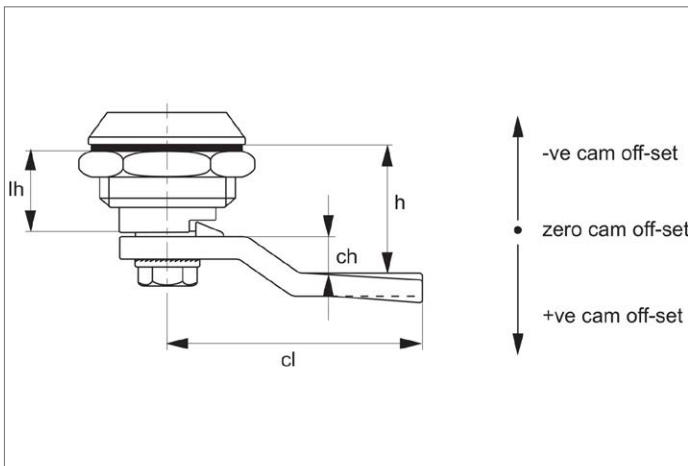
Order No.	Where lh = 18,5 h =	Where lh = 20 h =	Where lh = 24 h =	Where lh = 30 h =	Where lh = 40 h =	Where lh = 50 h =	Where lh = 60 h =
A0215.AW5400	18.5	20	24	30	40	50	60
A0215.AW5402	20.5	22	26	32	42	52	62
A0215.AW5404	22.5	24	28	34	44	54	64
A0215.AW5406	24.5	26	30	36	46	56	66
A0215.AW5407	25.5	27	31	37	47	57	67
A0215.AW5408	26.5	28	32	38	48	58	68
A0215.AW5410	28.5	30	34	40	50	60	70
A0215.AW5412	30.5	32	36	42	52	62	72
A0215.AW5414	32.5	34	38	44	54	64	74



Order No. Where lh = 18,5 h =Where lh = 20 h =Where lh = 24 h =Where lh = 30 h =Where lh = 40 h =Where lh = 50 h =Where lh = 60 h =

A0215.AW5417	35.5	37	41	47	57	67	77
A0215.AW5416	34.5	36	40	46	56	66	76
A0215.AW5418	36.5	38	42	48	58	68	78
A0215.AW5420	38.5	40	44	50	60	70	80
A0215.AW5305	23.5	25	29	35	45	55	65
A0215.AW5306	24.5	26	30	36	46	56	66
A0215.AW5310	28.5	30	34	40	50	60	70
A0215.AW5312	30.5	32	36	42	52	62	72
A0215.AW5315	33.5	35	39	45	55	65	75
A0215.AW5320	38.5	40	44	50	60	70	80

CAM LATCH ACCESSORIES

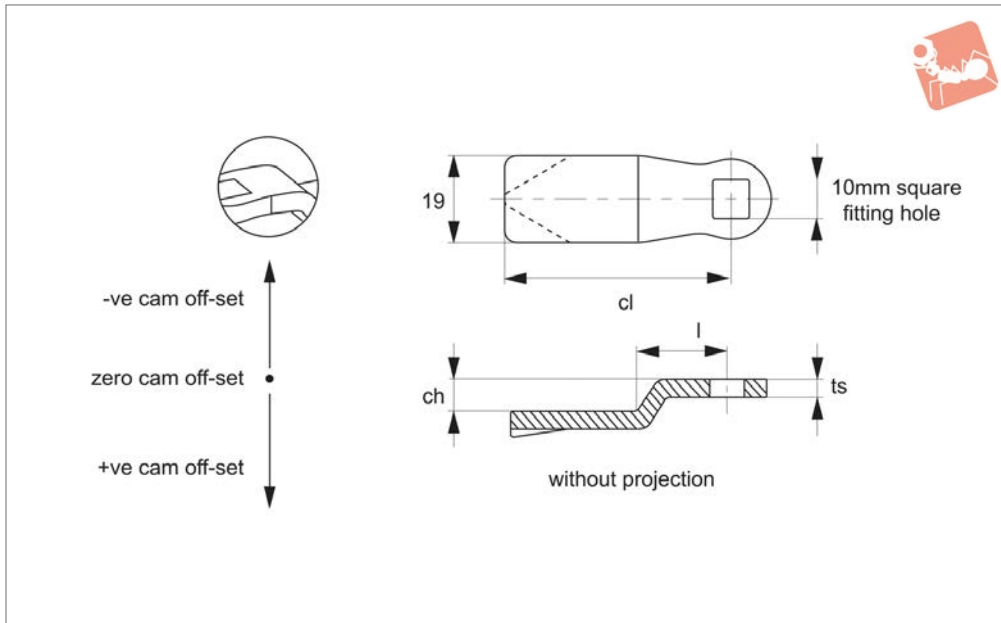




Single Point Cams - Flexi-System - 10

for cam latches and locks - steel

Cam Latch Accessories



A0216

CAM LATCH ACCESSORIES

Material

Steel, zinc plated.

Technical Notes

Use formula to calculate ch (required cam off-set), and select from product table below;

$ch = h - lh$ where;

ch = required cam off-set/height.

h = grip length (distance between inside of latch face and front of cam).

lh = body length of cam latch/lock to be used (see individual latch/lock product

table).

Refer to installation drawing below.

Important Notes

See cam selection chart for specific latch/lock suitability.

Sold subject to pack quantity.

Order No.	Type	ch	cl	ts	Where $lh = 18 h =$
A0216.AW6406	W/o Projection	-6	45	3	12
A0216.AW6410	W/o Projection	-10	45	3	8
A0216.AW5500	W/o Projection	0	50	3	18
A0216.AW5507	W/o Projection	7	50	3	25
A0216.AW5508	W/o Projection	8	50	3	26
A0216.AW5510	W/o Projection	10	50	3	28
A0216.AW5514	W/o Projection	14	50	3	32
A0216.AW5520	W/o Projection	20	50	3	38
A0216.AW6506	W/o Projection	-6	50	3	12
A0216.AW5400	W/o Projection	0	45	3	18
A0216.AW5403	W/o Projection	3	45	3	21
A0216.AW5409	W/o Projection	9	45	3	27
A0216.AW5410	W/o Projection	10	45	3	28
A0216.AW5412	W/o Projection	12	45	3	30
A0216.AW5420	W/o Projection	20	45	3	38

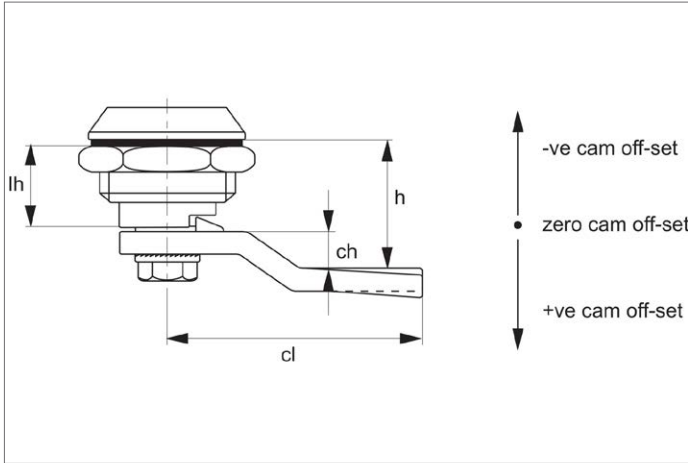
Order No.	Where $lh = 18,5 h =$	Where $lh = 20 h =$	Where $lh = 24 h =$	Where $lh = 30 h =$	Where $lh = 40 h =$	Where $lh = 50 h =$	Where $lh = 60 h =$
A0216.AW6406	12.5	14	18	24	34	44	54
A0216.AW6410	8.5	10	14	20	30	40	50
A0216.AW5500	18.5	20	24	30	40	50	60
A0216.AW5507	25.5	27	31	37	47	57	67
A0216.AW5508	26.5	28	32	38	48	58	68
A0216.AW5510	28.5	30	34	40	50	60	70
A0216.AW5514	32.5	34	38	44	54	64	74
A0216.AW5520	38.5	40	44	50	60	70	80
A0216.AW6506	12.5	14	18	24	34	44	54
A0216.AW5400	18.5	20	24	30	40	50	60
A0216.AW5403	21.5	23	27	33	43	53	63
A0216.AW5409	27.5	29	33	39	49	59	69
A0216.AW5410	28.5	30	34	40	50	60	70



Order No. Where lh = 18,5 h =Where lh = 20 h =Where lh = 24 h =Where lh = 30 h =Where lh = 40 h =Where lh = 50 h =Where lh = 60 h =

A0216.AW5412	30.5	32	36	42	52	62	72
A0216.AW5420	38.5	40	44	50	60	70	80

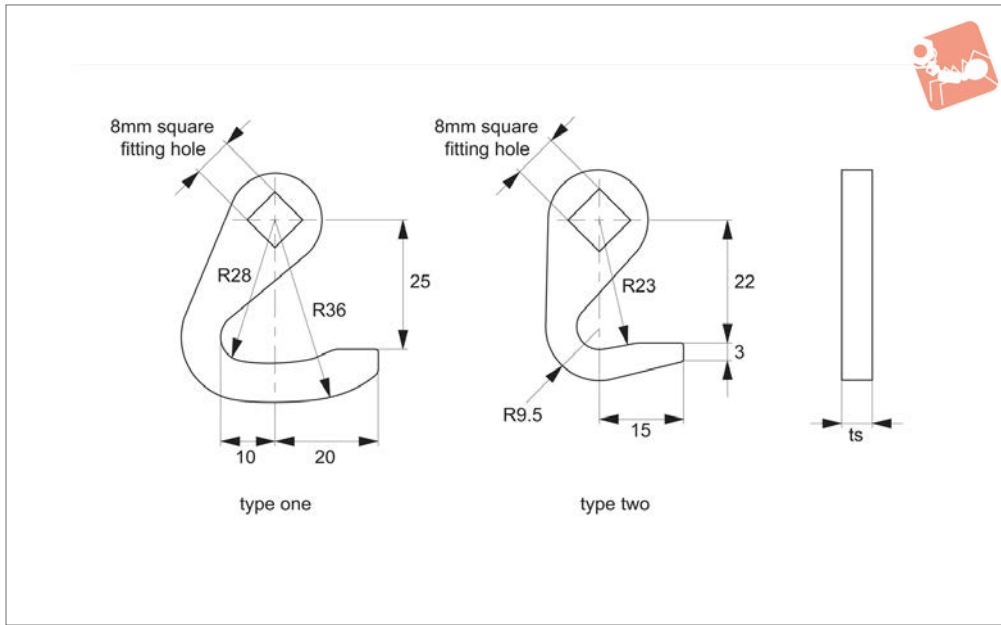
CAM LATCH ACCESSORIES





Hooked Cam - Flexi-System - 8 x 8 Sq. for cam latches and locks - zinc

Cam Latch Accessories



A0224

CAM LATCH ACCESSORIES

Material

Steel, zinc plated.

Allows securing to fixed point or plate within frame.

Important Notes

Suitable for flexi system latches.

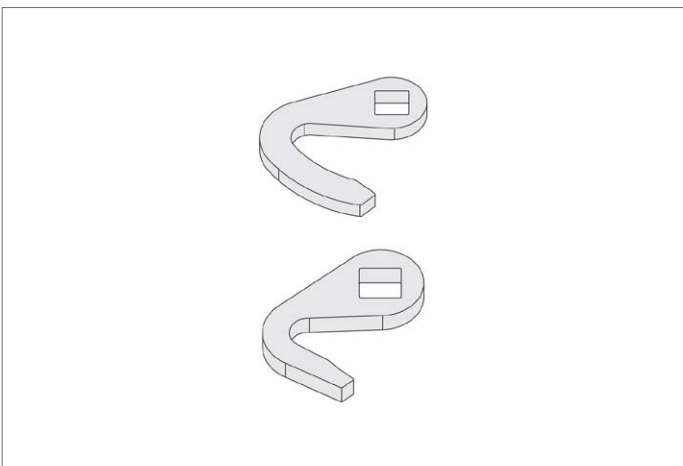
Technical Notes

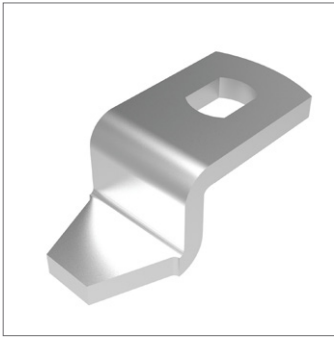
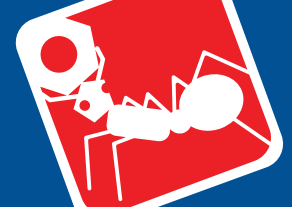
Hooked cam gives rotation of 360°. Suitable for push - pull type cabinet doors.

Tips

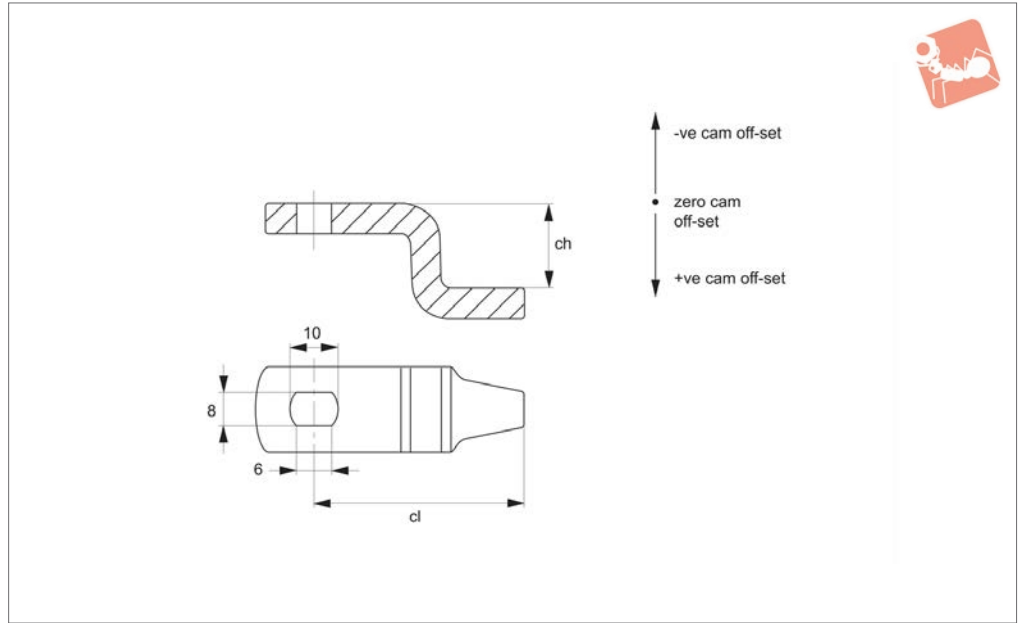
Reversing the cam gives both clockwise and anticlockwise hooking action.

Order No.	Type	Rotation radius	ts
A0224.AW0010	One	28	4
A0224.AW0020	Two	23	4





A0231



Material

Steel, zinc plated.

Technical Notes

Use formula to calculate ch (required cam off-set), and select from product table below;

$ch = h - lh$ where;

ch = required cam off-set/height.

h = grip length (distance between inside of

latch face and front of cam).

lh = body length of cam latch/lock to be used (see individual latch/lock product table).

Refer to installation drawing below.

Important Notes

Suitable for adjustable grip compression cam latches A1603, A1611, A1630, A1810.

See cam selection chart for specific

latch/lock suitability.

Installation hole is rectangular 6mmx4mm.

Please note due to design of the single point cam, it is not possible to use +ve offset cam in reverse/upside down as it results in a clash with the body of the cam latch- making it inoperable.

Order No.	ch	cl	Where lh = 32
A0231.AW0300	0	33	32
A0231.AW0314	14	33	46
A0231.AW0327	27	33	59
A0231.AW0305	5	33	37
A0231.AW0308	8	33	40
A0231.AW0310	10	33	42
A0231.AW0312	12	33	44
A0231.AW0316	16	33	48
A0231.AW0318	18	33	50
A0231.AW0322	22	33	54
A0231.AW0324	24	33	56
A0231.AW0328	28	33	60
A0231.AW0330	30	33	62
A0231.AW1304	-4	33	28
A0231.AW1308	-7	33	25
A0231.AW1314	-14	33	18
A0231.AW1316	-16	33	16
A0231.AW1318	-18	33	14
A0231.AW1410	-10	45	22
A0231.AW0400	0	45	32
A0231.AW0405	5	45	37
A0231.AW0408	8	45	40
A0231.AW0418	18	45	50

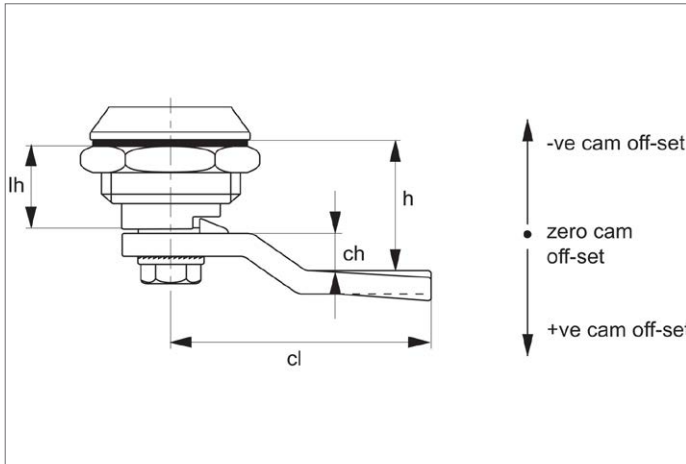


Single Point Cams - Steel

for adjustable grip compression cam latches



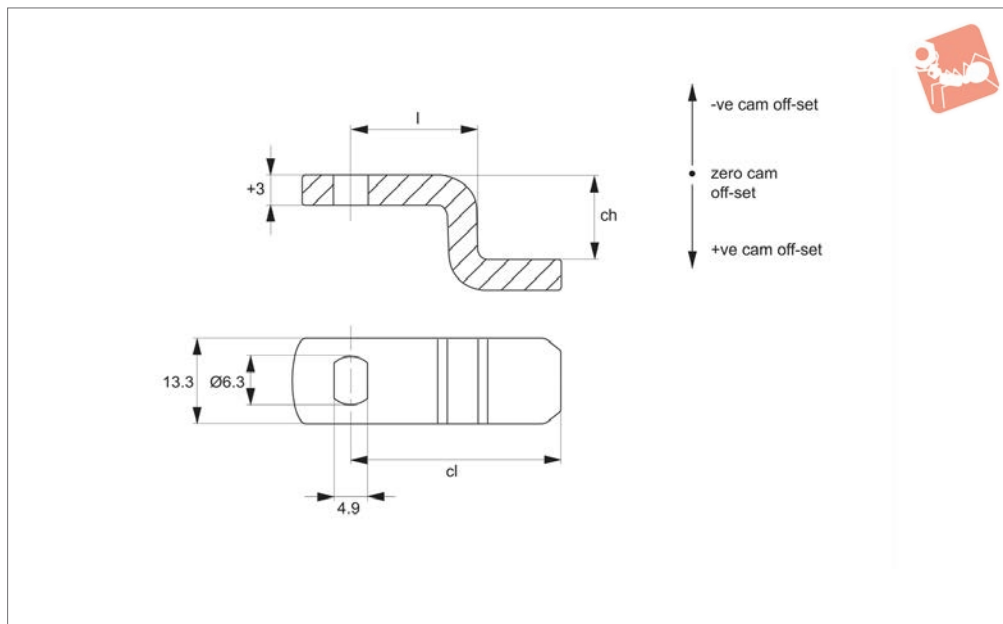
Cam Latch Accessories



CAM LATCH ACCESSORIES



A0234



Material

Steel, zinc plated.

Technical Notes

Use formula to calculate ch (required cam off-set), and select from product table below;

$ch = h - lh$ where;

ch = required cam off-set/height.

h = grip length (distance between inside of

latch face and front of cam).

lh = body length of cam latch/lock to be used (see individual latch/lock product table).

Refer to installation drawing above.

Important Notes

Suitable for adjustable grip mini compression cam latches A1660 and A1666. See cam selection chart for specific latch/

lock suitability.

Sold subject to pack quantity.

Installation hole is rectangular 6mmx4mm.

Please note due to design of the single point cam, it is not possible to use +ve offset cam in reverse/upside down as it results in a clash with the body of the cam latch- making it inoperable.

Order No.	Type	ch	cl	l	ts	Where lh = 22,5 min. h =
A0234.AW0300	+ve offset	0	23	10	2.8	22.5
A0234.AW0301	+ve offset	1	23	10	2.8	23.5
A0234.AW0303	+ve offset	4	23	10	2.8	26.5
A0234.AW0307	+ve offset	7	23	10	2.8	29.5
A0234.AW0310	+ve offset	10	23	10	2.8	32.5
A0234.AW0313	+ve offset	13	23	10	2.8	35.5
A0234.AW0316	+ve offset	16	23	10	2.8	38.5
A0234.AW0320	+ve offset	20	23	10	2.8	42.5
A0234.AW0323	+ve offset	23	23	10	2.8	45.5
A0234.AW6304	-ve offset	-4	23	11	2.8	18.5
A0234.AW6308	-ve offset	-8	23	11	2.8	14.5
A0234.AW6312	-ve offset	-12	23	11	2.8	10.5
A0234.AW6316	-ve offset	-16	23	11	2.8	6.5
A0234.AW6323	-ve offset	-23	23	11	2.8	0.0
A0234.AW6302	-ve offset	-2	23	11	3	20.5
A0234.AW6306	-ve offset	-6	23	11	3	16.5
A0234.AW6314	-ve offset	-14	23	11	3	8.5
A0234.AW6320	-ve offset	-20	23	11	3	2.5
A0234.AW6324	-ve offset	-24	23	11	3	-1.5

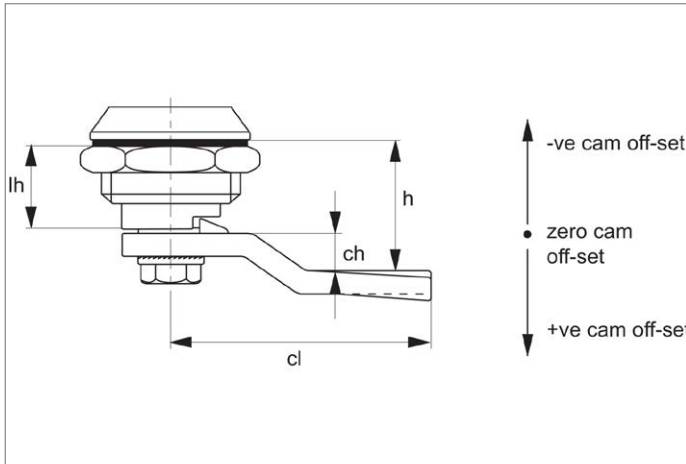


Single Point Cams - Steel

for adjustable grip mini compression cam latches -



Cam Latch Accessories



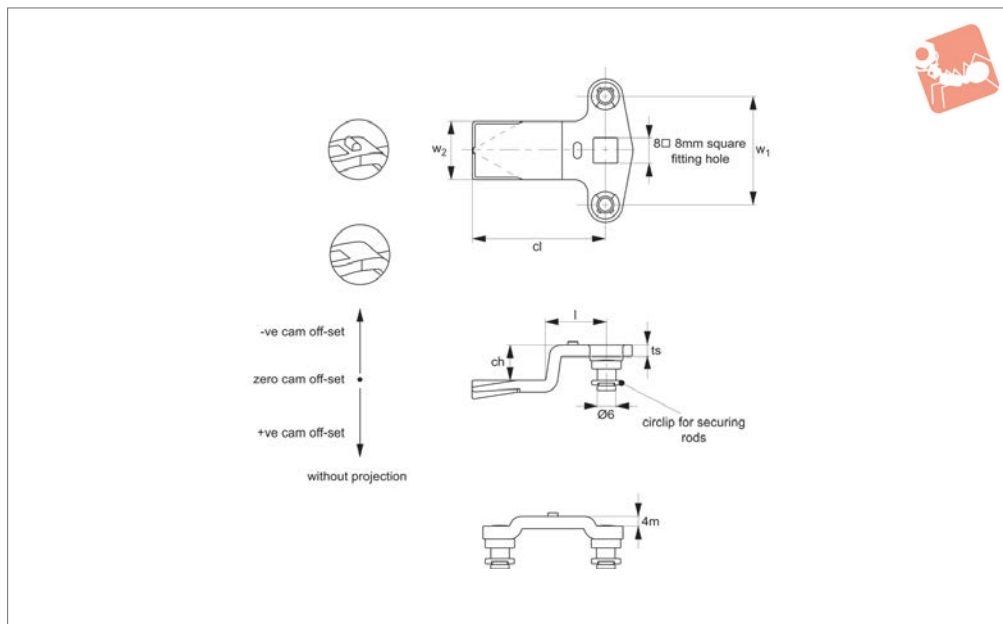
CAM LATCH ACCESSORIES



CAM LATCH ACCESSORIES



A0240



Material

Steel, zinc plated.
Size: 8 x 8 Sq.

Technical Notes

Use formula to calculate ch (required cam off-set), and select from product table below;

$ch = h - lh$ where;

ch = required cam off-set/height.

h = grip length (distance between inside of latch face and front of cam).

lh = body length of cam latch/lock to be used (see individual latch/lock product table).

Important Notes

Suitable for Flexi-System latches. „With projection“ type ensures correct location and prevents cam rotating over 45°. **See cam selection chart for specific latch/lock suitability.**

Sold subject to pack quantity.

Order No.	Type	ch	cl	l	ts	w ₁	w ₂
A0240.AW0000	With Projection	0	45	20	4	36	20
A0240.AW0004	With Projection	4	45	20	4	36	20
A0240.AW0008	With Projection	8	45	20	4	36	20
A0240.AW0010	With Projection	10	45	20	4	36	20
A0240.AW0012	With Projection	12	45	20	4	36	20
A0240.AW0014	With Projection	14	45	20	4	36	20
A0240.AW0016	With Projection	16	45	20	4	36	20
A0240.AW0020	With Projection	20	45	20	4	36	20
A0240.AW0022	With Projection	22	45	20	4	36	20
A0240.AW0100	W/o Projection	0	45	20	4	36	20
A0240.AW0104	W/o Projection	4	45	20	4	36	20
A0240.AW0108	W/o Projection	8	45	20	4	36	20
A0240.AW0110	W/o Projection	10	45	20	4	36	20
A0240.AW0120	W/o Projection	12	45	20	4	36	20
A0240.AW0140	W/o Projection	14	45	20	4	36	20
A0240.AW0160	W/o Projection	16	45	20	4	36	20
A0240.AW0200	W/o Projection	20	45	20	4	36	20
A0240.AW0220	W/o Projection	22	45	20	4	36	20

Order No.	Where lh = 18	Where lh = 18,5	Where lh = 20	Where lh = 25	Where lh = 30	Where lh = 40	Where lh = 50	Where lh = 60
	h =	h =	h =	h =	h =	h =	h =	h =
A0240.AW0000	18	18.5	20	25	30	40	50	60
A0240.AW0004	22	22.5	24	29	34	44	54	64
A0240.AW0008	26	26.5	28	33	38	48	58	68
A0240.AW0010	28	28.5	30	35	40	50	60	70
A0240.AW0012	30	30.5	32	37	42	52	62	72
A0240.AW0014	32	32.5	34	39	44	54	64	74
A0240.AW0016	34	34.5	36	41	46	56	66	76
A0240.AW0020	38	38.5	40	45	50	60	70	80
A0240.AW0022	40	40.5	42	47	52	62	72	82



Two Point Cams - Flexi-System

for 3-point latching of cam latches and locks - zinc



Order No.	Where lh = 18	Where lh = 18,5	Where lh = 20	Where lh = 25	Where lh = 30	Where lh = 40	Where lh = 50	Where lh = 60
	h =	h =	h =	h =	h =	h =	h =	h =
A0240.AW0100	18	18,5	20	25	30	40	50	60
A0240.AW0104	22	22,5	24	29	34	44	54	64
A0240.AW0108	26	26,5	28	33	38	48	58	68
A0240.AW0110	28	28,5	30	35	40	50	60	70
A0240.AW0120	30	30,5	32	37	42	52	62	72
A0240.AW0140	32	32,5	34	39	44	54	64	74
A0240.AW0160	34	34,5	36	41	46	56	66	76
A0240.AW0200	38	38,5	40	45	50	60	70	80
A0240.AW0220	40	40,5	42	47	52	62	72	82

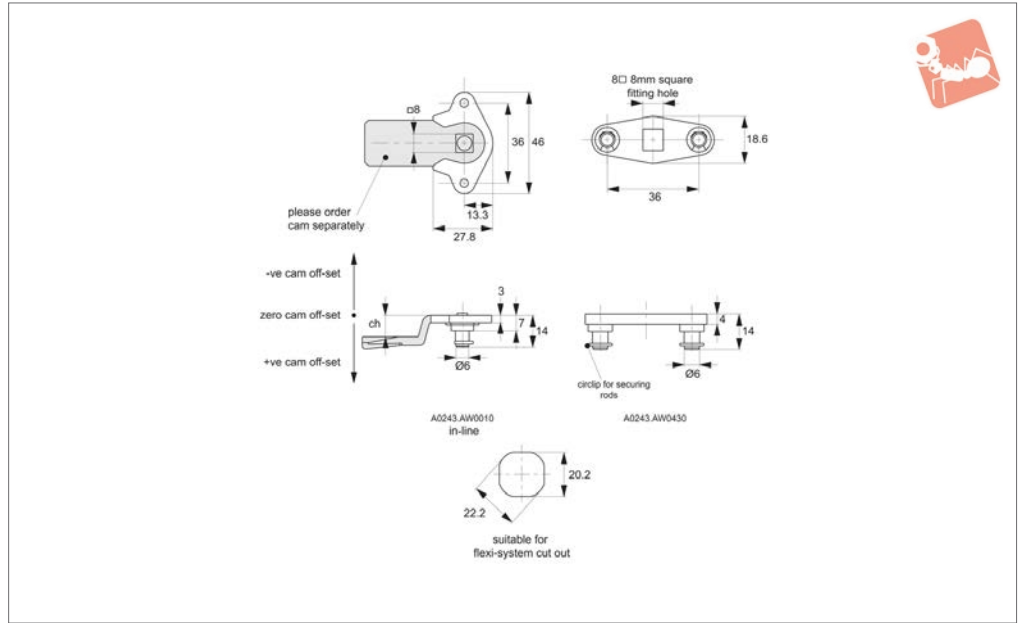
CAM LATCH ACCESSORIES



CAM LATCH ACCESSORIES



A0243



Material

Steel, zinc plated.

Technical Notes

Two point locking adaptor for use with our round rod latching system on cam latches and swing handles, to achieve a comprehensive latching system for tall cabinets

and enclosures.

Tips

Use formula to calculate ch (required cam off-set), and refer to cam chart;

$$ch = h - lh \text{ where;}$$

ch = required cam off-set/ height.

h = grip length (distance between inside of

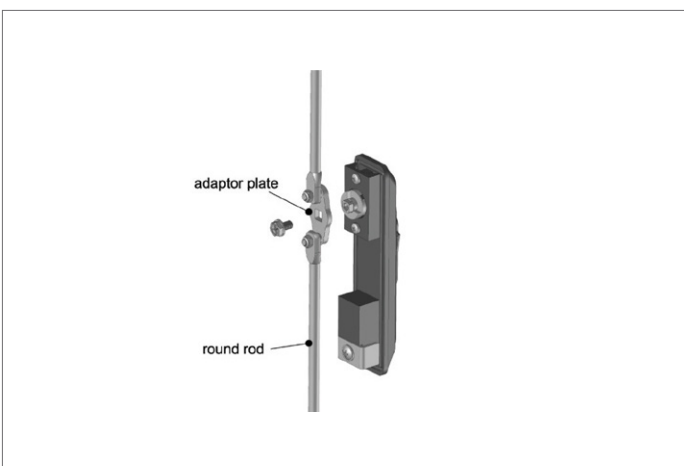
latch face and front of cam).

lh = body length of cam latch/lock to be used (see product table below).

Important Notes

Sold subject to pack quantity.

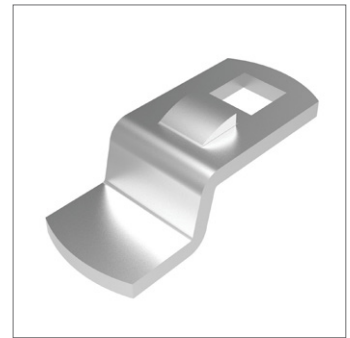
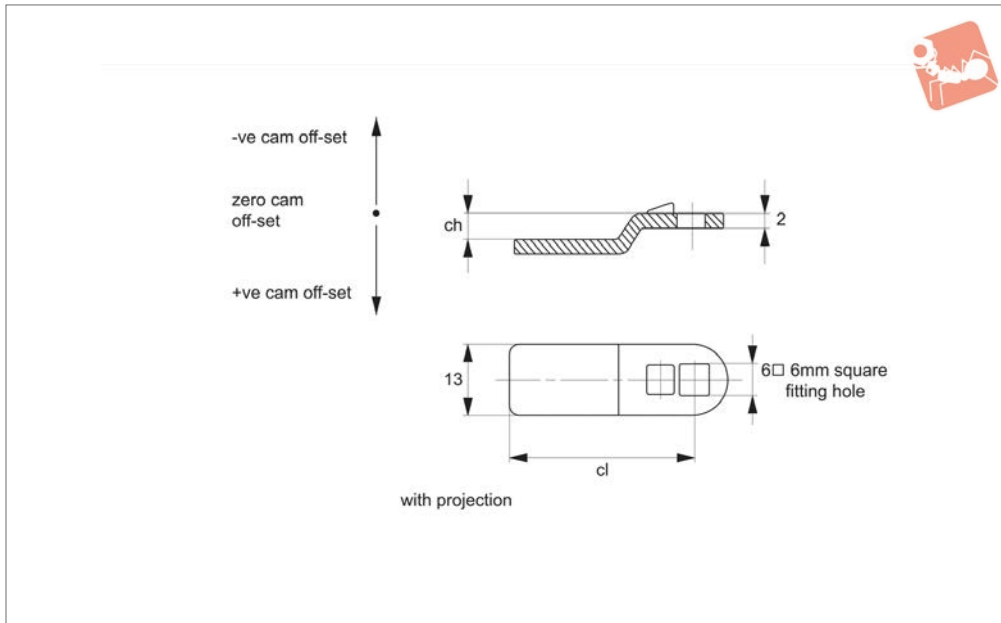
Order No.	Type	Application
A0243.AW0010	W/o projection	In-line Multi-Point Locking Adaptor
A0243.AW0430	W/o projection	Two Point Locking Adaptor





Single Point Cams - 6 x 6 Sq. for cam latches A1261, A1281 and A2390

Cam Latch Accessories



A0261

CAM LATCH ACCESSORIES

Material

Steel, zinc plated.

Technical Notes

Use formula to calculate ch (required cam off-set), and select from product table below;

$ch = h - lh$ where;

ch = required cam off-set/height.

h = grip length (distance between inside of latch face and front of cam).

lh = body length of cam latch/lock to be used (see individual latch/lock product table).

Refer to installation drawing below.

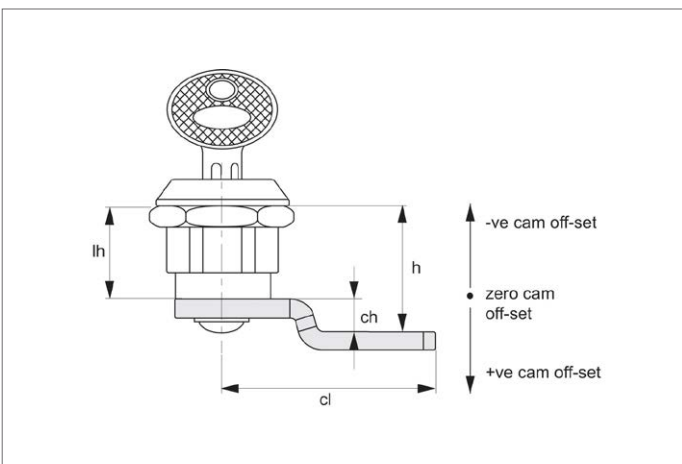
Important Notes

With projection type ensures correct location and prevents cam rotating over 45°.

See cam selection chart for specific latch/lock suitability.

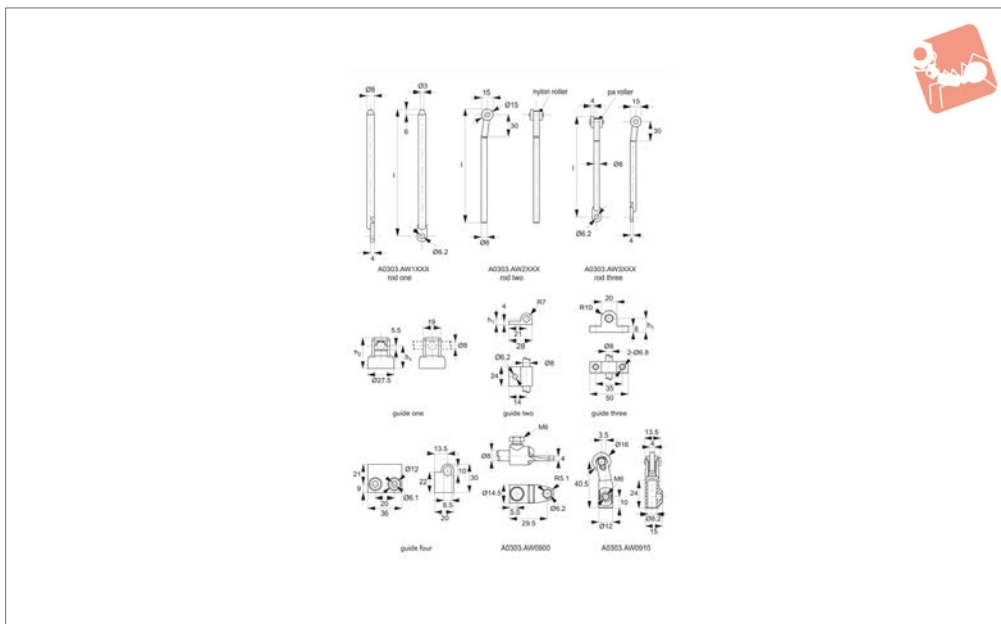
Sold subject to pack quantity.

Order No.	ch	cl	Where lh = 18	Where lh = 18,5	Where lh = 20	Where lh = 25	Where lh = 30	Where lh = 40	Where lh = 50	Where lh = 60
			h =	h =	h =	h =	h =	h =	h =	h =
A0261.AW0200	0	25	18	18.5	20	25	30	40	50	60
A0261.AW0206	6	25	24	24.5	26	31	36	46	56	66
A0261.AW0296	-6	25	12	12.5	14	19	24	34	44	54
A0261.AW0307	7	30	25	25.5	27	32	37	47	57	67





A0303



Material

Rod: steel, zinc plated. With Nylon or PA6 rollers.

Rod Guides One to Four: polyamide, PA6.

Rod Adaptor and Roller Adaptor: die cast zinc, zinc plated.

Technical Notes

For use with cam latches & locks, making a

full 3-point latching system.

Distance between base of rod and inside of door depends upon height of rod guide selected, see dimension h_1 .

Rod guides: fixed via counter sunk screw or weld-on stud.

Rod adaptor: fits to any length of rod. If rod of different length is required, simply

cut oversized length with a saw.

Cams: see two point cams A0240 to achieve 3-point locking.

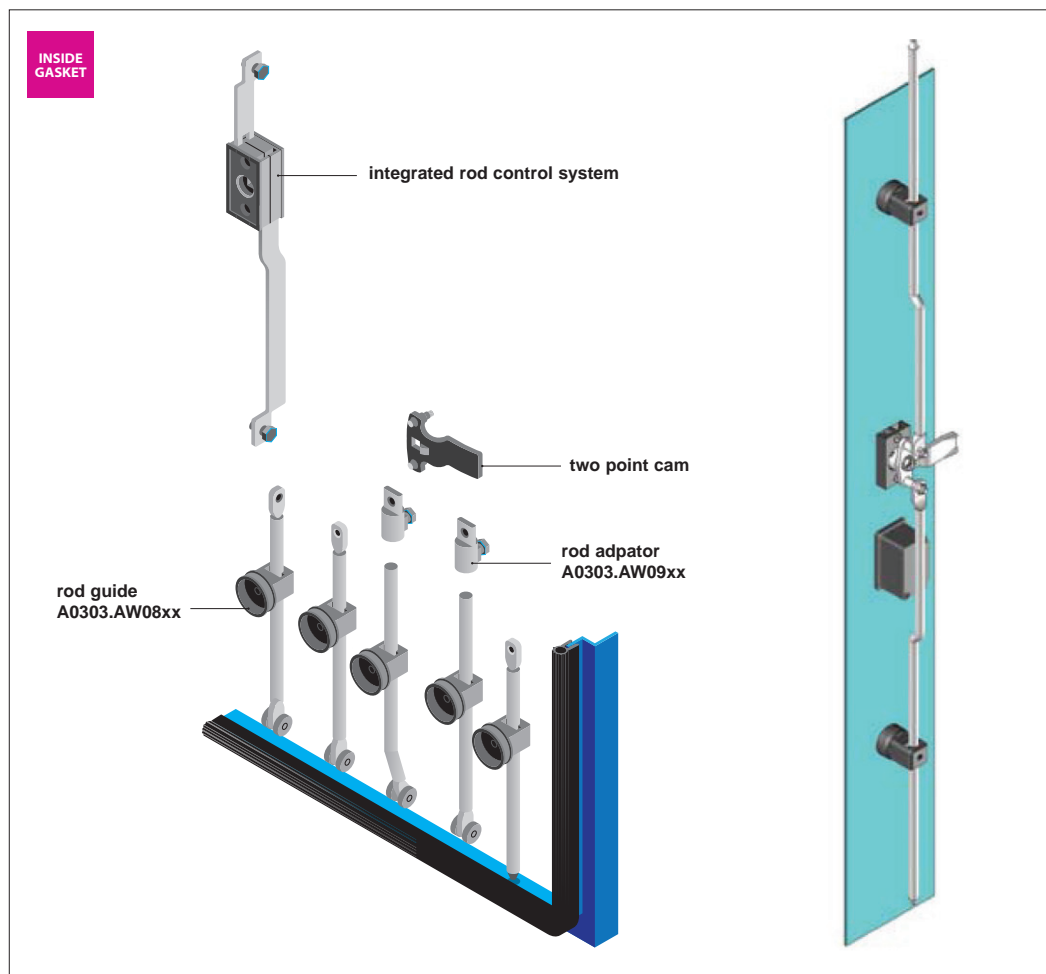
Important Notes

Please order rods, rod guides and rod adaptors separately.



Order No.	Type	Length l	h_1	h_2	Weld screw
A0303.AW0861	Guide One	-	24	32	M 6 x 16
A0303.AW0862	Guide One	-	30	38	M 6 x 20
A0303.AW0863	Guide One	-	34	42	M 6 x 20
A0303.AW0881	Guide Two	-	7	-	-
A0303.AW0882	Guide Three	-	18	-	-
A0303.AW0883	Guide Four	-	22	-	-
A0303.AW0900	Rod Adaptor	-	-	-	-
A0303.AW0910	Roller Adaptor	-	-	-	-
A0303.AW1060	Rod One	600	-	-	-
A0303.AW1080	Rod One	800	-	-	-
A0303.AW1100	Rod One	1000	-	-	-
A0303.AW2060	Rod Two	600	-	-	-
A0303.AW2080	Rod Two	800	-	-	-
A0303.AW2100	Rod Two	1000	-	-	-
A0303.AW3060	Rod Three	600	-	-	-
A0303.AW3080	Rod Three	800	-	-	-
A0303.AW3100	Rod Three	1000	-	-	-



Applications inside the gasket



CAM LATCH ACCESSORIES

Round rod type	Rod one .AW1xxx	Rod two .AW2xxx	Rod three .AW3xxx
Part no. A0303 compatible with:			
Two point cam (A0240)	✓	✓	✓
Integrated rod control systems	✓	✗	✗
Required accessories:			
Rod guide A0303.AW08xx 	✓	✓	✓
Rod adaptor A0303.AW0900 	✗	✓	✗
Roller adaptor A0303.AW0910	✓	✗	✗

Round rod and accessories compatibility

Note: Use of rod guide is essential for all applications.

To suit a single enclosure door, where h1 (height between base of rod and inside of door) = 24mm.

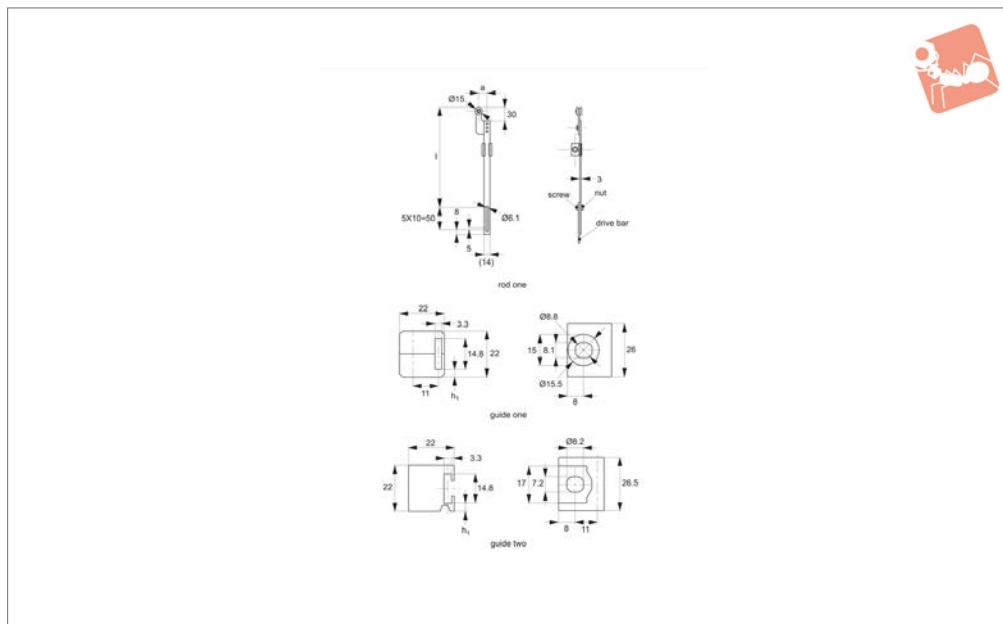
- 1 x A0303.AW2100 - round rod (pkt of 2).
- 1 x A0303.AW0861 - rod guide (pkt of 2), h1 = 24mm.
- 1 x A0303.AW0900 - rod adaptor (pkt of 2).

Ordering example for complete rod set

ov-WA0303-A-TCC0340-multi-point-latching-set-rmh- Updated -26-10-2022



A0321



Material

Rod: steel, zinc plated. With nylon or PA6 rollers.

Rod guides One and Two: polyamide, PA6.

Technical Notes

For use with cam latches & locks, making a

full 3-point latching system. Distance between base of rod and inside of door depends upon height of rod guide selected, see dimension h_1 .

Rod guides: fixed via counter sunk screw or weld-on stud.

Cams: see two point cams A0240 to achieve 3-point locking.

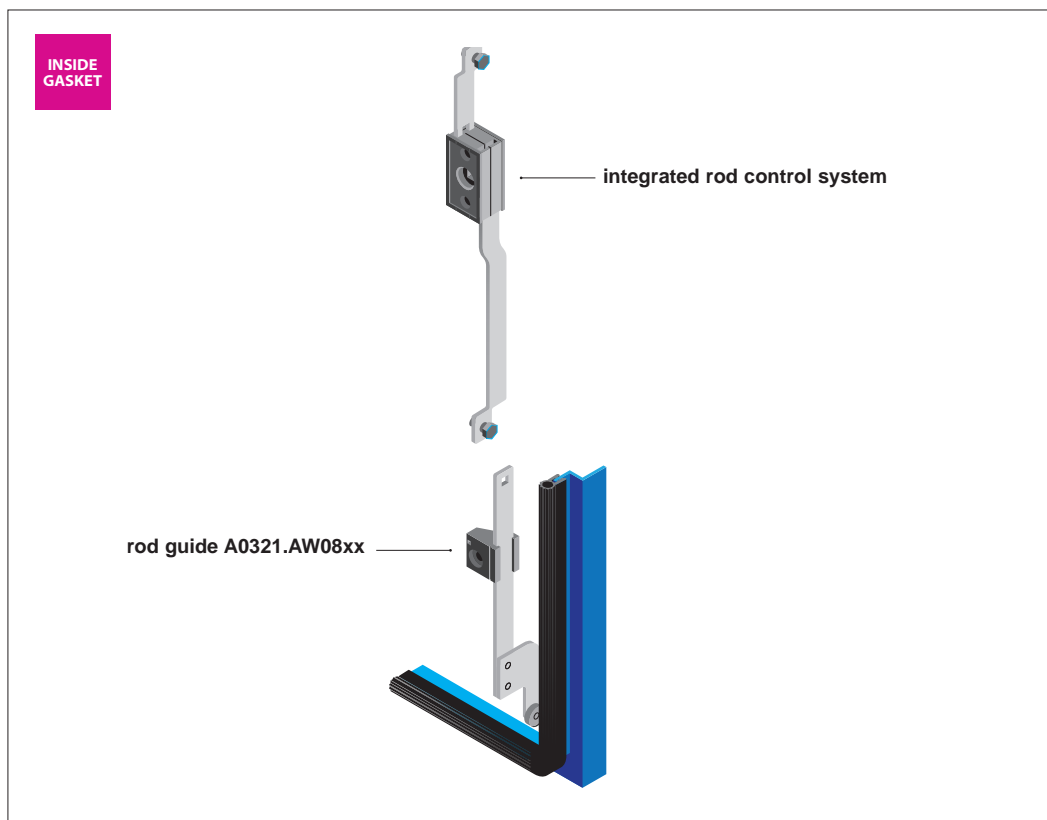
Important Notes

Please order rods and guides separately.

Order No.	Type	Length	a	h_1	Weld screw
A0321.AW1118	Rod One	1000	18.5	-	-
A0321.AW1122	Rod One	1000	22.5	-	-
A0321.AW1127	Rod One	1000	27.5	-	-
A0321.AW1135	Rod One	1000	35.0	-	-
A0321.AW0800	Guide One	-	-	3.6	M 6x16
A0321.AW0820	Guide Two	-	-	3.6	M 6x16



Applications inside the gasket



Round rod type	Rod one
Part no. A0321 compatible with:	.AW01xx
Two point cam (A0240)	✓
Integrated rod control systems	✓
Required accessories:	
Rod guide A0321.AW08xx	✓

Round rod and accessories compatibility

Note: Use of rod guide is essential for all applications.

To suit a single enclosure door, where h1 (height between base of rod and inside of door) = 3,6mm.
 1 x A0321.AW0118 - flat rod (pkt of 2).
 1 x A0321.AW0800 - rod guide (pkt of 2), h1 = 3,6mm.

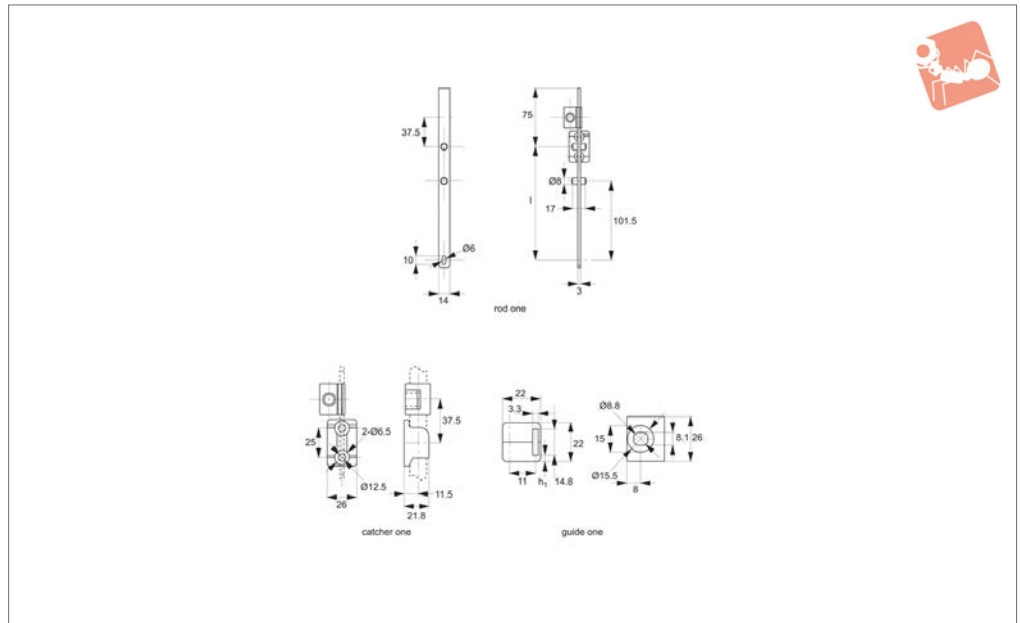
Ordering example for complete rod set

CAM LATCH ACCESSORIES

ov-WA0321-A-TCC0350-multi-point-latching-set-rmh- Updated -26-10-2022



A0325



Material

Rod: steel, zinc plated.
 Rod Guides One: polyamide, PA6.
 Rod Catcher: die cast zinc, black.

Technical Notes

For use with cam latches & locks, making a

full 3-point latching system. Distance between base of rod and inside of door depends upon height of rod guide selected, see dimension h_1 .

Rod guides: fixed via counter sunk screw or weld-on stud.

Cams: see two point cams A0240 to achieve 3-point locking.

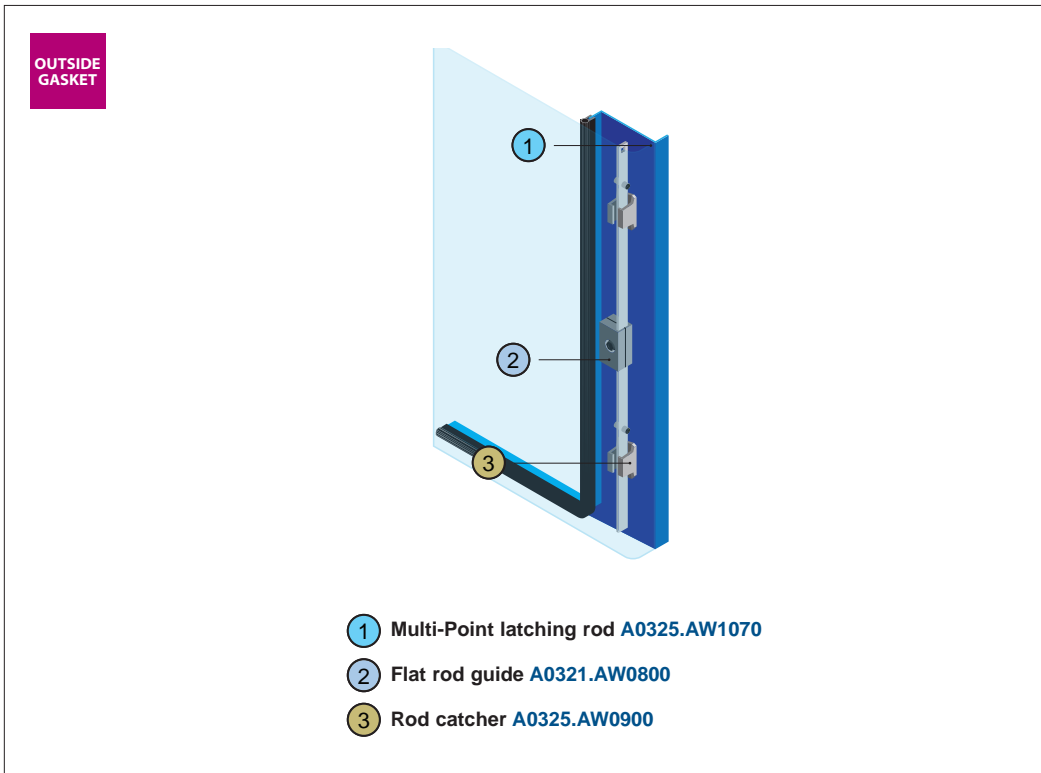
Important Notes



Please order rods, rod guides and rod catcher separately.

Order No.	Type	Length l	h_1
A0325.AW1070	Rod One	760	-
A0325.AW0800	Rod Guide	-	3.6
A0325.AW0900	Rod Catcher	-	-



Applications outside the gasket



Round rod type	Rod one
Part no. A0325 compatible with:	.AW01xx
Two point cam (A0240)	✓
Integrated rod control systems	✓
Required accessories:	
Rod guide A0325.AW0800 	✓
Rod catcher A0325.AW0900 	✓

Round rod and accessories compatibility

Note: Use of rod guide is essential for all applications.

To suit a single enclosure door, where h1 (height between base of rod and inside of door) = 3,6mm.
 1 x A0325.AW1070 - flat rod (pkt of 2).
 1 x A0325.AW0800 - rod guide (pkt of 2), h1 = 3,6mm.
 1 x A0325.AW0900 - rod catcher (pkt of 2).

Ordering example for complete rod set

CAM LATCH ACCESSORIES

ov-WA0325-A-TCC0355-multi-point-latching-set-rmh-Updated-26-10-2022



Many industrial cabinets are made of low gauge sheet metal. These often flex under their own weight and can be forced outward due to pressure from the cabinet's internal environment (i.e. air pressure). While a gasket or seal will improve performance, all round consistent sealing is often not achieved because only a single point locking latch is used - to achieve optimum all round sealing a multi-point latching system is required.

What is multi-point latching

For larger cabinets the use of Wixroyd rods and rod guides provide a multi-point latching system locking at two, three or more points on the cabinet - often these points are at the top, bottom and middle of the cabinet.

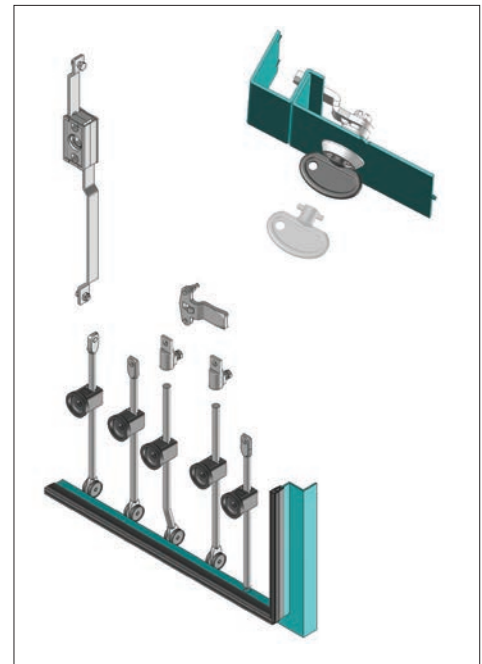
How does multi-point latching work?

With each multi-point latching system there will be an actuating cam latch, lock or swing handle - attached to these, inside of the cabinet, are a cam and two latching rods.

When the latch is actuated to close, the cam engages with the door frame to provide the first point of locking, while at the same time one of the latching rods moves upwards, while the other down and engages with the top and bottom of the cabinet frame respectively, to provide the second and third points of locking.

Multi-point latching systems can be installed both inside and outside of the cabinet gasket.

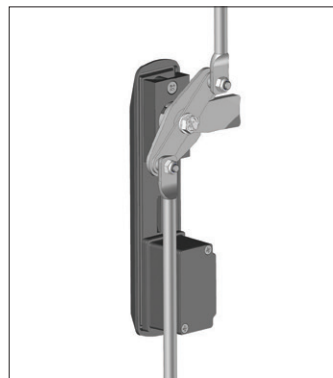
Wixroyd multi-point latching systems provide flexible options for locking at several points of a cabinet; increasing security, improving environmental control within a cabinet, and greater stability of tall cabinets.



Different approaches to multi-point latching



1. In conjunction with a standard cam latch, lock or swing handle, use a multi-point cam (A0240) and a latching rod set (A0303, A0321, A0325) to achieve three points of locking.



2. In conjunction with a standard cam latch, lock or swing handle, use a two point locking adaptor A0243 and a latching rod set (A0303, A0321, A0325) to achieve two points of locking.



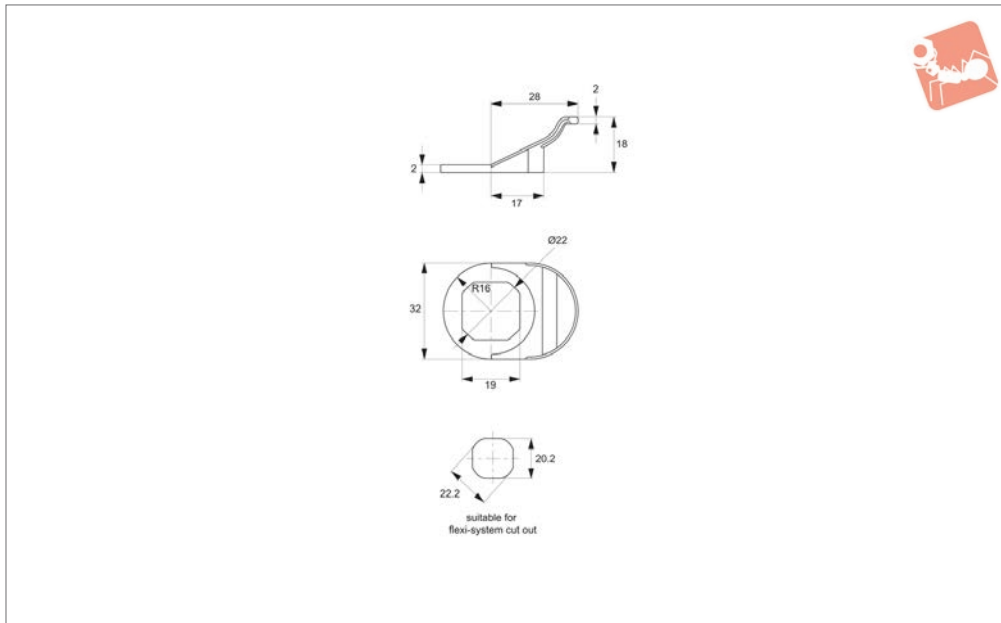
3. We have a range of swing handles and flush T-handle cam latches with integrated rod control systems. These integrated systems make attachment of latching rod sets far simpler and far more robust. Together they achieve three points of locking.



Finger Pulls

for flexi-system cam latches and locks

Cam Latch Accessories



A0352

CAM LATCH ACCESSORIES

Material

Body: polyamide DIN-EN ISO 1043-1 PA 6 GFR 30, black.

Technical Notes

Suitable for all Flexi-System latches with cut-out of 22,2 dia. / 20,2 square. Please

order cam latch/lock separately, see parts A1002 to A1252.

Tips

Note when finger pull used the cam latch useful body length ,lh' is reduced by 2mm. This is important in relation to

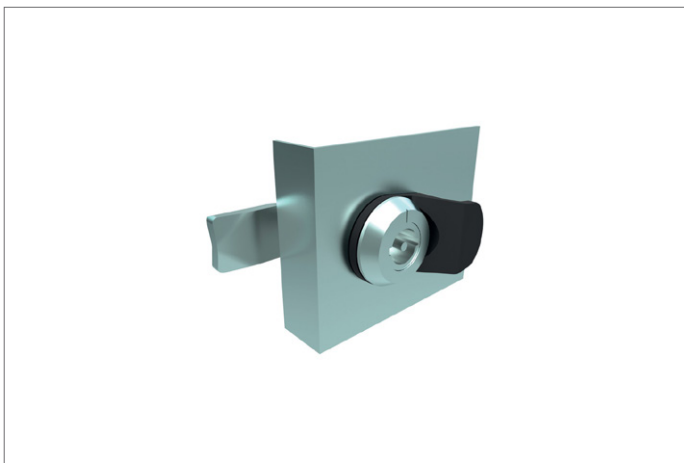
selection of suitable cam.

Important Notes

Sold subject to pack quantity.

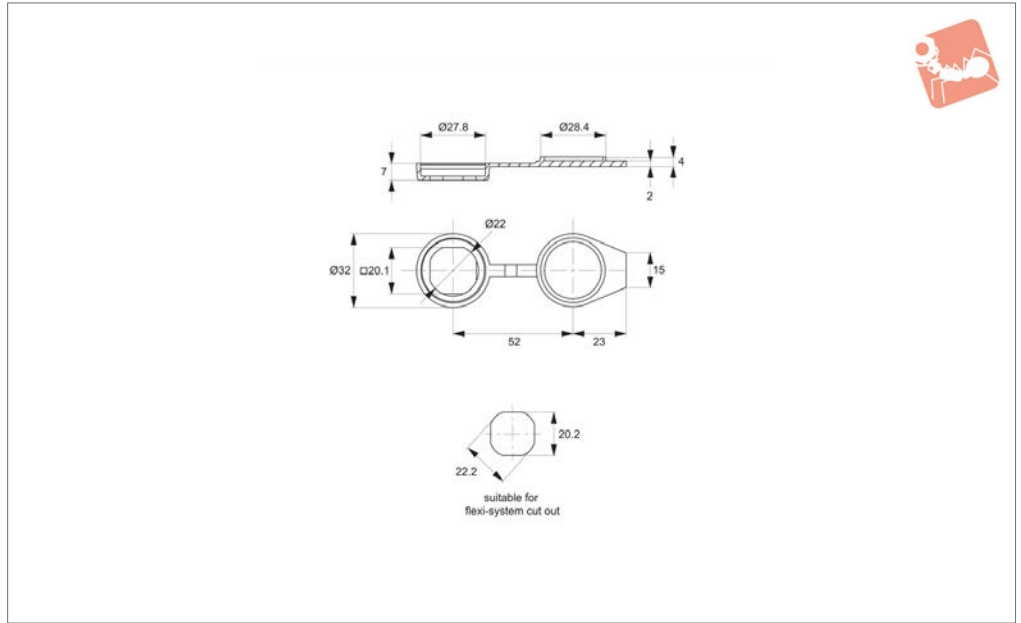
Order No.
A0352.AW0028

To suit flexi-system fastener
22,2 Dia Installation Cut Out





A0360



Material

Body: polyamide, black.

Technical Notes

Fits all Flexi-System cam latches & locks, and other fasteners with a standard instal-

lation cut out of 22,2 dia / 20,2 square.

Tips

Note when dust cap used the cam latch useful body length ,lh' is reduced by 2mm. This is important in relation to selection of

suitable cam.

Important Notes

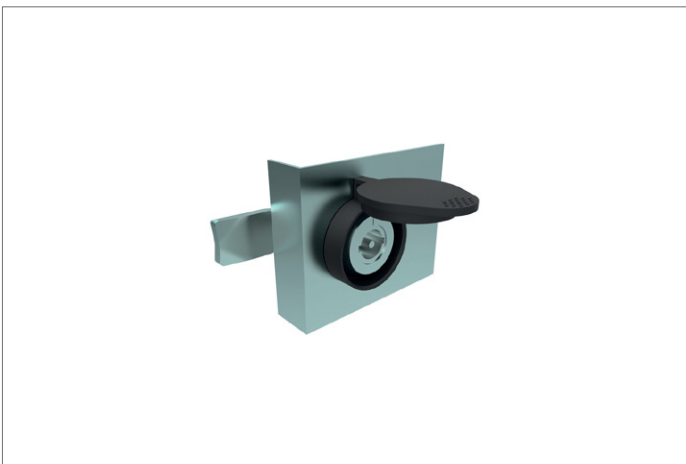
Sold subject to pack quantity.

Order No.

A0360.AW0010

Type

Polyamide

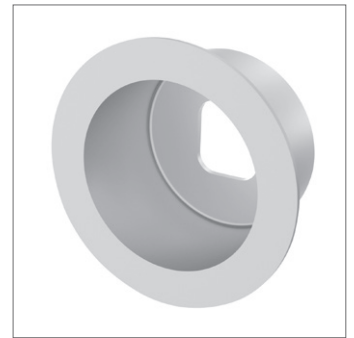
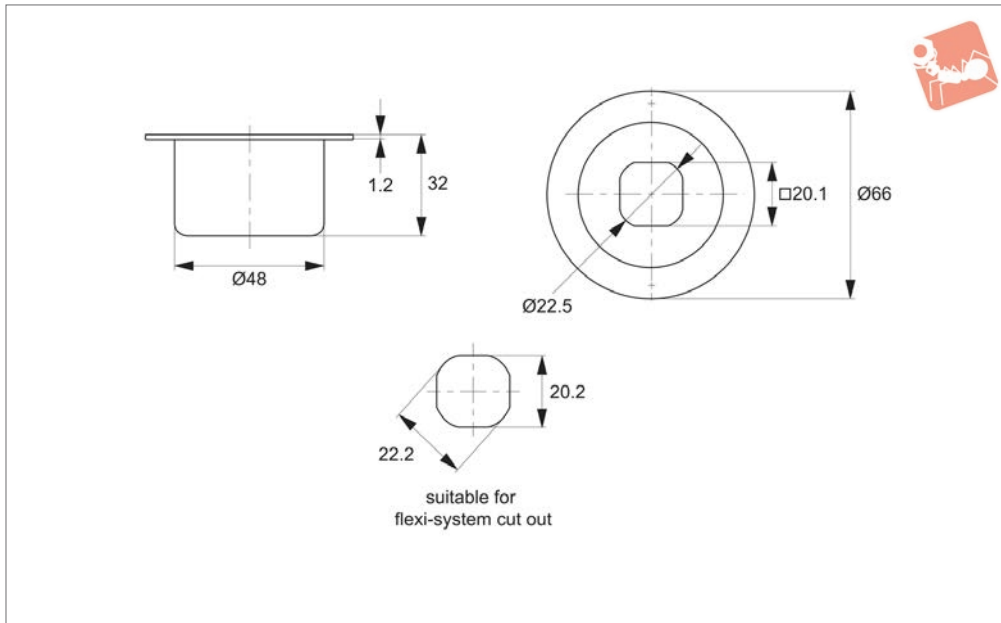




Recessed Spacer - for Isolation Panels

for flexi-system cam latches and locks - steel

Cam Latch Accessories



A0420

CAM LATCH ACCESSORIES

Material

Body: steel, zinc plated.

Technical Notes

For use on isolation panels and other thick doors, enables near flush fitting of cam

latch or lock through recessed fixing of the cam body.

Tips

Suitable for all our Flexi-System cam latches and locks with a 22,2 dia. installa-

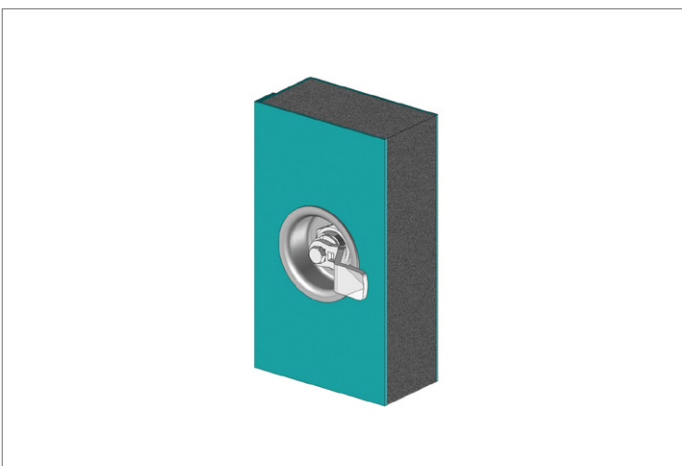
tion cut out. Especially suited to our extended body latch no. A1250.

Important Notes

Sold subject to pack quantity.

Order No.
A0420.AW0022

To suit flexi-system latch
22,2 Dia. Installation Cut Out

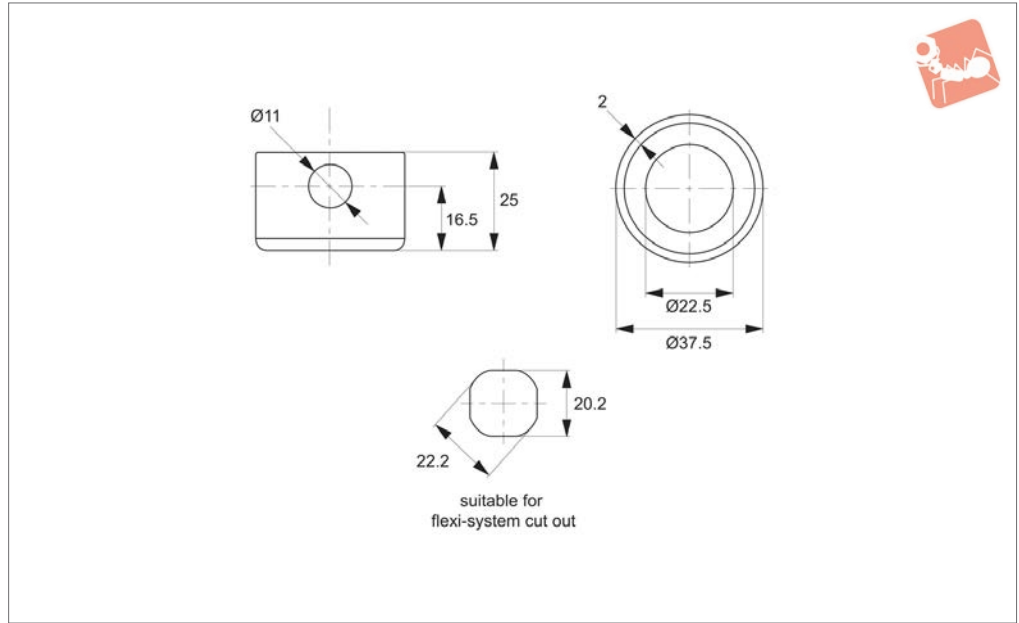




CAM LATCH ACCESSORIES



A0440



Material

Steel, black coated or stainless AISI 304.

Technical Notes

Prevents access to the fastener. Can be locked with a suitable padlock (max shackle

dia. 11mm). Alternatively use 2 fasteners and a steel bar to prevent actuation of lock.

Tips

For use with flexi-system cut out. Installs

under the latch. Note when converter used the cam latch useful body length „lh“ is reduced by 2mm. This is important in relation to selection of suitable cam.

Order No.

- A0440.AW0010
- A0440.AW0020

Material

- Steel - Black Coated
- Stainless Steel





Selecting the Correct Cam Latch or Lock

A1004 - A4260

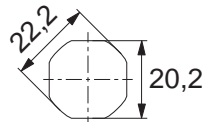
Cam Latches and Locks

When selecting a Wixroyd Cam Latch for your application, you need to answer these questions:

- 1. Which installation cut out?
- 2. Which body style?
- 3. Which locking key?
- 4. Which accessories?
- 5. Which cam type and size?

Cut out

All our Flexi-System cam latches use a standard installation cut out 22,2 dia, 20,2 square, for maximum flexibility. We also provide a number of alternative cut out dimensions for legacy/historical installations.



flexi-system cut out

Step 1:
Which installation cut out?

Material and finish

Select from our variety of die cast zinc, polyamide plastic and stainless versions.



Die-cast zinc chrome plate

Die-cast zinc black coated

Polyamide black

Stainless steel

Number of latching points in application

Typically single point latching is required, but the Wixroyd Flexi-System also provides multi-point latching (typically 3 point - at lock point, top and bottom of cabinet).



Single point

Two point

Multi-point

Step 2:
Which body style?

Actuation and locking method

Standard insert driver type, cylinder lock or wing handle type.



Insert driver

Cylinder lock

Wing handle

Standard insert driver keys

Our range of insert driver cam latches require a simple key to actuate. Refer to part A0102 and A0103 for correct keys.



Cylinder locking

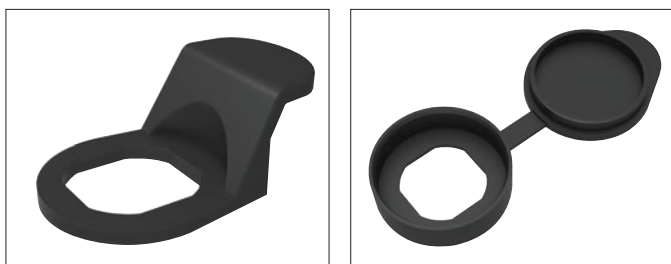
Our cam locks with cylinder locks are supplied with two keys per lock. Available as keyed alike or keyed to differ locks.



Step 3:
Which locking key?

- Multi-point latching: use our rod set A0303 to A0325 for suitable rods and rod guides.
- Finger pulls: easily installed with any of our flexi-system cam bodies, finger pull no. A0352 is a simple, cost effective handle for your cabinets.
- Dust Cap: to reduce material ingress.

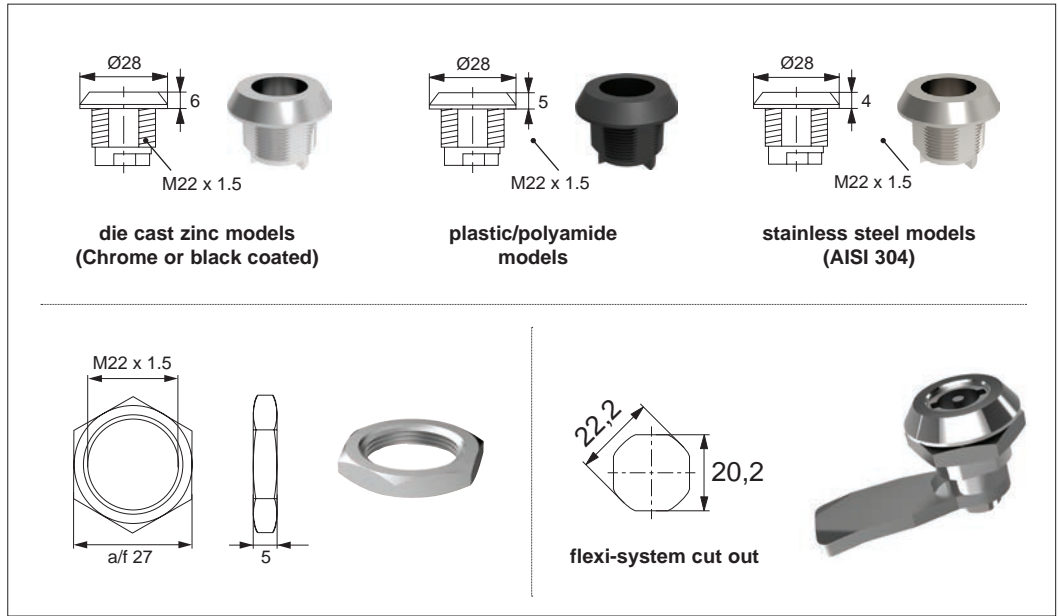
Step 4:
Which accessories?





Dimensions of our cam latch housings

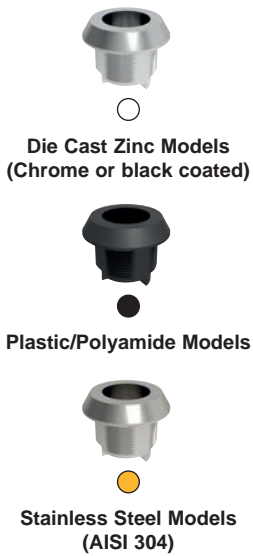
Dimensions apply to our standard range of flexi-system cam latches.



CAM LATCH ACCESSORIES

Available insert drivers for flexi-system latches

Available materials



3mm double bit	4mm double bit	6mm square	7mm square	8mm square
<input checked="" type="checkbox"/> <input type="checkbox"/> <input type="checkbox"/> <input type="checkbox"/>	<input checked="" type="checkbox"/> <input type="checkbox"/> <input type="checkbox"/> <input type="checkbox"/>	<input type="checkbox"/>	<input checked="" type="checkbox"/> <input type="checkbox"/> <input type="checkbox"/>	<input checked="" type="checkbox"/> <input type="checkbox"/> <input type="checkbox"/> <input type="checkbox"/>
7mm triangle	8mm triangle	9mm triangle	Slotted	Square 8mm with slot
<input checked="" type="checkbox"/> <input type="checkbox"/> <input type="checkbox"/> <input type="checkbox"/>	<input checked="" type="checkbox"/> <input type="checkbox"/> <input type="checkbox"/> <input type="checkbox"/>	<input checked="" type="checkbox"/> <input type="checkbox"/>	<input checked="" type="checkbox"/> <input type="checkbox"/> <input type="checkbox"/>	<input checked="" type="checkbox"/> <input type="checkbox"/>
10mm hex	8mm hex	8mm hex security pin	13mm eastern european	Tubular
<input checked="" type="checkbox"/> <input type="checkbox"/>	<input checked="" type="checkbox"/> <input type="checkbox"/>	<input checked="" type="checkbox"/> <input type="checkbox"/>	<input checked="" type="checkbox"/> <input type="checkbox"/>	<input checked="" type="checkbox"/> <input type="checkbox"/>

✓ Available as part of our standard range

✗ Available subject to a minimum order quantity



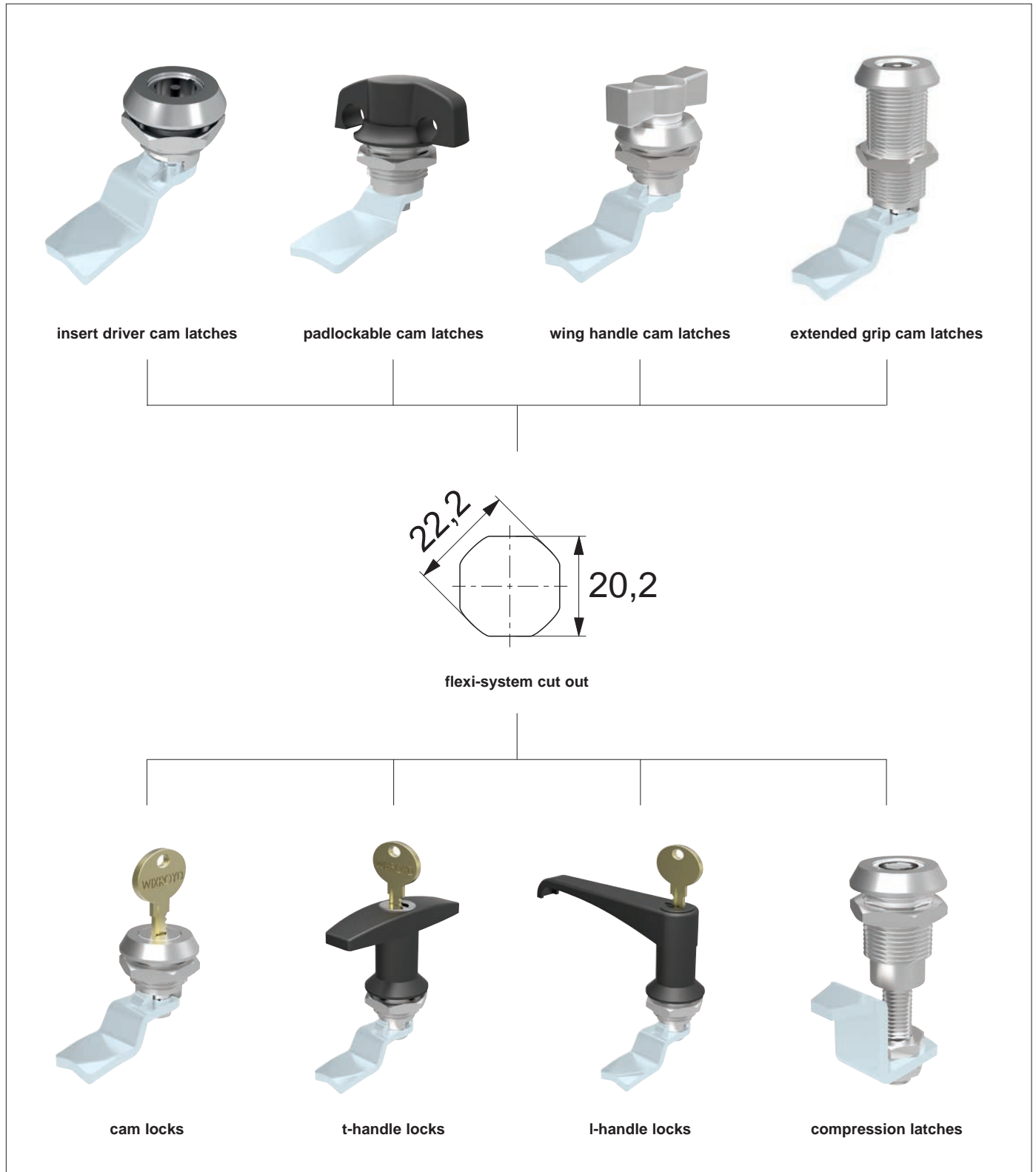
Flexi-System

at the core of all your cam latch requirements



All our cam latches use a standard cut out dimension of 22,2 Ø and 20,2 square which accommodates many industry standards. Flexi-System parts are fully interchangeable, providing a completely flexible hardware system including two or three point latching systems.

Flexi-system



CAM LATCH ACCESSORIES

ov-WA1003-A-TCC0400-WA2503-A-TCC2200-flexi-system-cam-latch-requirements-rnh- Updated -26-10-2022



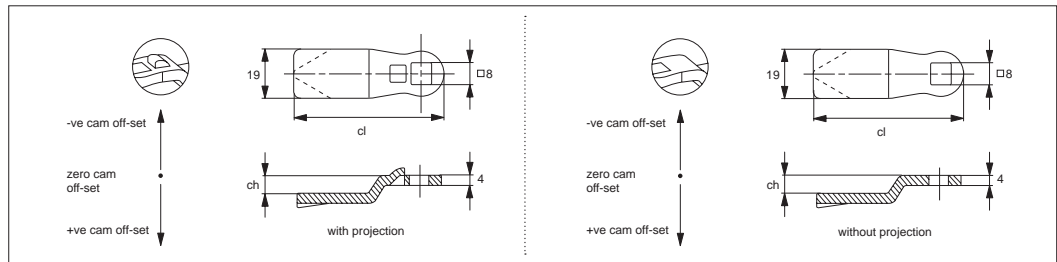
With or without "Projection"

Different cam bodies require cams either with or without projection.

Step 5:

Which cam type and size?

Wixroyd cams are available in a number of different materials; zinc plated steel, stainless steel (AISI 304) and black plastic.



With projection cams prevent turning of the cam over 45° , but is not suited to all cam bodies. For correct projection type please see individual cam body technical pages.

Number of Latching Points

Single point cams are suitable where just single point latching is required. Multi-point cams are for applications requiring 2 or 3 latching points.

Calculation of correct cam off-set

This is the most important aspect of the selection process.

Cam off-set (dimension ch)

To ensure your cam fully and correctly engages with the frame of your door the correct cam off-set must be selected. A cam off-set can be either negative (-ve) or positive (+ve).

Cam length (dimension cl)

This impacts the reach of the cam to door frame and hence impacts positioning of cam body for installation. Cam length is measured from the centre of the cam fixing hole to the cam's leading edge. Most typically cams are 45 mm in length.

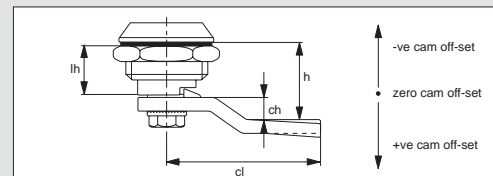
Use formula to calculate ch (required cam off-set), and refer to the cam selection chart.

$$ch = h - lh \text{ where;}$$

ch = the required cam off-set/height

h = grip length (distance between inside of latch face and front of cam).

lh = body length of cam latch/lock to be used (see example below)



Example of calculation of correct cam off-set

Example one

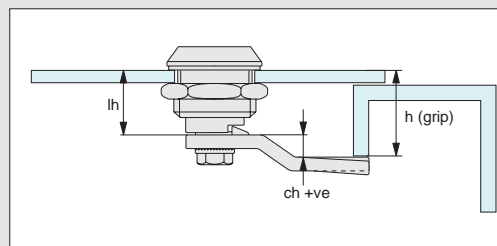
Cam body A1003.AW0010 has been selected for the application. If we refer to the data sheet for this part, suitable cams are parts A0203, A0210 or A0240 - "without projection".

Known application information: $h = 26$ $lh = 18$

Therefore; $ch = 26 - 18 = +8$

Cam off set of +8 is required

Using the data tables for cams A0203, A0210, and A0240 we can select the following cams without projection with an off set of +8; A0203.AW5408 (steel), A0210.AW0428 (stainless) or A0240.AW0108 (three point cam).



Example two

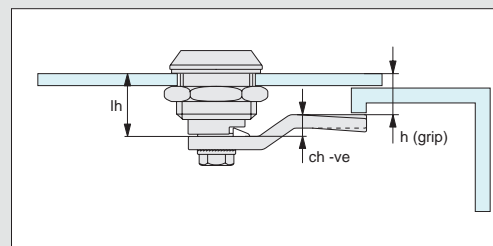
Cam body A1003.AW0010 has been selected for the application. If we refer to the data sheet for this part, suitable cams are parts A0203, A0210 or A0240 - "without projection".

Known application information: $h = 14$ $lh = 18$

Therefore; $ch = 14 - 18 = -4$

The required cam off set is negative, -4 as the application's door frame is effectively shorter/lower than the length of the cam body

Using the data tables for cams A0203, A0210 and A0240 we can select the following cam without projection with an off set of -4; A0203.AW6404 (steel).





Wixroyd Cam Latches, Locks and Swing Handles

cam selection chart



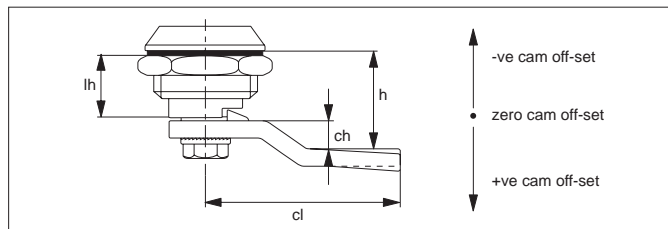
CAM LATCH ACCESSORIES

Suitable With Projection Cams				
Compatible cam no.	A0261	A0203	A0210	A0240
Cam fitting hole	6 x 6 square 	8 x 8 square 	8 x 8 square 	8 x 8 square
Cam latch / lock no.	A1261 / A1281 / A2390	A2503 / A2504 A2523 / A2528	A2503 / A2504 A2523 / A2528	A2503 / A2504 A2523 / A2528

Suitable Without Projection Cams Table 1				
Compatible cam no.	A0203	A0210	A0240	A0243
Cam fitting hole	8 x 8 square 	8 x 8 square 	8 x 8 square 	8 x 8 square
Cam latch / lock no.	A1003 / A1021 / A1103 A1161 / A1168 / A1181 A1203 / A1210 / A1251 A1601 / A1620 / A1801 A2001 / A2203 / A2326 A2333 / A2392 / A2526 A4221 / A4241 / A4260 B1082 / B1086 / B1088 B1091 / B1092 / B1180 B1281 / B1285 / B1380 B1450 / B2091 / B2181	A1003 / A1021 / A1103 A1161 / A1168 / A1181 A1203 / A1210 / A1251 A1601 / A1620 / A1801 A2001 / A2203 / A2326 A2333 / A2392 / A2526 A4221 / A4241 / A4260 B1082 / B1086 / B1088 B1091 / B1092 / B1180 B1281 / B1285 / B1380 B1450 / B2091 / B2181	A1003 / A1021 / A1103 A1161 / A1168 / A1181 A1203 / A1210 / A1251 A1601 / A1620 / A1801 A2001 / A2203 / A2326 A2333 / A2392 / A2526 A4221 / A4241 / A4260 B1082 / B1086 / B1088 B1091 / B1092 / B1180 B1281 / B1285 / B1380 B1450 / B2091 / B2181	A1003 / A1021 / A1103 A1161 / A1168 / A1181 A1203 / A1210 / A1251 A1601 / A1620 / A1801 A2001 / A2203 / A2326 A2333 / A2392 / A2526 A4221 / A4241 / A4260 B1082 / B1086 / B1088 B1091 / B1092 / B1180 B1281 / B1285 / B1380 B1450 / B2091 / B2181

Suitable Without Projection Cams Table 2					
Compatible cam no.	A0250	A0234	A0215	A0231	A0233
Cam fitting hole	5 x 5 square 	6,3 dia. x 4,9 	7 x 7 square 	8 x 10 dia. 	8 x 10 dia.
Cam latch / lock no.	A4600 / A4620	A1661 / A1667	B2082 / B2084 / B2086 B2088 / B2285 / B2380	A1603 / A1611 A1630 / A1810	A1603 / A1611 A1630 / A1810

Calculation of correct cam off-set



Cam off-set

Use the formula to calculate your correct cam off-set:

$$ch = h - lh$$

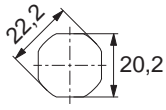
ch = the required cam off-set.
h = distance between inside of lock face and front of cam (also referred to as "grip length").
lh = length of cam body to be used (refer to individual cam body data sheets).

Cam Off-Set (dimension ch)

To ensure your cam fully and correctly engages with the frame of your door the correct cam off-set must be selected. A cam off-set can be either negative (-ve) or positive (+ve).

Cam Length (dimension cl)

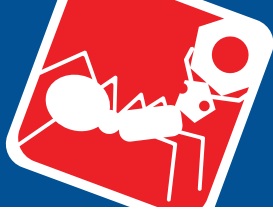
Impacts reach of the cam to door frame and hence impacts positioning of cam body for installation. Cam length or reach is measured from the centre of the cam fixing hole to the cam's leading edge. Refer to individual cam body datasheets.



flexi-system cut out

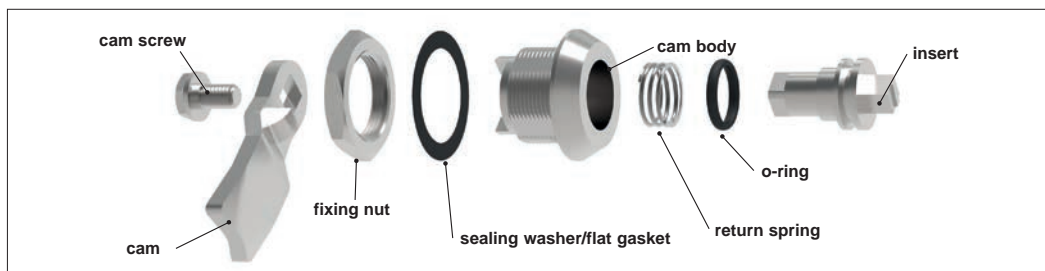
	Actuation Method	Body	Finishes	Cam Type		
	Insert Driver Cylinder Lock Manual/Grip	Body length (mm)	Die-Cast Zinc Polyamide Plastic Stainless Steel	Chrome Plated Black Coated Natural	With Projection W/O Projection	IP Rating
A1003 - Cam Latch - Fixed Grip	 ✓	18	✓	✓ ✓	✓	54
Cams: A0203, A0224, A0240 - Keys: A0102						
A1021 - Cam Latch - Fixed Grip	 ✓	18	✓	✓	✓	54
Cams: A0203, A0224, A0240 - Keys: A0102						
A1041 - Cam Latch - Push-to-Close - Fixed Grip	 ✓	18	✓	✓		
Cams: Supplied - Keys: A0102						
A1103 - Cam Latch - Fixed Grip	 ✓	18	✓	✓	✓	54
Cams: A0210 - Keys: A0102						
A1161 - Cam Latch - Padlockable - Fixed Grip	 ✓	18	✓	✓ ✓	✓	
Cams: A0203, A0224, A0240 - Keys: Padlockable						
A1168 - Cam Latch - Dust Proof Cap - Fixed Grip	 ✓	18	✓	✓	✓	54
Cams: A0203, A0224, A0240 - Keys: A0102						
A1181 - Cam Latch - Wing Handle - Fixed Grip	 ✓	18,5	✓ ✓	✓ ✓ ✓	✓	
Cams: A0203, A0224, A0240 - Keys: N/A						

	Actuation Method	Body	Finishes	Cam Type		
	Insert Driver Cylinder Lock Manual/Grip	Body length (mm)	Die-Cast Zinc Polyamide Plastic Stainless Steel	Chrome Plated Black Coated Natural	With Projection W/O Projection	IP Rating
A1203 - Cam Latch - Finger Handle - Fixed Grip	 ✓	Various	✓	✓ ✓	✓	
Cams: A0203, A0224, A0240 - Keys: N/A						
A1210 - Cam Latch - Tamper Evident	 ✓	20	✓	✓	✓	
Cams: A0203, A0224, A0240 - Keys: N/A						
A1241 - Cam Latch - Stepped Grip	 ✓	Various	✓	✓		65
Cams: Supplied - Keys: A0102						
A1251 - Cam Latch - Fixed Extended Body	 ✓	Various	✓	✓	✓	54
Cams: A0203, A0224, A0240 - Keys: A0102						
A1580 - Compression Latch - Fixed Grip	 ✓	18	✓	✓		
Cams: N/A - Keys: A0102						
A1601 - Compression Latch - Fixed Grip	 ✓	31	✓	✓ ✓	✓	54
Cams: A0203, A0224 - Keys: A0102						
A1603 - Compression Latch - Fixed Grip	 ✓	38	✓	✓	✓	54
Cams: A0231, A0233 - Keys: A0102						



Wixroyd Cam Latches

technical specification and advice



Physical and chemical characteristics of polyamide

Physical condition	solid (at 20°C)
Density	> 1,0 g/cm ³
Yield Point	220°C
Smell	No particular smell
Dissolvability in water	Undissolvable
Segregation temperature	> 350°C
Fire Point	>390°C
Auto ignition temperature	> 400°C

Zinc

Zinc Alloy is the most fundamental material for the Wixroyd product range. Housings, inserts, handles, spacers, keys, hinges etc, are all die cast products. The zinc used is a zinc alloy with the following contents (except zinc): Al 4,03% Cu 0,83% as well as minor contents of Mg, Fe, Pb, Cd, Sn and Ni.

RoHS Compliance

Our Cam Latches are RoHS Compliant.



Materials

Plastic - Polyamide

Many of our products are made of injection moulded plastic, normally polyamide. When needed, we add fibreglass to the material, in order to optimise qualities of the product. Examples of products made out of polyamide: handles, housings, rod guides etc.

Degrees of sealing protection

A product classified to an IP rating has either been tested in an independent laboratory, or due to the resemblance of its structure to a tested product, classified as IP.

Important note: We can only guarantee our products correspond to the indicated classification when assembled and used correctly.

IP65 RATED

IP 65: Dust Tight and Jetting Secure. Through the application of an o-ring and a flat gasket, this higher classification can be achieved.

IP54 RATED

IP 54: Dust and Splash Protected. This is the standard classification for our products. Equivalent to NEMA3.

IP ratings

Character	Value	Standard
Density	1,35 g/cm ³	DIN 53479
Hardness	65 Shore A	DIN 53505
Breaking Strain	5 N/mm ²	DIN 53504
Expansion	200%	DIN 53504
Heat & cold resistance	max. 70°C, min. -35°C	

Through the application of a flat gasket between the lock and the door, class IP 65 or NEMA 4 is achieved.

Pressure deformation test			
Time/temp.	Type of test	Standard	Result
22h/100°C	DVR	DIN 53517 A	9%
70h/100°C	DVR	DIN 53517 A	12%

The flat gasket is made out of a mixture of NBR (Nitrile Rubber) and SBR (Styrolbutadiene Rubber). This gives the gasket a satisfactory chemical resistance and a good constancy to oil.

Flat gaskets/ Sealing Washer

Character	Value	Standard
Density	1,240 g/cm ³	DIN 53479
Hardness	71 Shore A	DIN 53505
Breaking strain	14 N/mm ²	DIN 53504
Expansion	280%	DIN 53504
Recoil elasticity	32%	DIN 53512
Heat & cold resistance	max. 120°C, min. -40°C	

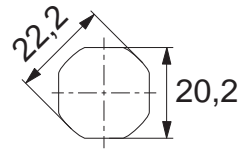
For all O-rings, an NBR material with the following technical characteristics is used.

O Rings

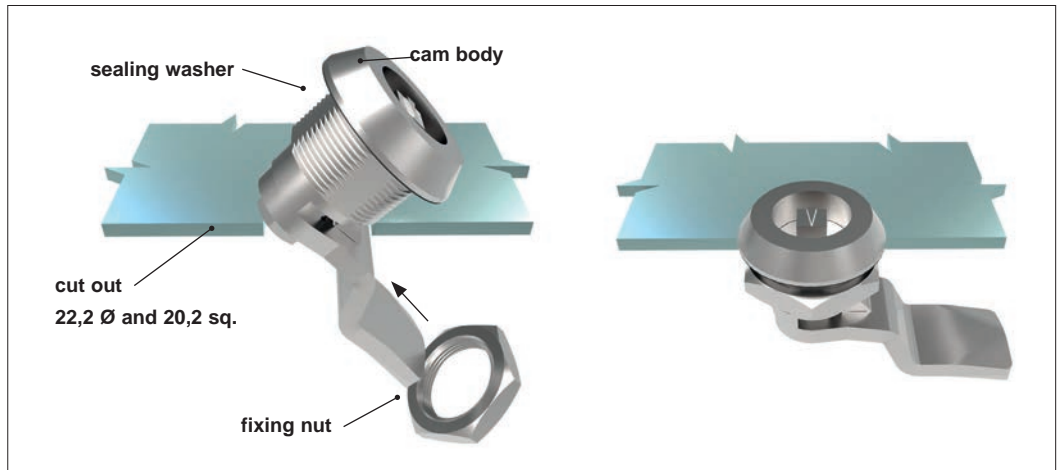


Flexi-system cut out

Our flexi-system is based on a standard installation cut out 22,2 Ø and 20,2 sq.



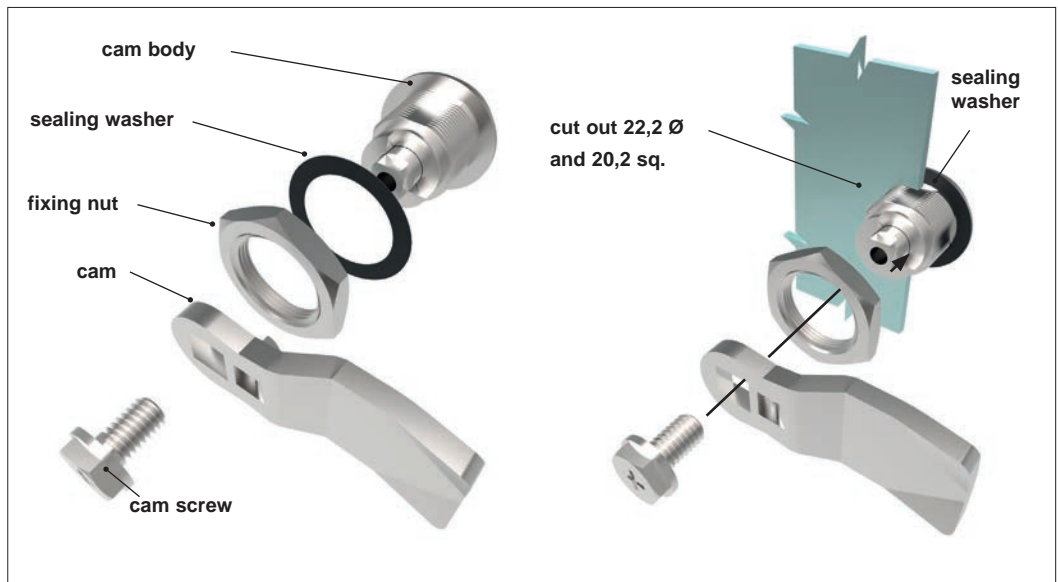
Option 1: Installation when fully assembled



When the cam latch grip (h) is 9mm or more this method is possible:-

1. With the cam body and cam fully assembled, attach the sealing washer to cam body.
2. Tilt the latch 45° and pass it, cam first, through the installation cut out in the panel.
3. When in place attach the fixing nut to the cam body to secure. Tighten to 10 Nm max.

Option 2: Installation unassembled



When the cam latch grip (h) is less than 9mm this method is suitable:-

1. Prior to commencing ensure that the cam body, cam, cam screw, fixing nut and sealing washer are completely unassembled.
2. Attach the sealing washer to the cam body and pass through installation cut out in panel.
3. Attach the fixing nut to the cam body to secure. Tighten to 10 Nm max.
4. Attach the cam to the cam body. Once you have ensured that the cam has the correct orientation toward the panel frame, secure the cam screw and tighten to 4 Nm.