

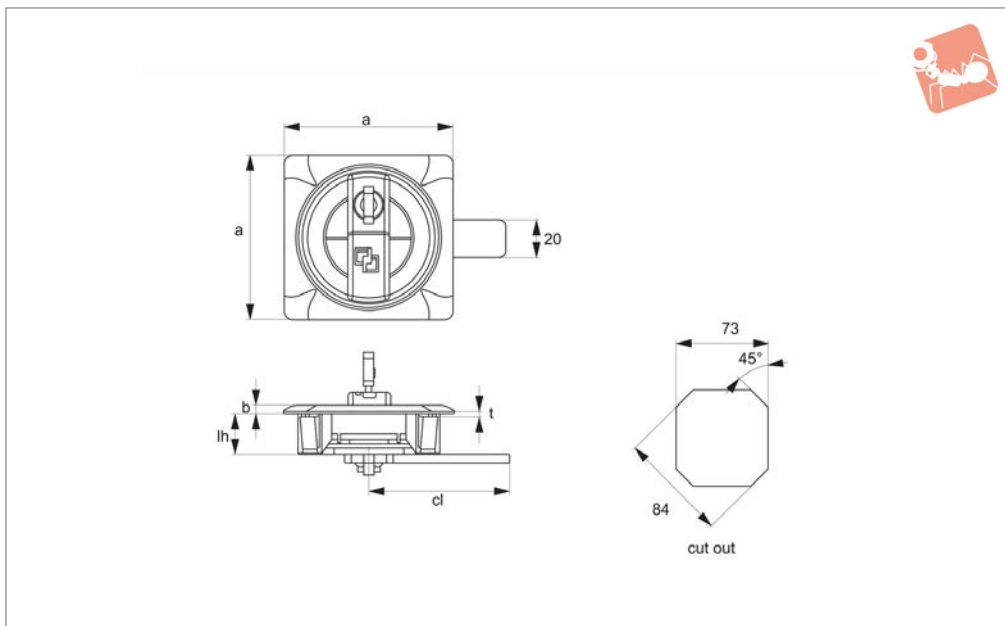


Cabinet Lock - Snap in

Recessed handle, cylinder lock, polyamide



Cam Locks



B4510

CAM LOCKS

Material

Body: Black plastic (PA6).
Handle: Zinc.

Supplied: Cam and key.

Technical Notes

For plain/flush mounted doors, as well as

electrical panels and covers.

securely mount handle.

Tips

Easy snap on fix mounting. Make cut out in panel as shown, and simply push in handle, snap on clips will spring back to

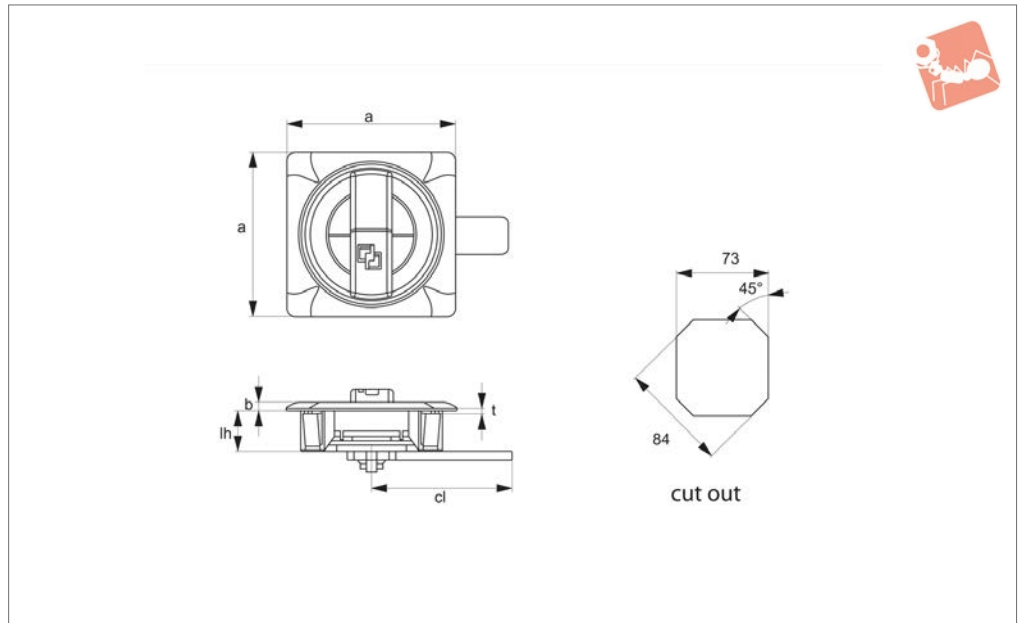
Order No.	Key type	a	b	t	cl	lh
B4510.AW0020	Keyed Alike	84	3.3	0,8-2	72	21



CAM LOCKS



B4520



Material

Body: Black plastic (PA6).
Handle: Zinc, black coated.
Supplied: Cam.

Technical Notes

For plain/flush mounted doors, as well as

electrical panels and covers.

securely mount handle.

Tips

Easy snap on fix mounting. Make cut out in panel as shown, and simply push in handle, snap on clips will spring back to

Order No.	Lock type	a	b	t	cl	lh
B4520.AW0120	No lock	85	3.3	0,8-2	72	21



Models available



Cam Latch - Flush T-Handle with rod control for multi-point latching



Cam Latch - Flush T-Handle for single point latching



Cam Latch - Flush T-Handle with adjustable grip



Cam Latch - Concealed T-Handle for electricity panels

Variety of materials

- Steel.
- Stainless steel.
- Aluminium.
- Polyamide.

Actuation/locking method

- Blank, without lock.
- Standard cylinder Lock.
- Padlockable T-Handle actuation.

Features

- Heating & ventilation.
- Generators.
- Compressors.
- Machine covers.

- Electric panels.
- Off-road equipment.
- Industrial transport.
- Special equipment cases.

Applications