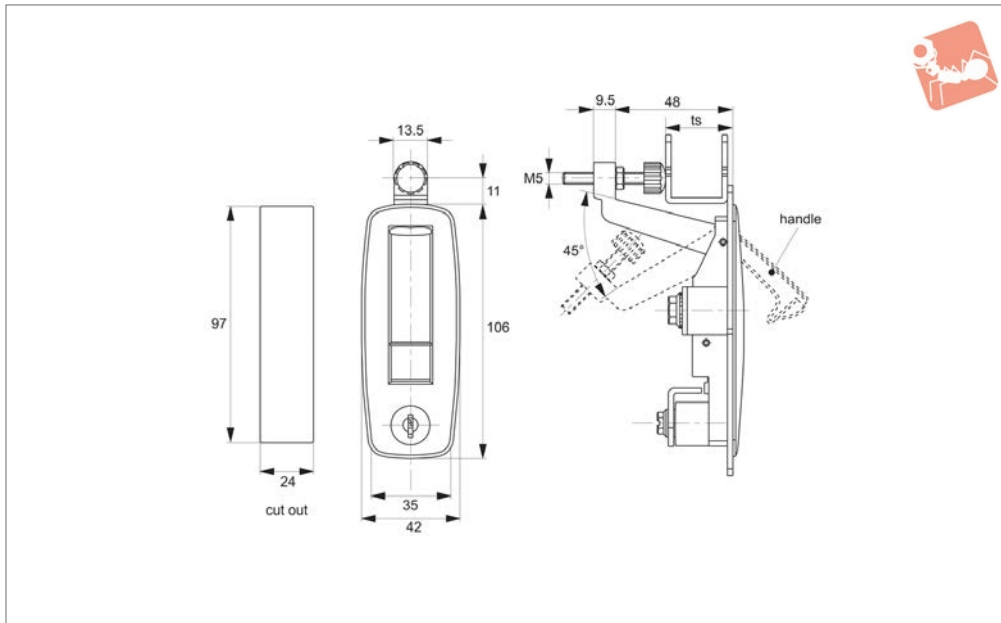




# Compression Locks

lever latch - adjustable grip - flush trigger - zinc

# Compression Latches



## A1701

COMPRESSION LATCHES

### Material

Body and handle and button: die cast zinc, black power coated.

Cylinder lock: die cast zinc.

Screw: steel, white zinc plated.

**Supplied with:** KEY.

### Technical Notes

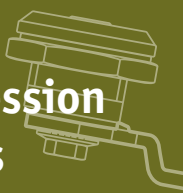
Grip length can be adjusted via M5 clamping screw to suit your application.

Suitable for panel thickness 20-35mm. For installation cut out see diagram.

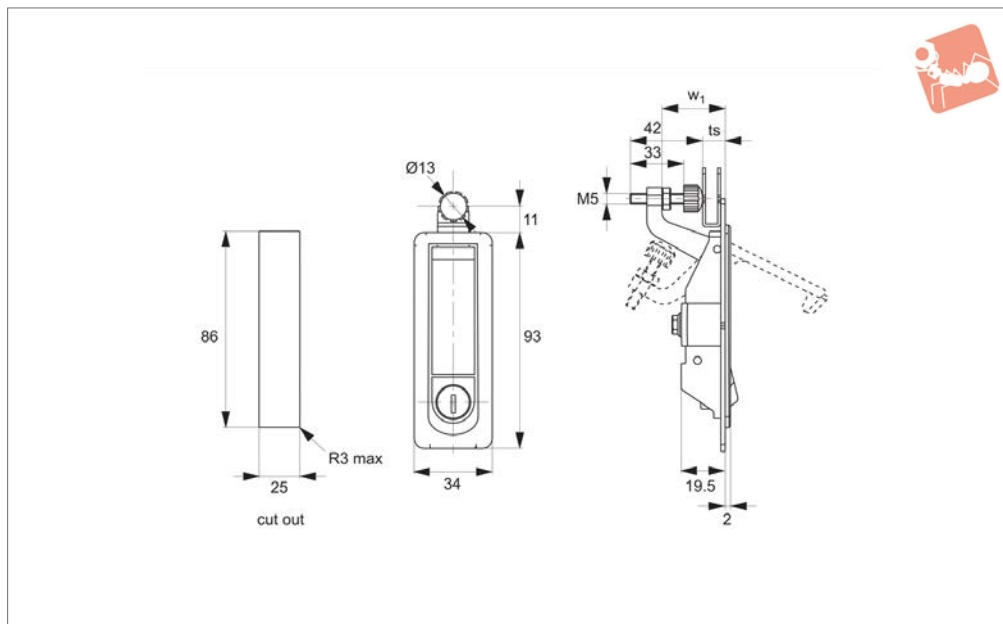
### Tips

Quick-open, easy assembling, by adjusting screw meets the needs of distance control.

Order No.	Finish	Lock type	ts grip adj.
A1701.AW0310	Black Coated	Std. Cylinder	20-35



## A1707



### Material

Body and handle and button: die cast zinc, black power coated.  
Cylinder lock: die cast zinc.

Screw: steel, white zinc plated.

**Supplied with:** KEY.

### Technical Notes

Grip length can be adjusted via screw between 1 and 20mm. Suitable for panel thickness 1-20mm.

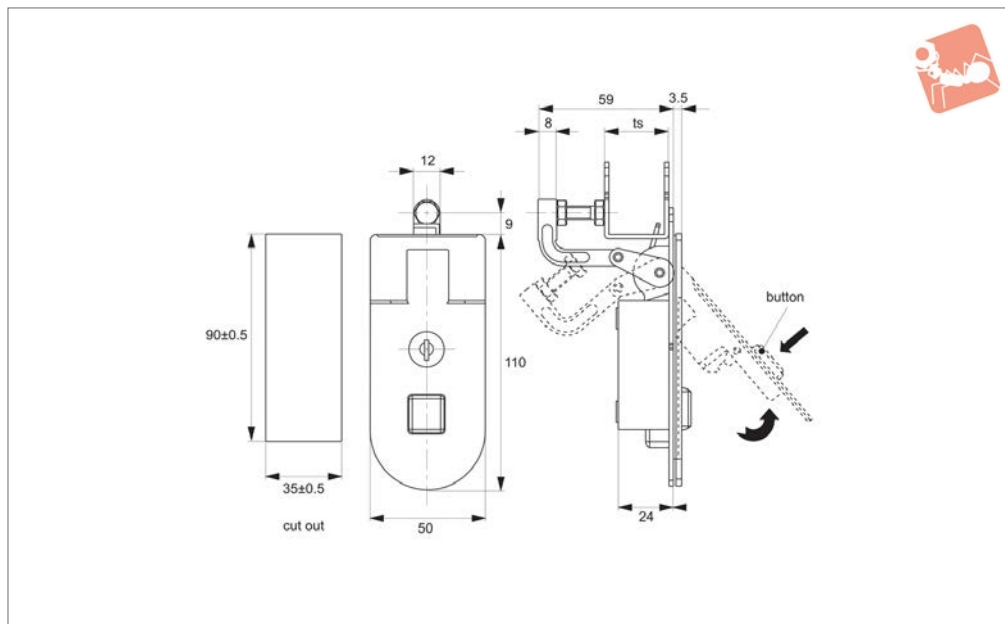
Order No.	Finish	Lock type	ts grip adj.	w <sub>1</sub>
<a href="#">A1707.AW0710</a>	Black Coated	Std. Cylinder with Keyed Alike	1-20	29
<a href="#">A1707.AW0720</a>	Black Coated	Blank - No Lock	1-20	29
<a href="#">A1707.AW0910</a>	Black Coated	Std. Cylinder with Keyed Alike	17-40	50
<a href="#">A1707.AW0920</a>	Black Coated	Blank - No Lock	17-40	50



# Compression Locks

lever latch - adjustable grip - zinc

## Compression Latches



**A1751**

COMPRESSION LATCHES

**Material**

Body and handle: die cast zinc, black power coated.  
 Cylinder lock: die cast zinc.  
 Screw: steel, white zinc plated.

**Supplied with:** KEY.

**Technical Notes**

Grip adjustment 31-48mm.




**Tips**

Quick-open, easy assembling. Grip length can be adjusted via clamping screw to suit your application.

Order No.	Finish	Lock type	ts grip adj.
A1751.AW0310	Black Coated	Std. Cylinder	31-48



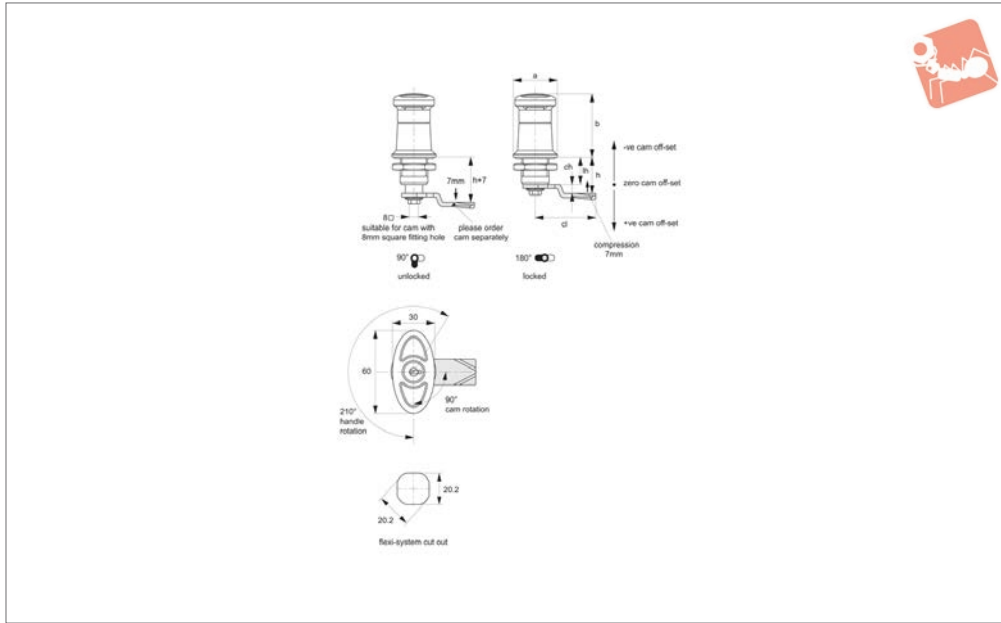
Miscellaneous Cut out	Actuation Method			Body length (mm)	Body			Finishes			Cam Type	
	Insert Driver	Cylinder Lock	Manual/Grip		Die-Cast Zinc	Polyamide Plastic	Stainless Steel	Chrome Plated	Black Coated	Natural	With Projection	W/O Projection
	✓			10	✓			✓				
<b>A1192 - Mini Cam Latch - Wing Handle - Fixed Grip</b> Cams: Supplied - Keys: N/A												
	✓			25		✓			✓			54
<b>A1506 - Panel Latches - Fixed Grip</b> Cams: Supplied - Keys: A0102												
	✓			18		✓				✓		
<b>A1520 - Cam Lock - Fixed Grip</b> Cams: Supplied - Keys: A0102												
		✓			✓			✓				
<b>A1546 - Panel Latch - Uncovered</b> Cams: Supplied - Keys: N/A												
	✓			22,5		✓				✓		
<b>A1561 - Panel Latch - with Cover</b> Cams: Supplied - Keys: N/A												
	✓				✓			✓				
<b>A1701 - Compression Latch - Lever Latch - Flush Trigger</b> Cams: N/A - Keys: Supplied												
	✓			19	✓				✓			
<b>A1707 - Compression Latch - Lever Latch - Raised Trigger</b> Cams: Supplied - Keys: Supplied												
	✓				✓			✓				
<b>A1751 - Compression Latch - Lever Latch</b> Cams: N/A - Keys: Supplied												

Miscellaneous Cut out	Actuation Method			Body length (mm)	Body			Finishes			Cam Type	
	Insert Driver	Cylinder Lock	Manual/Grip		Die-Cast Zinc	Polyamide Plastic	Stainless Steel	Chrome Plated	Black Coated	Natural	With Projection	W/O Projection
	✓					✓				✓		40
<b>A4241 - Cam Latch - with Rod Control - Extended Cover</b> Cams: A0203, A0224, A0240 - Keys: A0102												
		✓				✓				✓		54
<b>A4260 - Cam Lock - with Rod Control - Wing Handle - Extended Cover</b> Cams: A0203, A0224, A0240 - Keys: A0102												
	✓			Various		✓				✓		✓
<b>A4221 - Cam Latch - with Rod Control - with Cover</b> Cams: A0203, A0224 - Keys: A0102												



# Compression Lock - T-handle - Flexi- T-handle - fixed grip - zinc

## Compression Latches



### A1801

COMPRESSION LATCHES

#### Material

Body & handle: die cast zinc, nanometer coated.

**Supplied with:** Key.

**Not supplied:** CAM - order separately.

#### Technical Notes

Order cam and key separately.

**Cams:** see suitable cam A0203 and A0224.

Select „without projection“ cam type.

Dimensions  $ch$  and  $cl$  relate to cam. Use formula to calculate  $ch$  (required cam off-set), and refer to cam selection chart;  
 $ch = h - lh$  where;  
 $ch$  = required cam off-set/height.  
 $h$  = grip length (distance between inside of latch face and front of cam).  
 $lh$  = body length of cam latch/lock to be used (see product table below).

**Keys:** see A0102.

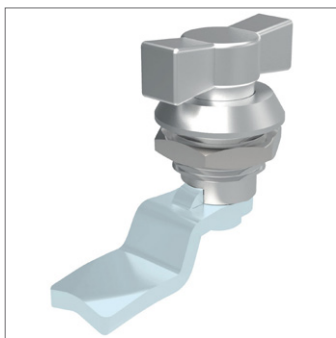
#### Tips

Compression locks provide sealing of enclosures to reduce vibration and to provide noise isolation.

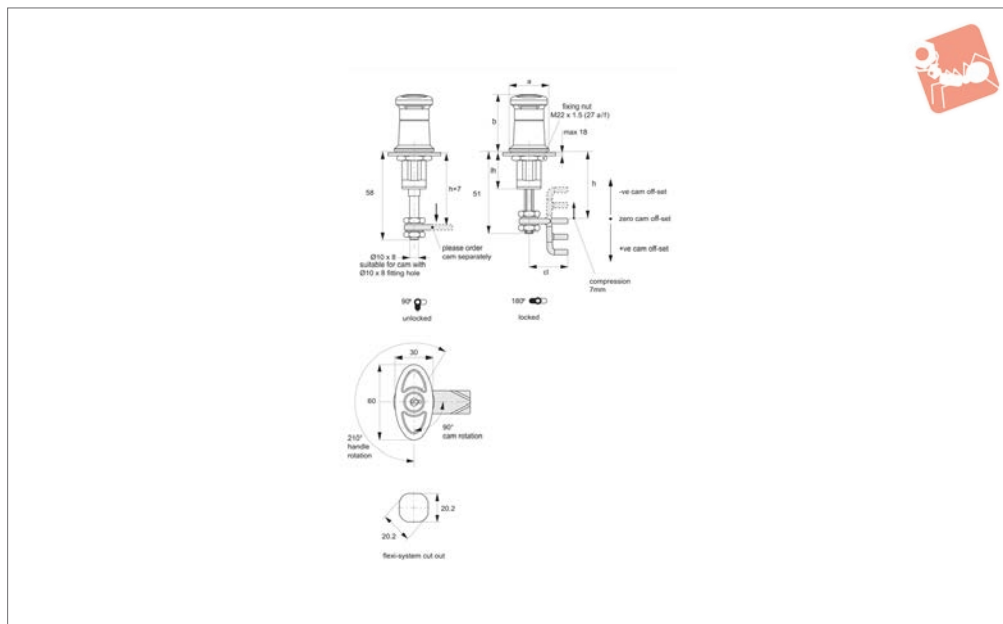
#### Action:

210° handle rotation, 90° cam rotation.

Order No.	Lock type	a	b	lh
A1801.AW0032	Std. Cylinder	32	46	18
A1801.AW0132	Blank - No Lock	32	46	18



## A1810



### Material

Body & handle: die cast zinc, nanometer coated.

Shaft: steel, white zinc plated.

**Supplied with:** Key.

**Not supplied:** CAM - order separately.

### Technical Notes

Order cam and key separately.

**Cams:** see suitable cam A0231 and A0233.

Select „without projection“ cam type.

Dimensions ch and cl relate to cam. Use

formula to calculate ch (required cam off-set), and refer to cam selection chart;

**ch = h - lh** where;

**ch** = required cam off-set/height.

**h** = grip length (distance between inside of latch face and front of cam).

**lh** = body length of cam latch/lock to be used (see product table below).

**Keys:** see A0102.

### Tips

Compression locks provide sealing of

enclosures to reduce vibration and to provide noise isolation.

Adjustable grip type has an extended stem which can be cut in length to best suit your application.

### Action:

210° handle rotation, 90° cam rotation.

**Provides a 7mm compression stroke.**

Order No.	Lock type	a	b	lh
A1810.AW0032	Std. Cylinder	32	46	18
A1810.AW0132	Blank - No Lock	32	46	18



# Selecting the Correct Cam Latch or Lock

## A1004 - A4260

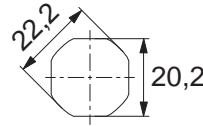
Cam Latches and Locks

When selecting a Wixroyd Cam Latch for your application, you need to answer these questions:

1. Which installation cut out?
2. Which body style?
3. Which locking key?
4. Which accessories?
5. Which cam type and size?

### Cut out

All our Flexi-System cam latches use a standard installation cut out 22,2 dia, 20,2 square, for maximum flexibility. We also provide a number of alternative cut out dimensions for legacy/historical installations.



flexi-system cut out

**Step 1:**  
Which installation cut out?

### Material and finish

Select from our variety of die cast zinc, polyamide plastic and stainless versions.



Die-cast zinc chrome plate



Die-cast zinc black coated



Polyamide black



Stainless steel

### Actuation and locking method

Standard insert driver type, cylinder lock or wing handle type.



Insert driver



Cylinder lock



Wing handle

### Number of latching points in application

Typically single point latching is required, but the Wixroyd Flexi-System also provides multi-point latching (typically 3 point - at lock point, top and bottom of cabinet).



Single point



Two point



Multi-point

**Step 2:**  
Which body style?

### Standard insert driver keys

Our range of insert driver cam latches require a simple key to actuate. Refer to part A0102 and A0103 for correct keys.



### Cylinder locking

Our cam locks with cylinder locks are supplied with two keys per lock. Available as keyed alike or keyed to differ locks.



**Step 3:**  
Which locking key?

- Multi-point latching: use our rod set A0303 to A0325 for suitable rods and rod guides.
- Finger pulls: easily installed with any of our flexi-system cam bodies, finger pull no. A0352 is a simple, cost effective handle for your cabinets.
- Dust Cap: to reduce material ingress.

**Step 4:**  
Which accessories?



