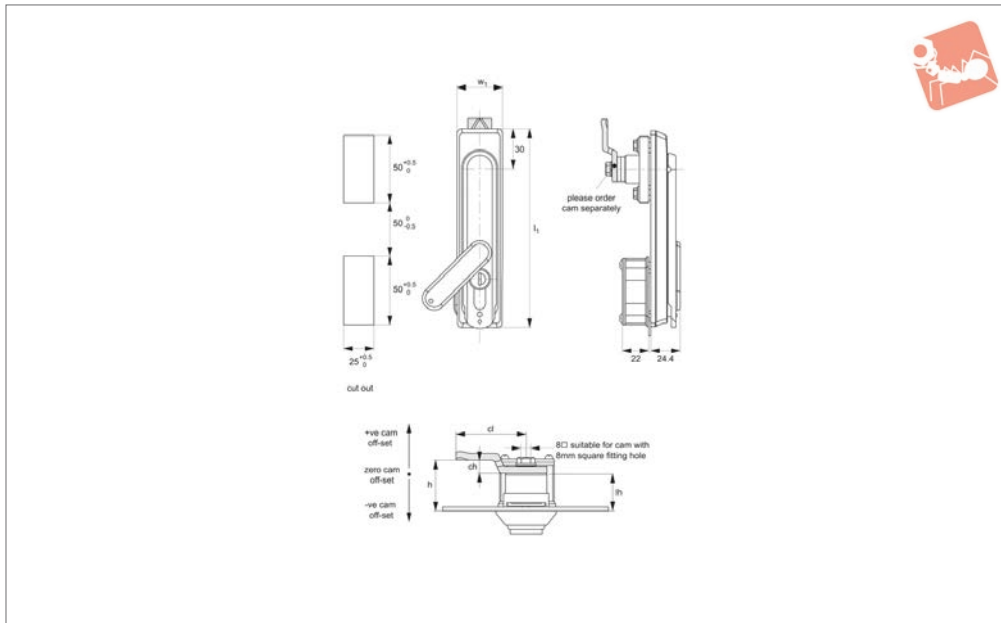




# Swing Handles - Cam Control

## 40mm euro cylinder lock - dust cover

# Swing Handles



## B1082

SWING HANDLES

### Material

**Type One:** Body & Handle: die cast zinc, black powder coated.

**Type Two:** Body: Polyamide PA6, black.  
Handle: die cast zinc, black powder coated.  
Cylinder lock: die cast zinc, chrome plated.

**Supplied with:** Keys: two per lock.

**Not supplied:** Cam: order separately.

### Technical Notes

Order cam separately.

**Cams:** see suitable cam A0203, A0224 and

A0240. Select „without projection“ cam type.

Dimensions ch and cl relate to cam. Use formula to calculate ch (required cam off-set), and refer to cam selection chart;

**ch = h - lh** where;

**ch** = required cam off-set/height.

**h** = grip length (distance between inside of latch face and front of cam).

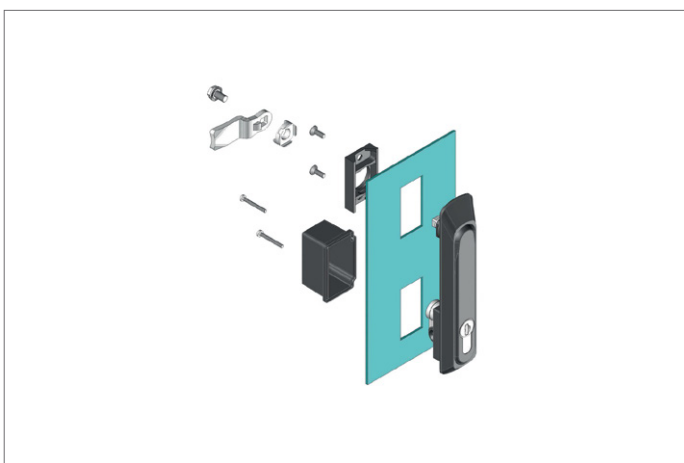
**lh** = body length of cam latch/lock to be used (see product table below).

**Rods & Guides:** to achieve 3-point latching - A0303, A0321, A0325.

### Tips

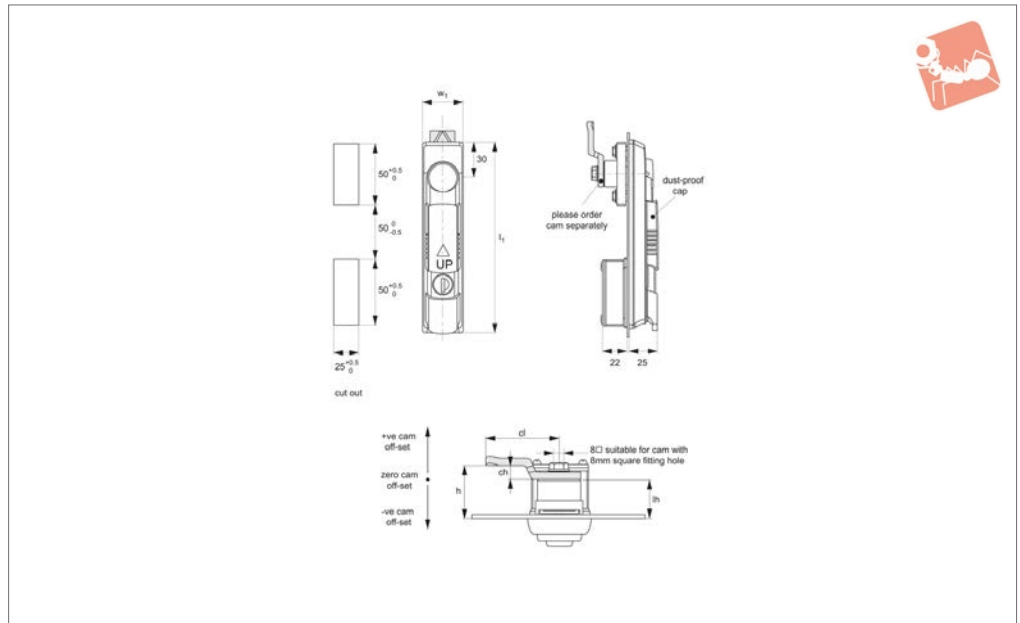
90° degree handle rotation combines with rod latch to open or close. All die cast metal construction provides higher strength than standard models. Ideal for electrical cabinets, telecom racks or enclosures max. panel thickness of 1 to 4mm. For use inside of cabinet gasket. Universal left/right.

Order No.	Type	Body	Lock type	Handle	Padlockable	Key type	l <sub>1</sub>	w <sub>1</sub>	lh
B1082.AW0010	One	Zinc	40 Euro	Zinc	No	Keyed Alike	160	34	19
B1082.AW0020	One	Zinc	40 Euro	Zinc	Yes	Keyed Alike	160	34	19
B1082.AW0310	Two	Polyamide	40 Euro	Zinc	No	Keyed Alike	160	34	19
B1082.AW0320	Two	Polyamide	40 Euro	Zinc	Yes	Keyed Alike	160	34	19





## B1086



### Material

**Type One:** Body & Handle: die cast zinc, black powder coated.

**Type Two:** Body: Polyamide PA6, black. Handle: die cast zinc, black powder coated. Cylinder lock: die cast zinc, chrome plated. Foaming seal to achieve IP54 rating.

**Supplied with:** Keys: two per lock.

**Not supplied:** Cam: order separately.

### Technical Notes

Order cam separately.

**Cams:** see suitable cam A0203, A0224 and

A0240. Select „without projection“ cam type.

Dimensions  $ch$  and  $cl$  relate to cam. Use formula to calculate  $ch$  (required cam off-set), and refer to cam selection chart;

**$ch = h - lh$**  where;

**$ch$**  = required cam off-set/height.

**$h$**  = grip length (distance between inside of latch face and front of cam).

**$lh$**  = body length of cam latch/lock to be used (see product table below).

**Rods & Guides:** to achieve 3-point latching

- A0303, A0321, A0325.

### Tips

90° degree handle rotation combines with rod latch to open or close. All die cast metal construction provides higher strength than standard models. Ideal for electrical cabinets, telecom racks or enclosures max. panel thickness of 2mm. For use inside of cabinet gasket. Universal left/right.

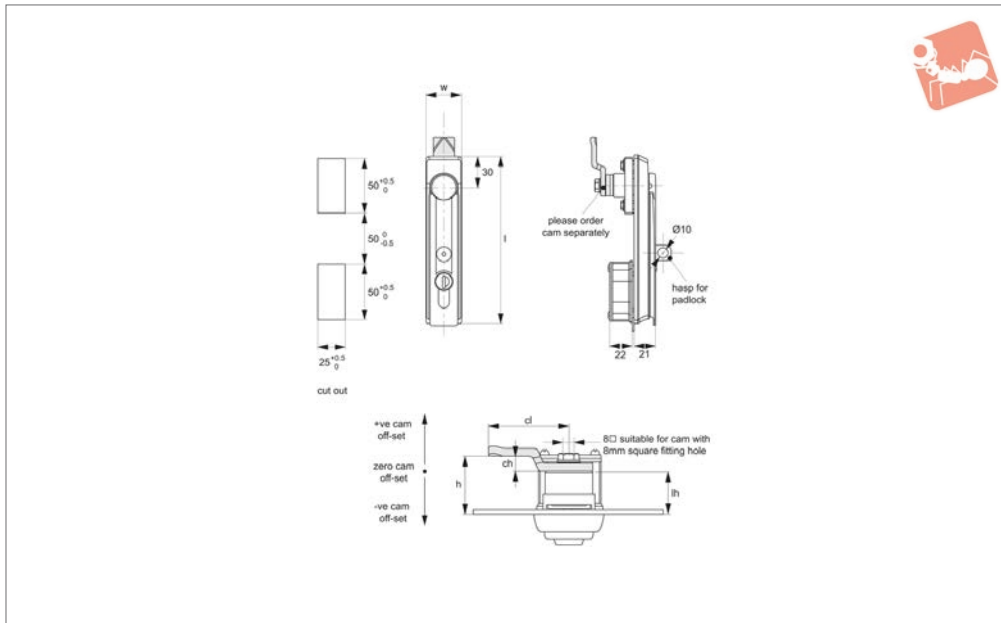
Order No.	Type	Body	Handle	Key type	$l_1$	$w_1$	$lh$
B1086.AW0010	One	Zinc	Zinc	Keyed Alike	160	34	19
B1086.AW0310	Two	Polyamide	Zinc	Keyed Alike	160	34	19



# Swing Handles - Cam Control

40mm euro cylinder lock - padlockable - zinc or

## Swing Handles



**B1088**

SWING HANDLES

### Material

**Type One:** Body & Handle: die cast zinc, black powder coated.

**Type Two:** Body: Polyamide PA6, black. Handle: die cast zinc, black powder coated. Cylinder lock: die cast zinc, chrome plated.

**Supplied with:** Keys: two per lock.

**Not supplied:** Cam: order separately.

### Technical Notes

Order cam separately.

**Cams:** see suitable cam A0203, A0224 and

A0240. Select „without projection“ cam type.

Dimensions ch and cl relate to cam. Use formula to calculate ch (required cam off-set), and refer to cam selection chart;

**ch = h - lh** where;

**ch** = required cam off-set/height.

**h** = grip length (distance between inside of latch face and front of cam).

**lh** = body length of cam latch/lock to be used (see product table below).

**Rods & Guides:** to achieve 3-point latching - A0303, A0321, A0325.

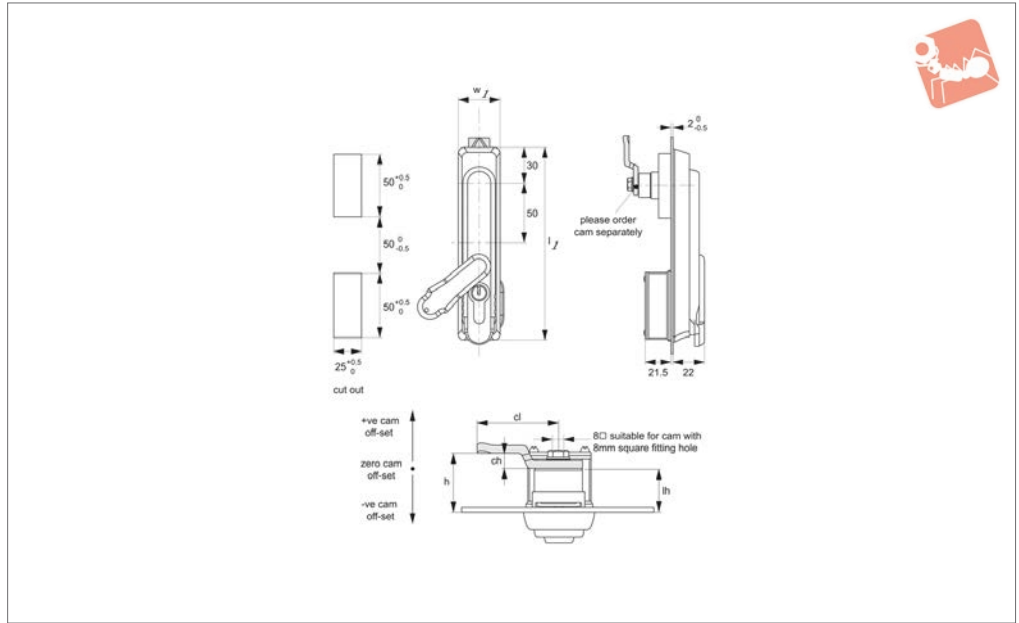
### Tips

90 degree handle rotation combines with rod latch to open or close. All die cast metal construction provides higher strength than standard models. Ideal for electrical cabinets, telecom racks or enclosures max. panel thickness of 1 to 4mm. For use inside of cabinet gasket. Universal left/right.

Order No.	Type	Body	Lock type	Handle	Padlockable	Key type	l	w	lh
<b>B1088.AW0010</b>	One	Zinc	40 Euro	Zinc	No	Keyed Alike	160	34	19
<b>B1088.AW0310</b>	Two	Polyamide	40 Euro	Zinc	No	Keyed Alike	160	34	19
<b>B1088.AW0020</b>	One	Zinc	40 Euro	Zinc	Yes	Keyed Alike	160	34	19
<b>B1088.AW0320</b>	Two	Polyamide	40 Euro	Zinc	Yes	Keyed Alike	160	34	19



## B1091



### Material

Body & Handle: polyamide, PA6, black.  
 Cylinder lock: die cast zinc, chrome plated.  
**Supplied with:** Keys: two per lock.  
**Not supplied:** Cam: order separately.  
**Supplied with:** Keys: two per lock.  
**Not supplied:** Cam: order separately.

### Technical Notes

Order cam separately.  
**Cams:** see suitable cam A0203, A0224 and

A0240. Select „without projection“ cam type.  
 Dimensions  $ch$  and  $cl$  relate to cam. Use formula to calculate  $ch$  (required cam off-set), and refer to cam selection chart;  
 **$ch = h - lh$**  where;  
 **$ch$**  = required cam off-set/height.  
 **$h$**  = grip length (distance between inside of latch face and front of cam).  
 **$lh$**  = body length of cam latch/lock to be

used (see product table below).  
**Rods & Guides:** to achieve 3-point latching - A0303, A0321, A0325.

### Tips

Also available with radial pin lock, subject to min. order quantity.  
 Ideal for electrical cabinets, telecom racks or enclosures max. panel thickness of 2mm. For use inside of cabinet gasket. Universal left/right.

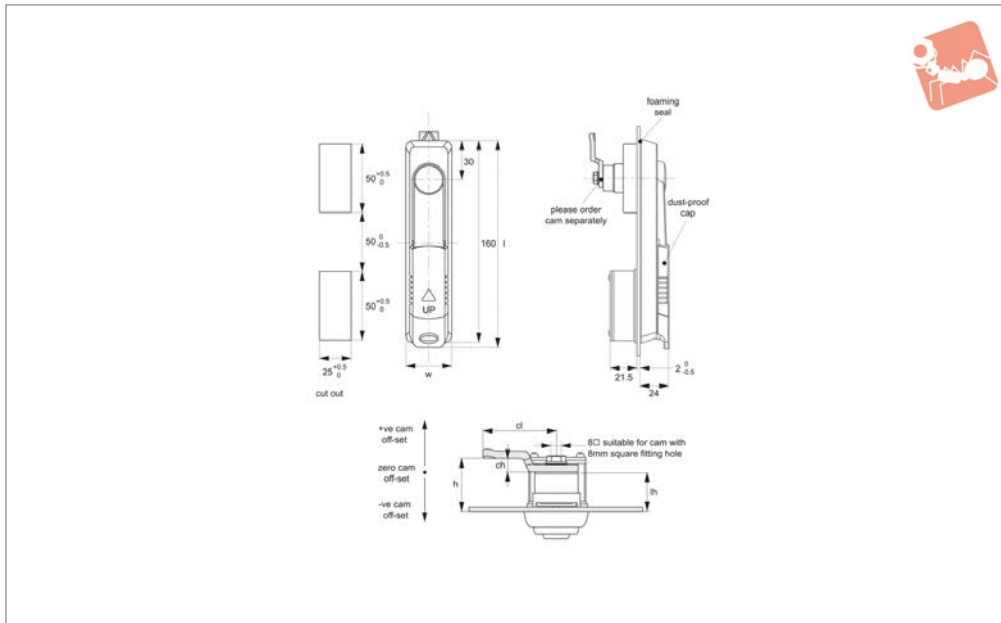
Order No.	Finish	Lock type	Key type	$l_1$	$w_1$	$lh$
B1091.AW0020	Black, Plastic	40 Euro	Keyed Alike	160	35	16



# Swing Handles - Cam Control

40mm euro cylinder lock - dust proof cover - plastic

## Swing Handles



**B1092**

SWING HANDLES

### Material

Body & Handle: polyamide, PA6, black.  
 Cylinder lock: die cast zinc, chrome plated.  
**Supplied with:** Keys: two per lock.  
**Not supplied:** Cam: order separately.

### Technical Notes

Order cam separately.  
**Cams:** see suitable cam A0203, A0224 and A0240. Select „without projection“ cam

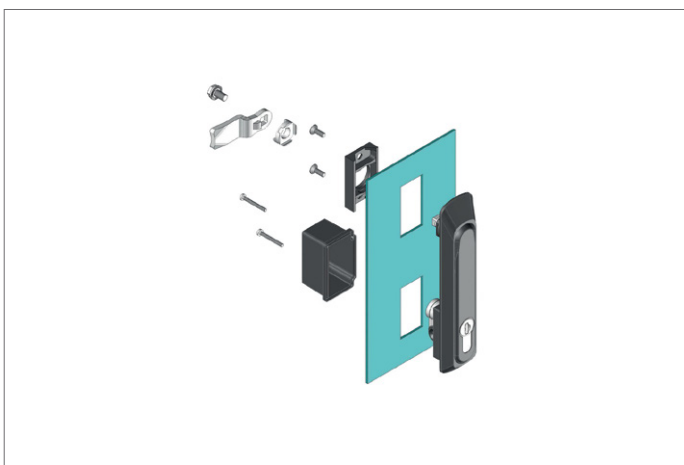
type.  
 Dimensions ch and cl relate to cam. Use formula to calculate ch (required cam off-set), and refer to cam selection chart;  
 $ch = h - lh$  where;  
 $ch$  = required cam off-set/height.  
 $h$  = grip length (distance between inside of latch face and front of cam).  
 $lh$  = body length of cam latch/lock to be

used (see product table below).  
**Rods & Guides:** to achieve 3-point latching - A0303, A0321, A0325.

### Tips

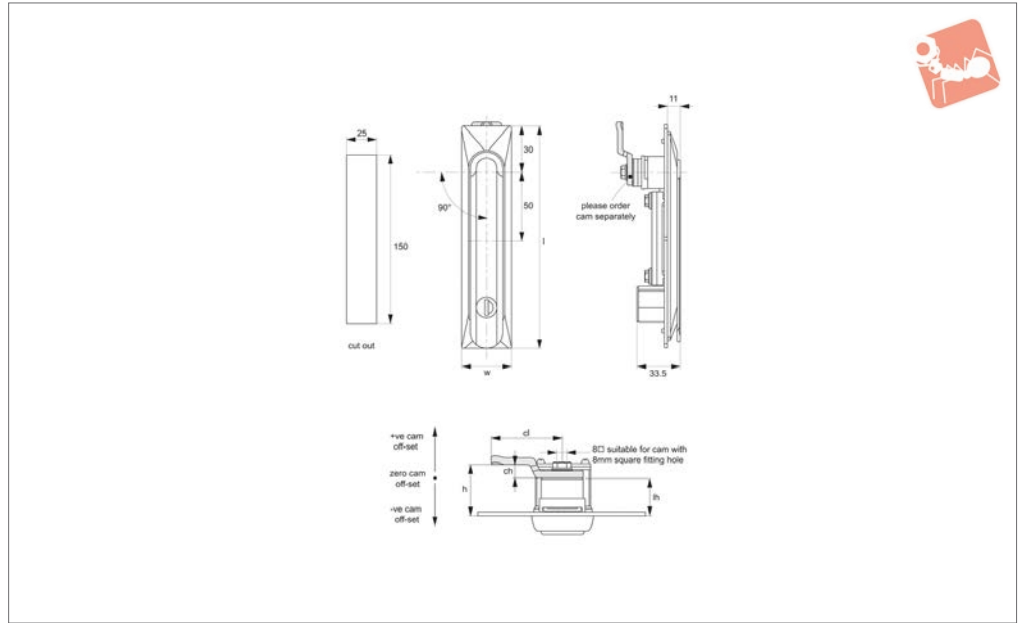
Ideal for electrical cabinets, telecom racks or enclosures max. panel thickness of 2mm. For use inside of cabinet gasket. Universal left/right.

Order No.	Finish	Lock type	Key type	l	w	lh
<b>B1092.AW0010</b>	Black, Plastic	40 Euro	Keyed Alike	165	35	16





## B1180



### Material

Body & Handle: die cast zinc, pocked black power coated.

Polyurethane gasket: to achieve IP65 rating.

Cylinder lock: die cast zinc, chrome plated.

**Supplied with:** Keys: two per lock.

**Not supplied:** Cam: order separately.

### Technical Notes

Order cam separately.

**Cams:** see suitable cam A0203, A0224 and A0240. Select „without projection“ cam type.

Dimensions ch and cl relate to cam. Use formula to calculate ch (required cam off-set), and refer to cam selection chart;

**ch = h - lh** where;

**ch** = required cam off-set/height.

**h** = grip length (distance between inside of latch face and front of cam).

**lh** = body length of cam latch/lock to be used (see product table below).

**Rods & Guides:** to achieve 3-point latching - A0303, A0321, A0325.

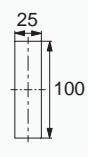

Order No.	Finish	Lock type	Key type	l	w	lh
B1180.AW0010	Black Coated	Std. Cylinder	Keyed Alike	160	36	20

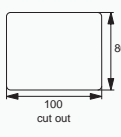



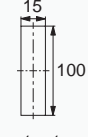

# Wixroyd Swing Handles


product selection charts


# Swing Handles & Paddle Latches

cut out	Cylinder Profile		Body			Locking System		Use		Cam Type				
	Std. Cylinder Lock	40mm Euro Padlockable Insert Driver	Die-Cast Zinc	Polyamide Plastic	Stainless Steel	Aluminium	IP Rating	1-point	2-point	3-point	Inside Gasketing	Outside Gasketing	With Projection	W/O Projection
														
<b>B1180 - Swing Handle</b>														
	✓		✓				54	✓	✓	✓	✓			✓
	Cams: A0203, A0224, A0240 - Keys: Supplied													

cut out	Cylinder Profile		Body			Locking System		Use		Cam Type				
	Std. Cylinder Lock	40mm Euro Padlockable Insert Driver	Die-Cast Zinc	Polyamide Plastic	Stainless Steel	Aluminium	IP Rating	1-point	2-point	3-point	Inside Gasketing	Outside Gasketing	With Projection	W/O Projection
														
<b>B4590 - Cam Latch - Flush T-handle - Heavy Duty</b>														
	✓		✓					✓			✓			✓
	Cams: Supplied - Keys: Supplied													

cut out	Cylinder Profile		Body			Locking System		Use		Cam Type				
	Std. Cylinder Lock	40mm Euro Padlockable Insert Driver	Die-Cast Zinc	Polyamide Plastic	Stainless Steel	Aluminium	IP Rating	1-point	2-point	3-point	Inside Gasketing	Outside Gasketing	With Projection	W/O Projection
														
<b>B4584 - Cam Latch - Flush T-handle, Vertical - Heavy Duty</b>														
	✓		✓								✓	✓		✓
	Cams: Supplied - Keys: Supplied													

<b>B4586 - Cam Latch - Flush T-handle, Vertical - Heavy Duty</b>														
	✓		✓								✓	✓		✓
	Cams: Supplied - Keys: Supplied													

<b>B4588 - Cam Latch - Flush T-handle, Vertical - Heavy Duty</b>														
	✓		✓								✓	✓		✓
	Cams: Supplied - Keys: Supplied													

SWING HANDLES

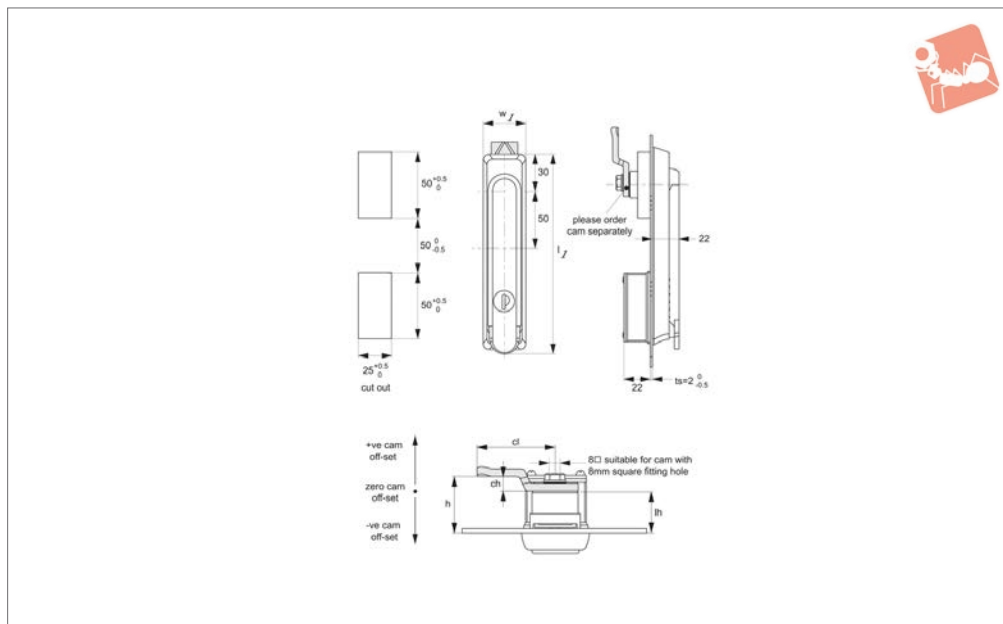
ov-WB1180-A-TPL0120-WB4590-A-T-swing-handles-products-selection-chart-b-rmh- Updated -25-10-2022



SWING HANDLES



## B1281



### Material

Body & Handle: polyamide PA6, black.  
 Cylinder lock: die cast zinc, chrome plated.  
**Supplied with:** Keys: two per lock.  
**Not supplied:** Cam: order separately.

### Technical Notes

Order cam separately.  
**Cams:** see suitable cam A0203, A0224 and A0240. Select „without projection“ cam

type.  
 Dimensions ch and cl relate to cam. Use formula to calculate ch (required cam off-set), and refer to cam selection chart;  
**ch = h - lh** where;  
**ch** = required cam off-set/height.  
**h** = grip length (distance between inside of latch face and front of cam).  
**lh** = body length of cam latch/lock to be

used (see product table below).  
**Rods & Guides:** to achieve 3-point latching - A0303, A0321, A0325.

### Tips

For use in electrical cabinets, telecom racks or enclosures. Max. panel thickness of 2mm. For use inside of cabinet gasket. Universal left/right.

Order No.	Finish	Lock type	Key type	l <sub>1</sub>	w <sub>1</sub>	lh
B1281.AW0010	Black, Plastic	Std. Cylinder	Keyed Alike	160	35	16

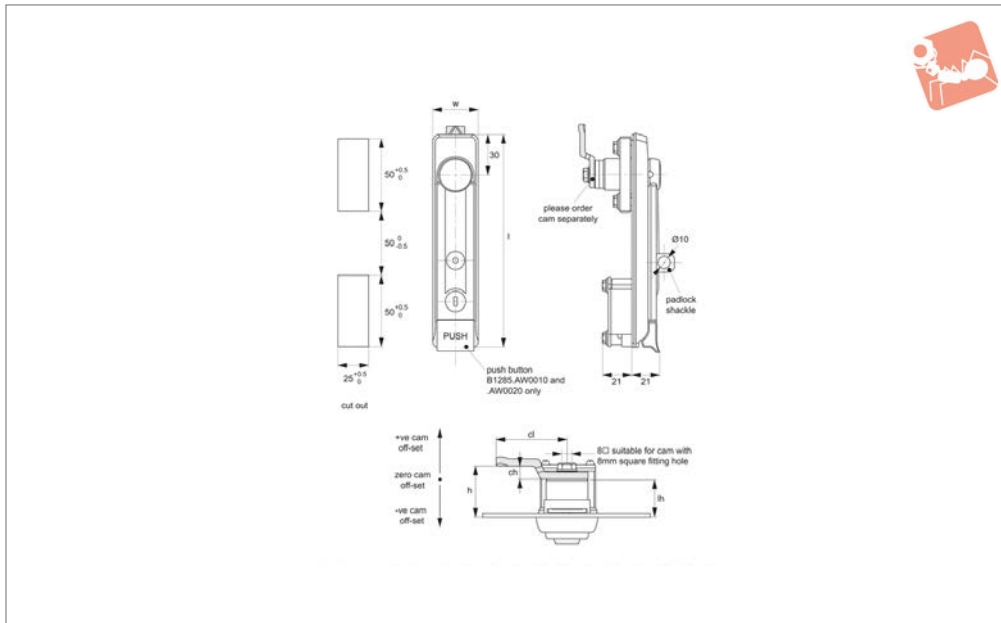




# Swing Handles - Cam Control

standard cylinder lock - padlockable - zinc

## Swing Handles



**B1285**

SWING HANDLES

### Material

Body & Handle: die cast zinc, black powder coated.

Cylinder lock: die cast zinc, chrome plated.

**Supplied with:** Keys: two per lock.

**Not supplied:** Cam: please order separately.

### Technical Notes

Order cam separately.

**Cams:** see suitable cam A0203, A0224 and A0240. Select „without projection“ cam type.

Dimensions ch and cl relate to cam. Use formula to calculate ch (required cam off-set), and refer to cam selection chart;

**ch = h - lh** where;

**ch** = required cam off-set/height.

**h** = grip length (distance between inside of

latch face and front of cam).

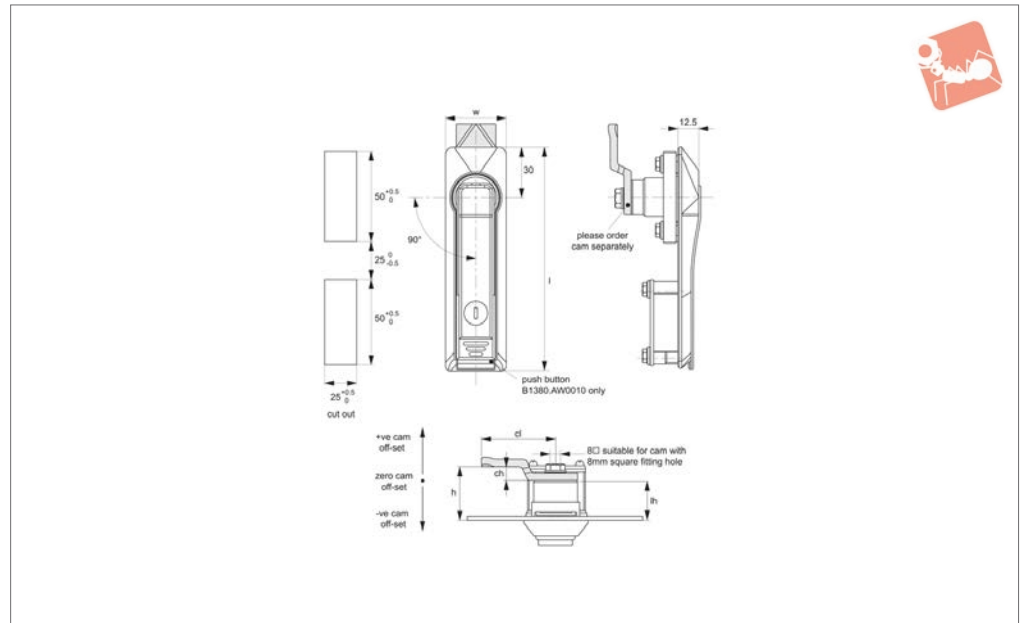
**lh** = body length of cam latch/lock to be used (see product table below).

**Rods & Guides:** to achieve 3-point latching - A0303, A0321, A0325.

Order No.	Type	Lock type	Padlockable	Key type	l	w	lh
<b>B1285.AW0010</b>	With Button	Std. Cylinder	No	Keyed Alike	158	34	19
<b>B1285.AW0020</b>	With Button	Std. Cylinder	Yes	Keyed Alike	158	34	19
<b>B1285.AW0030</b>	W/o Button	Std. Cylinder	No	Keyed Alike	158	34	19
<b>B1285.AW0040</b>	W/o Button	Std. Cylinder	Yes	Keyed Alike	158	34	19



## B1380



### Material

Body & Handle: die cast zinc, black painted.

Cylinder lock: die cast zinc, chrome plated.

**Supplied with:** Key: two per lock.

**Not supplied:** Cam: please order separately.

### Technical Notes

Order cam separately.

**Cams:** see suitable cam A0203, A0224 and A0240. Select „without projection“ cam type.

Dimensions ch and cl relate to cam. Use formula to calculate ch (required cam off-set), and refer to cam selection chart;

**ch = h - lh** where;

**ch** = required cam off-set/height.

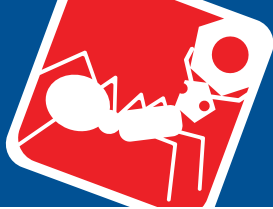
**h** = grip length (distance between inside of

latch face and front of cam).

**lh** = body length of cam latch/lock to be used (see product table below).

**Rods & Guides:** to achieve 3-point latching - A0303, A0321, A0325.

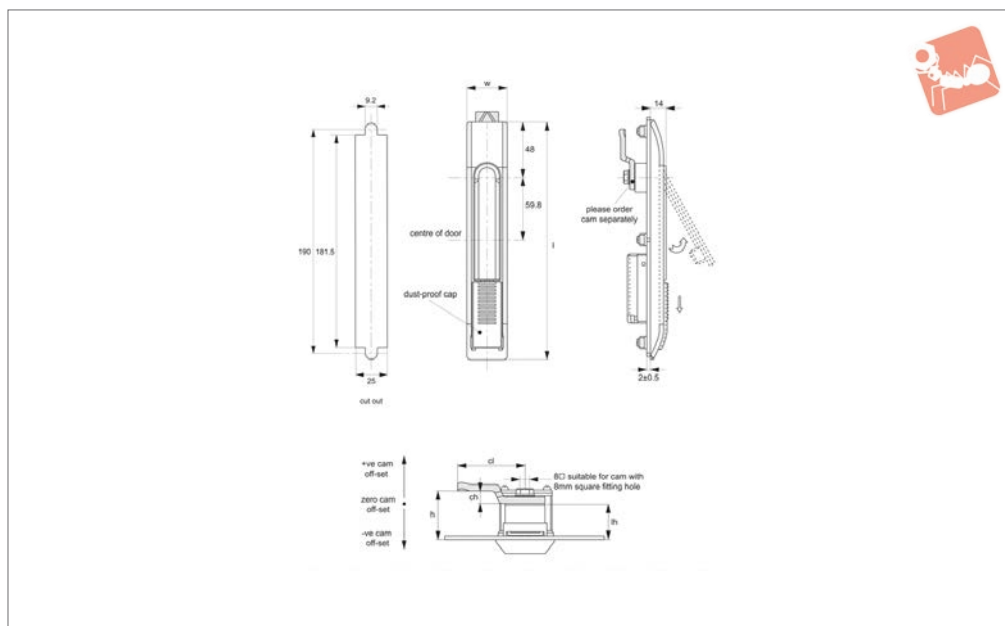
Order No.	Type	Lock type	Key type	l	w	lh
B1380.AW0010	With Button	Std. Cylinder	Keyed Alike	133	36	19
B1380.AW0020	W/o Button	Std. Cylinder	Keyed Alike	133	36	19



# Swing Handles - Cam Control

40mm euro cylinder - sliding cover - polyamide

## Swing Handles



**B1450**

SWING HANDLES

### Material

Body & Handle: die cast zinc, black powder coated.

Cylinder lock: die cast zinc, chrome plated.

**Supplied with:** Keys: two per lock.

**Not supplied:** Cam: order separately.

### Technical Notes

Order cam separately.

**Cams:** see suitable cam A0203, A0224 and A0240. Select „without projection“ cam type.

Dimensions ch and cl relate to cam. Use formula to calculate ch (required cam off-set), and refer to cam selection chart;

**ch = h - lh** where;

**ch** = required cam off-set/height.

**h** = grip length (distance between inside of latch face and front of cam).

**lh** = body length of cam latch/lock to be used (see product table below).

**Rods & Guides:** to achieve 3-point latching - A0303, A0321, A0325.

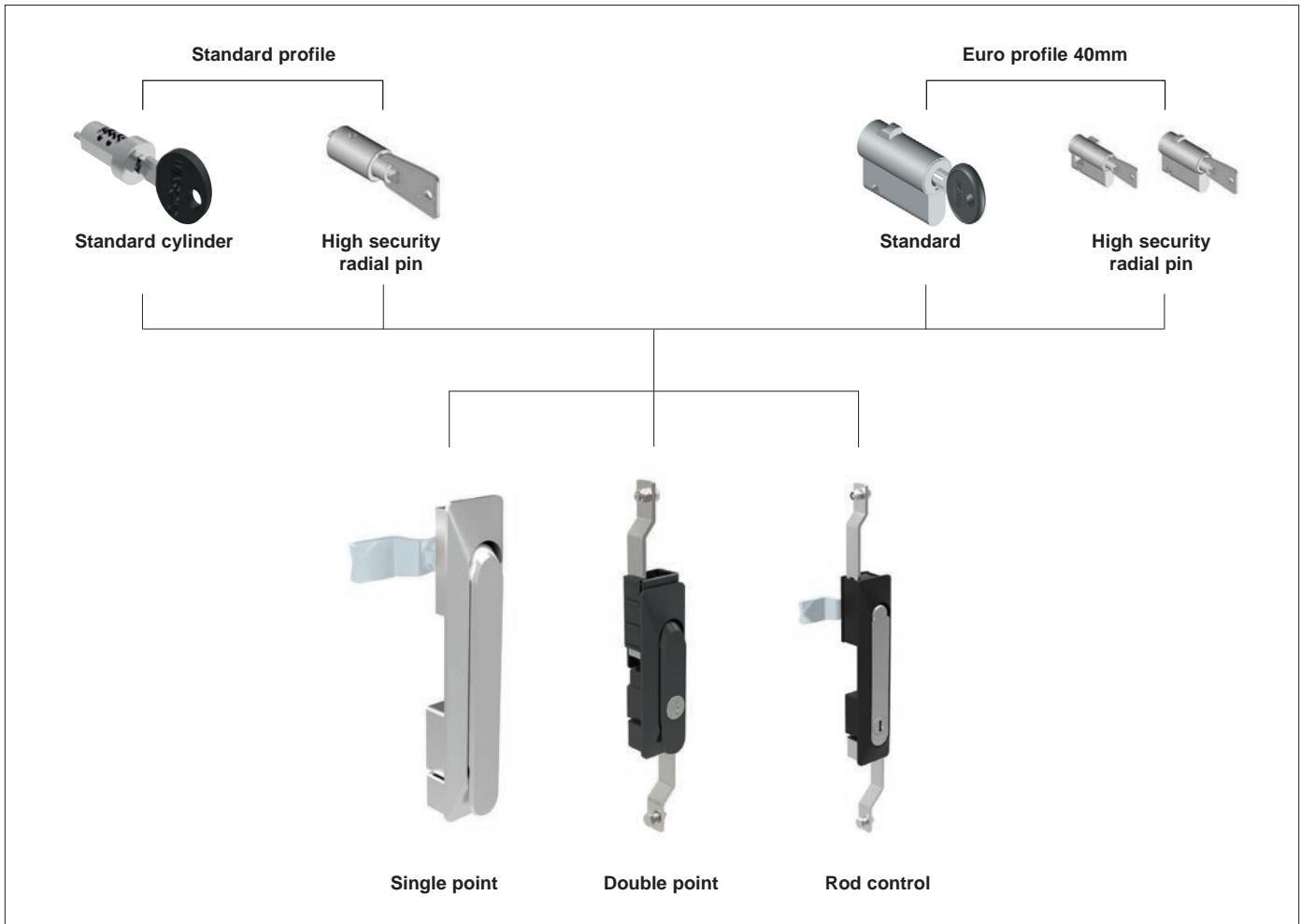
Order No.	Finish	Lock type	Key type	l	w	lh
<b>B1450.AW0010</b>	Black Coated	40 Euro	Keyed Alike	215.5	36	20



Wixroyd swing handles are a complete multi-point latching system with an ergonomic and stylish design, making them ideal for securing enclosures in applications as varied as telecoms, IT, electrical cabinets, special purpose machines, vending and gaming machines.

## Swing handles

SWING HANDLES



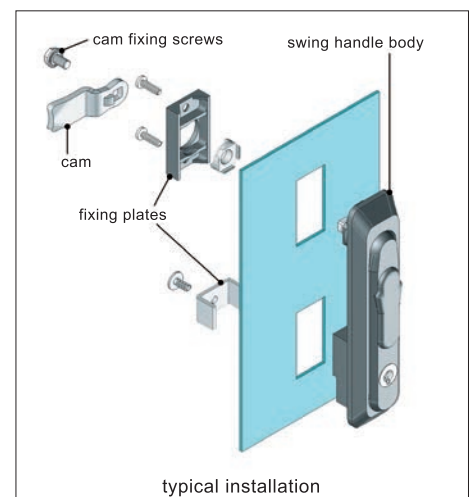
Easy Action - Upon unlocking, the handle lever springs forward and can be turned 90° to unfasten the cam and open the panel.

## Installation

With many models supplied with easy to use mounting brackets, Wixroyd swing handles can be installed with minimum fuss.

Follow these guides:

1. Prior to commencing ensure the swing handle body, mounting bracket plate and cam are unassembled. Due to their unique integral foam gasket Wixroyd swing handle latches do not require a separate gasket.
2. Present handle body to the installation cut out in the panel.
3. Position mounting bracket, and attach with the screws supplied.
4. Attach cam to swing handle body, ensuring its correct orientation to the panel frame.



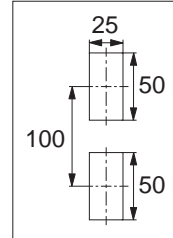


When selecting a Wixroyd Swing Handle for your application, you need to answer these questions:

1. Which installation cut out?
2. How many latching points are required?
3. Variety of material?
4. Gasketing and sealing?
5. Which locking and activation method?
6. Which accessories?
7. Which cam type and size?

Wixroyd Swing Handles are available in one of seven different cut out sizes, please refer to individual product details for availability.

If your application has a pre-existing cut out, then you need to select a replacement swing handle with a matching installation cut out.



**Step 1:**  
Which installation cut out?

### 1, 2, 3 or more

Wixroyd Swing Handles provide a completely flexible multi-point latching system, for either one, two, three or more points of securing a cabinet or enclosure, when used in conjunction with our latching rod sets A0303 to A0325.

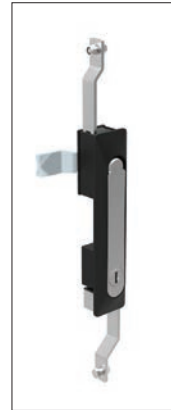
- Single point latching – Standard swing handle and single point cam.
- Double point latching – Swing handle with rod control mechanism (no cam).
- Three point or more latching – Swing handle with rod control mechanism and multi-point cam.



Single point Latching



Double point latching



Three point or more latching

**Step 2:**  
How many latching points?



Plastic PA6



Die-cast zinc

**Step 3:**  
Variety of materials

INSIDE GASKET

OUTSIDE GASKET

### Inside or outside the gasket

It is also important to consider whether the swing handle will be mounted inside or outside of the gasket. Refer to individual products for suitability.

IP65 RATED

### Application sealing protection

The unique design feature of a foam gasket incorporated into the housing of most of our swing handle latches, provides additional sealing in the application and contributes toward the IP65 (NEMA) rating of our swing handle latches.

**Step 4:**  
Gasketing and sealing



## Step 5: Which locking and actuation method?

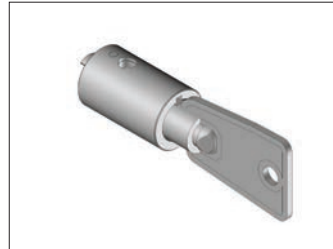
We offer a range of locking solutions with differing levels of security and anti-vandalism. Please refer to individual product table for availability.

The all brass construction and anti-drill centre of our high security radial pin locks provide excellent resistance to lock picking and vandalism.

With hundreds of thousands of possible key combinations the problem associated with duplicate keys is virtually eliminated.



Standard cylinder



High security radial pin



40mm Euro lock

## Step 6: Which accessories?

### Padlock hasps

On selected swing handle models we are able to offer the following additional features (please refer to individual product tables for availability).

### Gasketing

Wixroyd have a wide range of gaskets which can be used on enclosures, machine panels, doors etc. Refer to our products Z0550 through Z1002.

### Multi-point latching

Use parts A0303 to A0325 for suitable rod latching sets and rod guides.



Lock cover



Padlock hasp



Lock cover plus padlock hasp



A0325

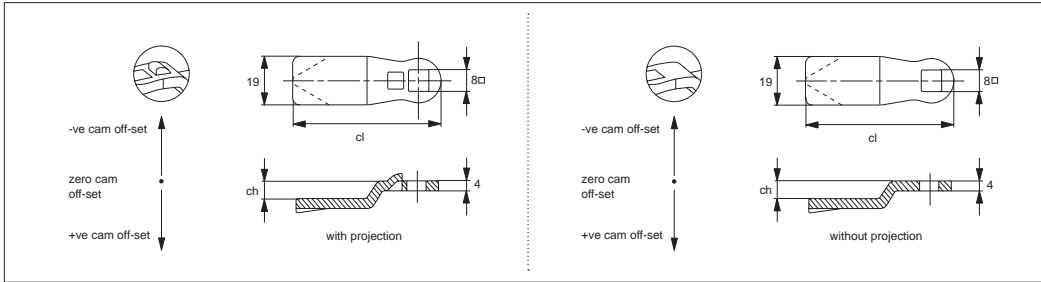


Gaskets



## With or without "Projection"

Different swing handles require cams either with or without projection.



With projection cams prevent turning of the cam over 45°, but is not suited to all swing handles. For correct projection type please see individual swing handle technical pages.

## Step 7:

### Which cam type and size?

Wixroyd cams are available in a number of different materials; zinc plated steel, stainless steel (AISI 304) and black plastic.

### Cam off-set (dimension ch)

To ensure your cam fully and correctly engages with the frame of your door the correct cam off-set must be selected. A cam off-set can be either negative (-ve) or positive (+ve).

### Cam length (dimension cl)

This impacts the reach of the cam to door frame and hence impacts positioning of swing handle for installation. Cam length is measured from the centre of the cam fixing hole to the cam's leading edge.

Most typically cams are 45 mm in length.

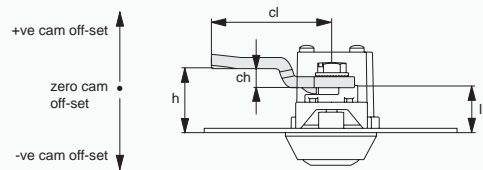
Use formula to calculate ch (required cam off-set), and refer to the cam selection chart.

$$ch = h - lh \text{ where;}$$

ch = the required cam off-set/height

h = grip length (distance between inside of latch face and front of cam).

lh = body length of swing handle to be used (see example below)



### Calculation of correct cam off-set

This is the most important aspect of the selection process.

### Example one

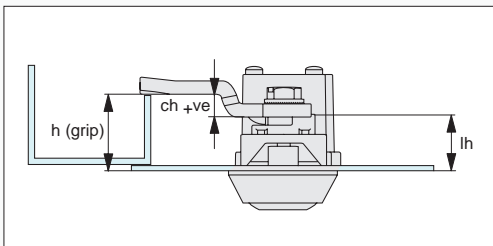
Cam body B1082.AW0010 has been selected for the application. If we refer to the data sheet for this part, suitable cams are parts A0203, A0210 or A0240 - "without projection".

Known application information:  $h = 26$ ,  $lh = 18$

Therefore;  $ch = 26 - 18 = +8$

Cam off set of +8 is required

Using the data tables for cams A0203, A0210 and A0240 we can select the following cams without projection with an off set of +8; A0203.AW5408 (steel), A0210.AW0428 (stainless) or A0240.AW1408 (three point cam).



### Example two

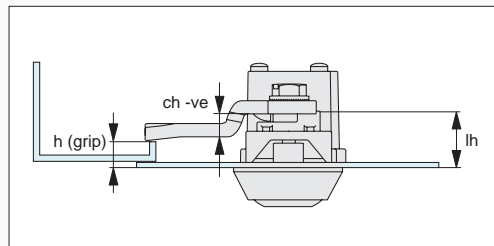
Cam body B1082.AW0010 has been selected for the application. If we refer to the data sheet for this part, suitable cams are parts A0203, A0210 or A0240 - "without projection".

Known application information:  $h = 14$ ,  $lh = 18$ .

Therefore;  $ch = 14 - 18 = -4$

The required cam off set is negative, -4 as the application's door frame is effectively shorter/lower than the length of the cam body

Using the data tables for cams A0203, A0210 and A0240 we can select the following cam without projection with an off set of -4; A0203.AW6404 (steel).



### Example of calculation of correct cam off-set





	Cylinder Profile	Body	Locking System	Use	Cam Type
	Std. Cylinder Lock 40mm Euro Padlockable Insert Driver Die-Cast Zinc Polyamide Plastic Stainless Steel Aluminium IP Rating 1-point 2-point 3-point Inside Gasketing Outside Gasketing With Projection W/O Projection	IP Rating 1-point 2-point 3-point Inside Gasketing Outside Gasketing With Projection W/O Projection			
<b>B1082 - Swing Handle - Padlockable</b> 	✓	✓	65	✓	✓
Cams: A0203, A0224, A0240 - Keys: Supplied					
<b>B1086 - Swing Handle - Dust Proof Cover</b> 	✓	✓	65	✓	✓
Cams: A0203, A0224, A0240 - Keys: Supplied					
<b>B1088 - Swing Handle - Padlockable</b> 	✓	✓	65	✓	✓
Cams: A0203, A0224, A0240 - Keys: Supplied					
<b>B1091 - Swing Handle - Dust Cover</b> 	✓	✓	65	✓	✓
Cams: A0203, A0224, A0240 - Keys: Supplied					
<b>B1092 - Swing Handle - Dust Proof Cover</b> 	✓	✓	65	✓	✓
Cams: A0203, A0224, A0240 - Keys: Supplied					
<b>B1281 - Swing Handle - Short</b> 	✓	✓	54	✓	✓
Cams: A0203, A0224, A0240 - Keys: Supplied					
<b>B1285 - Swing Handle - Padlockable</b> 	✓	✓	54	✓	✓
Cams: A0203, A0224, A0240 - Keys: Supplied					
<b>B1380 - Swing Handle - Short Version</b> 	✓	✓	54	✓	✓
Cams: A0203, A0224, A0240 - Keys: Supplied					

	Cylinder Profile	Body	Locking System	Use	Cam Type
	Std. Cylinder Lock 40mm Euro Padlockable Insert Driver Die-Cast Zinc Polyamide Plastic Stainless Steel Aluminium IP Rating 1-point 2-point 3-point Inside Gasketing Outside Gasketing With Projection W/O Projection	IP Rating 1-point 2-point 3-point Inside Gasketing Outside Gasketing With Projection W/O Projection			
<b>B2082 - Swing Handle - With Rod Control - Dust Proof Cover</b> 	✓	✓	54	✓	✓
Cams: A0215 - Keys: Supplied					
<b>B2084 - Swing Handle - With Rod Control - Magnetic Key</b> 	✓	✓	54	✓	✓
Cams: A0215 - Keys: Supplied					
<b>B2086 - Swing Handle - With Rod Control - Dust Proof Cover</b> 	✓	✓	54	✓	✓
Cams: A0215 - Keys: Supplied					
<b>B2088 - Swing Handle - With Rod Control - Padlockable</b> 	✓	✓	65	✓	✓
Cams: A0215 - Keys: Supplied					
<b>B2091 - Swing Handle - With Rod Control - Dust Proof Cover</b> 	✓	✓	65	✓	✓
Cams: A2015 - Keys: Supplied					
<b>B2181 - Swing Handle - With Rod Control</b> 	✓	✓	65	✓	✓
Cams: A0215 - Keys: Supplied					
<b>B2285 - Swing Handle - With Rod Control</b> 	✓	✓	65	✓	✓
Cams: A0215 - Keys: Supplied					
<b>B2380 - Swing Handle - with Rod Control</b> 	✓	✓	54	✓	✓
Cams: A0215 - Keys: Supplied					











# Wixroyd Cam Latches

## product selection charts

# Swing Handles & Paddle Latches

	Cylinder Profile	Body	Locking System	Use	Cam Type
	Std. Cylinder Lock 40mm Euro Padlockable Insert Driver	Die-Cast Zinc Polyamide Plastic Stainless Steel Aluminium	IP Rating 1-point 2-point 3-point	Inside Gasketing Outside Gasketing With Projection W/O Projection	
<b>B1450 - Swing Handles - Cam Control - Sliding Cover</b>	 ✓	✓	✓ ✓	✓	✓
Cams: A0203, A0224, A0240 - Keys: Supplied					
<b>B2450 - Swing Handles - Rod Control - Sliding Cover</b>	 ✓	✓	✓ ✓ ✓	✓	✓
Cams: N/A - Keys: Supplied					
<b>B4604 - Cam Latch - Concealed T-handle, Vertical</b>	 ✓	✓	65	✓	
Cams: Supplied - Keys: Padlockable					
<b>B4703 - Push-to-Close Paddle Latch - Pull-to-Open</b>	 ✓	✓	✓	✓	
Cams: N/A - Keys: Supplied					
<b>B4713 - Push-to-Close Paddle Latch - Pull-to-Open</b>	 ✓	✓	✓	✓	
Cams: N/A - Keys: Supplied					
<b>B4733 - Push-to-Close Paddle Latch - Pull-to-Open</b>	 ✓	✓	✓	✓	
Cams: N/A - Keys: Supplied					
<b>B4750 - Push-to-Close Paddle Latch - Pull-to-Open</b>	 ✓	✓	✓	✓	
Cams: N/A - Keys: Supplied					
<b>B4752 - Push-to-Close Paddle Latch - Pull-to-Open</b>	 ✓	✓	✓	✓	
Cams: N/A - Keys: Supplied					

	Cylinder Profile	Body	Locking System	Use	Cam Type
	Std. Cylinder Lock 40mm Euro Padlockable Insert Driver	Die-Cast Zinc Polyamide Plastic Stainless Steel Aluminium	IP Rating 1-point 2-point 3-point	Inside Gasketing Outside Gasketing With Projection W/O Projection	
<b>B4754 - Push-to-Close Paddle Latch - Pull-to-Open</b>	 ✓	✓	✓	✓	
Cams: N/A - Keys: Supplied					
<b>B4756 - Push-to-Close Paddle Latch - Pull-to-Open</b>	 ✓	✓	✓	✓	
Cams: N/A - Keys: Supplied					
<b>B4758 - Push-to-Close Paddle Latch - Pull-to-Open</b>	 ✓	✓	✓ ✓	✓	
Cams: N/A - Keys: Supplied					
<b>B4800 - Twist-to-Close Paddle Latch - Snap-On</b>	 ✓	✓	✓	✓	
Cams: N/A - Keys: Supplied					

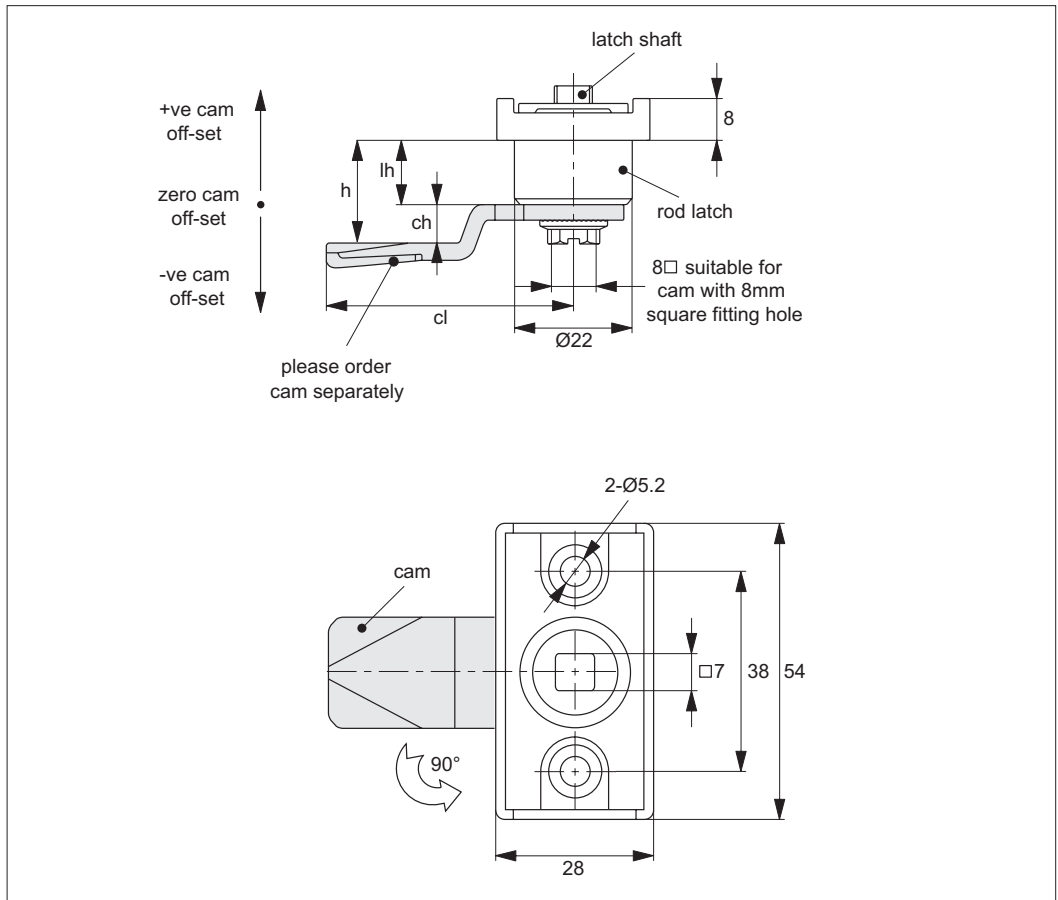
SWING HANDLES

ov-WB1450-A-T-WB4800-A-T-cam-latches-product-selection-chart-rmh-Updated -25-10-2022



### Swing Handles - Cam Control

Dimensional details for our cam control mechanism used in many of our Swing Handles **B1082** through **B1450**.

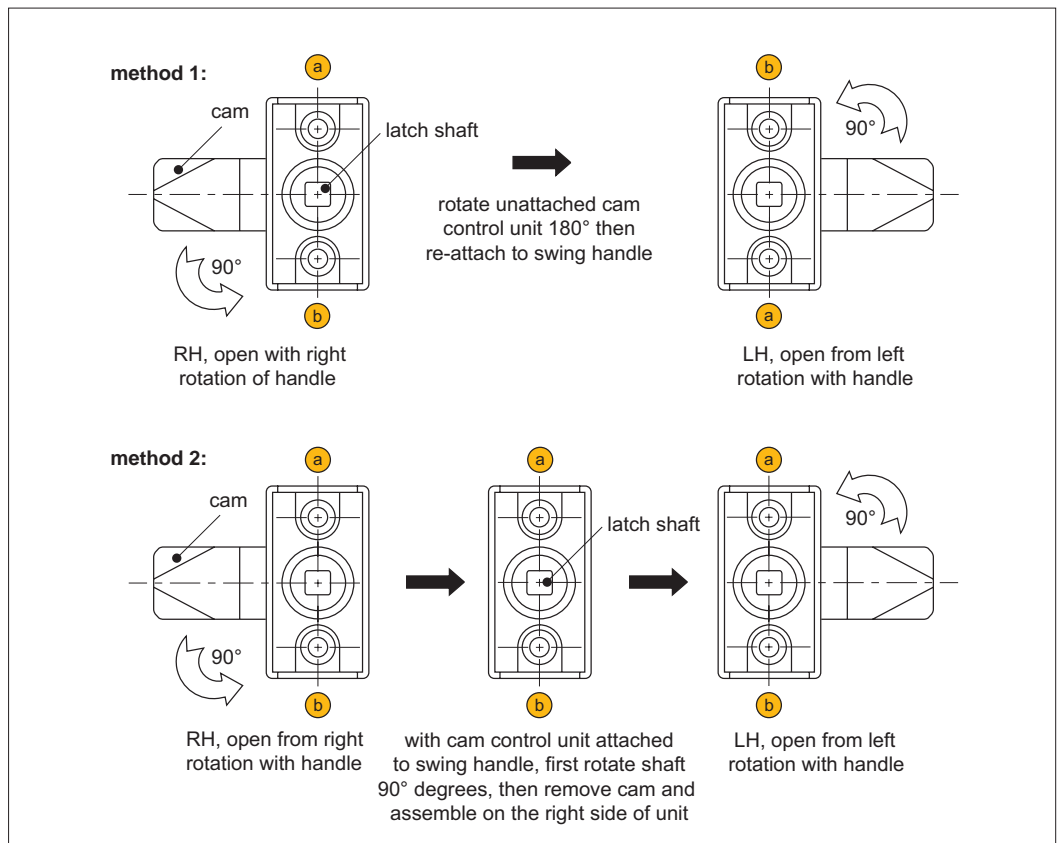


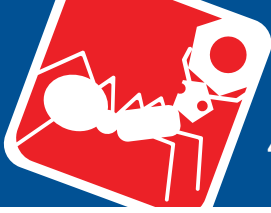
### Swing Handles - Cam Control - Universal

Swing Handles with cam control are for universal left or right hand use. Use one of the following two methods to switch the cam control mechanism from left or right, to suit your application. The descriptions below are for changing a cam control from left to right, to switch from right to left follow a reverse process.

**Method One:** with the cam control elements unattached from the swing handle body, simply rotate the cam control elements 180° degrees then re-attach to the swing handle body.

**Method Two:** this method can be used with the cam control elements already attached to the swing handle body. Firstly rotate the cam 90°, the cam control shaft will also rotate 90°. Secondly, remove the cam and re-attach on the right hand side.

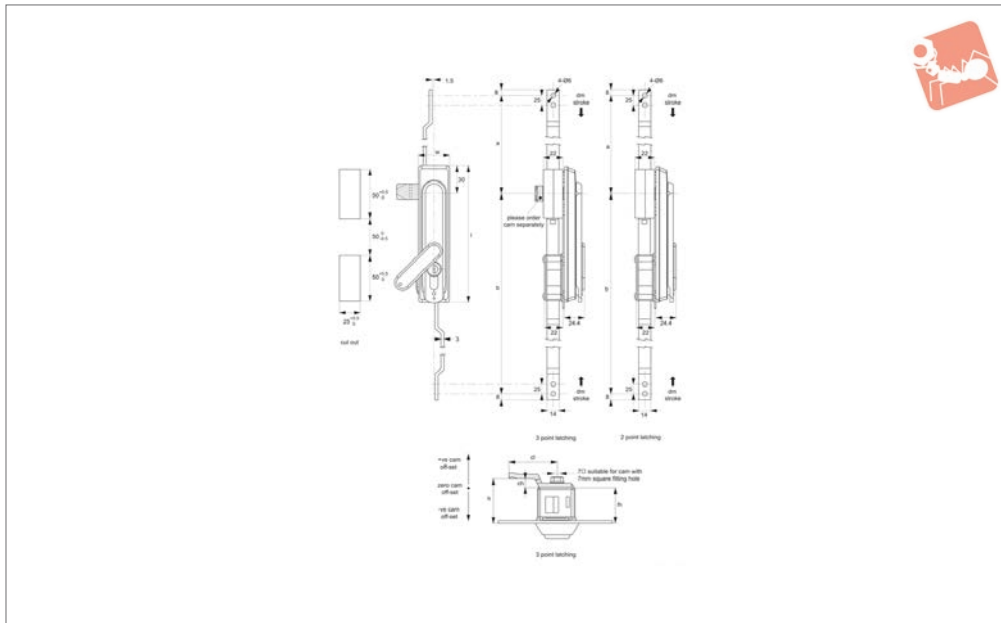




# Swing Handles - with Rod Control

40mm euro cylinder lock - dust cover - zinc or poly-

## Swing Handles



**B2082**

SWING HANDLES

### Material

**Type One:** Body & Handle: die cast zinc, black powder coated.

**Type Two:** Body: Polyamide PA6, black.  
Handle: die cast zinc, black powder coated.  
Cylinder lock: die cast zinc, chrome plated.  
Rod Control Mechanism: die cast zinc.

**Supplied with:** Keys: two per lock.

**Not supplied:** Cam: order separately.

### Technical Notes

All locks are **keyed alike**.

Order cam separately.

Three point latching model utilises rod control plus a cam.

Two point latching model cannot accommodate a cam.

**Cams:** see suitable cam A0215. Select „without projection“ cam type.

Dimensions ch and cl relate to cam. Use formula to calculate ch (required cam off-set), and refer to cam selection chart;

**ch = h - lh** where;

**ch** = required cam off-set/height.

**h** = grip length (distance between inside of

latch face and front of cam).

**lh** = body length of cam latch/lock to be used (see product table below).

**Rods & Guides:** to achieve 3-point latching - A0303, A0321, A0325.

### Tips

90° degree handle rotation combines with rod latch to open or close. Panel thickness 1-4mm. All the cast metal construction provides higher strength.

Order No.	Type	Body	Handle	Latching type	l	Padlockable	w	lh	a	b	dm stroke
<b>B2082.AW0010</b>	One	Zinc	Zinc	2 point	160	No	34	23	122	196	15
<b>B2082.AW0020</b>	One	Zinc	Zinc	2 point	160	Yes	34	23	196	122	15
<b>B2082.AW0110</b>	One	Zinc	Zinc	3 point	160	No	34	23	122	196	15
<b>B2082.AW0120</b>	One	Zinc	Zinc	3 point	160	Yes	34	23	196	122	15
<b>B2082.AW0310</b>	Two	Polyamide	Zinc	3 point	160	No	34	23	196	122	15
<b>B2082.AW0320</b>	Two	Polyamide	Zinc	3 point	160	Yes	34	23	196	122	15

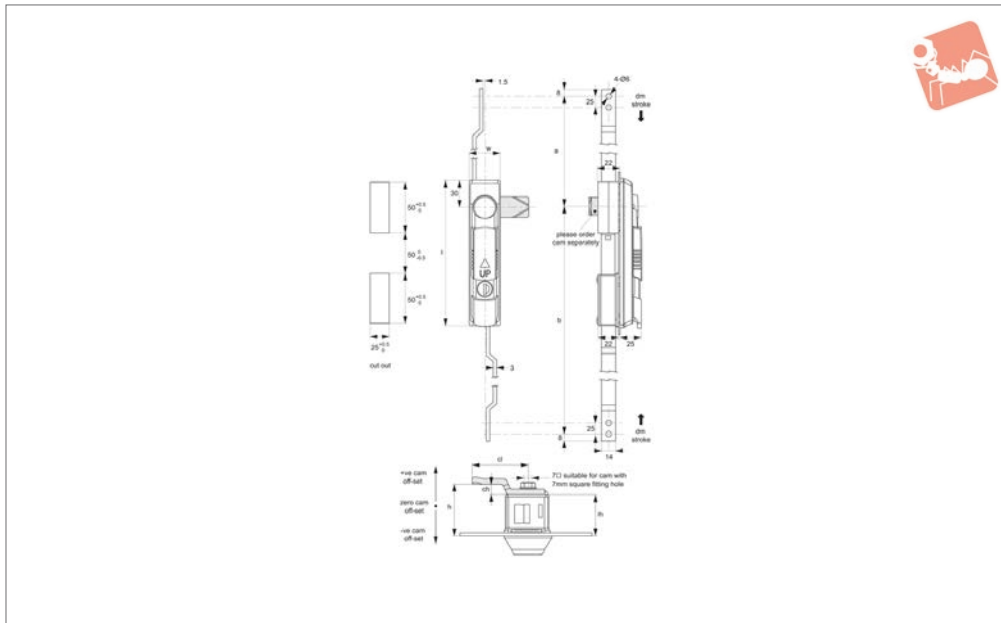




# Swing Handles - with Rod Control

standard cylinder lock - dust proof cover - zinc or

# Swing Handles



**B2086**

SWING HANDLES

**Material**

**Type One:** Body & Handle: die cast zinc, black powder coated.

**Type Two:** Body: Polyamide PA6, black. Handle: die cast zinc, black powder coated. Cylinder lock: die cast zinc, chrome plated.

Rod Control Mechanism: die cast zinc.

**Supplied with:** Keys: two per lock.

**Not supplied:** Cam: order separately.

**Technical Notes**

Order cam separately.

**Cams:** see suitable cam A0215. Select „without projection“ cam type.

Dimensions ch and cl relate to cam. Use formula to calculate ch (required cam off-set), and refer to cam selection chart;

**ch = h - lh** where;

**ch** = required cam off-set/height.

**h** = grip length (distance between inside of latch face and front of cam).

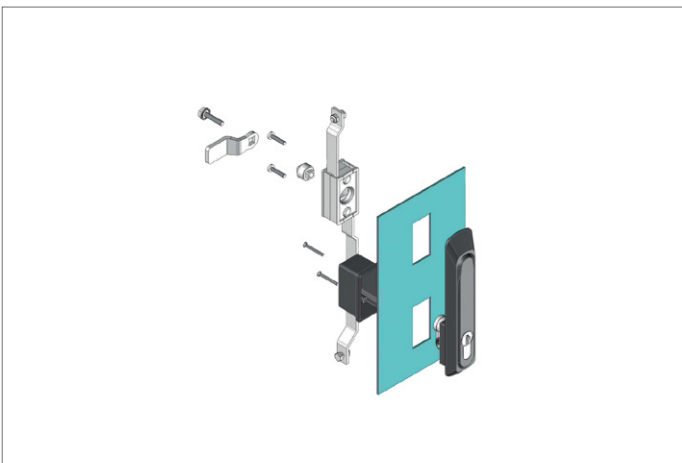
**lh** = body length of cam latch/lock to be used (see product table below).

**Rods & Guides:** to achieve 3-point latching - A0303, A0321, A0325.

**Tips**

90° degree handle rotation combines with rod latch to open or close. Suitable for panel thickness 1-4mm. For use inside of cabinet gasket.

Order No.	Type	Body	Handle	Lock type	Key type	l	w	lh	a	b	dm stroke
<b>B2086.AW0010</b>	One	Zinc	Zinc	Std. Cylinder	Keyed Alike	160	34	23	122	196	15
<b>B2086.AW0310</b>	Two	Polyamide	Zinc	Std. Cylinder	Keyed Alike	160	34	23	122	196	15



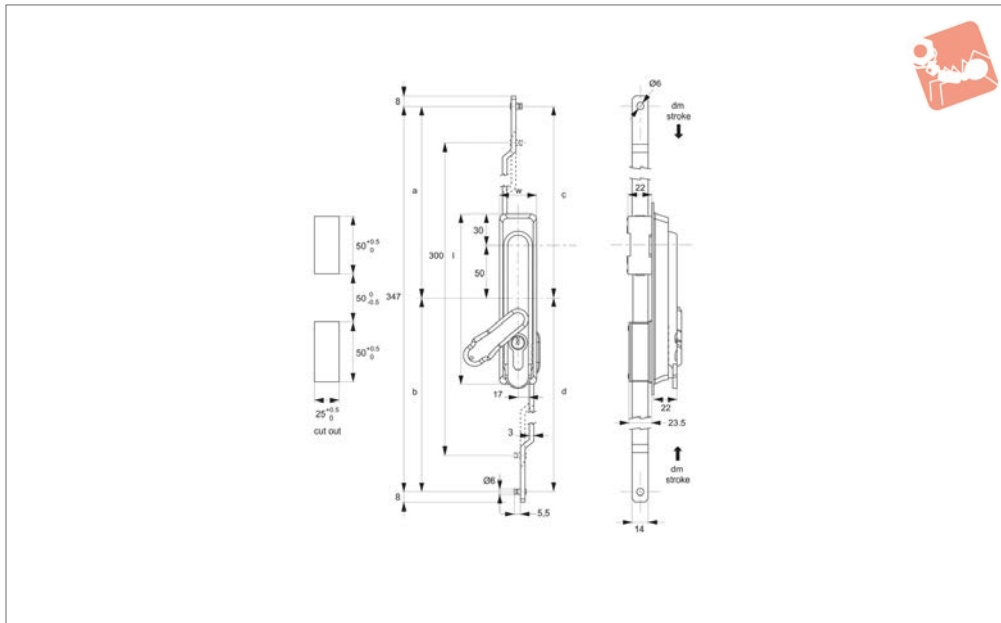




# Swing Handles - with Rod Control

40mm euro cylinder lock - dust cover - polyamide

## Swing Handles



**B2091**

SWING HANDLES

### Material

Body & Handle: polyamide (PA), black.  
 Cylinder lock: die cast zinc, chrome plated.  
 Rod Control Mechanism: die cast zinc.  
**Supplied with:** Keys: two per lock.  
**Not supplied:** Cam: order separately.

### Technical Notes

Suitable for two point latching.  
 Not suitable for three point latching.

### Tips

Also available with radial pin lock, subject

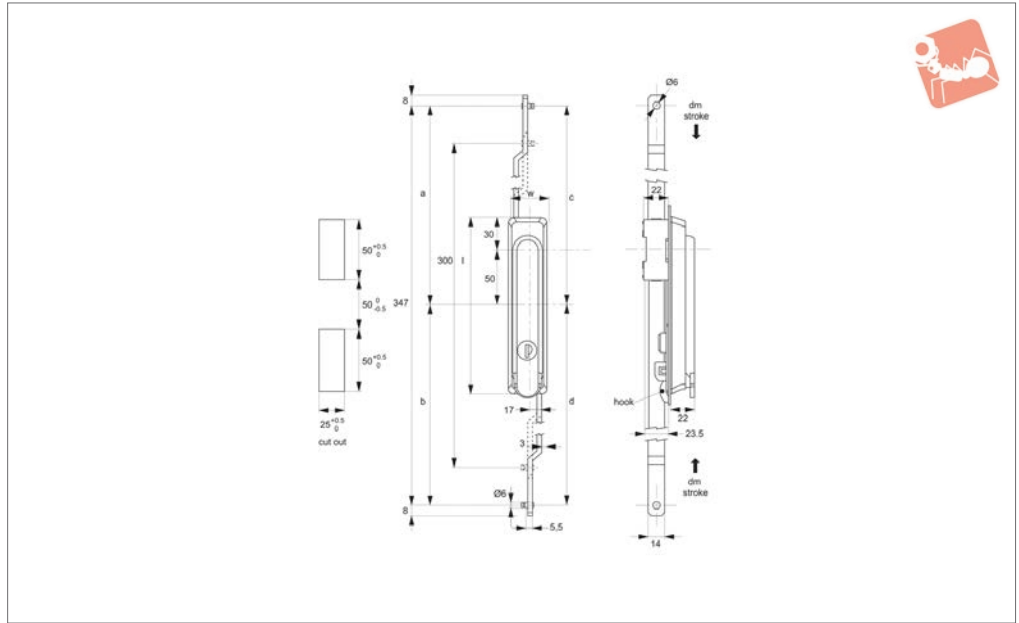
to min. order quantity.

Ideal for electrical cabinets, telecom racks or enclosures max. panel thickness of 2mm. For use inside of cabinet gasket. Universal left/right.

Order No.	Finish	Lock type	Key type	l	w	lh	a	b	c	d	dm stroke 135°	dm stroke 90°
<b>B2091.AW0020</b>	Black, Plastic	40 Euro	Keyed Alike	160	35	23	123.5	223.5	173.5	173.5	23.5	16



### B2181



**Material**

Body & Handle: polyamide (PA), black.  
 Cylinder lock: die cast zinc, chrome plated.  
 Rod Control Mechanism: die cast zinc.

**Supplied with:** Keys: two per lock.

**Not supplied:** Rods: order separately.

**Technical Notes**

Suitable for two point latching.  
 Not suitable for three point latching.

**Rods & Guides:** A0303, A0321, A0325.

**Tips**

Suitable for panel thickness 1 - 2mm.

Order No.	Finish	Latching type	Key type	l	w	lh	a	b	c	d	dm stroke 135°	dm stroke 90°
B2181.AW0010	Black, Plastic	2-Point	Keyed Alike	160	35	22	123.5	223.5	173.5	173.5	23.5	16

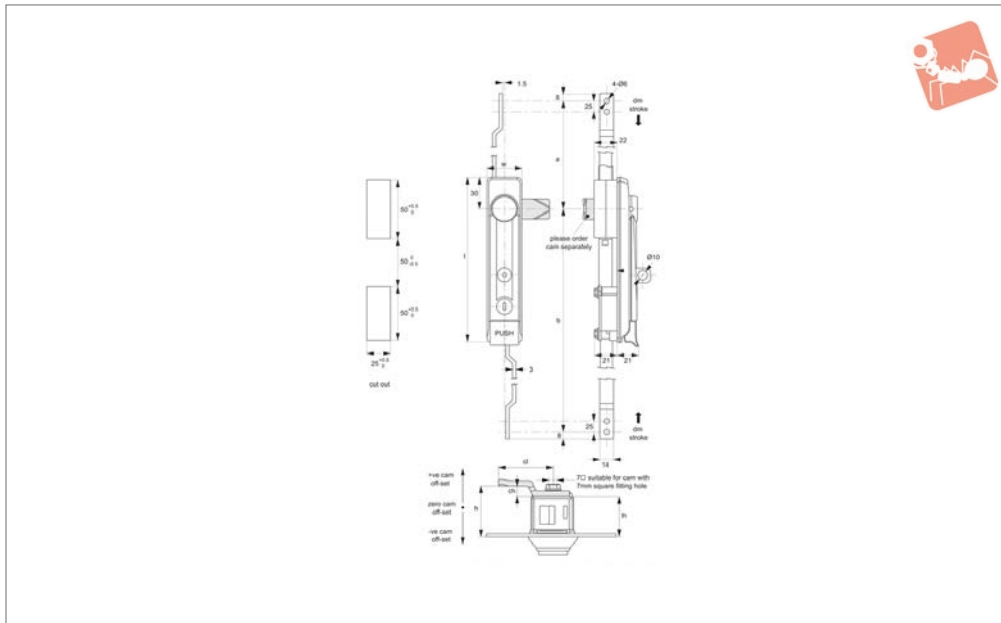




# Swing Handles - with Rod Control

standard cylinder - zinc

## Swing Handles



**B2285**

SWING HANDLES

### Material

Body & Handle: die cast zinc, black powder coated.

Cylinder lock: die cast zinc, chrome plated.

Rod Control Mechanism: die cast zinc.

**Supplied with:** Keys: two per lock.

**Not supplied:** Cam: order separately.

### Technical Notes

Order cam separately.

**Cams:** see suitable cam A0215. Select „without projection“ cam type.

Dimensions ch and cl relate to cam. Use formula to calculate ch (required cam off-set), and refer to cam selection chart;

**ch = h - lh** where;

**ch** = required cam off-set/height.

**h** = grip length (distance between inside of latch face and front of cam).

**lh** = body length of cam latch/lock to be used (see product table below).

**Rods & Guides:** to achieve 3-point latching - A0303, A0321, A0325.

**Padlock models:** suitable for padlock shackle max. diameter 10mm.

### Tips

Suitable for panel thickness 1-3mm

Order No.	Finish	Lock type	Key type	Button	l	Padlockable	w	lh	a	b	dm stroke
<b>B2285.AW0010</b>	Black Coated	Std. Cylinder	Keyed Alike	With	158	No	34	23	122	196	15
<b>B2285.AW0020</b>	Black Coated	Std. Cylinder	Keyed Alike	With	158	Yes	34	23	122	196	15
<b>B2285.AW0050</b>	Black Coated	Std. Cylinder	Keyed Alike	W/o	158	No	34	23	122	196	15
<b>B2285.AW0060</b>	Black Coated	Std. Cylinder	Keyed Alike	W/o	158	Yes	34	23	122	196	15

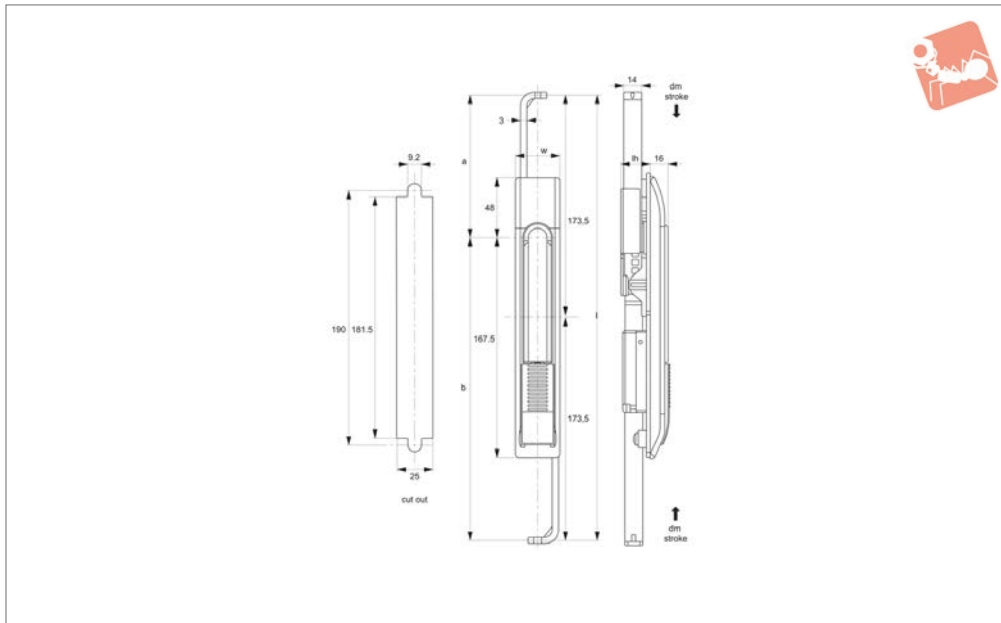




# Swing Handles - with Rod Control

40mm euro cylinder lock - sliding cover - polyamide

## Swing Handles



**B2450**

SWING HANDLES

### Material

Body: polyamide plastic, black.  
 Handle: die cast zinc, chrome plated.  
 Cylinder lock: die cast zinc, chrome plated.  
 Rod Control Mechanism: die cast zinc.  
**Supplied with:** Keys: two per lock.

bottom of panel. Not suitable for 3 point clamping.  
 Unlock handle to release, lift and turn to activate rod control mechanism and release panel.  
 Sliding lock cover prevents ingress of dust etc. into lock mechanism.

### Tips

Suitable for panel thickness 1 to 2mm.

### Technical Notes

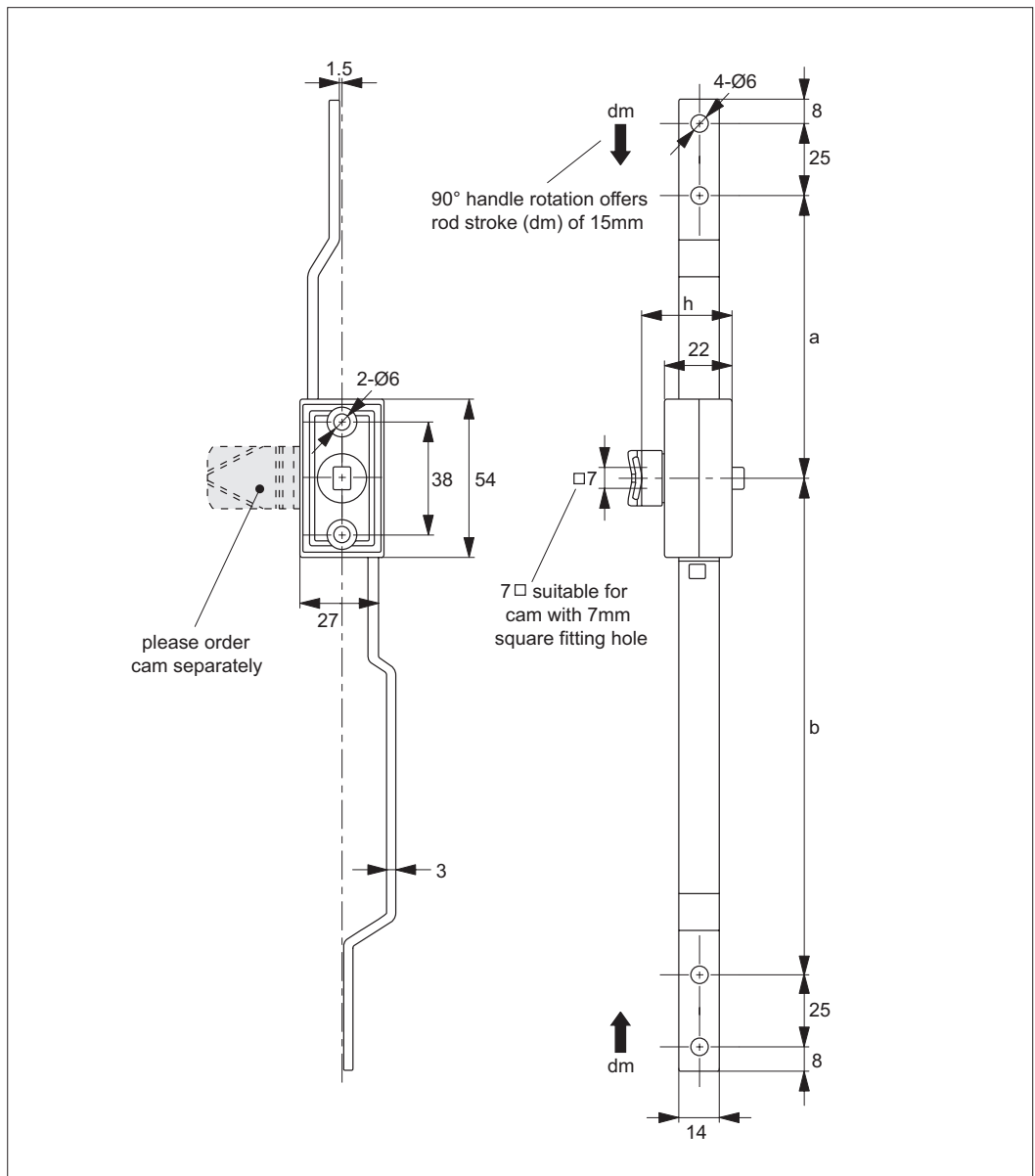
Achieves 2 point clamping at top and

Order No.	Finish	Lock type	Key type	l	w	lh	a	b	dm stroke 135°	dm stroke 90°
<b>B2450.AW0010</b>	Black Coated	40 Euro	Keyed Alike	347	36	20	113.8	233.2	23.5	16.0



### Swing Handles - Rod Control

Dimensional details for our rod control mechanism used in many of our Swing Handles **B2082** through **B2450**.



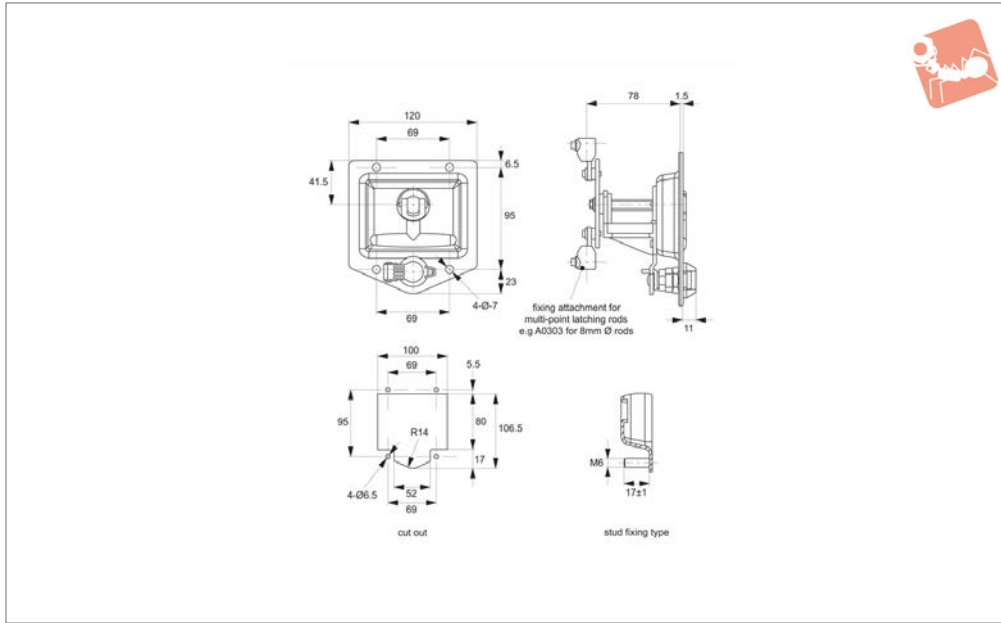
SWING HANDLES



# Cam Latch - Flush T-handle - Rod

vertical - heavy duty- fixed grip - standard cylinder

## Paddle Latches



**B4584**

PADDLE LATCHES

### Material

Body: stainless steel, AISI 303.  
 Handle: die cast zinc, chrome plated.  
 Cylinder lock: die cast zinc, chrome plated.  
**Supplied with:** Keys: two per lock.

### Technical Notes

Hole fixing type requires 4 off M 6 screws

(not supplied) for front mounting.  
 Stud fixing type has 4 off M 6 welding studs for rear mounting with M 6 nuts (not supplied).  
 Use with multi-point latching rods (e.g A0303), with 8mm Ø rods, to achieve two point latching of larger enclosure panels.

### Tips

Ideal for electricity sub-stations, HGVs and other road side vehicles.  
 T-handle is in the vertical position when locked. Universal left/right. For use inside of cabinet gasket.

Order No.	Mounting type	Lock type	Key type
B4584.AW0010	Hole Fixing	Std. Cylinder	Keyed Alike
B4584.AW0020	Stud Fixing	Std. Cylinder	Keyed Alike

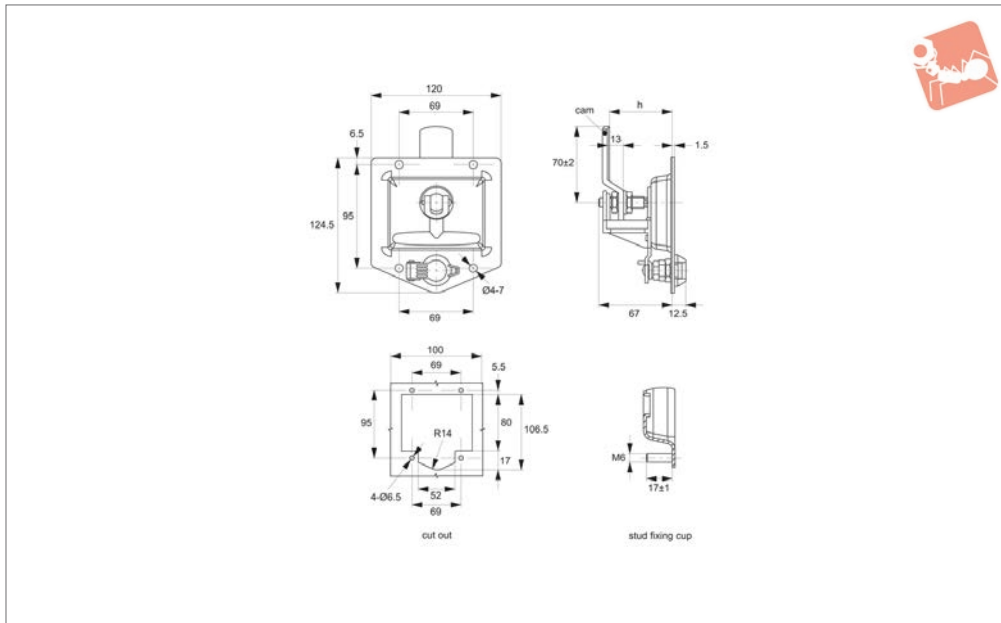




# Cam Latch - Flush T-handle

vertical - heavy duty - adjustable grip - standard

## Paddle Latches



**B4588**

PADDLE LATCHES

### Material

Body: stainless steel, AISI 303.  
 Handle: die cast zinc, chrome plated.  
 Cylinder lock: die cast zinc, chrome plated.  
**Supplied with:** Keys: two per lock.  
 Cam: stainless steel, AISI 303.

(not supplied), for front mounting.  
 Stud fixing type has 4 off M 6 welded studs for near mounting with M 6 nuts (not supplied).

locked.  
 For use inside of cabinet gasket.

### Technical Notes

Hole fixing type requires 4 off M 6 screws

### Tips

Ideal for electricity sub-stations, HGVs and other road side vehicles.  
 T-handle is in the vertical position when

Order No.	Mounting type	Lock type	Key type	h grip range
B4588.AW0010	Hole Fixing	Std. Cylinder	Keyed Alike	48 - 58
B4588.AW0020	Stud Fixing	Std. Cylinder	Keyed Alike	48 - 58



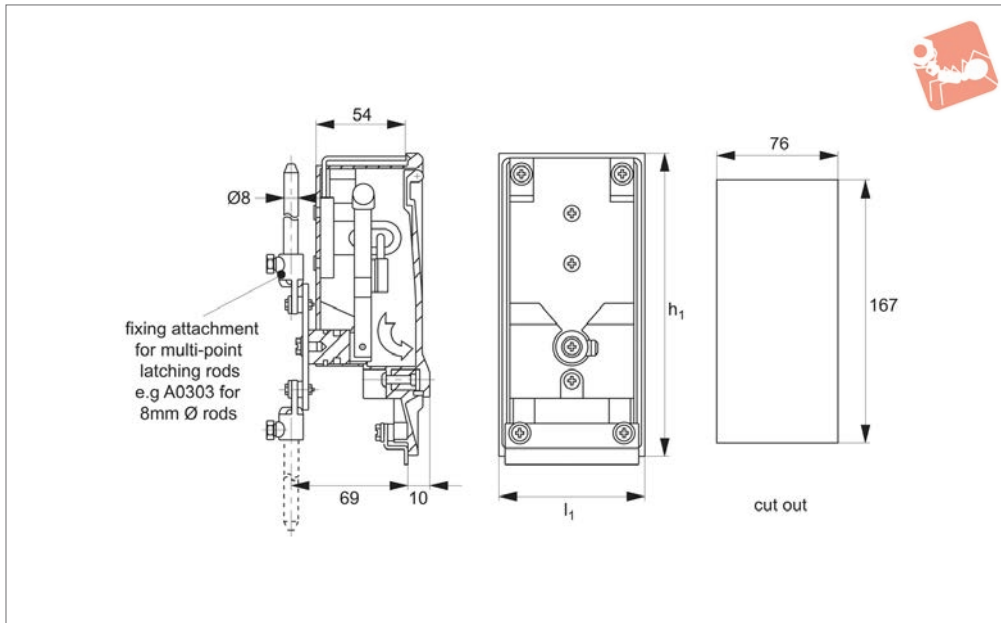




# Cam Latch - Concealed T-Handle

aluminium - rod control - padlock shackle

## Paddle Latches



**B4604**

PADDLE LATCHES

### Material

Body and Cover: aluminium, grey powder coated.

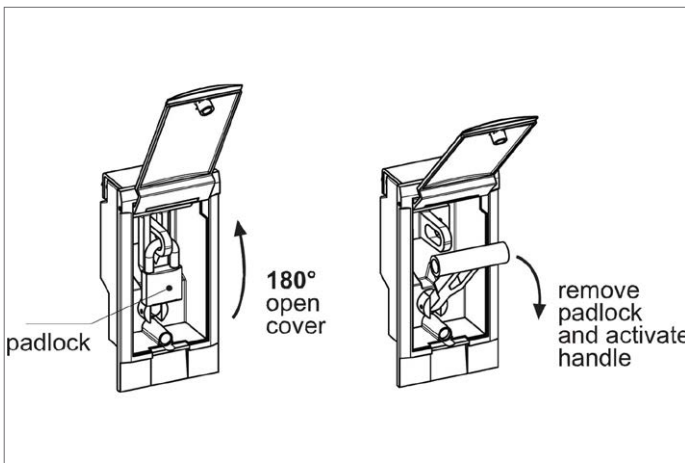
### Technical Notes

Designed for medium voltage electricity panels.

T-handle is in the vertical position when locked. For added security has padlock shackle to prevent lifting/turning of T-handle to suit max. padlock shackle of 9mm dia (not supplied). Use with multi-point latching rods (A0303)

with 8mm Ø rods, to achieve two point latching of larger enclosure panels. Handle secured to frame via mounting brackets (supplied).

Order No.	Body	h <sub>1</sub>	l <sub>1</sub>
B4604.AW0010	Aluminium	178	87





## Models available



**Cam Latch - Flush T-Handle with rod control for multi-point latching**



**Cam Latch - Flush T-Handle for single point latching**



**Cam Latch - Flush T-Handle with adjustable grip**



**Cam Latch - Concealed T-Handle for electricity panels**

## Features

### Variety of materials

- Steel.
- Stainless steel.
- Aluminium.
- Polyamide.

### Actuation/locking method

- Blank, without lock.
- Standard cylinder Lock.
- Padlockable T-Handle actuation.

## Applications

- Heating & ventilation.
- Generators.
- Compressors.
- Machine covers.

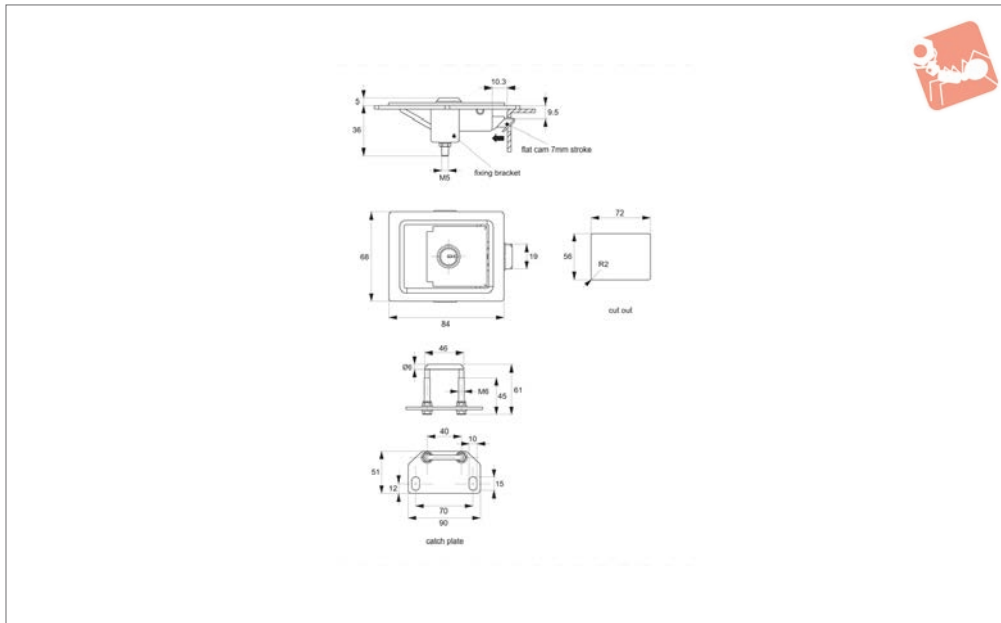
- Electric panels.
- Off-road equipment.
- Industrial transport.
- Special equipment cases.



# Push To Close Paddle Latches

pull to open - slam action - standard cylinder lock -

## Paddle Latches



### B4703

PADDLE LATCHES

#### Material

Body and Handle: steel, black powder coated.  
Cylinder lock: die cast zinc, zinc plated.

**Supplied with:** Keys: two per lock.

**Not Supplied:** Catch plate: please order separately.

#### Technical Notes

Spring loaded, slam action handle. Installation via 72x56mm cut out.

#### Order No.

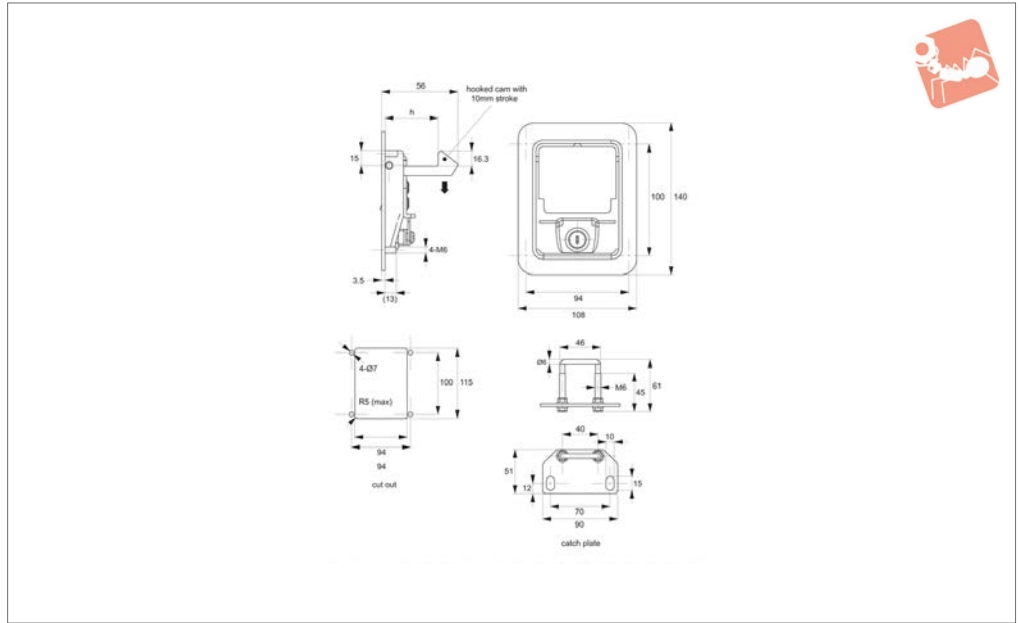
B4703.AW0010  
B4703.AW0020

#### Lock type

Std. Cylinder  
Blank - No Lock



## B4713



### Material

Body and Handle: steel, black powder coated.

Cylinder lock: die cast zinc, zinc plated.

**Supplied with:** Keys: two per lock.

**Not Supplied:** Catch plate: please order separately.

### Technical Notes

Stud fixing type has 4 off M 6 welded studs for rear mounting with M 6 nuts (not supplied).

Universal left/right. For use inside of cabinet gasket.

### Tips

Fully integrated lock, latch and flush fitting paddle handle, ideal for generators, compressors, electric panels and doors.

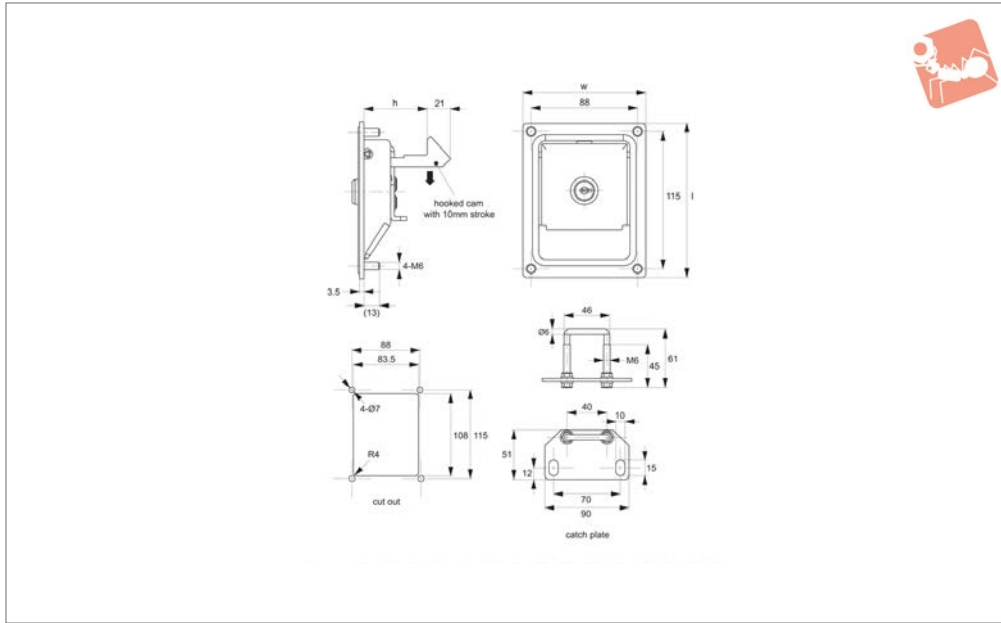
Order No.	Lock type	Type	h
<b>B4713.AW0010</b>	Std. Cylinder	Latch	31.5
<b>B4713.AW0020</b>	Std. Cylinder	Latch	44.0
<b>B4713.AW0030</b>	Std. Cylinder	Latch	55.0
<b>B4713.AW0040</b>	Blank - No Lock	Latch	31.5



# Push To Close Paddle Latches

pull to open - slam action - standard cylinder lock -

## Paddle Latches



**B4733**

PADDLE LATCHES

### Material

Body and Handle: steel, black powder coated.

Cylinder lock: die cast zinc, zinc plated.

**Supplied with:** Keys: two per lock.

**Not Supplied:** Catch plate: please order

separately.

### Technical Notes

Stud fixing type has 4 off M 6 welded studs for rear mounting with M 6 nuts (not supplied).

### Tips

Fully integrated lock, latch and flush fitting paddle handle, ideal for generators, compressors, electric panels and doors.

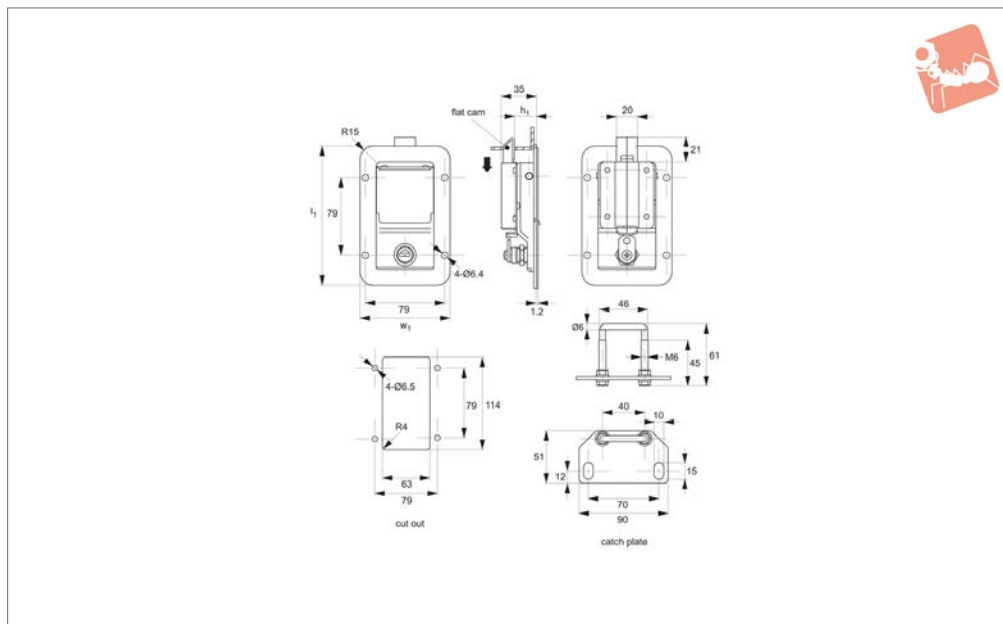
Order No.	Lock type	Type	h	l	w
B4733.AW0010	Std. Cylinder	Latch	30.5	127	101.5
B4733.AW0020	Std. Cylinder	Latch	43.0	127	101.5
B4733.AW0030	Std. Cylinder	Latch	54.0	127	101.5
B4733.AW0040	Blank - No Lock	Latch	30.5	127	101.5
B4733.AW0050	Blank - No Lock	Latch	43.0	127	101.5



PADDLE LATCHES



## B4750



### Material

Body and Handle: stainless steel, AISI 304.  
Cylinder lock: die cast zinc, chrome plated.

**Supplied with:** Keys: two per lock.

**Not Supplied:** Catch plate: please order separately.

### Technical Notes

Hole fixing type requires 4 off M 6 screws (not supplied) for front mounting.

Spring loaded, slam action handle.

Universal left/right. For use inside of cabinet gasket.

### Tips

Fully integrated lock, latch and flush fitting paddle handle, ideal for generators, compressors, electric panels and doors.

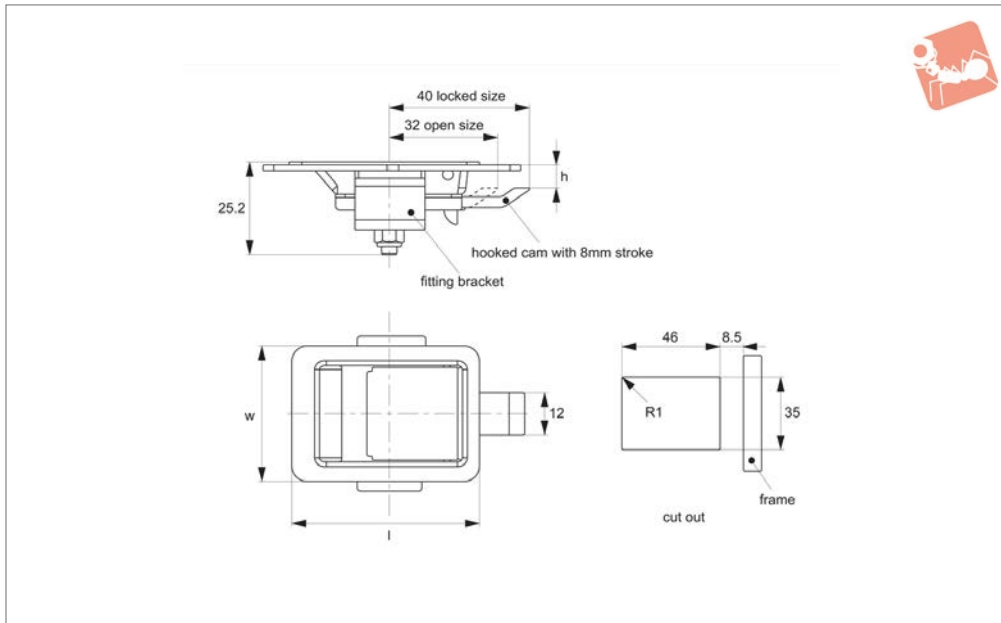
Order No.	Type	$h_1$	$l_1$	$w_1$
B4750.AW0010	With Lock	22	140	90
B4750.AW0020	Blank - No Lock	22	140	90



# Push To Close Paddle Latches

pull to open - slam action - stainless steel

## Paddle Latches



**B4752**

PADDLE LATCHES

### Material

Body and Handle: stainless steel, AISI 304.

### Technical Notes

Spring loaded, slam action handle.  
Fitting via mounting bracket. Without

secondary lock, for easy access.

Universal left/right. For use inside of cabinet gasket.

Catch plate B4752.AW0310 available as separate order item.

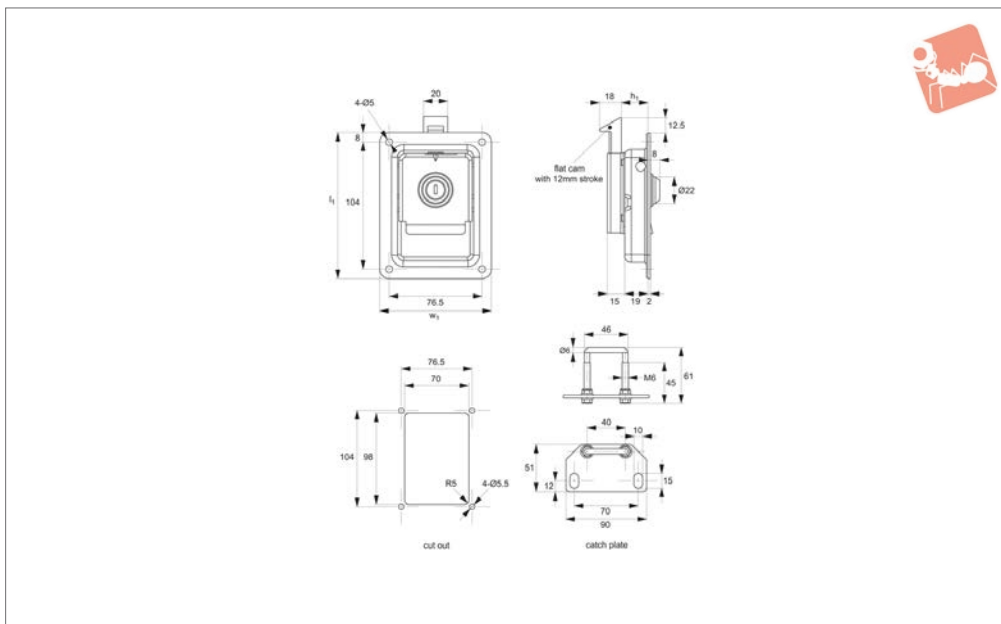
### Tips

Fully integrated lock, latch and flush fitting paddle handle, ideal for generators, compressors, electric panels and doors.

Order No.	h	l	w
B4752.AW0010	5	56	42



## B4756



### Material

Body and Handle: stainless steel, AISI 304, or zinc plated steel.

Cylinder lock: die cast zinc, chrome plated.

**Supplied with:** Keys: two per lock.

**Not Supplied:** Catch plate: please order separately.

### Technical Notes

Spring loaded, slam action handle.

Hole fixing type requires 4 off M 6 screws (not supplied) for front mounting.

Universal left/right. For use inside of cabinet gasket.

### Tips

Fully integrated lock, latch and flush fitting paddle handle, ideal for generators, compressors, electric panels and doors.

Order No.	Lock type	Material	Key type	$h_1$	$l_1$	$w_1$
<b>B4756.AW0010</b>	Std. Cylinder	Steel	Keyed Alike	22	120	92.5
<b>B4756.AW0020</b>	Std. Cylinder	Stainless Steel	-	22	120	92.5

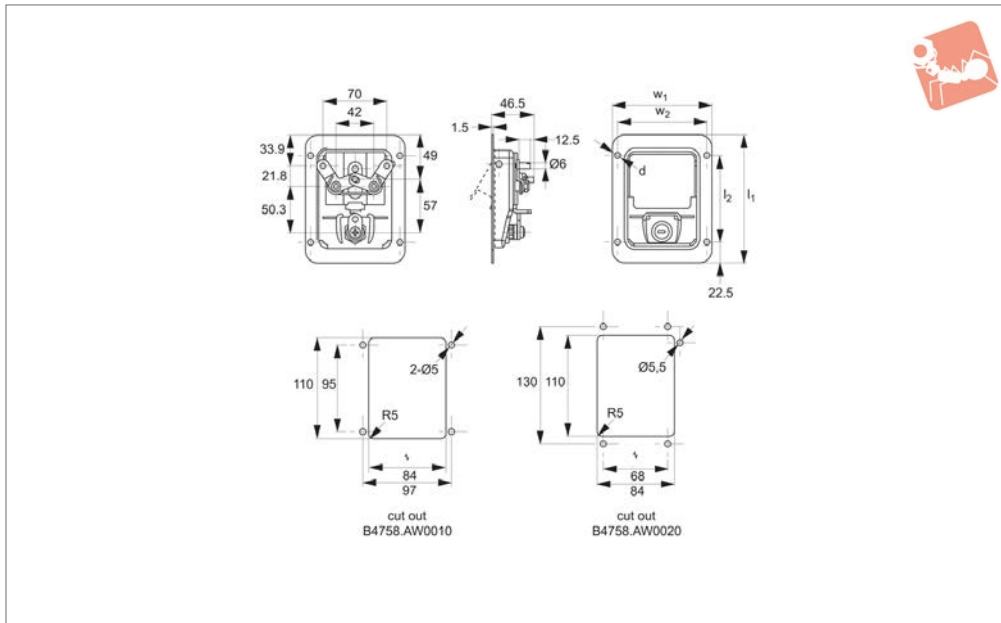




# Push To Close Paddle Latches

pull to open - standard cylinder lock - stainless steel

## Paddle Latches



### B4758

PADDLE LATCHES

#### Material

Body and Handle: stainless steel, AISI 303.  
Cylinder lock: die cast zinc, chrome plated.

**Supplied with:** Keys: two per lock.

**Not Supplied:** Catch plate: please order separately.

#### Technical Notes

Hole fixing type requires 4 off M 5 screws (not supplied) for front fixing.

Universal left/right. For use inside of cabinet gasket.

#### Tips

Fully integrated lock, latch and flush fitting paddle handle, ideal for generators, compressors, electric panels and doors.

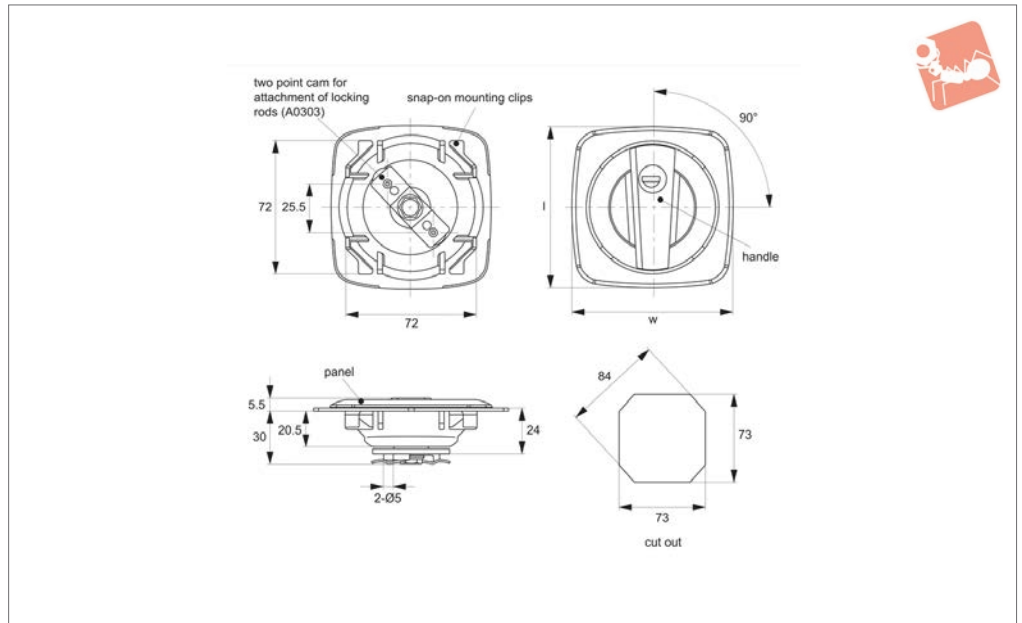
Order No.	Lock type	Type	Key type	d	l <sub>1</sub>	l <sub>2</sub>	w <sub>1</sub>	w <sub>2</sub>
B4758.AW0010	Std. Cylinder	Latch	Keyed Alike	5.5	140	95	108	97
B4758.AW0020	Std. Cylinder	Latch	Keyed Alike	5.0	146	130	146	68



PADDLE LATCHES



## B4800



### Material

Body and Handle: Polyamide plastic (PA), black.

Cylinder lock: die cast zinc, chrome plated.

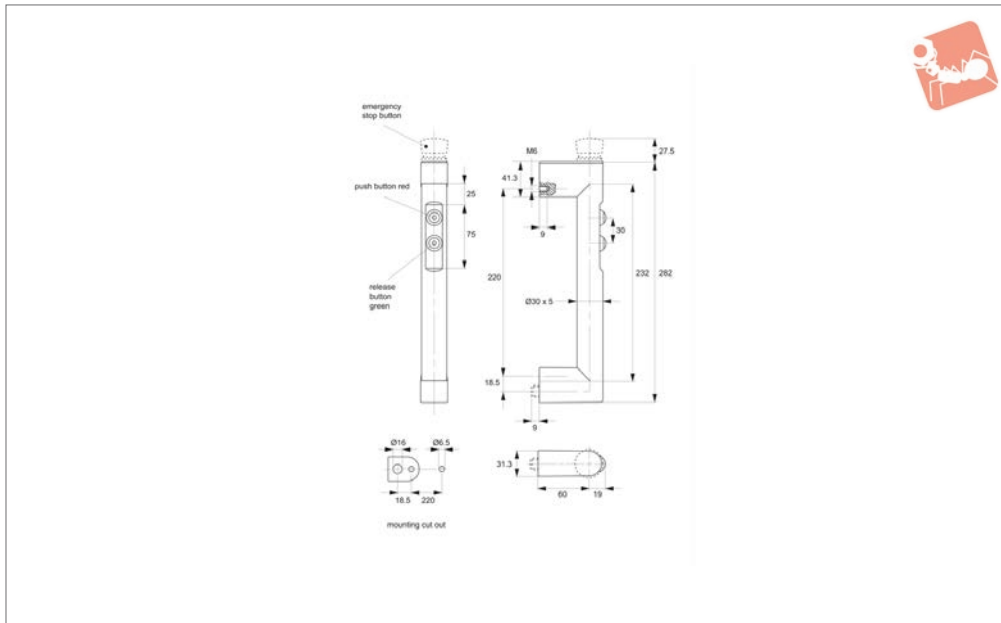
**Supplied with:** Keys: two per lock.

### Technical Notes

Easy snap on fix mounting. Make cut out in panel as shown, and simply push in handle, snap on clips will spring back to securely mount handle.

Attach multi-point latching rods (A0303) to achieve two-point latching of cupboards, cabinets or enclosures. Suitable for panel thickness 1 - 1.5mm.

Order No.	Lock type	Key type	l	w
B4800.AW0010	Std. Cylinder	Keyed Alike	88.5	88.5



### B8100

ELECTRONIC HANDLES

#### Material

**Type one:** Handle shank: glass reinforced polyamide PA 6, black.

Handle tube: Ø30x5mm of aluminium ALMgSi 0,5, black anodised, fine ground. Switch Functions: none, blank handle.

**Type two:** Handle shank: glass reinforced polyamide PA 6, black.

Handle tube: Ø30x5mm of aluminium ALMgSi 0,5, black anodised, fine ground. Switch functions: 2 push buttons.

**Type three:** Handle shank: glass reinforced polyamide PA 6, black.

Handle tube: Ø30x5mm of aluminium ALMgSi 0,5, black anodised, fine ground. Switch functions: two push buttons, 1

emergency stop button.

#### Technical Notes

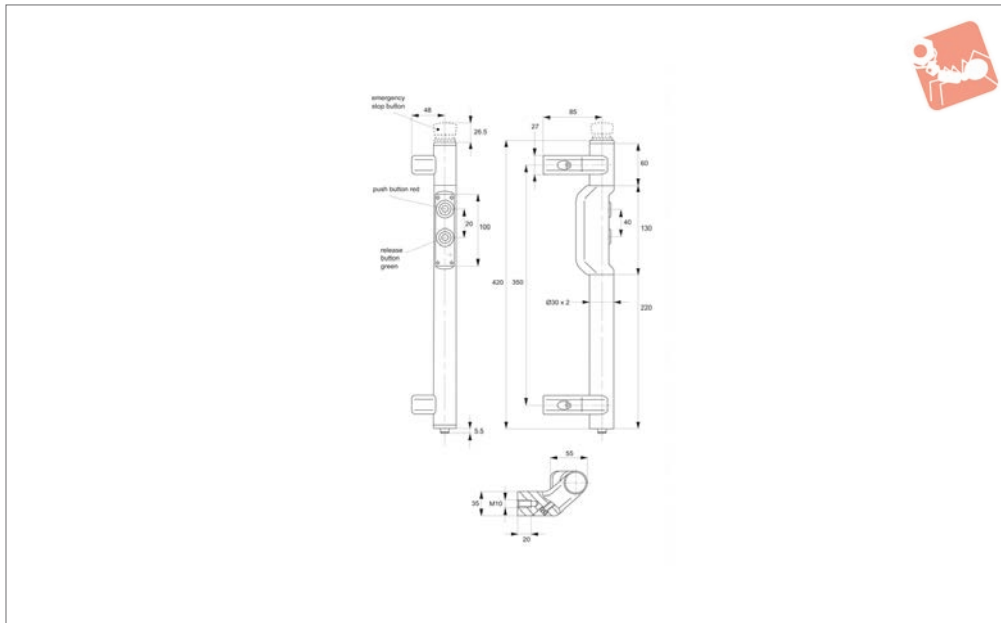
When used with connection cable no. B8880, conforms to IP65 rating. Use with door solenoid lock no. B8900 for full electronic locking of machine guards and panels.

Order No.	Type	Switch function	Coupling	a	l
<b>B8100.AC0018</b>	Type One	No Switch - Blank, to Act as a Counter Handle	-	220	282
<b>B8100.AC0318</b>	Type Two	2 Push Buttons	8-pole (M12x1)	220	282
<b>B8100.AC0418</b>	Type Three	2 Push Buttons, 1 Emergency Stop Button	12-pole (M12x1)	220	282



**B8100 Functional handle – electronic**

Wixroyd part no.	B8100.AC0318	B8100.AC0418
Description	2 push buttons	2 push buttons, 1 emergency stop button
Switching voltage – emergency stop button	-	1-42 V AC/DC 100 mA
Switching voltage – push buttons	24V AC/DC 1A	24V AC/DC 1A
Operating voltage LED	24 U DC	24 U DC
Connection type	8 pole, M12 x 1	12 pole, M12 x 1
Connector assignment (plug side view)		
Emergency stop buttons (2 NC contacts)	N/A	
Push button red (1 changeover contact)		
Push button green (2 NC contacts)		



### B8120

ELECTRONIC HANDLES

#### Material

**Type one:** Handle shank: aluminium, vibration ground natural colour anodized.

Handle tube: Ø35x2,0mm of stainless steel 1.4301.

Switch functions: none, blank handle.

**Type two:** Handle shank: aluminium, vibration ground natural colour anodized.

Handle tube: Ø35x2,0mm of stainless steel 1.4301.

Switch functions: 2 push buttons.

**Type three:** Handle shank: aluminium, vibration ground natural colour anodized.

Handle tube: Ø35x2,0mm of stainless steel 1.4301.

Switch functions: two push buttons, 1

emergency stop button.

#### Technical Notes

When used with connection cable no. B8880, conforms to IP65 rating.

Use with door solenoid lock no. B8900 for full electronic locking of machine guards and panels.

Order No.	Type	Coupling Type	Switch function	Hand
B8120.AC0000	Type One	-	No Switch - Blank, to Act as Counter Handle.	Right
B8120.AC0102	Type Two	8-pole (M12x1)	2 Push Buttons	Right
B8120.AC0105	Type Three	12-pole (M12x1)	2 Push Buttons, 1 Emergency Stop Button	Right
B8120.AC0122	Type Two	8-pole (M12x1)	2 Push Buttons	Left
B8120.AC0125	Type Three	12-pole (M12x1)	2 Push Buttons, 1 Emergency Stop Button	Left



**B8120 Functional handle – electronic**

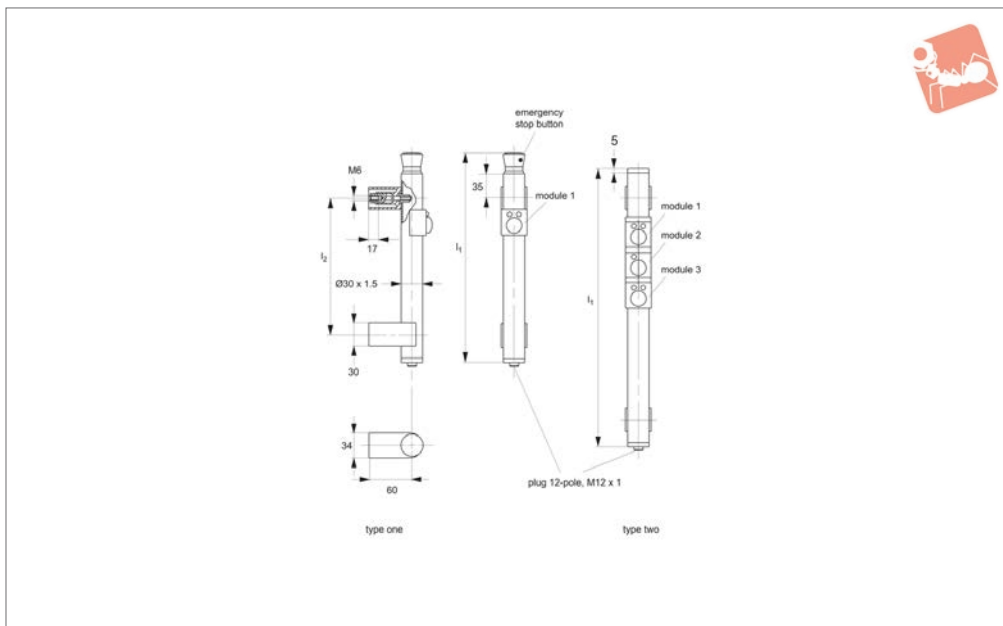
Wixroyd part no.	B8120.AC0102 & .AC0102	B8120.AC0105 & .AC0125
Description	2 push buttons	2 push buttons, 1 emergency stop button
Switching voltage – emergency stop button	N/a	1-42 V AC/DC 100 mA
Switching voltage – push buttons	24V AC 1A	24V AC 1A
Operating voltage LED	24V DC	24 DC
Connection type	8 pole, M12 x 1	12 pole, M12 x 1
Connector assignment (plug side view)		
Emergency stop buttons (2 NC contacts)	N/A	
Push button red (1 changeover contact)		
Push button green (2 NC contacts)		



# Functional Handle - Electronic

configurable controls

## Electronic Handles



**B8320**

ELECTRONIC HANDLES

### Material

**Type one:** Handle shank: extruded aluminium, ALMgSi 0,5, black anodized with matte gloss finish.

Handle tube: Ø30x1,5mm of aluminium ALMgSi 0,5, black anodised with matte gloss finish or from stainless steel 1.4301, precision ground.

Tube ends: reinforced polyamide PA 6, black.

Switch functions: 1 push button, 1 emergency stop button.

**Type two:** Handle shank: extruded aluminium, ALMgSi 0,5, black anodized with matte gloss finish.

Handle tube: Ø30x1,5mm of aluminium AIMgSi 0,5, black anodised with matte gloss finish or from stainless steel 1.4301, precision ground.

Tube ends: reinforced polyamide PA 6,

black.

Switch Functions: 3 push buttons/modules.

### Technical Notes

When used with connection cable no. B8880, conforms to IP65 rating.

Use with door solenoid lock no. B8900 for full electronic locking of machine guards and panels.

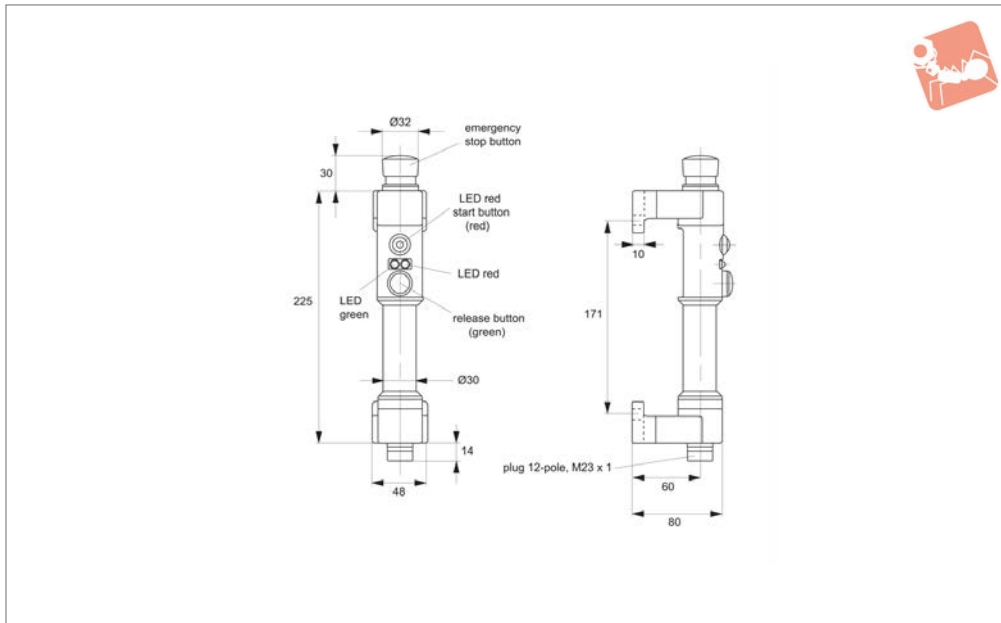
Order No.	Lock type	Coupling Type	Material	l <sub>1</sub>	l <sub>2</sub>
<b>B8320.AC0304</b>	Type One	12-pole (M12x1)	Aluminium	416	300
<b>B8320.AC0337</b>	Type One	12-pole (M12x1)	Stainless	416	300
<b>B8320.AC0404</b>	Type Two	12-pole (M12x1)	Aluminium	484	400
<b>B8320.AC0437</b>	Type Two	12-pole (M12x1)	Stainless	484	400



**B8320 Functional handle – electronic**

Wixroyd part no.	B8320.AC0304 & .AC0337	B8320.AC0404 & .AC0437
Description	2 push buttons	2 push buttons, 1 emergency stop button
Switching voltage	24V DC max. 30V AC/36V DC max. 1.5A	24V DC max. 30V AC/36V DC max. 1.5A
Operating voltage LED	24V DC +/-15%	24V DC +/-15%
Connection type	12 pole, M12 x 1	12 pole, M12 x 1
Connector assignment (plug side view)		
Emergency stop buttons		N/A
Push button 1 – Module 1		
Push button 2 – Module 2	N/A	
Push button 3 – Module 3	N/A	
Module inscription	N/A	All three modules





### B8380

ELECTRONIC HANDLES

#### Material

**Type one:** Handle shank: high strength glass fibre reinforced polyamide PA 6, black.  
 Handle tube: turned POM (polyoxymethylene).  
 Switch functions: none, blank handle.  
**Type two:** Handle shank: high strength

glass fibre reinforced polyamide PA 6, black.  
 Handle tube: turned POM (polyoxymethylene).  
 Switch functions: 1 release button, 1 start button, 1 dual channel emergency stop button (2 NC contacts).

#### Technical Notes

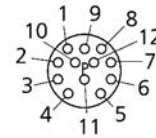
When used with connection cable no. B8880, conforms to IP65 rating.  
 Use with door solenoid lock no B8900 for full electronic locking of machine guards and panels.

Order No.	Type	Coupling Type	Switch function	a	l
B8380.AC0018	Type One	-	No Switch - Blank, to Act as Counter Handle	171	225
B8380.AC0518	Type Two	12-pole (M23x1)	1 Release Button, 1 Start Button, @1 Dual Channel Emergency Stop Button	171	225

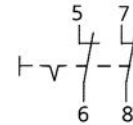


<b>Wixroyd part no.</b>	<b>B8380.AC0578</b>
Description	Type two
Switching voltage	Type two
Operating voltage LED	24V DC +/- 15%
Connection type	12-pole (M23 x 1)

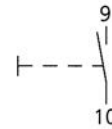
Connector assignment  
(plug side view)



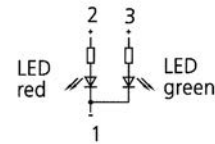
Emergency stop button  
(2 NC contacts)



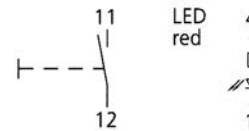
Release button (no contact)



LED's



Start button





# Coupling Cable

for functional handles B8100 to B8400

## Electronic Handles



**B8880**

ELECTRONIC HANDLES

**Material**

Cable spot welded to coupling.

**Technical Notes**

Ready made cable for use with our func-

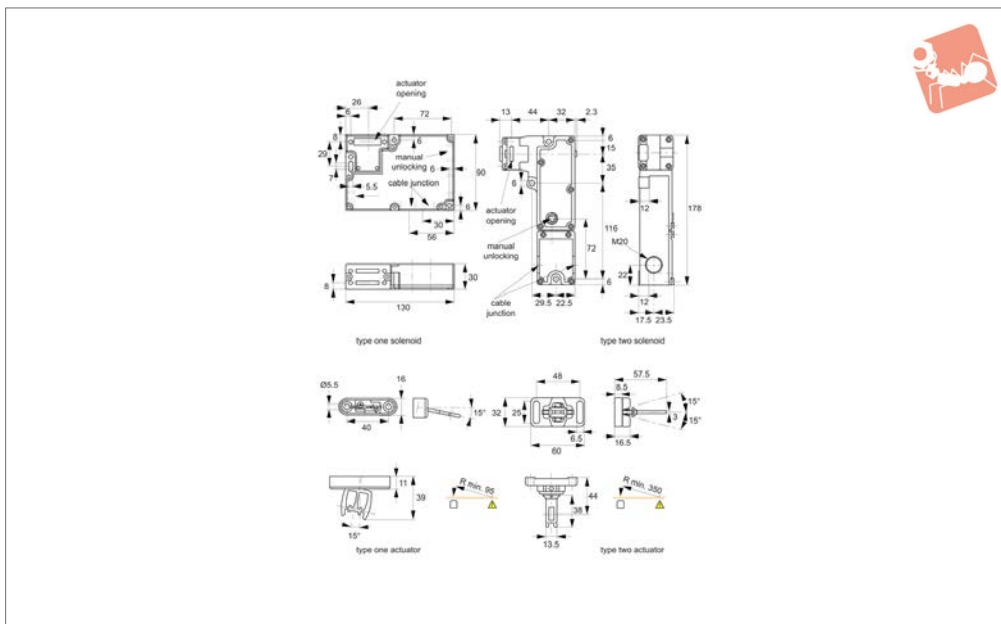
tional handle range B8100 to B8380.

Please review individual handles for more suitable coupling types.

Order No.	Coupling Type	Thread	Cable length m
<b>B8880.AC0080</b>	8-Pole	M12x1	5
<b>B8880.AC0082</b>	8-Pole	M12x1	10
<b>B8880.AC0120</b>	12-Pole	M12x1	5
<b>B8880.AC0122</b>	12-Pole	M12x1	10
<b>B8880.AC0125</b>	12-Pole	M23x1	10



## B8900



### Material

**Type one:** Enclosure: glass fibre reinforced plastic.

Actuator and locking bolt: stainless steel 1.4301.

Contact material: silver.

**Type two:** Enclosure: glass fibre reinforced plastic.

Actuator and Locking Bolt: zinc plated steel/zinc die cast, chromated.

Contact material: silver.

### Technical Notes

The switching element and actuator of the solenoid interlock are functionally separated and are only brought together on opening or closing of the door/enclosure. A latching bolt provides connection and prevents the actuator being disconnected from interlock.

- Power to Unlock: spring pressure of the latching bolt prevents the actuator from being disconnected. When the de-interlocking coil is energised, the interlock is released and the enclosure can be opened.
- Power to Lock: operation is the reverse of the Power to Unlock mode.

### Important Notes

Two interlock modes are available:

Order No.	Type	Components	Modes of interlock
B8900.AC0105	Type One	Solenoid Interlock	Power to Unlock
B8900.AC0110	Type One	Solenoid Interlock	Power to Lock
B8900.AC0120	Type One	Actuator	-
B8900.AC0205	Type Two	Solenoid Interlock	Power to Unlock
B8900.AC0210	Type Two	Solenoid Interlock	Power to Lock
B8900.AC0220	Type Two	Actuator	-

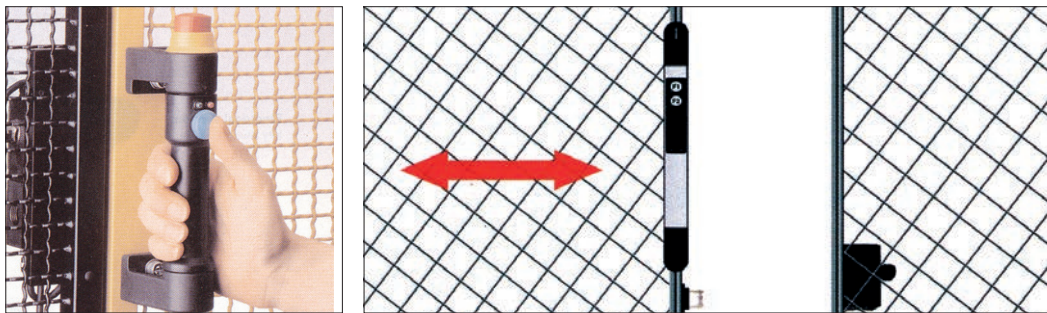


Wixroyd's functional handles **B8100 - B8900** provide the ideal combination of ergonomics, productivity and safety for machine guards, enclosures or wherever there is a machine/operator interface.

Wixroyd functional handles incorporate switching, control and monitoring functions exactly at the point they are required - namely the enclosure handle. Functional handles are mounted on the moveable part of the door/enclosure, while the additional solenoid interlock, part no. **B8900**, which enables locking and monitoring of the door condition, is mounted on the static part of the door/enclosure. All models in the series have been designed on the same basic principles and can incorporate the following functions:

- **Simple operation;** all buttons and controls on the handles are simply activated with the thumb allowing for control and opening of the guard in just one movement.
- **Deactivation of the dead lock;** each handle has a button to deactivate and unlock the dead lock, two LED's indicate whether the door is locked or unlocked.
- **Safety;** machine start and stop buttons can optionally be integrated into the handle, as well as a machine emergency stop button.
- **Modular design;** handle **B8320** has been designed on a modular basis allowing for individual programming of handle functions for your own application
- **Electromechanical locking;** in combination with our solenoid interlocking devices **B8900** our functional handles provide an electromechanical locking system for both revolving and push doors.

Basic non-functional handles available in same design to act as counter-handles.



**Programmable**  
Robust functional handles with separately programmable elements to suit any application.



**Functional**  
Functional handle with inbuilt emergency stop with 2 NC and 1 NO contacts for PLC systems.



**Ergonomic**  
Simple and ergonomic mechanically locking handles, with electrical monitoring function; for use on cabinets and enclosures.



**Inter-locking**  
Solenoid interlocks can be used to bolt doors or enclosures mechanically, with switching contacts enabling the monitoring of the lock/enclosure status.



**Release button**  
Activating the release button deactivates the dead lock and opens the safety door. Two LED's above the release button indicate to the operator whether the door is locked or unlocked.



**Emergency stop**  
Optional emergency stop button allows the operator to bring the entire machine to a stand still. The machine can then be resumed by re-setting the handle via a twist of the button. Conforms to EN418.

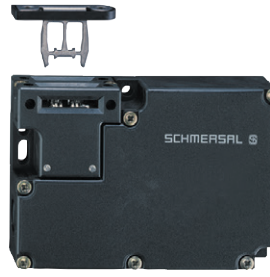


**Start button**  
Machine start buttons can be included in the handle to initiate the machine.



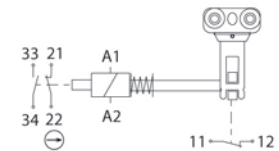
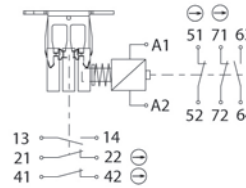
**Positioning**  
The start button can be positioned either above the door release button or when no emergency stop button is used, can be positioned on the top of the handle.

## Features



Wixroyd part no.	B8900.AC01xx	B8900.AC02xx
Standards	IEC/EN 60947-5-1, BG-GS-ET-19, IEC 60947-5-1	IEC/EN 60947-5-1, BG-GS-ET-19, IEC 60947-5-1
Enclosure	Glass-fibre reinforced thermoplastic	Glass-fibre reinforced thermoplastic
Actuator and locking bolt	Stainless steel 1.4301	Zinc-plated steel/zinc diecast, chromated
Contact material	Silver	Silver
Protection class	IP67	IP67
Termination	Screw clamps	Screw clamps
Cable section	Max. 1.5mm <sup>2</sup> (inc. conductor ferrules)	Max. 1.5mm <sup>2</sup> (inc. conductor ferrules)
Cable entry	4 x M16 x 1,5	4 x M20 x 1,5
Rated impulse withstand voltage U <sub>i</sub>	4 kV	2.5 kV
Rated insulation voltage U <sub>1</sub>	250 V	250 V
Thermal test current I <sub>the</sub>	10 A	10 A
Rated operating current /voltage i <sub>e/Ve</sub>	2,5 A/24 VDC	2,5 A/24 VDC
Rated control voltage U <sub>s</sub>	24 VAC/DC	24 VDC
Ambient temperature	-25° C... to +60° C	0° C... to +50° C
Holding force F max.	2000 N	1750 N
Actuating head	3 actuator openings	Can be repositioned by 4 x 90°
Manual release	For manual unlocking by triangular key. Emergency exit device and emergency release optional available	For manual unlocking by triangular key. Emergency release optional available

Power to unlock



Power to lock

