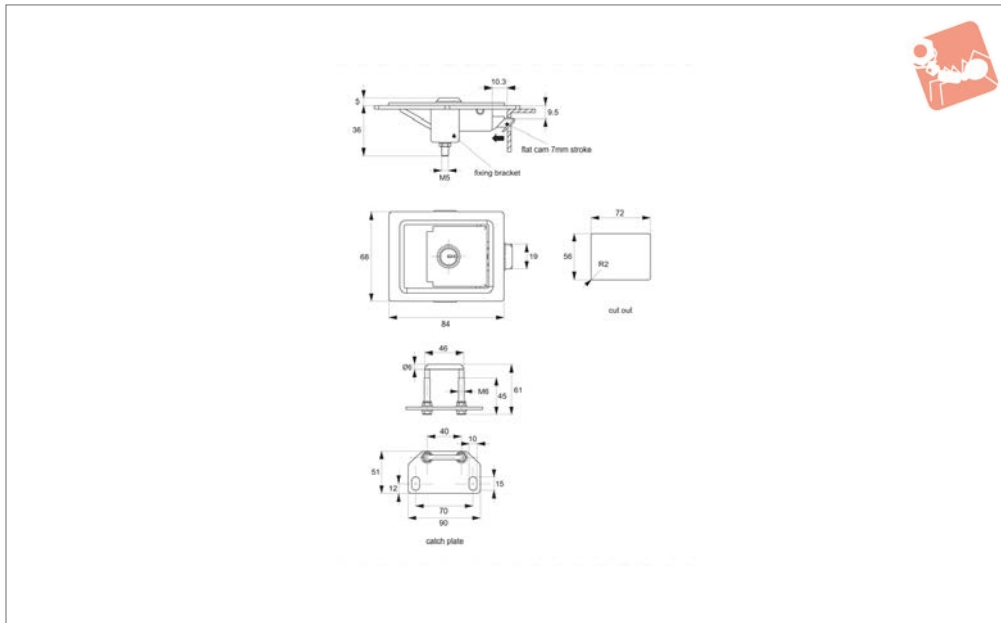




Push To Close Paddle Latches

pull to open - slam action - standard cylinder lock -

Paddle Latches



B4703

PADDLE LATCHES

Material

Body and Handle: steel, black powder coated.
Cylinder lock: die cast zinc, zinc plated.

Supplied with: Keys: two per lock.

Not Supplied: Catch plate: please order separately.

Technical Notes

Spring loaded, slam action handle. Installation via 72x56mm cut out.

Order No.

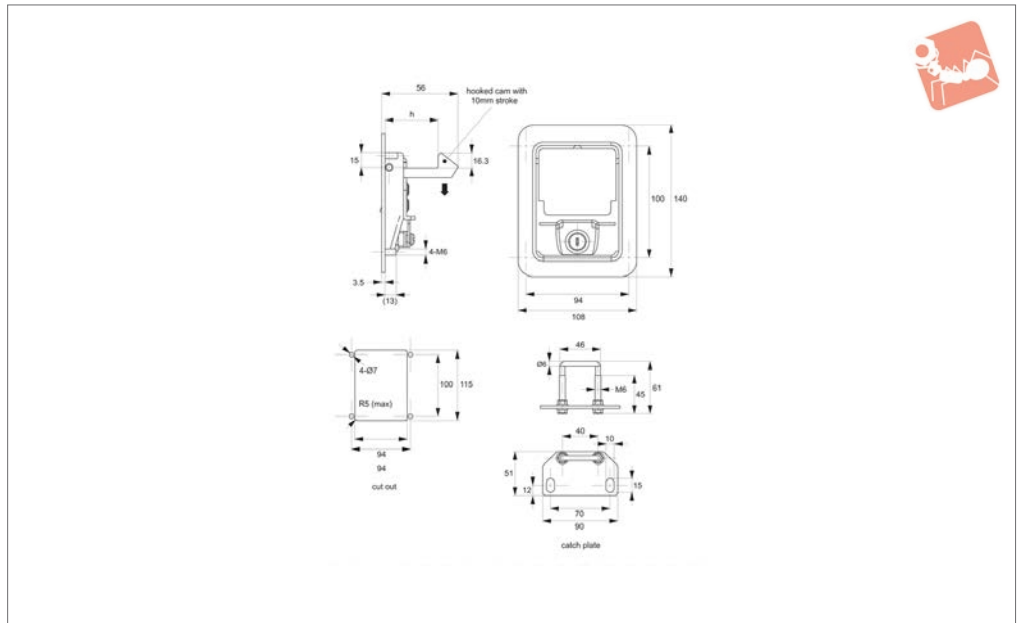
B4703.AW0010
B4703.AW0020

Lock type

Std. Cylinder
Blank - No Lock



B4713



Material

Body and Handle: steel, black powder coated.

Cylinder lock: die cast zinc, zinc plated.

Supplied with: Keys: two per lock.

Not Supplied: Catch plate: please order separately.

Technical Notes

Stud fixing type has 4 off M 6 welded studs for rear mounting with M 6 nuts (not supplied).

Universal left/right. For use inside of cabinet gasket.

Tips

Fully integrated lock, latch and flush fitting paddle handle, ideal for generators, compressors, electric panels and doors.

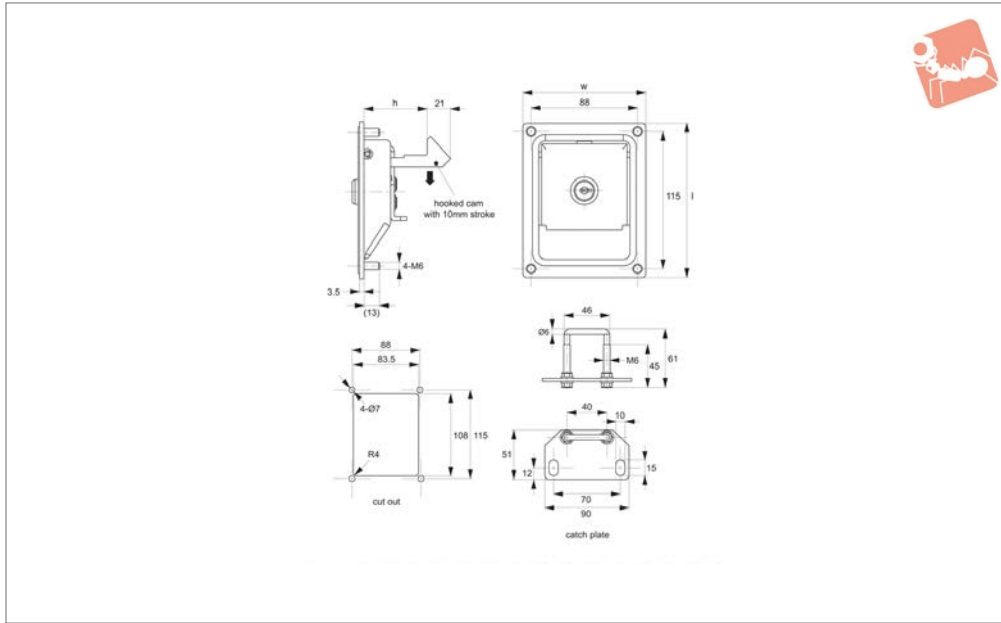
| Order No. | Lock type | Type | h |
|---------------------|-----------------|-------|------|
| B4713.AW0010 | Std. Cylinder | Latch | 31.5 |
| B4713.AW0020 | Std. Cylinder | Latch | 44.0 |
| B4713.AW0030 | Std. Cylinder | Latch | 55.0 |
| B4713.AW0040 | Blank - No Lock | Latch | 31.5 |



Push To Close Paddle Latches

pull to open - slam action - standard cylinder lock -

Paddle Latches



B4733

PADDLE LATCHES

Material

Body and Handle: steel, black powder coated.

Cylinder lock: die cast zinc, zinc plated.

Supplied with: Keys: two per lock.

Not Supplied: Catch plate: please order

separately.

Technical Notes

Stud fixing type has 4 off M 6 welded studs for rear mounting with M 6 nuts (not supplied).

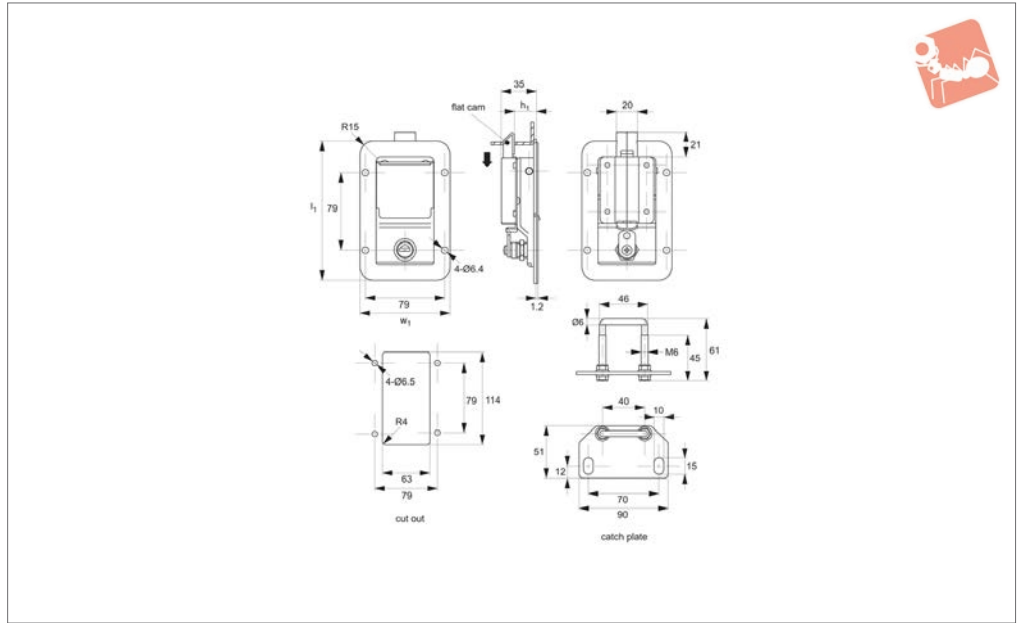
Tips

Fully integrated lock, latch and flush fitting paddle handle, ideal for generators, compressors, electric panels and doors.

| Order No. | Lock type | Type | h | l | w |
|--------------|-----------------|-------|------|-----|-------|
| B4733.AW0010 | Std. Cylinder | Latch | 30.5 | 127 | 101.5 |
| B4733.AW0020 | Std. Cylinder | Latch | 43.0 | 127 | 101.5 |
| B4733.AW0030 | Std. Cylinder | Latch | 54.0 | 127 | 101.5 |
| B4733.AW0040 | Blank - No Lock | Latch | 30.5 | 127 | 101.5 |
| B4733.AW0050 | Blank - No Lock | Latch | 43.0 | 127 | 101.5 |



B4750



Material

Body and Handle: stainless steel, AISI 304.
 Cylinder lock: die cast zinc, chrome plated.
Supplied with: Keys: two per lock.
Not Supplied: Catch plate: please order separately.

Technical Notes

Hole fixing type requires 4 off M 6 screws (not supplied) for front mounting.
 Spring loaded, slam action handle.
 Universal left/right. For use inside of cabinet gasket.

Tips

Fully integrated lock, latch and flush fitting paddle handle, ideal for generators, compressors, electric panels and doors.

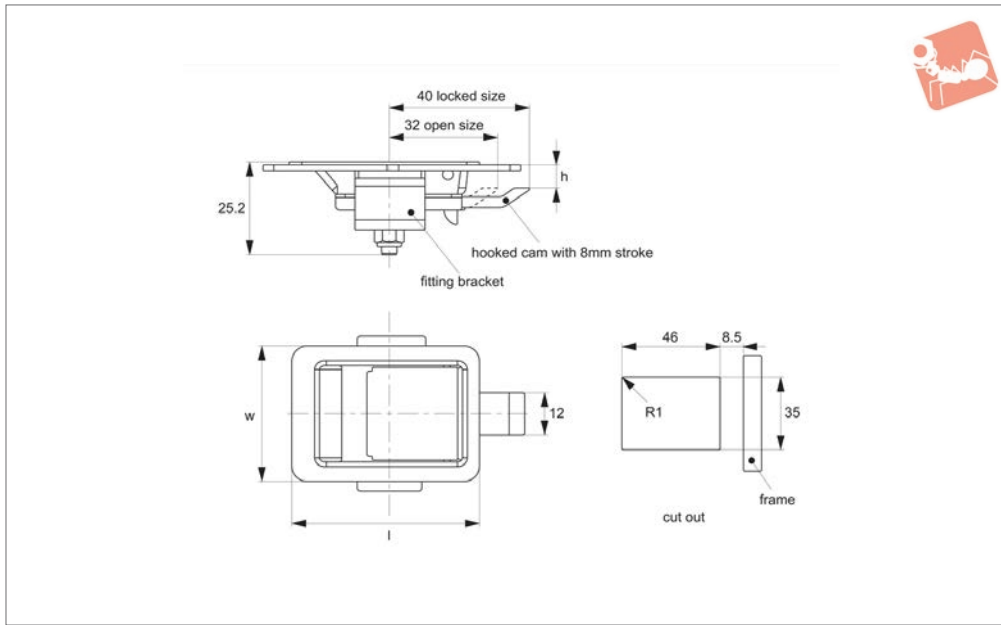
| Order No. | Type | h_1 | l_1 | w_1 |
|--------------|-----------------|-------|-------|-------|
| B4750.AW0010 | With Lock | 22 | 140 | 90 |
| B4750.AW0020 | Blank - No Lock | 22 | 140 | 90 |



Push To Close Paddle Latches

pull to open - slam action - stainless steel

Paddle Latches



B4752

PADDLE LATCHES

Material

Body and Handle: stainless steel, AISI 304.

Technical Notes

Spring loaded, slam action handle.
Fitting via mounting bracket. Without

secondary lock, for easy access.

Universal left/right. For use inside of cabinet gasket.

Catch plate B4752.AW0310 available as separate order item.

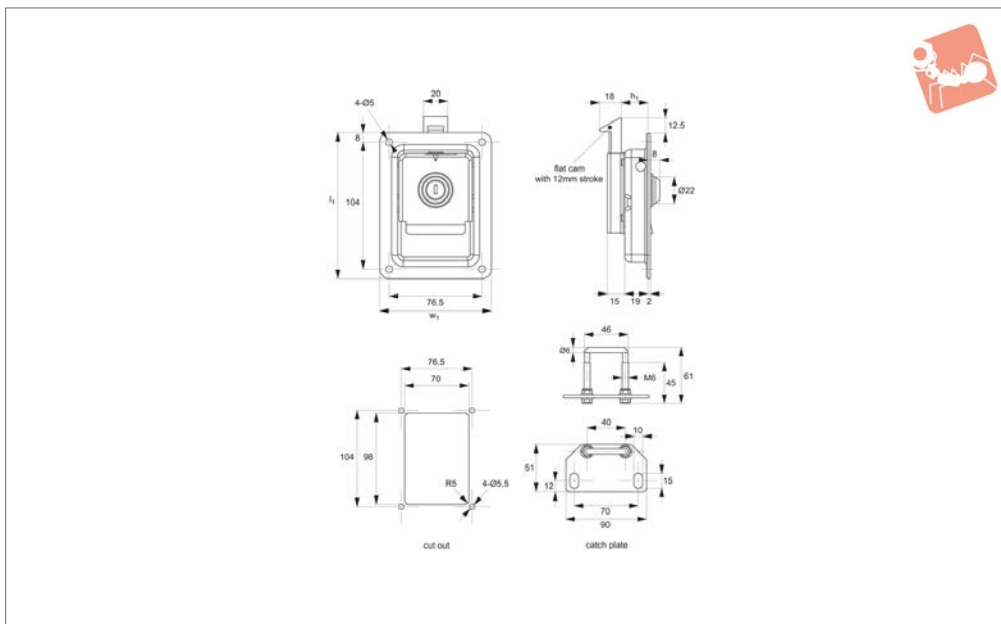
Tips

Fully integrated lock, latch and flush fitting paddle handle, ideal for generators, compressors, electric panels and doors.

| Order No. | h | l | w |
|--------------|---|----|----|
| B4752.AW0010 | 5 | 56 | 42 |



B4756



Material

Body and Handle: stainless steel, AISI 304, or zinc plated steel.

Cylinder lock: die cast zinc, chrome plated.

Supplied with: Keys: two per lock.

Not Supplied: Catch plate: please order separately.

Technical Notes

Spring loaded, slam action handle.

Hole fixing type requires 4 off M 6 screws (not supplied) for front mounting.

Universal left/right. For use inside of cabinet gasket.

Tips

Fully integrated lock, latch and flush fitting paddle handle, ideal for generators, compressors, electric panels and doors.

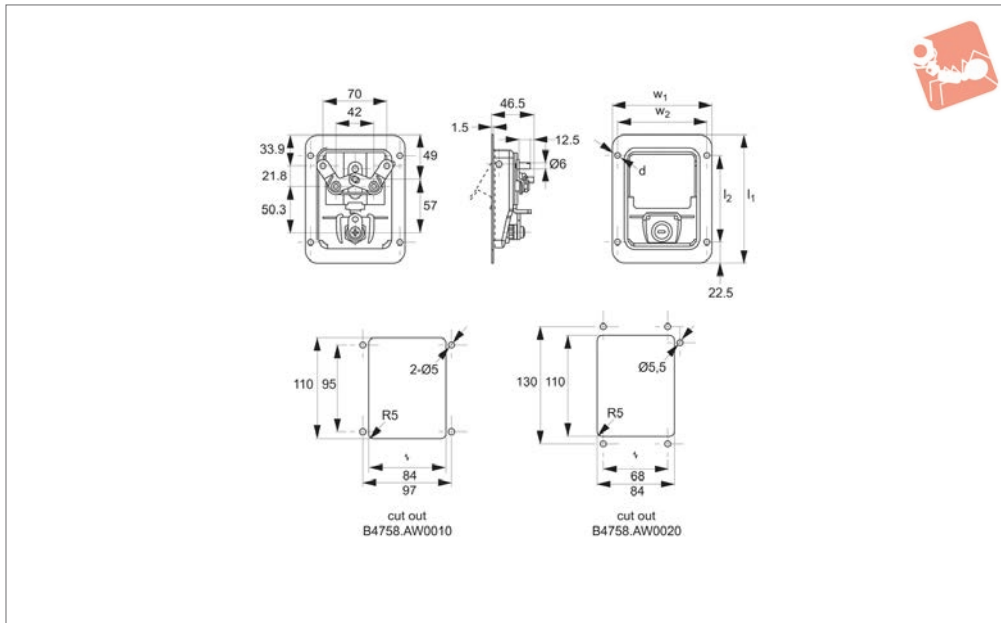
| Order No. | Lock type | Material | Key type | h_1 | l_1 | w_1 |
|---------------------|---------------|-----------------|-------------|-------|-------|-------|
| B4756.AW0010 | Std. Cylinder | Steel | Keyed Alike | 22 | 120 | 92.5 |
| B4756.AW0020 | Std. Cylinder | Stainless Steel | - | 22 | 120 | 92.5 |



Push To Close Paddle Latches

pull to open - standard cylinder lock - stainless steel

Paddle Latches



B4758

PADDLE LATCHES

Material

Body and Handle: stainless steel, AISI 303.
Cylinder lock: die cast zinc, chrome plated.

Supplied with: Keys: two per lock.

Not Supplied: Catch plate: please order separately.

Technical Notes

Hole fixing type requires 4 off M 5 screws (not supplied) for front fixing.
Universal left/right. For use inside of cabinet gasket.

Tips

Fully integrated lock, latch and flush fitting paddle handle, ideal for generators, compressors, electric panels and doors.

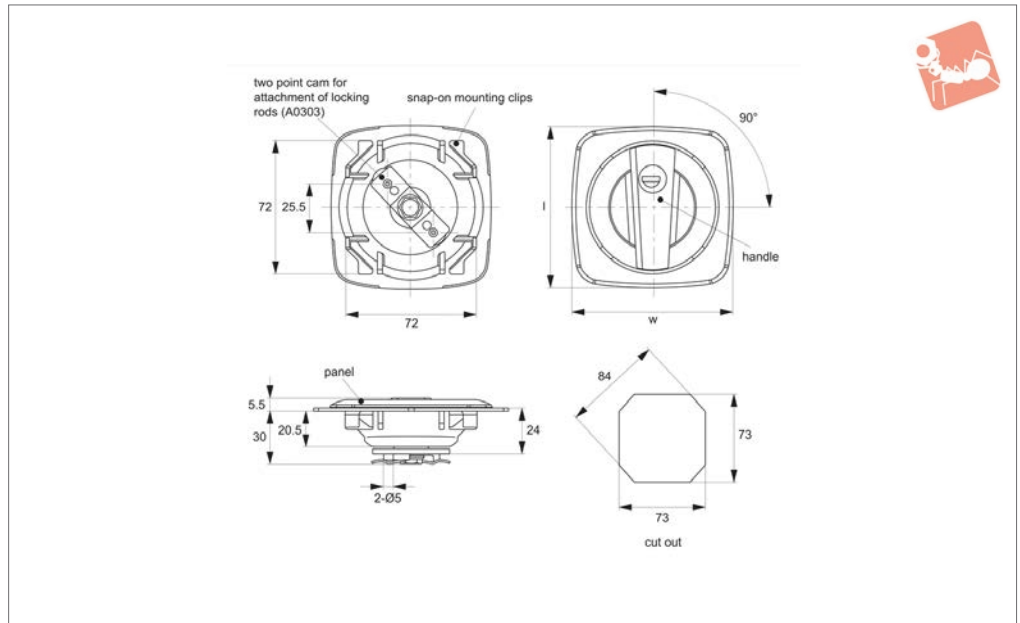
| Order No. | Lock type | Type | Key type | d | l ₁ | l ₂ | w ₁ | w ₂ |
|---------------------|---------------|-------|-------------|-----|----------------|----------------|----------------|----------------|
| B4758.AW0010 | Std. Cylinder | Latch | Keyed Alike | 5.5 | 140 | 95 | 108 | 97 |
| B4758.AW0020 | Std. Cylinder | Latch | Keyed Alike | 5.0 | 146 | 130 | 146 | 68 |



PADDLE LATCHES



B4800



Material

Body and Handle: Polyamide plastic (PA), black.

Cylinder lock: die cast zinc, chrome plated.

Supplied with: Keys: two per lock.

Technical Notes

Easy snap on fix mounting. Make cut out in panel as shown, and simply push in handle, snap on clips will spring back to securely mount handle.

Attach multi-point latching rods (A0303) to achieve two-point latching of cupboards, cabinets or enclosures. Suitable for panel thickness 1 - 1.5mm.








| Order No. | Lock type | Key type | l | w |
|--------------|---------------|-------------|------|------|
| B4800.AW0010 | Std. Cylinder | Keyed Alike | 88.5 | 88.5 |







Wixroyd Cam Latches

product selection charts

Swing Handles & Paddle Latches

| | Cylinder Profile | Body | Locking System | Use | Cam Type |
|------------------------------------------------------------|-------------------------------------------------------------------------------------|--------------------------------------------------------------------|--------------------------------------------|----------------------------------------------------------------------------|----------|
| | Std. Cylinder Lock 40mm Euro Padlockable Insert Driver | Die-Cast Zinc Polyamide Plastic Stainless Steel Aluminium | IP Rating 1-point 2-point 3-point | Inside Gasketing Outside Gasketing With Projection W/O Projection | |
| B1450 - Swing Handles - Cam Control - Sliding Cover |  | ✓ | ✓ | ✓ | ✓ |
| Cams: A0203, A0224, A0240 - Keys: Supplied | | | | | |
| B2450 - Swing Handles - Rod Control - Sliding Cover |  | ✓ | ✓ | ✓ | ✓ |
| Cams: N/A - Keys: Supplied | | | | | |
| B4604 - Cam Latch - Concealed T-handle, Vertical |  | ✓ | 65 | ✓ | ✓ |
| Cams: Supplied - Keys: Padlockable | | | | | |
| B4703 - Push-to-Close Paddle Latch - Pull-to-Open |  | ✓ | ✓ | ✓ | ✓ |
| Cams: N/A - Keys: Supplied | | | | | |
| B4713 - Push-to-Close Paddle Latch - Pull-to-Open |  | ✓ | ✓ | ✓ | ✓ |
| Cams: N/A - Keys: Supplied | | | | | |
| B4733 - Push-to-Close Paddle Latch - Pull-to-Open |  | ✓ | ✓ | ✓ | ✓ |
| Cams: N/A - Keys: Supplied | | | | | |
| B4750 - Push-to-Close Paddle Latch - Pull-to-Open |  | ✓ | ✓ | ✓ | ✓ |
| Cams: N/A - Keys: Supplied | | | | | |
| B4752 - Push-to-Close Paddle Latch - Pull-to-Open |  | ✓ | ✓ | ✓ | ✓ |
| Cams: N/A - Keys: Supplied | | | | | |

| | Cylinder Profile | Body | Locking System | Use | Cam Type |
|----------------------------------------------------------|-------------------------------------------------------------------------------------|--------------------------------------------------------------------|--------------------------------------------|----------------------------------------------------------------------------|----------|
| | Std. Cylinder Lock 40mm Euro Padlockable Insert Driver | Die-Cast Zinc Polyamide Plastic Stainless Steel Aluminium | IP Rating 1-point 2-point 3-point | Inside Gasketing Outside Gasketing With Projection W/O Projection | |
| B4754 - Push-to-Close Paddle Latch - Pull-to-Open |  | ✓ | ✓ | ✓ | ✓ |
| Cams: N/A - Keys: Supplied | | | | | |
| B4756 - Push-to-Close Paddle Latch - Pull-to-Open |  | ✓ | ✓ | ✓ | ✓ |
| Cams: N/A - Keys: Supplied | | | | | |
| B4758 - Push-to-Close Paddle Latch - Pull-to-Open |  | ✓ | ✓ | ✓ | ✓ |
| Cams: N/A - Keys: Supplied | | | | | |
| B4800 - Twist-to-Close Paddle Latch - Snap-On |  | ✓ | ✓ | ✓ | ✓ |
| Cams: N/A - Keys: Supplied | | | | | |

PADDLE LATCHES

ov-WB1450-A-T-WB4800-A-T-cam-latches-product-selection-chart-rmh-Updated -25-10-2022