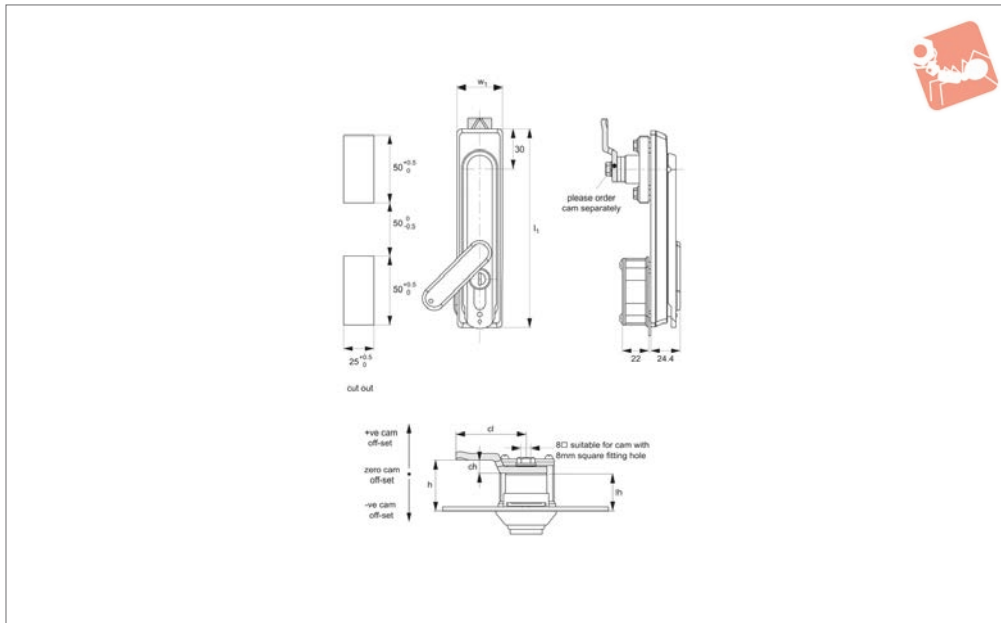




Swing Handles - Cam Control

40mm euro cylinder lock - dust cover

Swing Handles



B1082

SWING HANDLES

Material

Type One: Body & Handle: die cast zinc, black powder coated.

Type Two: Body: Polyamide PA6, black. Handle: die cast zinc, black powder coated. Cylinder lock: die cast zinc, chrome plated.

Supplied with: Keys: two per lock.

Not supplied: Cam: order separately.

Technical Notes

Order cam separately.

Cams: see suitable cam A0203, A0224 and

A0240. Select „without projection“ cam type.

Dimensions ch and cl relate to cam. Use formula to calculate ch (required cam off-set), and refer to cam selection chart;

ch = h - lh where;

ch = required cam off-set/height.

h = grip length (distance between inside of latch face and front of cam).

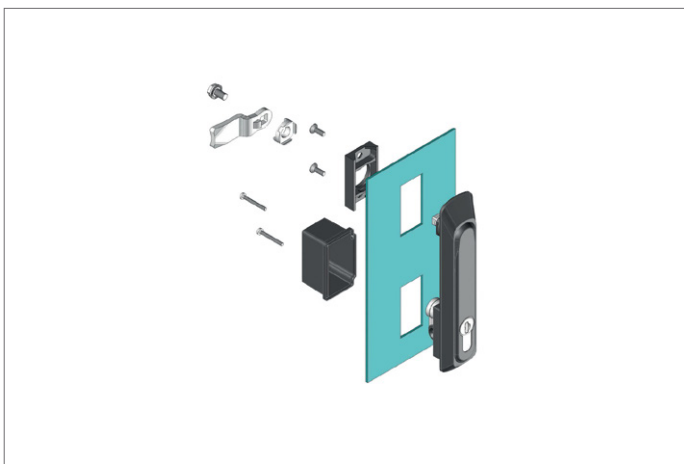
lh = body length of cam latch/lock to be used (see product table below).

Rods & Guides: to achieve 3-point latching - A0303, A0321, A0325.

Tips

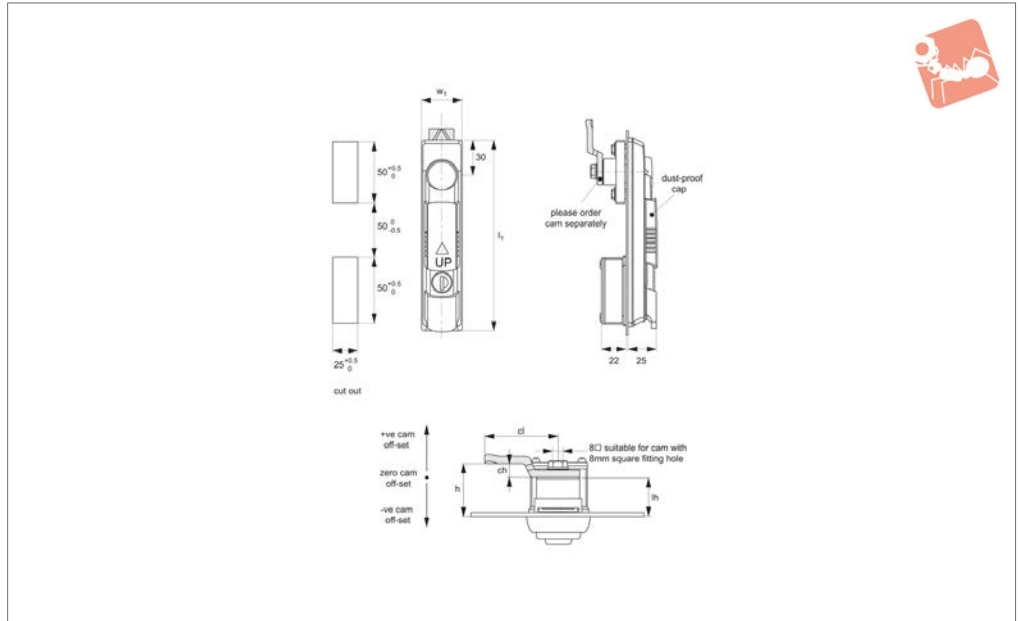
90° degree handle rotation combines with rod latch to open or close. All die cast metal construction provides higher strength than standard models. Ideal for electrical cabinets, telecom racks or enclosures max. panel thickness of 1 to 4mm. For use inside of cabinet gasket. Universal left/right.

Order No.	Type	Body	Lock type	Handle	Padlockable	Key type	l ₁	w ₁	lh
B1082.AW0010	One	Zinc	40 Euro	Zinc	No	Keyed Alike	160	34	19
B1082.AW0020	One	Zinc	40 Euro	Zinc	Yes	Keyed Alike	160	34	19
B1082.AW0310	Two	Polyamide	40 Euro	Zinc	No	Keyed Alike	160	34	19
B1082.AW0320	Two	Polyamide	40 Euro	Zinc	Yes	Keyed Alike	160	34	19





B1086



Material

Type One: Body & Handle: die cast zinc, black powder coated.

Type Two: Body: Polyamide PA6, black. Handle: die cast zinc, black powder coated. Cylinder lock: die cast zinc, chrome plated. Foaming seal to achieve IP54 rating.

Supplied with: Keys: two per lock.

Not supplied: Cam: order separately.

Technical Notes

Order cam separately.

Cams: see suitable cam A0203, A0224 and

A0240. Select „without projection“ cam type.

Dimensions ch and cl relate to cam. Use formula to calculate ch (required cam off-set), and refer to cam selection chart;

$ch = h - lh$ where;

ch = required cam off-set/height.

h = grip length (distance between inside of latch face and front of cam).

lh = body length of cam latch/lock to be used (see product table below).

Rods & Guides: to achieve 3-point latching

- A0303, A0321, A0325.

Tips

90° degree handle rotation combines with rod latch to open or close. All die cast metal construction provides higher strength than standard models. Ideal for electrical cabinets, telecom racks or enclosures max. panel thickness of 2mm. For use inside of cabinet gasket. Universal left/right.

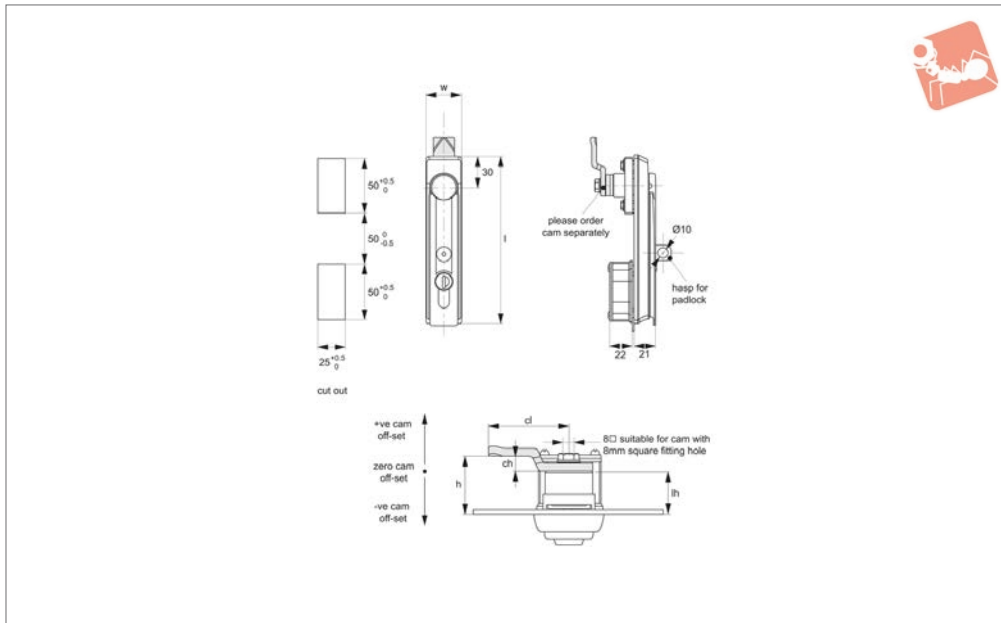
Order No.	Type	Body	Handle	Key type	l_1	w_1	lh
B1086.AW0010	One	Zinc	Zinc	Keyed Alike	160	34	19
B1086.AW0310	Two	Polyamide	Zinc	Keyed Alike	160	34	19



Swing Handles - Cam Control

40mm euro cylinder lock - padlockable - zinc or

Swing Handles



B1088

SWING HANDLES

Material

Type One: Body & Handle: die cast zinc, black powder coated.

Type Two: Body: Polyamide PA6, black. Handle: die cast zinc, black powder coated. Cylinder lock: die cast zinc, chrome plated.

Supplied with: Keys: two per lock.

Not supplied: Cam: order separately.

Technical Notes

Order cam separately.

Cams: see suitable cam A0203, A0224 and

A0240. Select „without projection“ cam type.

Dimensions ch and cl relate to cam. Use formula to calculate ch (required cam off-set), and refer to cam selection chart;

ch = h - lh where;

ch = required cam off-set/height.

h = grip length (distance between inside of latch face and front of cam).

lh = body length of cam latch/lock to be used (see product table below).

Rods & Guides: to achieve 3-point latching - A0303, A0321, A0325.

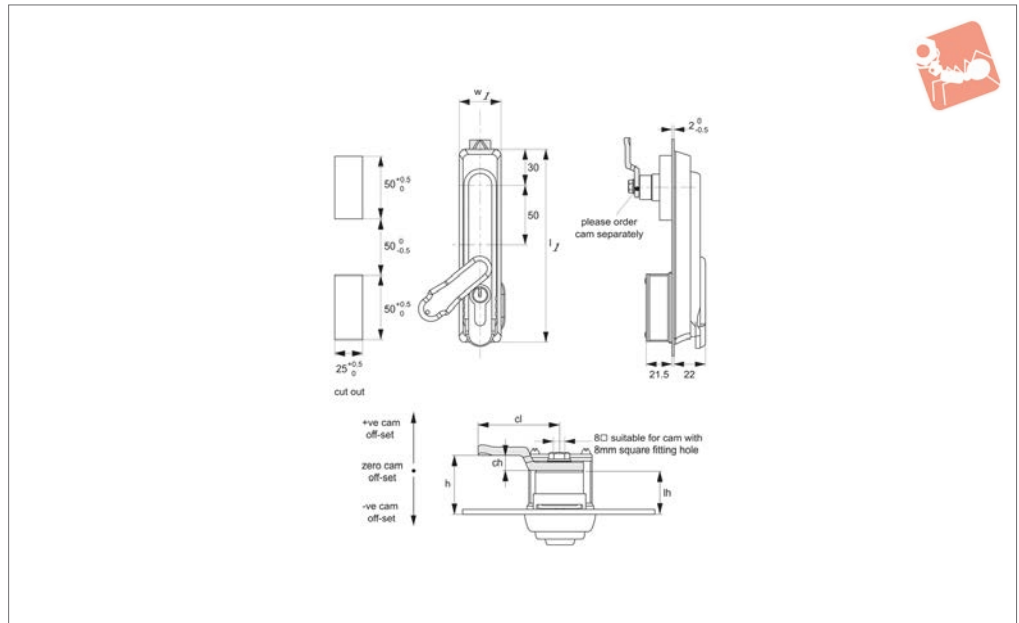
Tips

90 degree handle rotation combines with rod latch to open or close. All die cast metal construction provides higher strength than standard models. Ideal for electrical cabinets, telecom racks or enclosures max. panel thickness of 1 to 4mm. For use inside of cabinet gasket. Universal left/right.

Order No.	Type	Body	Lock type	Handle	Padlockable	Key type	l	w	lh
B1088.AW0010	One	Zinc	40 Euro	Zinc	No	Keyed Alike	160	34	19
B1088.AW0310	Two	Polyamide	40 Euro	Zinc	No	Keyed Alike	160	34	19
B1088.AW0020	One	Zinc	40 Euro	Zinc	Yes	Keyed Alike	160	34	19
B1088.AW0320	Two	Polyamide	40 Euro	Zinc	Yes	Keyed Alike	160	34	19



B1091



Material

Body & Handle: polyamide, PA6, black.
 Cylinder lock: die cast zinc, chrome plated.
Supplied with: Keys: two per lock.
Not supplied: Cam: order separately.
Supplied with: Keys: two per lock.
Not supplied: Cam: order separately.

Technical Notes

Order cam separately.
Cams: see suitable cam A0203, A0224 and

A0240. Select „without projection“ cam type.
 Dimensions ch and cl relate to cam. Use formula to calculate ch (required cam off-set), and refer to cam selection chart;
 $ch = h - lh$ where;
 ch = required cam off-set/height.
 h = grip length (distance between inside of latch face and front of cam).
 lh = body length of cam latch/lock to be

used (see product table below).
Rods & Guides: to achieve 3-point latching - A0303, A0321, A0325.

Tips

Also available with radial pin lock, subject to min. order quantity.
 Ideal for electrical cabinets, telecom racks or enclosures max. panel thickness of 2mm. For use inside of cabinet gasket. Universal left/right.

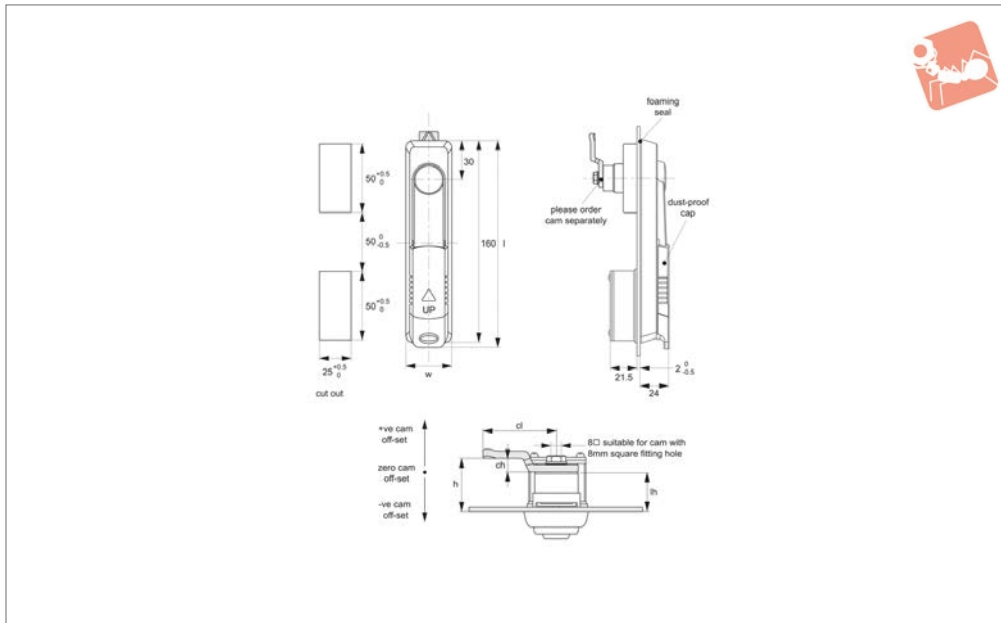
Order No.	Finish	Lock type	Key type	l_1	w_1	lh
B1091.AW0020	Black, Plastic	40 Euro	Keyed Alike	160	35	16



Swing Handles - Cam Control

40mm euro cylinder lock - dust proof cover - plastic

Swing Handles



B1092

SWING HANDLES

Material

Body & Handle: polyamide, PA6, black.
 Cylinder lock: die cast zinc, chrome plated.
Supplied with: Keys: two per lock.
Not supplied: Cam: order separately.

Technical Notes

Order cam separately.
Cams: see suitable cam A0203, A0224 and A0240. Select „without projection“ cam

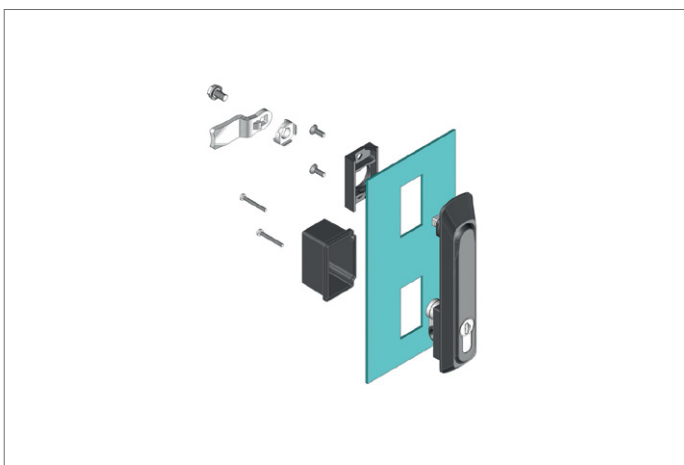
type.
 Dimensions ch and cl relate to cam. Use formula to calculate ch (required cam off-set), and refer to cam selection chart;
 $ch = h - lh$ where;
 ch = required cam off-set/height.
 h = grip length (distance between inside of latch face and front of cam).
 lh = body length of cam latch/lock to be

used (see product table below).
Rods & Guides: to achieve 3-point latching - A0303, A0321, A0325.

Tips

Ideal for electrical cabinets, telecom racks or enclosures max. panel thickness of 2mm. For use inside of cabinet gasket. Universal left/right.

Order No.	Finish	Lock type	Key type	l	w	lh
B1092.AW0010	Black, Plastic	40 Euro	Keyed Alike	165	35	16

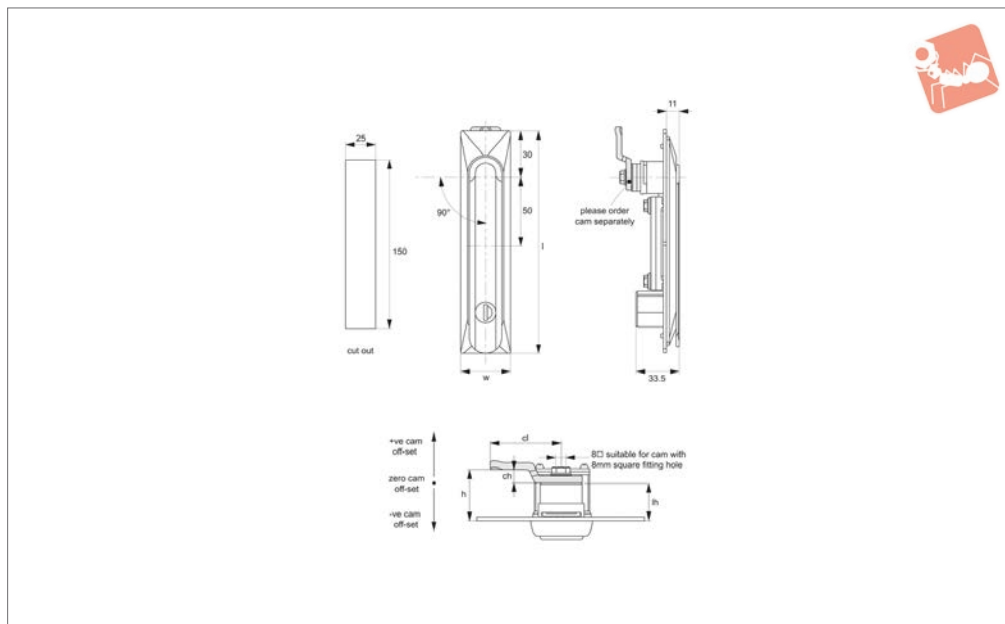




SWING HANDLES



B1180



Material

Body & Handle: die cast zinc, pocked black power coated.

Polyurethane gasket: to achieve IP65 rating.

Cylinder lock: die cast zinc, chrome plated.

Supplied with: Keys: two per lock.

Not supplied: Cam: order separately.

Technical Notes

Order cam separately.

Cams: see suitable cam A0203, A0224 and A0240. Select „without projection“ cam type.

Dimensions ch and cl relate to cam. Use formula to calculate ch (required cam off-set), and refer to cam selection chart;

ch = h - lh where;

ch = required cam off-set/height.

h = grip length (distance between inside of latch face and front of cam).

lh = body length of cam latch/lock to be used (see product table below).

Rods & Guides: to achieve 3-point latching - A0303, A0321, A0325.

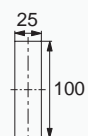

Order No.	Finish	Lock type	Key type	l	w	lh
B1180.AW0010	Black Coated	Std. Cylinder	Keyed Alike	160	36	20



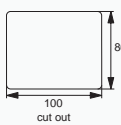

Wixroyd Swing Handles

product selection charts

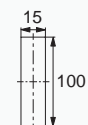

Swing Handles & Paddle Latches

cut out	Cylinder Profile	Body	IP Rating	Locking System			Use	Cam Type
				1-point	2-point	3-point		
	Std. Cylinder Lock 40mm Euro Padlockable Insert Driver	Die-Cast Zinc Polyamide Plastic Stainless Steel Steel Aluminium						
			54	✓	✓	✓	✓	✓
Cams: A0203, A0224, A0240 - Keys: Supplied								


B1180 - Swing Handle

cut out	Cylinder Profile	Body	IP Rating	Locking System			Use	Cam Type
				1-point	2-point	3-point		
	Std. Cylinder Lock 40mm Euro Padlockable Insert Driver	Die-Cast Zinc Polyamide Plastic Stainless Steel Steel Aluminium						
				✓	✓	✓	✓	✓
Cams: Supplied - Keys: Supplied								


B4590 - Cam Latch - Flush T-handle - Heavy Duty

cut out	Cylinder Profile	Body	IP Rating	Locking System			Use	Cam Type
				1-point	2-point	3-point		
	Std. Cylinder Lock 40mm Euro Padlockable Insert Driver	Die-Cast Zinc Polyamide Plastic Stainless Steel Steel Aluminium						
					✓	✓		✓
Cams: Supplied - Keys: Supplied								

B4584 - Cam Latch - Flush T-handle, Vertical - Heavy Duty

					✓	✓		✓
Cams: Supplied - Keys: Supplied								

B4586 - Cam Latch - Flush T-handle, Vertical - Heavy Duty

					✓	✓		✓
Cams: Supplied - Keys: Supplied								

B4588 - Cam Latch - Flush T-handle, Vertical - Heavy Duty

SWING HANDLES

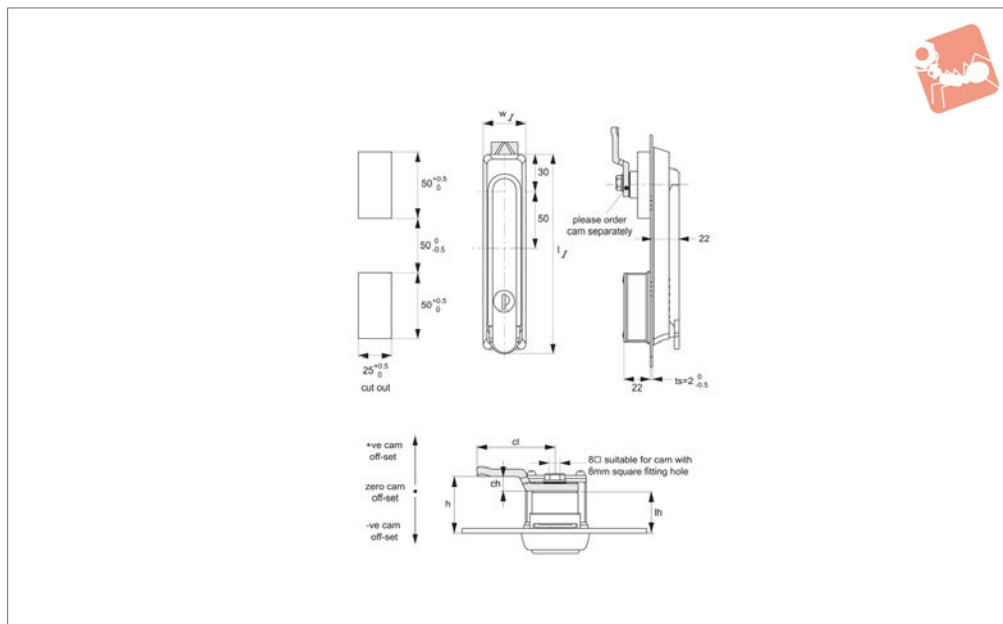
ov-WB1180-A-TPL0120-WB4590-A-T-swing-handles-products-selection-chart-b-rmh- Updated -25-10-2022



SWING HANDLES



B1281



Material

Body & Handle: polyamide PA6, black.
 Cylinder lock: die cast zinc, chrome plated.
Supplied with: Keys: two per lock.
Not supplied: Cam: order separately.

Technical Notes

Order cam separately.
Cams: see suitable cam A0203, A0224 and A0240. Select „without projection“ cam

type.
 Dimensions ch and cl relate to cam. Use formula to calculate ch (required cam off-set), and refer to cam selection chart;
ch = h - lh where;
ch = required cam off-set/height.
h = grip length (distance between inside of latch face and front of cam).
lh = body length of cam latch/lock to be

used (see product table below).
Rods & Guides: to achieve 3-point latching - A0303, A0321, A0325.

Tips

For use in electrical cabinets, telecom racks or enclosures. Max. panel thickness of 2mm. For use inside of cabinet gasket. Universal left/right.

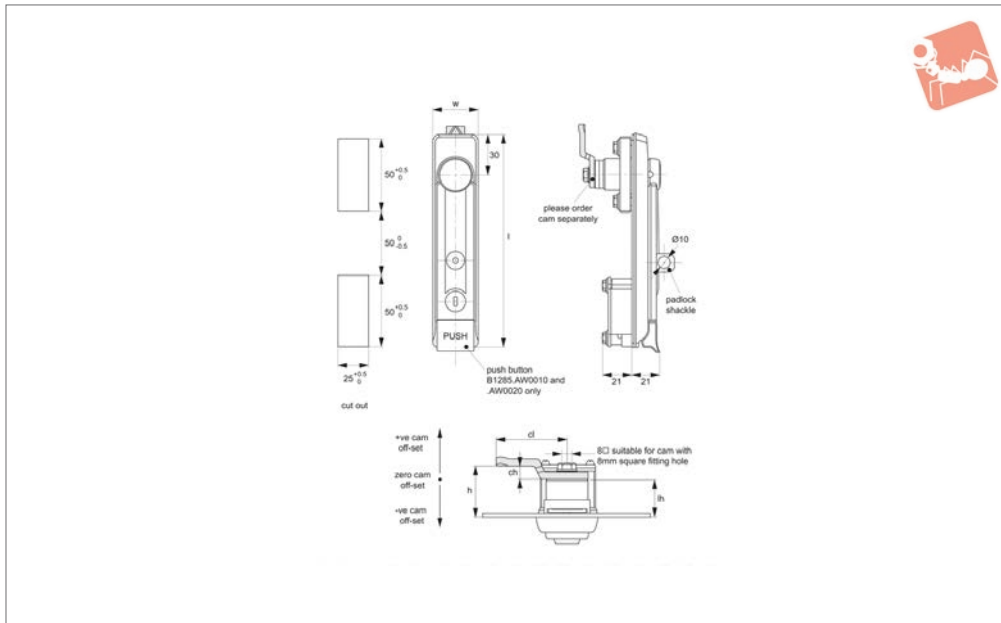
Order No.	Finish	Lock type	Key type	l_1	w_1	lh
B1281.AW0010	Black, Plastic	Std. Cylinder	Keyed Alike	160	35	16



Swing Handles - Cam Control

standard cylinder lock - padlockable - zinc

Swing Handles



B1285

SWING HANDLES

Material

Body & Handle: die cast zinc, black powder coated.

Cylinder lock: die cast zinc, chrome plated.

Supplied with: Keys: two per lock.

Not supplied: Cam: please order separately.

Technical Notes

Order cam separately.

Cams: see suitable cam A0203, A0224 and A0240. Select „without projection“ cam type.

Dimensions ch and cl relate to cam. Use formula to calculate ch (required cam off-set), and refer to cam selection chart;

ch = h - lh where;

ch = required cam off-set/height.

h = grip length (distance between inside of

latch face and front of cam).

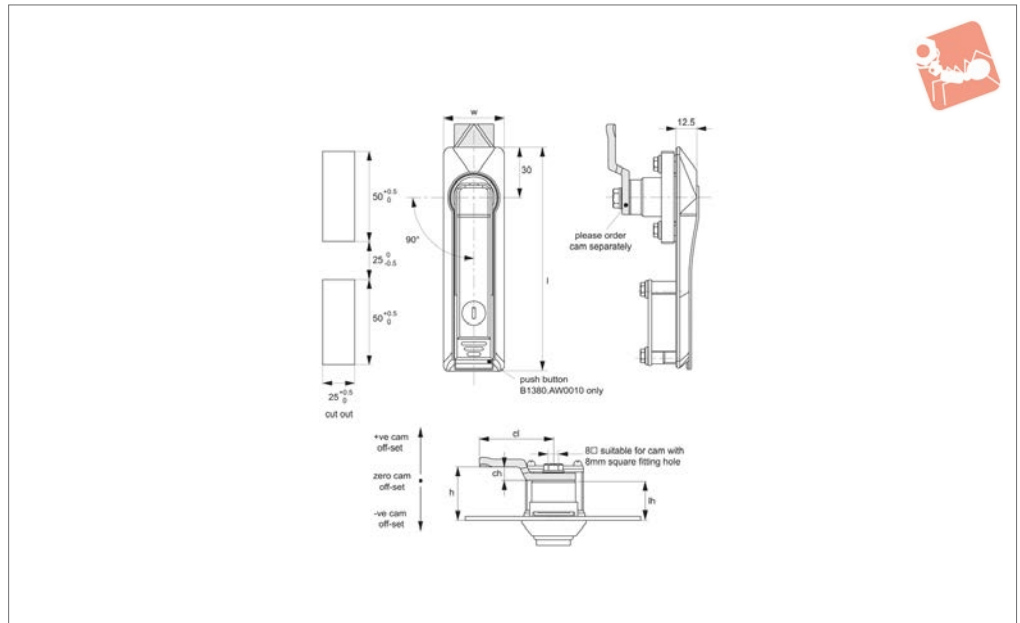
lh = body length of cam latch/lock to be used (see product table below).

Rods & Guides: to achieve 3-point latching - A0303, A0321, A0325.

Order No.	Type	Lock type	Padlockable	Key type	l	w	lh
B1285.AW0010	With Button	Std. Cylinder	No	Keyed Alike	158	34	19
B1285.AW0020	With Button	Std. Cylinder	Yes	Keyed Alike	158	34	19
B1285.AW0030	W/o Button	Std. Cylinder	No	Keyed Alike	158	34	19
B1285.AW0040	W/o Button	Std. Cylinder	Yes	Keyed Alike	158	34	19



B1380



Material

Body & Handle: die cast zinc, black painted.

Cylinder lock: die cast zinc, chrome plated.

Supplied with: Key: two per lock.

Not supplied: Cam: please order separately.

Technical Notes

Order cam separately.

Cams: see suitable cam A0203, A0224 and A0240. Select „without projection“ cam type.

Dimensions ch and cl relate to cam. Use formula to calculate ch (required cam off-set), and refer to cam selection chart;

ch = h - lh where;

ch = required cam off-set/height.

h = grip length (distance between inside of

latch face and front of cam).

lh = body length of cam latch/lock to be used (see product table below).

Rods & Guides: to achieve 3-point latching - A0303, A0321, A0325.

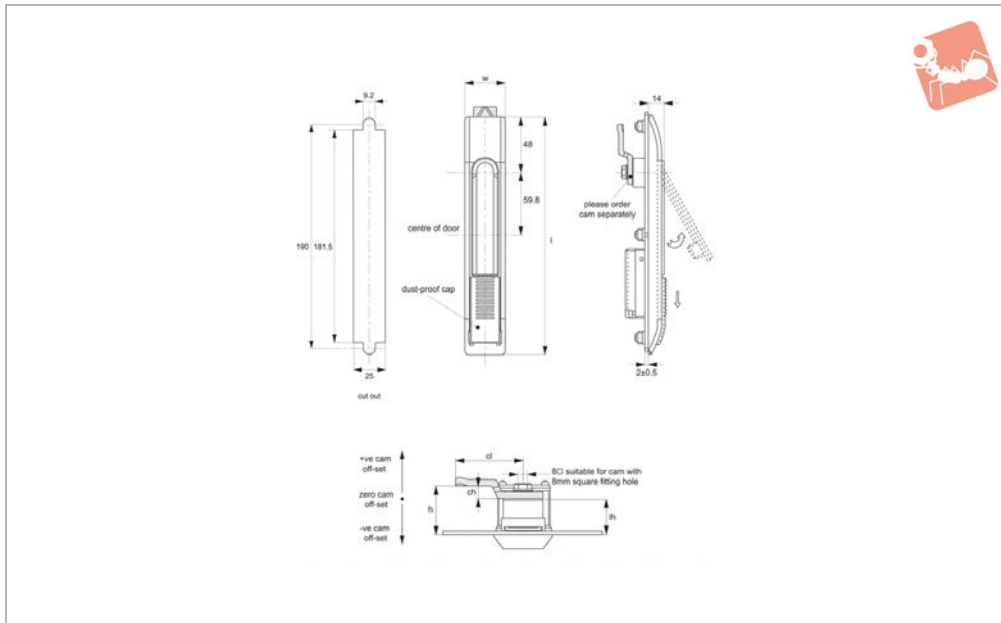
Order No.	Type	Lock type	Key type	l	w	lh
B1380.AW0010	With Button	Std. Cylinder	Keyed Alike	133	36	19
B1380.AW0020	W/o Button	Std. Cylinder	Keyed Alike	133	36	19



Swing Handles - Cam Control

40mm euro cylinder - sliding cover - polyamide

Swing Handles



B1450

SWING HANDLES

Material

Body & Handle: die cast zinc, black powder coated.

Cylinder lock: die cast zinc, chrome plated.

Supplied with: Keys: two per lock.

Not supplied: Cam: order separately.

Technical Notes

Order cam separately.

Cams: see suitable cam A0203, A0224 and A0240. Select „without projection“ cam type.

Dimensions ch and cl relate to cam. Use formula to calculate ch (required cam off-set), and refer to cam selection chart;

ch = h - lh where;

ch = required cam off-set/height.

h = grip length (distance between inside of latch face and front of cam).

lh = body length of cam latch/lock to be used (see product table below).

Rods & Guides: to achieve 3-point latching - A0303, A0321, A0325.

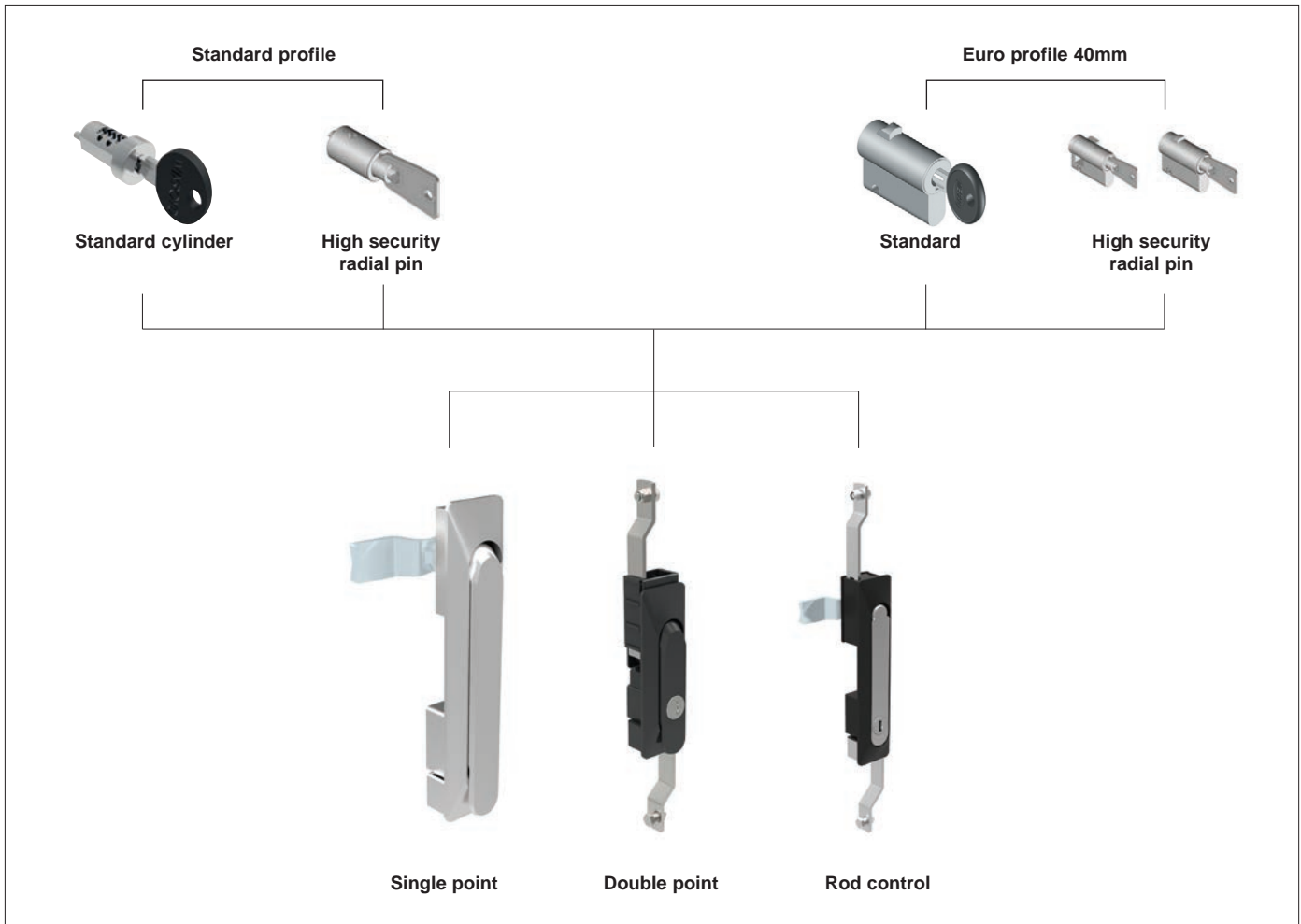
Order No.	Finish	Lock type	Key type	l	w	lh
B1450.AW0010	Black Coated	40 Euro	Keyed Alike	215.5	36	20



Wixroyd swing handles are a complete multi-point latching system with an ergonomic and stylish design, making them ideal for securing enclosures in applications as varied as telecoms, IT, electrical cabinets, special purpose machines, vending and gaming machines.

Swing handles

SWING HANDLES



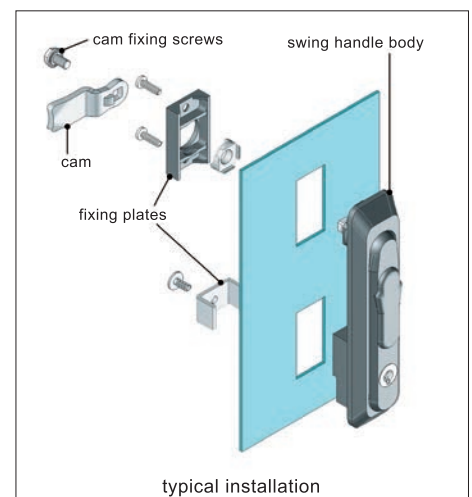
Easy Action - Upon unlocking, the handle lever springs forward and can be turned 90° to unfasten the cam and open the panel.

Installation

With many models supplied with easy to use mounting brackets, Wixroyd swing handles can be installed with minimum fuss.

Follow these guides:

1. Prior to commencing ensure the swing handle body, mounting bracket plate and cam are unassembled. Due to their unique integral foam gasket Wixroyd swing handle latches do not require a separate gasket.
2. Present handle body to the installation cut out in the panel.
3. Position mounting bracket, and attach with the screws supplied.
4. Attach cam to swing handle body, ensuring its correct orientation to the panel frame.



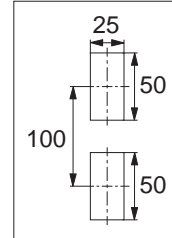


When selecting a Wixroyd Swing Handle for your application, you need to answer these questions:

1. Which installation cut out?
2. How many latching points are required?
3. Variety of material?
4. Gasketing and sealing?
5. Which locking and activation method?
6. Which accessories?
7. Which cam type and size?

Wixroyd Swing Handles are available in one of seven different cut out sizes, please refer to individual product details for availability.

If your application has a pre-existing cut out, then you need to select a replacement swing handle with a matching installation cut out.



Step 1:
Which installation cut out?

1, 2, 3 or more

Wixroyd Swing Handles provide a completely flexible multi-point latching system, for either one, two, three or more points of securing a cabinet or enclosure, when used in conjunction with our latching rod sets A0303 to A0325.

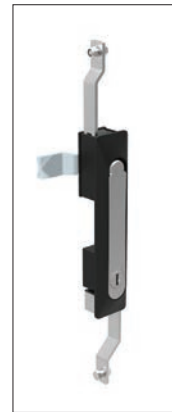
- Single point latching – Standard swing handle and single point cam.
- Double point latching – Swing handle with rod control mechanism (no cam).
- Three point or more latching – Swing handle with rod control mechanism and multi-point cam.



Single point Latching



Double point latching



Three point or more latching

Step 2:
How many latching points?



Plastic PA6



Die-cast zinc

Step 3:
Variety of materials

INSIDE GASKET

OUTSIDE GASKET

Inside or outside the gasket

It is also important to consider whether the swing handle will be mounted inside or outside of the gasket. Refer to individual products for suitability.

Application sealing protection

The unique design feature of a foam gasket incorporated into the housing of most of our swing handle latches, provides additional sealing in the application and contributes toward the IP65 (NEMA) rating of our swing handle latches.

Step 4:
Gasketing and sealing

IP65 RATED



Step 5: Which locking and actuation method?

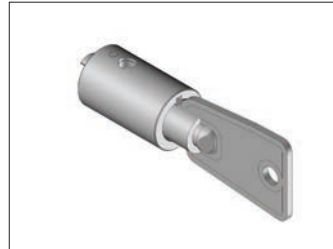
We offer a range of locking solutions with differing levels of security and anti-vandalism. Please refer to individual product table for availability.

The all brass construction and anti-drill centre of our high security radial pin locks provide excellent resistance to lock picking and vandalism.

With hundreds of thousands of possible key combinations the problem associated with duplicate keys is virtually eliminated.



Standard cylinder



High security radial pin



40mm Euro lock

Step 6: Which accessories?

Padlock hasps

On selected swing handle models we are able to offer the following additional features (please refer to individual product tables for availability).

Gasketing

Wixroyd have a wide range of gaskets which can be used on enclosures, machine panels, doors etc. Refer to our products Z0550 through Z1002.

Multi-point latching

Use parts A0303 to A0325 for suitable rod latching sets and rod guides.



Lock cover



Padlock hasp



Lock cover plus padlock hasp



A0325

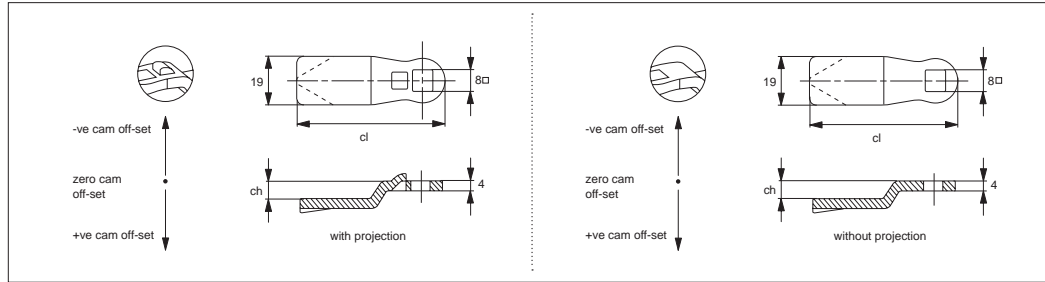


Gaskets



With or without "Projection"

Different swing handles require cams either with or without projection.



With projection cams prevent turning of the cam over 45°, but is not suited to all swing handles. For correct projection type please see individual swing handle technical pages.

Step 7:

Which cam type and size?

Wixroyd cams are available in a number of different materials; zinc plated steel, stainless steel (AISI 304) and black plastic.

Cam off-set (dimension ch)

To ensure your cam fully and correctly engages with the frame of your door the correct cam off-set must be selected. A cam off-set can be either negative (-ve) or positive (+ve).

Cam length (dimension cl)

This impacts the reach of the cam to door frame and hence impacts positioning of swing handle for installation. Cam length is measured from the centre of the cam fixing hole to the cam's leading edge.

Most typically cams are 45 mm in length.

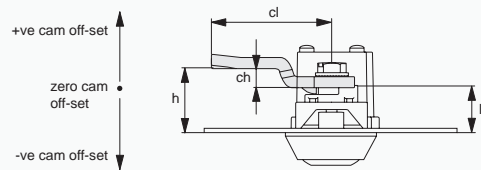
Use formula to calculate ch (required cam off-set), and refer to the cam selection chart.

$$ch = h - lh \text{ where;}$$

ch = the required cam off-set/height

h = grip length (distance between inside of latch face and front of cam).

lh = body length of swing handle to be used (see example below)



Calculation of correct cam off-set

This is the most important aspect of the selection process.

Example one

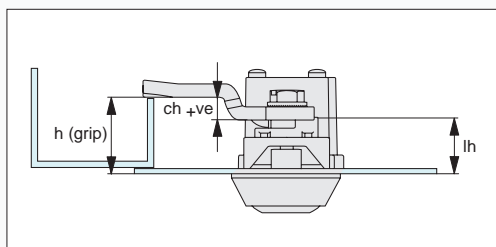
Cam body B1082.AW0010 has been selected for the application. If we refer to the data sheet for this part, suitable cams are parts A0203, A0210 or A0240 - "without projection".

Known application information: $h = 26$, $lh = 18$

Therefore; $ch = 26 - 18 = +8$

Cam off set of +8 is required

Using the data tables for cams A0203, A0210 and A0240 we can select the following cams without projection with an off set of +8; A0203.AW5408 (steel), A0210.AW0428 (stainless) or A0240.AW1408 (three point cam).



Example two

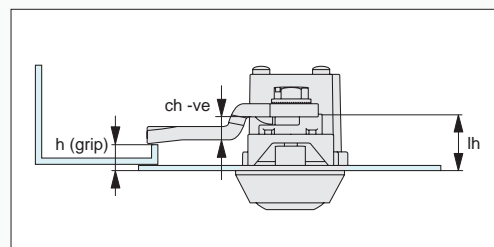
Cam body B1082.AW0010 has been selected for the application. If we refer to the data sheet for this part, suitable cams are parts A0203, A0210 or A0240 - "without projection".

Known application information: $h = 14$, $lh = 18$.

Therefore; $ch = 14 - 18 = -4$

The required cam off set is negative, -4 as the application's door frame is effectively shorter/lower than the length of the cam body

Using the data tables for cams A0203, A0210 and A0240 we can select the following cam without projection with an off set of - 4; A0203.AW6404 (steel).



Example of calculation of correct cam off-set



		Cylinder Profile	Body	Locking System	Use	Cam Type	
B1082 - Swing Handle - Padlockable		Std. Cylinder Lock 40mm Euro Padlockable Insert Driver	Die-Cast Zinc Polyamide Plastic Stainless Steel Steel Aluminium	IP Rating 1-point 2-point 3-point	Inside Gasketing Outside Gasketing With Projection W/O Projection		
		✓	✓	✓	✓	✓	
		Cams: A0203, A0224, A0240 - Keys: Supplied					
B1086 - Swing Handle - Dust Proof Cover		✓	✓	✓	✓	✓	
		Cams: A0203, A0224, A0240 - Keys: Supplied					
B1088 - Swing Handle - Padlockable		✓	✓	✓	✓	✓	
		Cams: A0203, A0224, A0240 - Keys: Supplied					
B1091 - Swing Handle - Dust Cover		✓	✓	✓	✓	✓	
		Cams: A0203, A0224, A0240 - Keys: Supplied					
B1092 - Swing Handle - Dust Proof Cover		✓	✓	✓	✓	✓	
		Cams: A0203, A0224, A0240 - Keys: Supplied					
B1281 - Swing Handle - Short		✓	✓	✓	✓	✓	
		Cams: A0203, A0224, A0240 - Keys: Supplied					
B1285 - Swing Handle - Padlockable		✓	✓	✓	✓	✓	
		Cams: A0203, A0224, A0240 - Keys: Supplied					
B1380 - Swing Handle - Short Version		✓	✓	✓	✓	✓	
		Cams: A0203, A0224, A0240 - Keys: Supplied					









	Cylinder Profile	Body	Locking System	Use	Cam Type
B2082 - Swing Handle - With Rod Control - Dust Proof Cover		Std. Cylinder Lock 40mm Euro Padlockable Insert Driver	Die-Cast Zinc Polyamide Plastic Stainless Steel Steel Aluminium	IP Rating 1-point 2-point 3-point	Inside Gasketing Outside Gasketing With Projection W/O Projection
	✓	✓	✓	✓	✓
	Cams: A0215 - Keys: Supplied				
B2084 - Swing Handle - With Rod Control - Magnetic Key		✓	✓	✓	✓
	Cams: A0215 - Keys: Supplied				
B2086 - Swing Handle - With Rod Control - Dust Proof Cover		✓	✓	✓	✓
	Cams: A0215 - Keys: Supplied				
B2088 - Swing Handle - With Rod Control - Padlockable		✓	✓	✓	✓
	Cams: A0215 - Keys: Supplied				
B2091 - Swing Handle - With Rod Control - Dust Proof Cover		✓	✓	✓	✓
	Cams: A2015 - Keys: Supplied				
B2181 - Swing Handle - With Rod Control		✓	✓	✓	✓
	Cams: A0215 - Keys: Supplied				
B2285 - Swing Handle - With Rod Control		✓	✓	✓	✓
	Cams: A0215 - Keys: Supplied				
B2380 - Swing Handle - with Rod Control		✓	✓	✓	✓
	Cams: A0215 - Keys: Supplied				







Wixroyd Cam Latches

product selection charts

Swing Handles & Paddle Latches

	Cylinder Profile	Body	Locking System	Use	Cam Type
	Std. Cylinder Lock 40mm Euro Padlockable Insert Driver	Die-Cast Zinc Polyamide Plastic Stainless Steel Aluminium	IP Rating 1-point 2-point 3-point	Inside Gasketing Outside Gasketing With Projection W/O Projection	
B1450 - Swing Handles - Cam Control - Sliding Cover	 ✓	✓	✓ ✓	✓	✓
Cams: A0203, A0224, A0240 - Keys: Supplied					
B2450 - Swing Handles - Rod Control - Sliding Cover	 ✓	✓	✓ ✓ ✓	✓	✓
Cams: N/A - Keys: Supplied					
B4604 - Cam Latch - Concealed T-handle, Vertical	 ✓	✓	65	✓	
Cams: Supplied - Keys: Padlockable					
B4703 - Push-to-Close Paddle Latch - Pull-to-Open	 ✓	✓	✓	✓	
Cams: N/A - Keys: Supplied					
B4713 - Push-to-Close Paddle Latch - Pull-to-Open	 ✓	✓	✓	✓	
Cams: N/A - Keys: Supplied					
B4733 - Push-to-Close Paddle Latch - Pull-to-Open	 ✓	✓	✓	✓	
Cams: N/A - Keys: Supplied					
B4750 - Push-to-Close Paddle Latch - Pull-to-Open	 ✓	✓	✓	✓	
Cams: N/A - Keys: Supplied					
B4752 - Push-to-Close Paddle Latch - Pull-to-Open	 ✓	✓	✓	✓	
Cams: N/A - Keys: Supplied					

	Cylinder Profile	Body	Locking System	Use	Cam Type
	Std. Cylinder Lock 40mm Euro Padlockable Insert Driver	Die-Cast Zinc Polyamide Plastic Stainless Steel Aluminium	IP Rating 1-point 2-point 3-point	Inside Gasketing Outside Gasketing With Projection W/O Projection	
B4754 - Push-to-Close Paddle Latch - Pull-to-Open	 ✓	✓	✓	✓	
Cams: N/A - Keys: Supplied					
B4756 - Push-to-Close Paddle Latch - Pull-to-Open	 ✓	✓	✓	✓	
Cams: N/A - Keys: Supplied					
B4758 - Push-to-Close Paddle Latch - Pull-to-Open	 ✓	✓	✓ ✓	✓	
Cams: N/A - Keys: Supplied					
B4800 - Twist-to-Close Paddle Latch - Snap-On	 ✓	✓	✓	✓	
Cams: N/A - Keys: Supplied					

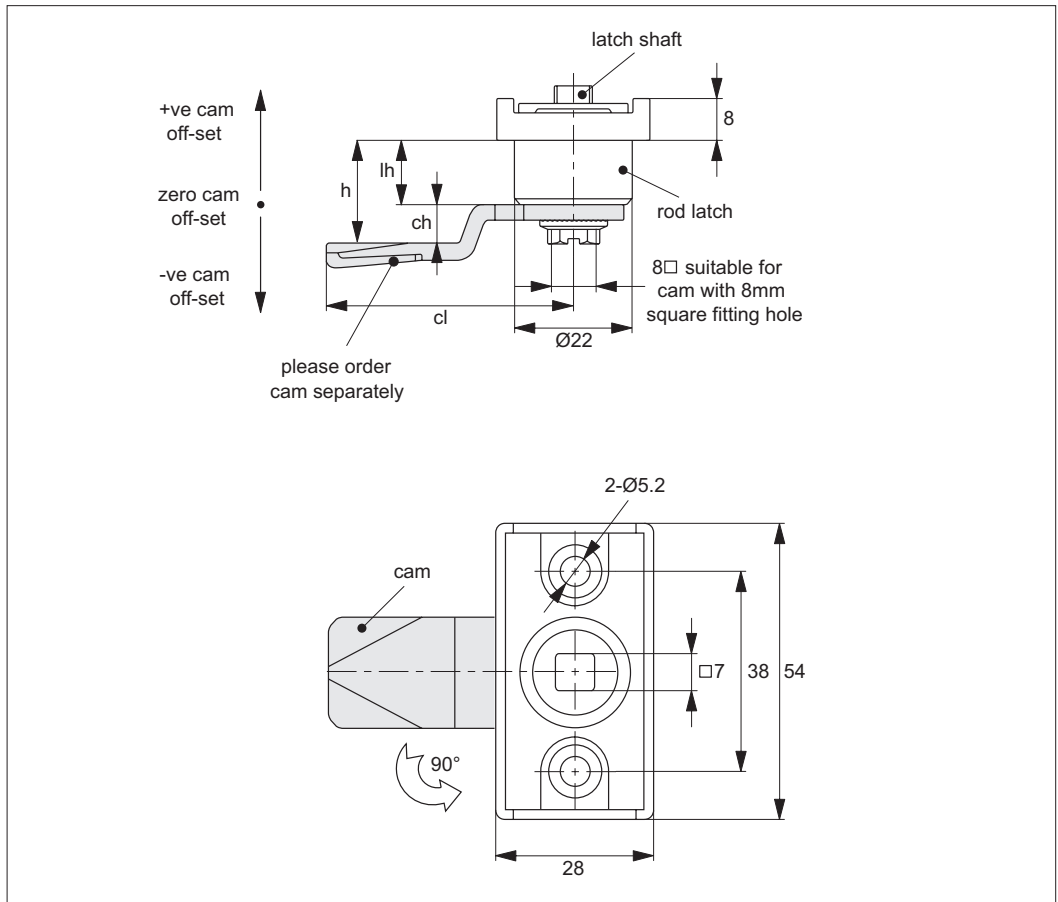
SWING HANDLES

ov-WB1450-A-T-WB4800-A-T-cam-latches-product-selection-chart-rmh-Updated -25-10-2022



Swing Handles - Cam Control

Dimensional details for our cam control mechanism used in many of our Swing Handles **B1082** through **B1450**.



Swing Handles - Cam Control - Universal

Swing Handles with cam control are for universal left or right hand use. Use one of the following two methods to switch the cam control mechanism from left or right, to suit your application. The descriptions below are for changing a cam control from left to right, to switch from right to left follow a reverse process.

Method One: with the cam control elements unattached from the swing handle body, simply rotate the cam control elements 180° degrees then re-attach to the swing handle body.

Method Two: this method can be used with the cam control elements already attached to the swing handle body. Firstly rotate the cam 90°, the cam control shaft will also rotate 90°. Secondly, remove the cam and re-attach on the right hand side.

