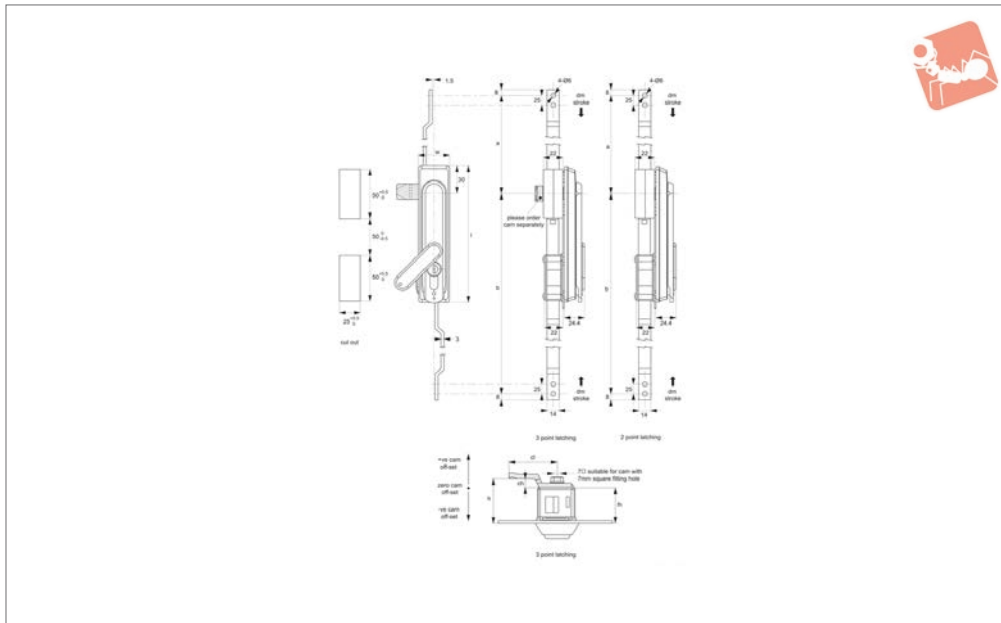




Swing Handles - with Rod Control

40mm euro cylinder lock - dust cover - zinc or poly-

Swing Handles



B2082

SWING HANDLES

Material

Type One: Body & Handle: die cast zinc, black powder coated.

Type Two: Body: Polyamide PA6, black. Handle: die cast zinc, black powder coated. Cylinder lock: die cast zinc, chrome plated. Rod Control Mechanism: die cast zinc.

Supplied with: Keys: two per lock.

Not supplied: Cam: order separately.

Technical Notes

All locks are **keyed alike**.

Order cam separately.

Three point latching model utilises rod control plus a cam.

Two point latching model cannot accommodate a cam.

Cams: see suitable cam A0215. Select „without projection“ cam type.

Dimensions ch and cl relate to cam. Use formula to calculate ch (required cam off-set), and refer to cam selection chart;

ch = h - lh where;

ch = required cam off-set/height.

h = grip length (distance between inside of

latch face and front of cam).

lh = body length of cam latch/lock to be used (see product table below).

Rods & Guides: to achieve 3-point latching - A0303, A0321, A0325.

Tips

90° degree handle rotation combines with rod latch to open or close. Panel thickness 1-4mm. All the cast metal construction provides higher strength.

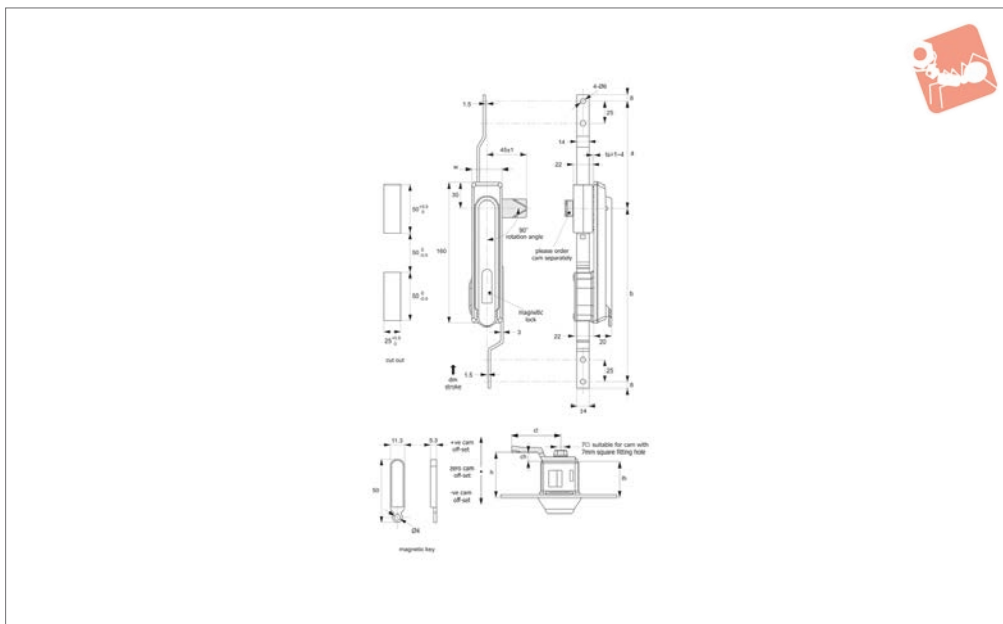
Order No.	Type	Body	Handle	Latching type	l	Padlockable	w	lh	a	b	dm stroke
B2082.AW0010	One	Zinc	Zinc	2 point	160	No	34	23	122	196	15
B2082.AW0020	One	Zinc	Zinc	2 point	160	Yes	34	23	196	122	15
B2082.AW0110	One	Zinc	Zinc	3 point	160	No	34	23	122	196	15
B2082.AW0120	One	Zinc	Zinc	3 point	160	Yes	34	23	196	122	15
B2082.AW0310	Two	Polyamide	Zinc	3 point	160	No	34	23	196	122	15
B2082.AW0320	Two	Polyamide	Zinc	3 point	160	Yes	34	23	196	122	15



SWING HANDLES



B2084



Material

Body & Handle: die cast zinc, block powder coated.

Rod Control Mechanism: die cast zinc.

Supplied with: Cam: steel, zinc plated.

Key: magnetic key.

Technical Notes

Order cam separately.

Cams: see suitable cam A0215. Select

„without projection“ cam type.

Dimensions ch and cl relate to cam. Use formula to calculate ch (required cam off-

set), and refer to cam selection chart;

ch = h - lh where;

ch = required cam off-set/height.

h = grip length (distance between inside of latch face and front of cam).

lh = body length of cam latch/lock to be used (see product table below).

Rods & Guides: to achieve 3-point latching - A0303, A0321, A0325.

Tips

Universal left or right hand locking achievable

Suitable for panel thickness 1 - 4mm.

Important Notes

Place magnetic key over magnetic lock to release handle. Lift and turn handle to release cam and rod controls to open panel. Magnetic lock system ensures lock mechanism is never exposed, giving less risk of dust or other external ingress.

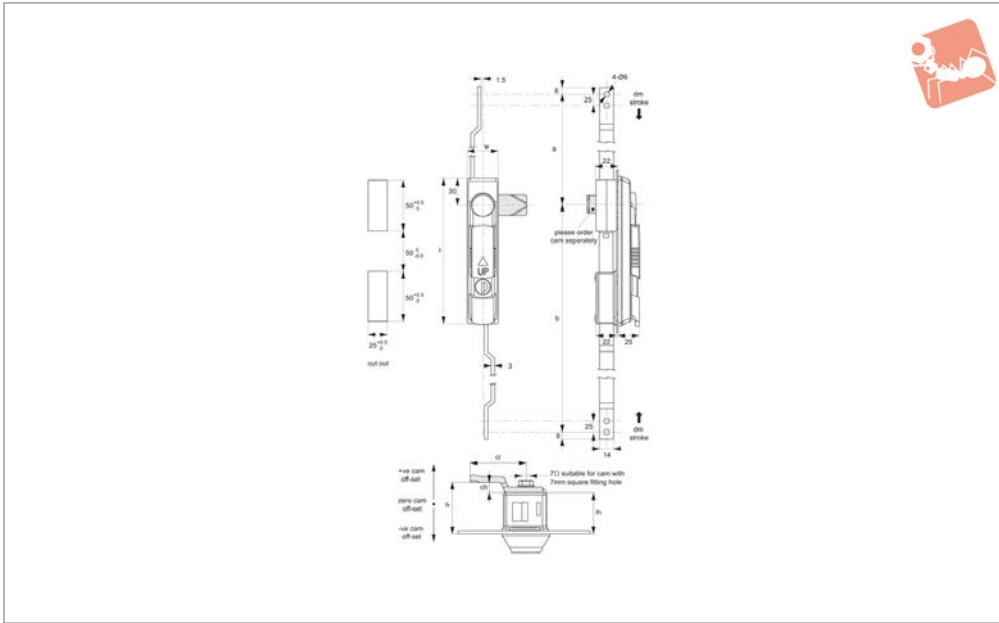
Order No.	Finish	Lock type	Key type	w	lh	a	b	dm stroke
B2084.AW0010	Black Coated	Magnetic	Magnetic Security	34	23	122	196	15



Swing Handles - with Rod Control

standard cylinder lock - dust proof cover - zinc or

Swing Handles



B2086

SWING HANDLES

Material

Type One: Body & Handle: die cast zinc, black powder coated.

Type Two: Body: Polyamide PA6, black.
Handle: die cast zinc, black powder coated.
Cylinder lock: die cast zinc, chrome plated.
Rod Control Mechanism: die cast zinc.

Supplied with: Keys: two per lock.

Not supplied: Cam: order separately.

Technical Notes

Order cam separately.

Cams: see suitable cam A0215. Select „without projection“ cam type.

Dimensions *ch* and *cl* relate to cam. Use formula to calculate *ch* (required cam off-set), and refer to cam selection chart;

ch = h - lh where;

ch = required cam off-set/height.

h = grip length (distance between inside of latch face and front of cam).

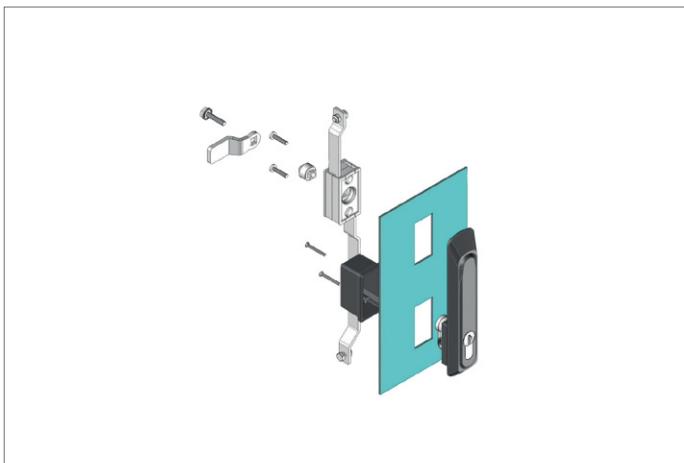
lh = body length of cam latch/lock to be used (see product table below).

Rods & Guides: to achieve 3-point latching - A0303, A0321, A0325.

Tips

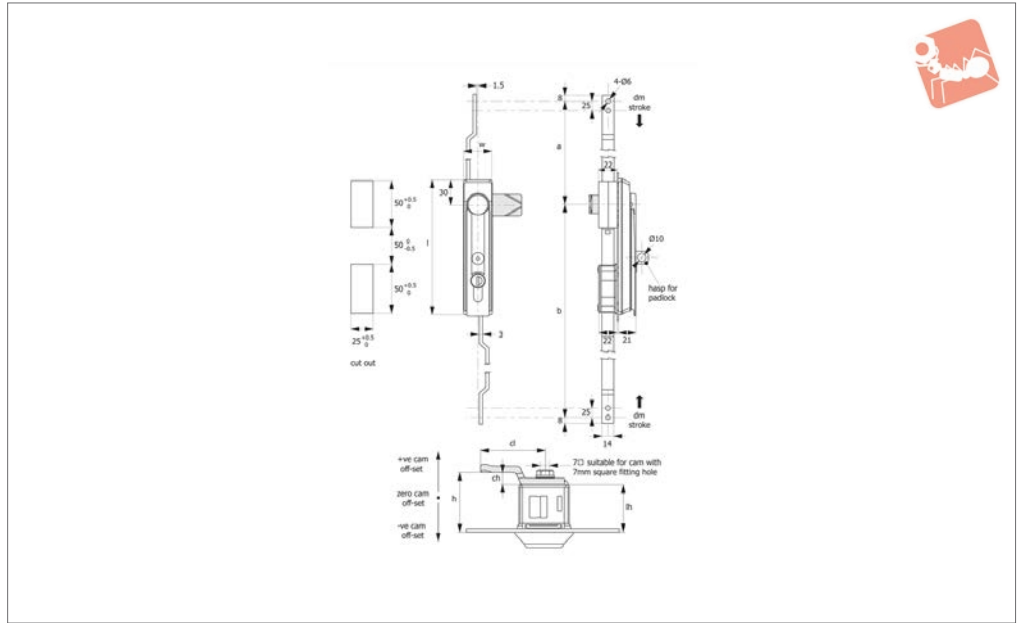
90° degree handle rotation combines with rod latch to open or close. Suitable for panel thickness 1-4mm. For use inside of cabinet gasket.

Order No.	Type	Body	Handle	Lock type	Key type	l	w	lh	a	b	dm stroke
B2086.AW0010	One	Zinc	Zinc	Std. Cylinder	Keyed Alike	160	34	23	122	196	15
B2086.AW0310	Two	Polyamide	Zinc	Std. Cylinder	Keyed Alike	160	34	23	122	196	15





B2088



Material

Type One: Body & Handle: die cast zinc, black powder coated.

Type Two: Body: Polyamide PA6, black. Handle: die cast zinc, black powder coated.

Cylinder lock: die cast zinc, chrome plated.

Rod Control Mechanism: die cast zinc.

Supplied with: Keys: two per lock.

Not supplied: Cam: order separately.

Technical Notes

Order cam separately.

Cams: see suitable cam A0215. Select

„without projection“ cam type.

Dimensions ch and cl relate to cam. Use formula to calculate ch (required cam off-set), and refer to cam selection chart;

ch = h - lh where;

ch = required cam off-set/height.

h = grip length (distance between inside of latch face and front of cam).

lh = body length of cam latch/lock to be used (see product table below).

Rods & Guides: to achieve 3-point latching - A0303, A0321, A0325.

Tips

90° degree handle rotation combines with rod latch to open or close. All die cast metal construction provides higher strength than standard models. Ideal for electrical cabinets, telecom racks or enclosures max. panel thickness of 1 to 4mm. For use inside of cabinet gasket. Universal left/right.

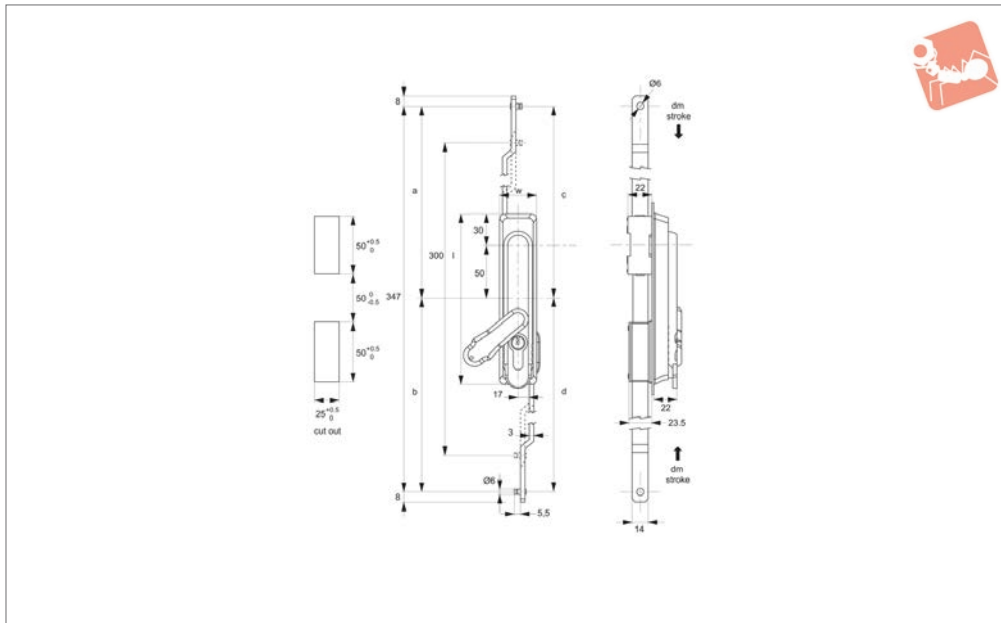
Order No.	Body	Handle	Lock type	Key type	l	Padlockable	w	lh	a	b	dm stroke
B2088.AW0010	Zinc	Zinc	40 Euro	Keyed Alike	160	No	34	23	122	196	15
B2088.AW0310	Polyamide	Zinc	40 Euro	Keyed Alike	160	No	34	23	122	196	15
B2088.AW0020	Zinc	Zinc	40 Euro	Keyed Alike	160	Yes	34	23	122	196	15
B2088.AW0320	Polyamide	Zinc	40 Euro	Keyed Alike	160	Yes	34	23	122	196	15



Swing Handles - with Rod Control

40mm euro cylinder lock - dust cover - polyamide

Swing Handles



B2091

SWING HANDLES

Material

Body & Handle: polyamide (PA), black.
 Cylinder lock: die cast zinc, chrome plated.
 Rod Control Mechanism: die cast zinc.
Supplied with: Keys: two per lock.
Not supplied: Cam: order separately.

Technical Notes

Suitable for two point latching.
 Not suitable for three point latching.

Tips

Also available with radial pin lock, subject

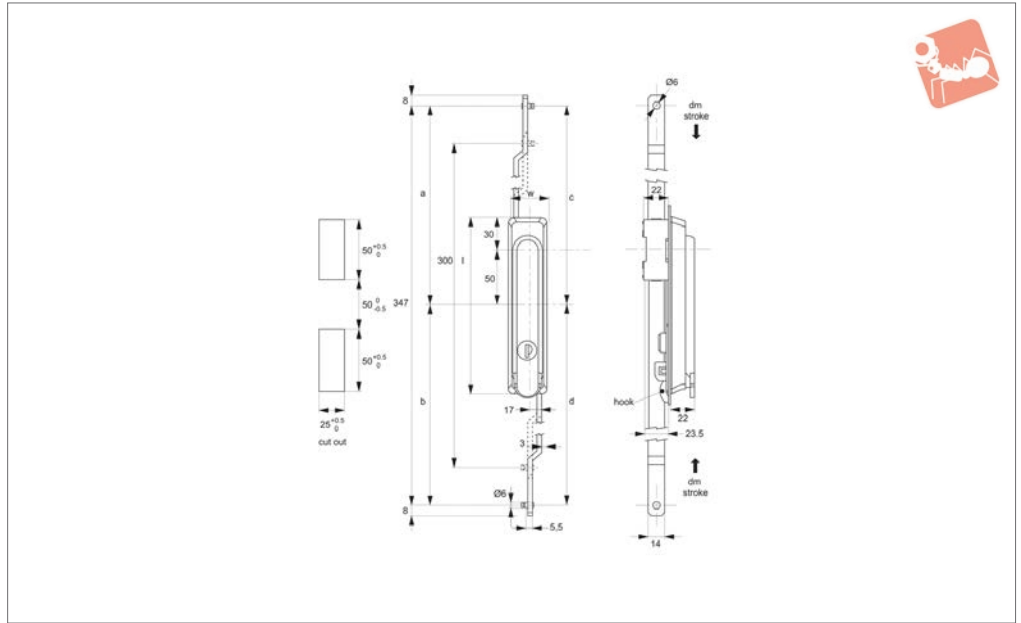
to min. order quantity.

Ideal for electrical cabinets, telecom racks or enclosures max. panel thickness of 2mm. For use inside of cabinet gasket. Universal left/right.

Order No.	Finish	Lock type	Key type	l	w	lh	a	b	c	d	dm stroke 135°	dm stroke 90°
B2091.AW0020	Black, Plastic	40 Euro	Keyed Alike	160	35	23	123.5	223.5	173.5	173.5	23.5	16



B2181



Material

Body & Handle: polyamide (PA), black.
 Cylinder lock: die cast zinc, chrome plated.
 Rod Control Mechanism: die cast zinc.

Supplied with: Keys: two per lock.

Not supplied: Rods: order separately.

Technical Notes

Suitable for two point latching.
 Not suitable for three point latching.

Rods & Guides: A0303, A0321, A0325.

Tips

Suitable for panel thickness 1 - 2mm.

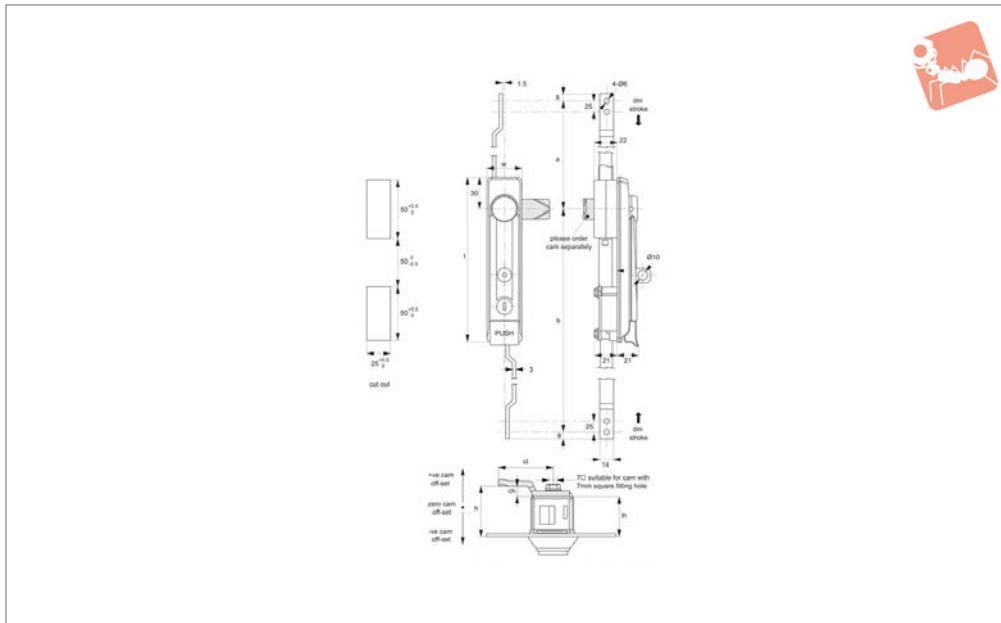
Order No.	Finish	Latching type	Key type	l	w	lh	a	b	c	d	dm stroke 135°	dm stroke 90°
B2181.AW0010	Black, Plastic	2-Point	Keyed Alike	160	35	22	123.5	223.5	173.5	173.5	23.5	16



Swing Handles - with Rod Control

standard cylinder - zinc

Swing Handles



B2285

SWING HANDLES

Material

Body & Handle: die cast zinc, black powder coated.

Cylinder lock: die cast zinc, chrome plated.

Rod Control Mechanism: die cast zinc.

Supplied with: Keys: two per lock.

Not supplied: Cam: order separately.

Technical Notes

Order cam separately.

Cams: see suitable cam A0215. Select „without projection“ cam type.

Dimensions ch and cl relate to cam. Use formula to calculate ch (required cam off-set), and refer to cam selection chart;

$ch = h - lh$ where;

ch = required cam off-set/height.

h = grip length (distance between inside of latch face and front of cam).

lh = body length of cam latch/lock to be used (see product table below).

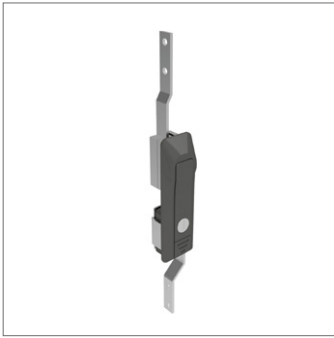
Rods & Guides: to achieve 3-point latching - A0303, A0321, A0325.

Padlock models: suitable for padlock shackle max. diameter 10mm.

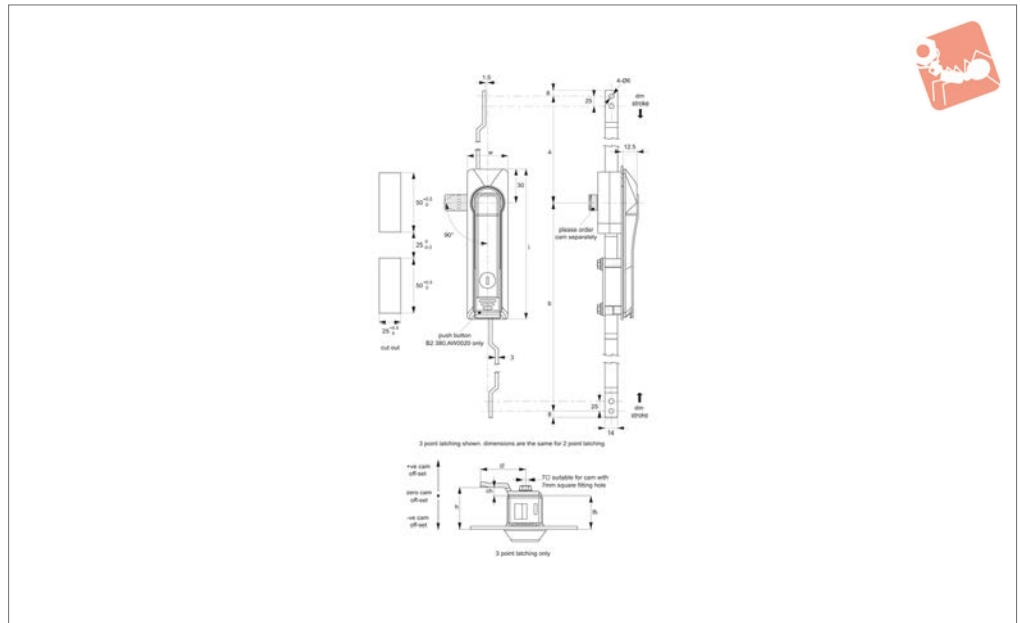
Tips

Suitable for panel thickness 1-3mm

Order No.	Finish	Lock type	Key type	Button	l	Padlockable	w	lh	a	b	dm stroke
B2285.AW0010	Black Coated	Std. Cylinder	Keyed Alike	With	158	No	34	23	122	196	15
B2285.AW0020	Black Coated	Std. Cylinder	Keyed Alike	With	158	Yes	34	23	122	196	15
B2285.AW0050	Black Coated	Std. Cylinder	Keyed Alike	W/o	158	No	34	23	122	196	15
B2285.AW0060	Black Coated	Std. Cylinder	Keyed Alike	W/o	158	Yes	34	23	122	196	15



B2380



Material

Body & Handle: die cast zinc, black powder coated.

Cylinder lock: die cast zinc, chrome plated.

Rod Control Mechanism: die cast zinc.

Supplied with: Keys: two per lock.

Not supplied: Cam: order separately.

Technical Notes

Please note that the two point latching models use a bespoke mechanism. A cam

cannot be fitted to it to create a three point latching.

Order cam separately.

Cams: see suitable cam A0215. Select „without projection“ cam type.

Dimensions ch and cl relate to cam. Use formula to calculate ch (required cam off-set), and refer to cam selection chart;

ch = h - lh where;

ch = required cam off-set/height.

h = grip length (distance between inside of latch face and front of cam).

lh = body length of cam latch/lock to be used (see product table below).

Rods & Guides: to achieve 3-point latching - A0303, A0321, A0325.

Tips

Suitable for panel thickness 1-4mm. For indoor or outdoor use. For use inside or outside gasket.

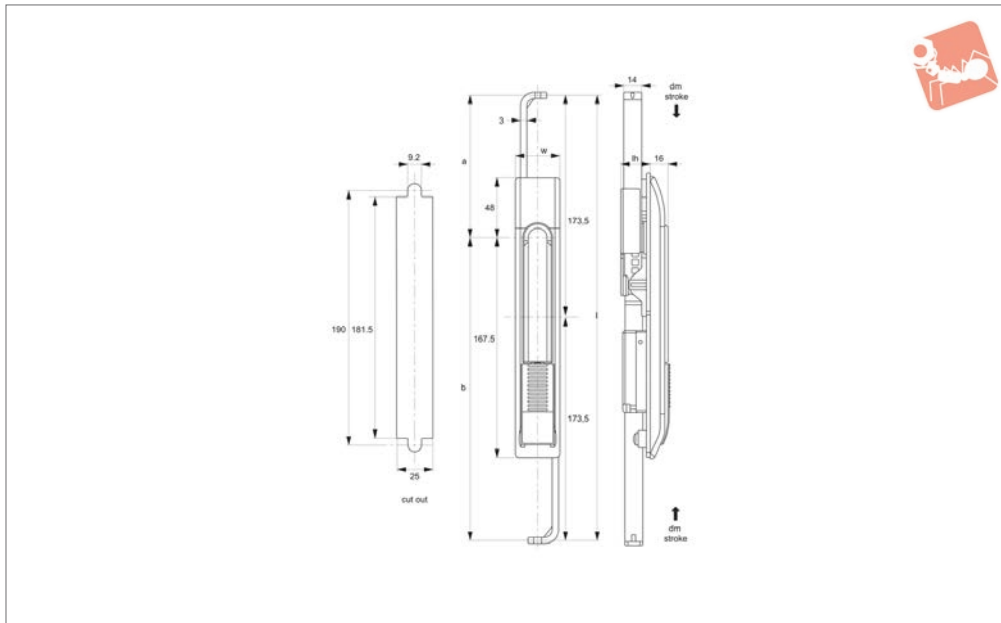
Order No.	Finish	Latching type	Key type	Button	l	w	lh	a	b	dm stroke
B2380.AW0010	Black Coated	3	Keyed Alike	W/o	133	36	22	122	196	15
B2380.AW0020	Black Coated	3	Keyed Alike	With	133	36	22	122	196	15
B2380.AW0030	Black Coated	2	Keyed Alike	W/o	133	36	22	122	196	15
B2380.AW0040	Black Coated	2	Keyed Alike	With	133	36	22	122	196	15



Swing Handles - with Rod Control

40mm euro cylinder lock - sliding cover - polyamide

Swing Handles



B2450

SWING HANDLES

Material

Body: polyamide plastic, black.
 Handle: die cast zinc, chrome plated.
 Cylinder lock: die cast zinc, chrome plated.
 Rod Control Mechanism: die cast zinc.
Supplied with: Keys: two per lock.

bottom of panel. Not suitable for 3 point clamping.
 Unlock handle to release, lift and turn to activate rod control mechanism and release panel.
 Sliding lock cover prevents ingress of dust etc. into lock mechanism.

Tips

Suitable for panel thickness 1 to 2mm.

Technical Notes

Achieves 2 point clamping at top and

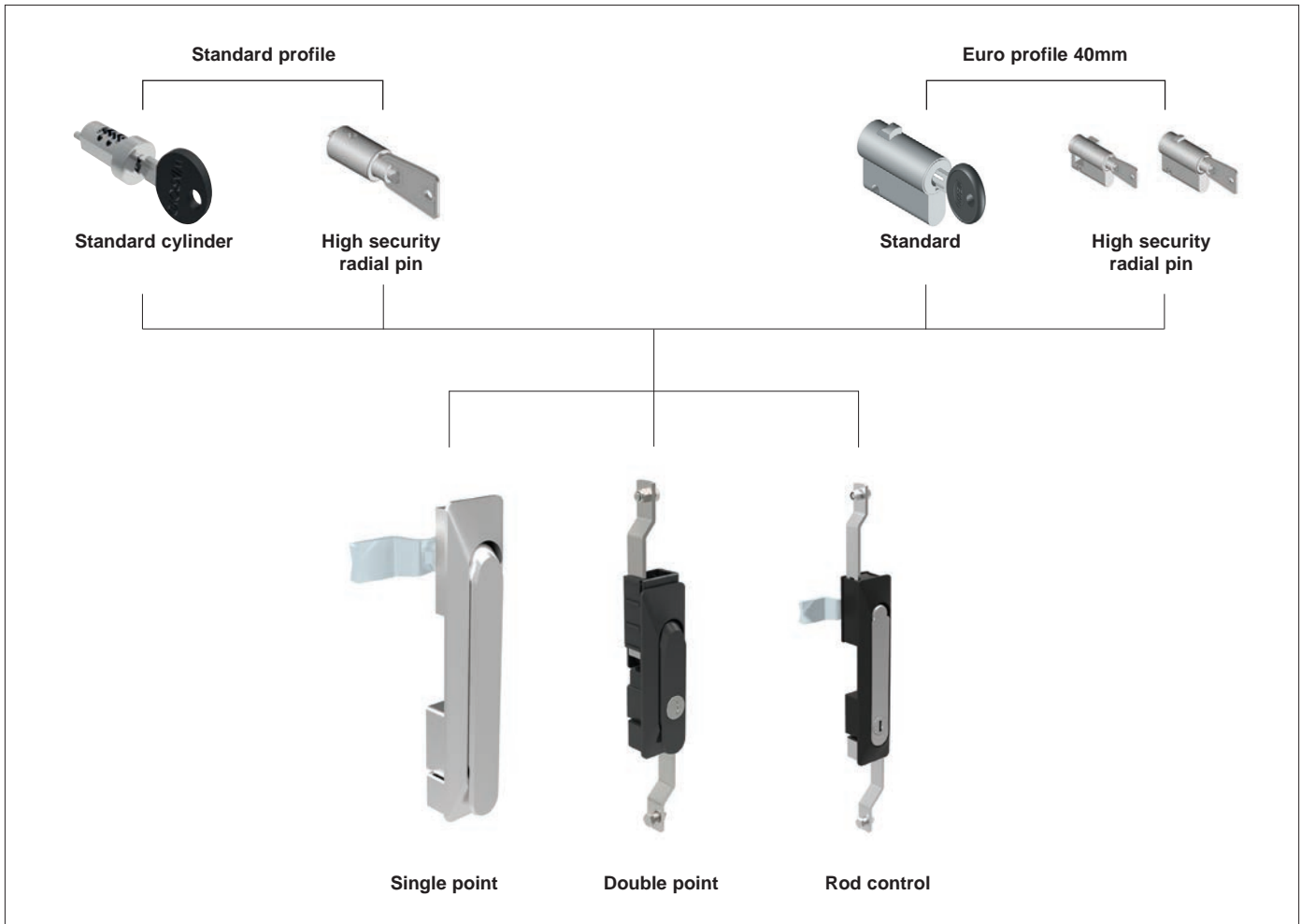
Order No.	Finish	Lock type	Key type	l	w	lh	a	b	dm stroke 135°	dm stroke 90°
B2450.AW0010	Black Coated	40 Euro	Keyed Alike	347	36	20	113.8	233.2	23.5	16.0



Wixroyd swing handles are a complete multi-point latching system with an ergonomic and stylish design, making them ideal for securing enclosures in applications as varied as telecoms, IT, electrical cabinets, special purpose machines, vending and gaming machines.

Swing handles

SWING HANDLES



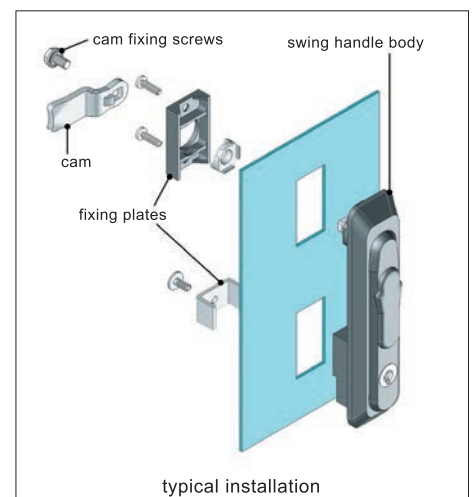
Easy Action - Upon unlocking, the handle lever springs forward and can be turned 90° to unfasten the cam and open the panel.

Installation

With many models supplied with easy to use mounting brackets, Wixroyd swing handles can be installed with minimum fuss.

Follow these guides:

1. Prior to commencing ensure the swing handle body, mounting bracket plate and cam are unassembled. Due to their unique integral foam gasket Wixroyd swing handle latches do not require a separate gasket.
2. Present handle body to the installation cut out in the panel.
3. Position mounting bracket, and attach with the screws supplied.
4. Attach cam to swing handle body, ensuring its correct orientation to the panel frame.



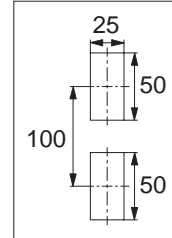


When selecting a Wixroyd Swing Handle for your application, you need to answer these questions:

1. Which installation cut out?
2. How many latching points are required?
3. Variety of material?
4. Gasketing and sealing?
5. Which locking and activation method?
6. Which accessories?
7. Which cam type and size?

Wixroyd Swing Handles are available in one of seven different cut out sizes, please refer to individual product details for availability.

If your application has a pre-existing cut out, then you need to select a replacement swing handle with a matching installation cut out.



Step 1:
Which installation cut out?

1, 2, 3 or more

Wixroyd Swing Handles provide a completely flexible multi-point latching system, for either one, two, three or more points of securing a cabinet or enclosure, when used in conjunction with our latching rod sets A0303 to A0325.

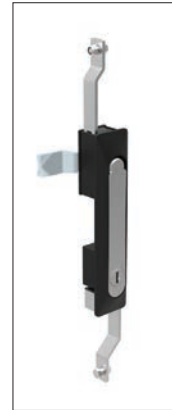
- Single point latching – Standard swing handle and single point cam.
- Double point latching – Swing handle with rod control mechanism (no cam).
- Three point or more latching – Swing handle with rod control mechanism and multi-point cam.



Single point Latching



Double point latching



Three point or more latching

Step 2:
How many latching points?



Plastic PA6



Die-cast zinc

Step 3:
Variety of materials

INSIDE GASKET

OUTSIDE GASKET

Inside or outside the gasket

It is also important to consider whether the swing handle will be mounted inside or outside of the gasket. Refer to individual products for suitability.

Application sealing protection

The unique design feature of a foam gasket incorporated into the housing of most of our swing handle latches, provides additional sealing in the application and contributes toward the IP65 (NEMA) rating of our swing handle latches.

IP65 RATED

Step 4:
Gasketing and sealing



Step 5: Which locking and actuation method?

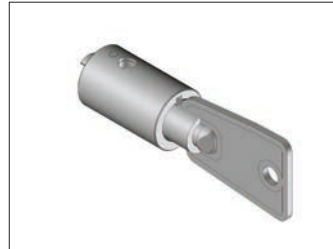
We offer a range of locking solutions with differing levels of security and anti-vandalism. Please refer to individual product table for availability.

The all brass construction and anti-drill centre of our high security radial pin locks provide excellent resistance to lock picking and vandalism.

With hundreds of thousands of possible key combinations the problem associated with duplicate keys is virtually eliminated.



Standard cylinder



High security radial pin



40mm Euro lock

Step 6: Which accessories?

Padlock hasps

On selected swing handle models we are able to offer the following additional features (please refer to individual product tables for availability).

Gasketing

Wixroyd have a wide range of gaskets which can be used on enclosures, machine panels, doors etc. Refer to our products Z0550 through Z1002.

Multi-point latching

Use parts A0303 to A0325 for suitable rod latching sets and rod guides.



Lock cover



Padlock hasp



Lock cover plus padlock hasp



A0325

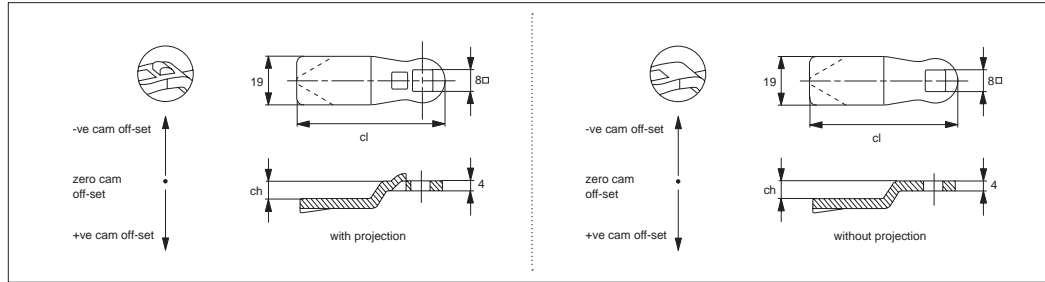


Gaskets



With or without "Projection"

Different swing handles require cams either with or without projection.



With projection cams prevent turning of the cam over 45°, but is not suited to all swing handles. For correct projection type please see individual swing handle technical pages.

Step 7:

Which cam type and size?

Wixroyd cams are available in a number of different materials; zinc plated steel, stainless steel (AISI 304) and black plastic.

Cam off-set (dimension ch)

To ensure your cam fully and correctly engages with the frame of your door the correct cam off-set must be selected. A cam off-set can be either negative (-ve) or positive (+ve).

Cam length (dimension cl)

This impacts the reach of the cam to door frame and hence impacts positioning of swing handle for installation. Cam length is measured from the centre of the cam fixing hole to the cam's leading edge.

Most typically cams are 45 mm in length.

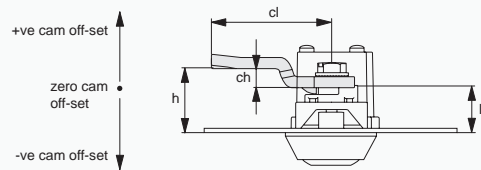
Use formula to calculate ch (required cam off-set), and refer to the cam selection chart.

$$ch = h - lh \text{ where;}$$

ch = the required cam off-set/height

h = grip length (distance between inside of latch face and front of cam).

lh = body length of swing handle to be used (see example below)



Calculation of correct cam off-set

This is the most important aspect of the selection process.

Example one

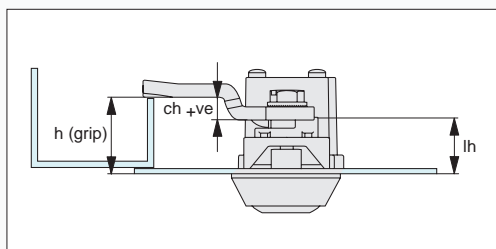
Cam body B1082.AW0010 has been selected for the application. If we refer to the data sheet for this part, suitable cams are parts A0203, A0210 or A0240 - "without projection".

Known application information: h = 26, lh = 18

Therefore; ch = 26 - 18 = +8

Cam off set of +8 is required

Using the data tables for cams A0203, A0210 and A0240 we can select the following cams without projection with an off set of +8; A0203.AW5408 (steel), A0210.AW0428 (stainless) or A0240.AW1408 (three point cam).



Example two

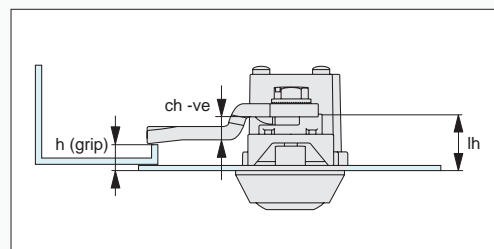
Cam body B1082.AW0010 has been selected for the application. If we refer to the data sheet for this part, suitable cams are parts A0203, A0210 or A0240 - "without projection".

Known application information: h = 14, lh = 18.

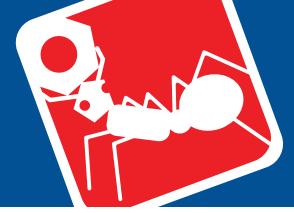
Therefore; ch = 14 - 18 = -4

The required cam off set is negative, -4 as the application's door frame is effectively shorter/lower than the length of the cam body

Using the data tables for cams A0203, A0210 and A0240 we can select the following cam without projection with an off set of - 4; A0203.AW6404 (steel).



Example of calculation of correct cam off-set



	Cylinder Profile	Body	IP Rating	Locking System			Use		Cam Type
	Std. Cylinder Lock 40mm Euro Padlockable Insert Driver	Die-Cast Zinc Polyamide Plastic Stainless Steel Aluminium		1-point 2-point 3-point	Inside Gasketing	Outside Gasketing	With Projection	W/O Projection	
B1082 - Swing Handle - Padlockable 	✓	✓	65	✓	✓	✓	✓	✓	
Cams: A0203, A0224, A0240 - Keys: Supplied									
B1086 - Swing Handle - Dust Proof Cover 	✓	✓	65	✓	✓	✓	✓	✓	
Cams: A0203, A0224, A0240 - Keys: Supplied									
B1088 - Swing Handle - Padlockable 	✓	✓	65	✓	✓	✓	✓	✓	
Cams: A0203, A0224, A0240 - Keys: Supplied									
B1091 - Swing Handle - Dust Cover 	✓	✓	65	✓	✓	✓	✓	✓	
Cams: A0203, A0224, A0240 - Keys: Supplied									
B1092 - Swing Handle - Dust Proof Cover 	✓	✓	65	✓	✓	✓	✓	✓	
Cams: A0203, A0224, A0240 - Keys: Supplied									
B1281 - Swing Handle - Short 	✓	✓	54	✓	✓	✓	✓	✓	
Cams: A0203, A0224, A0240 - Keys: Supplied									
B1285 - Swing Handle - Padlockable 	✓	✓	54	✓	✓	✓	✓	✓	
Cams: A0203, A0224, A0240 - Keys: Supplied									
B1380 - Swing Handle - Short Version 	✓	✓	54	✓	✓	✓	✓	✓	
Cams: A0203, A0224, A0240 - Keys: Supplied									




	Cylinder Profile	Body	IP Rating	Locking System			Use		Cam Type
	Std. Cylinder Lock 40mm Euro Padlockable Insert Driver	Die-Cast Zinc Polyamide Plastic Stainless Steel Aluminium		1-point 2-point 3-point	Inside Gasketing	Outside Gasketing	With Projection	W/O Projection	
B2082 - Swing Handle - With Rod Control - Dust Proof Cover 	✓	✓	54	✓	✓	✓	✓	✓	
Cams: A0215 - Keys: Supplied									
B2084 - Swing Handle - With Rod Control - Magnetic Key 	✓	✓	54	✓	✓	✓	✓	✓	
Cams: A0215 - Keys: Supplied									
B2086 - Swing Handle - With Rod Control - Dust Proof Cover 	✓	✓	54	✓	✓	✓	✓	✓	
Cams: A0215 - Keys: Supplied									
B2088 - Swing Handle - With Rod Control - Padlockable 	✓	✓	65	✓	✓	✓	✓	✓	
Cams: A0215 - Keys: Supplied									
B2091 - Swing Handle - With Rod Control - Dust Proof Cover 	✓	✓	65	✓	✓	✓	✓	✓	
Cams: A2015 - Keys: Supplied									
B2181 - Swing Handle - With Rod Control 	✓	✓	65	✓	✓	✓	✓	✓	
Cams: A0215 - Keys: Supplied									
B2285 - Swing Handle - With Rod Control 	✓	✓	65	✓	✓	✓	✓	✓	
Cams: A0215 - Keys: Supplied									
B2380 - Swing Handle - with Rod Control 	✓	✓	54	✓	✓	✓	✓	✓	
Cams: A0215 - Keys: Supplied									







Wixroyd Cam Latches

product selection charts

Swing Handles & Paddle Latches

	Cylinder Profile	Body	Locking System	Use	Cam Type
	Std. Cylinder Lock 40mm Euro Padlockable Insert Driver	Die-Cast Zinc Polyamide Plastic Stainless Steel Aluminium	IP Rating 1-point 2-point 3-point	Inside Gasketing Outside Gasketing With Projection W/O Projection	
B1450 - Swing Handles - Cam Control - Sliding Cover		✓	✓	✓	✓
Cams: A0203, A0224, A0240 - Keys: Supplied					
B2450 - Swing Handles - Rod Control - Sliding Cover		✓	✓	✓	✓
Cams: N/A - Keys: Supplied					
B4604 - Cam Latch - Concealed T-handle, Vertical		✓	65	✓	✓
Cams: Supplied - Keys: Padlockable					
B4703 - Push-to-Close Paddle Latch - Pull-to-Open		✓	✓	✓	✓
Cams: N/A - Keys: Supplied					
B4713 - Push-to-Close Paddle Latch - Pull-to-Open		✓	✓	✓	✓
Cams: N/A - Keys: Supplied					
B4733 - Push-to-Close Paddle Latch - Pull-to-Open		✓	✓	✓	✓
Cams: N/A - Keys: Supplied					
B4750 - Push-to-Close Paddle Latch - Pull-to-Open		✓	✓	✓	✓
Cams: N/A - Keys: Supplied					
B4752 - Push-to-Close Paddle Latch - Pull-to-Open		✓	✓	✓	✓
Cams: N/A - Keys: Supplied					

	Cylinder Profile	Body	Locking System	Use	Cam Type
	Std. Cylinder Lock 40mm Euro Padlockable Insert Driver	Die-Cast Zinc Polyamide Plastic Stainless Steel Aluminium	IP Rating 1-point 2-point 3-point	Inside Gasketing Outside Gasketing With Projection W/O Projection	
B4754 - Push-to-Close Paddle Latch - Pull-to-Open		✓	✓	✓	✓
Cams: N/A - Keys: Supplied					
B4756 - Push-to-Close Paddle Latch - Pull-to-Open		✓	✓	✓	✓
Cams: N/A - Keys: Supplied					
B4758 - Push-to-Close Paddle Latch - Pull-to-Open		✓	✓	✓	✓
Cams: N/A - Keys: Supplied					
B4800 - Twist-to-Close Paddle Latch - Snap-On		✓	✓	✓	✓
Cams: N/A - Keys: Supplied					

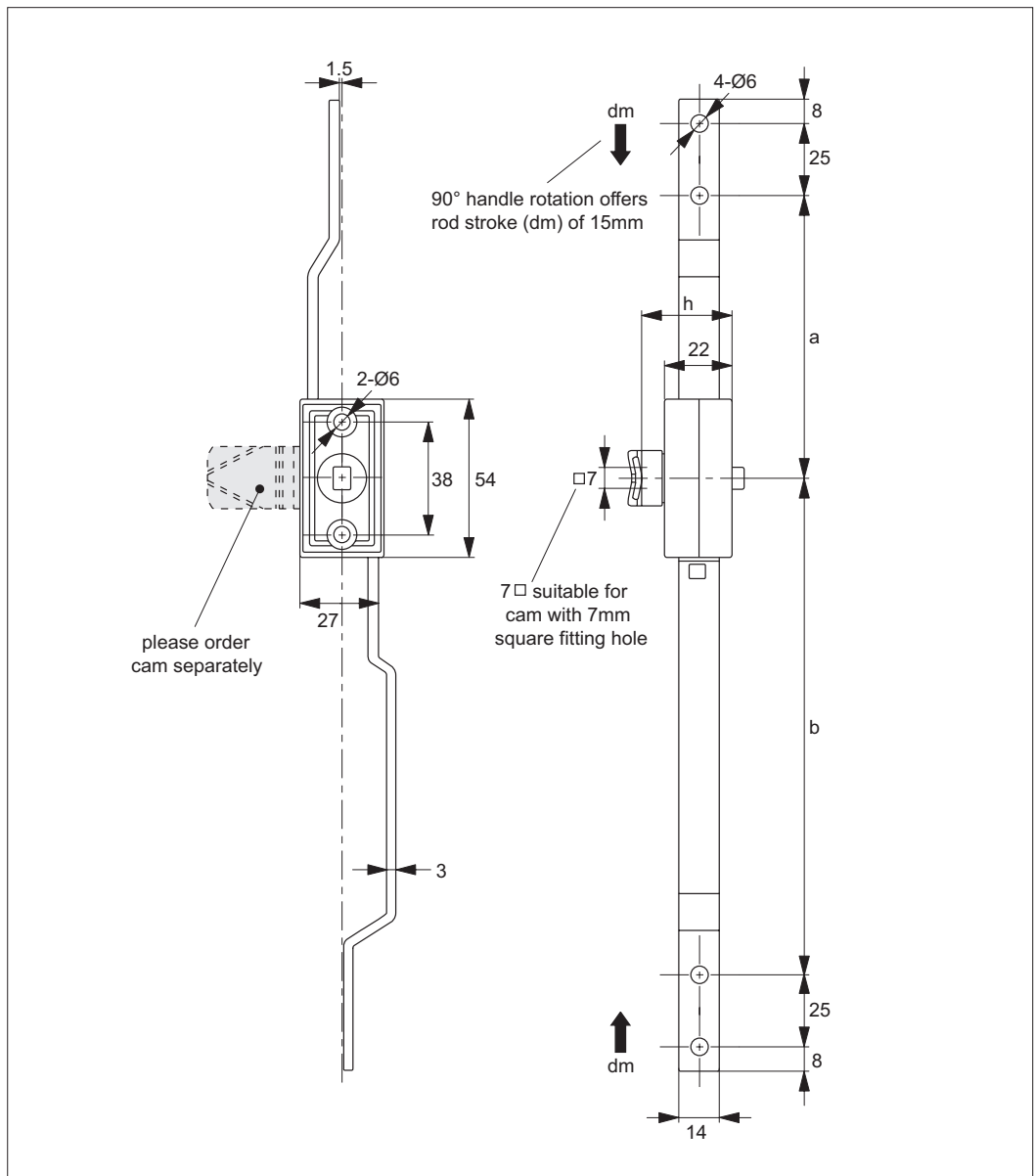
SWING HANDLES

ov-WB1450-A-T-WB4800-A-T-cam-latches-product-selection-chart-rmh-Updated -25-10-2022



Swing Handles - Rod Control

Dimensional details for our rod control mechanism used in many of our Swing Handles **B2082** through **B2450**.



SWING HANDLES