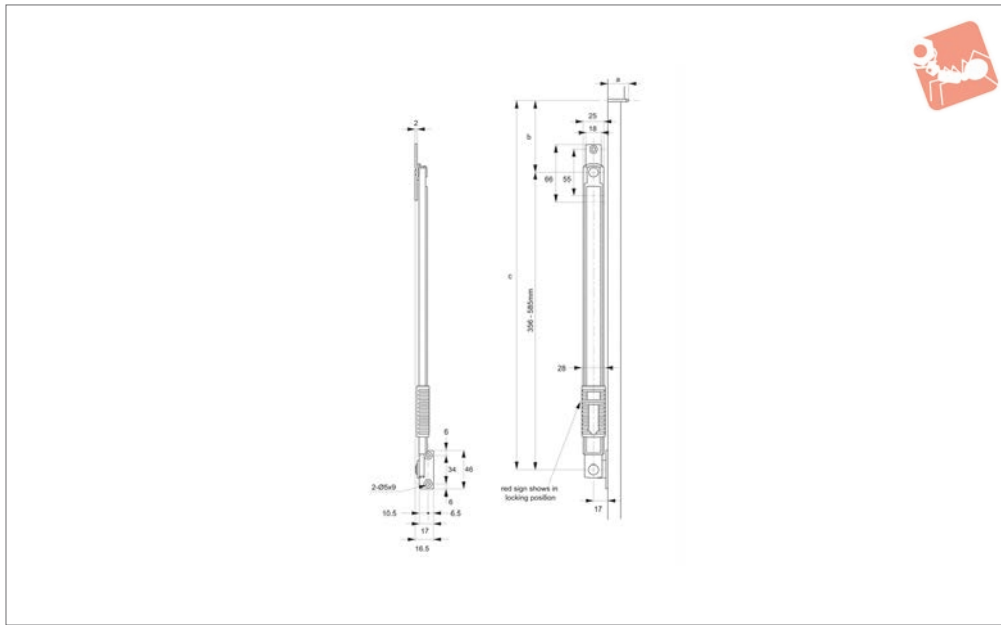




Door Stays - Multi-Stop

stainless steel

Lid & Door Stays



N2000

LID & DOOR STAYS

Material

Stainless steel, AISI 304, with polyacetal (POM) latch.

Technical Notes

Holds handle open at multiple angles.

Slide lock lever to lock/unlock stay.

For outward opening doors only.

Max. door size:

h = 2000mm

w = 600 - 910mm

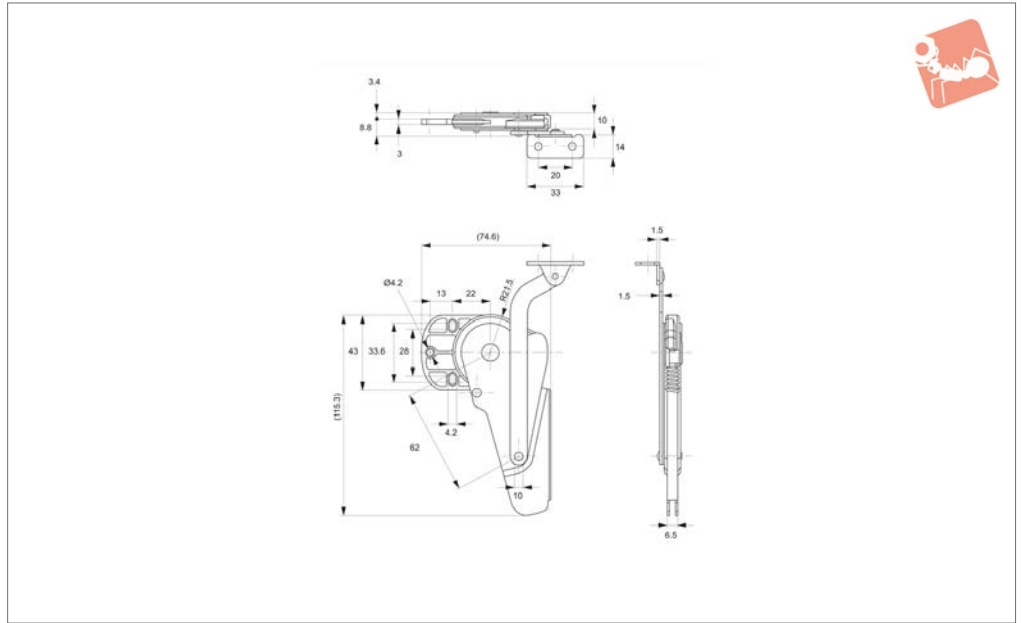
t = 25 - 45mm

See installation table below.

Order No.	Door opening angle max.	Weight g
N2000.AC0010	90°	338



N2020



Material

Body: stainless Steel, AISI 304.

with dampening mechanism for soft closing.

door closed. For mounting in the inside top panel of door.

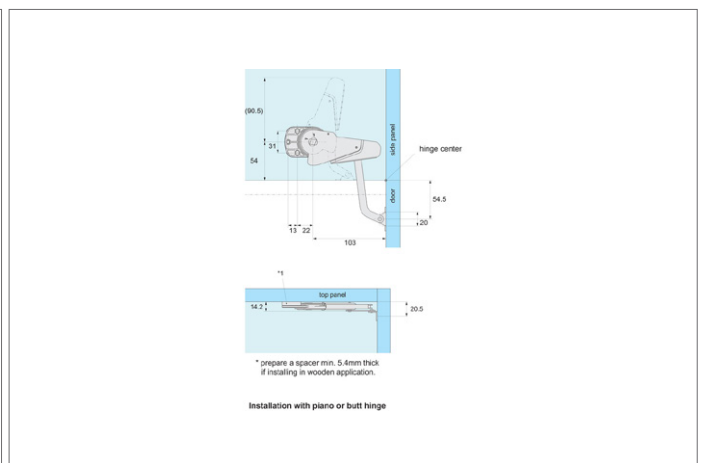
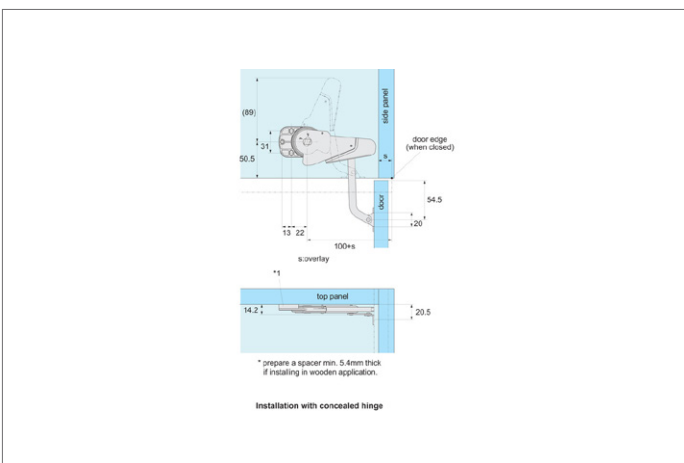
Technical Notes

Suitable for small lightweight doors to maximum of 0.7Kg, 300mm wide. Equipped

Tips

Stay holds door in 90° open position. When pushed to close, stay gently pulls

Order No.	Opening angle	Hand	Door weight kg	Door width mm max.
N2020.AC0010	90°	Right	0,3 - 0,7	300
N2020.AC0020	90°	Left	0,3 - 0,7	300

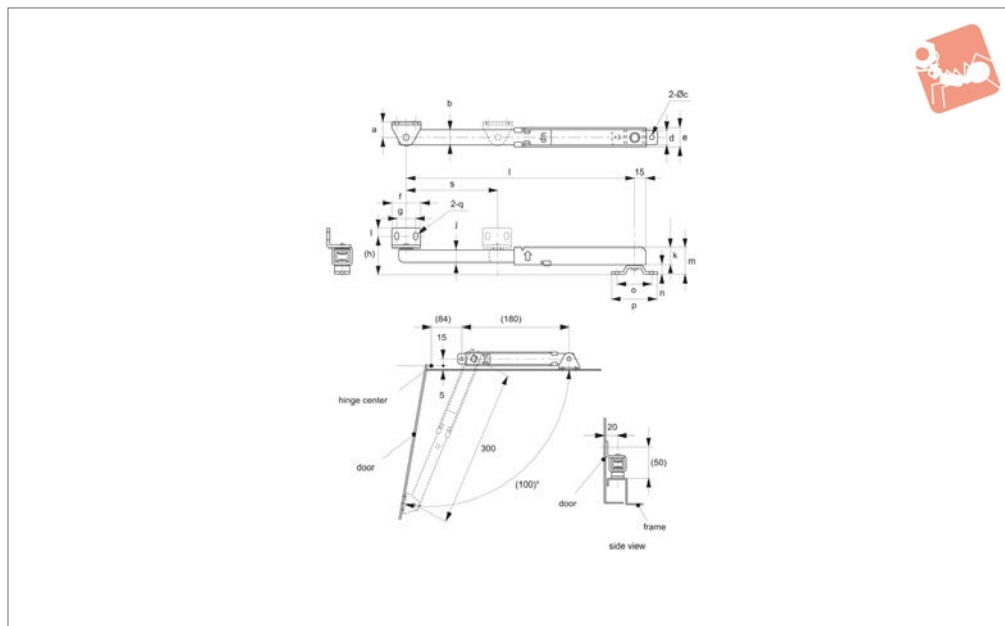




Door Stays

foot release - 100° opening

Lid & Door Stays



N2050

LID & DOOR STAYS

Material

Steel, yellow zinc chromate.

Install at base of door for quick foot release.

Important Notes

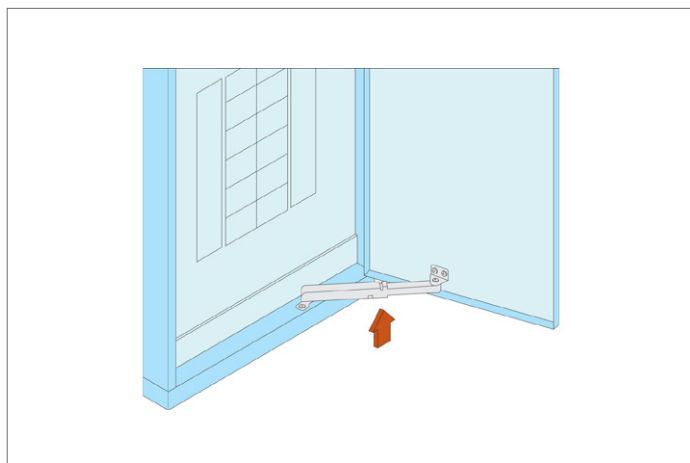
Check max. tensile force for load bearing capacity.

Technical Notes

Mechanically locks door when fully open.

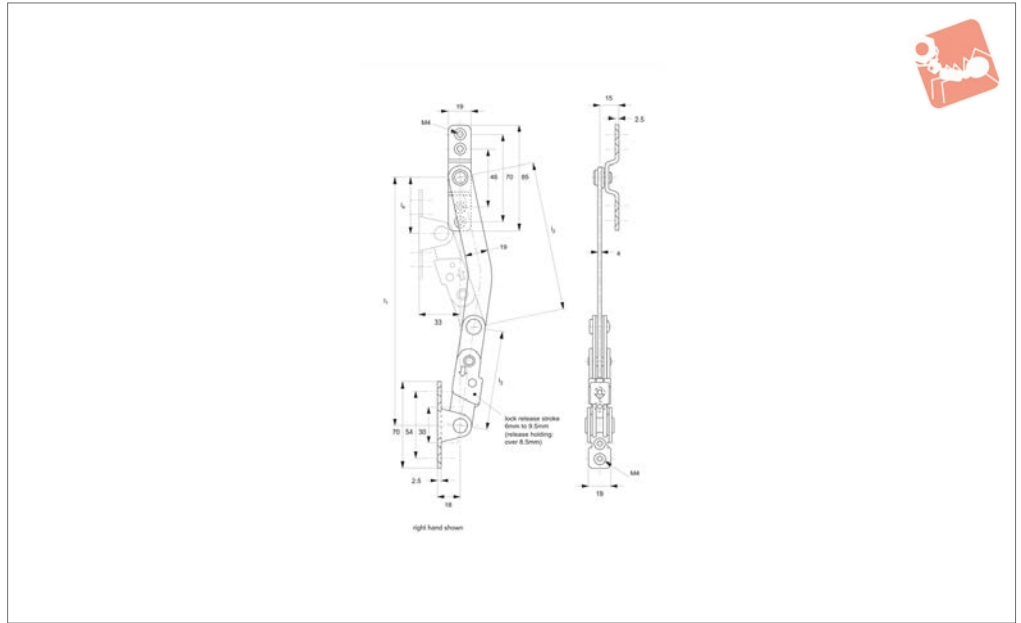
Order No.	a	b	c	d	e	f	g	h	i	Weight g
N2050.AC0005	15	15.9	5.5	17	20.0	33	20	42	8	205
N2050.AC0010	20	20.0	5.5	20	25.5	38	25	50	10	433
N2050.AC0020	20	20.0	9.0	20	25.5	38	25	50	10	460

Order No.	j	k	l	m	n	o	p	q	s	Comp. load kg max.	Tensile force kg max.
N2050.AC0005	15.7	20.0	200	30	2.3	35	50	5,5x8,0	70	50	90
N2050.AC0010	17.0	22.5	300	35	3.2	45	60	5,5x9,5	120	60	150
N2050.AC0020	17.0	22.5	300	35	3.2	50	72	5,5x9,5	120	60	150





N2100



Material

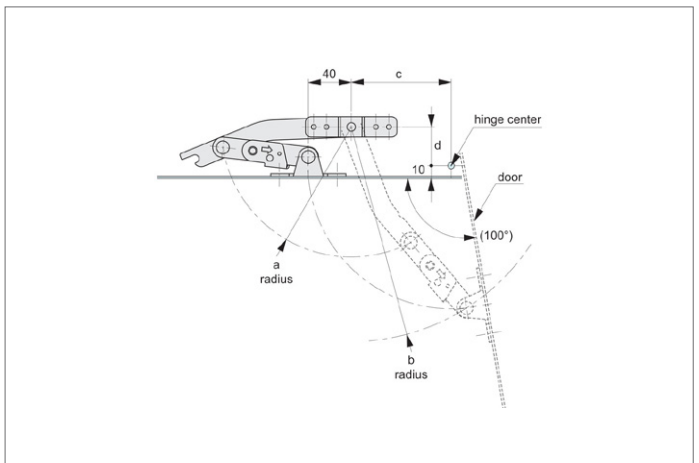
Stainless steel, AISI 304, polished.

Technical Notes

Mechanically locks door at fully open posi-

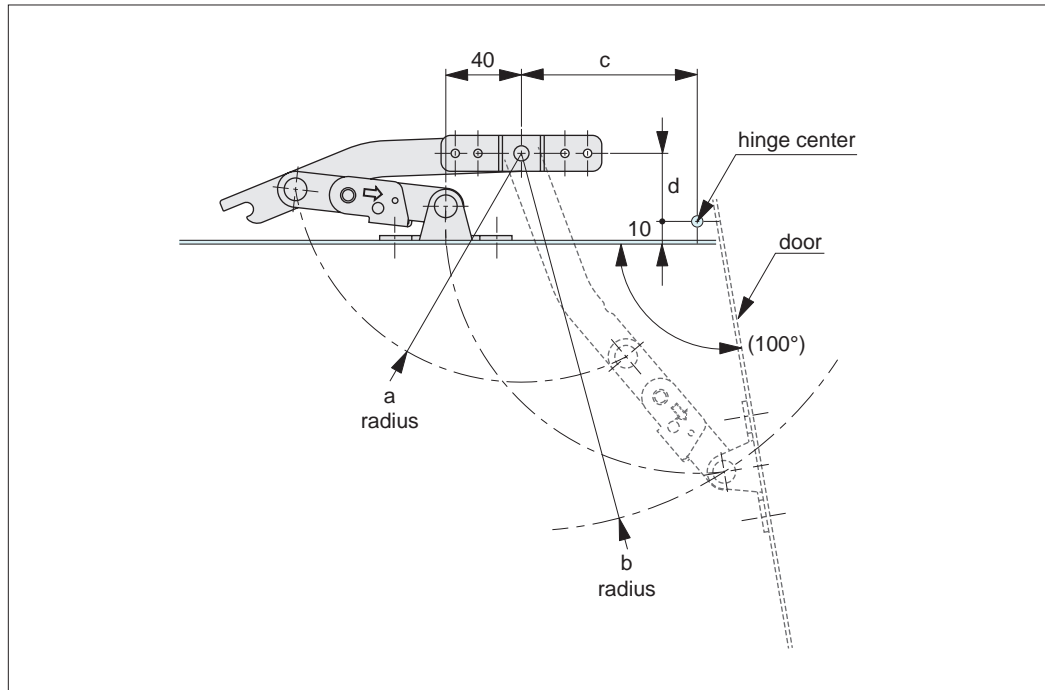
tion. Slide the locking lever to release stay. Lever will remain in unlocked position until the door is returned to fully open position.

Order No.	Type	l_1	a	b	c	d	l_2	l_3	l_4	Weight g
N2100.AC0110	Left	200	121	200	93	36	121	80	45	290
N2100.AC0010	Right	200	121	200	93	36	121	80	45	290
N2100.AC0120	Left	280	161	280	145	40	161	120	44	340
N2100.AC0020	Right	280	161	280	145	40	161	120	44	340

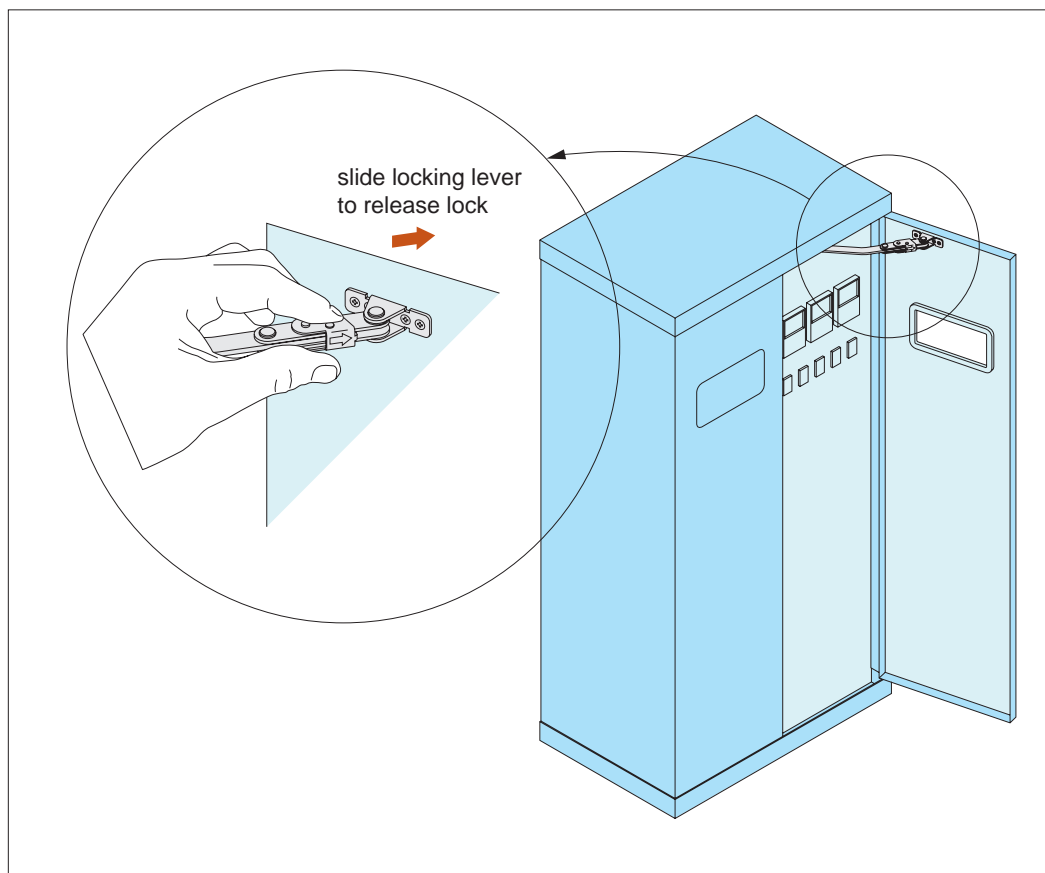




Installation



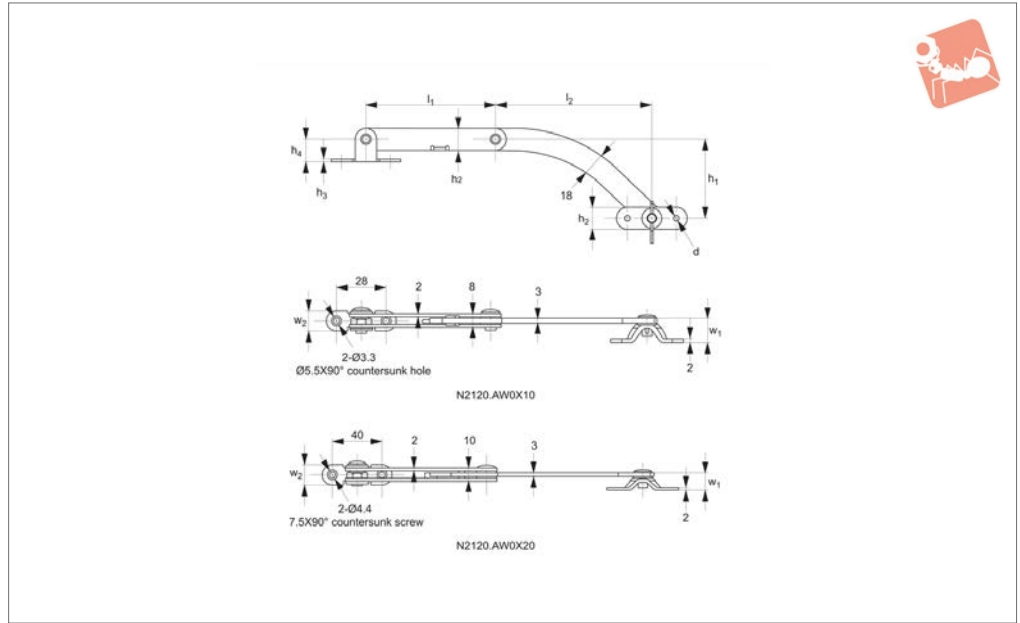
Installation dimensions



Easy actuation and release



N2120



Material

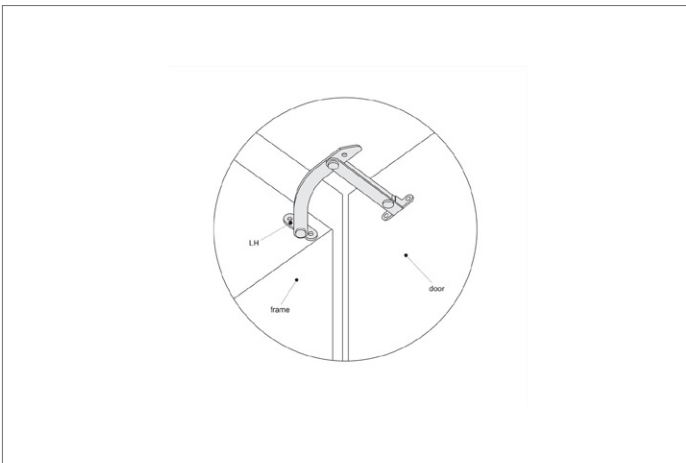
Body: steel, chrome plated.

table. Ideal for screw or weld-on mounting.

Technical Notes

Select left or right handed - please refer to

Order No.	Hand	l_1	d	h_1	h_2	h_3	h_4	l_2	w_1	w_2
N2120.AW0010	Left	105	2-Ø3,3 Ø5,5X90°	64	18	1.5	12	127	14.0	16
N2120.AW0020	Left	70	2-Ø4,2 Ø6,2X90°	43	12	2.0	18	85	13.5	12
N2120.AW0110	Right	105	2-Ø3,3 Ø5,5X90°	64	18	1.5	12	127	14.0	16
N2120.AW0120	Right	70	2-Ø4,2 Ø6,2X90°	43	12	2.0	18	85	13.5	12

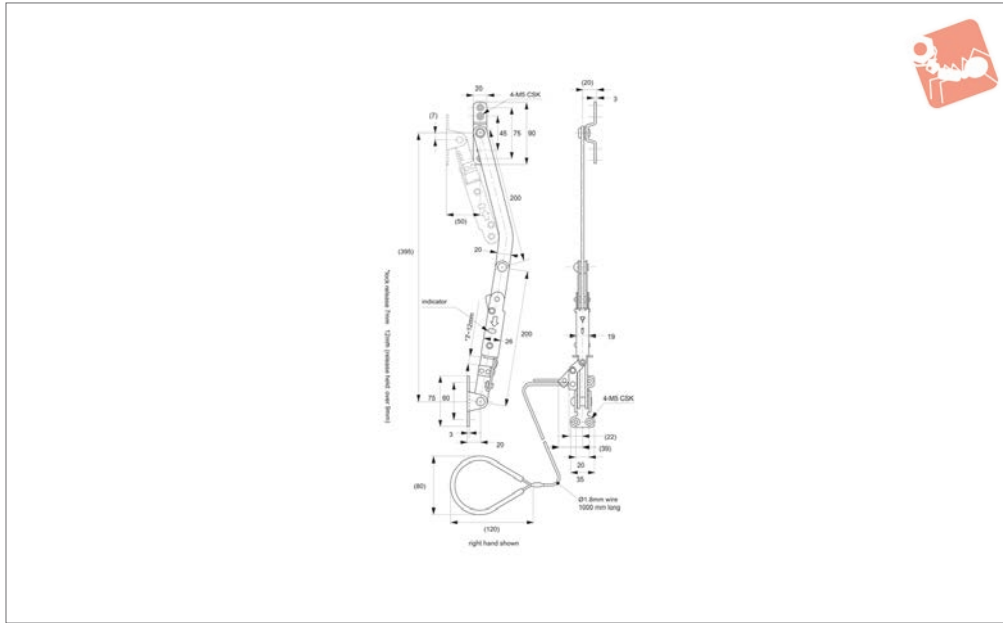




Door Stays - Heavy Duty

stainless steel - 100° opening

Lid & Door Stays



N2200

LID & DOOR STAYS

Material

All parts from stainless steel, AISI 304.

Technical Notes

Suitable for heavy duty horizontal door applications. Right and left versions

available, with or without lock release wire.







Tips

Locks automatically in open position, can be released via lock release or optional

**release wire.
Easy to install.**

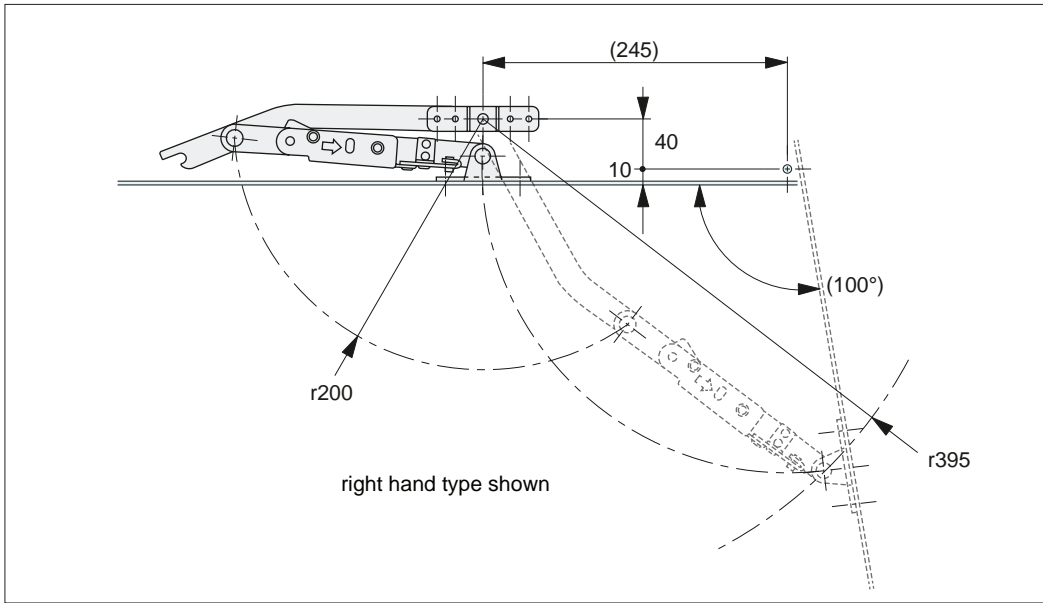
Order No.	Type	Finish	Comp. force kg max.	Tensile force kg max.
N2200.AC0010	Right	With Release Wire	60	150
N2200.AC0020	Right	Without Release Wire	60	150
N2200.AC0110	Left	With Release Wire	60	150
N2200.AC0120	Left	Without Release Wire	60	150



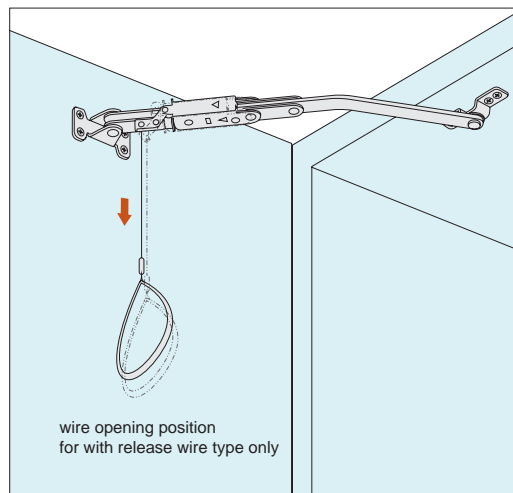
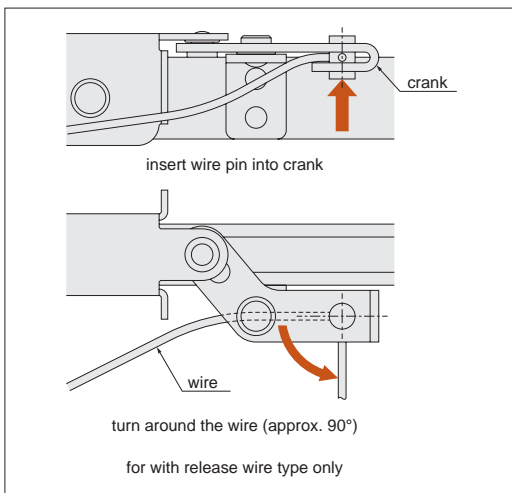
	Mounting			Door Opening			Material		Heavy Duty	Compression Force Kgf	Max Door Width mm	Tensile Force Kg	Max Angle
	Right	Left	Universal	Muti Stop	Soft Closing	Hold Open	Steel	Stainless Steel					
N2000 			✓	✓				✓			600-910		90°
N2020 	✓	✓			✓			✓		0,6-1,5	300		90°
N2050 			✓			✓	✓			50-60	50-60		100°
N2100 	✓	✓				✓	✓			50-60	150		100°
N2120 			✓			✓			✓	30	60		100°
N2200 	✓	✓				✓	✓	✓		50-60	150		100°



Installation dimensions



Installation of lock release wire



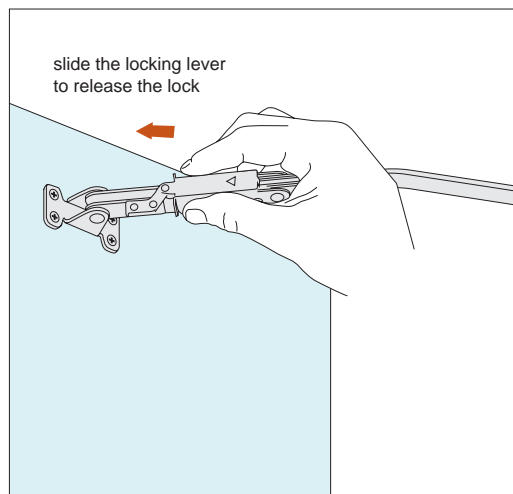
Installation of Lock Release Wire

Release of Stay with Release Wire

Stay lock and release



Full Lock Out Indicator



Manual Stay Release

ov-WN2200-A-TST0510-installation-dimensions-door-stays-b-rnh- Updated -25-10-2022