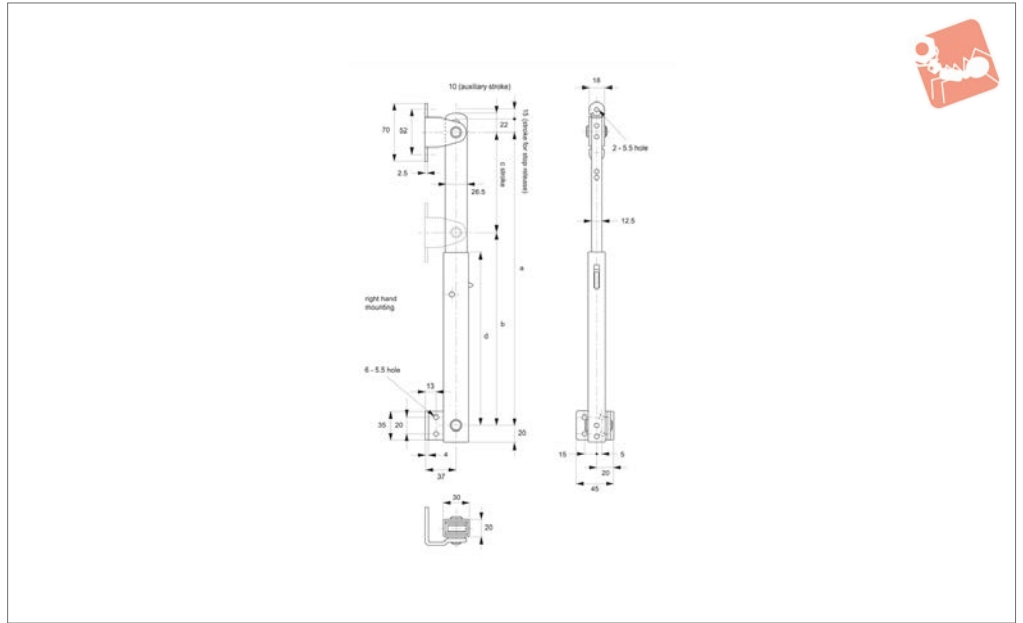




N0600



Material

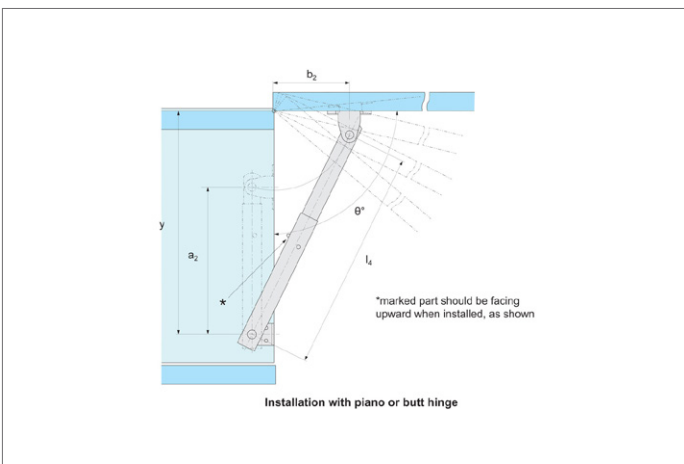
Stainless steel, AISI 304, satin finish.

table. Stay has ratchet mechanism to hold lid at multiple angles during opening motion. See 'Stop Positions' in table.

Technical Notes

Left or right hand specific, please refer to

Order No.	Opening angle	Type	No. of stop positions	Stop release stroke r	a	b	c	d	Load kg max.	Weight g
N0600.AC0010	90°	Right	4	15	350	230	120	352	70	715
N0600.AC0020	90°	Right	6	15	450	280	170	442	70	820
N0600.AC0110	90°	Left	4	15	350	230	120	352	70	715
N0600.AC0120	90°	Left	6	15	450	280	170	442	70	820

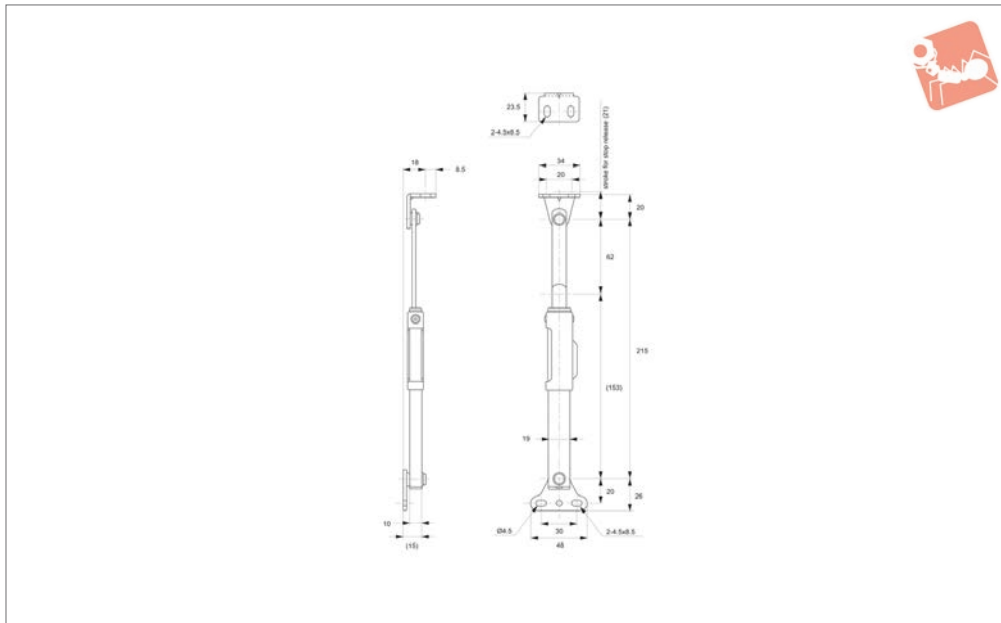




Lid Stays - Stainless Steel

for dust sensitive areas & clean rooms

Lid & Door Stays



N0620

LID & DOOR STAYS

Material

Stainless steel, AISI 304, with polyacetal bushing.

Universal, for both right and left applications.

suitable for clean room, semi-conductor and food industry applications.

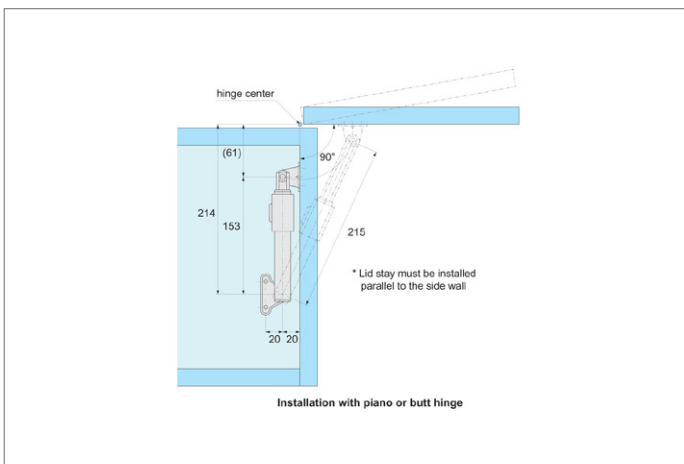
Technical Notes

Holds lid in fully open position.

Tips

Plastic bushings and end caps minimise particle displacement making the stay

Order No.	Opening angle	Type	Load capacity/each kg
N0620.AC0195	max. 90°	Universal	15

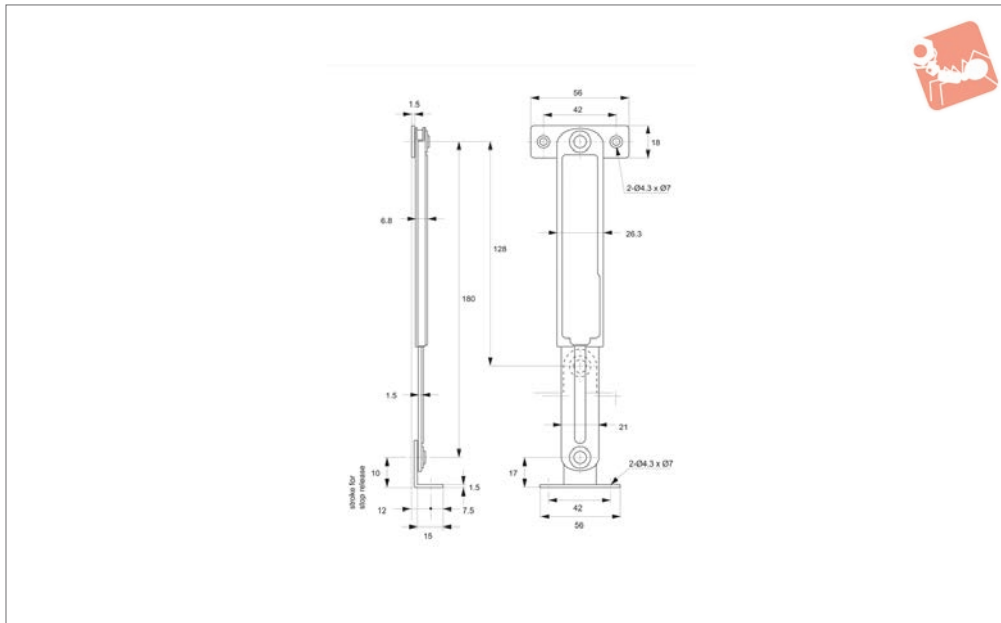




Lid Stays - Multi-Stop

stainless steel

Lid & Door Stays



N0700

LID & DOOR STAYS

Material

Body: stainless steel, AISI 304, satin finish.

Technical Notes

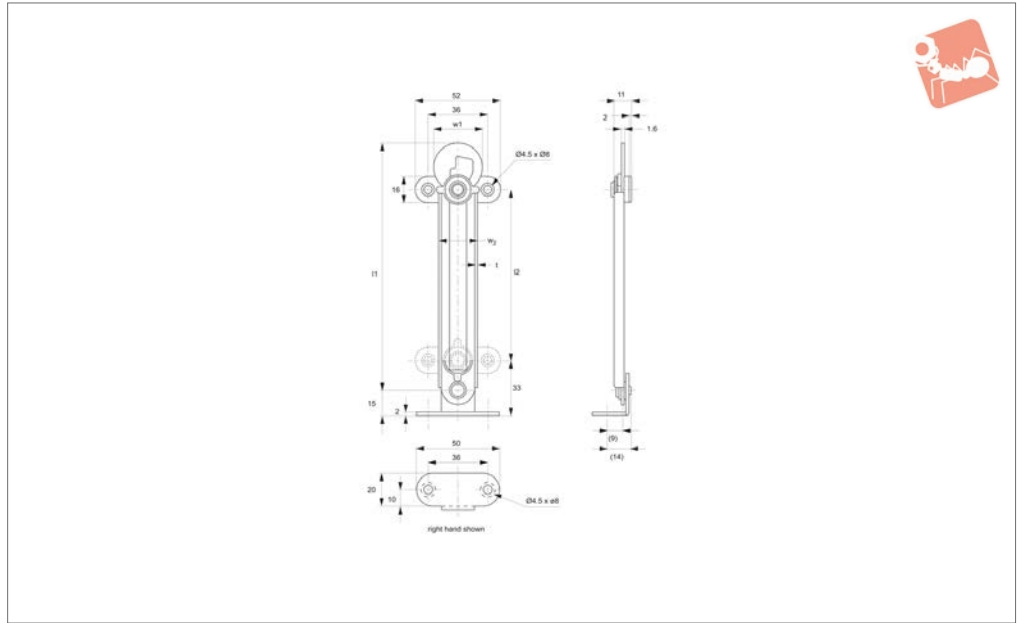
Universal for right and left hand application. Screws not included. Ratchet

mechanism allows lid to stop when released during opening motion.

Order No.	No. of stop positions	Load kg max.	Weight g
N0700.AC0010	15	7	127



N0800



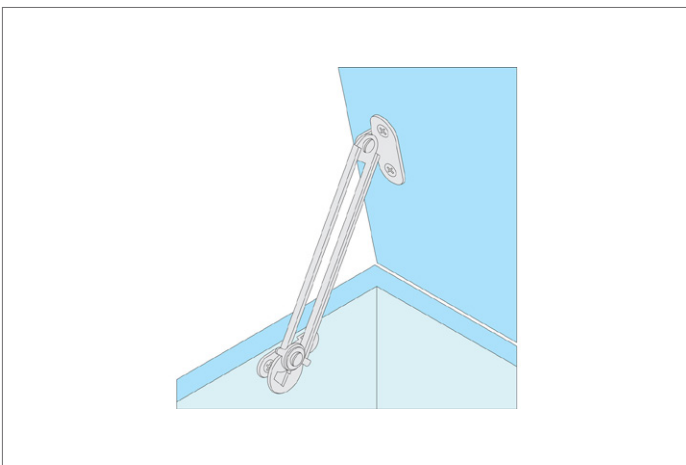
Material

Stainless steel, AISI 304, polished finish.

Technical Notes

Left or right hand specific, please refer to table. Holds lid in open position.

Order No.	Type	l_1	l_2	t	w_1	w_2	Load kg max.	Weight g
N0800.AC0010	Right	277	230	2.0	30	24	40	120
N0800.AC0020	Right	198	152	1.5	28	23	40	85
N0800.AC0030	Right	150	105	1.5	28	23	30	75
N0800.AC0110	Left	277	230	2.0	30	24	40	120
N0800.AC0120	Left	198	152	1.5	28	23	40	85
N0800.AC0130	Left	150	105	1.5	28	23	30	75

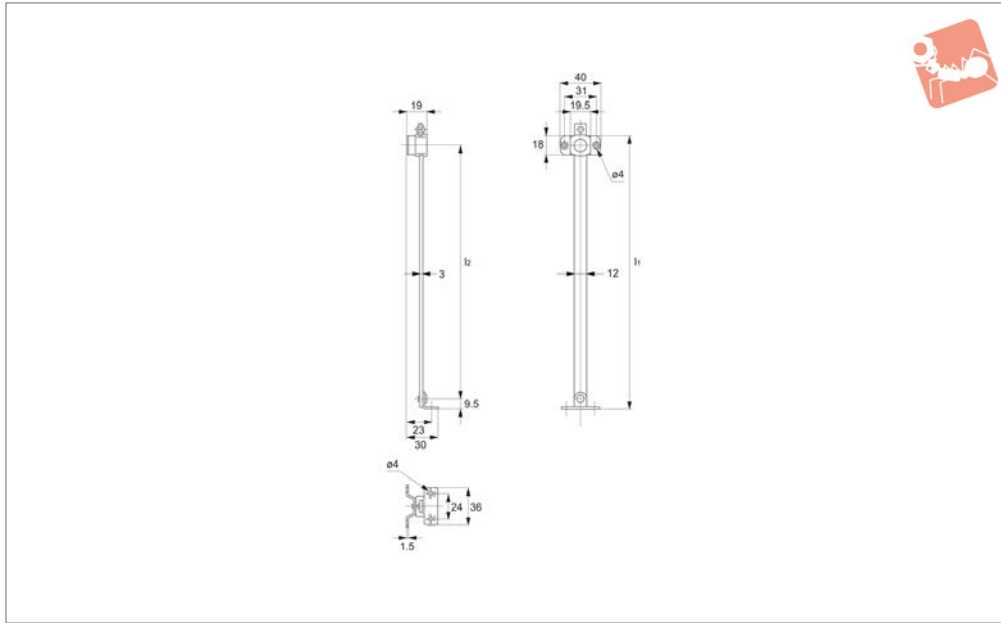




Lid Stays - Downward Opening Lid

stainless steel

Lid & Door Stays



N0850

LID & DOOR STAYS

Material

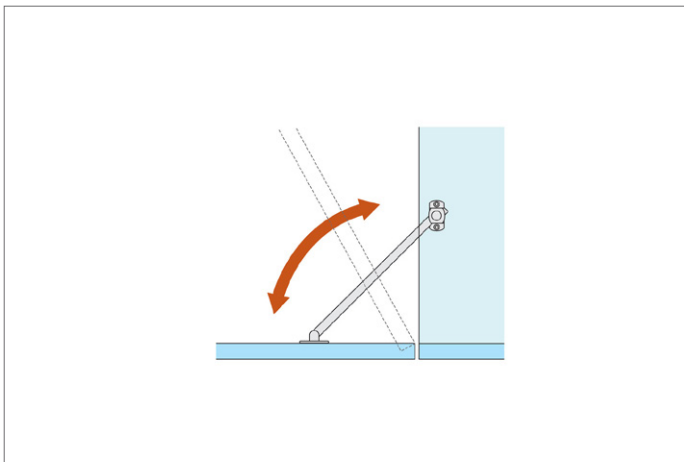
Stainless steel, AISI 304, and polyamide.

For use on cabinets with downward opening lid.

Technical Notes

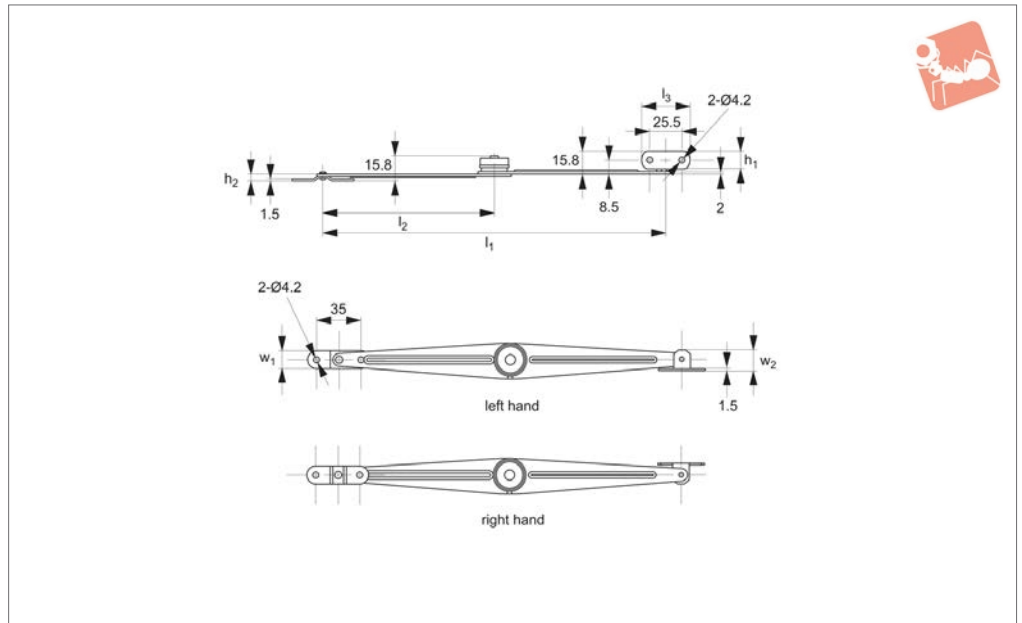
Universal left or right hand application.

Order No.	l_1	l_2	Weight g
N0850.AC0180	210	180	80
N0850.AC0210	240	210	90
N0850.AC0240	270	240	100





N0855



Material

Steel, chrome plated.

ball at pivot point to provide positive stop.

Technical Notes

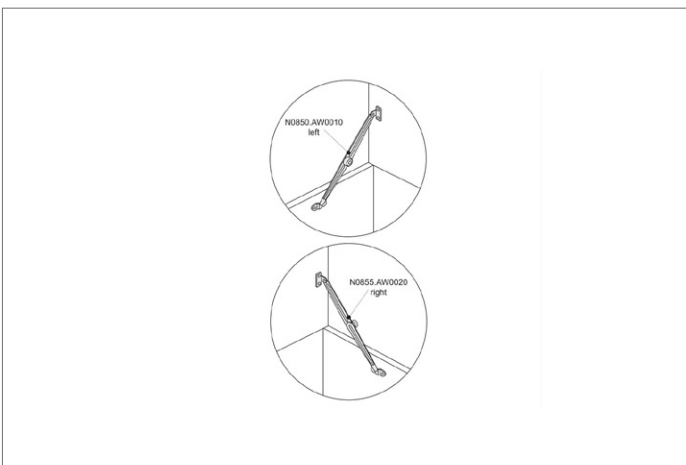
Fitted with positioning spring and steel

Important Notes

Right or left handed, please refer to table.

Ideal for screw or weld-on mounting.

Order No.	Hand	l_1	l_2	l_3	h_1	h_2	w_1	w_2
N0855.AW0010	Left	268	134	36.5	14	5.8	14	9
N0855.AW0020	Right	268	134	36.5	14	5.8	14	9

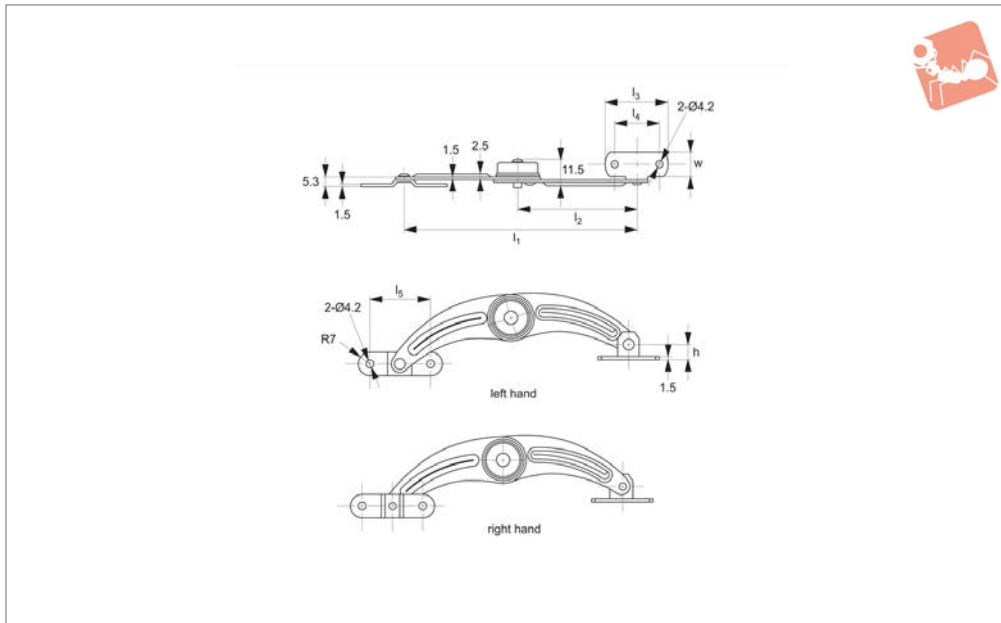




Lid Stays - Upward Opening Lid

steel

Lid & Door Stays



N0857

LID & DOOR STAYS

Material

Steel, bright chrome plated.

ball at pivot point to provide positive stop.

Technical Notes

Fitted with positioning spring and steel

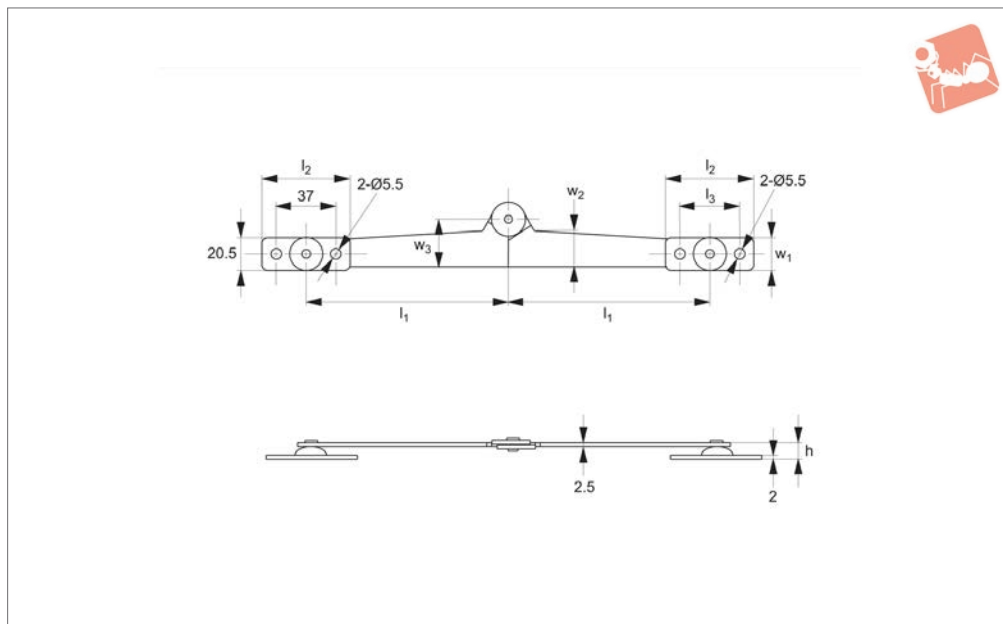
Important Notes

Right or left handed, please refer to table.
Ideal for screw or weld-on mounting.

Order No.	Hand	l_1	l_2	l_3	l_4	l_5	h	w
N0857.AW0010	Right	134	67	36.5	25.5	35	9	14
N0857.AW0020	Left	134	67	36.5	25.5	35	9	14



N0859



Material

Steel, chrome plated.

tions. Ideal for screw or weld-on applica-
tion.

Technical Notes

Universal for right and left hand applica-

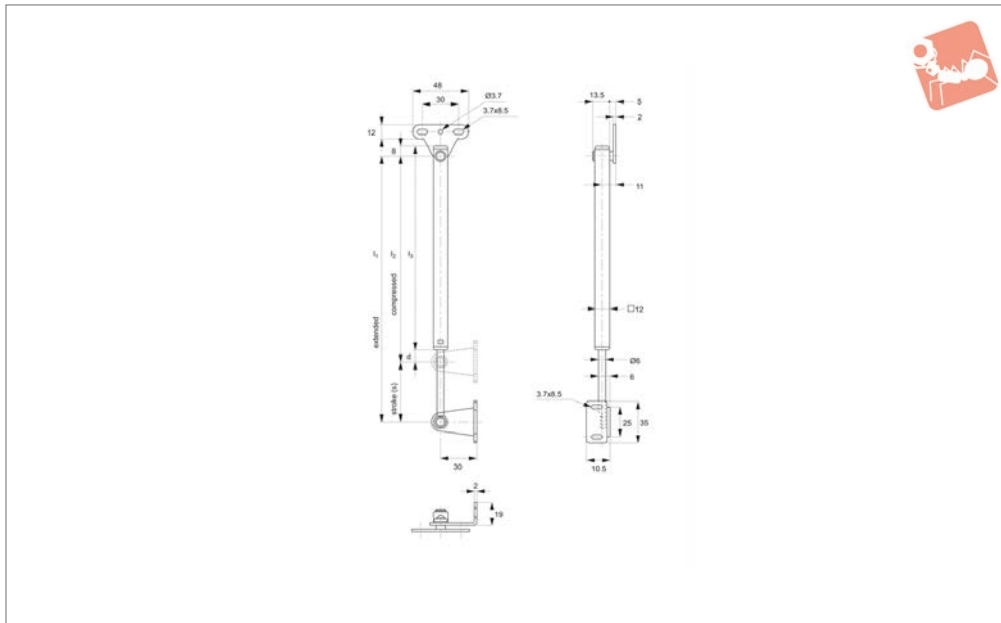
Order No.	l_1	l_2	l_3	h	w_1	w_2	w_3
N0859.AW0010	124	55.5	37	9.5	20.5	22	29



Spring Loaded Lid Stays

stainless steel

Lid & Door Stays



N0900

LID & DOOR STAYS

Material

Stainless steel, AISI 304, satin finish.

holds in open position (see installation table for suitable lid weights).

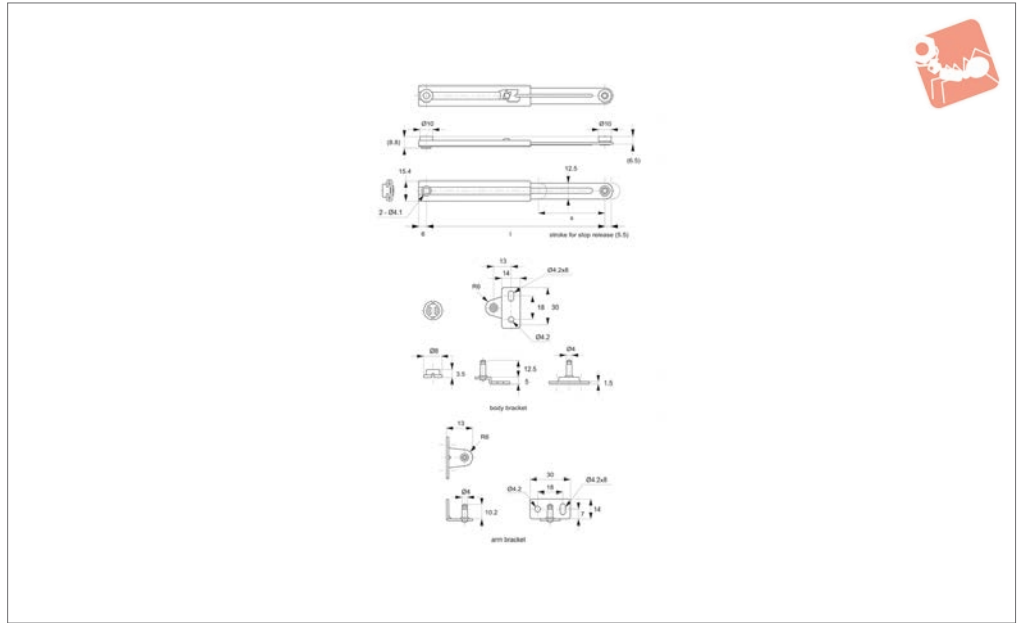
Important Notes

Spring mechanism assists lifting door and

Order No.	l_1	l_2	l_3	d	s	Extended force kgf	Compressed force kgf	Weight g
N0900.AC0010	222	172	170	10	50	3.2	7.0	145
N0900.AC0020	335	250	238	20	85	3.8	8.5	185
N0900.AC0030	380	280	269	19	100	3.6	8.5	205



N0920



Material

Body: stainless steel, AISI 304, polished.

Washer: polyacetal.

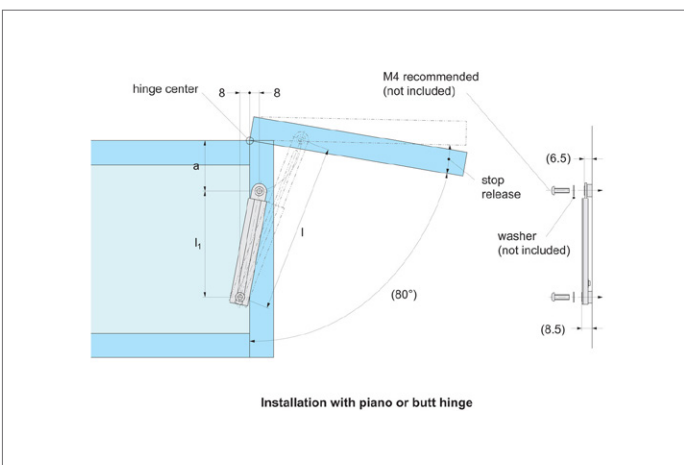
Technical Notes

Positive stop keeps lid opened. Compact

size. Easy fitting with M 4 screw (please order separately, see table) or with mounting bracket set.

Mounting bracket set contains one body bracket and one arm bracket.

Order No.	Stop release stroke r	l_1	l_2	a	s	Load N max.	Stop release angle	Weight g
N0920.AC0100	5.5	100	67	24	32	6.0	15°	31
N0920.AC0140	5.5	140	88	42	52	6.0	9°	38
N0920.AC0950	Mounting Bracket Set	-	-	-	-	-	-	20

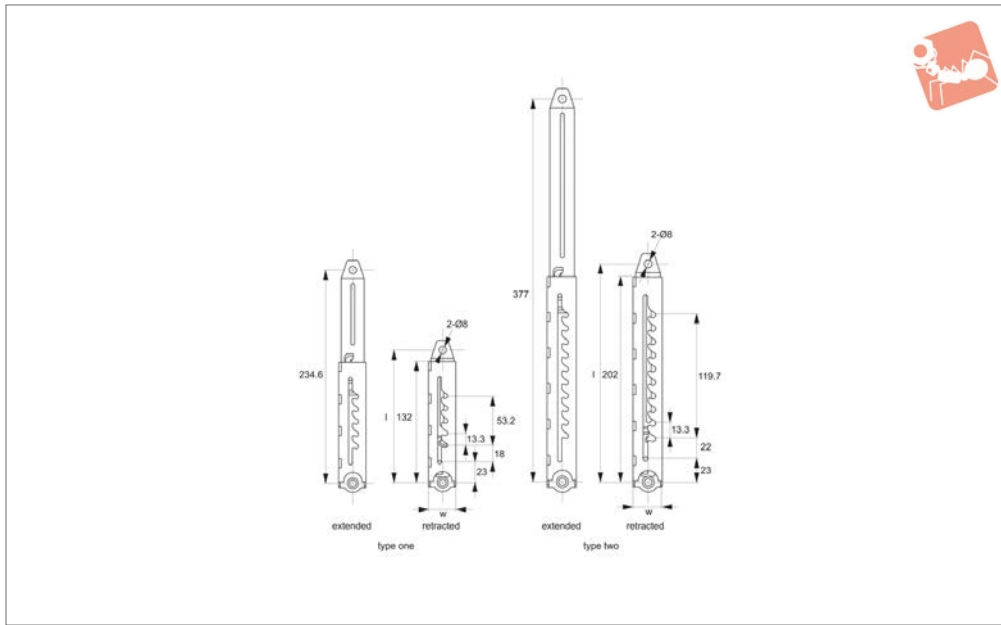




Lid Stays - Ratchet Stops

steel - positive stop

Lid & Door Stays



N0924

LID & DOOR STAYS

Material

Steel, zinc plated.

Technical Notes

Multiple stops keeps lid open at various

heights. To release lid extend fully, then retract.

Load Bearing:

N0924.AW0010- 250N (25kgs)

N0924.AW0020- 600N (61kgs)

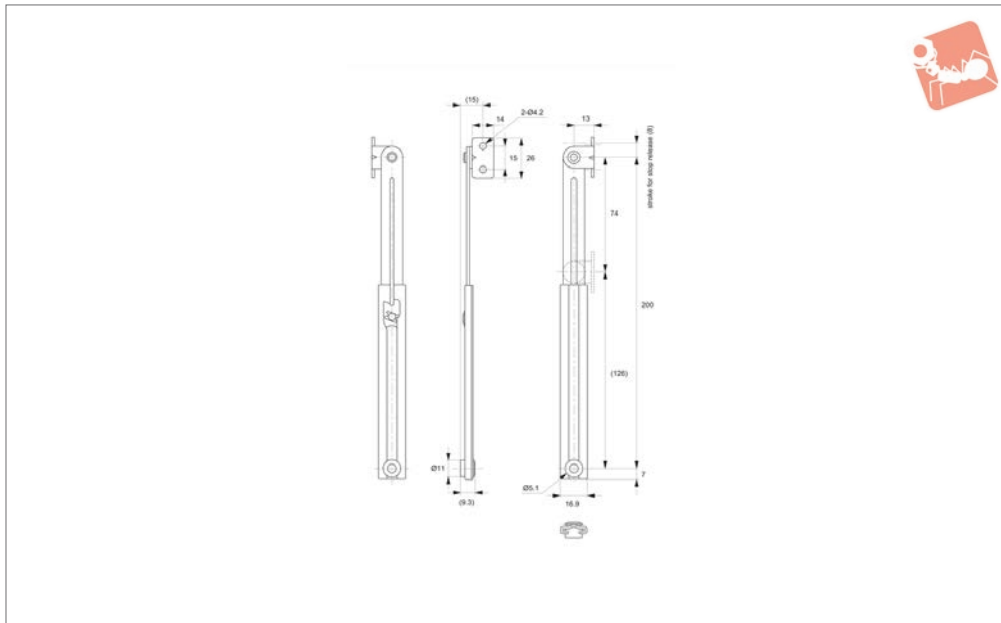
Order No.	Type	No. of stop positions	l	w
N0924.AW0010	One	5	145	29.5
N0924.AW0020	Two	10	217	29.5



Lid Stays

positive stop, stainless steel

Lid & Door Stays



N0940

LID & DOOR STAYS

Material

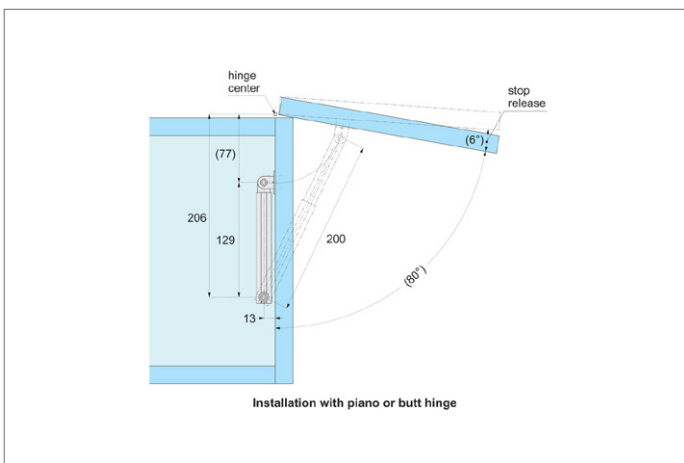
Stainless steel, AISI 304.

design. Universal for right and left hand applications.

Technical Notes

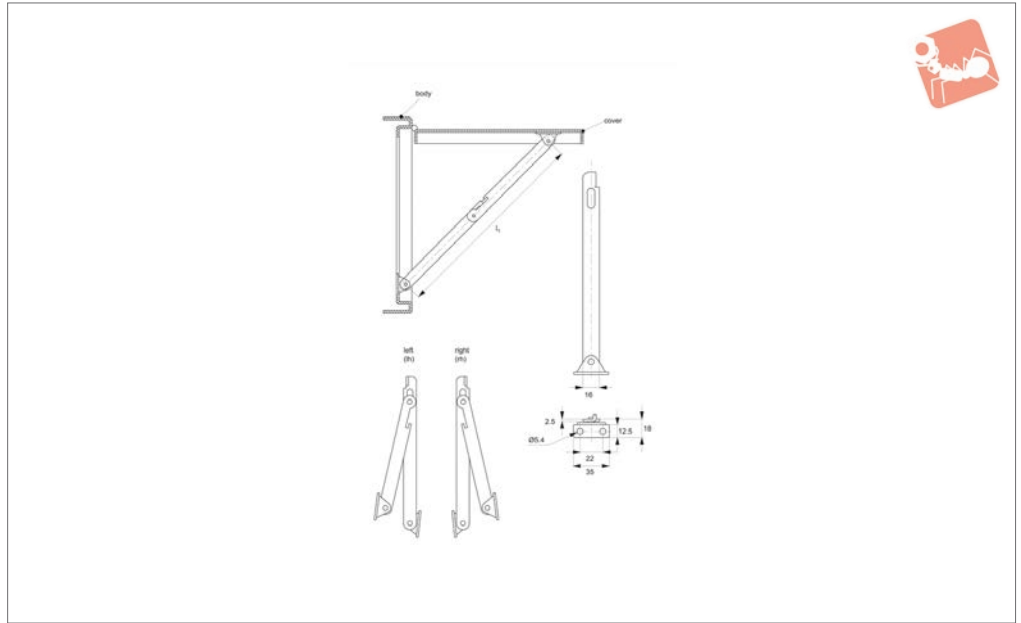
Positive stop keeps lid open. Compact

Order No.	Opening angle	Extended length	Stroke for stop release	Load capacity/each	Weight
N0940.AC0200	max. 80°	200	8	15 kg	65 g





N0950



Material

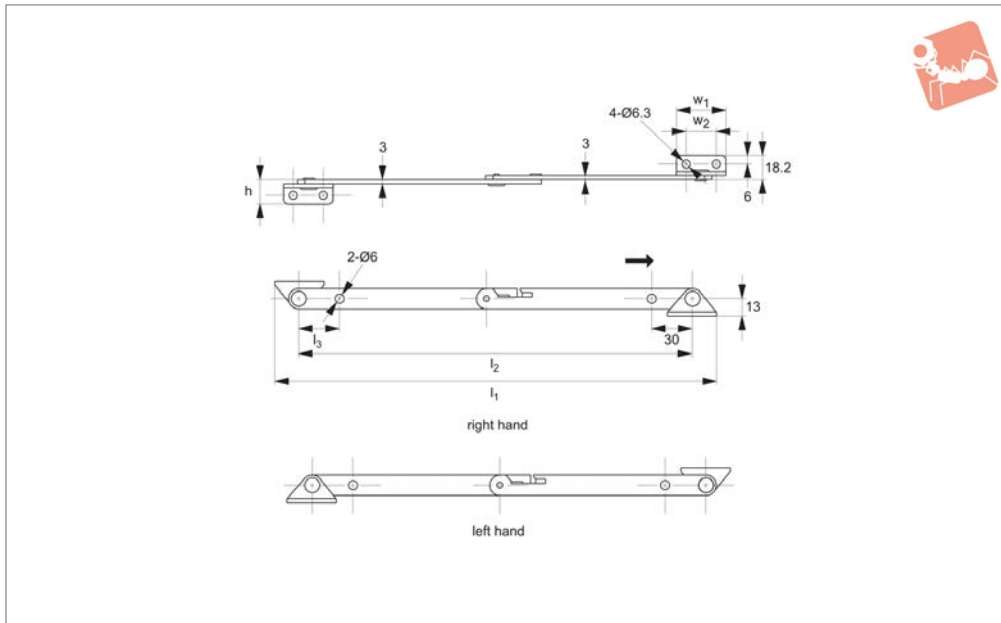
Steel, zinc plated.

table. Ideal for screw or weld-on mounting.

Technical Notes

Left or right hand specific, please refer to

Order No.	Hand	l ₁
N0950.AC0008	Right	202
N0950.AC0006	Right	135
N0950.AC0010	Right	292
N0950.AC0106	Left	135
N0950.AC0108	Left	202
N0950.AC0110	Left	292



N0951

LID & DOOR STAYS

Material

Stainless steel AISI 304.

table. Ideal for screw or weld-on mounting.

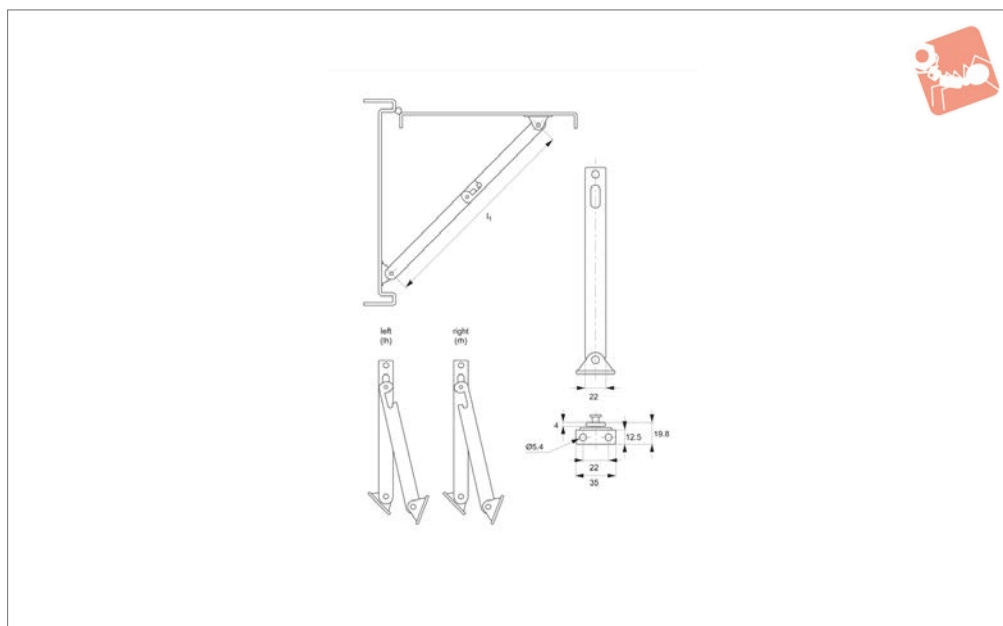
Technical Notes

Left or right hand specific, please refer to

Order No.	Hand	l_1	l_2	h_1	w_1	w_2
N0951.AW0010	Left	326	290	18.2	36	22
N0951.AW0020	Right	326	290	18.2	36	22



N0952



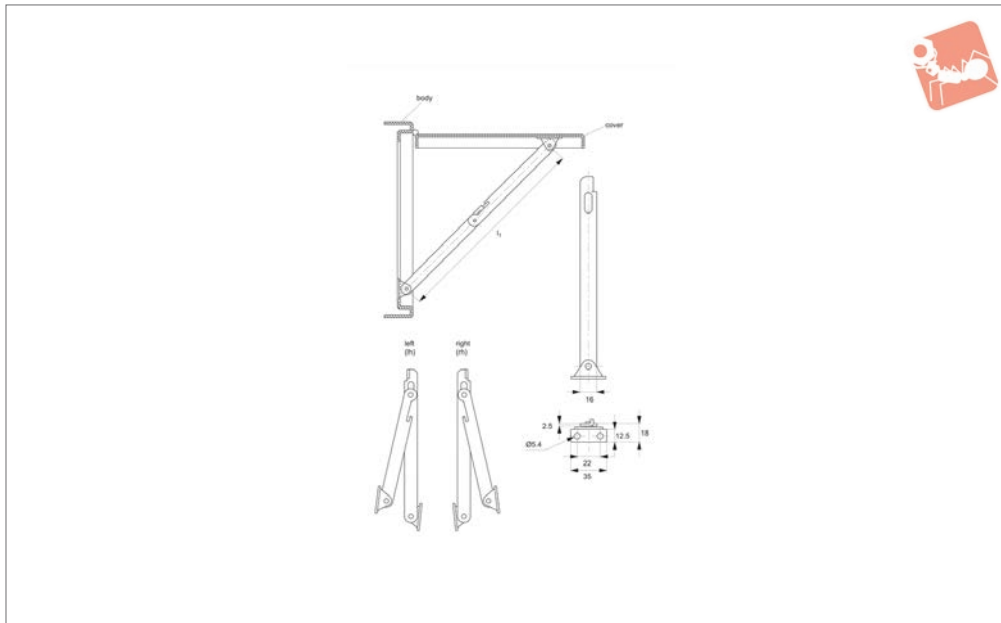
Material

Steel, zinc plated.

Technical Notes

Right or left handed, please refer to table.
Ideal for screw or weld-on mounting.

Order No.	Hand	l ₁
N0952.AC0006	Right	135
N0952.AC0106	Left	135
N0952.AC0008	Right	202
N0952.AC0108	Left	202
N0952.AC0010	Right	292
N0952.AC0110	Left	292



N0954

LID & DOOR STAYS

Material

Stainless steel, AISI 304.

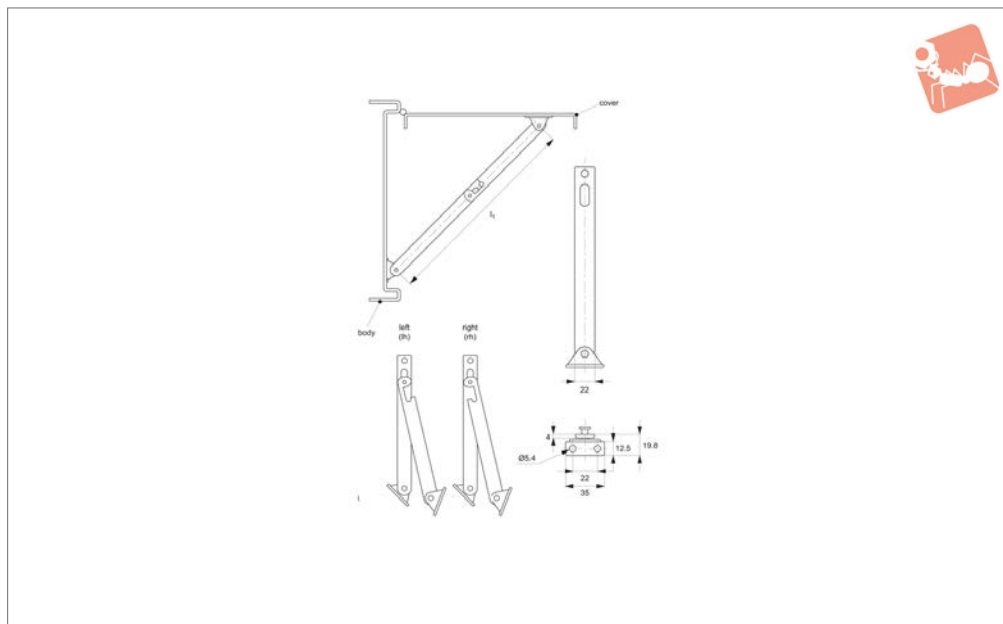
Technical Notes

Right or left handed, please refer to table.
Ideal for screw or weld-on mounting.

Order No.	Hand	l ₁
N0954.AC0006	Right	135
N0954.AC0008	Right	202
N0954.AC0010	Right	292
N0954.AC0108	Left	202
N0954.AC0106	Left	135
N0954.AC0110	Left	292



N0956



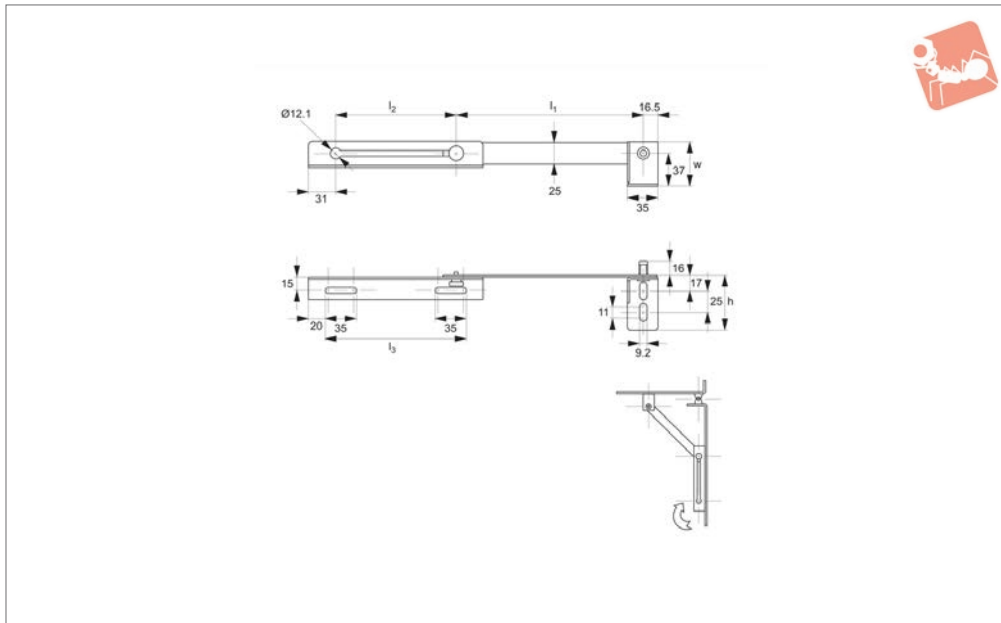
Material

Stainless steel, AISI 304.

Technical Notes

Right or left handed, please refer to table.
Ideal for screw or weld-on mounting.

Order No.	Hand	l ₁
N0956.AC0006	Right	135
N0956.AC0008	Right	202
N0956.AC0010	Right	292
N0956.AC0106	Left	135
N0956.AC0108	Left	202
N0956.AC0110	Left	292



N0982

LID & DOOR STAYS

Material

Stainless steel AISI 304.

and bracket can be fixed on either side - to suit both left and right installation.

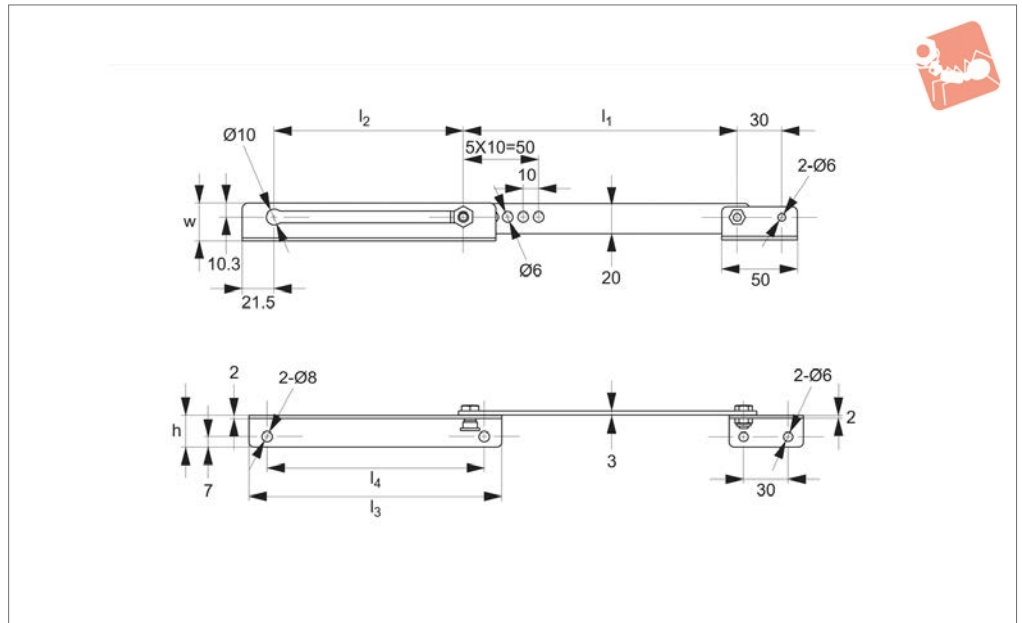
Technical Notes

Universal left or right hand. Lid stay arm

Order No.	l_1	l_2	l_3	h	w
N0982.AW0010	220	138	160	62	50



N0984



Material

Stainless steel AISI 304.

Technical Notes

Universal left or right hand. Lid stay arm

and bracket can be fixed on either side - to suit both left and right installation. Stay length l_1 can be adjusted from min. 134 to max. 184mm, via use of 5 holes spaced at 10mm.

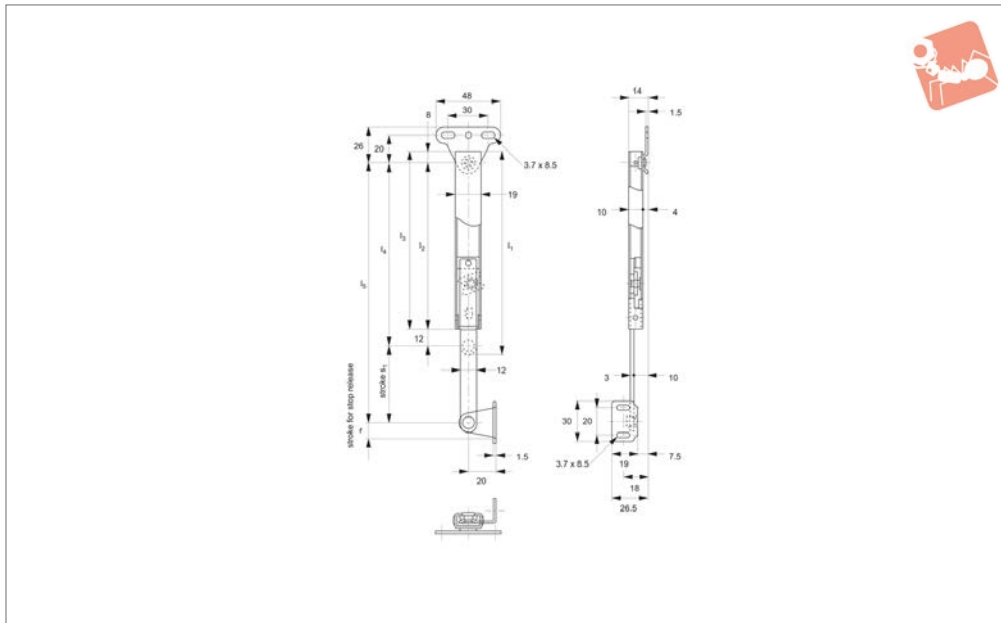
Order No.	l_1 min.	l_1 max.	l_2	l_3	l_4	h	w
N0984.AW010	134	184	127	170	146	21	27



Lid Stays

with positive stop - stainless steel

Lid & Door Stays



N0500

LID & DOOR STAYS

Material

Stainless steel, AISI 304, satin finish.

Technical Notes

Universal left or right hand application.

Max. load Kg is per stay. Only one stay required per lid. Stay has positive stop to hold lid in fully open position. For use with piano or butt hinge.

Order No.	Opening angle	Stop release stroke r	l_1	l_2	l_3	a	b	c	Load kg max.	Lid height mm	Weight g
N0500.AC0014	75°	14.5	148	121	129	133	62	195	15	250 - 350	125
N0500.AC0018	90°	14.5	185	158	166	170	100	270	15	320 - 500	150
N0500.AC0016	90°	22.0	168	141	149	153	62	215	15	260 - 350	140
N0500.AC0020	120°	22.0	205	178	186	190	100	290	15	340 - 500	160

