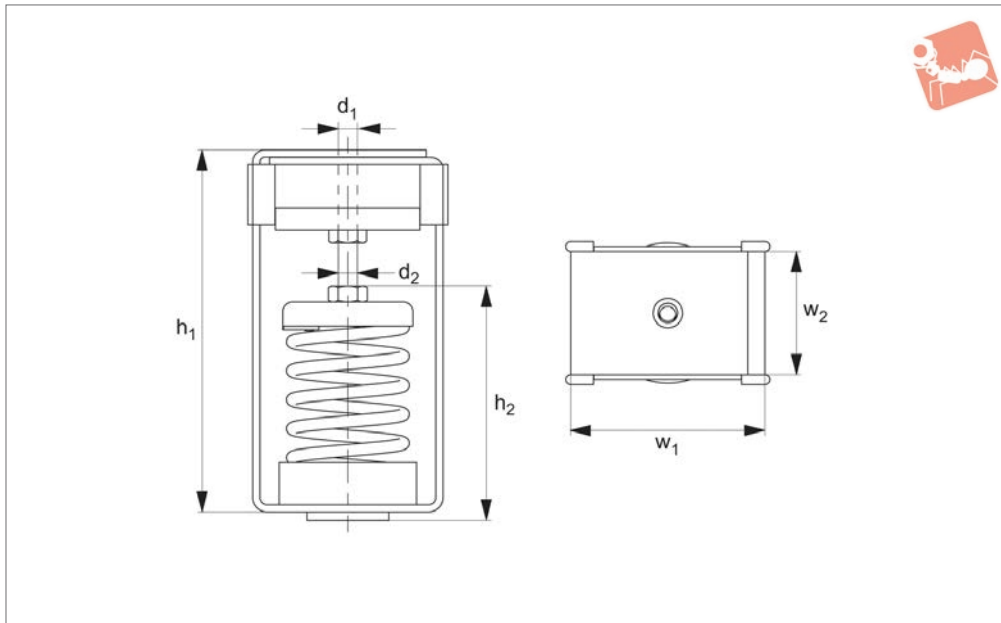




Acoustic Ceiling Hangers with spring and pad

Anti-Vibration



61930

ANTI-VIBRATION

Material

Zinc plated steel (anti-corrosive treatment) with Sylomer® pad and steel spring.

Technical Notes

These hangers come in six different steel

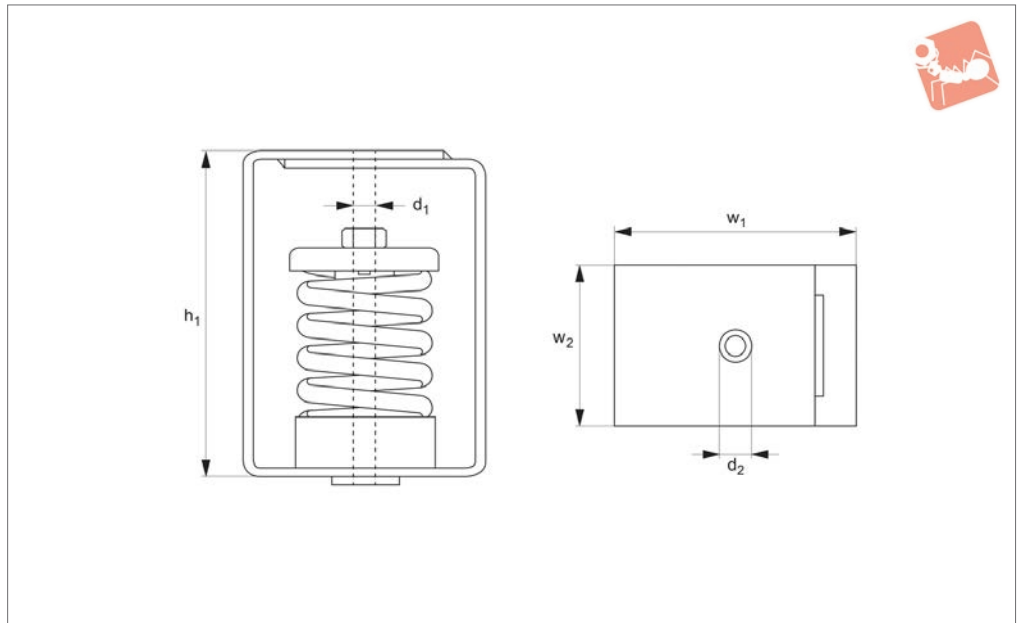
spring strengths for increasing loads.

The metal housing has an anti-corrosive treatment, which can with stand very harsh conditions and also resist high tensile stresses up to 1000kg.

Order No.	d ₁	w ₁	h ₁	d ₂	h ₂	w ₂	Compression max.	Load kgf max.
61930.W0025	12	79	150	M8	94	50	18	25
61930.W0050	12	79	150	M8	94	50	18	50
61930.W0075	12	79	150	M8	94	50	18	75
61930.W0100	12	79	150	M8	94	50	18	100
61930.W0125	12	79	150	M8	94	50	20	125
61930.W0150	12	79	150	M8	94	50	20	150



61931



Material

Zinc plated steel (anti-corrosive treatment).

Technical Notes

These units are designed for installations

where objects are suspended from ceilings. The spring in the body provides good anti-vibration properties.

Tips

Select the damper corresponding to the

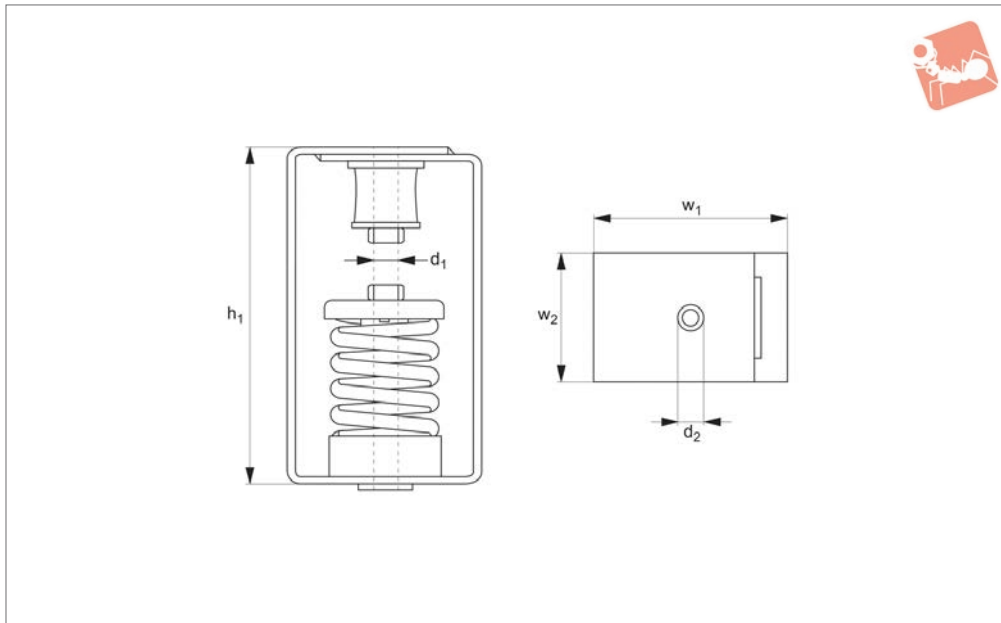
load to be carried per unit. These hanger can be used for fans, distribution pipes, ducts and acoustic ceilings.

Order No.	d ₁	w ₁	h ₁	d ₂	w ₂	h ₁	Load kgf max.
61931.W0025	M 8	75	120	12	50	25	25
61931.W0050	M 8	75	120	12	50	50	50
61931.W0075	M 8	75	120	12	50	75	75
61931.W0100	M 8	75	120	12	50	100	100
61931.W0125	M 8	75	120	12	50	125	125
61931.W0150	M12	120	160	16	80	150	150
61931.W0200	M12	120	160	16	80	200	200
61931.W0250	M12	120	160	16	80	250	250
61931.W0350	M12	120	160	16	80	350	350
61931.W0500	M14	140	180	18	100	500	500
61931.W0750	M14	140	180	18	100	750	750



Acoustic Suspension Hanger top top mount

Anti-Vibration



61932

ANTI-VIBRATION

Material

Zinc plated steel and rubber.

The spring in the body provides good anti-vibration properties.

These hanger can be used for fans, distribution pipes, ducts and acoustic ceilings.

Technical Notes

These units are designed for installations where objects are suspended from ceilings.

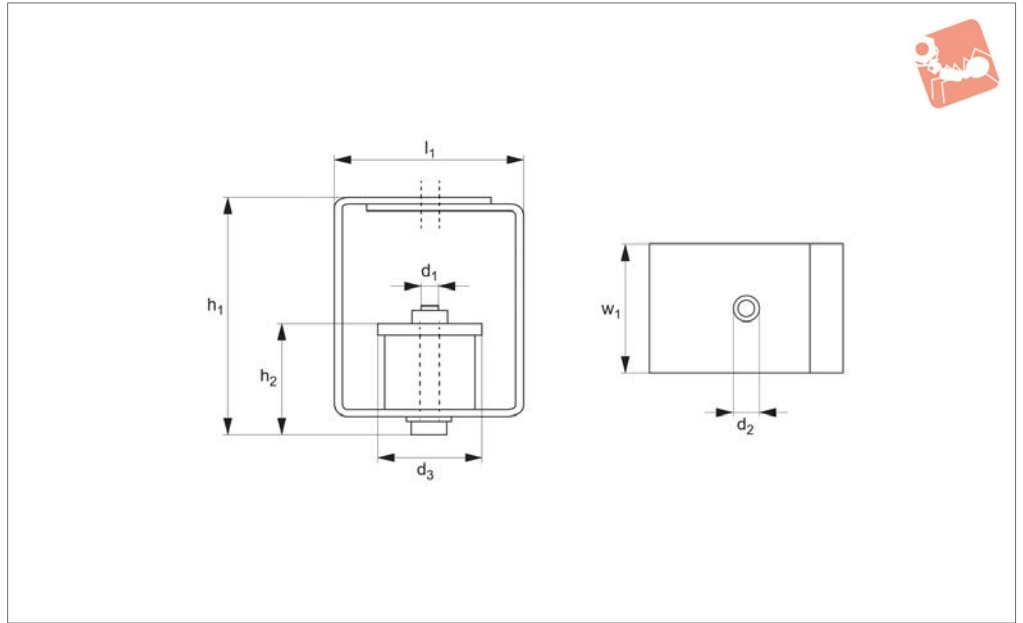
Tips

Select the damper corresponding to the load to be carried per unit.

Order No.	d ₁	w ₁	h ₁	d ₂	w ₂	h ₁	Load kgf max.
61932.W0025	M8	75	150	12	50	25	25
61932.W0050	M8	75	150	12	50	50	50
61932.W0075	M8	75	150	12	50	75	75
61932.W0100	M8	75	150	12	50	100	100



61933



Material

Steel anti-corrosive zinc plated, with rubber (50 shore A) cylinder.

Technical Notes

These units are designed for installations

where objects are suspended from ceilings. The spring in the body provides good anti-vibration properties.

Tips

Select the damper corresponding to the

load to be carried per unit.

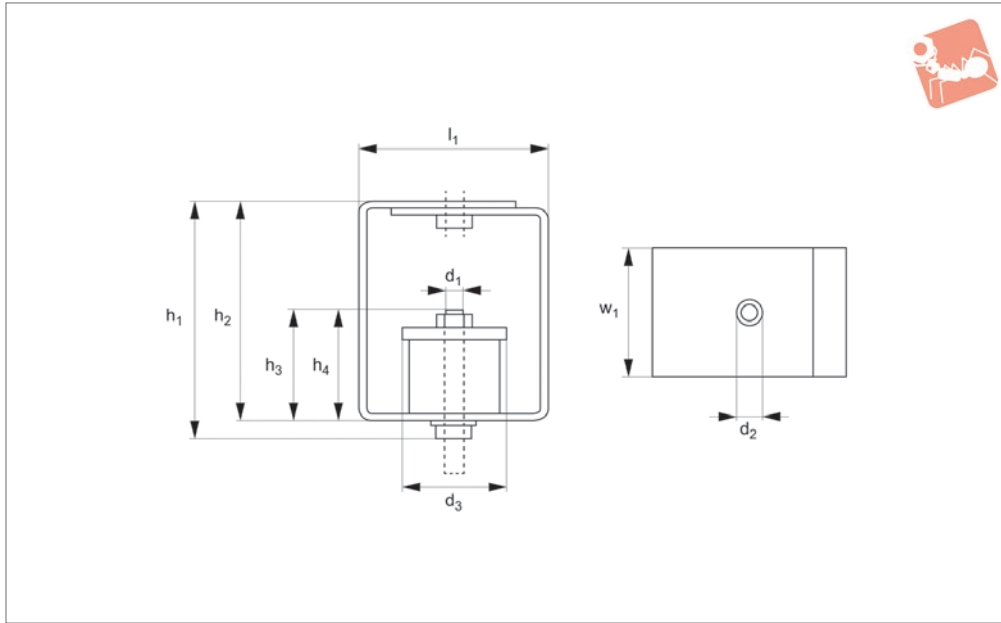
These hanger can be used for fans, distribution pipes, ducts and acoustic ceilings.

Order No.	d ₁	w ₁	h ₁	d ₂	d ₃	h ₂	l ₁	Load kgf max.
61933.W0030	M6	40	47	8	30	30	40	30
61933.W0060	M6	40	47	8	30	30	40	60



Acoustic Suspension Hanger with nut

Anti-Vibration



61934

ANTI-VIBRATION

Material

Steel anti-corrosive zinc plated, with rubber (50 shore A) cylinder.

Technical Notes

These units are designed for installations

where objects are suspended from ceilings.

The spring in the body provides good anti-vibration properties.

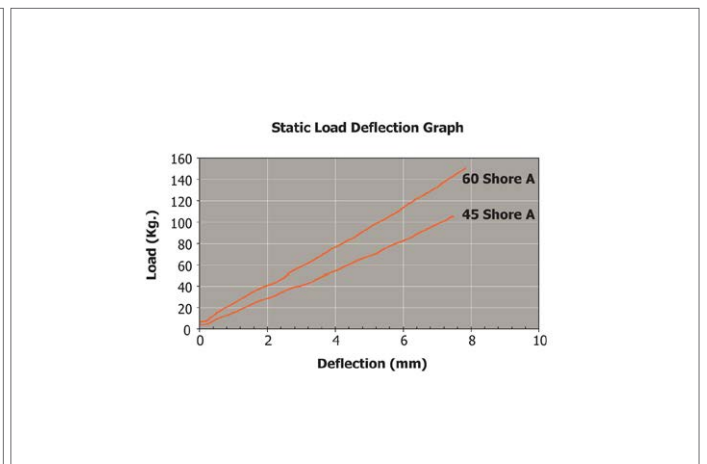
The metal hanger is designed to cope with loads up to 1000kg.

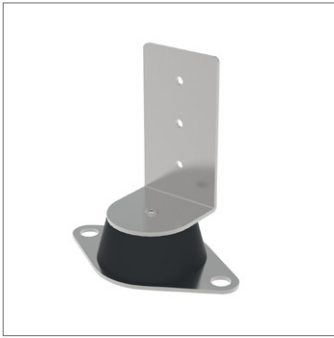
Tips

Select the damper corresponding to the load to be carried per unit.

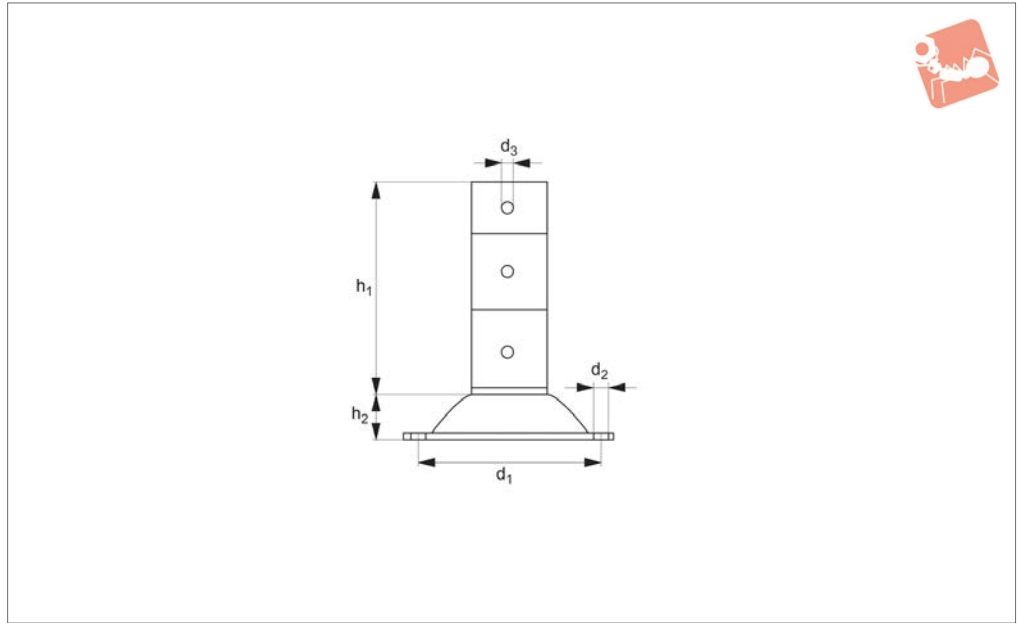
These hanger can be used for fans, distribution pipes, ducts and acoustic ceilings.

Order No.	d ₁	w ₁	h ₁	d ₂	d ₃	d ₄	h ₂	h ₃	h ₄	l ₁	Load range kgf
61934.W0030	M 6	40	55.03	M 6	30	18	46.3	38	30	40	8-30
61934.W0060	M 6	40	55.03	M 6	30	18	46.3	38	30	40	25-60
61934.W0100	M 8	55	76.40	M 8	40	16	68.0	43	34	55	40-100
61934.W0150	M 8	55	76.40	M 8	40	16	68.0	43	34	55	80-150





61936



ANTI-VIBRATION

Material

Rubber on steel (zinc plated).

Technical Notes

These units are designed for installations where objects are suspended from the

ceiling or the wall. The spring in the body provides good anti-vibration properties.

Tips

Select the damper corresponding to the load to be carried per unit.

These hanger can be used for fans, distribution pipes, ducts and acoustic ceilings/walls.

Order No.	d ₁	h ₁	d ₂	d ₃	h ₂	Load kgf max.
61936.W0076	76	72	6.5	4	24	10