

61280

ANTI-VIBRATION

Material

Rubber on silver zinc plated steel (rubber hardness - 60 Shore A).

Technical Notes

Provides an elastic support mechanism for equipment isolation. Used in generator sets, motors, pumps and most other

machine parts.

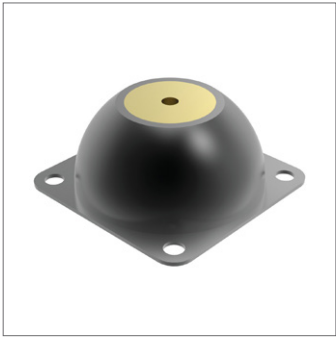
Please note for marine applications or very demanding use we recommend the mounts with 'fail-safe' features part numbers P2100, 61292 and 61294.

Tips

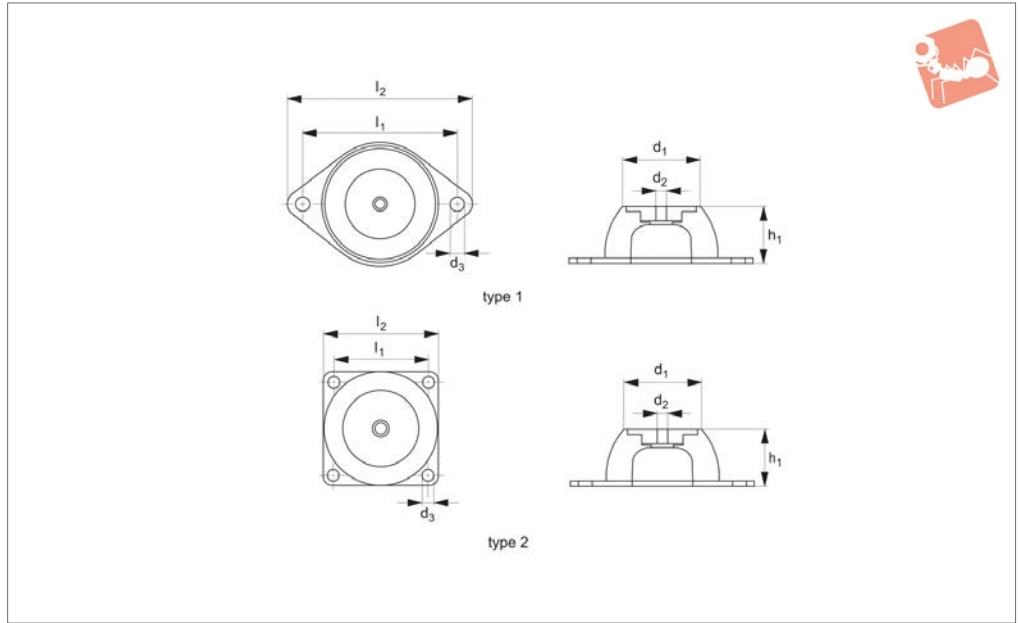
These are a very popular anti-vibration

mount for light to heavy duty applications. Take the total weight of the load to be supported, divide it by the number of mounts to be used and select an appropriate mount from the above table. Type 2 is 'fail-safe'.

Order No.	Type	d ₁	d ₂	d ₃	h ₁	l ₁	l ₂	Axial load kgf max.	Shore
61280.W0504	Type 1	50	M 8	6.5	25	61-70	85	20	40
61280.W0505	Type 1	50	M 8	6.5	25	61-70	85	40	50
61280.W0506	Type 1	50	M 8	6.5	25	61-70	85	60	60
61280.W0604	Type 1	64	M10	9.0	35	76-91	110	30	40
61280.W0605	Type 1	64	M10	9.0	35	76-91	110	45	50
61280.W0606	Type 1	64	M10	9.0	35	76-91	110	65	60



61345



Material

Rubber on yellow zinc plated steel (rubber hardness 45-65 Shore A).

for machines that move in three directions. Oil anti-drip hoods can be supplied on request.

air conditioners, ventilators and vibrating tables.

Technical Notes

The design of the mount makes them ideal

Tips

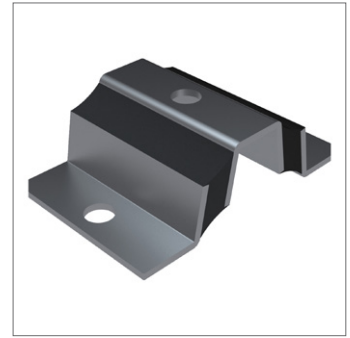
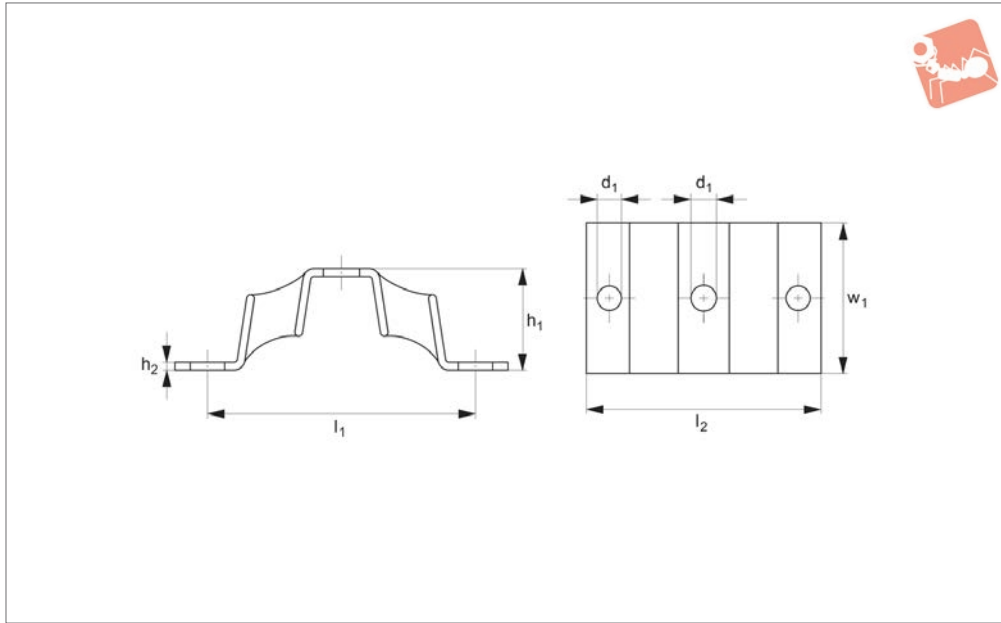
These mounts are found on compressors,

Order No.	Type	d ₁	d ₂	d ₃	h ₁	h ₂	l ₁	l ₂	Load kgf max.	Weight g
61345.W0450	Type 1	33.0	M 8	8.0	25	2.0	66	85	20	70
61345.W0451	Type 1	33.0	M 8	8.0	25	2.0	66	85	50	70
61345.W0650	Type 1	52.0	M10	10.5	35	2.5	92	114	40	170
61345.W0651	Type 1	66	M10	10.5	35	2.5	92	114	75	170
61345.W0850	Type 1	52.0	M10	11.5	40	3.0	110	136	75	303
61345.W0851	Type 1	52.0	M10	11.5	40	3.0	110	136	120	303
61345.W0900	Type 1	57.5	M10	12.5	45	3.0	125	150	130	430
61345.W0901	Type 1	57.5	M10	12.5	45	3.0	125	150	220	430
61345.W1300	Type 2	78.0	M12	14.5	63	5.0	120	150	280	1080
61345.W1301	Type 2	78.0	M12	14.5	63	5.0	120	150	500	1080
61345.W1700	Type 2	100	M16	14.5	84	4.0	160	200	380	2390
61345.W1701	Type 2	100	M16	14.5	84	4.0	160	200	750	2390
61345.W2500	Type 2	187	M24	18.5	158	6.0	250	310	1400	10400
61345.W2501	Type 2	187	M24	18.5	158	6.0	250	310	2500	10400



Anti vibration Mounts v shaped v shaped

Anti-Vibration



61510

ANTI-VIBRATION

Material

Rubber on silver zinc plated steel (rubber hardness 45-65 Shore A).

and one to the piece of equipment. Very good as a shock/isolating mount for oscillations higher than 15Hz.

and air conditioning units from the wall.

Technical Notes

Has a three point anchorage, two to a base

Tips

Can be used to hang compressors, speakers

Order No.	Shore hardness	d ₁	Compression max.	h ₁	h ₂	l ₁	w ₁	l ₂	Axial load kgf max.	Radial load kgf max.
61510.W0045	45	12	2.5	35	3	90	73	112	60	60
61510.W0055	55	12	3.5	35	3	90	73	112	65	65
61510.W0065	65	12	6.0	35	3	90	73	112	70	70



Recommendations for machine mounts

Machine mounts should be installed between two parallel and perfectly flat surfaces. Mounts operating tilted or twisted do not work properly. This may be due to incorrect alignment, tolerances in the building of the structure or over-tightened torque during the installation of the anti-vibration mounts.

ANTI-VIBRATION

