

61640

ANTI-VIBRATION

Material

Rubber on silver zinc plated steel.

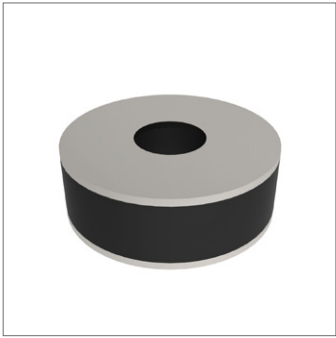
withstand under compression.

Used where axial and radial loads are present. For frequencies higher than 20Hz.

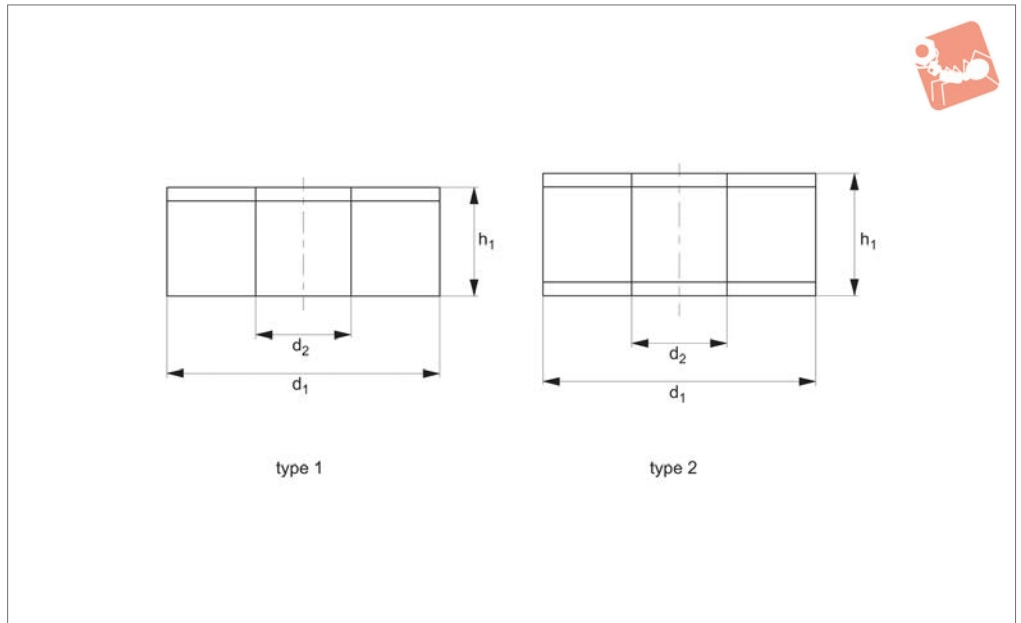
Technical Notes

Static load relates to the load the unit can

Order No.	d_1	d_2	d_3	d_4	h_1	h_2	h_3	Static load N max.
61640.W0036	36	8.5	18	12	14	10	4	100
61640.W0032	36	16.5	20	16.5	11.5	8.5	3	120
61640.W0050	50	16.5	23	20	22	13.5	8.5	150
61640.W0051	50	28	34	28	18	10.5	7.5	100
61640.W0055	55	24	31	28	15	11.5	3.5	175
61640.W0060	60	20.5	27	24	22	13	9	240
61640.W0075	75	24.5	33	29.5	27	20	8	300



61650



Material

Rubber on silver zinc plated steel.

withstand under compression. Used where axial and radial loads are present.

Technical Notes

Static load relates to the load the unit can

For frequencies higher than 20Hz.

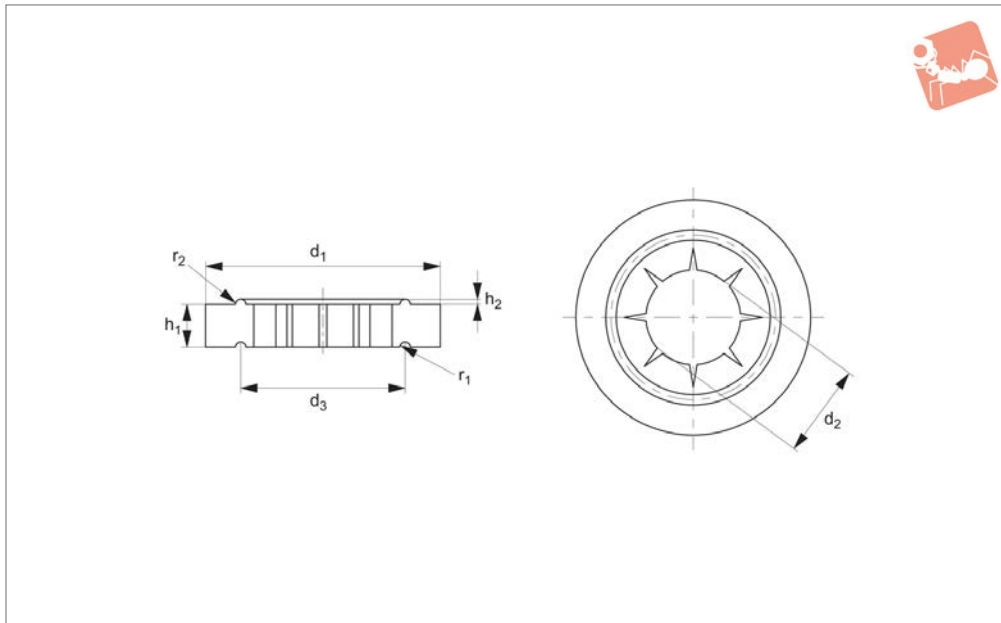
Order No.	Type	d ₁	d ₂	h ₁
61650.W0140	Type 1	40	12	20
61650.W0141	Type 1	40	14	15
61650.W0150	Type 1	50	16	20
61650.W0160	Type 1	60	22	30
61650.W0175	Type 1	75	25	25
61650.W0199	Type 1	100	32	60
61650.W0250	Type 2	50	15	30
61650.W0260	Type 2	60	20	30
61650.W0270	Type 2	70	20	30
61650.W0299	Type 2	100	41	35



Anti-vibration Rings

internal star design

Anti-Vibration



61730

ANTI-VIBRATION

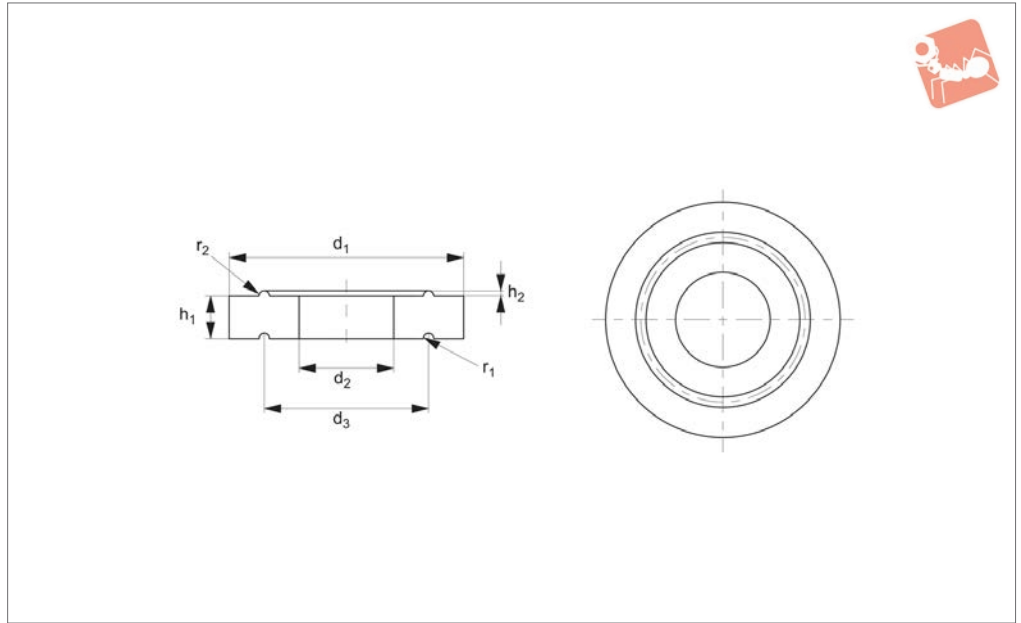
Material

Rubber on silver zinc plated steel (rubber hardness - 65 Shore A).

Order No.	d ₁	d ₂	d ₃	h ₁	h ₂	r ₁	r ₂	Compression max.	Axial load kgf max.
61730.W0001	162	66	114	30	2.5	4.5	2.5	5	2000
61730.W0002	170	95	125	23	2.5	5	2.5	4	2000
61730.W0003	210	88	164	24	2	4	2	4.5	6000



61760



ANTI-VIBRATION

Material

Rubber (hardness 70 Shore A).

Order No.	d ₁	d ₂	d ₃	h ₁	h ₂	r ₁	r ₂	Compression max.	Axial load kgf max.
61760.W0010	70	30	50	14	2	7	4	2	200
61760.W0020	72	32	52	23	2	2	2	7	400
61760.W0021	72	32	52	23	2	2	2	8.5	900
61760.W0022	76	37	58	12.5	3.5	2.5	2.5	2	550
61760.W0023	114	66	90	15	3	3	3	3.2	500
61760.W0024	114	66	90	15	3	3	3	5	1500
61760.W0030	116	52	84	23.5	2.5	3.5	2.5	3.5	800
61760.W0031	116	52	84	23.5	2.5	3.5	2.5	3.5	1000
61760.W0040	120	50	85	27.5	2.5	2.5	2.5	3.5	1000
61760.W0050	174	126	150	15	3	3	3	2	2000
61760.W0065	192	55	122	31	3	4	3	3.1	4340
61760.W0070	207	108	160	28	2	4	4	2.5	3000