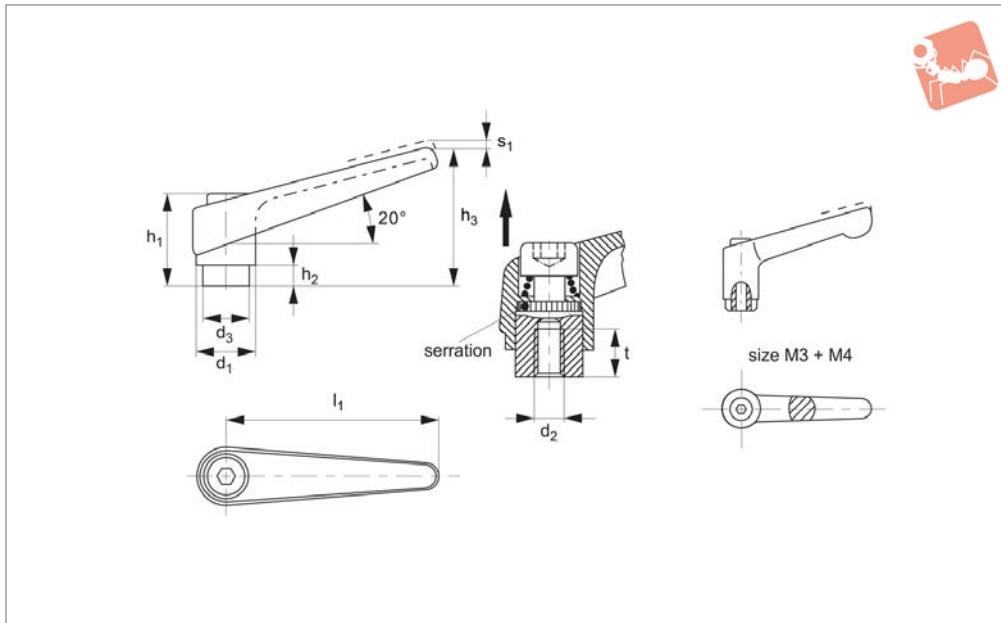




Adjustable Clamping Levers threaded bore

Clamping Levers



74410

CLAMPING LEVERS

Material

Handle: die-cast zinc.

- Orange RAL 2004
- Black RAL 9005
- Silver RAL 9006

Inner parts: steel, quality 5.8, blackened.
Threaded part: steel, quality 5, blackened.

Technical Notes

By lifting the lever, the serrations are

disengaged. The handle can be positioned by the serrations, and the threaded insert can be exchanged. Upon releasing the handle, the serrations are automatically re-engaged.

Order No.	Colour	Finish	d ₁	d ₂	d ₃	h ₁	h ₂	h ₃	l ₂	Stroke s ₁	t ≤	Weight g
74410.W0032	Orange	Female	13	M 3	10.0	24.5	4.0	30.5	30	3.5	7	25
74410.W0034	Black	Female	13	M 3	10.0	24.5	4.0	30.5	30	3.5	7	25
74410.W0035	Black	Female	13	M 3	10.0	24.5	4.0	30.5	30	3.5	7	26
74410.W0036	Orange	Female	13	M 4	10.0	24.5	4.0	30.5	30	3.5	9	25
74410.W0038	Black	Female	13	M 4	10.0	24.5	4.0	30.5	30	3.5	9	25
74410.W0040	Black	Female	13	M 4	10.0	24.5	4.0	30.5	30	3.5	9	25
74410.W0111	Orange	Female	14	M 5	10.0	24.5	4.0	35.0	45	3.0	8	33
74410.W0113	Grey	Female	14	M 5	10.0	24.5	4.0	35.0	45	3.0	8	33
74410.W0114	Black	Female	14	M 5	10.0	24.5	4.0	35.0	45	3.0	8	33
74410.W0121	Orange	Female	14	M 6	10.0	24.5	4.0	35.0	45	3.0	8	33
74410.W0123	Grey	Female	14	M 6	10.0	24.5	4.0	35.0	45	3.0	8	33
74410.W0124	Black	Female	14	M 6	10.0	24.5	4.0	35.0	45	3.0	8	33
74410.W0311	Orange	Female	18	M 6	13.5	31.0	6.5	45.0	62	3.0	10	67
74410.W0313	Grey	Female	18	M 6	13.5	31.0	6.5	45.0	62	3.0	10	67
74410.W0314	Black	Female	18	M 6	13.5	31.0	6.5	45.0	62	3.0	10	67
74410.W0321	Orange	Female	18	M 8	13.5	31.0	6.5	45.0	62	3.0	10	67
74410.W0323	Grey	Female	18	M 8	13.5	31.0	6.5	45.0	62	3.0	10	67
74410.W0324	Black	Female	18	M 8	13.5	31.0	6.5	45.0	62	3.0	10	67
74410.W0411	Orange	Female	22	M 8	16.0	36.0	8.0	52.0	74	3.5	14	112
74410.W0413	Grey	Female	22	M 8	16.0	36.0	8.0	52.0	74	3.5	14	112
74410.W0414	Black	Female	22	M 8	16.0	36.0	8.0	52.0	74	3.5	14	112
74410.W0421	Orange	Female	22	M10	16.0	36.0	8.0	52.0	74	3.5	14	109
74410.W0423	Grey	Female	22	M10	16.0	36.0	8.0	52.0	74	3.5	14	109
74410.W0424	Black	Female	22	M10	16.0	36.0	8.0	52.0	74	3.5	14	109
74410.W0511	Orange	Female	25	M10	19.0	43.0	11.0	63.0	89	4.0	17	176
74410.W0513	Grey	Female	25	M10	19.0	43.0	11.0	63.0	89	4.0	17	176
74410.W0514	Black	Female	25	M10	19.0	43.0	11.0	63.0	89	4.0	17	176
74410.W0521	Orange	Female	25	M12	19.0	43.0	11.0	63.0	89	4.0	17	171
74410.W0523	Grey	Female	25	M12	19.0	43.0	11.0	63.0	89	4.0	17	171
74410.W0524	Black	Female	25	M12	19.0	43.0	11.0	63.0	89	4.0	17	171
74410.W0611	Orange	Female	30	M12	23.0	50.5	12.0	76.0	108	5.0	22	286
74410.W0613	Grey	Female	30	M12	23.0	50.5	12.0	76.0	108	5.0	22	286
74410.W0614	Black	Female	30	M12	23.0	50.5	12.0	76.0	108	5.0	22	286

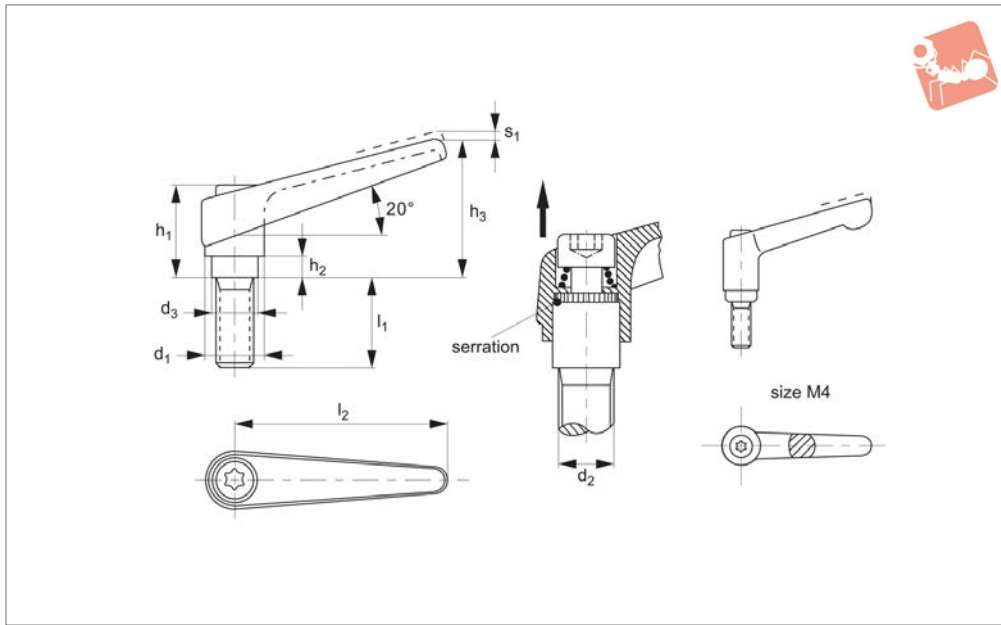


Order No.	Colour	Finish	d ₁	d ₂	d ₃	h ₁	h ₂	h ₃	l ₂	Stroke s ₁	t ≤	Weight g
74410.W0621	Orange	Female	30	M16	23.0	50.5	12.0	76.0	108	5.0	22	269
74410.W0623	Grey	Female	30	M16	23.0	50.5	12.0	76.0	108	5.0	22	269
74410.W0624	Black	Female	30	M16	23.0	50.5	12.0	76.0	108	5.0	22	269



Adjustable Clamping Levers with grub screw

Clamping Levers



74430

CLAMPING LEVERS

Material

Handle: die-cast zinc.

- Orange RAL 2004
- Black RAL 9005
- Silver RAL 9006.

Inner parts: steel, quality 5.8, blackened
Screw: steel, quality 5.8, blackened.

Technical Notes

By lifting the lever, the serrations are

disengaged. The handle can be positioned by the serrations, and the threaded insert can be exchanged. Upon releasing the handle, the serrations are automatically re-engaged. The collar screw is torx head.

Order No.	Colour	Finish	d ₁	d ₂	d ₃	h ₁	h ₂	h ₃	l ₁	l ₂	Stroke s ₁	Weight g
74430.W0010	Orange	Male thread	13	M 4	10.0	24.5	4.0	30.5	12	30	3.5	27
74430.W0012	Black	Male thread	13	M 4	10.0	24.5	4.0	30.5	12	30	3.5	27
74430.W0014	Orange	Male thread	13	M 4	10.0	24.5	4.0	30.5	16	30	3.5	27
74430.W0016	Black	Male thread	13	M 4	10.0	24.5	4.0	30.5	16	30	3.5	27
74430.W0018	Orange	Male thread	13	M 4	10.0	24.5	4.0	30.5	20	30	3.5	27
74430.W0020	Black	Male thread	13	M 4	10.0	24.5	4.0	30.5	20	30	3.5	27
74430.W0022	Orange	Male thread	13	M 4	10.0	24.5	4.0	30.5	25	30	3.5	28
74430.W0024	Black	Male thread	13	M 4	10.0	24.5	4.0	30.5	25	30	3.5	28
74430.W0026	Orange	Male thread	13	M 4	10.0	24.5	4.0	30.5	32	30	3.5	28
74430.W0028	Black	Male thread	13	M 4	10.0	24.5	4.0	30.5	32	30	3.5	28
74430.W0041	Orange	Male thread	14	M 5	10.0	24.5	4.0	35.0	12	45	3.0	36
74430.W0043	Grey	Male thread	14	M 5	10.0	24.5	4.0	35.0	12	45	3.0	36
74430.W0044	Black	Male thread	14	M 5	10.0	24.5	4.0	35.0	12	45	3.0	36
74430.W0051	Orange	Male thread	14	M 5	10.0	24.5	4.0	35.0	16	45	3.0	36
74430.W0053	Grey	Male thread	14	M 5	10.0	24.5	4.0	35.0	16	45	3.0	36
74430.W0054	Black	Male thread	14	M 5	10.0	24.5	4.0	35.0	16	45	3.0	36
74430.W0061	Orange	Male thread	14	M 5	10.0	24.5	4.0	35.0	20	45	3.0	37
74430.W0063	Grey	Male thread	14	M 5	10.0	24.5	4.0	35.0	20	45	3.0	37
74430.W0064	Black	Male thread	14	M 5	10.0	24.5	4.0	35.0	20	45	3.0	37
74430.W0071	Orange	Male thread	14	M 5	10.0	24.5	4.0	35.0	25	45	3.0	38
74430.W0073	Grey	Male thread	14	M 5	10.0	24.5	4.0	35.0	25	45	3.0	38
74430.W0074	Black	Male thread	14	M 5	10.0	24.5	4.0	35.0	25	45	3.0	38
74430.W0081	Orange	Male thread	14	M 5	10.0	24.5	4.0	35.0	32	45	3.0	38
74430.W0083	Grey	Male thread	14	M 5	10.0	24.5	4.0	35.0	32	45	3.0	38
74430.W0084	Black	Male thread	14	M 5	10.0	24.5	4.0	35.0	32	45	3.0	38
74430.W0086	Orange	Male thread	14	M 5	10.0	24.5	4.0	35.0	40	45	3.0	39
74430.W0088	Grey	Male thread	14	M 5	10.0	24.5	4.0	35.0	40	45	3.0	39
74430.W0089	Black	Male thread	14	M 5	10.0	24.5	4.0	35.0	40	45	3.0	39
74430.W0131	Orange	Male thread	14	M 6	10.0	24.5	4.0	35.0	12	45	3.0	37
74430.W0133	Grey	Male thread	14	M 6	10.0	24.5	4.0	35.0	12	45	3.0	37
74430.W0134	Black	Male thread	14	M 6	10.0	24.5	4.0	35.0	12	45	3.0	37
74430.W0141	Orange	Male thread	14	M 6	10.0	24.5	4.0	35.0	16	45	3.0	37
74430.W0143	Grey	Male thread	14	M 6	10.0	24.5	4.0	35.0	16	45	3.0	37



Order No.	Colour	Finish	d ₁	d ₂	d ₃	h ₁	h ₂	h ₃	l ₁	l ₂	Stroke s ₁	Weight g
74430.W0144	Black	Male thread	14	M 6	10.0	24.5	4.0	35.0	16	45	3.0	37
74430.W0151	Orange	Male thread	14	M 6	10.0	24.5	4.0	35.0	20	45	3.0	38
74430.W0153	Grey	Male thread	14	M 6	10.0	24.5	4.0	35.0	20	45	3.0	38
74430.W0154	Black	Male thread	14	M 6	10.0	24.5	4.0	35.0	20	45	3.0	38
74430.W0161	Orange	Male thread	14	M 6	10.0	24.5	4.0	35.0	25	45	3.0	39
74430.W0163	Grey	Male thread	14	M 6	10.0	24.5	4.0	35.0	25	45	3.0	39
74430.W0164	Black	Male thread	14	M 6	10.0	24.5	4.0	35.0	25	45	3.0	39
74430.W0171	Orange	Male thread	14	M 6	10.0	24.5	4.0	35.0	32	45	3.0	40
74430.W0173	Grey	Male thread	14	M 6	10.0	24.5	4.0	35.0	32	45	3.0	40
74430.W0174	Black	Male thread	14	M 6	10.0	24.5	4.0	35.0	32	45	3.0	40
74430.W0181	Orange	Male thread	14	M 6	10.0	24.5	4.0	35.0	40	45	3.0	41
74430.W0183	Grey	Male thread	14	M 6	10.0	24.5	4.0	35.0	40	45	3.0	41
74430.W0184	Black	Male thread	14	M 6	10.0	24.5	4.0	35.0	40	45	3.0	41
74430.W0191	Orange	Male thread	14	M 6	10.0	24.5	4.0	35.0	50	45	3.0	43
74430.W0193	Grey	Male thread	14	M 6	10.0	24.5	4.0	35.0	50	45	3.0	43
74430.W0194	Black	Male thread	14	M 6	10.0	24.5	4.0	35.0	50	45	3.0	43
74430.W0221	Orange	Male thread	18	M 6	13.5	31.0	6.5	45.0	16	62	3.0	72
74430.W0223	Grey	Male thread	18	M 6	13.5	31.0	6.5	45.0	16	62	3.0	72
74430.W0224	Black	Male thread	18	M 6	13.5	31.0	6.5	45.0	16	62	3.0	72
74430.W0231	Orange	Male thread	18	M 6	13.5	31.0	6.5	45.0	20	62	3.0	72
74430.W0233	Grey	Male thread	18	M 6	13.5	31.0	6.5	45.0	20	62	3.0	72
74430.W0234	Black	Male thread	18	M 6	13.5	31.0	6.5	45.0	20	62	3.0	72
74430.W0241	Orange	Male thread	18	M 6	13.5	31.0	6.5	45.0	25	62	3.0	74
74430.W0243	Grey	Male thread	18	M 6	13.5	31.0	6.5	45.0	25	62	3.0	74
74430.W0244	Black	Male thread	18	M 6	13.5	31.0	6.5	45.0	25	62	3.0	74
74430.W0251	Orange	Male thread	18	M 6	13.5	31.0	6.5	45.0	32	62	3.0	74
74430.W0253	Grey	Male thread	18	M 6	13.5	31.0	6.5	45.0	32	62	3.0	74
74430.W0254	Black	Male thread	18	M 6	13.5	31.0	6.5	45.0	32	62	3.0	74
74430.W0261	Orange	Male thread	18	M 6	13.5	31.0	6.5	45.0	40	62	3.0	76
74430.W0263	Grey	Male thread	18	M 6	13.5	31.0	6.5	45.0	40	62	3.0	76
74430.W0264	Black	Male thread	18	M 6	13.5	31.0	6.5	45.0	40	62	3.0	76
74430.W0271	Orange	Male thread	18	M 6	13.5	31.0	6.5	45.0	50	62	3.0	76
74430.W0273	Grey	Male thread	18	M 6	13.5	31.0	6.5	45.0	50	62	3.0	76
74430.W0274	Black	Male thread	18	M 6	13.5	31.0	6.5	45.0	50	62	3.0	76
74430.W0281	Orange	Male thread	18	M 6	13.5	31.0	6.5	45.0	63	62	3.0	80
74430.W0283	Grey	Male thread	18	M 6	13.5	31.0	6.5	45.0	63	62	3.0	80
74430.W0284	Black	Male thread	18	M 6	13.5	31.0	6.5	45.0	63	62	3.0	80
74430.W0331	Orange	Male thread	18	M 8	13.5	31.0	6.5	45.0	16	62	3.0	74
74430.W0333	Grey	Male thread	18	M 8	13.5	31.0	6.5	45.0	16	62	3.0	74
74430.W0334	Black	Male thread	18	M 8	13.5	31.0	6.5	45.0	16	62	3.0	74
74430.W0341	Orange	Male thread	18	M 8	13.5	31.0	6.5	45.0	20	62	3.0	76
74430.W0343	Grey	Male thread	18	M 8	13.5	31.0	6.5	45.0	20	62	3.0	76
74430.W0344	Black	Male thread	18	M 8	13.5	31.0	6.5	45.0	20	62	3.0	76
74430.W0351	Orange	Male thread	18	M 8	13.5	31.0	6.5	45.0	25	62	3.0	77
74430.W0353	Grey	Male thread	18	M 8	13.5	31.0	6.5	45.0	25	62	3.0	77
74430.W0354	Black	Male thread	18	M 8	13.5	31.0	6.5	45.0	25	62	3.0	77
74430.W0361	Orange	Male thread	18	M 8	13.5	31.0	6.5	45.0	32	62	3.0	79
74430.W0363	Grey	Male thread	18	M 8	13.5	31.0	6.5	45.0	32	62	3.0	79
74430.W0364	Black	Male thread	18	M 8	13.5	31.0	6.5	45.0	32	62	3.0	79
74430.W0371	Orange	Male thread	18	M 8	13.5	31.0	6.5	45.0	40	62	3.0	81
74430.W0373	Grey	Male thread	18	M 8	13.5	31.0	6.5	45.0	40	62	3.0	81
74430.W0374	Black	Male thread	18	M 8	13.5	31.0	6.5	45.0	40	62	3.0	81
74430.W0381	Orange	Male thread	18	M 8	13.5	31.0	6.5	45.0	50	62	3.0	84
74430.W0383	Grey	Male thread	18	M 8	13.5	31.0	6.5	45.0	50	62	3.0	84
74430.W0384	Black	Male thread	18	M 8	13.5	31.0	6.5	45.0	50	62	3.0	84
74430.W0391	Orange	Male thread	18	M 8	13.5	31.0	6.5	45.0	63	62	3.0	89
74430.W0393	Grey	Male thread	18	M 8	13.5	31.0	6.5	45.0	63	62	3.0	89
74430.W0394	Black	Male thread	18	M 8	13.5	31.0	6.5	45.0	63	62	3.0	89
74430.W0441	Orange	Male thread	22	M10	16.0	36.0	8.0	52.0	20	74	3.5	128
74430.W0443	Grey	Male thread	22	M10	16.0	36.0	8.0	52.0	20	74	3.5	128
74430.W0444	Black	Male thread	22	M10	16.0	36.0	8.0	52.0	20	74	3.5	128
74430.W0451	Orange	Male thread	22	M10	16.0	36.0	8.0	52.0	25	74	3.5	130
74430.W0453	Grey	Male thread	22	M10	16.0	36.0	8.0	52.0	25	74	3.5	130
74430.W0454	Black	Male thread	22	M10	16.0	36.0	8.0	52.0	25	74	3.5	130
74430.W0461	Orange	Male thread	22	M10	16.0	36.0	8.0	52.0	32	74	3.5	134
74430.W0463	Grey	Male thread	22	M10	16.0	36.0	8.0	52.0	32	74	3.5	134
74430.W0464	Black	Male thread	22	M10	16.0	36.0	8.0	52.0	32	74	3.5	134
74430.W0471	Orange	Male thread	22	M10	16.0	36.0	8.0	52.0	40	74	3.5	138



Adjustable Clamping Levers with grub screw

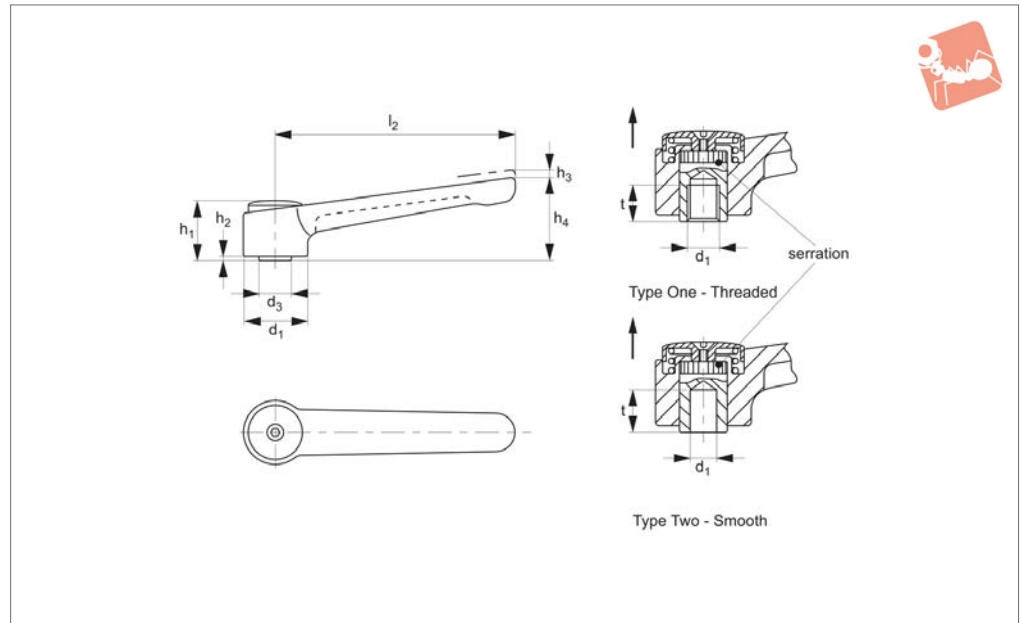


Order No.	Colour	Finish	d ₁	d ₂	d ₃	h ₁	h ₂	h ₃	l ₁	l ₂	Stroke s ₁	Weight g
74430.W0473	Grey	Male thread	22	M10	16.0	36.0	8.0	52.0	40	74	3.5	138
74430.W0474	Black	Male thread	22	M10	16.0	36.0	8.0	52.0	40	74	3.5	138
74430.W0481	Orange	Male thread	22	M10	16.0	36.0	8.0	52.0	50	74	3.5	143
74430.W0483	Grey	Male thread	22	M10	16.0	36.0	8.0	52.0	50	74	3.5	143
74430.W0484	Black	Male thread	22	M10	16.0	36.0	8.0	52.0	50	74	3.5	143
74430.W0486	Orange	Male thread	22	M10	16.0	36.0	8.0	52.0	63	74	3.5	148
74430.W0488	Grey	Male thread	22	M10	16.0	36.0	8.0	52.0	63	74	3.5	148
74430.W0489	Black	Male thread	22	M10	16.0	36.0	8.0	52.0	63	74	3.5	148
74430.W0491	Orange	Male thread	22	M10	16.0	36.0	8.0	52.0	80	74	3.5	157
74430.W0493	Grey	Male thread	22	M10	16.0	36.0	8.0	52.0	80	74	3.5	157
74430.W0494	Black	Male thread	22	M10	16.0	36.0	8.0	52.0	80	74	3.5	157
74430.W0541	Orange	Male thread	25	M12	19.0	43.0	11.0	63.0	25	89	4.0	205
74430.W0543	Grey	Male thread	25	M12	19.0	43.0	11.0	63.0	25	89	4.0	205
74430.W0544	Black	Male thread	25	M12	19.0	43.0	11.0	63.0	25	89	4.0	205
74430.W0551	Orange	Male thread	25	M12	19.0	43.0	11.0	63.0	32	89	4.0	209
74430.W0553	Grey	Male thread	25	M12	19.0	43.0	11.0	63.0	32	89	4.0	209
74430.W0554	Black	Male thread	25	M12	19.0	43.0	11.0	63.0	32	89	4.0	209
74430.W0561	Orange	Male thread	25	M12	19.0	43.0	11.0	63.0	40	89	4.0	215
74430.W0563	Grey	Male thread	25	M12	19.0	43.0	11.0	63.0	40	89	4.0	215
74430.W0564	Black	Male thread	25	M12	19.0	43.0	11.0	63.0	40	89	4.0	215
74430.W0571	Orange	Male thread	25	M12	19.0	43.0	11.0	63.0	50	89	4.0	222
74430.W0573	Grey	Male thread	25	M12	19.0	43.0	11.0	63.0	50	89	4.0	222
74430.W0574	Black	Male thread	25	M12	19.0	43.0	11.0	63.0	50	89	4.0	222
74430.W0581	Orange	Male thread	25	M12	19.0	43.0	11.0	63.0	63	89	4.0	232
74430.W0583	Grey	Male thread	25	M12	19.0	43.0	11.0	63.0	63	89	4.0	232
74430.W0584	Black	Male thread	25	M12	19.0	43.0	11.0	63.0	63	89	4.0	232
74430.W0591	Orange	Male thread	25	M12	19.0	43.0	11.0	63.0	80	89	4.0	244
74430.W0593	Grey	Male thread	25	M12	19.0	43.0	11.0	63.0	80	89	4.0	244
74430.W0594	Black	Male thread	25	M12	19.0	43.0	11.0	63.0	80	89	4.0	244
74430.W0641	Orange	Male thread	30	M16	23.0	50.5	12.0	76.0	32	108	5.0	348
74430.W0643	Grey	Male thread	30	M16	23.0	50.5	12.0	76.0	32	108	5.0	348
74430.W0644	Black	Male thread	30	M16	23.0	50.5	12.0	76.0	32	108	5.0	348
74430.W0651	Orange	Male thread	30	M16	23.0	50.5	12.0	76.0	40	108	5.0	357
74430.W0653	Grey	Male thread	30	M16	23.0	50.5	12.0	76.0	40	108	5.0	357
74430.W0654	Black	Male thread	30	M16	23.0	50.5	12.0	76.0	40	108	5.0	357
74430.W0661	Orange	Male thread	30	M16	23.0	50.5	12.0	76.0	50	108	5.0	370
74430.W0663	Grey	Male thread	30	M16	23.0	50.5	12.0	76.0	50	108	5.0	370
74430.W0664	Black	Male thread	30	M16	23.0	50.5	12.0	76.0	50	108	5.0	370
74430.W0671	Orange	Male thread	30	M16	23.0	50.5	12.0	76.0	63	108	5.0	386
74430.W0673	Grey	Male thread	30	M16	23.0	50.5	12.0	76.0	63	108	5.0	386
74430.W0674	Black	Male thread	30	M16	23.0	50.5	12.0	76.0	63	108	5.0	386
74430.W0681	Orange	Male thread	30	M16	23.0	50.5	12.0	76.0	80	108	5.0	407
74430.W0683	Grey	Male thread	30	M16	23.0	50.5	12.0	76.0	80	108	5.0	407
74430.W0684	Black	Male thread	30	M16	23.0	50.5	12.0	76.0	80	108	5.0	407

CLAMPING LEVERS



74490



Material

Lever: Zinc die-cast, plastic coated, matt
 Black - similar to RAL 9005
 Silver - similar to RAL 9006
 Inner: Steel, blackened
 Cover: Plastic.

Technical Notes

By lifting up the lever, the serrations are disengaged and the handle can then be swung to any position. On releasing the serrations are automatically re-engaged.

Available with smooth bore.

Tips

Suitable for use in restricted areas due to low height and adjustable lever.

Order No.	Type, colour	d ₁	d ₂	d ₂ tol. H7	d ₃	h ₁	h ₂	h ₃	h ₄	l ₂	t min.	Weight g
74490.W0005	One, Black	32	M 8	-	16	29.5	2	2.5	41.5	120	14	186
74490.W0010	One, Black	32	M10	-	16	29.5	2	2.5	41.5	120	14	183
74490.W0015	One, Black	32	M12	-	16	29.5	2	2.5	41.5	120	14	179
74490.W0020	One, Black	40	M12	-	23	42.0	4	4.0	56.0	145	22	313
74490.W0025	One, Black	40	M16	-	23	42.0	4	4.0	56.0	145	22	373
74490.W0105	One, Silver	32	M 8	-	16	29.5	2	2.5	41.5	120	14	186
74490.W0110	One, Silver	32	M10	-	16	29.5	2	2.5	41.5	120	14	183
74490.W0115	One, Silver	32	M12	-	16	29.5	2	2.5	41.5	120	14	179
74490.W0120	One, Silver	40	M12	-	23	42.0	4	4.0	56.0	145	22	313
74490.W0125	One, Silver	40	M16	-	23	42.0	4	4.0	56.0	145	22	373
74490.W0050	Two, Black	32	-	8	16	29.5	2	2.5	41.5	120	14	188
74490.W0051	Two, Black	32	-	10	16	29.5	2	2.5	41.5	120	14	185
74490.W0052	Two, Black	40	-	12	23	42.0	4	4.0	56.0	145	22	387
74490.W0053	Two, Black	40	-	16	23	42.0	4	4.0	56.0	145	22	389
74490.W0150	Two, Silver	32	-	8	16	29.5	2	2.5	41.5	120	14	188
74490.W0151	Two, Silver	32	-	10	16	29.5	2	2.5	41.5	120	14	185
74490.W0152	Two, Silver	40	-	12	23	42.0	4	4.0	56.0	145	22	387
74490.W0153	Two, Silver	40	-	16	23	42.0	4	4.0	56.0	145	22	389

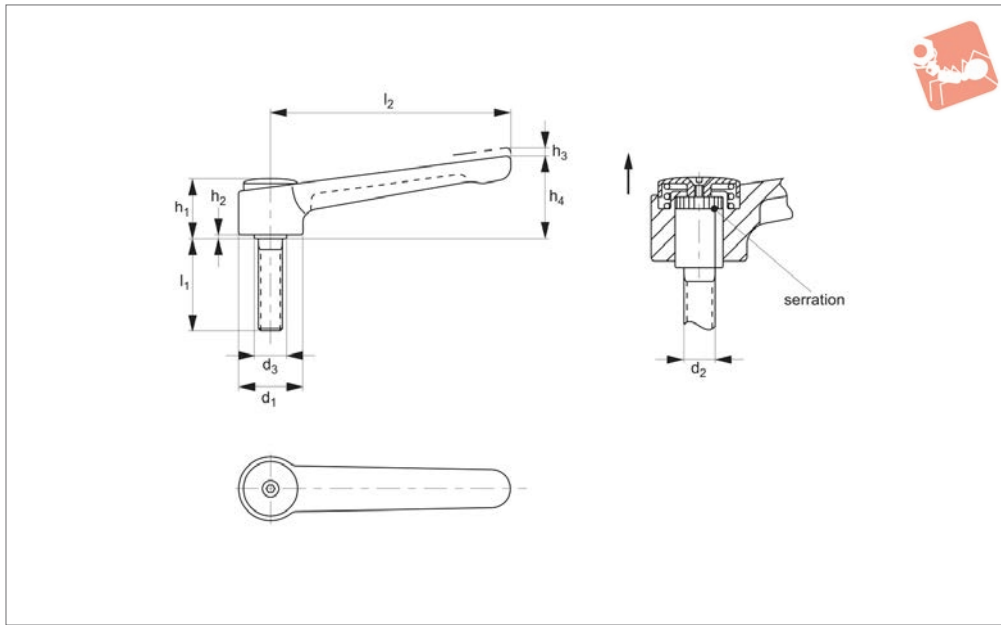


Adjustable Clamping Levers

cast zinc, inner parts steel



Clamping Levers



74494

CLAMPING LEVERS

Material

Lever: Zinc die-cast, plastic coated, matt
 Black - similar to RAL 9005
 Silver - similar to RAL 9006
 Inner: Steel, blackened
 Screw: Steel, blackened
 Cover: Plastic.

Technical Notes

By lifting up the lever, the serrations are disengaged and the handle can then be swung to any position. On releasing the serrations are automatically re-engaged.

Screw part can be changed.

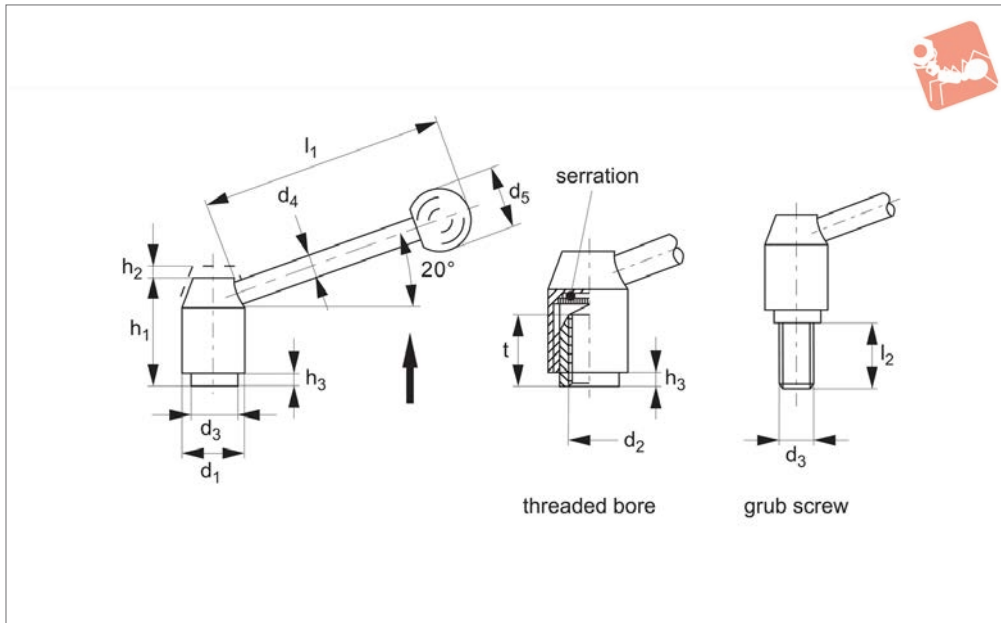
Tips

Suitable for use in restricted areas due to low height and adjustable lever.
 Screw part can be changed.

Order No.	Colour	d ₁	d ₂	d ₃	h ₁	h ₂	h ₃	h ₄	l ₁	l ₂	Weight g
74494.W0450	Black	32	M10	16	29.5	2	2.5	41.5	20	120	202
74494.W0455	Black	32	M10	16	29.5	2	2.5	41.5	25	120	204
74494.W0460	Black	32	M10	16	29.5	2	2.5	41.5	32	120	207
74494.W0465	Black	32	M10	16	29.5	2	2.5	41.5	40	120	211
74494.W0470	Black	32	M10	16	29.5	2	2.5	41.5	50	120	216
74494.W0475	Black	32	M10	16	29.5	2	2.5	41.5	63	120	222
74494.W0480	Black	32	M10	16	29.5	2	2.5	41.5	80	120	231
74494.W0485	Black	32	M12	16	29.5	2	2.5	41.5	20	120	206
74494.W0490	Black	32	M12	16	29.5	2	2.5	41.5	25	120	210
74494.W0495	Black	32	M12	16	29.5	2	2.5	41.5	32	120	215
74494.W0500	Black	32	M12	16	29.5	2	2.5	41.5	40	120	221
74494.W0505	Black	32	M12	16	29.5	2	2.5	41.5	50	120	228
74494.W0510	Black	32	M12	16	29.5	2	2.5	41.5	63	120	236
74494.W0515	Black	32	M12	16	29.5	2	2.5	41.5	80	120	248
74494.W0525	Black	40	M12	23	42.0	4	4.0	56.0	32	145	434
74494.W0530	Black	40	M12	23	42.0	4	4.0	56.0	40	145	440
74494.W0535	Black	40	M12	23	42.0	4	4.0	56.0	50	145	447
74494.W0540	Black	40	M12	23	42.0	4	4.0	56.0	63	145	455
74494.W0545	Black	40	M12	23	42.0	4	4.0	56.0	80	145	467
74494.W0550	Black	40	M16	23	42.0	4	4.0	56.0	32	145	449
74494.W0555	Black	40	M16	23	42.0	4	4.0	56.0	40	145	460
74494.W0560	Black	40	M16	23	42.0	4	4.0	56.0	50	145	472
74494.W0565	Black	40	M16	23	42.0	4	4.0	56.0	63	145	491
74494.W0570	Black	40	M16	23	42.0	4	4.0	56.0	80	145	513
74494.W0850	Silver	32	M10	16	29.5	2	2.5	41.5	20	120	202
74494.W0855	Silver	32	M10	16	29.5	2	2.5	41.5	25	120	204
74494.W0860	Silver	32	M10	16	29.5	2	2.5	41.5	32	120	207
74494.W0865	Silver	32	M10	16	29.5	2	2.5	41.5	40	120	211
74494.W0870	Silver	32	M10	16	29.5	2	2.5	41.5	50	120	216
74494.W0875	Silver	32	M10	16	29.5	2	2.5	41.5	63	120	222
74494.W0880	Silver	32	M10	16	29.5	2	2.5	41.5	80	120	231



Order No.	Colour	d ₁	d ₂	d ₃	h ₁	h ₂	h ₃	h ₄	l ₁	l ₂	Weight g
74494.W0885	Silver	32	M12	16	29.5	2	2.5	41.5	20	120	206
74494.W0890	Silver	32	M12	16	29.5	2	2.5	41.5	25	120	210
74494.W0895	Silver	32	M12	16	29.5	2	2.5	41.5	32	120	215
74494.W0900	Silver	32	M12	16	29.5	2	2.5	41.5	40	120	221
74494.W0905	Silver	32	M12	16	29.5	2	2.5	41.5	50	120	228
74494.W0910	Silver	32	M12	16	29.5	2	2.5	41.5	63	120	236
74494.W0915	Silver	32	M12	16	29.5	2	2.5	41.5	80	120	248
74494.W0925	Silver	40	M12	23	42.0	4	4.0	56.0	32	145	434
74494.W0930	Silver	40	M12	23	42.0	4	4.0	56.0	40	145	440
74494.W0935	Silver	40	M12	23	42.0	4	4.0	56.0	50	145	447
74494.W0940	Silver	40	M12	23	42.0	4	4.0	56.0	63	145	455
74494.W0945	Silver	40	M12	23	42.0	4	4.0	56.0	80	145	467
74494.W0950	Silver	40	M16	23	42.0	4	4.0	56.0	32	145	449
74494.W0955	Silver	40	M16	23	42.0	4	4.0	56.0	40	145	460
74494.W0960	Silver	40	M16	23	42.0	4	4.0	56.0	50	145	472
74494.W0965	Silver	40	M16	23	42.0	4	4.0	56.0	63	145	491
74494.W0970	Silver	40	M16	23	42.0	4	4.0	56.0	80	145	513



74500

CLAMPING LEVERS

Material

Lever: free cutting steel, blackened.
Screw & inner parts: steel, quality 5.8, blackened.

Ball knob: DIN 319 plastic. (PF 31), black.

Technical Notes

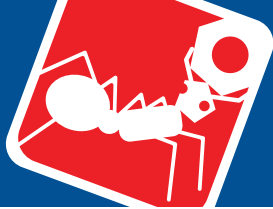
By lifting up the lever, the serrations are

disengaged and the handle can then be swung to any position. On releasing the serrations are automatically re-engaged.

Order No.	Finish	d ₁	d ₂	d ₃	d ₄	d ₅	h ₁	h ₂	h ₃	l ₁ ≈	l ₂	t min.	Weight g
74500.W0101	Threaded Bore	21	M 6	13.5	8	20	33.5	4.0	1.0	70	-	11	91
74500.W0102	Threaded Bore	21	M 8	13.5	8	20	33.5	4.0	1.0	70	-	11	89
74500.W0201	Threaded Bore	24	M 8	16.0	10	25	40.0	4.5	2.5	96	-	14	159
74500.W0202	Threaded Bore	24	M10	16.0	10	25	40.0	4.5	2.5	96	-	14	153
74500.W0301	Threaded Bore	28	M10	19.0	12	30	48.5	4.5	4.5	110	-	17	255
74500.W0302	Threaded Bore	28	M12	19.0	12	30	48.5	4.5	4.5	110	-	17	248
74500.W0401	Threaded Bore	33	M12	23.0	12	32	55.0	5.5	6.0	124	-	23	361
74500.W0402	Threaded Bore	33	M16	23.0	12	32	55.0	5.5	6.0	124	-	23	347
74500.W0501	Threaded Bore	40	M16	30.0	14	35	68.0	5.5	6.0	138	-	36	622
74500.W0502	Threaded Bore	40	M20	30.0	14	35	68.0	5.5	6.0	138	-	36	599
74500.W0120	Grub Screw	21	M 8	13.5	8	20	33.5	4.0	1.0	70	12	-	98
74500.W0122	Grub Screw	21	M 8	13.5	8	20	33.5	4.0	1.0	70	16	-	99
74500.W0124	Grub Screw	21	M 8	13.5	8	20	33.5	4.0	1.0	70	20	-	103
74500.W0126	Grub Screw	21	M 8	13.5	8	20	33.5	4.0	1.0	70	25	-	102
74500.W0128	Grub Screw	21	M 8	13.5	8	20	33.5	4.0	1.0	70	32	-	105
74500.W0130	Grub Screw	21	M 8	13.5	8	20	33.5	4.0	1.0	70	40	-	112
74500.W0132	Grub Screw	21	M 8	13.5	8	20	33.5	4.0	1.0	70	50	-	109
74500.W0134	Grub Screw	21	M 8	13.5	8	20	33.5	4.0	1.0	70	63	-	114
74500.W0220	Grub Screw	24	M10	16.0	10	25	40.0	4.5	2.5	96	16	-	172
74500.W0222	Grub Screw	24	M10	16.0	10	25	40.0	4.5	2.5	96	20	-	173
74500.W0224	Grub Screw	24	M10	16.0	10	25	40.0	4.5	2.5	96	25	-	174
74500.W0226	Grub Screw	24	M10	16.0	10	25	40.0	4.5	2.5	96	32	-	177
74500.W0228	Grub Screw	24	M10	16.0	10	25	40.0	4.5	2.5	96	40	-	184
74500.W0230	Grub Screw	24	M10	16.0	10	25	40.0	4.5	2.5	96	50	-	185
74500.W0232	Grub Screw	24	M10	16.0	10	25	40.0	4.5	2.5	96	63	-	195
74500.W0234	Grub Screw	24	M10	16.0	10	25	40.0	4.5	2.5	96	80	-	205
74500.W0318	Grub Screw	28	M12	19.0	12	30	48.5	4.5	4.5	110	16	-	277
74500.W0320	Grub Screw	28	M12	19.0	12	30	48.5	4.5	4.5	110	20	-	282
74500.W0322	Grub Screw	28	M12	19.0	12	30	48.5	4.5	4.5	110	25	-	283
74500.W0324	Grub Screw	28	M12	19.0	12	30	48.5	4.5	4.5	110	32	-	287
74500.W0326	Grub Screw	28	M12	19.0	12	30	48.5	4.5	4.5	110	40	-	298
74500.W0328	Grub Screw	28	M12	19.0	12	30	48.5	4.5	4.5	110	50	-	302
74500.W0330	Grub Screw	28	M12	19.0	12	30	48.5	4.5	4.5	110	63	-	312
74500.W0332	Grub Screw	28	M12	19.0	12	30	48.5	4.5	4.5	110	80	-	320



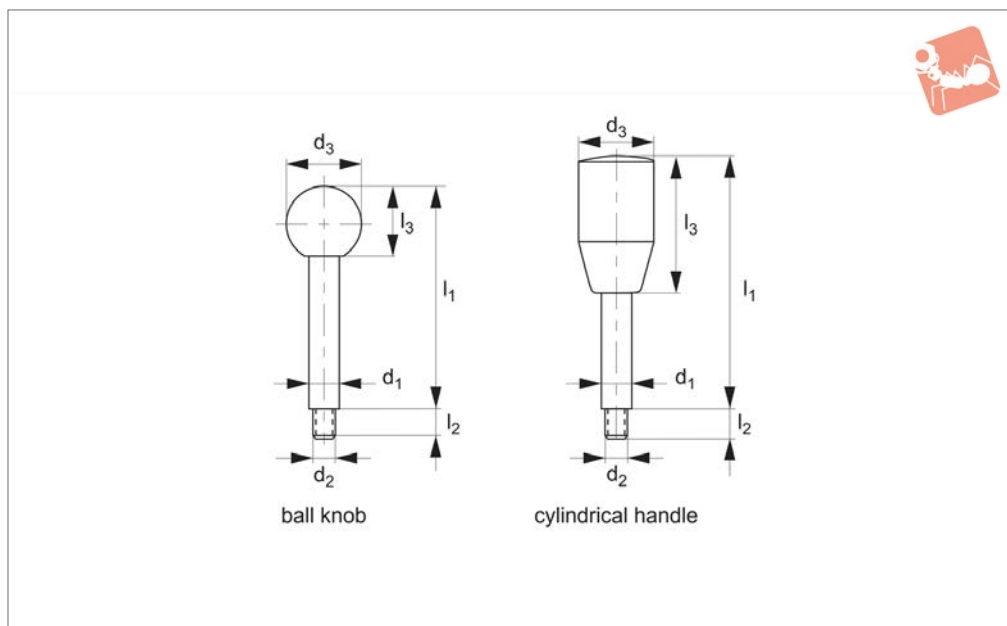
Order No.	Finish	d ₁	d ₂	d ₃	d ₄	d ₅	h ₁	h ₂	h ₃	l ₁ ≈	l ₂	t min.	Weight g
74500.W0422	Grub Screw	33	M16	23.0	12	32	55.0	5.5	6.0	124	32	-	422
74500.W0424	Grub Screw	33	M16	23.0	12	32	55.0	5.5	6.0	124	40	-	439
74500.W0426	Grub Screw	33	M16	23.0	12	32	55.0	5.5	6.0	124	50	-	446
74500.W0428	Grub Screw	33	M16	23.0	12	32	55.0	5.5	6.0	124	63	-	461
74500.W0430	Grub Screw	33	M16	23.0	12	32	55.0	5.5	6.0	124	80	-	486
74500.W0520	Grub Screw	40	M20	30.0	14	35	68.0	5.5	6.0	138	40	-	772
74500.W0522	Grub Screw	40	M20	30.0	14	35	68.0	5.5	6.0	138	50	-	792
74500.W0524	Grub Screw	40	M20	30.0	14	35	68.0	5.5	6.0	138	63	-	826
74500.W0526	Grub Screw	40	M20	30.0	14	35	68.0	5.5	6.0	138	80	-	859



Gear Lever Handles

steel or stainless steel

Clamping Levers



74600

CLAMPING LEVERS

Material

Shafts: steel, galvanized, passivated or stainless steel 1.4305 (AISI 303) - matt

finish.

Temperature range 110°C.
Knobs: plastic, duroplast PF 31.

Technical Notes

Temperature range up to 110°C

Order No.	Type	d ₁	d ₂	d ₃	l ₁	l ₂	l ₃	Weight g
74600.W0020	Steel Shaft - Ball	8	M 6	20	63	9	18.0	30
74600.W0022	Steel Shaft - Ball	8	M 6	20	100	9	18.0	39
74600.W0025	Steel Shaft - Ball	10	M 8	25	80	11	22.5	50
74600.W0026	Steel Shaft - Ball	10	M 8	25	100	11	22.5	62
74600.W0027	Steel Shaft - Ball	10	M 8	25	125	11	22.5	76
74600.W0032	Steel Shaft - Ball	12	M10	32	100	14	29.0	96
74600.W0033	Steel Shaft - Ball	12	M10	32	125	14	29.0	118
74600.W0034	Steel Shaft - Ball	12	M10	32	160	14	29.0	146
74600.W0035	Steel Shaft - Ball	14	M12	35	125	16	32.5	157
74600.W0036	Steel Shaft - Ball	14	M12	35	160	16	32.5	203
74600.W0037	Steel Shaft - Ball	14	M12	35	200	16	32.5	251
74600.W0040	Steel Shaft - Ball	16	M14	40	160	18	37.0	310
74600.W0041	Steel Shaft - Ball	16	M14	40	200	18	37.0	326
74600.W0042	Steel Shaft - Ball	16	M14	40	250	18	37.0	397
74600.W0520	Stainless Shaft - Ball	8	M 6	20	63	9	18.0	30
74600.W0522	Stainless Shaft - Ball	8	M 6	20	100	9	18.0	44
74600.W0525	Stainless Shaft - Ball	10	M 8	25	80	11	22.5	55
74600.W0526	Stainless Shaft - Ball	10	M 8	25	100	11	22.5	63
74600.W0527	Stainless Shaft - Ball	10	M 8	25	125	11	22.5	78
74600.W0530	Stainless Shaft - Ball	12	M10	32	100	14	29.0	97
74600.W0531	Stainless Shaft - Ball	12	M10	32	125	14	29.0	120
74600.W0532	Stainless Shaft - Ball	12	M10	32	160	14	29.0	154
74600.W0535	Stainless Shaft - Ball	14	M12	35	125	16	32.5	159
74600.W0536	Stainless Shaft - Ball	14	M12	35	160	16	32.5	202
74600.W0537	Stainless Shaft - Ball	14	M12	35	200	16	32.5	250
74600.W0120	Steel Shaft - Taper	8	M 6	18	63	9	40.0	26
74600.W0122	Steel Shaft - Taper	8	M 6	18	100	9	40.0	42
74600.W0125	Steel Shaft - Taper	10	M 8	21	80	11	50.0	50
74600.W0126	Steel Shaft - Taper	10	M 8	21	100	11	50.0	62
74600.W0127	Steel Shaft - Taper	10	M 8	21	125	11	50.0	78
74600.W0130	Steel Shaft - Taper	12	M10	23	100	14	65.0	81
74600.W0131	Steel Shaft - Taper	12	M10	23	125	14	65.0	103
74600.W0132	Steel Shaft - Taper	12	M10	23	160	14	65.0	133
74600.W0135	Steel Shaft - Taper	14	M12	26	125	16	80.0	125



Order No.	Type	d ₁	d ₂	d ₃	l ₁	l ₂	l ₃	Weight g
74600.W0136	Steel Shaft - Taper	14	M12	26	160	16	80.0	168
74600.W0137	Steel Shaft - Taper	14	M12	26	200	16	80.0	216
74600.W0140	Steel Shaft - Taper	16	M14	28	160	18	90.0	214
74600.W0141	Steel Shaft - Taper	16	M14	28	200	18	90.0	273
74600.W0142	Steel Shaft - Taper	16	M14	28	250	18	90.0	352
74600.W0620	Stainless Shaft - Taper	8	M 6	18	63	9	40.0	27
74600.W0622	Stainless Shaft - Taper	8	M 6	18	80	9	40.0	33
74600.W0624	Stainless Shaft - Taper	8	M 6	18	100	9	40.0	41
74600.W0630	Stainless Shaft - Taper	10	M 8	21	80	11	50.0	50
74600.W0632	Stainless Shaft - Taper	10	M 8	21	100	11	50.0	62
74600.W0634	Stainless Shaft - Taper	10	M 8	21	125	11	50.0	78
74600.W0640	Stainless Shaft - Taper	12	M10	23	100	14	65.0	81
74600.W0642	Stainless Shaft - Taper	12	M10	23	125	14	65.0	103
74600.W0644	Stainless Shaft - Taper	12	M10	23	160	14	65.0	133
74600.W0650	Stainless Shaft - Taper	14	M12	26	125	16	80.0	125
74600.W0652	Stainless Shaft - Taper	14	M12	26	160	16	80.0	168
74600.W0654	Stainless Shaft - Taper	14	M12	26	200	16	80.0	216

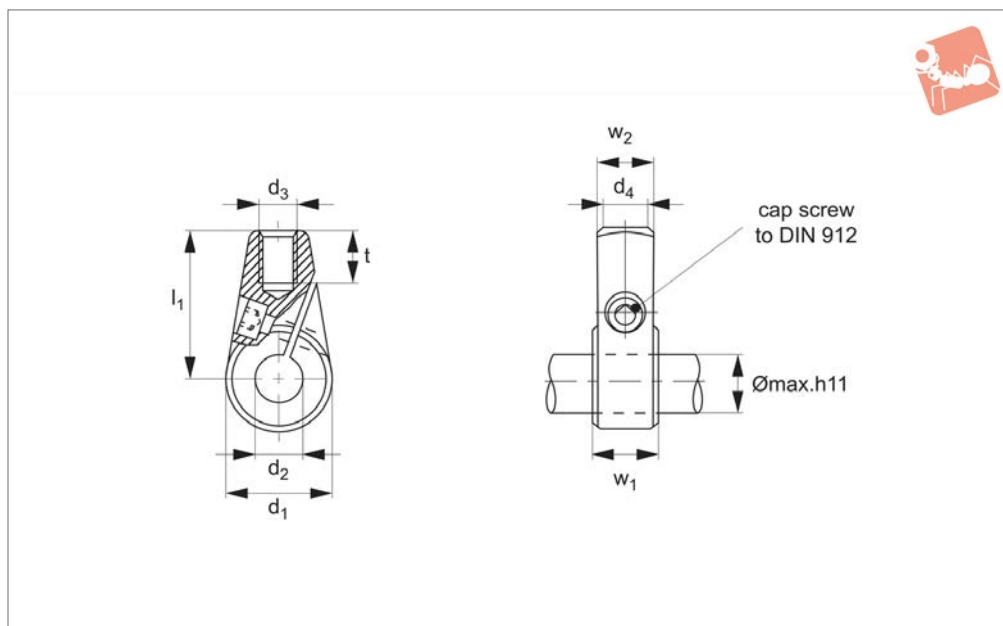


Split Hubs

for gear lever handles no.74600



Clamping Levers



74700

CLAMPING LEVERS

Material

Sintered steel.

machining. Eliminates clamping parts and assembly work.

Technical Notes

Ideal for mounting on shafts without prior

Order No.	d ₁	d ₂	Weight g	w ₁ ±0.2	w ₂	d ₃	d ₄	l ₁	t min.	Weight g
74700.W0024	24	10	64	15.5	13	M 8	10	36	11	64
74700.W0025	24	12	64	15.5	13	M 8	10	36	11	64
74700.W0029	28	14	94	17.5	15	M10	12	41	14	94
74700.W0033	32	16	137	19.5	17	M12	14	45	16	137