

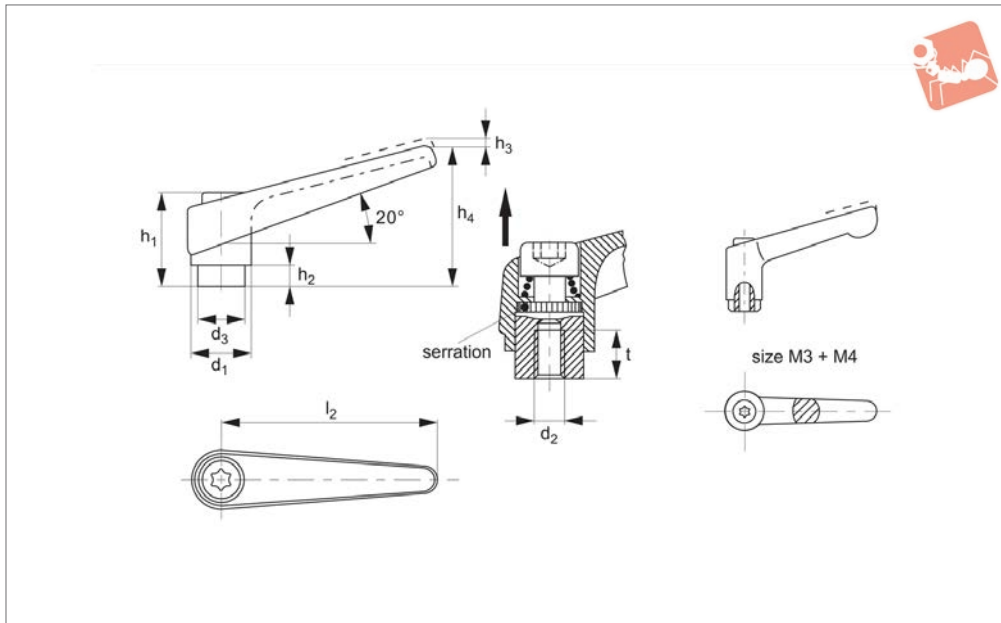


# Adjustable Clamping Levers

threaded bore, inner parts **stainless steel**



## Clamping Levers



**74440**

CLAMPING LEVERS

### Material

Handle: die-cast zinc,

- Orange RAL 2004

- Black RAL 9005

Inner parts: stainless steel 1,4305 (AISI 303).

Threaded part: stainless steel 1.4305.

(AISI 303).

### Technical Notes

By lifting the lever, the serrations are disengaged. The handle can be positioned by the serrations, and the threaded insert can be exchanged. Upon releasing the

handle, the serrations are automatically re-engaged. The collar screw is torx head.

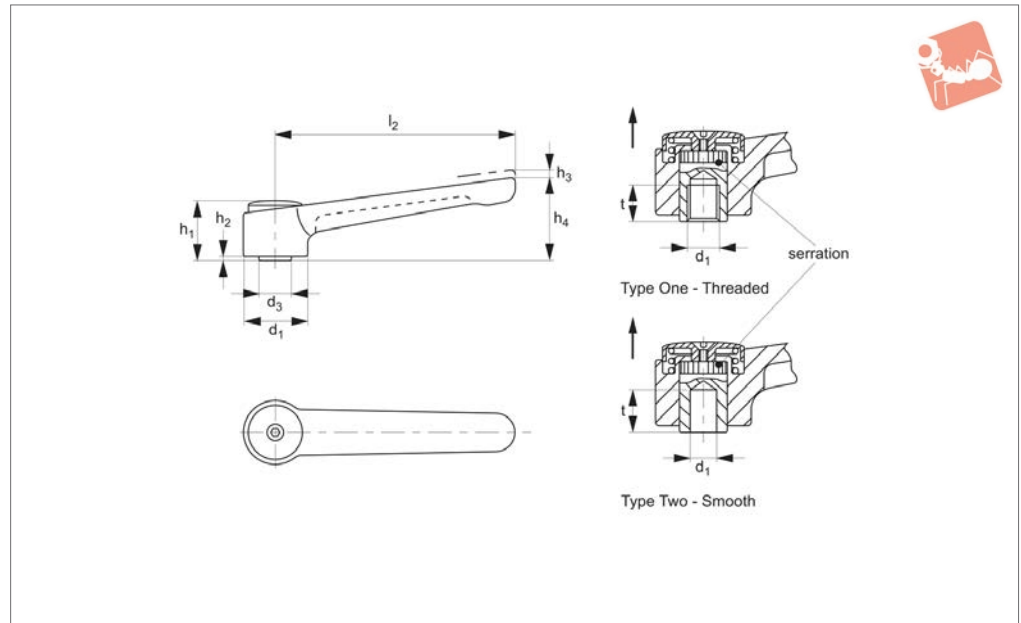
### Tips

Suitable for medical and chemical industry applications.

Order No.	Colour	d <sub>1</sub>	d <sub>2</sub>	d <sub>3</sub>	h <sub>1</sub>	h <sub>2</sub>	h <sub>3</sub>	h <sub>4</sub>	l <sub>2</sub>	t ≤	Weight g
74440.W0032	Orange	13	M 3	10.0	24.5	4.0	3.5	30.5	30	7	25
74440.W0036	Orange	13	M 4	10.0	24.5	4.0	3.5	30.5	30	9	25
74440.W0111	Orange	14	M 5	10.0	24.5	4.0	3.0	35.0	45	8	33
74440.W0121	Orange	14	M 6	10.0	24.5	4.0	3.0	35.0	45	8	33
74440.W0321	Orange	18	M 8	13.5	31.0	6.5	3.0	45.0	62	10	67
74440.W0411	Orange	22	M 8	16.0	36.0	8.0	3.5	52.0	74	14	112
74440.W0421	Orange	22	M10	16.0	36.0	8.0	3.5	52.0	74	14	109
74440.W0511	Orange	25	M10	19.0	43.0	11.0	4.0	63.0	89	17	175
74440.W0521	Orange	25	M12	19.0	43.0	11.0	4.0	63.0	89	17	171
74440.W0611	Orange	30	M12	23.0	50.5	12.0	5.0	76.0	108	22	286
74440.W0621	Orange	30	M16	23.0	50.5	12.0	5.0	76.0	108	22	269
74440.W0034	Black	13	M 3	10.0	24.5	4.0	3.5	30.5	30	7	25
74440.W0038	Black	13	M 4	10.0	24.5	4.0	3.5	30.5	30	9	25
74440.W0114	Black	14	M 5	10.0	24.5	4.0	3.0	35.0	45	8	33
74440.W0124	Black	14	M 6	10.0	24.5	4.0	3.0	35.0	45	8	33
74440.W0324	Black	18	M 8	13.5	31.0	6.5	3.0	45.0	62	10	67
74440.W0414	Black	22	M 8	16.0	36.0	8.0	3.5	52.0	74	14	112
74440.W0424	Black	22	M10	16.0	36.0	8.0	3.5	52.0	74	14	109
74440.W0514	Black	25	M10	19.0	43.0	11.0	4.0	63.0	89	17	175
74440.W0524	Black	25	M12	19.0	43.0	11.0	4.0	63.0	89	17	171
74440.W0614	Black	30	M12	23.0	50.5	12.0	5.0	76.0	108	22	286
74440.W0624	Black	30	M16	23.0	50.5	12.0	5.0	76.0	108	22	269



## 74492



### Material

Lever: Zinc die-cast, plastic coated, matt  
 Black - similar to RAL 9005  
 Silver - similar to RAL 9006  
 Inner: Stainless steel  
 Cover: Plastic.

### Technical Notes

By lifting up the lever, the serrations are disengaged and the handle can then be swung to any position. On releasing the serrations are automatically re-engaged.

Available with smooth bore.

### Tips

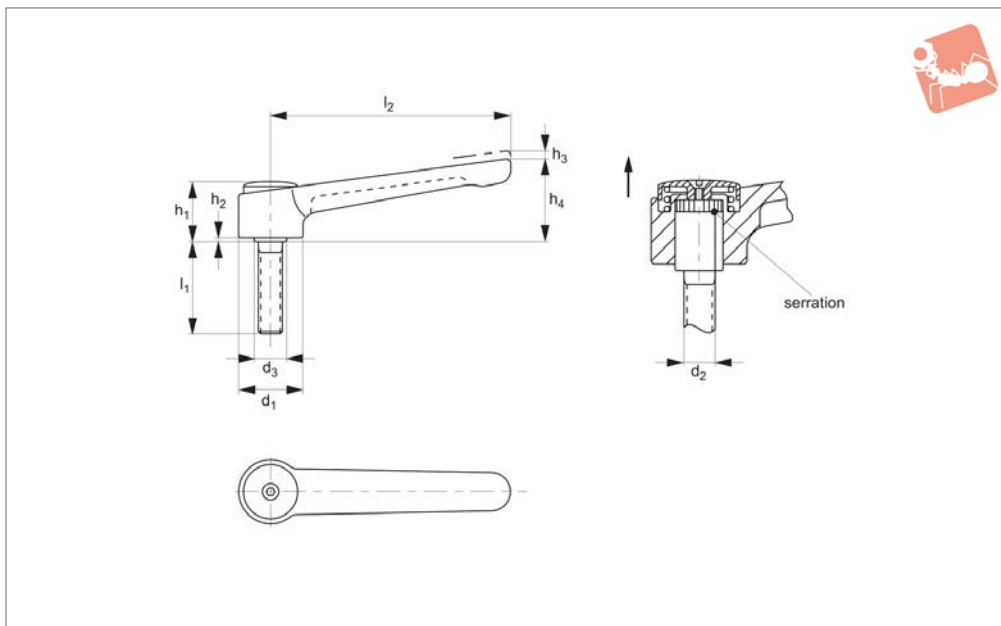
Suitable for use in restricted areas due to low height and adjustable lever.

Order No.	Type	d <sub>1</sub>	d <sub>2</sub> tol. H7	d <sub>2</sub>	d <sub>3</sub>	h <sub>1</sub>	h <sub>2</sub>	h <sub>3</sub>	h <sub>4</sub>	l <sub>2</sub>	t min.	Weight g
74492.W0205	One, Black	32	16	M 8	16	29.5	2	2.5	41.5	120	14	187
74492.W0210	One, Black	32	16	M10	16	29.5	2	2.5	41.5	120	14	187
74492.W0215	One, Black	32	16	M12	16	29.5	2	2.5	41.5	120	14	187
74492.W0220	One, Black	40	23	M12	23	42.0	4	4.0	56.0	145	22	390
74492.W0225	One, Black	40	23	M16	23	42.0	4	4.0	56.0	145	22	373
74492.W0305	One, Silver	32	16	M 8	16	29.5	2	2.5	41.5	120	14	187
74492.W0310	One, Silver	32	16	M10	16	29.5	2	2.5	41.5	120	14	187
74492.W0315	One, Silver	32	16	M12	16	29.5	2	2.5	41.5	120	14	187
74492.W0320	One, Silver	40	23	M12	23	42.0	4	4.0	56.0	145	22	390
74492.W0325	One, Silver	40	23	M16	23	42.0	4	4.0	56.0	145	22	373
74492.W0250	Two, Black	32	8	-	16	29.5	2	2.5	41.5	120	14	185
74492.W0255	Two, Black	32	10	-	16	29.5	2	2.5	41.5	120	14	187
74492.W0260	Two, Black	40	12	-	23	42.0	4	4.0	56.0	145	22	390
74492.W0265	Two, Black	40	16	-	23	42.0	4	4.0	56.0	145	22	367
74492.W0350	Two, Silver	32	8	-	16	29.5	2	2.5	41.5	120	14	185
74492.W0355	Two, Silver	32	10	-	16	29.5	2	2.5	41.5	120	14	187
74492.W0360	Two, Silver	40	12	-	23	42.0	4	4.0	56.0	145	22	390
74492.W0365	Two, Silver	40	16	-	23	42.0	4	4.0	56.0	145	22	367



# Adjustable Clamping Levers

cast zinc, inner parts stainless steel



**74496**

CLAMPING LEVERS

### Material

Lever: Zinc die-cast, plastic coated, matt  
 Black - similar to RAL 9005  
 Silver - similar to RAL 9006  
 Inner: Stainless steel 1.4305  
 Screw: Stainless steel 1.4305  
 Cover: Plastic.

### Technical Notes

By lifting up the lever, the serrations are disengaged and the handle can then be swung to any position. On releasing the serrations are automatically re-engaged.

Screw part can be changed.

### Tips

Suitable for use in restricted areas due to low height and adjustable lever.

Order No.	Colour	l <sub>1</sub>	d <sub>1</sub>	d <sub>2</sub>	d <sub>3</sub>	h <sub>1</sub>	h <sub>2</sub>	h <sub>3</sub>	h <sub>4</sub>	l <sub>2</sub>	Weight g
74496.W0650	Black	20	32	M10	16	29.5	2	2.5	41.5	120	202
74496.W0655	Black	25	32	M10	16	29.5	2	2.5	41.5	120	204
74496.W0660	Black	32	32	M10	16	29.5	2	2.5	41.5	120	207
74496.W0665	Black	40	32	M10	16	29.5	2	2.5	41.5	120	212
74496.W0670	Black	50	32	M10	16	29.5	2	2.5	41.5	120	217
74496.W0680	Black	80	32	M10	16	29.5	2	2.5	41.5	120	231
74496.W0685	Black	20	32	M12	16	29.5	2	2.5	41.5	120	206
74496.W0690	Black	25	32	M12	16	29.5	2	2.5	41.5	120	210
74496.W0695	Black	32	32	M12	16	29.5	2	2.5	41.5	120	215
74496.W0700	Black	40	32	M12	16	29.5	2	2.5	41.5	120	221
74496.W0705	Black	50	32	M12	16	29.5	2	2.5	41.5	120	228
74496.W0710	Black	63	32	M12	16	29.5	2	2.5	41.5	120	237
74496.W0715	Black	80	32	M12	16	29.5	2	2.5	41.5	120	249
74496.W0725	Black	32	40	M12	23	42.0	4	4.0	56.0	145	432
74496.W0730	Black	40	40	M12	23	42.0	4	4.0	56.0	145	440
74496.W0735	Black	50	40	M12	23	42.0	4	4.0	56.0	145	447
74496.W0740	Black	63	40	M12	23	42.0	4	4.0	56.0	145	455
74496.W0745	Black	80	40	M12	23	42.0	4	4.0	56.0	145	445
74496.W0750	Black	32	40	M16	23	42.0	4	4.0	56.0	145	449
74496.W0755	Black	40	40	M16	23	42.0	4	4.0	56.0	145	460
74496.W0760	Black	50	40	M16	23	42.0	4	4.0	56.0	145	472
74496.W0765	Black	63	40	M16	23	42.0	4	4.0	56.0	145	491
74496.W0770	Black	80	40	M16	23	42.0	4	4.0	56.0	145	513
74496.W1650	Silver	20	32	M10	16	29.5	2	2.5	41.5	120	202
74496.W1655	Silver	25	32	M10	16	29.5	2	2.5	41.5	120	204
74496.W1660	Silver	32	32	M10	16	29.5	2	2.5	41.5	120	207
74496.W1665	Silver	40	32	M10	16	29.5	2	2.5	41.5	120	212
74496.W1670	Silver	50	32	M10	16	29.5	2	2.5	41.5	120	217
74496.W1680	Silver	80	32	M10	16	29.5	2	2.5	41.5	120	231
74496.W1685	Silver	20	32	M12	16	29.5	2	2.5	41.5	120	206
74496.W1690	Silver	25	32	M12	16	29.5	2	2.5	41.5	120	210



Order No.	Colour	l <sub>1</sub>	d <sub>1</sub>	d <sub>2</sub>	d <sub>3</sub>	h <sub>1</sub>	h <sub>2</sub>	h <sub>3</sub>	h <sub>4</sub>	l <sub>2</sub>	Weight g
<b>74496.W1695</b>	Silver	32	32	M12	16	29.5	2	2.5	41.5	120	215
<b>74496.W1700</b>	Silver	40	32	M12	16	29.5	2	2.5	41.5	120	221
<b>74496.W1705</b>	Silver	50	32	M12	16	29.5	2	2.5	41.5	120	228
<b>74496.W1710</b>	Silver	63	32	M12	16	29.5	2	2.5	41.5	120	237
<b>74496.W1715</b>	Silver	80	32	M12	16	29.5	2	2.5	41.5	120	249
<b>74496.W1725</b>	Silver	32	40	M12	23	42.0	4	4.0	56.0	145	432
<b>74496.W1730</b>	Silver	40	40	M12	23	42.0	4	4.0	56.0	145	440
<b>74496.W1735</b>	Silver	50	40	M12	23	42.0	4	4.0	56.0	145	447
<b>74496.W1740</b>	Silver	63	40	M12	23	42.0	4	4.0	56.0	145	455
<b>74496.W1745</b>	Silver	80	40	M12	23	42.0	4	4.0	56.0	145	445
<b>74496.W1750</b>	Silver	32	40	M16	23	42.0	4	4.0	56.0	145	449
<b>74496.W1755</b>	Silver	40	40	M16	23	42.0	4	4.0	56.0	145	460
<b>74496.W1760</b>	Silver	50	40	M16	23	42.0	4	4.0	56.0	145	472
<b>74496.W1765</b>	Silver	63	40	M16	23	42.0	4	4.0	56.0	145	491
<b>74496.W1770</b>	Silver	80	40	M16	23	42.0	4	4.0	56.0	145	513

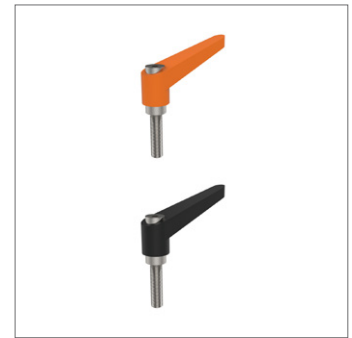
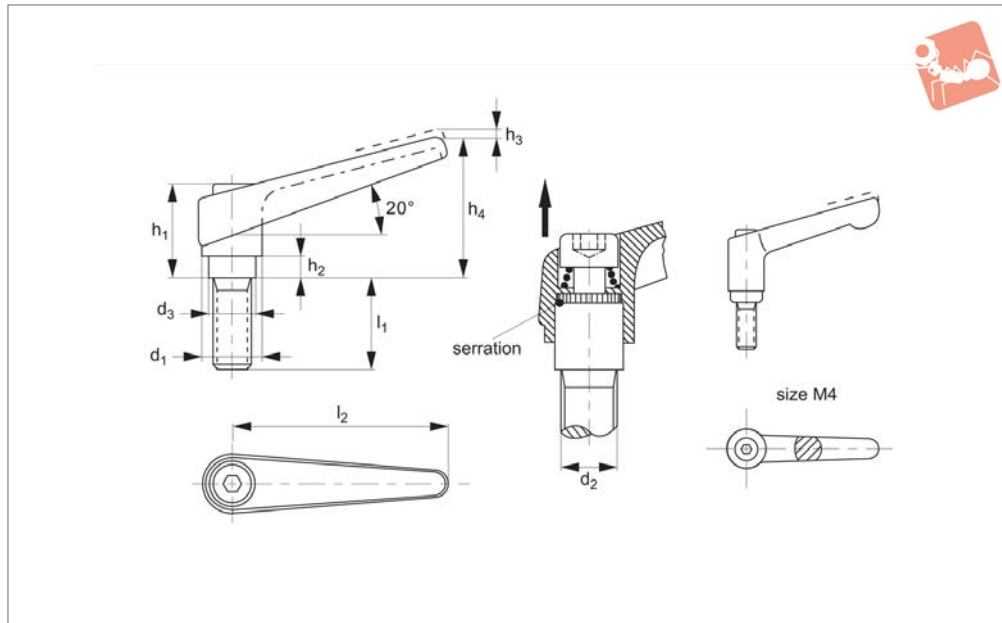


# Adjustable Clamping Levers

with grub screw, inner parts **stainless steel**



## Clamping Levers



**74460**

CLAMPING LEVERS

### Material

Handle: die-cast zinc,  
 - Orange RAL 2004  
 - Black RAL 9005.  
 Inner parts: stainless steel 1.4305 (AISI 303).  
 Screw: stainless steel 1.4305. (AISI 303).

### Technical Notes

By lifting the lever, the serrations are disengaged. The handle can be positioned by the serrations, and the threaded insert can be exchanged. Upon releasing the handle, the serrations are automatically re-engaged.

### Tips

Suitable for medical and chemical industry applications.

Order No.	Colour	$l_1$	$d_1$	$d_2$	$d_3$	$h_1$	$h_2$	$h_3$	$h_4$	$l_2$	Weight g
74460.W0010	Orange	12	13	M 4	10.0	24.5	4.0	3.5	30.5	30	27
74460.W0012	Black	12	13	M 4	10.0	24.5	4.0	3.5	30.5	30	27
74460.W0014	Orange	16	13	M 4	10.0	24.5	4.0	3.5	30.5	30	27
74460.W0016	Black	16	13	M 4	10.0	24.5	4.0	3.5	30.5	30	27
74460.W0018	Orange	20	13	M 4	10.0	24.5	4.0	3.5	30.5	30	27
74460.W0020	Black	20	13	M 4	10.0	24.5	4.0	3.5	30.5	30	27
74460.W0022	Orange	25	13	M 4	10.0	24.5	4.0	3.5	30.5	30	28
74460.W0024	Black	25	13	M 4	10.0	24.5	4.0	3.5	30.5	30	28
74460.W0026	Orange	32	13	M 4	10.0	24.5	4.0	3.5	30.5	30	28
74460.W0028	Black	32	13	M 4	10.0	24.5	4.0	3.5	30.5	30	28
74460.W0041	Orange	12	14	M 5	10.0	24.5	4.0	3.0	35.0	45	36
74460.W0044	Black	12	14	M 5	10.0	24.5	4.0	3.0	35.0	45	36
74460.W0051	Orange	16	14	M 5	10.0	24.5	4.0	3.0	35.0	45	36
74460.W0054	Black	16	14	M 5	10.0	24.5	4.0	3.0	35.0	45	36
74460.W0061	Orange	20	14	M 5	10.0	24.5	4.0	3.0	35.0	45	37
74460.W0064	Black	20	14	M 5	10.0	24.5	4.0	3.0	35.0	45	37
74460.W0071	Orange	25	14	M 5	10.0	24.5	4.0	3.0	35.0	45	38
74460.W0074	Black	25	14	M 5	10.0	24.5	4.0	3.0	35.0	45	38
74460.W0081	Orange	32	14	M 5	10.0	24.5	4.0	3.0	35.0	45	38
74460.W0084	Black	32	14	M 5	10.0	24.5	4.0	3.0	35.0	45	38
74460.W0086	Orange	40	14	M 5	10.0	24.5	4.0	3.0	35.0	45	39
74460.W0089	Black	40	14	M 5	10.0	24.5	4.0	3.0	35.0	45	39
74460.W0131	Orange	12	14	M 6	10.0	24.5	4.0	3.0	35.0	45	37
74460.W0134	Black	12	14	M 6	10.0	24.5	4.0	3.0	35.0	45	37
74460.W0141	Orange	16	14	M 6	10.0	24.5	4.0	3.0	35.0	45	37
74460.W0144	Black	16	14	M 6	10.0	24.5	4.0	3.0	35.0	45	37
74460.W0151	Orange	20	14	M 6	10.0	24.5	4.0	3.0	35.0	45	38
74460.W0154	Black	20	14	M 6	10.0	24.5	4.0	3.0	35.0	45	38
74460.W0161	Orange	25	14	M 6	10.0	24.5	4.0	3.0	35.0	45	39
74460.W0164	Black	25	14	M 6	10.0	24.5	4.0	3.0	35.0	45	39
74460.W0171	Orange	32	14	M 6	10.0	24.5	4.0	3.0	35.0	45	40



Order No.	Colour	l <sub>1</sub>	d <sub>1</sub>	d <sub>2</sub>	d <sub>3</sub>	h <sub>1</sub>	h <sub>2</sub>	h <sub>3</sub>	h <sub>4</sub>	l <sub>2</sub>	Weight g
74460.W0174	Black	32	14	M 6	10.0	24.5	4.0	3.0	35.0	45	40
74460.W0181	Orange	40	14	M 6	10.0	24.5	4.0	3.0	35.0	45	41
74460.W0184	Black	40	14	M 6	10.0	24.5	4.0	3.0	35.0	45	41
74460.W0191	Orange	50	14	M 6	10.0	24.5	4.0	3.0	35.0	45	43
74460.W0194	Black	50	14	M 6	10.0	24.5	4.0	3.0	35.0	45	43
74460.W0331	Orange	16	18	M 8	13.5	31.0	6.5	3.0	45.0	62	74
74460.W0334	Black	16	18	M 8	13.5	31.0	6.5	3.0	45.0	62	74
74460.W0341	Orange	20	18	M 8	13.5	31.0	6.5	3.0	45.0	62	76
74460.W0344	Black	20	18	M 8	13.5	31.0	6.5	3.0	45.0	62	76
74460.W0351	Orange	25	18	M 8	13.5	31.0	6.5	3.0	45.0	62	77
74460.W0354	Black	25	18	M 8	13.5	31.0	6.5	3.0	45.0	62	77
74460.W0361	Orange	32	18	M 8	13.5	31.0	6.5	3.0	45.0	62	79
74460.W0364	Black	32	18	M 8	13.5	31.0	6.5	3.0	45.0	62	79
74460.W0371	Orange	40	18	M 8	13.5	31.0	6.5	3.0	45.0	62	81
74460.W0374	Black	40	18	M 8	13.5	31.0	6.5	3.0	45.0	62	81
74460.W0381	Orange	50	18	M 8	13.5	31.0	6.5	3.0	45.0	62	84
74460.W0384	Black	50	18	M 8	13.5	31.0	6.5	3.0	45.0	62	84
74460.W0391	Orange	63	18	M 8	13.5	31.0	6.5	3.0	45.0	62	89
74460.W0394	Black	63	18	M 8	13.5	31.0	6.5	3.0	45.0	62	89
74460.W0441	Orange	20	22	M10	16.0	36.0	8.0	3.5	52.0	74	128
74460.W0444	Black	20	22	M10	16.0	36.0	8.0	3.5	52.0	74	128
74460.W0451	Orange	25	22	M10	16.0	36.0	8.0	3.5	52.0	74	130
74460.W0454	Black	25	22	M10	16.0	36.0	8.0	3.5	52.0	74	130
74460.W0461	Orange	32	22	M10	16.0	36.0	8.0	3.5	52.0	74	134
74460.W0464	Black	32	22	M10	16.0	36.0	8.0	3.5	52.0	74	134
74460.W0471	Orange	40	22	M10	16.0	36.0	8.0	3.5	52.0	74	138
74460.W0474	Black	40	22	M10	16.0	36.0	8.0	3.5	52.0	74	138
74460.W0481	Orange	50	22	M10	16.0	36.0	8.0	3.5	52.0	74	143
74460.W0484	Black	50	22	M10	16.0	36.0	8.0	3.5	52.0	74	143
74460.W0486	Orange	63	22	M10	16.0	36.0	8.0	3.5	52.0	74	148
74460.W0489	Black	63	22	M10	16.0	36.0	8.0	3.5	52.0	74	148
74460.W0491	Orange	80	22	M10	16.0	36.0	8.0	3.5	52.0	74	157
74460.W0494	Black	80	22	M10	16.0	36.0	8.0	3.5	52.0	74	157
74460.W0541	Orange	25	25	M12	19.0	43.0	11.0	4.0	63.0	89	205
74460.W0544	Black	25	25	M12	19.0	43.0	11.0	4.0	63.0	89	205
74460.W0551	Orange	32	25	M12	19.0	43.0	11.0	4.0	63.0	89	209
74460.W0554	Black	32	25	M12	19.0	43.0	11.0	4.0	63.0	89	209
74460.W0561	Orange	40	25	M12	19.0	43.0	11.0	4.0	63.0	89	215
74460.W0564	Black	40	25	M12	19.0	43.0	11.0	4.0	63.0	89	215
74460.W0571	Orange	50	25	M12	19.0	43.0	11.0	4.0	63.0	89	222
74460.W0574	Black	50	25	M12	19.0	43.0	11.0	4.0	63.0	89	222
74460.W0581	Orange	63	25	M12	19.0	43.0	11.0	4.0	63.0	89	232
74460.W0584	Black	63	25	M12	19.0	43.0	11.0	4.0	63.0	89	232
74460.W0591	Orange	80	25	M12	19.0	43.0	11.0	4.0	63.0	89	244
74460.W0594	Black	80	25	M12	19.0	43.0	11.0	4.0	63.0	89	244
74460.W0641	Orange	32	30	M16	23.0	50.5	12.0	5.0	76.0	108	348
74460.W0644	Black	32	30	M16	23.0	50.5	12.0	5.0	76.0	108	348
74460.W0651	Orange	40	30	M16	23.0	50.5	12.0	5.0	76.0	108	357
74460.W0654	Black	40	30	M16	23.0	50.5	12.0	5.0	76.0	108	357
74460.W0661	Orange	50	30	M16	23.0	50.5	12.0	5.0	76.0	108	370
74460.W0664	Black	50	30	M16	23.0	50.5	12.0	5.0	76.0	108	370
74460.W0671	Orange	63	30	M16	23.0	50.5	12.0	5.0	76.0	108	386
74460.W0674	Black	63	30	M16	23.0	50.5	12.0	5.0	76.0	108	386
74460.W0681	Orange	80	30	M16	23.0	50.5	12.0	5.0	76.0	108	407
74460.W0684	Black	80	30	M16	23.0	50.5	12.0	5.0	76.0	108	407

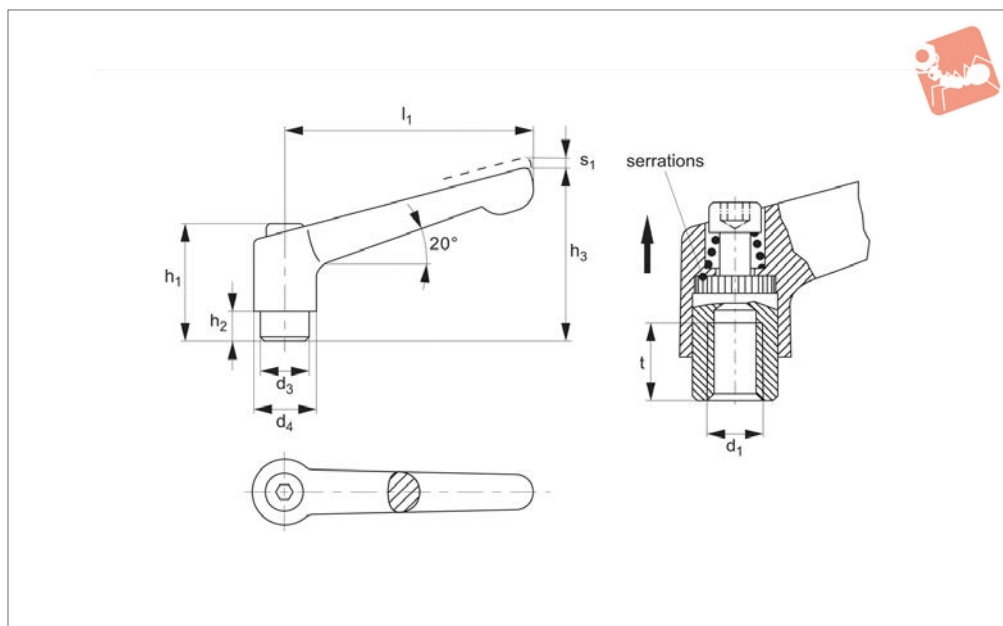




# Adjustable Clamping Lever

threaded bore - stainless

## Clamping Levers



**74380**

CLAMPING LEVERS

### Material

Stainless steel, 1.4308 (AISI CF-8). Matte blasted.

Inner parts: stainless, 1.4305.

Screw & spring: stainless, 1.4300.

disengaged. The handle can be positioned by the serrations, and the threaded insert can be exchanged. Upon releasing the handle, the serrations are automatically re-engaged.

ronments, such as food processing, chemical industries etc.

### Technical Notes

By lifting the lever, the serrations are

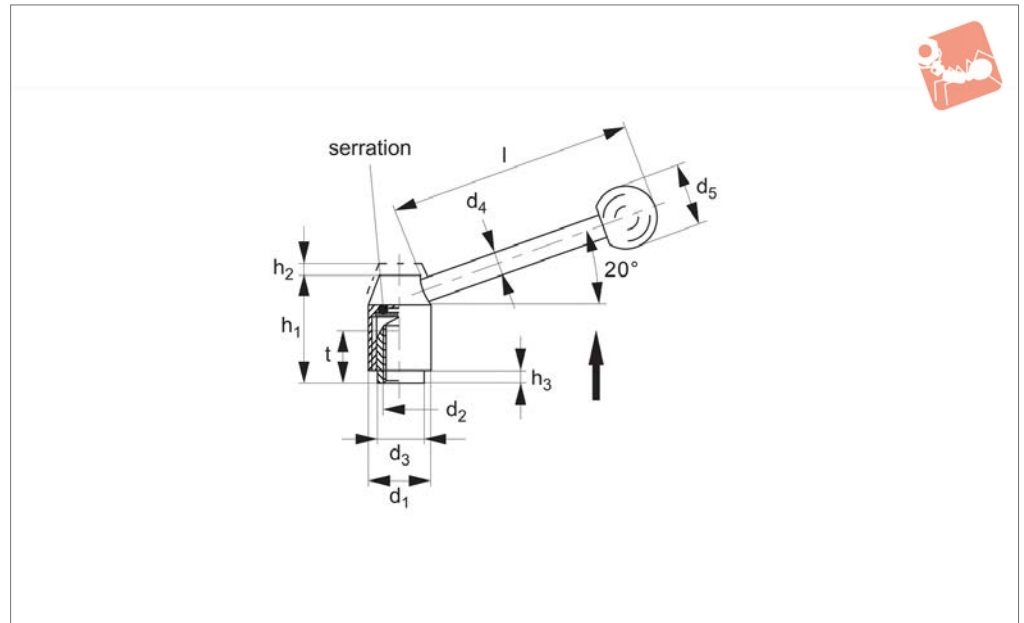
### Tips

Ideal for applications with aggressive envi-

Order No.	$l_1$	$d_1$	$d_3$	$d_4$	$h_1$	$h_2$	$h_3$	$t$ min.	Stroke $s_1$	Weight g
<b>74380.W0111</b>	45	M 5	10.0	13.0	24.5	4.0	35	9	3.5	37
<b>74380.W0121</b>	45	M 6	10.0	13.0	24.5	4.0	35	9	3.5	30
<b>74380.W0311</b>	63	M 6	13.5	17.5	31.0	6.5	45	11	4.0	80
<b>74380.W0321</b>	63	M 8	13.5	17.5	31.0	6.5	45	11	4.0	50
<b>74380.W0411</b>	78	M 8	16.0	21.0	36.0	8.0	55	14	4.0	140
<b>74380.W0421</b>	78	M10	16.0	21.0	36.0	8.0	55	14	4.0	140



**74520**



CLAMPING LEVERS

### Material

Stainless steel no. 1.4305 (AISI 303), matt shot-blasted. Ball knob DIN 319, plastic black.

### Technical Notes

Ideal whenever parts have to be clamped in

a confined space or a particular lever position is required. Pulling the lever, disengages the serrations allowing it to be swivelled to the ideal clamping position. On releasing the lever it will automatically re-engage.

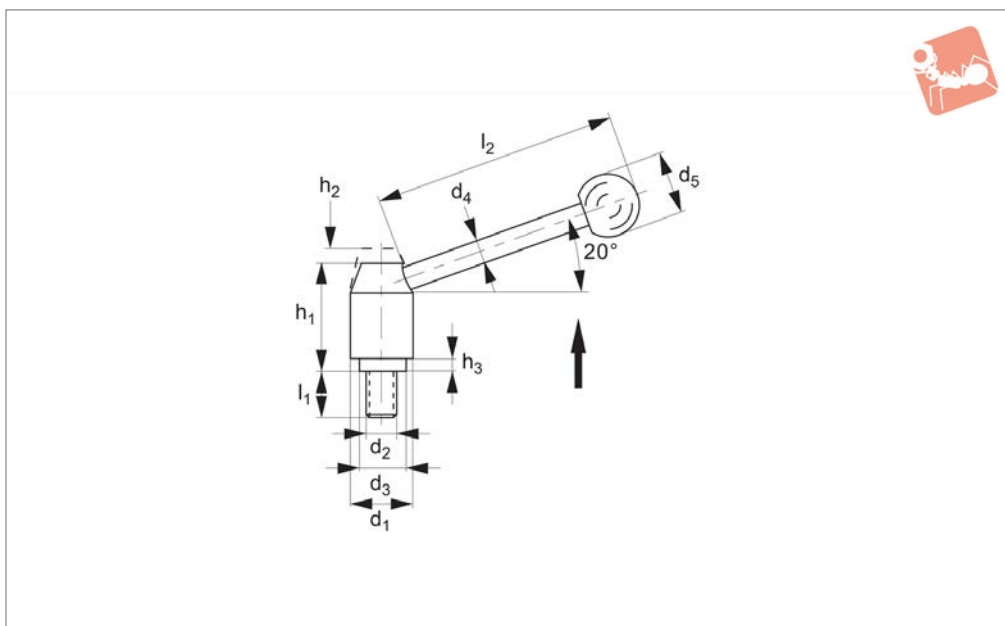
Order No.	d <sub>1</sub>	d <sub>2</sub>	d <sub>3</sub>	d <sub>4</sub>	d <sub>5</sub>	h <sub>1</sub>	h <sub>2</sub>	h <sub>3</sub>	l	t min.	Weight g
74520.W0006	21	M 6	13.5	8	20	33.5	4.0	1.0	70	11	91
74520.W0007	21	M 8	13.5	8	20	33.5	4.0	1.0	70	11	89
74520.W0008	24	M 8	16.0	10	25	40.0	4.5	2.5	96	14	159
74520.W0009	24	M10	16.0	10	25	40.0	4.5	2.5	96	14	153
74520.W0010	28	M10	19.0	12	30	48.5	4.5	4.5	110	17	255
74520.W0012	28	M12	19.0	12	30	48.5	4.5	4.5	110	17	248





# Adjustable Clamping Lever

stainless steel - grub screw



**74530**

CLAMPING LEVERS

### Material

Stainless steel no. 1.4305 (AISI 303), matt shot-blasted. Ball knob DIN 319, plastic black.

### Technical Notes

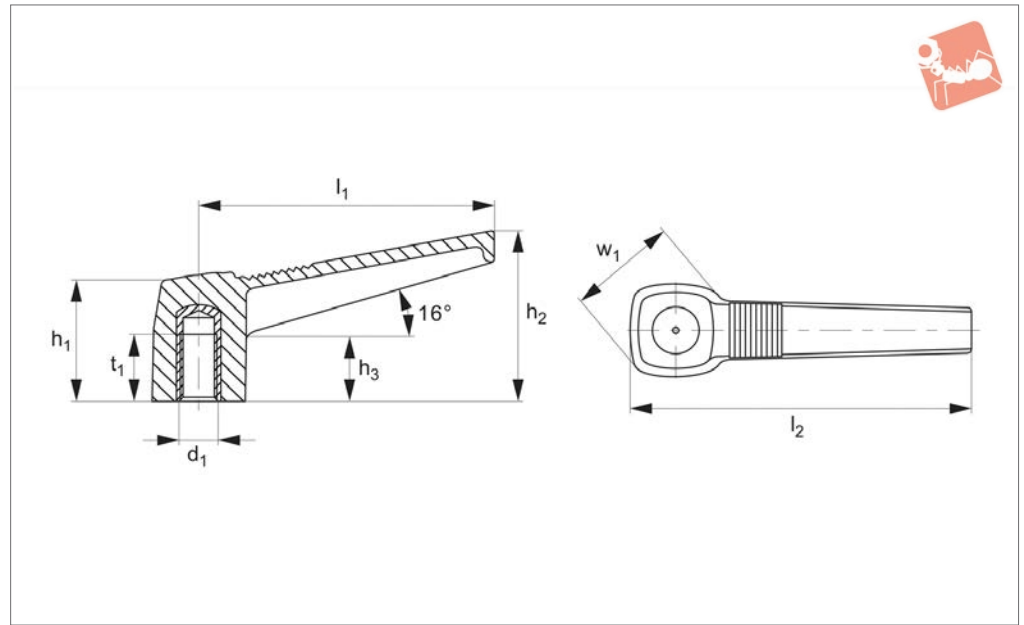
Ideal whenever parts have to be clamped in

a confined space or a particular lever position is required. Pulling the lever, disengages the serrations allowing it to be swivelled to the ideal clamping position. On releasing the lever it will automatically re-engage.

Order No.	$l_1$	$d_1$	$d_2$	$d_3$	$d_4$	$d_5$	$h_1$	$h_2$ stroke	$h_3$	$l_2 \approx$	Weight g
74530.W0080	16	21	M 8	13.5	8	20	33.5	4.0	1.0	70	99
74530.W0081	20	21	M 8	13.5	8	20	33.5	4.0	1.0	70	103
74530.W0082	25	21	M 8	13.5	8	20	33.5	4.0	1.0	70	102
74530.W0083	32	21	M 8	13.5	8	20	33.5	4.0	1.0	70	105
74530.W0084	40	21	M 8	13.5	8	20	33.5	4.0	1.0	70	112
74530.W0085	50	21	M 8	13.5	8	20	33.5	4.0	1.0	70	109
74530.W0086	63	21	M 8	13.5	8	20	33.5	4.0	1.0	70	114
74530.W0100	20	24	M10	16.0	10	25	40.0	4.5	2.5	96	173
74530.W0101	25	24	M10	16.0	10	25	40.0	4.5	2.5	96	174
74530.W0102	32	24	M10	16.0	10	25	40.0	4.5	2.5	96	177
74530.W0103	40	24	M10	16.0	10	25	40.0	4.5	2.5	96	184
74530.W0104	50	24	M10	16.0	10	25	40.0	4.5	2.5	96	185
74530.W0105	63	24	M10	16.0	10	25	40.0	4.5	2.5	96	195
74530.W0106	80	24	M10	16.0	10	25	40.0	4.5	2.5	96	205
74530.W0120	25	28	M12	19.0	12	30	48.5	4.5	4.5	110	283
74530.W0121	32	28	M12	19.0	12	30	48.5	4.5	4.5	110	287
74530.W0122	40	28	M12	19.0	12	30	48.5	4.5	4.5	110	298
74530.W0123	50	28	M12	19.0	12	30	48.5	4.5	4.5	110	302
74530.W0124	63	28	M12	19.0	12	30	48.5	4.5	4.5	110	312
74530.W0125	80	28	M12	19.0	12	30	48.5	4.5	4.5	110	320



**74960**



**Material**

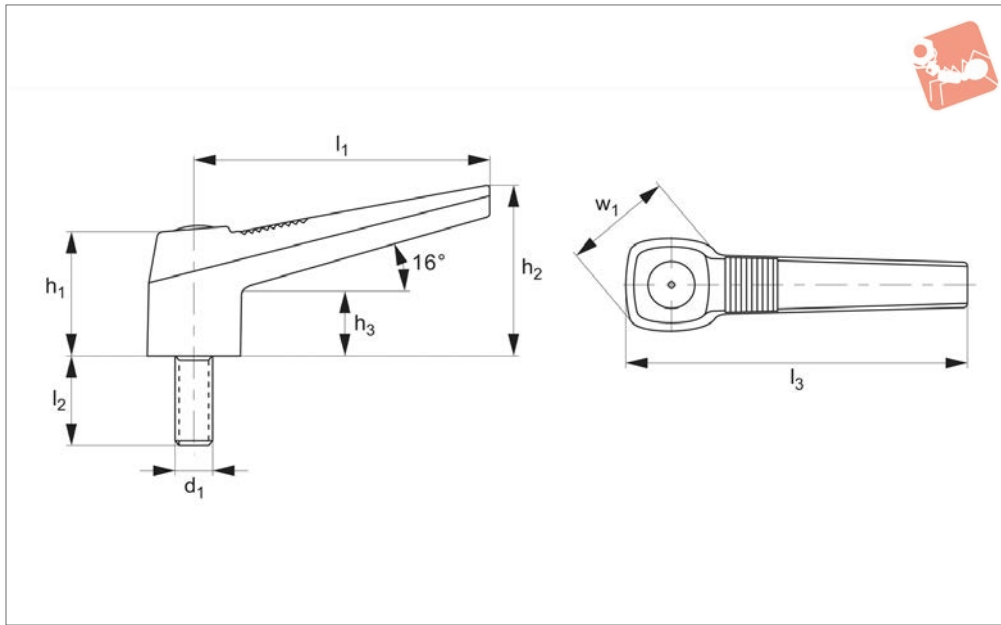
Matt black, thermoplastic, glass fibre reinforced. Brass insert.

**Technical Notes**

Special size and colours available on request, subject to minimum order quantity.

tity.

Order No.	$l_1$	$d_1$	$h_1$	$h_2$	$h_3$	$l_2$	$t_1$	$w_1$	Weight g
74960.W0041	42	M 5	20	25	11	50	9	19	8
74960.W0042	42	M 6	20	25	11	50	9	19	8
74960.W0063	63	M 6	26	35	14	73	13	25	20
74960.W0064	63	M 8	26	35	14	73	13	25	20
74960.W0080	80	M 8	33	45	17	92	15	30	37
74960.W0081	80	M10	33	45	17	92	16	30	38
74960.W0082	80	M12	39	45	17	92	18	30	33
74960.W0100	100	M12	39	55	18	115	18	36	68
74960.W0101	100	M14	39	55	18	36	20	115	72
74960.W0102	100	M16	39	55	18	115	20	36	76



74970

CLAMPING LEVERS

**Material**

Thermoplastic, black, matt, glass fibre reinforced. Zinc plated steel stud.

**Technical Notes**

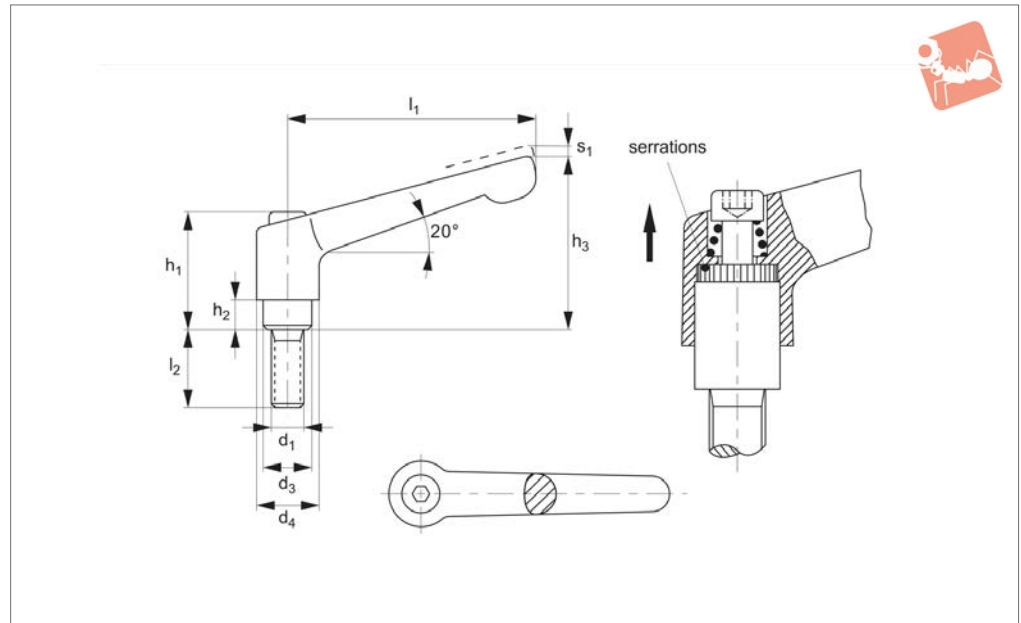
Special size and colours available on request, subject to minimum order quantity.

tity.

Order No.	$l_1$	$d_1$	$h_1$	$h_2$	$h_3$	$l_2$	$l_3$	$w_1$	Weight g
74970.W0041	42	M 6	20	25	11	15	50	19	11
74970.W0042	42	M 6	20	25	11	20	50	19	12
74970.W0063	63	M 8	26	35	14	25	73	25	30
74970.W0080	80	M 8	33	45	17	20	92	30	52
74970.W0081	80	M10	33	45	17	30	92	30	57
74970.W0100	100	M12	39	55	18	50	115	36	121



## 74390



### Material

Stainless steel, 1.4308 (AISI CF-8). Matte blasted.

Inner parts: stainless, 1.4305.

Screw & spring: stainless, 1.4300.

disengaged. The handle can be positioned by the serrations, and the threaded insert can be exchanged. Upon releasing the handle, the serrations are automatically re-engaged.

ronments, such as food processing, chemical industries etc.

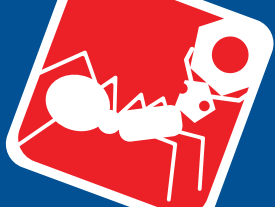
### Technical Notes

By lifting the lever, the serrations are

### Tips

Ideal for applications with aggressive envi-

Order No.	$l_1$	$d_1$	$d_3$	$d_4$	$h_1$	$h_2$	$h_3$	$l_2$	Stroke $s_1$
74390.W0041	45	M 5	10.0	13.0	24.5	4.0	35	12	3.5
74390.W0051	45	M 5	10.0	13.0	24.5	4.0	35	16	3.5
74390.W0061	45	M 5	10.0	13.0	24.5	4.0	35	20	3.5
74390.W0071	45	M 5	10.0	13.0	24.5	4.0	35	25	3.5
74390.W0081	45	M 5	10.0	13.0	24.5	4.0	35	32	3.5
74390.W0091	45	M 5	10.0	13.0	24.5	4.0	35	40	3.5
74390.W0099	45	M 5	10.0	13.0	24.5	4.0	35	50	3.5
74390.W0141	45	M 6	10.0	13.0	24.5	4.0	35	12	3.5
74390.W0151	45	M 6	10.0	13.0	24.5	4.0	35	16	3.5
74390.W0161	45	M 6	10.0	13.0	24.5	4.0	35	20	3.5
74390.W0171	45	M 6	10.0	13.0	24.5	4.0	35	25	3.5
74390.W0181	45	M 6	10.0	13.0	24.5	4.0	35	32	3.5
74390.W0191	45	M 6	10.0	13.0	24.5	4.0	35	40	3.5
74390.W0199	45	M 6	10.0	13.0	24.5	4.0	35	50	3.5
74390.W0221	63	M 6	13.5	17.5	31.0	6.5	45	16	4.0
74390.W0231	63	M 6	13.5	17.5	31.0	6.5	45	20	4.0
74390.W0241	63	M 6	13.5	17.5	31.0	6.5	45	25	4.0
74390.W0251	63	M 6	13.5	17.5	31.0	6.5	45	32	4.0
74390.W0261	63	M 6	13.5	17.5	31.0	6.5	45	40	4.0
74390.W0271	63	M 6	13.5	17.5	31.0	6.5	45	50	4.0
74390.W0281	63	M 6	13.5	17.5	31.0	6.5	45	63	4.0
74390.W0331	63	M 8	13.5	17.5	31.0	6.5	45	16	4.0
74390.W0341	63	M 8	13.5	17.5	31.0	6.5	45	20	4.0
74390.W0351	63	M 8	13.5	17.5	31.0	6.5	45	25	4.0
74390.W0361	63	M 8	13.5	17.5	31.0	6.5	45	32	4.0
74390.W0371	63	M 8	13.5	17.5	31.0	6.5	45	40	4.0
74390.W0381	63	M 8	13.5	17.5	31.0	6.5	45	50	4.0
74390.W0391	63	M 8	13.5	17.5	31.0	6.5	45	63	4.0
74390.W0441	78	M 8	16.0	21.0	36.0	8.0	55	20	4.0
74390.W0451	78	M 8	16.0	21.0	36.0	8.0	55	25	4.0
74390.W0461	78	M 8	16.0	21.0	36.0	8.0	55	32	4.0



# Adjustable Clamping Levers

with grub screw - stainless



Order No.	$l_1$	$d_1$	$d_3$	$d_4$	$h_1$	$h_2$	$h_3$	$l_2$	Stroke $s_1$
74390.W0471	78	M 8	16.0	21.0	36.0	8.0	55	40	4.0
74390.W0481	78	M 8	16.0	21.0	36.0	8.0	55	50	4.0
74390.W0491	78	M 8	16.0	21.0	36.0	8.0	55	63	4.0
74390.W0499	78	M 8	16.0	21.0	36.0	8.0	55	80	4.0
74390.W0541	78	M10	16.0	21.0	36.0	8.0	55	20	4.0
74390.W0551	78	M10	16.0	21.0	36.0	8.0	55	25	4.0
74390.W0561	78	M10	16.0	21.0	36.0	8.0	55	32	4.0
74390.W0571	78	M10	16.0	21.0	36.0	8.0	55	40	4.0
74390.W0581	78	M10	16.0	21.0	36.0	8.0	55	50	4.0
74390.W0591	78	M10	16.0	21.0	36.0	8.0	55	63	4.0
74390.W0599	78	M10	16.0	21.0	36.0	8.0	55	80	4.0

CLAMPING LEVERS