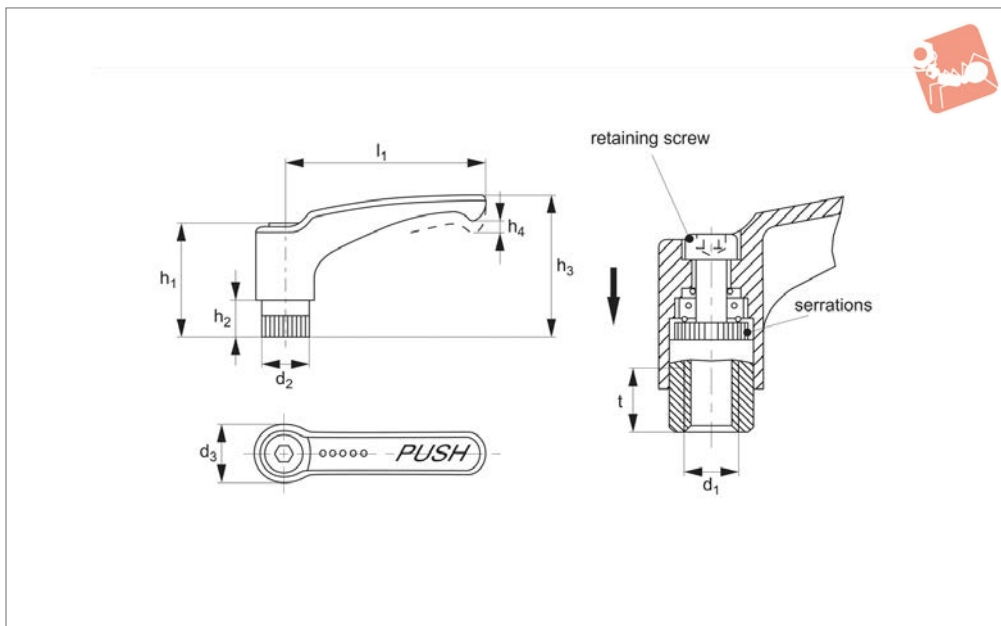




Free Running Safety Clamping Lever, free-running when not engaged

Clamping Levers



74860

CLAMPING LEVERS

Material

Plastic technopolymer (polyamide PA) glass fibre reinforced, black.
Inner parts: steel, blackened embedded in black plastic.

Tips

Unique Safety Handle.

When not in use, the lever is not engaged with threaded insert, i.e. the adjustable lever turns freely.

As soon as the lever hub is pushed down, both serrations will engage, allowing the fixture to be released or clamped.

After „releasing“, the lever disengages

through spring tension.

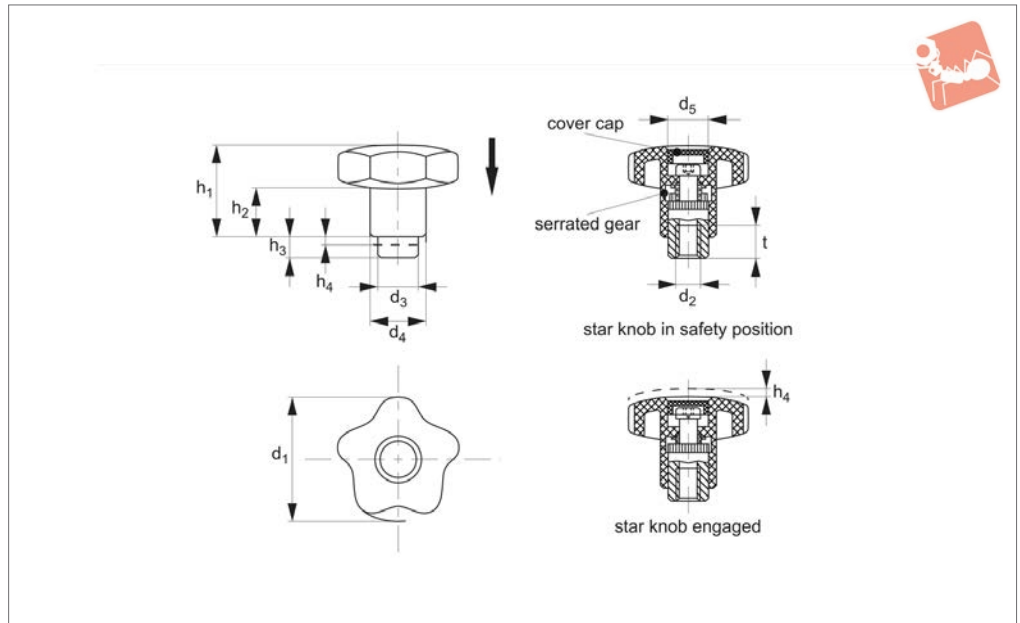
Important Notes

Used where accidental loosening or readjustment can result in accidents.
Temperature resistant to +130°C.

Order No.	l_1	d_1	d_2	d_3	h_1	h_2	h_3	h_4 stroke	t min.	Weight g
74860.W0041	44	M 4	12	15.5	29	9	36	3.5	10	14
74860.W0042	44	M 5	12	15.5	29	9	36	3.5	10	13
74860.W0043	44	M 6	12	15.5	29	9	36	3.5	10	12
74860.W0061	63	M 6	15	19.0	37	12	48	4.0	13	25
74860.W0062	63	M 8	15	19.0	37	12	48	4.0	13	24



70300



Material

Plastic technopolymer (Polyamide PA)
 glass fibre reinforced, black.
 Thread bush, steel.
 Inner parts: zinc die cast.

dental loosening or adjusting of the knob
 may lead to accidents.
 Temperature resistant to +130°C.

**pushing of the star knob, the two
 serrations get engaged so that the knob
 can be loosened/ tightened. After relea-
 sing, the two serrations are disengaged
 by a spring.**

Technical Notes

Suitable for applications where an acci-

Tips

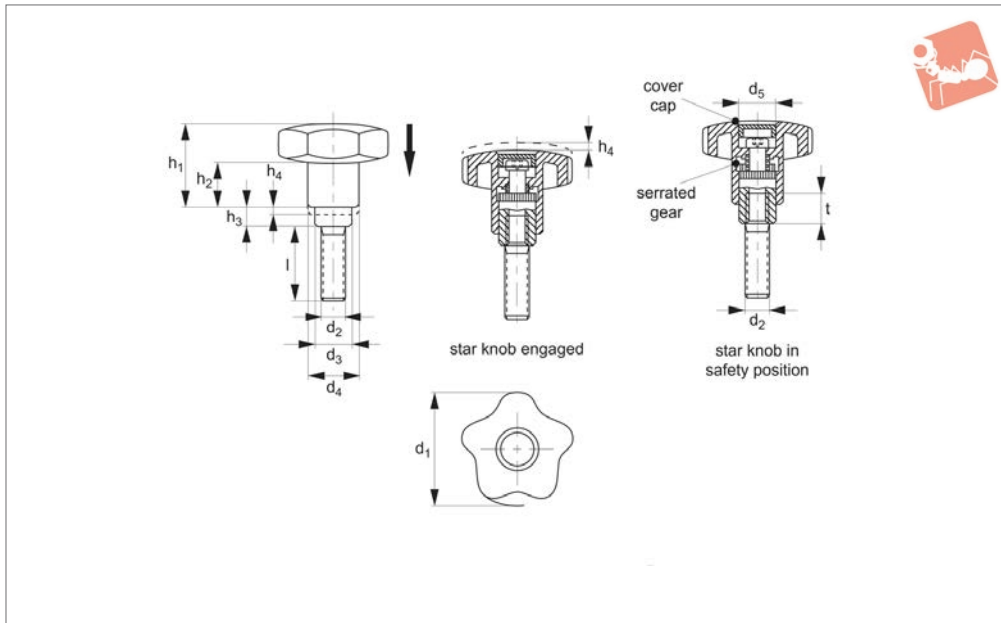
**Unique safety handle:
 When not in use, star knob is not
 engaged with the threaded insert, i.e.
 the knob is free-running. Only after axial**

Order No.	d_1	d_2	d_3	d_4	d_5	h_1	h_2	h_3	h_4 stroke	t min.
70300.W0061	40	M 6	13.5	18	13.5	30	14	7	2.5	11
70300.W0081	40	M 8	13.5	18	13.5	30	14	7	2.5	11
70300.W0082	50	M 8	16.0	22	16.5	34	15	8	3.5	14
70300.W0101	50	M10	16.0	22	16.5	34	15	8	3.5	14



Free Running Safety Star Grip, with free-running when not engaged

Clamping Levers



70310

CLAMPING LEVERS

Material

Plastic technopolymer (Polyamide PA)
glass fibre reinforced, black.
Thread bush, steel.
Inner parts: zinc die cast.

dental loosening or adjusting of the knob
may lead to accidents.
Temperature resistant to +130°C.

**pushing of the star knob, the two
serrations get engaged so that the knob
can be loosened/ tightened. After relea-
sing, the two serrations are disengaged
by a spring.**

Tips

**Unique safety handle.
When not in use, star knob is not
engaged with the threaded insert, i.e.
the knob is free-running. Only after axial**

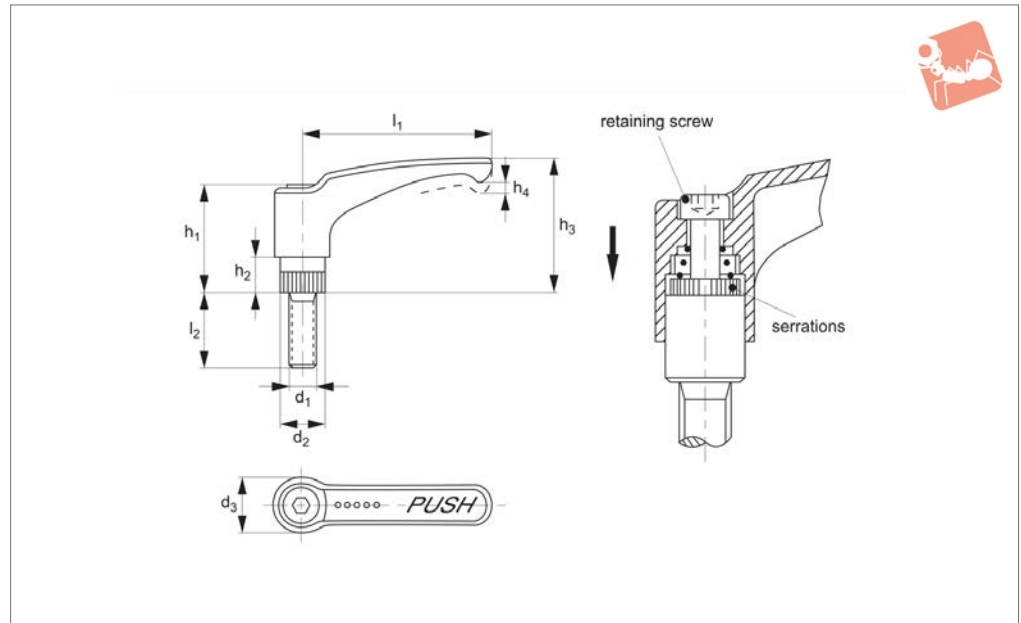
Technical Notes

Suitable for applications where an acci-

Order No.	d ₁	d ₂	l	d ₃	d ₄	d ₅	h ₁	h ₂	h ₃	h ₄ stroke
70310.W0061	40	M 6	20	13.5	18	13.5	30	14	7	2.5
70310.W0062	40	M 6	25	13.5	18	13.5	30	14	7	2.5
70310.W0063	40	M 6	32	13.5	18	13.5	30	14	7	2.5
70310.W0064	40	M 6	40	13.5	18	13.5	30	14	7	2.5
70310.W0081	40	M 8	20	13.5	18	13.5	30	14	7	2.5
70310.W0082	40	M 8	25	13.5	18	13.5	30	14	7	2.5
70310.W0083	40	M 8	32	13.5	18	13.5	30	14	7	2.5
70310.W0084	40	M 8	40	13.5	18	13.5	30	14	7	2.5
70310.W0085	50	M 8	25	16.0	22	16.5	34	15	8	3.5
70310.W0086	50	M 8	32	16.0	22	16.5	34	15	8	3.5
70310.W0087	50	M 8	40	16.0	22	16.5	34	15	8	3.5
70310.W0088	50	M 8	50	16.0	22	16.5	34	15	8	3.5
70310.W0101	50	M10	25	16.0	22	16.5	34	15	8	3.5
70310.W0102	50	M10	32	16.0	22	16.5	34	15	8	3.5
70310.W0103	50	M10	40	16.0	22	16.5	34	15	8	3.5
70310.W0104	50	M10	50	16.0	22	16.5	34	15	8	3.5



74880



Material

Plastic technopolymer (polyamide PA) glass fibre reinforced, black.
Inner parts: steel, blackened embedded in black plastic.

Tips

Unique Safety Handle.

When not in use, the lever is not engaged with threaded insert, i.e. the adjustable lever turns freely.

As soon as the lever hub is pushed down, both serrations will engage, allowing the fixture to be released or clamped.

After „releasing“, the lever disengages

through spring tension.

Important Notes

Used where accidental loosening or readjustment can result in accidents.
Temperature resistant to +130°C.

Order No.	l_1	d_1	d_2	d_3	h_1	h_2	h_3	h_4 stroke	l_2	Weight g
74880.W0061	44	M 6	12	15.5	29	9	36	3.5	16	18
74880.W0062	44	M 6	12	15.5	29	9	36	3.5	25	21
74880.W0081	63	M 8	15	19.0	37	12	48	4.0	20	38
74880.W0082	63	M 8	15	19.0	37	12	48	4.0	30	43