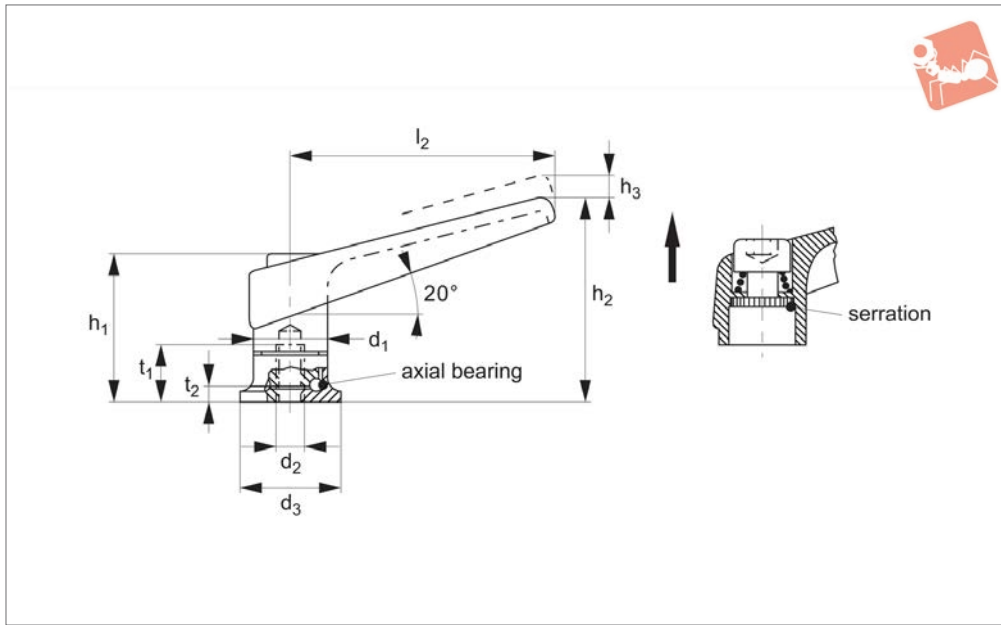




Adjustable Clamping Levers with axial bearing - threaded bore

Clamping Levers



74470

CLAMPING LEVERS

Material

Lever: die-cast zinc.
Orange RAL 2004,
Black RAL 9005.
Inner parts: heat-treated steel, nitrided,
black.
Threaded part: steel, nitrided, blackened.

Technical Notes

By lifting the lever, the serrations are

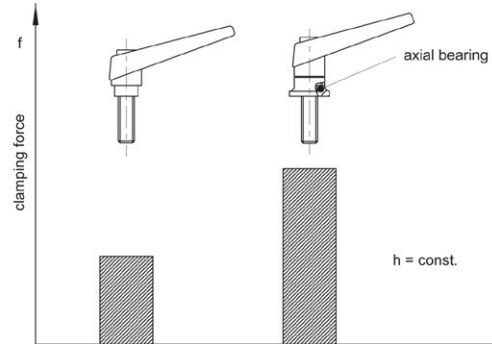
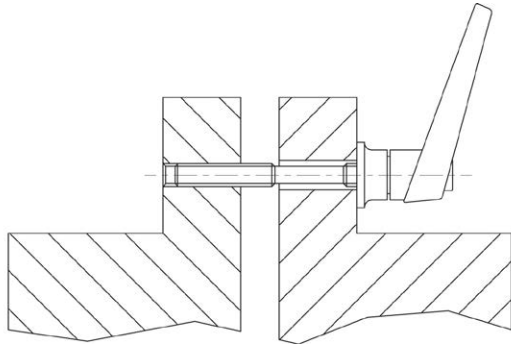
disengaged. The lever can be positioned by the serrations and the threaded insert can be exchanged. On releasing the lever, the serrations are automatically re-engaged. The collar screw is torx head.

Tips

Benefits of axial bearing:
- clamping force is 100% greater than when using standard levers (see graph).

- smaller clamping levers can be used due to the improved clamping force.
- considerably less force loss due to setting.
- no releasing due to vibration.
- no damage to clamped parts, due to axial action.

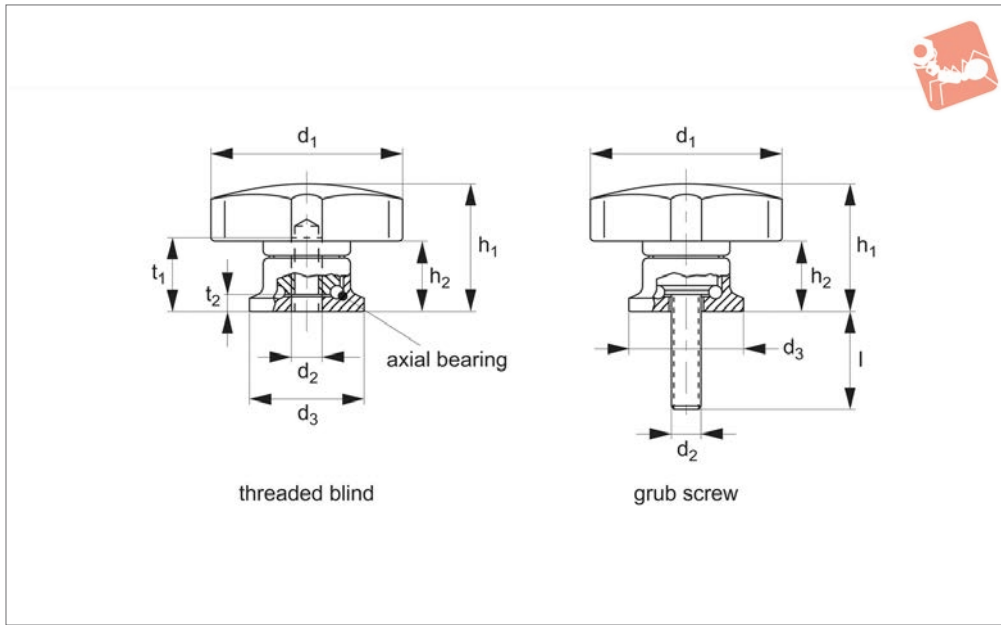
Order No.	Finish	d ₁	d ₂	d ₃	h ₁	h ₂	h ₃	l ₂	t ₁ min.	t ₂	Weight g
74470.W0010	Orange	18	M_6	24.0	34.5	50	3.0	62	12.5	5.0	99
74470.W0110	Orange	22	M_8	25.0	39.5	56	3.5	74	14.0	4.2	140
74470.W0210	Orange	25	M10	30.0	46.5	66	4.0	89	18.0	5.4	207
74470.W0310	Orange	30	M12	35.0	56.5	82	5.0	108	26.5	6.6	359
74470.W0012	Black	18	M_6	24.0	34.5	50	3.0	62	12.5	5.0	99
74470.W0112	Black	22	M_8	25.0	39.5	56	3.5	74	14.0	4.2	140
74470.W0212	Black	25	M10	30.0	46.5	66	4.0	89	18.0	5.4	207
74470.W0312	Black	30	M12	35.0	56.5	82	5.0	108	26.5	6.6	359





Palm Grips with axial bearing

Clamping Levers



70550

CLAMPING LEVERS

Material

Grip: thermoplast (PA).
Inner part: heat-treated steel, nitrided black.
Screw: quality 8.8, blackened.

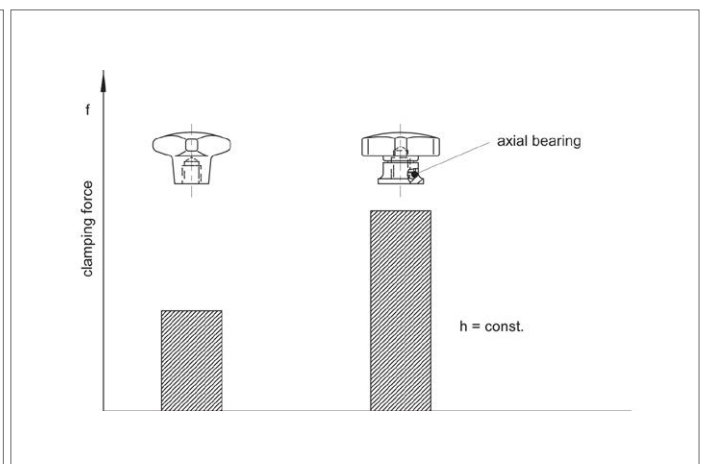
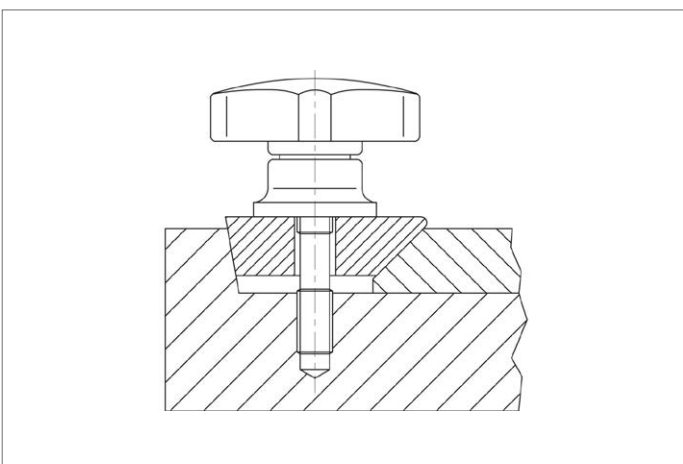
Technical Notes

Advantages of axial bearing:
- Double clamping force with same lever size, by reducing the surface friction.
- Protection of work piece by fixed locating

face.

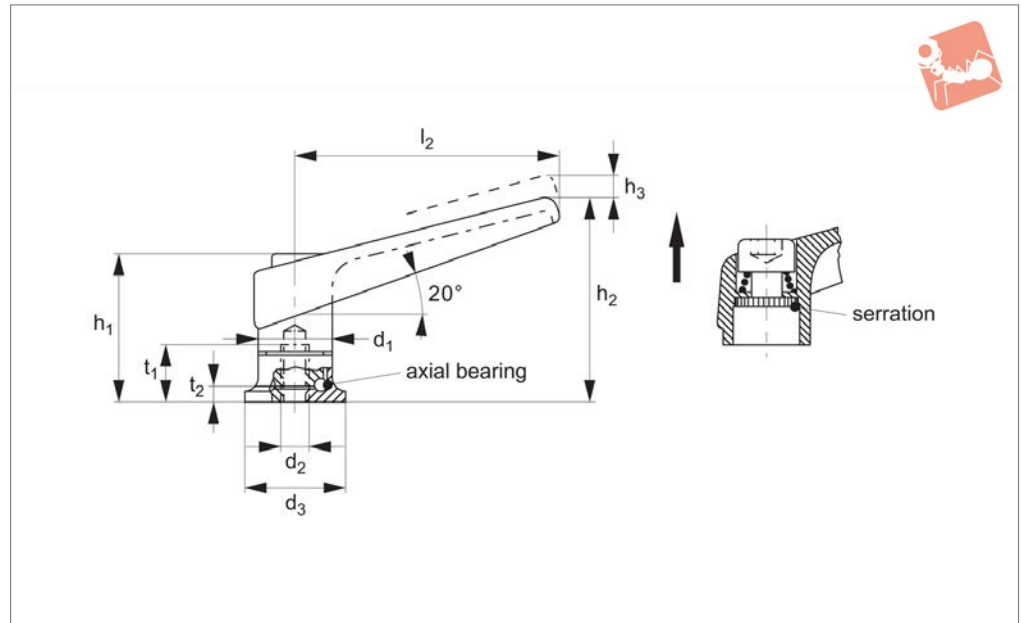
- Little setting due to higher pre-clamping force of bolt.
Temperature resistance +80°C max.

Order No.	Finish	d ₁	d ₂	d ₃	h ₁ ≈	h ₂ ≈	l +2	t ₁ min.	t ₂	Weight g
70550.W0040	Threaded, Blind	40	M 6	24	27	15.0	-	12.5	5.0	45
70550.W0050	Threaded, Blind	50	M 8	25	34	22.5	-	14.0	4.2	68
70550.W0063	Threaded, Blind	63	M10	30	41	26.5	-	18.0	5.4	111
70550.W0080	Threaded, Blind	80	M12	35	54	34.0	-	26.5	6.6	218
70550.W0042	Grub Screw	40	M 6	24	27	15.0	15	-	-	50
70550.W0044	Grub Screw	40	M 6	24	27	15.0	25	-	-	52
70550.W0053	Grub Screw	50	M 8	25	34	22.5	20	-	-	81
70550.W0056	Grub Screw	50	M 8	25	34	22.5	35	-	-	86
70550.W0066	Grub Screw	63	M10	30	41	26.5	30	-	-	137
70550.W0068	Grub Screw	63	M10	30	41	26.5	40	-	-	142
70550.W0083	Grub Screw	80	M12	35	54	34.0	30	-	-	258
70550.W0087	Grub Screw	80	M12	35	54	34.0	50	-	-	276





74472



Material

Lever: zinc die-cast, orange, simialr to RAL 2004. Zinc die-cast, black, similar to RAL 9005.

Threaded part: stainless steel.

Inner part: stainless steel.

Threaded part: stainless steel, hardened.

Technical Notes

By lifting the lever, the serrations are

disengaged. The lever can be positioned by the serrations and the threaded insert can be exchanged. On releasing the lever, the serrations are automatically re-engaged.

Tips

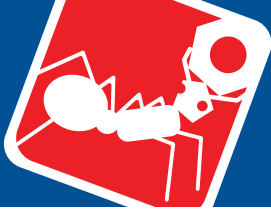
Benefits of axial bearing:

- clamping force is 100% greater than when using standard levers (see graph).
- smaller clamping levers can be used due

to the improved clamping force.

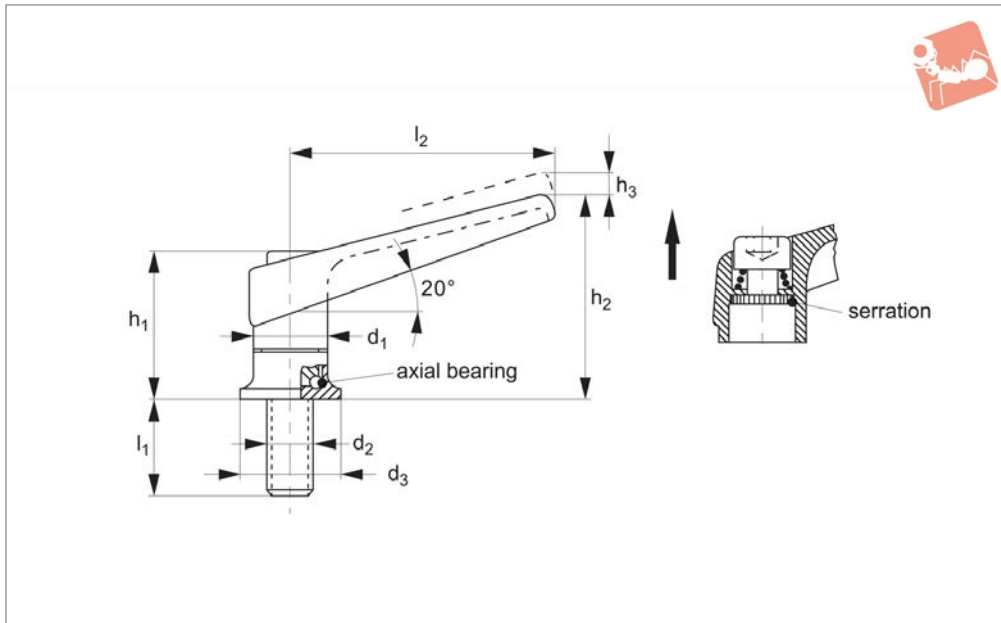
- considerably less force loss due to setting.
- no releasing due to vibration.
- no damage to clamped parts, due to axial action.

Order No.	Colour	d ₁	d ₂	d ₃	h ₁	h ₂	h ₃	l ₂	t ₁ min.	t ₂	Weight g
74472.W1010	Orange	18	M 6	24	34.5	50	3.0	62	12.5	5.0	99
74472.W1012	Black	18	M 6	24	34.5	50	3.0	62	12.5	5.0	99
74472.W1110	Orange	22	M 8	25	39.5	56	3.5	74	14.0	4.2	140
74472.W1112	Black	22	M 8	25	39.5	56	3.5	74	14.0	4.2	140
74472.W1210	Orange	25	M10	30	46.5	66	4.0	89	18.0	5.4	207
74472.W1212	Black	25	M10	30	46.5	66	4.0	89	18.0	5.4	207
74472.W1310	Orange	30	M12	35	56.5	82	5.0	108	26.5	6.6	359
74472.W1312	Black	30	M12	35	56.5	82	5.0	108	26.5	6.6	359



Adjustable Clamping Levers with axial bearing - with grub screw

Clamping Levers



74480

CLAMPING LEVERS

Material

Lever: die-cast zinc.

Orange RAL 2004,

Black RAL 9005.

Inner parts: heat-treated steel, nitrided, blackened.

Screw: steel, nitrided, blackened.

Technical Notes

Lifting the lever disengages the serrations

and the lever can be positioned. On releasing the lever the serrations are automatically re-engaged.

Tips

Benefits of axial bearing:

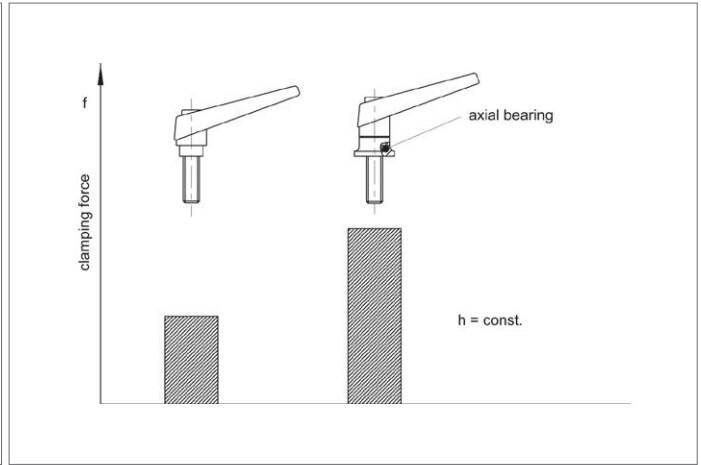
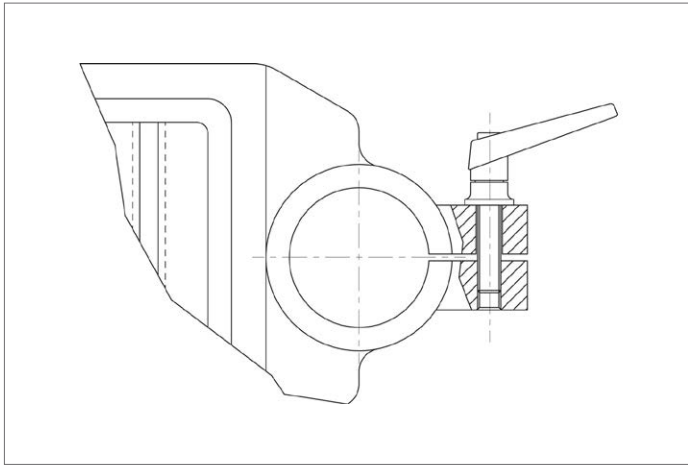
- clamping force is 100% greater than when using standard levers (see graph).
- smaller clamping levers can be used due to the improved clamping force.

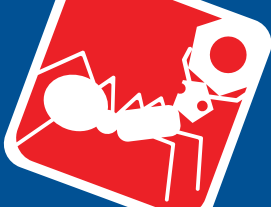
- considerably less force loss due to setting.

- no releasing due to vibration.

- no damage to clamped parts, due to axial action.

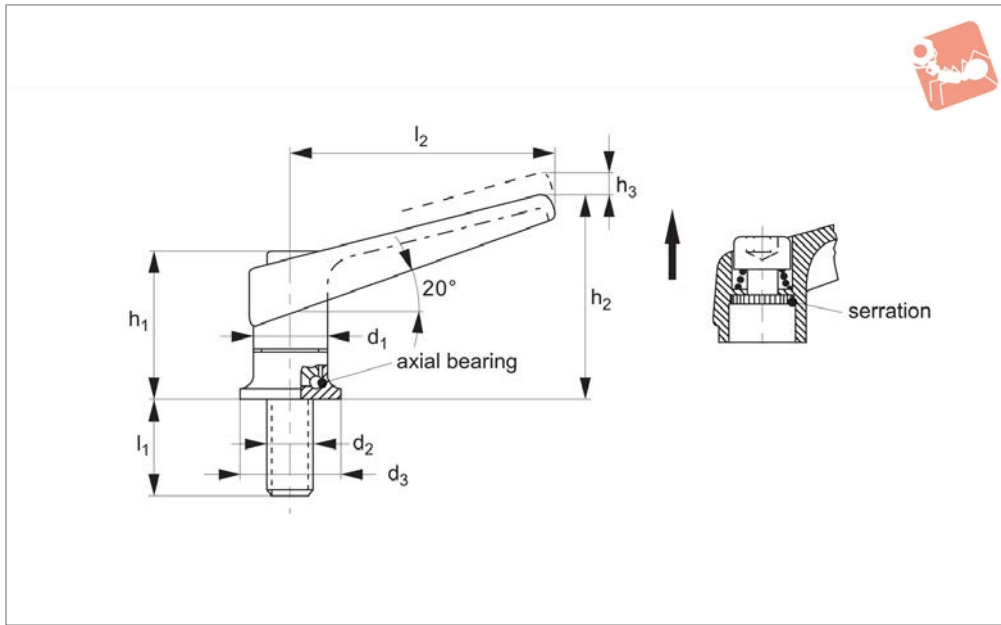
Order No.	Finish	d ₁	d ₂	d ₃	h ₁	h ₂	h ₃	l ₁	l ₂	Weight g
74480.W0030	Orange	18	M_6	24	34.5	50	3.0	20	62	97
74480.W0050	Orange	18	M_6	24	34.5	50	3.0	27	62	98
74480.W0130	Orange	22	M_8	25	39.5	56	3.5	21	74	151
74480.W0150	Orange	22	M_8	25	39.5	56	3.5	36	74	157
74480.W0230	Orange	25	M10	30	46.5	66	4.0	29	89	232
74480.W0250	Orange	25	M10	30	46.5	66	4.0	47	89	242
74480.W0330	Orange	30	M12	35	56.5	82	5.0	34	108	412
74480.W0346	Orange	30	M12	35	56.5	82	5.0	50	108	420
74480.W0350	Orange	30	M12	35	56.5	82	5.0	57	108	426
74480.W0364	Orange	30	M12	35	56.5	82	5.0	65	108	431
74480.W0384	Orange	30	M12	35	56.5	82	5.0	85	108	449
74480.W0032	Black	18	M_6	24	34.5	50	3.0	20	62	97
74480.W0052	Black	18	M_6	24	34.5	50	3.0	27	62	98
74480.W0132	Black	22	M_8	25	39.5	56	3.5	21	74	151
74480.W0152	Black	22	M_8	25	39.5	56	3.5	36	74	157
74480.W0232	Black	25	M10	30	46.5	66	4.0	29	89	232
74480.W0252	Black	25	M10	30	46.5	66	4.0	47	89	242
74480.W0332	Black	30	M12	35	56.5	82	5.0	34	108	412
74480.W0348	Black	30	M12	35	56.5	82	5.0	50	108	420
74480.W0352	Black	30	M12	35	56.5	82	5.0	57	108	426
74480.W0366	Black	30	M12	35	56.5	82	5.0	65	108	431
74480.W0386	Black	30	M12	35	56.5	82	5.0	85	108	449





Adjustable Clamping Levers

with axial bearing, from stainless steel, with screw



74482

CLAMPING LEVERS

Material

Lever: zinc die-cast, orange, similar to RAL 2004. Zinc die-cast, black, similar to RAL 9005.

Screw: stainless steel.

Inner parts: stainless steel.

Threaded part: stainless steel, hardened.

Technical Notes

Lifting the lever disengages the serrations

and the lever can be positioned. On releasing the lever the serrations are automatically re-engaged.

Tips

Benefits of axial bearing:

- clamping force is 100% greater than when using standard levers (see graph).
- smaller clamping levers can be used due to the improved clamping force.

- considerably less force loss due to setting.
- no releasing due to vibration.
- no damage to clamped parts, due to axial action.

Order No.	Colour	d ₁	d ₂	d ₃	h ₁	h ₂	h ₃	l ₁	l ₂	Weight g
74482.W1030	Orange	18	M 6	24	34.5	50	3.0	20	62	97
74482.W1032	Black	18	M 6	24	34.5	50	3.0	20	62	97
74482.W1050	Orange	18	M 6	24	34.5	50	3.0	27	62	98
74482.W1052	Black	18	M 6	24	34.5	50	3.0	27	62	98
74482.W1130	Orange	22	M 8	25	39.5	56	3.5	21	74	151
74482.W1132	Black	22	M 8	25	39.5	56	3.5	21	74	151
74482.W1150	Orange	22	M 8	25	39.5	56	3.5	36	74	157
74482.W1152	Black	22	M 8	25	39.5	56	3.5	36	74	157
74482.W1230	Orange	25	M10	30	46.5	66	4.0	29	89	232
74482.W1232	Black	25	M10	30	46.5	66	4.0	29	89	232
74482.W1250	Orange	25	M10	30	46.5	66	4.0	47	89	242
74482.W1252	Black	25	M10	30	46.5	66	4.0	47	89	242
74482.W1330	Orange	30	M12	35	56.5	82	5.0	34	108	412
74482.W1332	Black	30	M12	35	56.5	82	5.0	34	108	412
74482.W1346	Orange	30	M12	35	56.5	82	5.0	50	108	420
74482.W1348	Black	30	M12	35	56.5	82	5.0	50	108	420
74482.W1350	Orange	30	M12	35	56.5	82	5.0	57	108	426
74482.W1352	Black	30	M12	35	56.5	82	5.0	57	108	426
74482.W1364	Orange	30	M12	35	56.5	82	5.0	65	108	431
74482.W1366	Black	30	M12	35	56.5	82	5.0	65	108	431
74482.W1384	Orange	30	M12	35	56.5	82	5.0	85	108	449
74482.W1386	Black	30	M12	35	56.5	82	5.0	85	108	449

