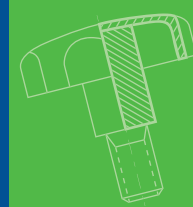


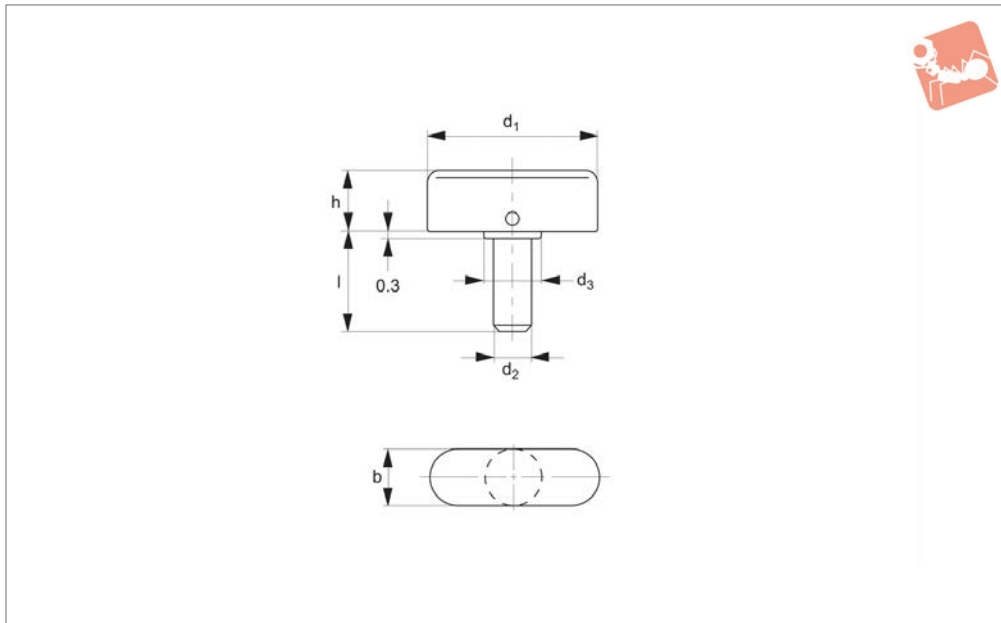


# Quarter Turn Screw, Male

stainless steel



Grips



37380

GRIPS

### Material

Stainless steel 1.4404 (AISI 316), body sintered, matte, shot-blasted. Screw: stainless steel, 1.4301 (AISI 304), matte,

shot-blasted.

### Technical Notes

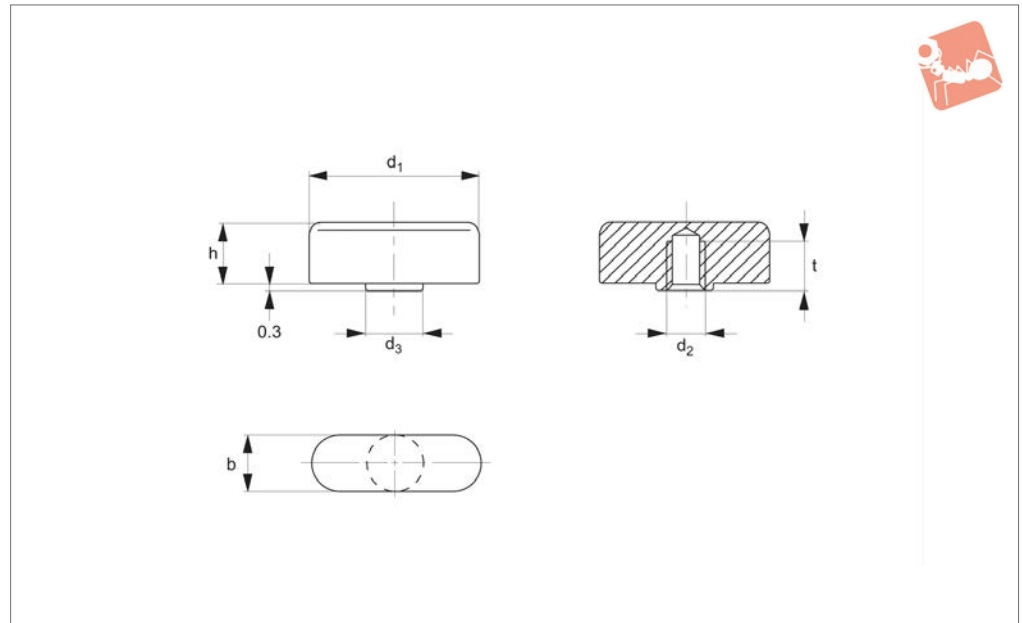
These quarter turn screws are used to

develop higher clamping torques than is possible with knurled handles.

Order No.	d <sub>1</sub>	d <sub>2</sub>	d <sub>3</sub>	b	h	l	Weight g
37380.W0061	25	M 6	8	8	10.0	16	12
37380.W0062	25	M 6	8	8	10.0	20	16
37380.W0063	25	M 6	8	8	10.0	25	10
37380.W0081	30	M 8	10	10	12.0	16	26
37380.W0082	30	M 8	10	10	12.0	20	28
37380.W0083	30	M 8	10	10	12.0	25	30
37380.W0084	30	M 8	10	10	12.0	32	32
37380.W0085	36	M 8	12	12	14.5	16	44
37380.W0086	36	M 8	12	12	14.5	20	45
37380.W0087	36	M 8	12	12	14.5	25	50
37380.W0088	36	M 8	12	12	14.5	32	49
37380.W0101	36	M10	12	12	14.5	20	48
37380.W0102	36	M10	12	12	14.5	30	53
37380.W0103	36	M10	12	12	14.5	40	55



## 37400



### Material

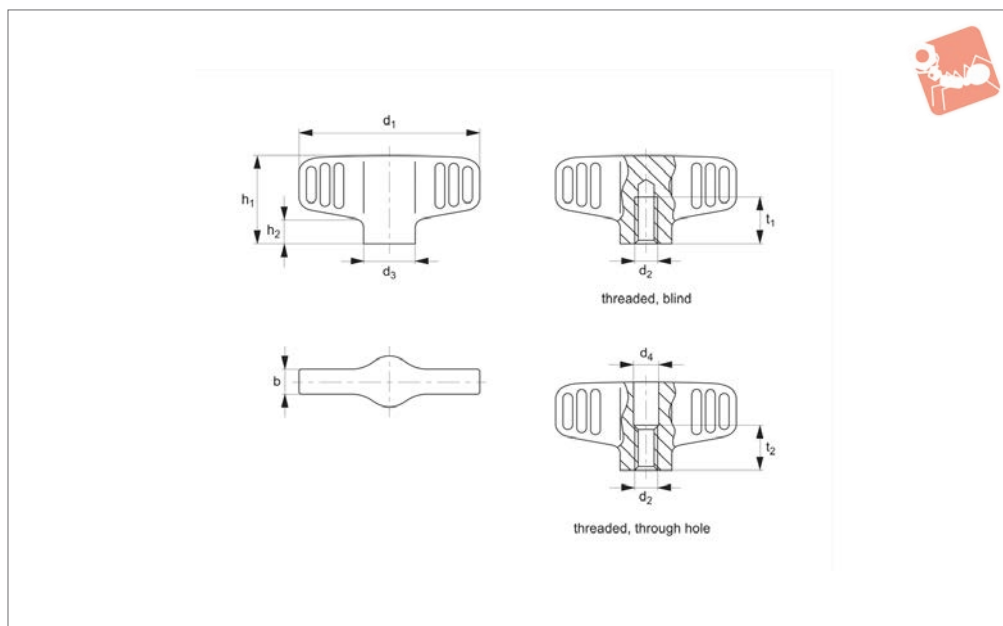
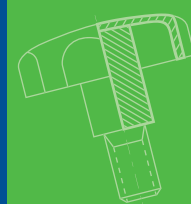
Stainless steel 1.4404 (AISI 316), sintered, matte, shot-blasted.

### Technical Notes

These quarter turn screws are used to develop higher clamping torques than is

possible with knurled handles.

Order No.	$d_1$	$d_2$	$d_3$	b	h	t min.	Weight g
37400.W0061	25	M 6	8	8	10.0	7	11
37400.W0062	30	M 6	10	10	12.0	9	18
37400.W0081	30	M 8	10	10	12.0	9	18
37400.W0082	36	M 8	12	12	14.5	10	36
37400.W0101	36	M10	12	12	14.5	10	36



**37420**

GRIPS

**Material**

Stainless steel 1.4308, matt finish.

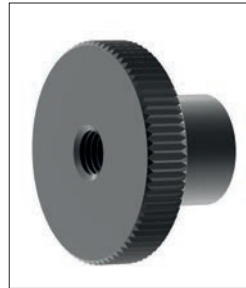
Order No.	Type	d <sub>1</sub>	d <sub>2</sub>	d <sub>3</sub>	d <sub>4</sub> tol. H13	b	h <sub>1</sub>	h <sub>2</sub> ≈	t <sub>1</sub> min.	t <sub>2</sub>
37420.W0010	Threaded, blind	46	M 6	13	6.5	6	22.5	6.0	12	10
37420.W0012	Threaded, blind	46	M 8	13	8.5	6	22.5	6.0	15	13
37420.W0014	Threaded, blind	58	M 8	16	8.5	7	26.5	7.0	15	13
37420.W0016	Threaded, blind	58	M10	16	10.5	7	26.5	7.0	18	16
37420.W0210	Threaded, through hole	46	M 6	13	6.5	6	22.5	6.0	12	10
37420.W0212	Threaded, through hole	46	M 8	13	8.5	6	22.5	6.0	15	13
37420.W0214	Threaded, through hole	58	M 8	16	8.5	7	26.5	7.0	15	13
37420.W0216	Threaded, through hole	58	M10	16	10.5	7	26.5	7.0	18	16



**37020** - Steel flat knurled screw



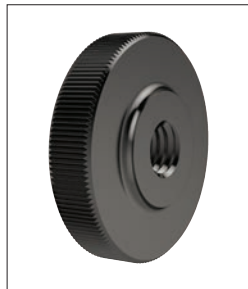
**37040** - Stainless steel flat knurled screw



**37100** - Steel knurled nut with collar



**37110** - Stainless steel knurled nut with collar



**37120** - Steel flat knurled nut



**37130** - Stainless steel flat knurled nut



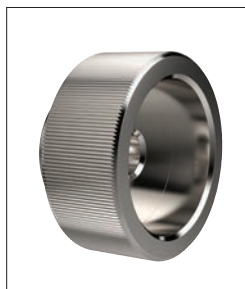
**37140** - Steel knurled screw with collar



**37150** - Stainless steel knurled screw with collar



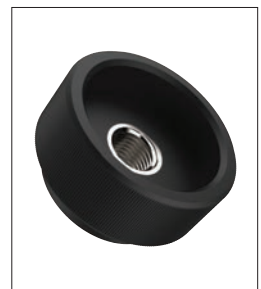
**37160** - Steel knurled nut



**37170** - Stainless steel knurled nut



**37200** - Stainless steel knurled thumb screw



**37330** - Plastic knurled nut



**37352** - Plastic knurled steel screw



**37354** - Plastic knurled stainless steel screw



**37380** - 1/4 turn screw



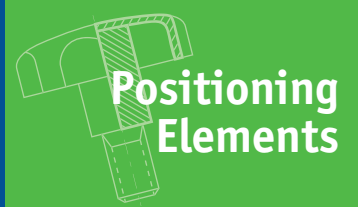
**37400** - 1/4 turn nut



**37460** - Thumb knob



# Wide Selection of Thumb Screws, Knurled Screws & Wing Nuts



72180 - Plastic wing nut



72190 - Plastic wing nut  
with screw



72210 - Plastic wing nuts



72270 - 1/4 turn nut



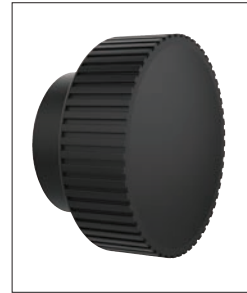
72280 - 1/4 turn nut



72290 - 1/4 turn screw



72300 - 1/4 turn screw



72410 - Knurled knob



72430 - Knurled knob  
with screw



72440 - Knurled knobs



72460 - Knurled knobs

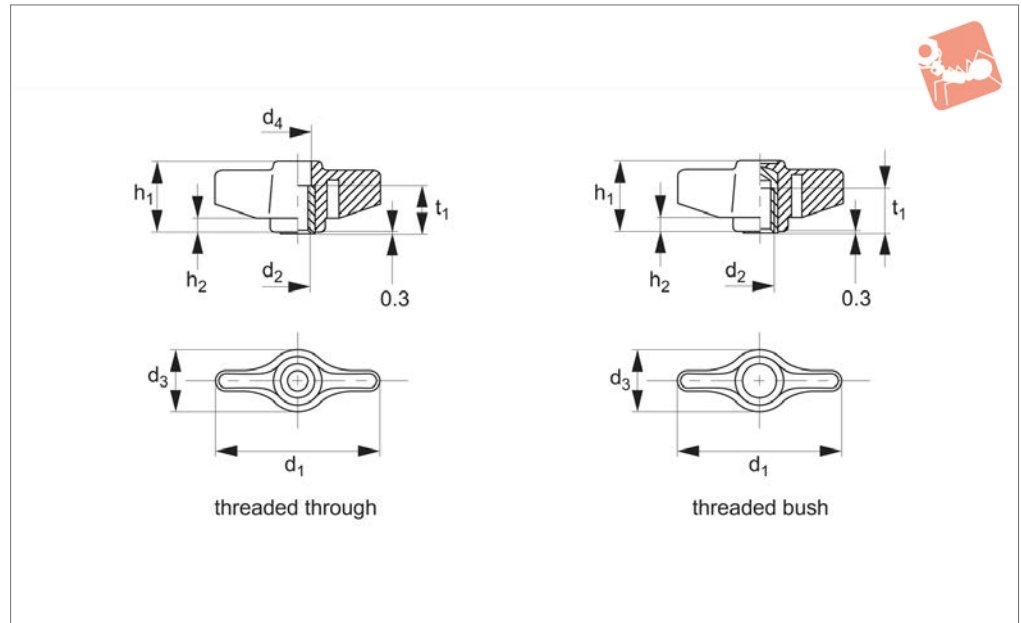


73200 - Mushroom knobs

GRIPS

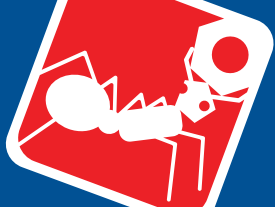


72180

**Material**

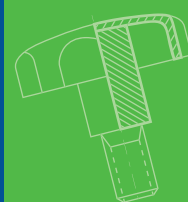
Brass bush. Thermoplastic, black, matte.

Order No.	Type	d <sub>1</sub>	d <sub>2</sub>	d <sub>3</sub>	d <sub>4</sub>	h <sub>1</sub>	h <sub>2</sub>	t <sub>1</sub>	Weight g
72180.W0034	Threaded Through	34	M 5	14	7	18	4	15	7
72180.W0035	Threaded Through	34	M 6	14	7	18	4	15	7
72180.W0040	Threaded Through	40	M 6	15	9	19	4	15	10
72180.W0041	Threaded Through	40	M 8	15	9	19	4	15	10
72180.W0048	Threaded Through	48	M 6	17	9	20	4	15	10
72180.W0049	Threaded Through	48	M 8	17	9	20	4	15	11
72180.W0135	Threaded Bush	34	M 5	14	-	18	4	8	5
72180.W0136	Threaded Bush	34	M 6	14	-	18	4	9	5
72180.W0138	Threaded Bush	34	M 8	14	-	18	4	9	6
72180.W0146	Threaded Bush	40	M 6	15	-	19	4	9	7
72180.W0148	Threaded Bush	40	M 8	15	-	19	4	9	7
72180.W0149	Threaded Bush	48	M 6	17	-	20	4	13	7
72180.W0150	Threaded Bush	48	M 8	17	-	20	4	13	9

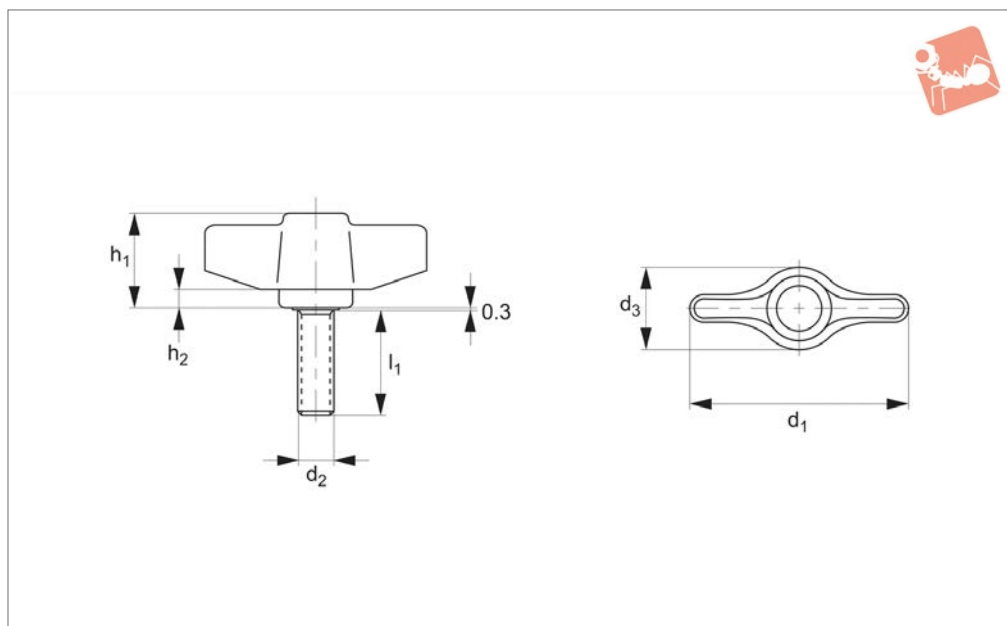


# Wing Nuts

plastic, with grub screw



## Grips



**72190**

GRIPS

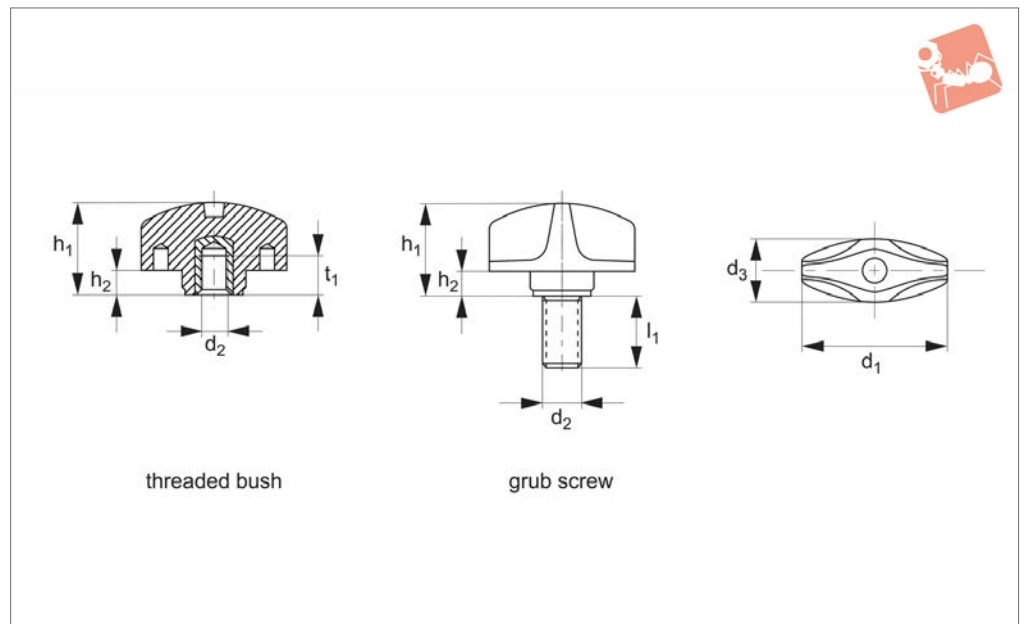
### Material

Zinc plated steel stud. Thermoplastic, black, matt.

Order No.	d <sub>1</sub>	d <sub>2</sub>	d <sub>3</sub>	h <sub>1</sub>	h <sub>2</sub>	l <sub>1</sub>	Weight g
72190.W0341	34	M 4	14	18	4	15	5
72190.W0342	34	M 5	14	18	4	15	7
72190.W0343	34	M 6	14	18	4	15	9
72190.W0344	34	M 6	14	18	4	25	11
72190.W0345	34	M 8	14	18	4	15	13
72190.W0346	34	M 8	14	18	4	25	15
72190.W0401	40	M 6	15	19	4	15	10
72190.W0402	40	M 6	15	19	4	20	11
72190.W0403	40	M 8	15	19	4	15	14
72190.W0404	40	M 8	15	19	4	20	15
72190.W0405	40	M 8	15	19	4	25	16
72190.W0481	48	M 6	17	20	4	15	12
72190.W0482	48	M 6	17	20	4	20	12
72190.W0483	48	M 6	17	20	4	25	13
72190.W0484	48	M 8	17	20	4	15	15
72190.W0485	48	M 8	17	20	4	25	18
72190.W0486	48	M 8	17	20	4	30	19
72190.W0487	48	M 8	17	20	4	40	22



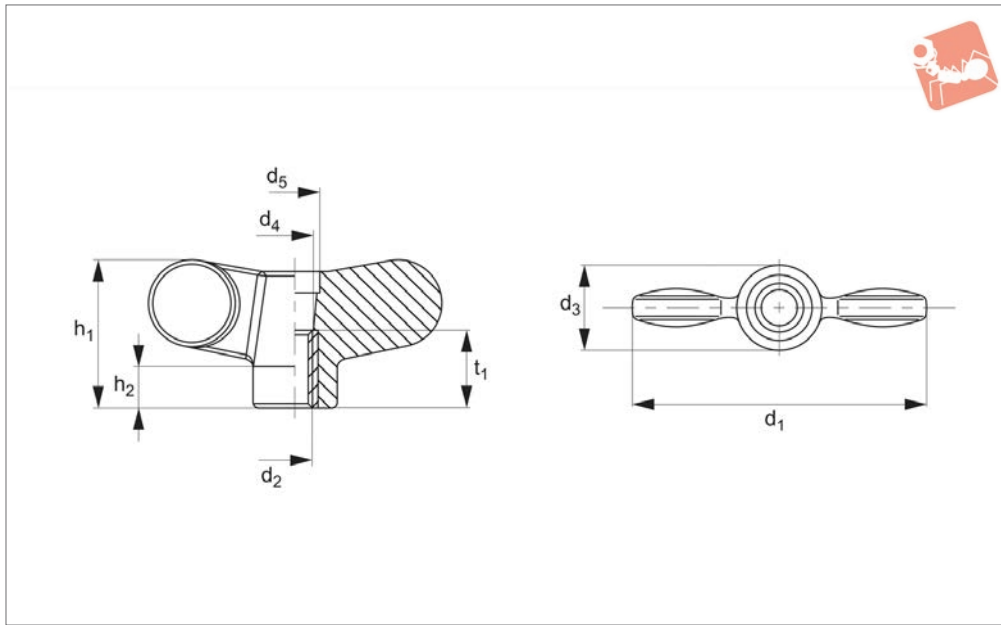
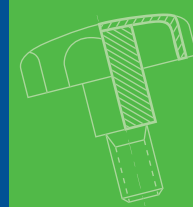
72210

**Material**

Brass bush. Zinc plated steel stud. Thermo-plastic, black, matt.

Order No.	Type	d <sub>1</sub>	d <sub>2</sub>	d <sub>3</sub>	h <sub>1</sub>	h <sub>2</sub>	l <sub>1</sub>	t <sub>1</sub>	Weight g
72210.W0004	Threaded Bush	30	M 4	13	19	5	-	8	5.8
72210.W0005	Threaded Bush	30	M 5	13	19	5	-	8	5.4
72210.W0006	Threaded Bush	30	M 6	13	19	5	-	8	5.6
72210.W0008	Threaded Bush	30	M 8	13	19	5	-	8	6.0
72210.W0341	Grub Screw	30	M 4	13	19	5	15	-	5.4
72210.W0342	Grub Screw	30	M 4	13	19	5	20	-	5.4
72210.W0351	Grub Screw	30	M 5	13	19	5	15	-	6.4
72210.W0352	Grub Screw	30	M 5	13	19	5	25	-	7.6
72210.W0353	Grub Screw	30	M 5	13	19	5	30	-	9.4
72210.W0361	Grub Screw	30	M 6	13	19	5	15	-	8.0
72210.W0362	Grub Screw	30	M 6	13	19	5	25	-	9.8
72210.W0363	Grub Screw	30	M 6	13	19	5	30	-	10.0
72210.W0364	Grub Screw	30	M 6	13	19	5	40	-	12.2
72210.W0381	Grub Screw	30	M 8	13	19	5	15	-	11.4
72210.W0383	Grub Screw	30	M 8	13	19	5	30	-	16.6
72210.W0384	Grub Screw	30	M 8	13	19	5	40	-	19.8





72270

GRIPS

**Material**

Thermoplastic, black.  
Brass bush.

Order No.	d <sub>1</sub>	d <sub>2</sub>	d <sub>3</sub>	d <sub>4</sub>	d <sub>5</sub>	h <sub>1</sub>	h <sub>2</sub>	t <sub>1</sub>	Weight g
72270.W0052	55	M 6	16	8	11	28	8	18	14
72270.W0054	55	M 8	16	10	11	28	8	18	15
72270.W0074	70	M 8	20	10	11	36	10	18	23
72270.W0076	70	M10	20	11	11	36	10	18	24

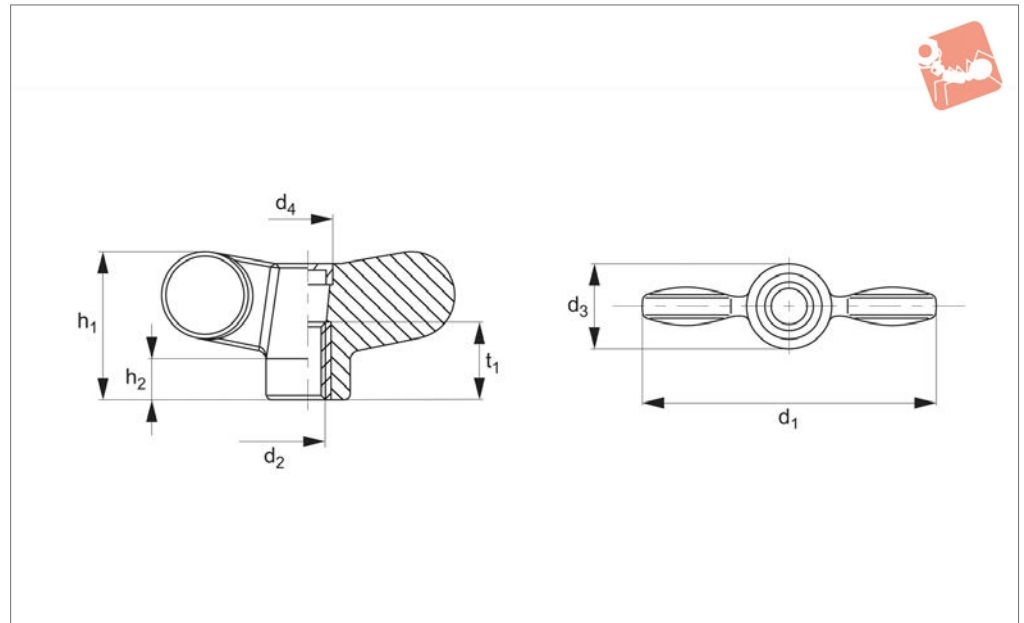


# Wing Nut

plastic, with colour insert



**72280**



### Material

Thermoplastic, black.

Plastic insert: black RAL9005, red

RAL3000, blue RAL5019.

subject to minimum quantity.

### Tips

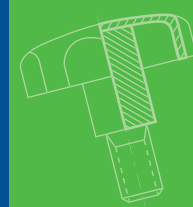
Other colour inserts available on request,

Order No.	Insert colour	d <sub>1</sub>	d <sub>2</sub>	d <sub>3</sub>	d <sub>4</sub>	h <sub>1</sub>	h <sub>2</sub>	t <sub>1</sub>	Weight g
72280.W0052	Black	55	M 6	16	11	28	8	18	14.5
72280.W0054	Black	55	M 8	16	11	28	8	18	15.5
72280.W0074	Black	70	M 8	20	11	36	10	18	23.5
72280.W0076	Black	70	M10	20	11	36	10	18	24.5
72280.W0152	Red	55	M 6	16	11	28	8	18	14.5
72280.W0154	Red	55	M 8	16	11	28	8	18	15.5
72280.W0174	Red	70	M 8	20	11	36	10	18	23.5
72280.W0176	Red	70	M10	20	11	36	10	18	24.5
72280.W0252	Blue	55	M 6	16	11	28	8	18	14.5
72280.W0254	Blue	55	M 8	16	11	28	8	18	15.5
72280.W0274	Blue	70	M 8	20	11	36	10	18	23.5
72280.W0276	Blue	70	M10	20	11	36	10	18	24.5

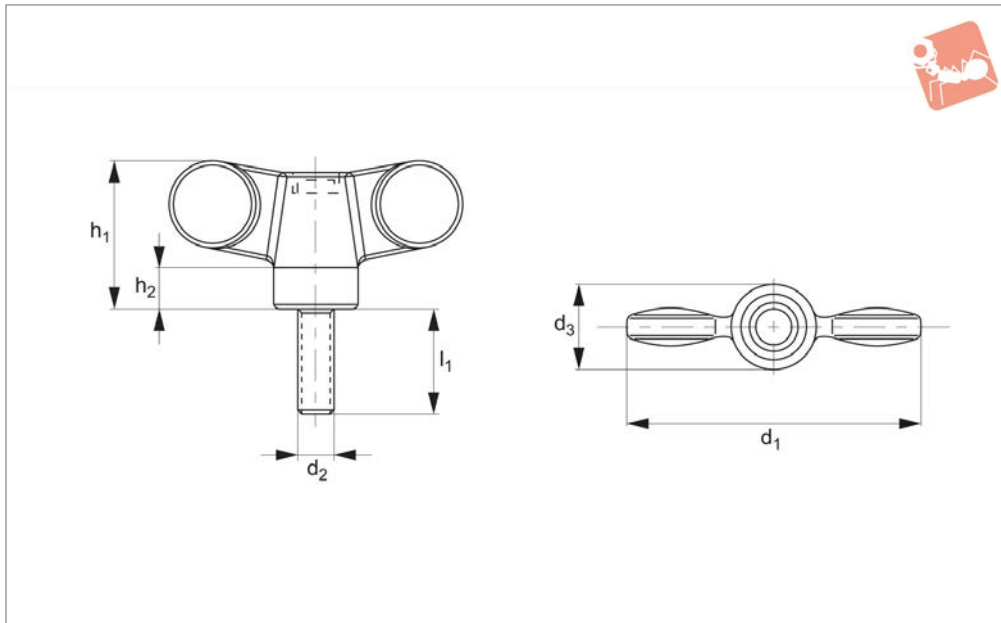


# Wing Nut

plastic, with grub screw and colour insert



## Grips



**72290**

GRIPS

### Material

Thermoplastic black.  
Plastic insert: black RAL9005, red

RAL3000, blue RAL 5019.

subject to minimum quantity.

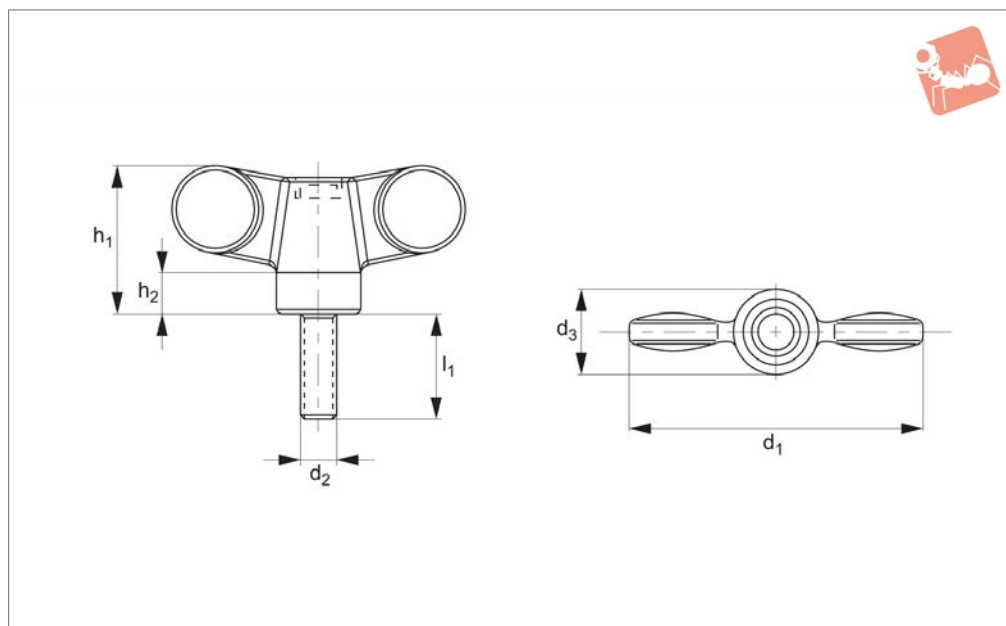
### Tips

Other colour inserts available on request,

Order No.	Insert colour	d <sub>1</sub>	d <sub>2</sub>	d <sub>3</sub>	h <sub>1</sub>	h <sub>2</sub>	l <sub>1</sub>	Weight g
72290.W0054	Black	55	M 8	16	28	8	20	24
72290.W0055	Black	55	M 8	16	28	8	40	26
72290.W0056	Black	55	M10	16	28	8	20	30
72290.W0057	Black	55	M10	16	28	8	40	40
72290.W0074	Black	70	M 8	20	36	10	20	30
72290.W0076	Black	70	M10	20	36	10	20	39
72290.W0077	Black	70	M10	20	36	10	40	47
72290.W0154	Red	55	M 8	16	28	8	20	24
72290.W0155	Red	55	M 8	16	28	8	40	26
72290.W0156	Red	55	M10	16	28	8	20	30
72290.W0157	Red	55	M10	16	28	8	40	40
72290.W0174	Red	70	M 8	20	36	10	20	30
72290.W0176	Red	70	M10	20	36	10	20	39
72290.W0177	Red	70	M10	20	36	10	40	47
72290.W0254	Blue	55	M 8	16	28	8	20	24
72290.W0255	Blue	55	M 8	16	28	8	40	26
72290.W0256	Blue	55	M10	16	28	8	20	30
72290.W0257	Blue	55	M10	16	28	8	40	40
72290.W0274	Blue	70	M 8	20	36	10	20	30
72290.W0276	Blue	70	M10	20	36	10	20	39
72290.W0277	Blue	70	M10	20	36	10	40	47



## 72300



### Material

Thermoplastic black, with stainless steel thread.

Plastic insert: black RAL9005, red

RAL3000, blue RAL5019.

subject to minimum quantity.

### Tips

Other colour inserts available on request,

Order No.	Insert colour	d <sub>1</sub>	d <sub>2</sub>	d <sub>3</sub>	h <sub>1</sub>	h <sub>2</sub>	l <sub>1</sub>	Weight g
72300.W0054	Black	55	M 8	16	28	8	20	24
72300.W0055	Black	55	M 8	16	28	8	30	25
72300.W0077	Black	70	M10	20	36	10	30	43
72300.W0154	Red	55	M 8	16	28	8	20	24
72300.W0155	Red	55	M 8	16	28	8	30	25
72300.W0177	Red	70	M10	20	36	10	30	43
72300.W0254	Blue	55	M 8	16	28	8	20	24
72300.W0255	Blue	55	M 8	16	28	8	30	25
72300.W0277	Blue	70	M10	20	36	10	30	43