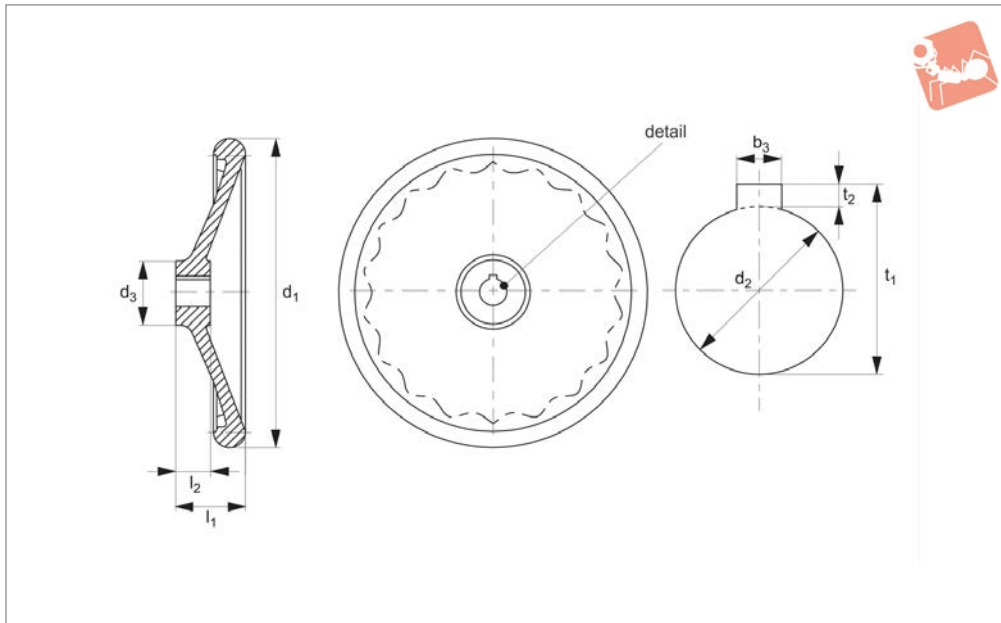




Disc Type Handwheels

DIN 3670



77200

HANDWHEELS

Material

Hub machined; rim turned and mirror-finished on all sides, non-machined surfaces cleanly blasted.

Aluminium permanent-mould casting.

Technical Notes

There are gripping indentations on the rear

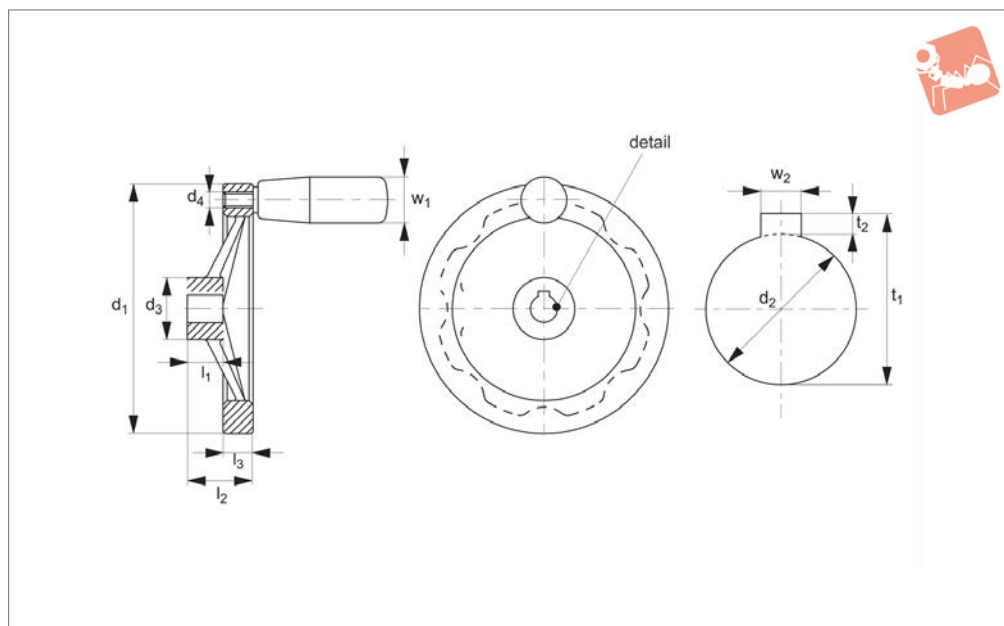
sides.

For keyways information (dim. t_1 and b_3) to DIN 6885.

Order No.	Type	d_1	d_2 tol. H7	d_3	l_1 ≈	l_2	b_3	t	Weight g
77200.W0103	Without Keyway	80	10	26	29	16	-	-	119
77200.W0104	Without Keyway	80	12	26	29	16	-	-	116
77200.W0105	Without Keyway	100	10	28	33	17	-	-	194
77200.W0106	Without Keyway	100	12	28	33	17	-	-	194
77200.W0110	Without Keyway	125	12	31	36	18	-	-	288
77200.W0111	Without Keyway	125	14	31	36	18	-	-	288
77200.W0120	Without Keyway	160	14	36	40	20	-	-	477
77200.W0121	Without Keyway	160	16	36	40	20	-	-	477
77200.W0130	Without Keyway	200	18	42	45	24	-	-	955
77200.W0131	Without Keyway	200	22	42	45	24	-	-	955
77200.W0140	Without Keyway	250	22	48	50	28	-	-	1685
77200.W0141	Without Keyway	250	26	48	50	28	-	-	1685
77200.W0150	Without Keyway	315	26	56	56	33	-	-	2710
77200.W0151	Without Keyway	315	28	56	56	33	-	-	2700
77200.W0160	Without Keyway	400	30	65	63	38	-	-	4720
77200.W0161	Without Keyway	400	32	65	63	38	-	-	4660
77200.W0303	With Keyway	80	10	26	29	16	3	11.4	120
77200.W0304	With Keyway	80	12	26	29	16	4	13.8	129
77200.W0305	With Keyway	100	10	28	33	17	3	11.4	190
77200.W0306	With Keyway	100	12	28	33	17	4	13.8	190
77200.W0310	With Keyway	125	12	31	36	18	4	13.8	250
77200.W0311	With Keyway	125	14	31	36	18	5	16.3	250
77200.W0320	With Keyway	160	14	36	40	20	5	16.3	491
77200.W0321	With Keyway	160	16	36	40	20	5	18.3	491
77200.W0330	With Keyway	200	18	42	45	24	6	20.8	933
77200.W0331	With Keyway	200	22	42	45	24	6	24.8	933
77200.W0340	With Keyway	250	22	48	50	28	6	24.8	1662
77200.W0341	With Keyway	250	26	48	50	28	8	29.3	1662
77200.W0350	With Keyway	315	26	56	56	33	8	29.3	2700
77200.W0351	With Keyway	315	28	56	56	33	8	31.3	2670
77200.W0360	With Keyway	400	30	65	63	38	8	33.3	4760
77200.W0361	With Keyway	400	32	65	63	38	10	35.3	4720



77400



Material

Aluminium mould casting. Handle duroplast DF 31 black.

Hub machined; rim turned and mirror-finished on all sides, non-machined surfaces cleanly blasted.

For corresponding handle details see no. 75120 rotating handle.

Technical Notes

There are gripping indentations on the rear sides.

The non-machined, raw surfaces are blasted; together with the mirror-polished rim these handwheels are therefore showing a finish which in most cases does not require additional lacquering.

Temperature range up to 110°C. Also available in black plastic coated - on request.

For keyways information (dim. t_1 and b_3) to DIN 6885.

Order No.	Finish	Bore dia.	d_1	d_2 tol. H7 Small	d_2 tol. H7 Large	d_3	d_4	l_1	l_2 ~	l_3	w_1	Weight g
77400.W0008	W/o Keyway, W/o Handle	d2 Small	80	10	12	26	-	16	26	13.0	-	130
77400.W0009	W/o Keyway, W/o Handle	d2 Large	80	10	12	26	-	16	26	13.0	-	130
77400.W0010	W/o Keyway, W/o Handle	d2 Small	100	10	12	28	-	17	30	14.0	-	203
77400.W0011	W/o Keyway, W/o Handle	d2 Large	100	10	12	28	-	17	30	14.0	-	203
77400.W0012	W/o Keyway, W/o Handle	d2 Small	125	12	14	31	-	18	33	15.0	-	307
77400.W0013	W/o Keyway, W/o Handle	d2 Large	125	12	14	31	-	18	33	15.0	-	307
77400.W0014	W/o Keyway, W/o Handle	d2 Small	140	14	16	36	-	19	36	16.5	-	430
77400.W0015	W/o Keyway, W/o Handle	d2 Large	140	14	16	36	-	19	36	16.5	-	430
77400.W0016	W/o Keyway, W/o Handle	d2 Small	160	14	16	36	-	20	39	18.0	-	540
77400.W0017	W/o Keyway, W/o Handle	d2 Large	160	14	16	36	-	20	39	18.0	-	540
77400.W0020	W/o Keyway, W/o Handle	d2 Small	200	18	20	42	-	24	45	20.5	-	849
77400.W0021	W/o Keyway, W/o Handle	d2 Large	200	18	20	42	-	24	45	20.5	-	849
77400.W0025	W/o Keyway, W/o Handle	d2 Small	250	22	26	48	-	28	51	23.5	-	1495
77400.W0026	W/o Keyway, W/o Handle	d2 Large	250	22	26	48	-	28	51	23.5	-	1495
77400.W0108	With Keyway, W/o Handle	d2 Small	80	10	12	26	-	16	26	13.0	-	139
77400.W0109	With Keyway, W/o Handle	d2 Large	80	10	12	26	-	16	26	13.0	-	139
77400.W0110	With Keyway, W/o Handle	d2 Small	100	10	12	28	-	17	30	14.0	-	190
77400.W0111	With Keyway, W/o Handle	d2 Large	100	10	12	28	-	17	30	14.0	-	190
77400.W0112	With Keyway, W/o Handle	d2 Small	125	12	14	31	-	18	33	15.0	-	291
77400.W0113	With Keyway, W/o Handle	d2 Large	125	12	14	31	-	18	33	15.0	-	291
77400.W0114	With Keyway, W/o Handle	d2 Small	140	14	16	36	-	19	36	16.5	-	413
77400.W0115	With Keyway, W/o Handle	d2 Large	140	14	16	36	-	19	36	16.5	-	413
77400.W0116	With Keyway, W/o Handle	d2 Small	160	14	16	36	-	20	39	18.0	-	529
77400.W0117	With Keyway, W/o Handle	d2 Large	160	14	16	36	-	20	39	18.0	-	529
77400.W0120	With Keyway, W/o Handle	d2 Small	200	18	20	42	-	24	45	20.5	-	880
77400.W0121	With Keyway, W/o Handle	d2 Large	200	18	20	42	-	24	45	20.5	-	880
77400.W0125	With Keyway, W/o Handle	d2 Small	250	22	26	48	-	28	51	23.0	-	1515
77400.W0126	With Keyway, W/o Handle	d2 Large	250	22	26	48	-	28	51	23.0	-	1515
77400.W0508	W/o Keyway, With Handle	d2 Small	80	10	12	26	M 6	16	26	13.0	18	160

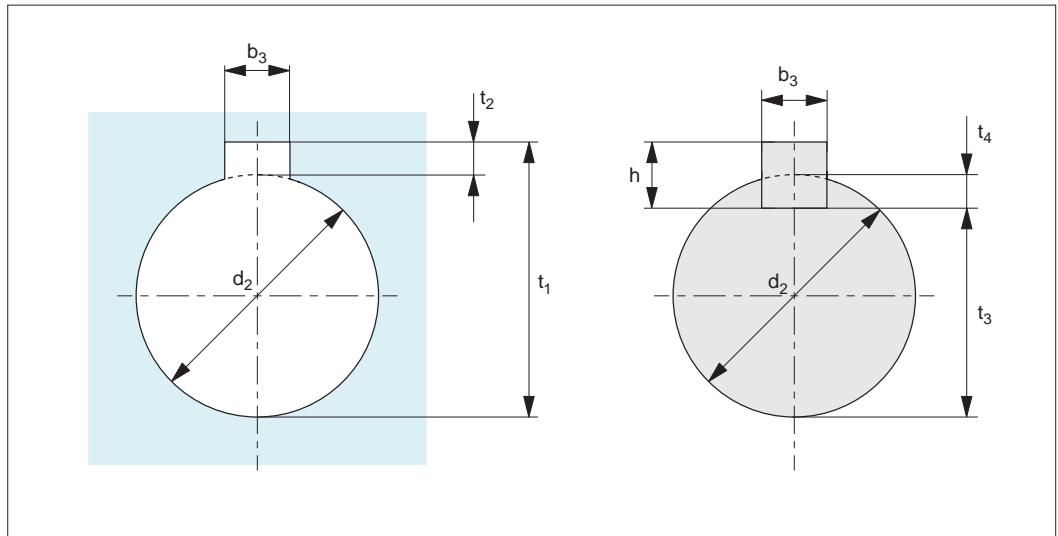
Disc Type Handwheels



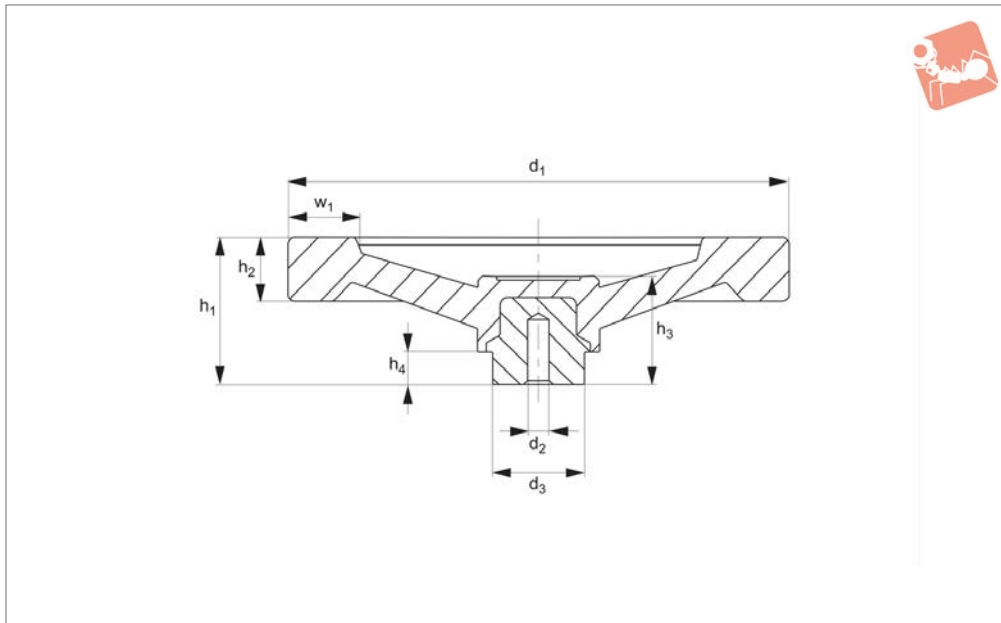
Handwheels

Order No.	Finish	Bore dia.	d ₁	d ₂ tol. H7 Small	d ₂ tol. H7 Large	d ₃	d ₄	l ₁	l ₂ z	l ₃	w ₁	Weight g
77400.W0509	W/o Keyway, With Handle	d2 Large	80	10	12	26	M 6	16	26	13.0	18	160
77400.W0510	W/o Keyway, With Handle	d2 Small	100	10	12	28	M 6	17	30	14.0	21	255
77400.W0511	W/o Keyway, With Handle	d2 Large	100	10	12	28	M 6	17	30	14.0	21	255
77400.W0512	W/o Keyway, With Handle	d2 Small	125	12	14	31	M 8	18	33	15.0	23	390
77400.W0513	W/o Keyway, With Handle	d2 Large	125	12	14	31	M 8	18	33	15.0	23	390
77400.W0514	W/o Keyway, With Handle	d2 Small	140	14	16	36	M 8	19	36	16.5	23	510
77400.W0515	W/o Keyway, With Handle	d2 Large	140	14	16	36	M 8	19	36	16.5	23	510
77400.W0516	W/o Keyway, With Handle	d2 Small	160	14	16	36	M10	20	39	18.0	26	675
77400.W0517	W/o Keyway, With Handle	d2 Large	160	14	16	36	M10	20	39	18.0	26	675
77400.W0520	W/o Keyway, With Handle	d2 Small	200	18	20	42	M10	24	45	20.5	26	995
77400.W0521	W/o Keyway, With Handle	d2 Large	200	18	20	42	M10	24	45	20.5	26	995
77400.W0525	W/o Keyway, With Handle	d2 Small	250	22	26	48	M10	28	51	23.0	28	1625
77400.W0526	W/o Keyway, With Handle	d2 Large	250	22	26	48	M10	28	51	23.0	28	1625
77400.W0608	With Keyway, With Handle	d2 Small	80	10	12	26	M 6	16	26	13.0	18	160
77400.W0609	With Keyway, With Handle	d2 Large	80	10	12	26	M 6	16	26	13.0	18	160
77400.W0610	With Keyway, With Handle	d2 Small	100	10	12	28	M 6	17	30	14.0	21	255
77400.W0611	With Keyway, With Handle	d2 Large	100	10	12	28	M 6	17	30	14.0	21	255
77400.W0612	With Keyway, With Handle	d2 Small	125	12	14	31	M 8	18	33	15.0	23	390
77400.W0613	With Keyway, With Handle	d2 Large	125	12	14	31	M 8	18	33	15.0	23	390
77400.W0614	With Keyway, With Handle	d2 Small	140	14	16	36	M 8	19	36	16.5	23	510
77400.W0615	With Keyway, With Handle	d2 Large	140	14	16	36	M 8	19	36	16.5	23	510
77400.W0616	With Keyway, With Handle	d2 Small	160	14	16	36	M10	20	39	18.0	26	675
77400.W0617	With Keyway, With Handle	d2 Large	160	14	16	36	M10	20	39	18.0	26	675
77400.W0620	With Keyway, With Handle	d2 Small	200	18	20	42	M10	24	45	20.5	26	995
77400.W0621	With Keyway, With Handle	d2 Large	200	18	20	42	M10	24	45	20.5	26	995
77400.W0625	With Keyway, With Handle	d2 Small	250	22	26	48	M10	28	51	23.0	28	1625
77400.W0626	With Keyway, With Handle	d2 Large	250	22	26	48	M10	28	51	23.0	28	1625

HANDWHEELS



d_2	$b_{P9/JS9}$ hole	$b_{P9/N9}$ shaft	h	$t_1 = d_2 + t_2$	t_2	$t_3 = d_2 - t_4$	t_4
7	2	2	2	8	1+0,1	5,8	1,2+0,1
8	2	2	2	9	1	6,8	1,2
9	3	3	3	10,4	1,4	7,2	1,8
10	3	3	3	11,4	1,4	8,2	1,8
11	4	4	4	12,8	1,8	8,5	2,5
12	4	4	4	13,8	1,8	9,5	2,5
13	5	5	5	15,3	2,3	10	3
14	5	5	5	16,3	2,3	11	3
15	5	5	5	17,3	2,3	12	3
16	5	5	5	18,3	2,3	13	3
17	5	5	5	19,3	2,3	14	3
18	6	6	6	20,8	2,8	14,5	3,5
20	6	6	6	22,8	2,8	16,5	3,5
22	6	6	6	24,8	2,8	18,5	3,5
24	8	8	7	27,3	3,3+0,2	20	4+0,2
25	8	8	7	28,3	3,3	21	4
26	8	8	7	29,3	3,3	22	4
28	8	8	7	31,3	3,3	24	4
30	8	8	7	33,3	3,3	26	4
32	10	10	8	35,3	3,3	27	5
34	10	10	8	37,3	3,3	29	5
35	10	10	8	38,3	3,3	30	5
36	10	10	8	39,3	3,3	31	5
38	10	10	8	41,3	3,3	33	5
40	12	12	8	43,3	3,3	35	5
42	12	12	8	45,3	3,3	37	5
44	12	12	8	47,3	3,3	39	5



77600

HANDWHEELS

Material

Black, duroplast, with zinc plated steel hub.

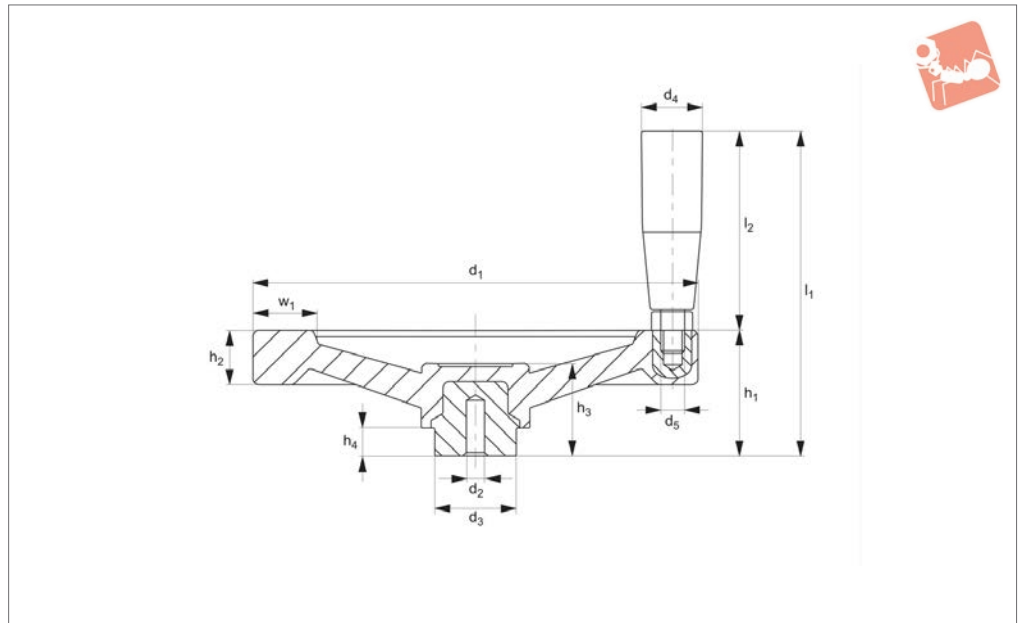
Technical Notes

The pilot hole allows various sizes of holes, keyways etc. to be machined into the hub.

Order No.	d ₁	d ₂	d ₃	h ₁	h ₂	h ₃	h ₄	w ₁	Weight g
77600.W0100	100	4	24	35	14	30	11	16	200
77600.W0125	125	6	32	44	16	36	13	18	338
77600.W0150	150	6	32	48	18	38	13	20	458
77600.W0200	200	6	40	58	21	45	16	24	853
77600.W0250	250	8	48	66	22	50	17	30	1464
77600.W0300	300	8	58	76	24	57	18	35	2473



77620



HANDWHEELS

Material

Black, duroplast plastic with zinc plated steel hub.

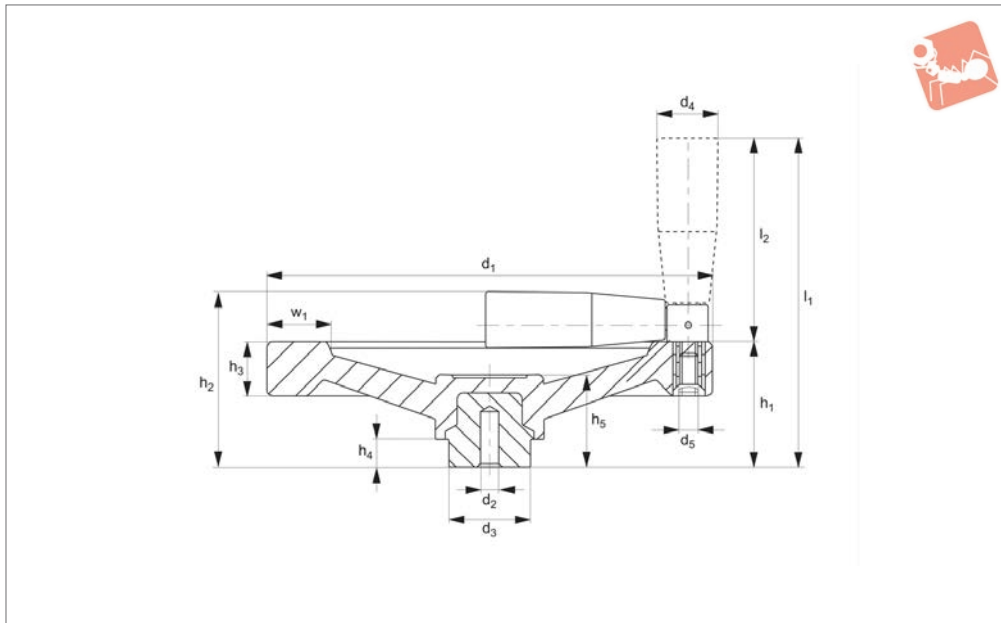
Technical Notes

The pilot hole allows various sizes of holes, keyways etc. to be machined into the hub.

Order No.	d ₁	d ₂	d ₃	d ₄	d ₅	h ₁	h ₂	h ₃	h ₄	l ₁	l ₂	w ₁	Weight g
77620.W0100	100	4	24	21	M 8	35	14	30	21	85	50	16	231
77620.W0125	125	6	32	23	M 8	45	16	36	13	99	55	18	391
77620.W0150	150	6	32	25	M10	48	18	38	13	113	65	20	541
77620.W0200	200	6	40	28	M10	58	21	45	16	143	85	24	969
77620.W0250	250	8	48	28	M10	66	22	50	17	151	85	30	1589
77620.W0300	300	8	58	28	M10	76	24	57	18	161	85	35	2700



Solid Disc Handwheels with fold-away rotating grip



77640

HANDWHEELS

Material

Duroplast, black. Zinc plated steel hub.

Technical Notes

The pilot hole allows various sizes of holes, keyways etc. to be machined into the hub.

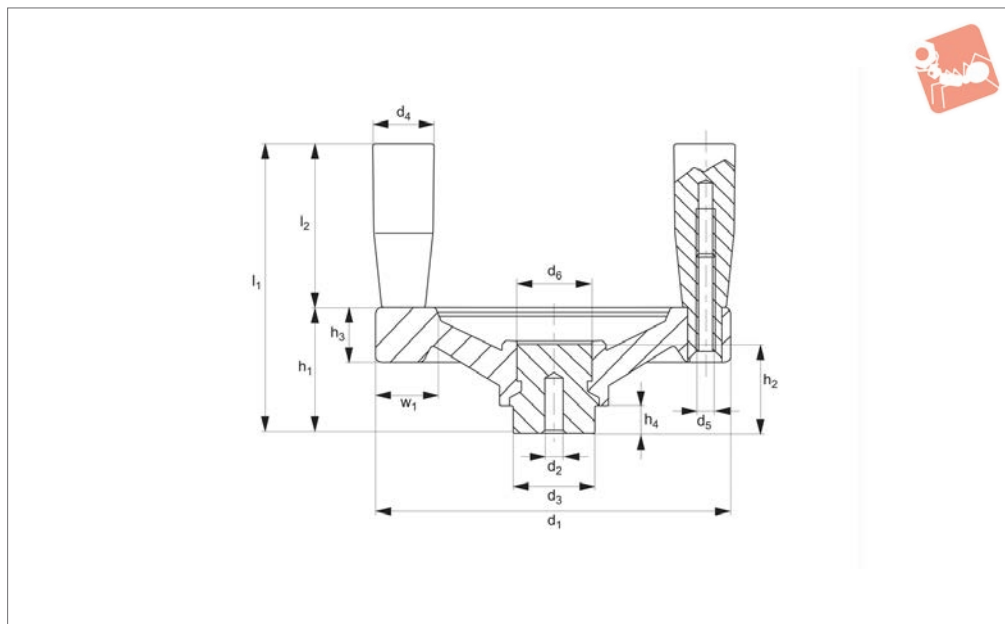
Order No.	d ₁	d ₂	d ₃	d ₄	d ₅	h ₁	h ₂	h ₃	h ₄	h ₅	l ₁	l ₂	w ₁	Weight g
77640.W0100	100	4	24	21	M 5	35	54	14	11	30	102	50	16	251
77640.W0125	125	6	32	23	M 5	44	64	16	13	36	116	55	18	419
77640.W0150	150	6	32	25	M 6	48	69	18	13	38	130	65	20	539
77640.W0200	200	6	40	28	M 6	58	82	21	16	45	163	85	24	992
77640.W0250	250	8	48	28	M 6	66	90	22	17	50	171	85	30	1612
77640.W0300	300	8	58	28	M 6	76	100	24	18	57	181	85	35	2723



HANDWHEELS



77680



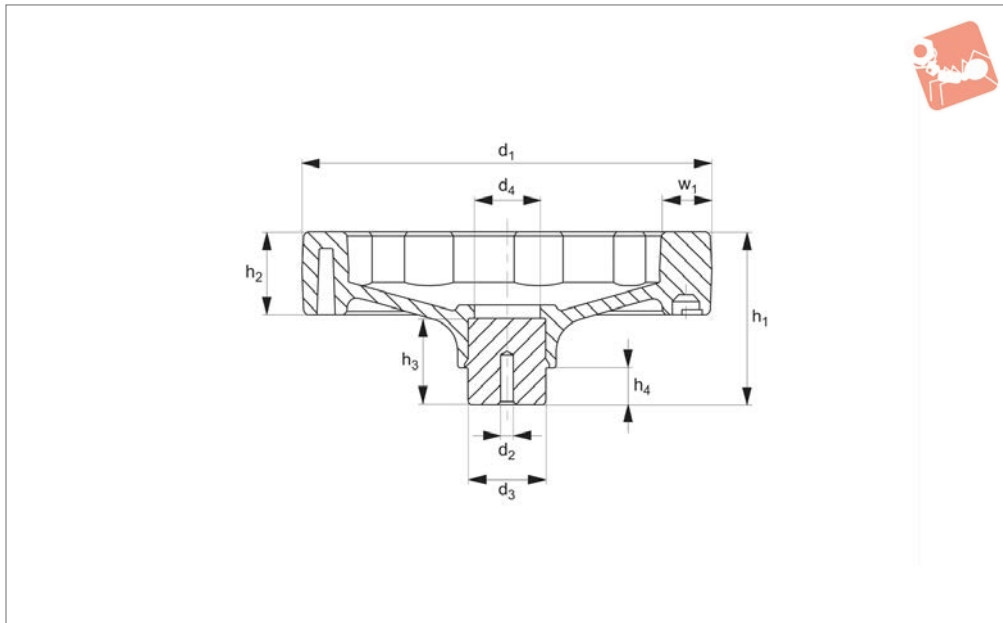
Material

Duroplast, black. Zinc plated steel hub.

Technical Notes

The pilot hole allows various sizes of holes, keyways etc. to be machined into the hub.

Order No.	d ₁	d ₂	d ₃	d ₄	d ₅	d ₆	h ₁	h ₂	h ₃	h ₄	l ₁	l ₂	w ₁	Weight g
77680.W0065	65	4	20	10	M 5	15	28	24	13	13	55	27	13	111
77680.W0080	80	4	20	10	M 6	16	31	27	14	17	71	40	15	155
77680.W0100	100	4	24	11	M 6	20	35	29	14	21	85	50	16	265



77720

HANDWHEELS

Material

Thermoplastic, black, matt. Zinc plated steel hub.

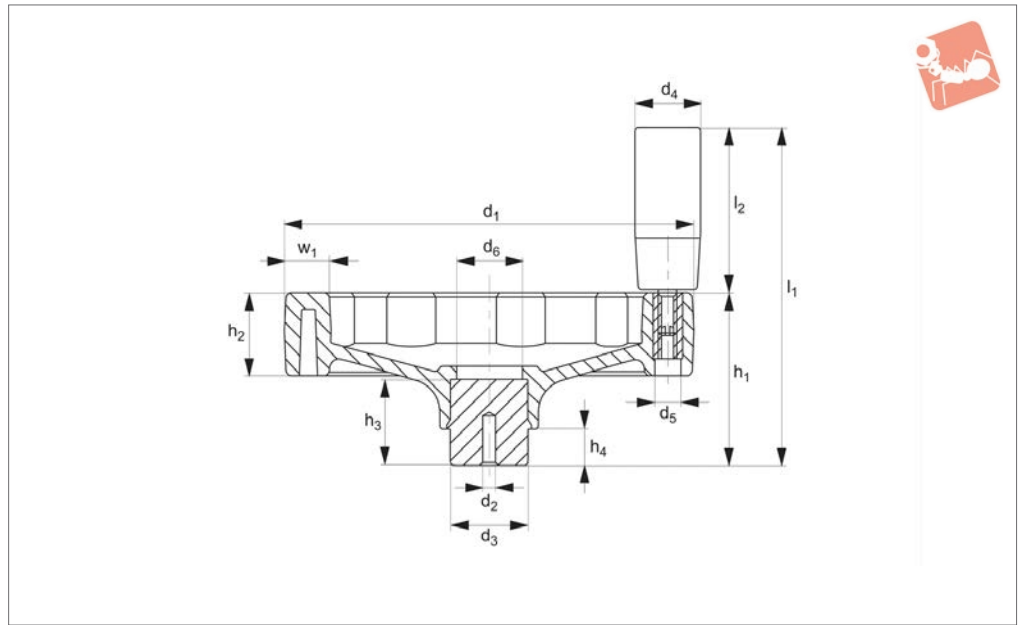
Technical Notes

The pilot hole allows various sizes of holes, keyways etc. to be machined into the hub.

Order No.	d ₁	d ₂	d ₃	d ₄	h ₁	h ₂	h ₃	h ₄	w ₁	Weight g
77720.W0100	100	4	24	18	46	20	24	12	15	174
77720.W0125	125	6	24	20	51	24	28	12	17	248
77720.W0160	160	6	32	30	61	28	31	15	20	460
77720.W0200	200	6	40	35	74	32	40	15	24	863



77740



Material

Thermoplastic, black, matt. Zinc plated steel hub.

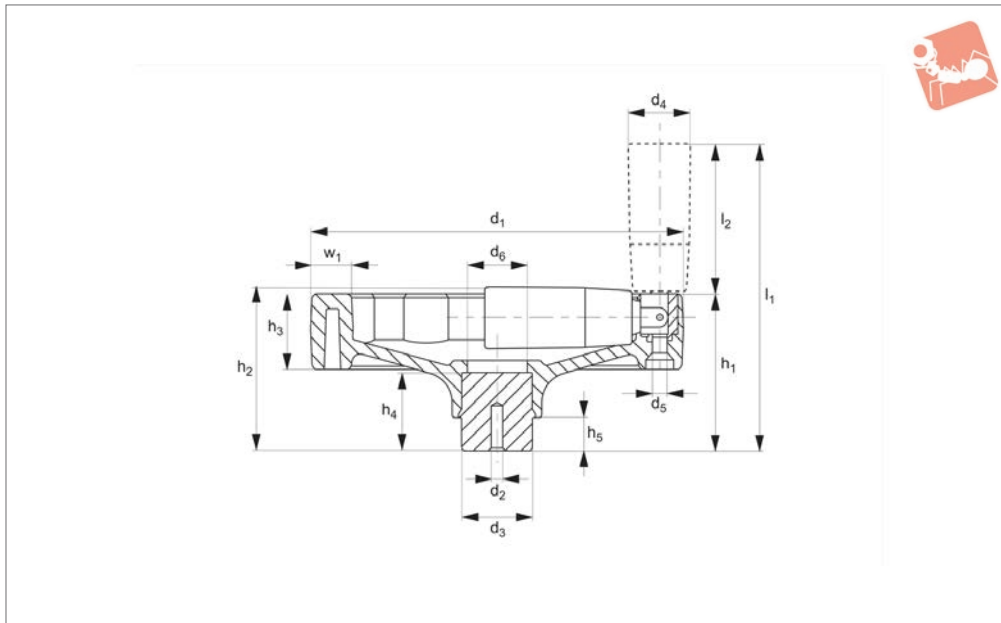
Technical Notes

The pilot hole allows various sizes of holes, keyways etc. to be machined into the hub.

Order No.	d ₁	d ₂	d ₃	d ₄	d ₅	d ₆	h ₁	h ₂	h ₃	h ₄	l ₁	l ₂	w ₁	Weight g
77740.W0100	100	4	24	12	M_6	18	46	20	24	21	96	50	15	196
77740.W0125	125	6	24	12	M_6	20	51	24	28	21	101	50	17	276
77740.W0160	160	6	32	15	M_8	30	61	28	31	23	131	70	20	504
77740.W0200	200	6	40	15	M10	35	74	32	40	26	164	90	24	950



Solid Disc Handwheels with fold-away rotating grip



77760

HANDWHEELS

Material

Thermoplastic, black, matt. Zinc plated steel hub.

Technical Notes

The pilot hole allows various sizes of holes, keyways etc. to be machined into the hub.

Order No.	d ₁	d ₂	d ₃	d ₄	d ₅	d ₆	h ₁	h ₂	h ₃	h ₄	h ₅	l ₁	l ₂	w ₁	Weight g
77760.W0100	100	4	24	21	M_4	18	46	50	20	24	12	98	52	15	213
77760.W0125	125	6	24	21	M_4	20	51	54	24	28	12	103	52	17	284
77760.W0160	160	6	32	23	M_5	30	61	65	28	31	15	133	72	20	507
77760.W0200	200	6	40	26	M_6	35	74	79	32	40	15	166	92	24	950