

79590

PULL HANDLES

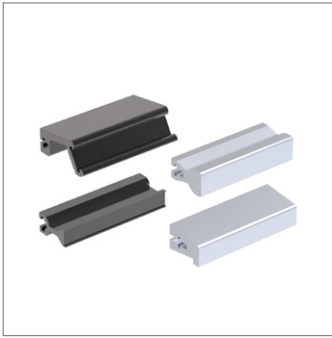
Material

AISI 304 stainless steel, mirror finish.

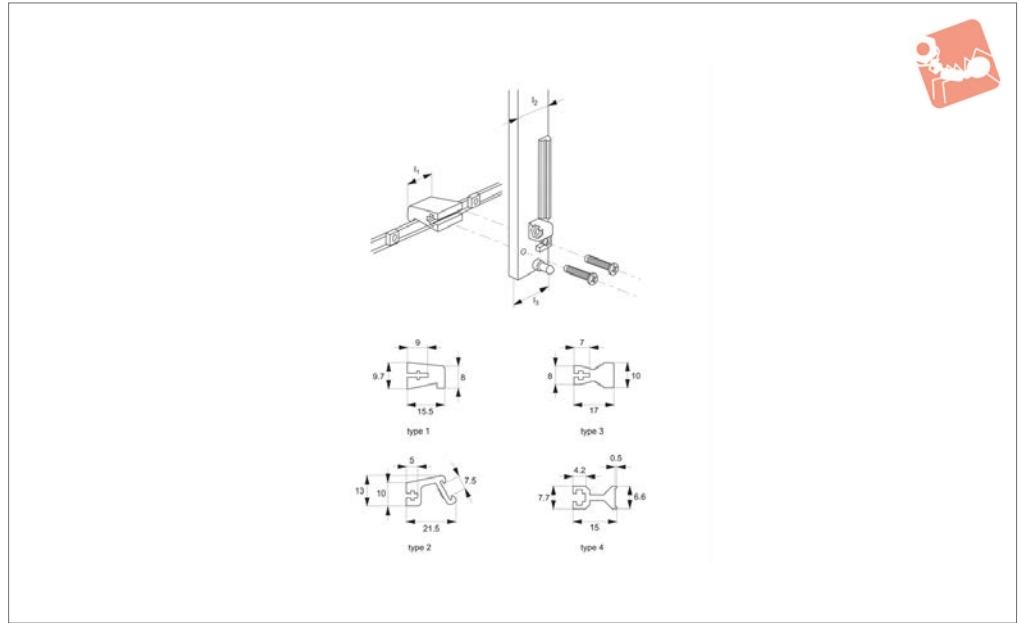
Technical Notes

Supplied with stainless steel screws (3.5x20).

Order No.	l_2	h_1	h_2	h_3	l_1	t_1	Weight g
79590.W0050	50	17	38	8	30	2.5	47
79590.W0070	70	17	38	8	46	2.5	65
79590.W0095	95	18	38	8	65	2.5	90



79600



Material

Profiled aluminium AlMgSi 0,5. Vibration ground and anodised, matt finish.

either M2,5 screw heads (DIN 933) or nuts DIN 935/562 or 934. TE = unit of grid division (grid scale 5,08mm)

Technical Notes

All panel handles have a cross slot to suit

R = TE x 5,08mm. B is approx. R - 0,3mm. L is approx. R - 0,6mm.

Order No.	Type	Colour	l_2	l_1	l_3	Te
79600.W0114-1	One	Natural	15	14.6	15.2	3
79600.W0114-4	One	Black	15	14.6	15.2	3
79600.W0119-1	One	Natural	20.1	19.7	20.3	4
79600.W0119-4	One	Black	20.1	19.7	20.3	4
79600.W0124-1	One	Natural	25.1	24.8	25.4	5
79600.W0124-4	One	Black	25.1	24.8	25.4	5
79600.W0129-1	One	Natural	30.2	29.9	30.5	6
79600.W0129-4	One	Black	30.2	29.9	30.5	6
79600.W0140-1	One	Natural	40.4	40.0	40.6	8
79600.W0140-4	One	Black	40.4	40	40.6	8
79600.W0160-1	One	Natural	60.4	60.3	60.7	12
79600.W0160-4	One	Black	60.4	60.3	60.7	12
79600.W0170-1	One	Natural	70.9	70.5	71.1	14
79600.W0170-4	One	Black	70.9	70.5	71.1	14
79600.W0199-1	One	Natural	101.3	101.0	101.6	20
79600.W0199-4	One	Black	101.3	101.0	101.6	20
79600.W0214-1	Two	Natural	15	14.6	15.2	3
79600.W0214-4	Two	Black	15	14.6	15.2	3
79600.W0219-1	Two	Natural	20.1	19.7	20.3	4
79600.W0219-4	Two	Black	20.1	19.7	20.3	4
79600.W0224-1	Two	Natural	25.1	24.8	25.4	5
79600.W0224-4	Two	Black	25.1	24.8	25.4	5
79600.W0229-1	Two	Natural	30.2	29.9	30.5	6
79600.W0229-4	Two	Black	30.2	29.9	30.5	6
79600.W0240-1	Two	Natural	40.4	40.0	40.6	8
79600.W0240-4	Two	Black	40.4	40	40.6	8
79600.W0260-1	Two	Natural	60.4	60.3	60.7	12
79600.W0260-4	Two	Black	60.4	60.3	60.7	12
79600.W0270-1	Two	Natural	70.9	70.5	71.1	14
79600.W0270-4	Two	Black	70.9	70.5	71.1	14
79600.W0299-1	Two	Natural	101.3	101.0	101.6	20
79600.W0299-4	Two	Black	101.3	101.0	101.6	20
79600.W0314-1	Three	Natural	15	14.6	15.2	3



Panel Handles

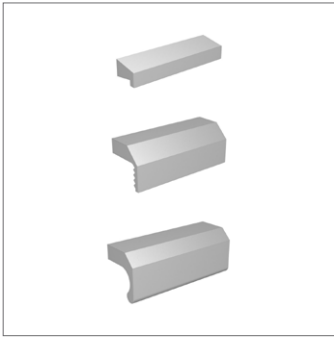
aluminium



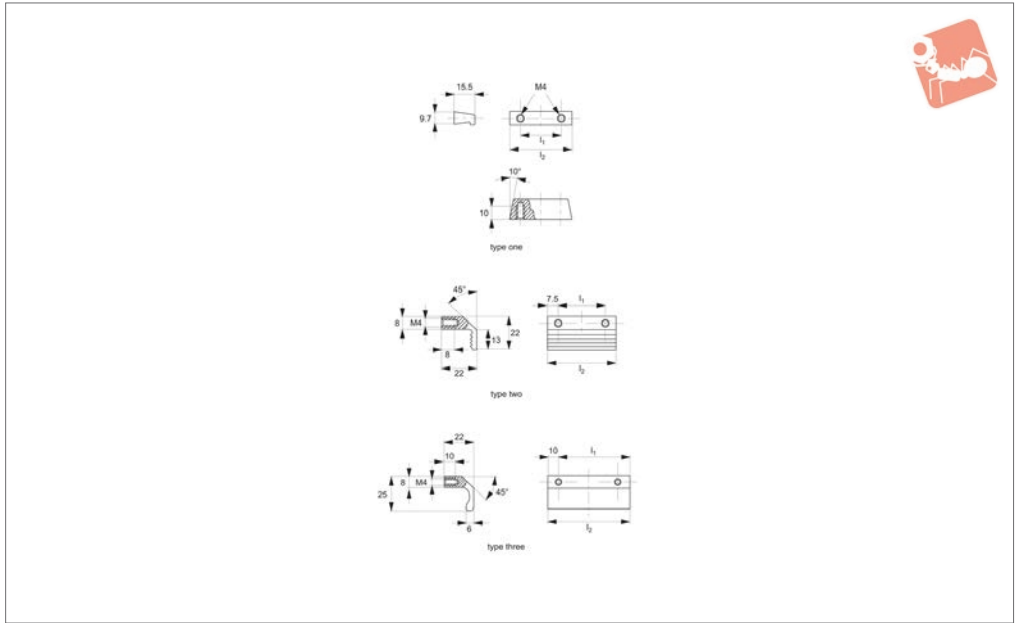
Order No.	Type	Colour	l_2	l_1	l_3	Te
79600.W0314-4	Three	Black	15	14.6	15.2	3
79600.W0319-1	Three	Natural	20.1	19.7	20.3	4
79600.W0319-4	Three	Black	20.1	19.7	20.3	4
79600.W0324-1	Three	Natural	25.1	24.8	25.4	5
79600.W0324-4	Three	Black	25.1	24.8	25.4	5
79600.W0329-1	Three	Natural	30.2	29.9	30.5	6
79600.W0329-4	Three	Black	30.2	29.9	30.5	6
79600.W0340-1	Three	Natural	40.4	40.0	40.6	8
79600.W0340-4	Three	Black	40.4	40	40.6	8
79600.W0360-1	Three	Natural	60.4	60.3	60.7	12
79600.W0360-4	Three	Black	60.4	60.3	60.7	12
79600.W0370-1	Three	Natural	70.9	70.5	71.1	14
79600.W0370-4	Three	Black	70.9	70.5	71.1	14
79600.W0399-1	Three	Natural	101.3	101.0	101.6	20
79600.W0399-4	Three	Black	101.3	101.0	101.6	20
79600.W0414-1	Four	Natural	15	14.6	15.2	3
79600.W0414-4	Four	Black	15	14.6	15.2	3
79600.W0419-1	Four	Natural	20.1	19.7	20.3	4
79600.W0419-4	Four	Black	20.1	19.7	20.3	4
79600.W0424-1	Four	Natural	25.1	24.8	25.4	5
79600.W0424-4	Four	Black	25.1	24.8	25.4	5
79600.W0429-1	Four	Natural	30.2	29.9	30.5	6
79600.W0429-4	Four	Black	30.2	29.9	30.5	6
79600.W0440-1	Four	Natural	40.4	40.0	40.6	8
79600.W0440-4	Four	Black	40.4	40	40.6	8
79600.W0460-1	Four	Natural	60.4	60.3	60.7	12
79600.W0460-4	Four	Black	60.4	60.3	60.7	12
79600.W0470-1	Four	Natural	70.9	70.5	71.1	14
79600.W0470-4	Four	Black	70.9	70.5	71.1	14
79600.W0499-1	Four	Natural	101.3	101.0	101.6	20
79600.W0499-4	Four	Black	101.3	101.0	101.6	20

PULL HANDLES





79610



PULL HANDLES

Material

Profiled aluminium AlMgSi 0.5. Vibration ground, and anodized with a matt finish in natural colour or black.

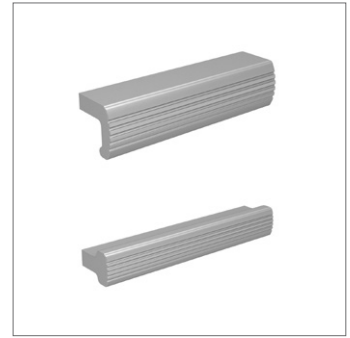
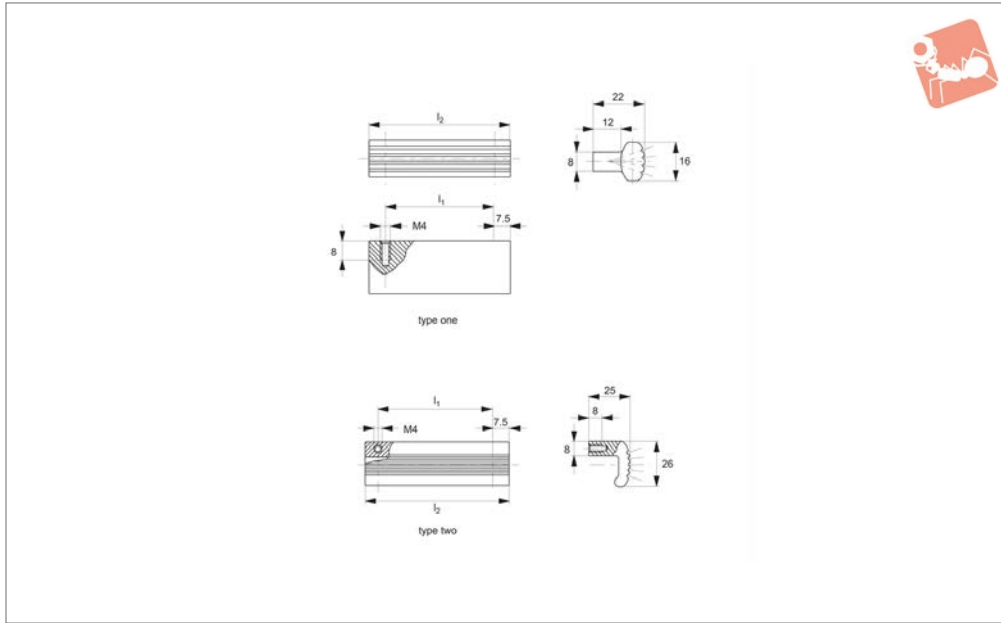
Technical Notes

Minimum stress resistance 200N.

Important Notes

Any other handle lengths available upon request.

Order No.	Type	Colour	l_2	l_1
79610.W0045-1	Type One	Natural	60	45
79610.W0045-4	Type One	Black	60	45
79610.W0070-1	Type One	Natural	85	70
79610.W0070-4	Type One	Black	85	70
79610.W0090-1	Type One	Natural	105	90
79610.W0090-4	Type One	Black	105	90
79610.W0099-1	Type One	Natural	120	105
79610.W0099-4	Type One	Black	120	105
79610.W0145-1	Type Two	Natural	60	45
79610.W0145-4	Type Two	Black	60	45
79610.W0170-1	Type Two	Natural	85	70
79610.W0170-4	Type Two	Black	85	70
79610.W0190-1	Type Two	Natural	105	90
79610.W0190-4	Type Two	Black	105	90
79610.W0199-1	Type Two	Natural	120	105
79610.W0199-4	Type Two	Black	120	105
79610.W0245-1	Type Three	Natural	65	45
79610.W0245-4	Type Three	Black	65	45
79610.W0264-1	Type Three	Natural	84	64
79610.W0264-4	Type Three	Black	84	64
79610.W0270-1	Type Three	Natural	90	70
79610.W0270-4	Type Three	Black	90	70
79610.W0280-1	Type Three	Natural	100	80
79610.W0280-4	Type Three	Black	100	80
79610.W0290-1	Type Three	Natural	110	90
79610.W0290-4	Type Three	Black	110	90



79620

PULL HANDLES

Material

Profiled aluminium AlMgSi 0.5. Vibro-polished and anodized to a matt finish.

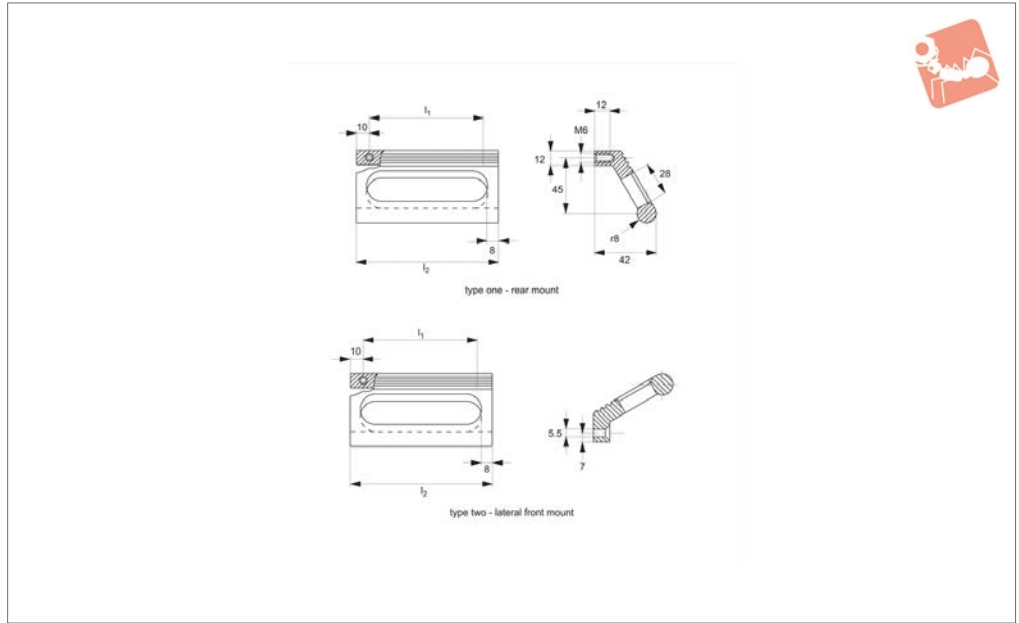
Technical Notes

Minimum stress resistance 200N.

Order No.	Type	Finish	l ₂	l ₁
79620.W0030-1	One	Natural	45	30
79620.W0030-4	One	Black	45	30
79620.W0045-1	One	Natural	60	45
79620.W0045-4	One	Black	60	45
79620.W0070-1	One	Natural	85	70
79620.W0070-4	One	Black	85	70
79620.W0090-1	One	Natural	105	90
79620.W0090-4	One	Black	105	90
79620.W0105-1	One	Natural	120	105
79620.W0105-4	One	Black	120	105
79620.W0120-1	One	Natural	135	120
79620.W0120-4	One	Black	135	120
79620.W0530-1	Two	Natural	45	30
79620.W0530-4	Two	Black	45	30
79620.W0545-1	Two	Natural	60	45
79620.W0545-4	Two	Black	60	45
79620.W0570-1	Two	Natural	85	70
79620.W0570-4	Two	Black	85	70
79620.W0590-1	Two	Natural	105	90
79620.W0590-4	Two	Black	105	90
79620.W0605-1	Two	Natural	120	105
79620.W0605-4	Two	Black	120	105
79620.W0620-1	Two	Natural	135	120
79620.W0620-4	Two	Black	135	120



79630



PULL HANDLES

Material

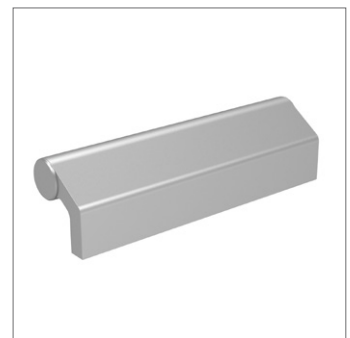
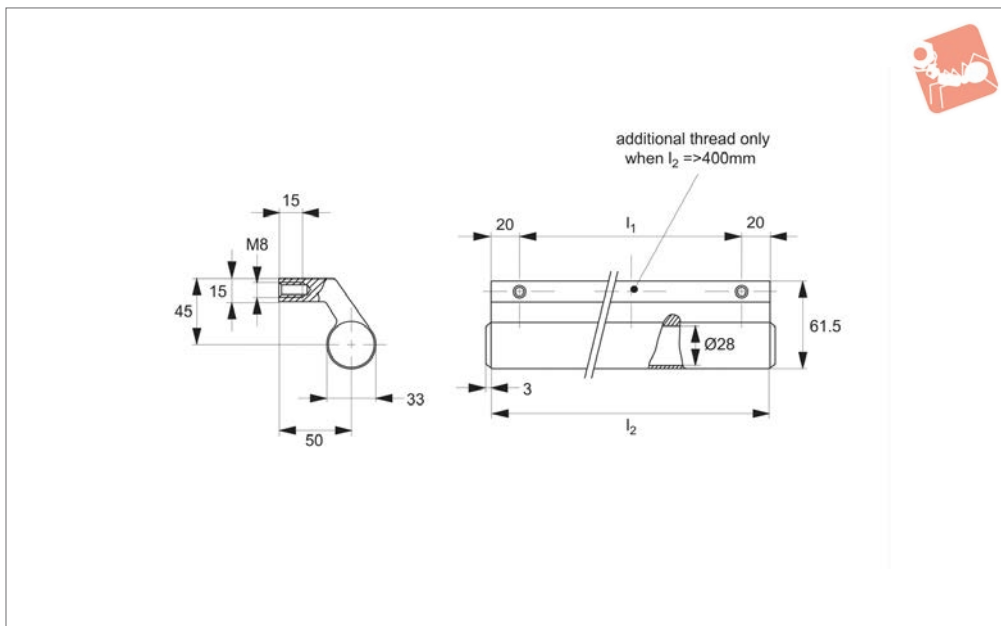
Profile aluminium ALMgSi 0,5. Satin finish anodized in 3 colours.

Technical Notes

Type one: internal thread M 6. Minimum stress resistance 500N.

Type two: through hole for M 5 counter sunk screw, lateral assembly.

Order No.	Type	Finish	l_2	l_1
79630.W0086-1	One	Natural	106	86
79630.W0086-4	One	Black	106	86
79630.W0100-1	One	Natural	120	100
79630.W0100-4	One	Black	120	100
79630.W0120-1	One	Natural	140	120
79630.W0120-4	One	Black	140	120
79630.W0586-1	Two	Natural	106	86
79630.W0586-4	Two	Black	106	86
79630.W0600-1	Two	Natural	120	100
79630.W0600-4	Two	Black	120	100
79630.W0620-1	Two	Natural	140	120
79630.W0620-4	Two	Black	140	120



79650

PULL HANDLES

Material

Handle: aluminium section AlMgSi 0.5.
Semi-gloss anodizing in natural colour or black powder coated with fine structure.
End caps: polyamide, black, with fine-grain

structure.

Technical Notes

Minimum stress resistance >1000N.

Tips

For sliding doors and drawers in machinery and technical plants, also suitable as edge protection.

Order No.	Colour	l_2	l_1
79650.W0110-1	Natural	150	110
79650.W0110-4	Black	150	110
79650.W0160-1	Natural	200	160
79650.W0160-4	Black	200	160
79650.W0210-1	Natural	250	210
79650.W0210-4	Black	250	210
79650.W0260-1	Natural	300	260
79650.W0260-4	Black	300	260
79650.W0310-1	Natural	350	310
79650.W0310-4	Black	350	310
79650.W0360-1	Natural	400	360
79650.W0360-4	Black	400	360
79650.W0460-1	Natural	500	460
79650.W0460-4	Black	500	460
79650.W0560-1	Natural	600	560
79650.W0560-4	Black	600	560