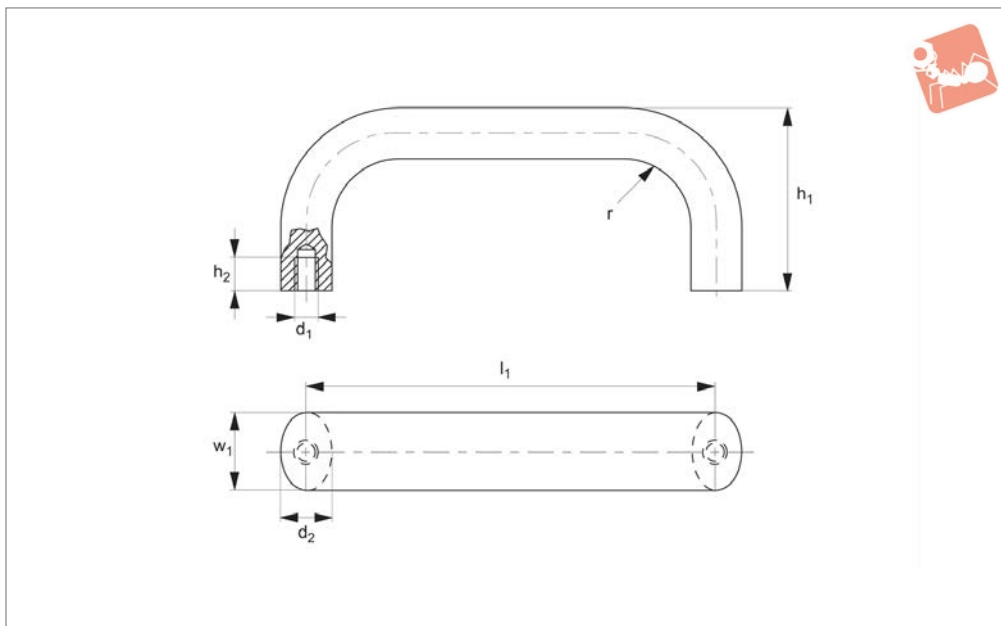




Cabinet Handles

aluminium, rear mounting



78000

PULL HANDLES

Material

Aluminium: plastic coated, black RAL9005
Natural silver anodised, bright.

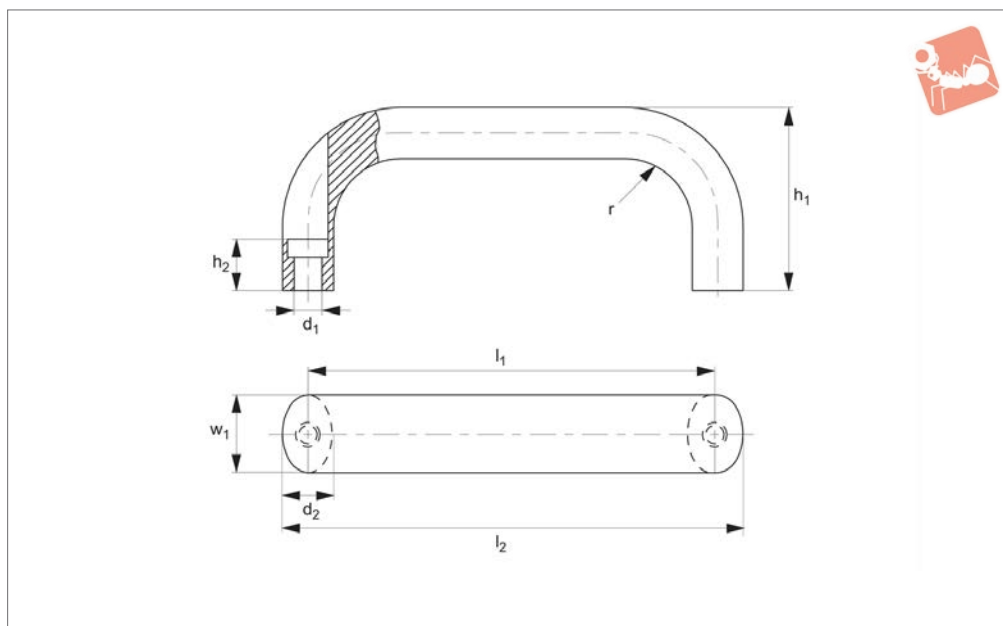
Technical Notes

Ergonomic design offering high stability and smooth surfaces.

Order No.	Colour	l_1	w_1	h_1	d_1	d_2	h_2	R	Weight g
78000.W0010	Black	100	20	47	M 6	13	10	13	92
78000.W0011	Black	112	20	49	M 6	13	10	13	97
78000.W0012	Black	128	20	51	M 6	13	10	13	110
78000.W0013	Black	117	20	49	M 6	13	10	13	100
78000.W0014	Black	120	20	49	M 6	13	10	13	97
78000.W0016	Black	160	20	51	M 6	13	10	13	126
78000.W0111	Black	112	26	53	M 8	17	12	17	165
78000.W0112	Black	128	26	55	M 8	17	12	17	181
78000.W0113	Black	117	26	55	M 8	17	12	17	166
78000.W0114	Black	120	26	55	M 8	17	12	17	200
78000.W0115	Black	125	26	55	M 8	17	12	17	180
78000.W0116	Black	160	26	57	M 8	17	12	17	219
78000.W0117	Black	179	26	57	M 8	17	12	17	234
78000.W0119	Black	192	26	57	M 8	17	12	17	250
78000.W0130	Black	300	26	57	M 8	17	12	17	347
78000.W0140	Black	400	26	57	M 8	17	12	17	445
78000.W0150	Black	500	26	57	M 8	17	12	17	538
78000.W0210	Natural	100	20	47	M 6	13	10	13	92
78000.W0211	Natural	112	20	49	M 6	13	10	13	97
78000.W0212	Natural	128	20	51	M 6	13	10	13	110
78000.W0213	Natural	117	20	49	M 6	13	10	13	100
78000.W0214	Natural	120	20	49	M 6	13	10	13	97
78000.W0216	Natural	160	20	51	M 6	13	10	13	126
78000.W0311	Natural	112	26	53	M 8	17	12	17	165
78000.W0312	Natural	128	26	55	M 8	17	12	17	181
78000.W0313	Natural	117	26	55	M 8	17	12	17	166
78000.W0314	Natural	120	26	55	M 8	17	12	17	200
78000.W0315	Natural	125	26	55	M 8	17	12	17	180
78000.W0316	Natural	160	26	57	M 8	17	12	17	219
78000.W0317	Natural	179	26	57	M 8	17	12	17	234
78000.W0319	Natural	192	26	57	M 8	17	12	17	250
78000.W0330	Natural	300	26	57	M 8	17	12	17	347
78000.W0340	Natural	400	26	57	M 8	17	12	17	445
78000.W0350	Natural	500	26	57	M 8	17	12	17	538



78010



Material

Aluminium: plastic coated, black RAL 9005
Natural silver, bright.

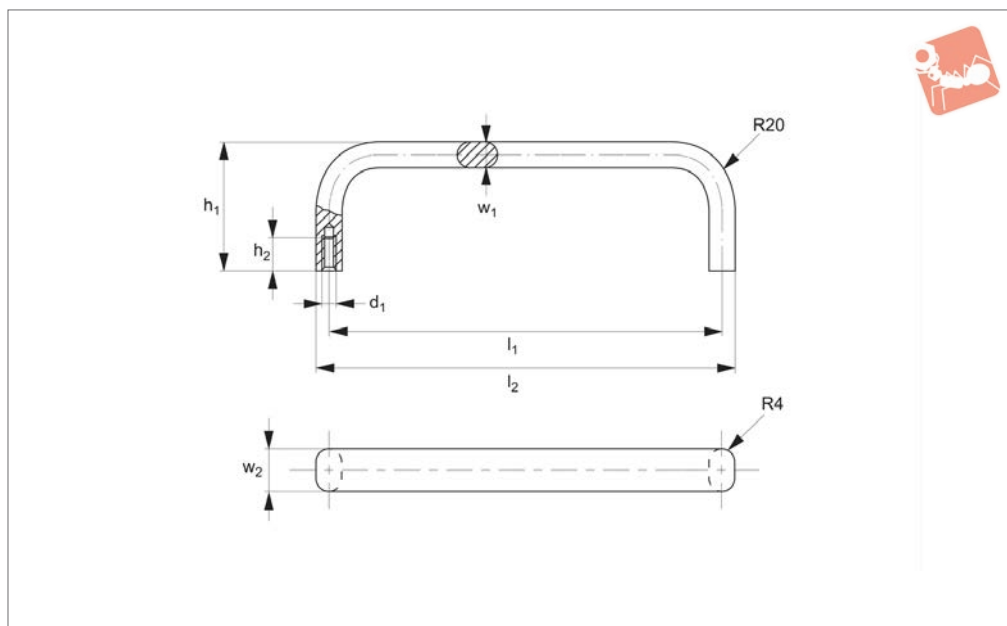
Technical Notes

Ergonomic design offering high stability and smooth surfaces.

Order No.	Colour	l_1	w_1	h_1	d_1	d_2	l_2	h_2	For cylinder screw	r	Weight g
78010.W0100	Black	100	20	49	5.4	13	112	19	M 5	13	80
78010.W0103	Black	112	20	49	5.4	13	124	19	M 5	13	82
78010.W0106	Black	128	20	51	5.4	13	140	19	M 5	13	100
78010.W0109	Black	160	20	51	5.4	13	172	19	M 5	13	100
78010.W0111	Black	116	26	55	6.4	17	130	17	M 6	17	146
78010.W0113	Black	132	26	55	6.4	17	146	17	M 6	17	164
78010.W0116	Black	164	26	57	6.4	17	178	17	M 6	17	206
78010.W0119	Black	196	26	57	6.4	17	210	17	M 6	17	232
78010.W0300	Natural	100	20	49	5.4	13	112	19	M 5	13	80
78010.W0303	Natural	112	20	49	5.4	13	124	19	M 5	13	82
78010.W0306	Natural	128	20	51	5.4	13	140	19	M 5	13	100
78010.W0309	Natural	160	20	51	5.4	13	172	19	M 5	13	100
78010.W0311	Natural	116	26	55	6.4	17	130	17	M 6	17	146
78010.W0313	Natural	132	26	55	6.4	17	146	17	M 6	17	164
78010.W0316	Natural	164	26	57	6.4	17	178	17	M 6	17	206
78010.W0319	Natural	196	26	57	6.4	17	210	17	M 6	17	232
78010.W0511	Stainless	160	20	49	5.4	13	124	19	M5	13	258
78010.W0521	Stainless	128	20	49	5.4	13	140	19	M5	13	293
78010.W0531	Stainless	160	20	51	5.4	13	172	19	M5	13	345



Pull Handles - Oval aluminium



78020

PULL HANDLES

Material

Oval aluminium, Al Mg Si 0,5.

Finish: anodized with matt finish in natural

colour or black.

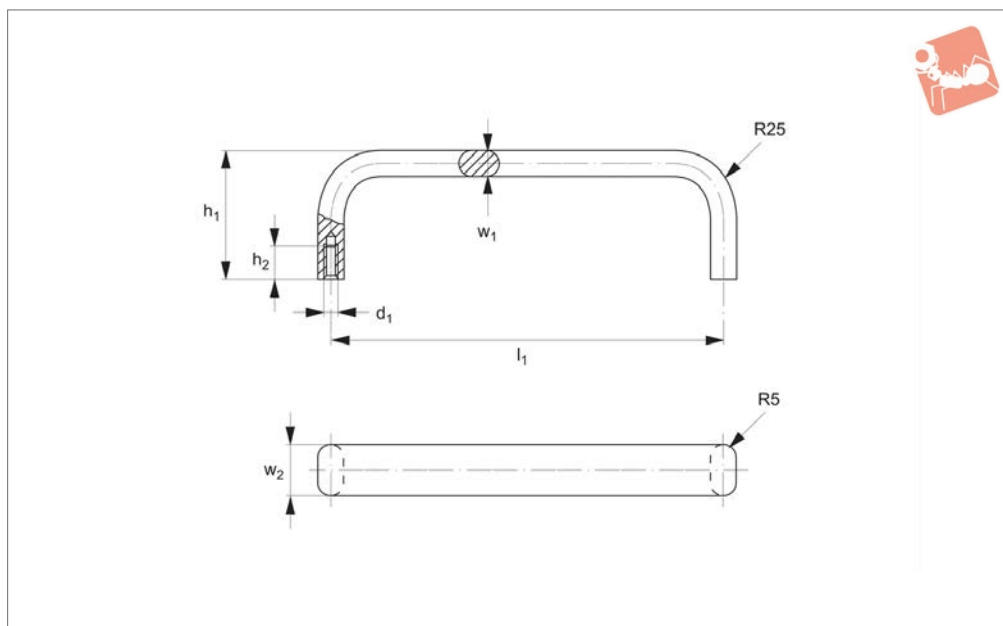
Technical Notes

Minimum stress resistance 500N.

Order No.	Colour	l_1	w_1	h_1	d_1	l_2	h_2	w_2
78020.W0055-1	Natural	55	8	40	M 5	63	10	12
78020.W0055-4	Black	55	8	40	M 5	63	10	12
78020.W0088-1	Natural	88	8	40	M 5	96	10	12
78020.W0088-4	Black	88	8	40	M 5	96	10	12
78020.W0100-1	Natural	100	8	40	M 5	108	10	12
78020.W0100-4	Black	100	8	40	M 5	108	10	12
78020.W0120-1	Natural	120	8	40	M 5	128	10	12
78020.W0120-4	Black	120	8	40	M 5	128	10	12
78020.W0180-1	Natural	180	8	40	M 5	180	10	12
78020.W0180-4	Black	180	8	40	M 5	188	10	12
78020.W0200-1	Natural	200	8	40	M 5	208	10	12
78020.W0200-4	Black	200	8	40	M 5	208	10	12
78020.W0235-1	Natural	235	8	40	M 5	243	10	12
78020.W0235-4	Black	235	8	40	M 5	243	10	12
78020.W0250-1	Natural	250	8	40	M 5	258	10	12
78020.W0250-4	Black	250	8	40	M 5	258	10	12



78030



Material

Flat-oval profiled aluminium AlMgSi 0.5.
Finish: ground and anodized with a matte

finish in natural or black colour.

Technical Notes

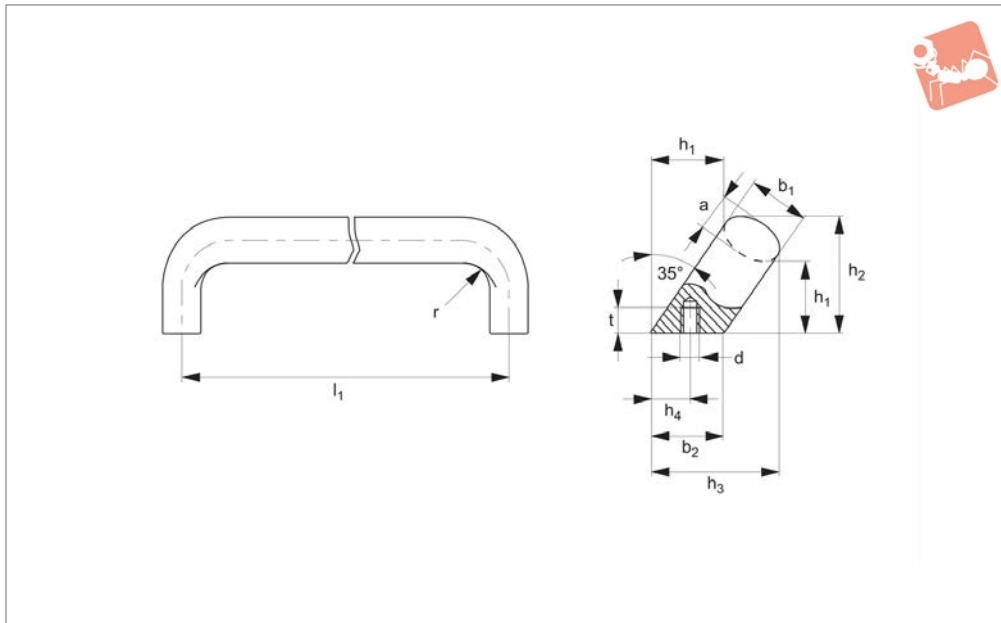
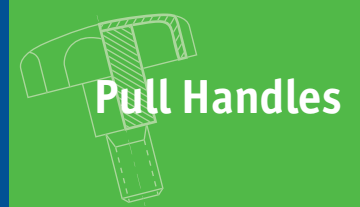
Minimum stress resistance 500N. Suitable

for engineering, instrument and apparatus building.

Order No.	Colour	l_1	w_1	h_1	d_1	h_2	w_2
78030.W0120-1	Natural	120	10	45	5	10	20
78030.W0120-4	Black	120	10	45	5	10	20
78030.W0140-1	Natural	140	10	45	5	10	20
78030.W0140-4	Black	140	10	45	5	10	20
78030.W0180-1	Natural	180	10	45	5	10	20
78030.W0180-4	Black	180	10	45	5	10	20
78030.W0200-1	Natural	200	10	45	5	10	20
78030.W0200-4	Black	200	10	45	5	10	20
78030.W0350-1	Natural	350	10	45	6	12	20
78030.W0350-4	Black	350	10	45	6	12	20



Cabinet Handles angled



78040

PULL HANDLES

Material

Aluminium: natural silver - matt anodized, or plastic coated. Black - RAL 9005, matte,

textured finish.

Technical Notes

These handles feature modern and ergo-

nomistic styling for a sure and comfortable grip. Handle inclined 35°.

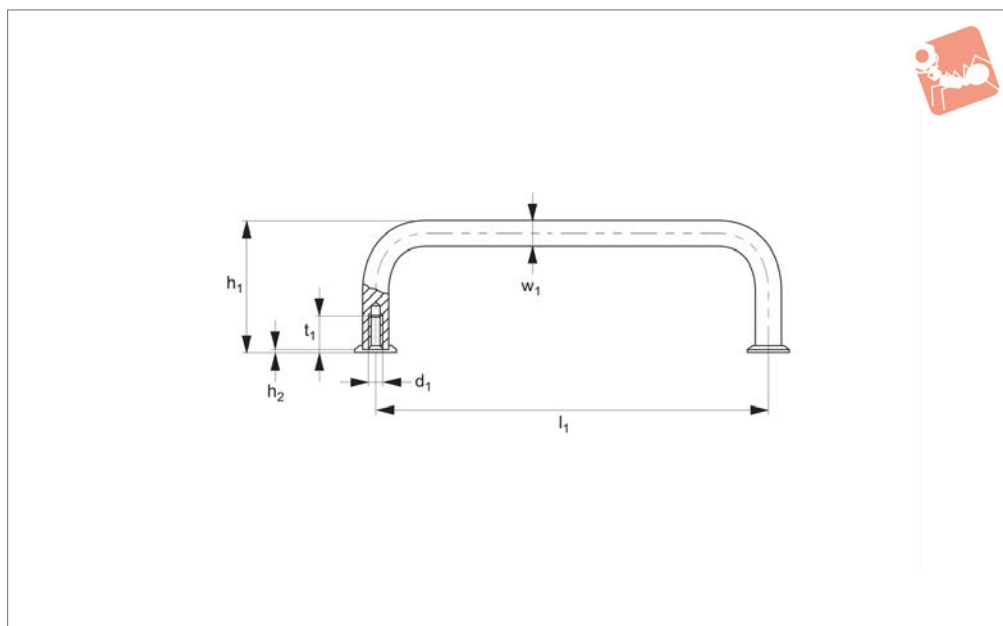
Order No.	Finish	l ₁	b ₁	h ₁	a	h ₂	b ₂	d	t min.	h ₃	R	h ₄ +1	Weight g
78040.W0004	Black	112	20	32	13	48	24	M_6	10	50	13	13.5	105
78040.W0006	Black	128	20	32	13	48	24	M_6	10	50	13	13.5	110
78040.W0008	Black	128	26	34	17	54	32	M_8	12	57	17	18.0	195
78040.W0018	Black	160	26	34	17	54	32	M_8	12	57	17	18.0	220
78040.W0104	Natural	112	20	32	13	48	24	M_6	10	50	13	13.5	99
78040.W0106	Natural	128	20	32	13	48	24	M_6	10	50	13	13.5	112
78040.W0108	Natural	128	26	34	17	54	32	M_8	12	57	17	18.0	190
78040.W0118	Natural	160	26	34	17	54	32	M_8	12	57	17	18.0	222



PULL HANDLES



78050



Material

Round bar aluminium dia. 10mm. Al Mg Si 0,5.

Finish: anodized with matt finish in natural colour or black.

Technical Notes

Minimum stress resistance 500N.

Order No.	Colour	l_1	w_1	h_1	d_1	t_1	h_2
78050.W0055-1	Natural	55	10	41	M 5	10	1
78050.W0055-4	Black	55	10	41	M 5	10	1
78050.W0088-1	Natural	88	10	41	M 5	10	1
78050.W0088-4	Black	88	10	41	M 5	10	1
78050.W0100-1	Natural	100	10	41	M 5	10	1
78050.W0100-4	Black	100	10	41	M 5	10	1
78050.W0120-1	Natural	120	10	41	M 5	10	1
78050.W0120-4	Black	120	10	41	M 5	10	1
78050.W0180-1	Natural	180	10	41	M 5	10	1
78050.W0180-4	Black	180	10	41	M 5	10	1
78050.W0200-1	Natural	200	10	41	M 5	10	1
78050.W0200-4	Black	200	10	41	M 5	10	1
78050.W0235-1	Natural	235	10	41	M 5	10	1
78050.W0235-4	Black	235	10	41	M 5	10	1
78050.W0250-1	Natural	250	10	41	M 5	10	1
78050.W0250-4	Black	250	10	41	M 5	10	1



Pull Handles - Tubular aluminium



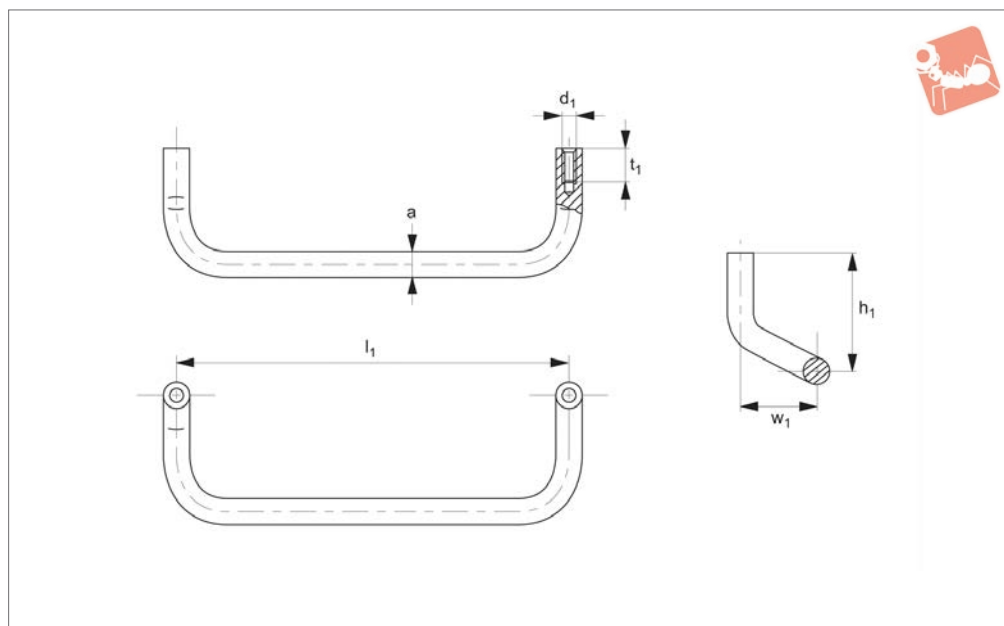
Pull Handles



PULL HANDLES



78070



Material

Round aluminium bar, Al Mg Si 0,5. Finish: vibration ground, and anodized with a matt

finish in natural or black colour.

Technical Notes

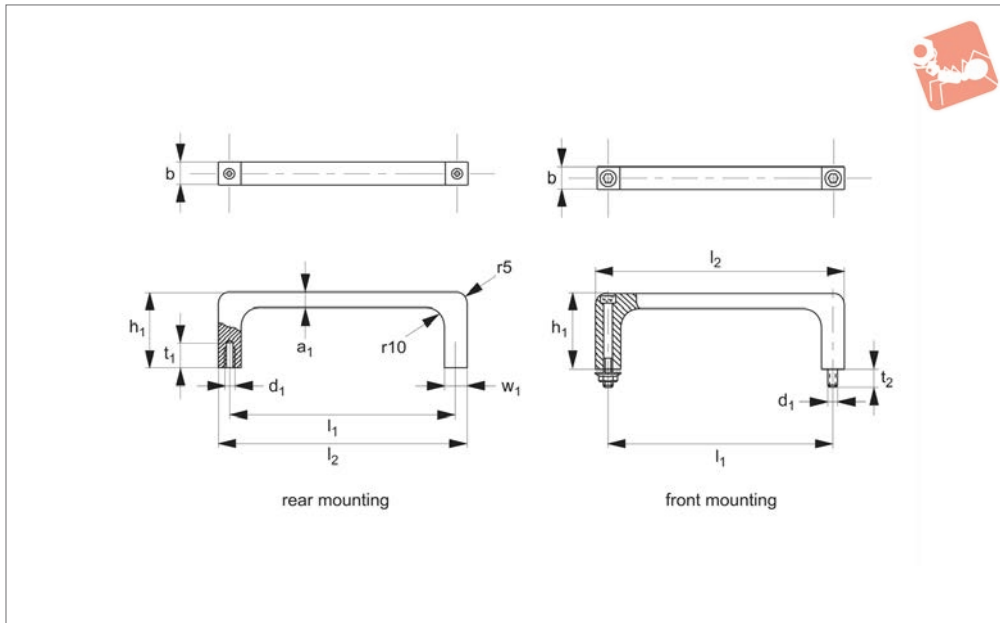
Minimum stress resistance 500N.

Order No.	Finish	l_1	w_1	h_1	d_1	t_1	a
78070.W0086-1	Natural	86	30	40	M 5	10	10
78070.W0086-4	Black	86	30	40	M 5	10	10
78070.W0120-1	Natural	120	30	40	M 5	10	10
78070.W0120-4	Black	120	30	40	M 5	10	10
78070.W0180-1	Natural	180	30	40	M 5	10	10
78070.W0180-4	Black	180	30	40	M 5	10	10



Pull Handles - Aluminium

for 19" drawers and instrument panels



78120

PULL HANDLES

Material

Profile aluminium AL Mg Si 0,5.
Finish: vibration ground and anodized to a matt finish in natural or black colour.

Stainless steel hexagon screws to DIN 912, with self locking nuts, are supplied for front mounting type.

Technical Notes

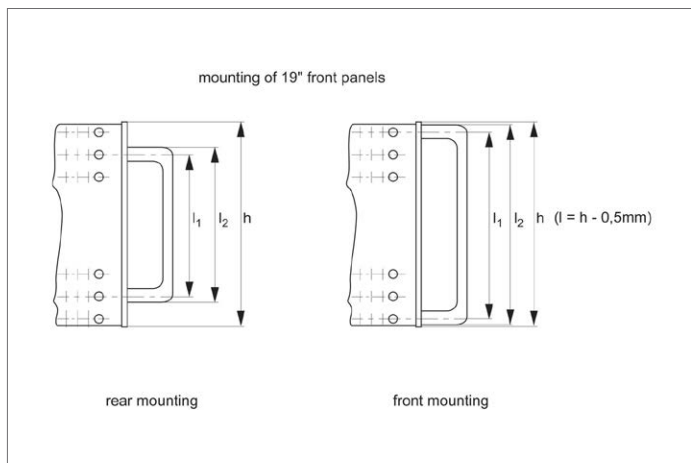
Minimum stress resistance 500N.

Order No.	Finish	Type	l ₁	w ₁	b ₁	h ₁	d ₁	l ₂	h height of front panel	t ₁	Mounting type	a ₁	t ₂
78120.W0005-1	Natural	Rear Mounting	55.0	12	12	40	M 5	67.0	88.1	10	1	8	9
78120.W0008-1	Natural	Rear Mounting	88.0	12	12	40	M 5	100.	132.5	10	1	8	9
78120.W0012-1	Natural	Rear Mounting	120.0	12	12	40	M 5	132.0	177.0	10	1	8	9
78120.W0018-1	Natural	Rear Mounting	180.0	12	12	40	M 5	192.0	221.5	10	1	8	9
78120.W0023-1	Natural	Rear Mounting	235.0	12	12	40	M 5	247.0	266.0	10	1	8	9
78120.W0505-1	Natural	Rear Mounting	32.0	12	12	40	M 5	43.5	44.0	10	2	8	9
78120.W0508-1	Natural	Rear Mounting	75.5	12	12	40	M 5	87.5	88.1	10	2	8	9
78120.W0512-1	Natural	Rear Mounting	120.0	12	12	40	M 5	132.0	132.5	10	2	8	9
78120.W0523-1	Natural	Rear Mounting	253.5	12	12	40	M 5	265.5	266.0	10	2	8	9
78120.W0005-4	Black	Rear Mounting	55.0	12	12	40	M 5	67.0	88.1	10	1	8	9
78120.W0008-4	Black	Rear Mounting	88.0	12	12	40	M 5	100.0	132.5	10	1	8	9
78120.W0012-4	Black	Rear Mounting	120.0	12	12	40	M 5	132.0	177.0	10	1	8	9
78120.W0018-4	Black	Rear Mounting	180.0	12	12	40	M 5	192.0	221.5	10	1	8	9
78120.W0023-4	Black	Rear Mounting	235.0	12	12	40	M 5	247.0	266.0	10	1	8	9
78120.W0505-4	Black	Rear Mounting	32.0	12	12	40	M 5	43.5	44.0	10	2	8	9
78120.W0508-4	Black	Rear Mounting	75.5	12	12	40	M 5	87.5	88.1	10	2	8	9
78120.W0512-4	Black	Rear Mounting	120.0	12	12	40	M 5	132.0	132.5	10	2	8	9
78120.W0523-4	Black	Rear Mounting	253.5	12	12	40	M 5	265.5	266.0	10	2	8	9
78120.W0105-1	Natural	Front Mounting	55.0	12	12	40	M 5	67.0	88.1	10	1	8	9
78120.W0108-1	Natural	Front Mounting	88.0	12	12	40	M 5	100.	132.5	10	1	8	9
78120.W0112-1	Natural	Front Mounting	120.0	12	12	40	M 5	132.0	177.0	10	1	8	9
78120.W0118-1	Natural	Front Mounting	180.0	12	12	40	M 5	192.0	221.5	10	1	8	9
78120.W0123-1	Natural	Front Mounting	235.0	12	12	40	M 5	247.0	266.0	10	1	8	9
78120.W0605-1	Natural	Front Mounting	32.0	12	12	40	M 5	43.5	44.0	10	2	8	9
78120.W0608-1	Natural	Front Mounting	75.5	12	12	40	M 5	87.5	88.1	10	2	8	9
78120.W0612-1	Natural	Front Mounting	120.0	12	12	40	M 5	132.0	132.5	10	2	8	9
78120.W0623-1	Natural	Front Mounting	253.5	12	12	40	M 5	265.5	266.0	10	2	8	9
78120.W0105-4	Black	Front Mounting	55.0	12	12	40	M 5	67.0	88.1	10	1	8	9
78120.W0108-4	Black	Front Mounting	88.0	12	12	40	M 5	100.0	132.5	10	1	8	9
78120.W0112-4	Black	Front Mounting	120.0	12	12	40	M 5	132.0	177.0	10	1	8	9
78120.W0118-4	Black	Front Mounting	180.0	12	12	40	M 5	192.0	221.5	10	1	8	9
78120.W0123-4	Black	Front Mounting	235.0	12	12	40	M 5	247.0	266.0	10	1	8	9
78120.W0605-4	Black	Front Mounting	32.0	12	12	40	M 5	43.5	44.0	10	2	8	9
78120.W0608-4	Black	Front Mounting	75.5	12	12	40	M 5	87.5	88.1	10	2	8	9
78120.W0612-4	Black	Front Mounting	120.0	12	12	40	M 5	132.0	132.5	10	2	8	9



Order No.	Finish	Type	l_1	w_1	b_1	h_1	d_1	l_2	h height of front panel	t_1	Mounting type	a_1	t_2
78120.W0623-4	Black	Front Mounting	253.5	12	12	40	M 5	265.5	266.0	10	2	8	9

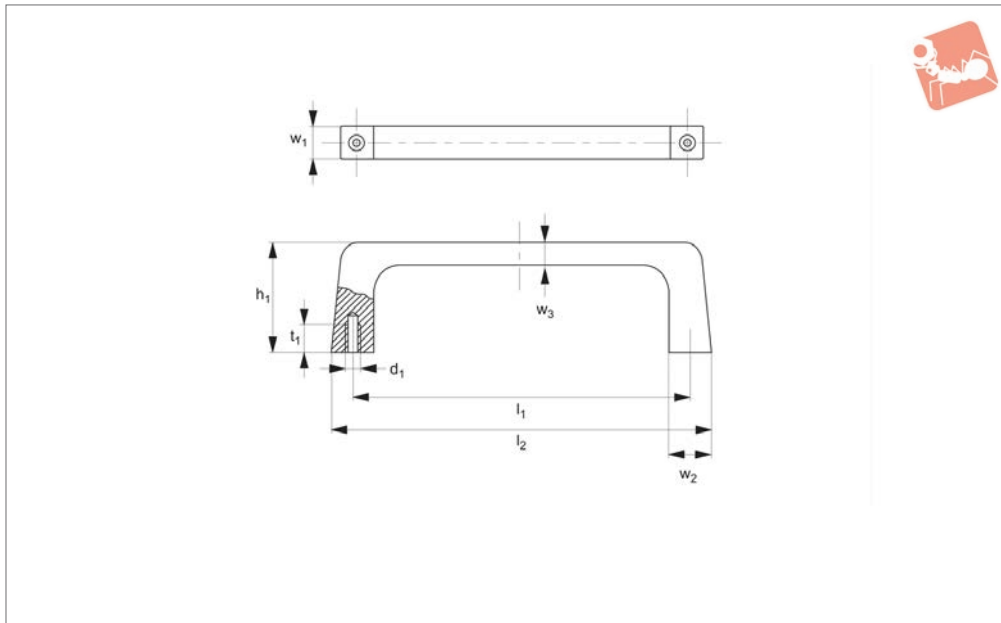
PULL HANDLES





Pull Handles - Aluminium

for 19" drawers and instrument panels



78130

PULL HANDLES

Material

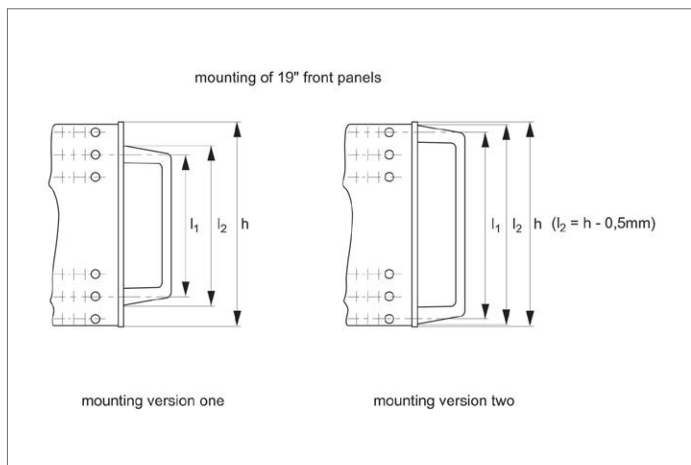
Cut profiled aluminium AIMgSi 0.5.
Finish: anodized with a matt finish in

natural colour or black.

Technical Notes

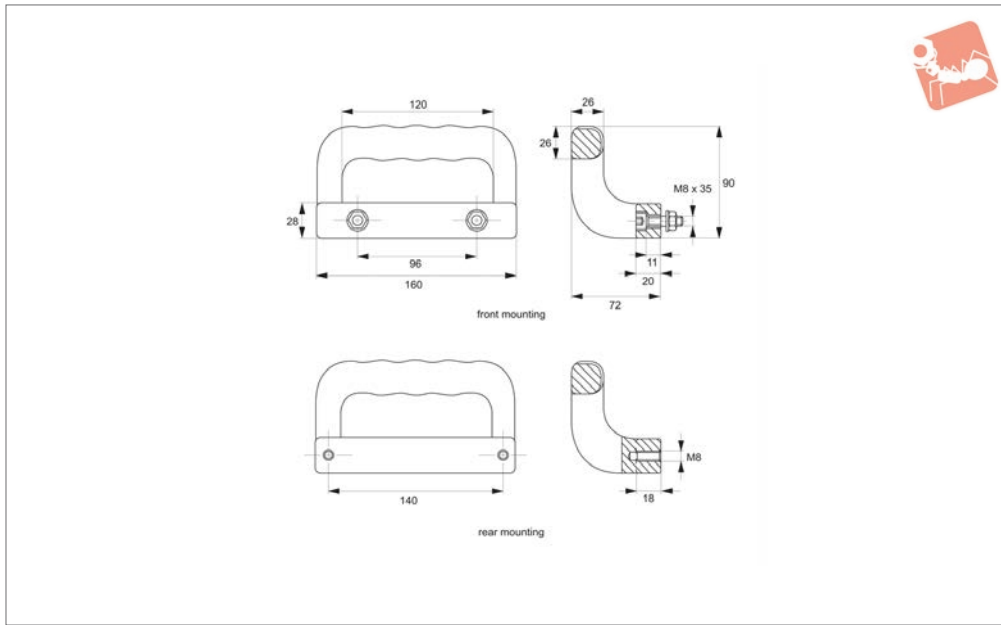
Minimum stress resistance 500N.

Order No.	Colour	l_1	w_1	h_1	d_1	l_2	t_1	w_2	w_3	Suitable mounting	Version	Height of front panel h
78130.W0025-1	Natural	25.0	12	40	M 5	40.0	10	12	5	1	1	44.0
78130.W0025-4	Black	25.0	12	40	M 5	40.0	10	12	5	1	1	44.0
78130.W0055-1	Natural	55.0	12	40	M 5	69.0	10	12	8	1	1	88.1
78130.W0055-4	Black	55.0	12	40	M 5	69.0	10	12	8	1	1	88.1
78130.W0088-1	Natural	88.0	12	40	M 5	102.0	10	12	8	1	1	132.5
78130.W0088-4	Black	88.0	12	40	M 5	102.0	10	12	8	1	1	132.5
78130.W0120-1	Natural	120.0	12	40	M 5	134.0	10	12	8	1	1	177.0
78130.W0120-4	Black	120.0	12	40	M 5	134.0	10	12	8	1	1	177.0
78130.W0133-1	Natural	133.4	12	40	M 5	146.5	10	12	8	-	-	-
78130.W0133-4	Black	133.4	12	40	M 5	146.5	10	12	8	-	-	-
78130.W0177-1	Natural	177.8	12	40	M 5	191.0	10	12	8	-	-	-
78130.W0177-4	Black	177.8	12	40	M 5	191.0	10	12	8	-	-	-
78130.W0180-1	Natural	180.0	12	40	M 5	194.0	10	12	8	1	1	221.5
78130.W0180-4	Black	180.0	12	40	M 5	194.0	10	12	8	1	1	221.5
78130.W0235-1	Natural	235.0	12	40	M 5	249.0	10	12	8	1	1	266.0
78130.W0235-4	Black	235.0	12	40	M 5	249.0	10	12	8	1	1	266.0
78130.W0251-1	Natural	251.5	12	40	M 5	265.5	10	12	8	2	2	266.0
78130.W0251-4	Black	251.5	12	40	M 5	265.5	10	12	8	2	2	266.0
78130.W0588-1	Natural	88.0	12	46	M 5	102.0	10	12	8	1	1	132.5
78130.W0588-4	Black	88.0	12	46	M 5	102.0	10	12	8	1	1	132.5
78130.W0620-1	Natural	120.0	12	46	M 5	132.0	10	12	8	2	2	132.5
78130.W0620-4	Black	120.0	12	46	M 5	132.0	10	12	8	2	2	132.5





Pull Handles - Cranked, Heavy Duty aluminium



78180

PULL HANDLES

Material

Die cast aluminium AlSiCu 12.
Finish: vibration ground and black powder coated, semi-matt.

Technical Notes

Front mounting version comes with stainless steel hexagon socket head cap screw
DIN M 8x35, nuts DIN 934 and washers

DIN125.

Stress resistance: 1000N.

Order No.
78180.W0096
78180.W0140

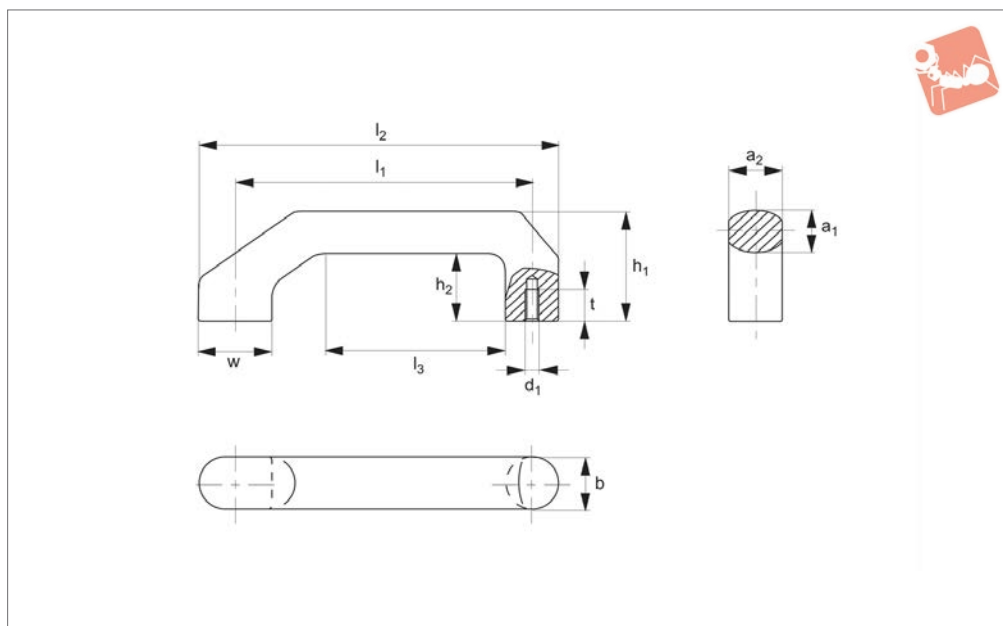
Type
Front Mounting
Rear Mounting



PULL HANDLES



78200



Material

Die cast aluminium AlMg3.
Finish: vibration ground, raw or black

powder coated, semi-matt.

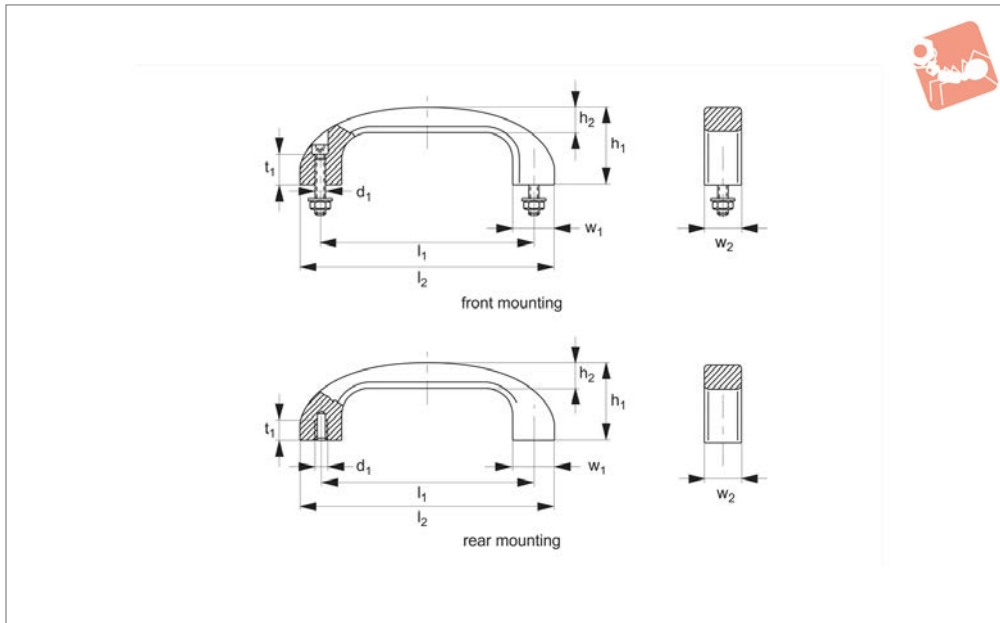
Technical Notes

Stress resistance: min. 500N.

Order No.	Finish	l_1	h_1	d_1	l_2	h_2	l_3	t	a_1	a_2	w	b
78200.W0140-1	Natural	140	52	M 6	170	32	89	15	20	25	35	25
78200.W0140-4	Black	140	52	M 6	170	32	89	15	20	25	35	25



Pull Handles - Bow type aluminium



78210

PULL HANDLES

Material

Aluminium section AlMgSi 0.5. Finish: anodized in a special quality glass ball blasted, satin finish.

Technical Notes

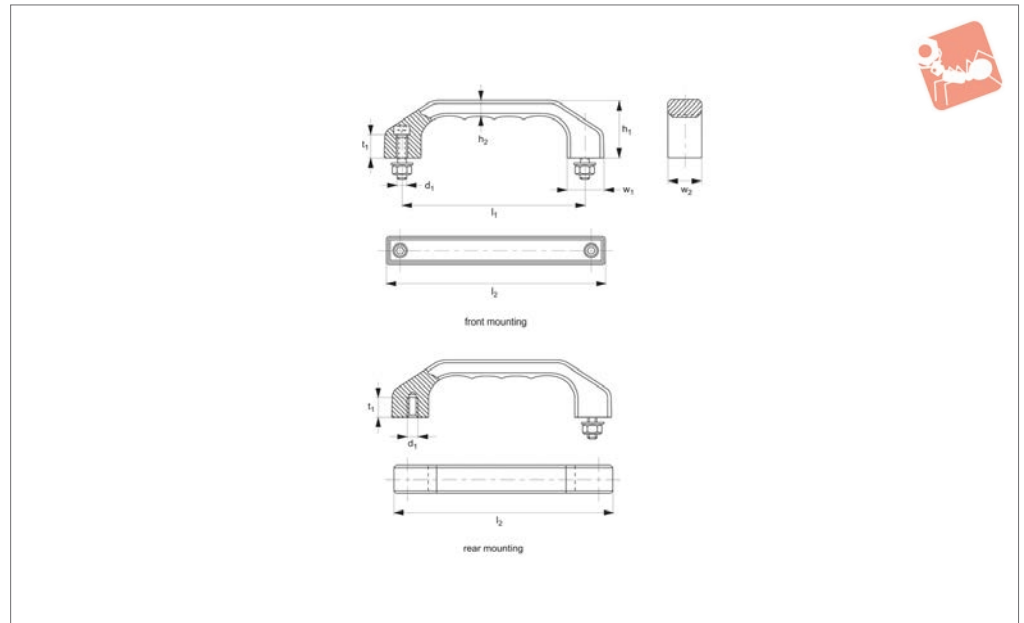
Minimum stress resistance <1000N.
Front mounted version supplied with cheese head screws (with hex socket) DIN

912, nuts DIN 934 and washer DIN125 - made of made os stainless steel.

Order No.	Colour	Type	l_1	w_1	h_1	d_1	l_2	t_1	h_2	w_2
78210.W0120-1	Natural	Rear Mounting	120	24	46	M 6	144	12	15	22
78210.W0120-4	Black	Rear Mounting	120	24	46	M 6	144	12	15	22
78210.W0140-1	Natural	Rear Mounting	140	28	53	M 8	168	12	17	25
78210.W0140-4	Black	Rear Mounting	140	28	53	M 8	168	12	17	25
78210.W0220-1	Natural	Front Mounting	120	24	46	M 6x25	144	15	15	22
78210.W0220-4	Black	Front Mounting	120	24	46	M 6x25	144	15	15	22
78210.W0240-1	Natural	Front Mounting	140	28	53	M 8x30	168	15	17	25
78210.W0240-4	Black	Front Mounting	140	28	53	M 8x30	168	15	17	25



78240



Material

Aluminium section AlMgSi 0.5. Finish: anodized in a special quality, glass ball blasted, satin finish. RHL 9002, grey,

white.

design. Minimum stress resistance >1000N.

Technical Notes

Solid aluminium handles in industrial

Order No.	Colour	Type	l_1	w_1	h_1	d_1	l_2	t_1	h_2	w_2
78240.W0120-1	Natural	Rear Mounting	120	24	39	M 6	146	12	10.5	22
78240.W0120-4	Black	Rear Mounting	120	24	39	M 6	146	12	10.5	22
78240.W0140-1	Natural	Rear Mounting	140	28	45	M 8	170	15	12.0	25
78240.W0140-4	Black	Rear Mounting	140	28	45	M 8	170	15	12.0	25
78240.W0160-1	Natural	Rear Mounting	160	32	52	M 8	194	15	13.5	28
78240.W0160-4	Black	Rear Mounting	160	32	52	M 8	194	15	13.5	28
78240.W0220-1	Natural	Front Mounting	120	24	39	M 6	146	12	10.5	22
78240.W0220-4	Black	Front Mounting	120	24	39	M 6	146	12	10.5	22
78240.W0240-1	Natural	Front Mounting	140	28	45	M 8	170	15	12.0	25
78240.W0240-4	Black	Front Mounting	140	28	45	M 8	170	15	12.0	25
78240.W0260-1	Natural	Front Mounting	160	32	52	M 8	194	15	13.5	28
78240.W0260-4	Black	Front Mounting	160	32	52	M 8	194	15	13.5	28