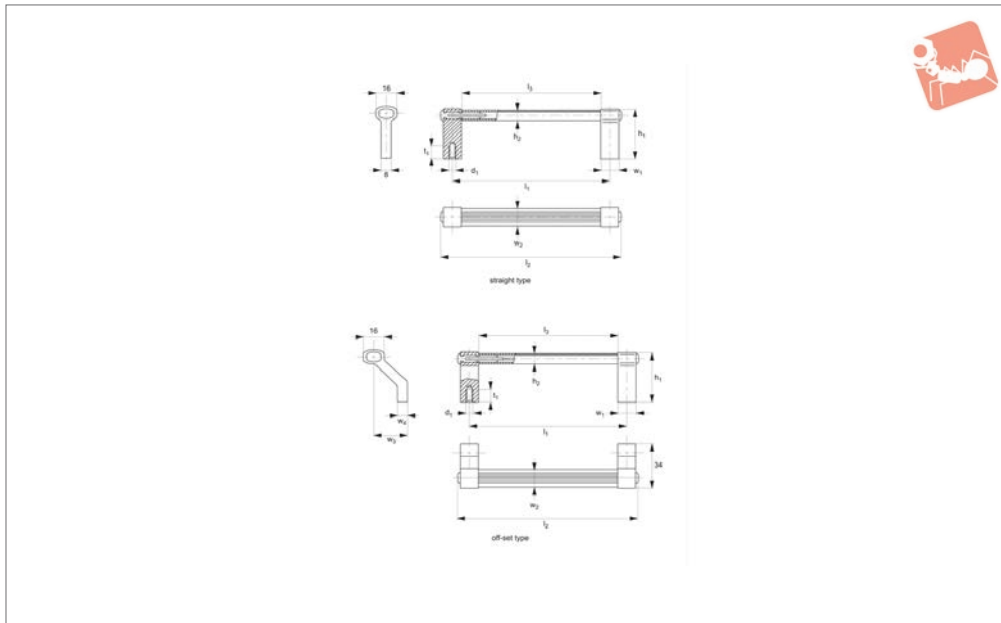




Pull Handles - Heavy Duty aluminium



79200

PULL HANDLES

Material

Handle shank and grip: profiled aluminium Al Mg Si 0,5. Connecting moulded components made of black polyamide with stainless steel pin.
Handle shank vibration ground and matte

finished. Grip

Technical Notes

Minimum stress resistance 1000N. Handle with tangent bent aluminium shanks, completely assembled.

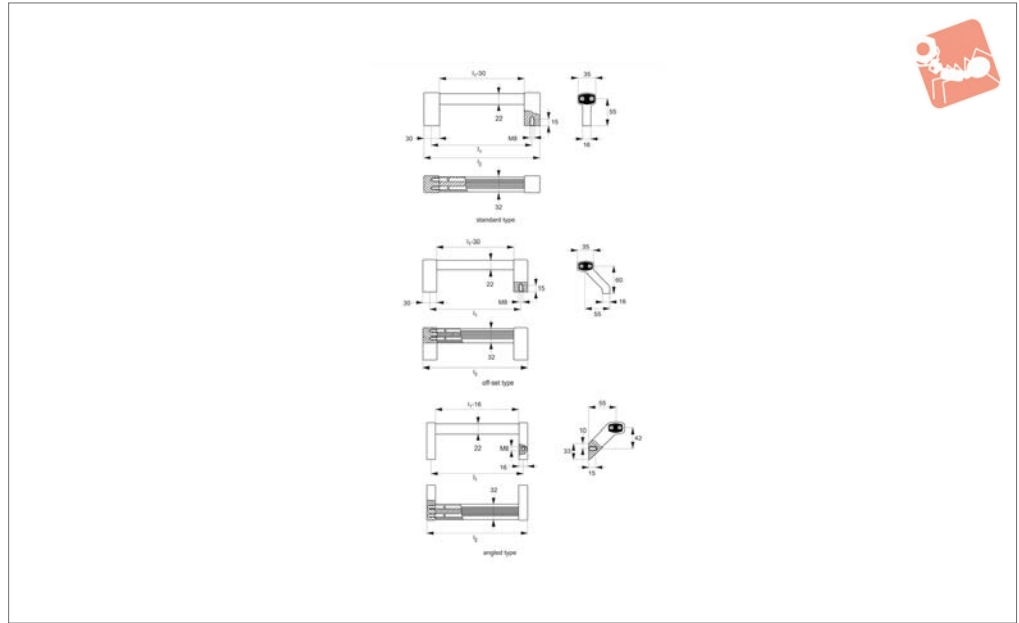
Tips

For 19" front panels and appliances. Provides high stability under load. Black grips available on request.

Order No.	Colour	Type	l_1	l_2	l_3	d_1	h_1	h_2	t_1	w_1	w_2	w_3	w_4
79200.W0055-0	Natural	Straight	55	73	41	M 5	40	9	10	14	14	-	-
79200.W0055-1	Black	Straight	55	73	41	M 5	40	9	10	14	14	-	-
79200.W0069-0	Natural	Straight	69	87	55	M 5	40	9	10	14	14	-	-
79200.W0069-1	Black	Straight	69	87	55	M 5	40	9	10	14	14	-	-
79200.W0088-0	Natural	Straight	88	106	74	M 5	40	9	10	14	14	-	-
79200.W0088-1	Black	Straight	88	106	74	M 5	40	9	10	14	14	-	-
79200.W0100-0	Natural	Straight	100	118	86	M 5	40	9	10	14	14	-	-
79200.W0100-1	Black	Straight	100	118	86	M 5	40	9	10	14	14	-	-
79200.W0114-0	Natural	Straight	114	132	100	M 5	40	9	10	14	14	-	-
79200.W0114-1	Black	Straight	114	132	100	M 5	40	9	10	14	14	-	-
79200.W0120-0	Natural	Straight	120	138	104	M 5	40	9	10	14	14	-	-
79200.W0120-1	Black	Straight	120	138	104	M 5	40	9	10	14	14	-	-
79200.W0180-0	Natural	Straight	180	198	166	M 5	40	9	10	14	14	-	-
79200.W0180-1	Black	Straight	180	198	166	M 5	40	9	10	14	14	-	-
79200.W0555-0	Natural	Offset	55	73	41	M 5	40	9	10	14	14	22	8
79200.W0555-1	Black	Offset	55	73	41	M 5	40	9	10	14	14	22	8
79200.W0569-0	Natural	Offset	69	87	55	M 5	40	9	10	14	14	22	8
79200.W0569-1	Black	Offset	69	87	55	M 5	40	9	10	14	14	22	8
79200.W0588-0	Natural	Offset	88	106	74	M 5	40	9	10	14	14	22	8
79200.W0588-1	Black	Offset	88	106	74	M 5	40	9	10	14	14	22	8
79200.W0600-0	Natural	Offset	100	118	86	M 5	40	9	10	14	14	22	8
79200.W0600-1	Black	Offset	100	118	86	M 5	40	9	10	14	14	22	8
79200.W0614-0	Natural	Offset	114	132	100	M 5	40	9	10	14	14	22	8
79200.W0614-1	Black	Offset	114	132	100	M 5	40	9	10	14	14	22	8
79200.W0620-0	Natural	Offset	120	138	104	M 5	40	9	10	14	14	22	8
79200.W0620-1	Black	Offset	120	138	104	M 5	40	9	10	14	14	22	8
79200.W0680-0	Natural	Offset	180	198	166	M 5	40	9	10	14	14	22	8
79200.W0680-1	Black	Offset	180	198	166	M 5	40	9	10	14	14	22	8



79210



Material

Handle shank and grip: aluminium section Al Mg Si 0,5. Glass bead blasted and semi-glossed, anodised.

Technical Notes

Supplied with hex screws DIN 933, M8x16

and suitable washers. Minimum stress resistance >1000N.

Tips

Black grips available on request. Any desired handle lengths and surfaces available on request.

Order No.	Type	Grip finish	Shank finish	l_1	l_2
79210.W0020-0	Straight	Natural	Natural	200	230
79210.W0020-1	Straight	Natural	Black	200	230
79210.W0025-0	Straight	Natural	Natural	250	280
79210.W0025-1	Straight	Natural	Black	250	280
79210.W0030-0	Straight	Natural	Natural	300	330
79210.W0030-1	Straight	Natural	Black	300	330
79210.W0035-0	Straight	Natural	Natural	350	380
79210.W0035-1	Straight	Natural	Black	350	380
79210.W0040-0	Straight	Natural	Natural	400	430
79210.W0040-1	Straight	Natural	Black	400	430
79210.W0050-0	Straight	Natural	Natural	500	530
79210.W0050-1	Straight	Natural	Black	500	530
79210.W0060-0	Straight	Natural	Natural	600	630
79210.W0060-1	Straight	Natural	Black	600	630
79210.W0220-0	Offset	Natural	Natural	200	230
79210.W0220-1	Offset	Natural	Black	200	230
79210.W0225-0	Offset	Natural	Natural	250	280
79210.W0225-1	Offset	Natural	Black	250	280
79210.W0230-0	Offset	Natural	Natural	300	330
79210.W0230-1	Offset	Natural	Black	300	330
79210.W0235-0	Offset	Natural	Natural	350	380
79210.W0235-1	Offset	Natural	Black	350	380
79210.W0240-0	Offset	Natural	Natural	400	430
79210.W0240-1	Offset	Natural	Black	400	430
79210.W0250-0	Offset	Natural	Natural	500	530
79210.W0250-1	Offset	Natural	Black	500	530
79210.W0260-0	Offset	Natural	Natural	600	630
79210.W0260-1	Offset	Natural	Black	600	630
79210.W0420-0	Angled	Natural	Natural	200	230
79210.W0420-1	Angled	Natural	Black	200	230
79210.W0425-0	Angled	Natural	Natural	250	280
79210.W0425-1	Angled	Natural	Black	250	280



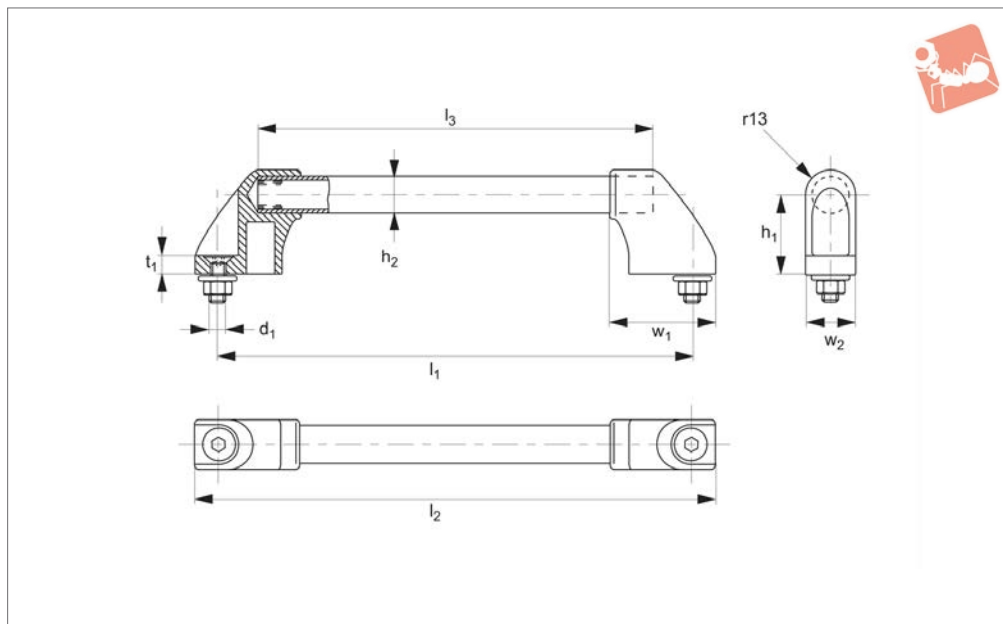
Pull Handles - Heavy Duty aluminium



Order No.	Type	Grip finish	Shank finish	l ₁	l ₂
79210.W0430-0	Angled	Natural	Natural	300	330
79210.W0430-1	Angled	Natural	Black	300	330
79210.W0435-0	Angled	Natural	Natural	350	380
79210.W0435-1	Angled	Natural	Black	350	380
79210.W0440-0	Angled	Natural	Natural	400	430
79210.W0440-1	Angled	Natural	Black	400	430
79210.W0450-0	Angled	Natural	Natural	500	530
79210.W0450-1	Angled	Natural	Black	500	530
79210.W0460-0	Angled	Natural	Natural	600	630
79210.W0460-1	Angled	Natural	Black	600	630



79240



Material

Handle shank: polyamide, PA 6 glass ball reinforced, black, semi-matt, with fine structure.

Connecting tube: aluminium ALMgSi 0.5, ground and anodized in natural colour or

with grooved plastic cover.

Technical Notes

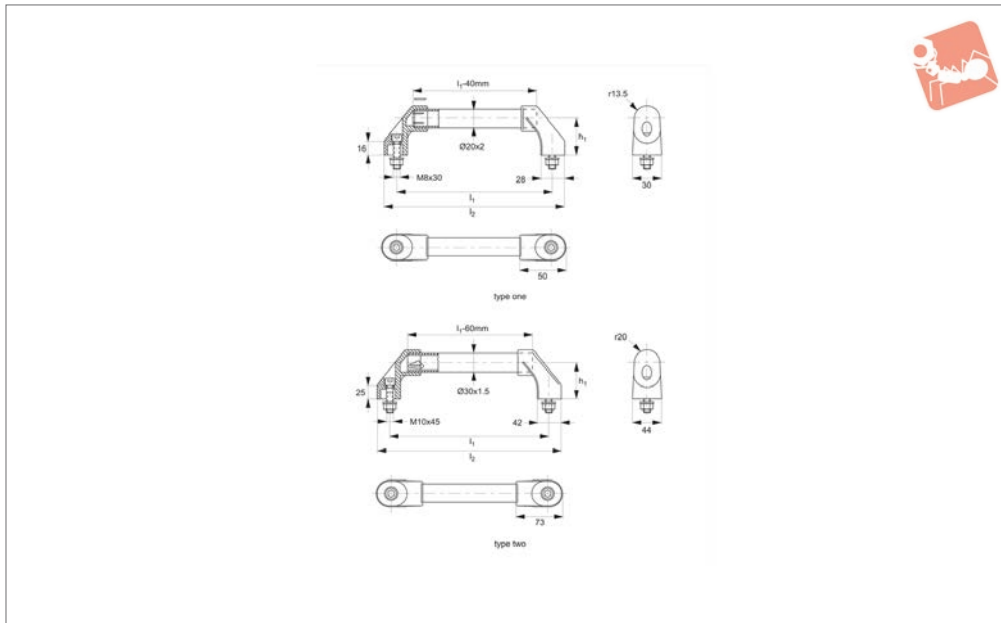
Supplied with hex screws DIN 7991 M8 x 20, and suitable nuts and washers.

Minimum stress resistance 500N.

Tips

The handle shank is fitted with 4 clamping pins, when the connection tube is pressed in the pins form around the tube and provide a firm hold.

Order No.	Finish	l_1	l_2	l_3	d_1	h_1	h_2	t_1	w_1	w_2
79240.W0010	Natural	180	204	140	M 8 x 20	42	Ø20 x 2	10	55	26
79240.W0020	Natural	200	224	160	M 8 x 20	42	Ø20 x 2	10	55	26
79240.W0025	Natural	250	274	210	M 8 x 20	42	Ø20 x 2	10	55	26
79240.W0030	Natural	300	324	260	M 8 x 20	42	Ø20 x 2	10	55	26
79240.W0035	Natural	350	374	310	M 8 x 20	42	Ø20 x 2	10	55	26
79240.W0040	Natural	400	424	360	M 8 x 20	42	Ø20 x 2	10	55	26
79240.W0050	Natural	500	524	460	M 8 x 20	42	Ø20 x 2	10	55	26
79240.W0060	Natural	600	624	560	M 8 x 20	42	Ø20 x 2	10	55	26
79240.W0110	Plastic	180	204	140	M 8 x 20	42	Ø20 x 2	10	55	26
79240.W0120	Plastic	200	224	160	M 8 x 20	42	Ø20 x 2	10	55	26
79240.W0125	Plastic	250	274	210	M 8 x 20	42	Ø20 x 2	10	55	26
79240.W0130	Plastic	300	324	260	M 8 x 20	42	Ø20 x 2	10	55	26
79240.W0135	Plastic	350	374	310	M 8 x 20	42	Ø20 x 2	10	55	26
79240.W0140	Plastic	400	424	360	M 8 x 20	42	Ø20 x 2	10	55	26
79240.W0150	Plastic	500	524	460	M 8 x 20	42	Ø20 x 2	10	55	26
79240.W0160	Plastic	600	624	560	M 8 x 20	42	Ø20 x 2	10	55	26



79250

PULL HANDLES

Material

Handle shank: polyamide, PA 6 glass ball reinforced, black, semi-matt with fine structure.
 Connection tube: aluminium Al Mg Si 0,5.
 Surface finishes: ground and anodised in natural colour. Grooved plastic cover,

black. Powder coated, black.

Technical Notes

Type one: supplied with hex screws DIN 912 M8x30, and suitable nuts and washers.
 Type two: supplied with hex screws DIN912 M10x45 and suitable nuts and washers.

Minimum stress resistance 1000N.

Tips

The handle shank is fitted with 4 clamping pins, when the connection tube is pressed in the pins form around the tube and provide a firm hold.

Order No.	Type	Finish	l ₁	l ₂	h ₁ height to centre
79250.W0018	One	Natural	180	210	42
79250.W0020	One	Natural	200	230	42
79250.W0025	One	Natural	250	280	42
79250.W0030	One	Natural	300	330	42
79250.W0035	One	Natural	350	380	42
79250.W0040	One	Natural	400	430	42
79250.W0050	One	Natural	500	530	42
79250.W0060	One	Natural	600	630	42
79250.W0118	One	Plastic Coat	180	210	42
79250.W0120	One	Plastic Coat	200	230	42
79250.W0125	One	Plastic Coat	250	280	42
79250.W0130	One	Plastic Coat	300	330	42
79250.W0135	One	Plastic Coat	350	380	42
79250.W0140	One	Plastic Coat	400	430	42
79250.W0150	One	Plastic Coat	500	530	42
79250.W0160	One	Plastic Coat	600	630	42
79250.W0218	One	Powder Coat	180	210	42
79250.W0220	One	Powder Coat	200	230	42
79250.W0225	One	Powder Coat	250	280	42
79250.W0230	One	Powder Coat	300	330	42
79250.W0235	One	Powder Coat	350	380	42
79250.W0240	One	Powder Coat	400	430	42
79250.W0250	One	Powder Coat	500	530	42
79250.W0260	One	Powder Coat	600	630	42
79250.W0525	Two	Natural	250	294	60
79250.W0530	Two	Natural	300	344	60
79250.W0535	Two	Natural	350	394	60
79250.W0540	Two	Natural	400	444	60
79250.W0550	Two	Natural	500	544	60
79250.W0560	Two	Natural	600	644	60
79250.W0625	Two	Plastic Coat	250	294	60

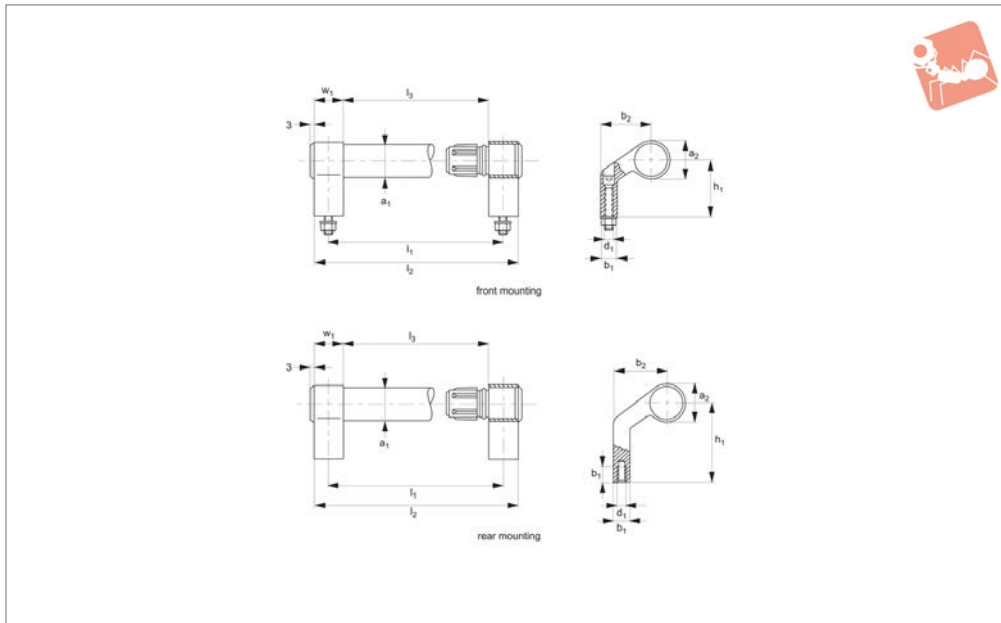


Order No.	Type	Finish	l_1	l_2	h_1 height to centre
79250.W0630	Two	Plastic Coat	300	344	60
79250.W0635	Two	Plastic Coat	350	394	60
79250.W0640	Two	Plastic Coat	400	444	60
79250.W0650	Two	Plastic Coat	500	544	60
79250.W0660	Two	Plastic Coat	600	644	60
79250.W0725	Two	Powder Coat	250	294	60
79250.W0730	Two	Powder Coat	300	344	60
79250.W0735	Two	Powder Coat	350	394	60
79250.W0740	Two	Powder Coat	400	444	60
79250.W0750	Two	Powder Coat	500	544	60
79250.W0760	Two	Powder Coat	600	644	60



Pull Handle System

aluminium



79270

PULL HANDLES

Material

Handle shank: extruded aluminium Al Mg Si 0,5. Anodised, matt black. Insert of black reinforced polyamide (PA6).
Connecting tube: aluminium Al Mg Si 0,5

Ø30 x 1,5mm. Precision ground and anodised.

Technical Notes

Minimum stress resistance >1000N. Wide

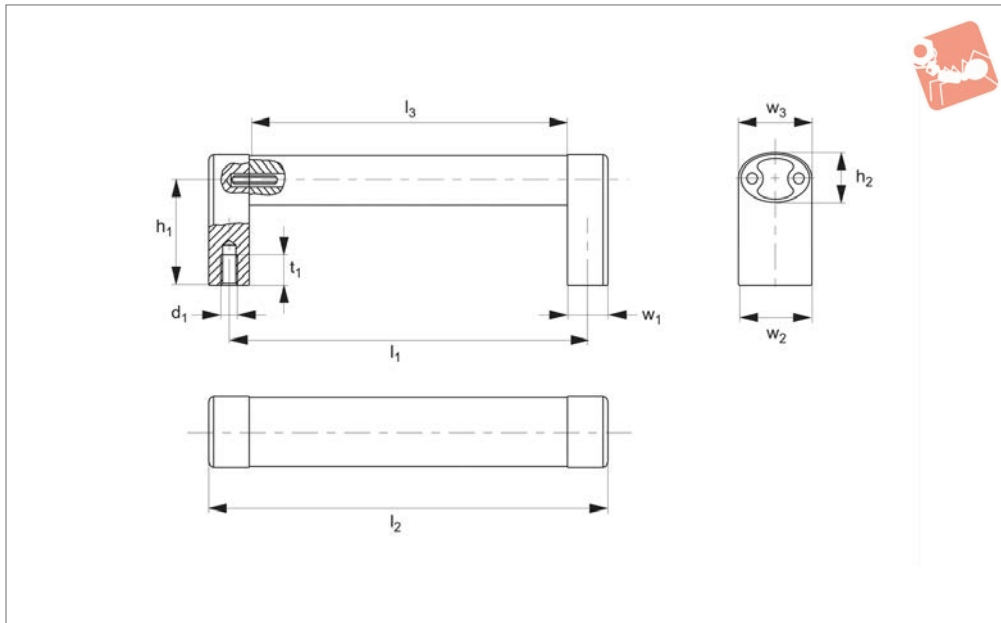
shank includes stainless steel cylinder head socket screws M6x45 DIN 912, nuts DIN 934 and washers DIN 125.

Order No.	Mounting type	Shank finish	Shank type	Tube finish	l_1	l_2	l_3
79270.W0020-1	Rear	Black	Narrow	Natural	200	225	175
79270.W0025-1	Rear	Black	Narrow	Natural	250	275	225
79270.W0030-1	Rear	Black	Narrow	Natural	300	325	275
79270.W0035-1	Rear	Black	Narrow	Natural	350	375	325
79270.W0040-1	Rear	Black	Narrow	Natural	400	425	375
79270.W0050-1	Rear	Black	Narrow	Natural	500	525	475
79270.W0060-1	Rear	Black	Narrow	Natural	600	625	575
79270.W0520-1	Rear	Black	Wide	Natural	200	250	150
79270.W0525-1	Rear	Black	Wide	Natural	250	300	200
79270.W0530-1	Rear	Black	Wide	Natural	300	350	250
79270.W0535-1	Rear	Black	Wide	Natural	350	400	300
79270.W0540-1	Rear	Black	Wide	Natural	400	450	350
79270.W0550-1	Rear	Black	Wide	Natural	500	550	450
79270.W0560-1	Rear	Black	Wide	Natural	600	650	550
79270.W0020-4	Front	Black	Narrow	Black	200	225	175
79270.W0025-4	Front	Black	Narrow	Black	250	275	225
79270.W0030-4	Front	Black	Narrow	Black	300	325	275
79270.W0035-4	Front	Black	Narrow	Black	350	375	325
79270.W0040-4	Front	Black	Narrow	Black	400	425	375
79270.W0050-4	Front	Black	Narrow	Black	500	525	475
79270.W0060-4	Front	Black	Narrow	Black	600	625	575

Order No.	a_1	a_2	b_1	b_2	d_1	h_1	t_1	w_1
79270.W0020-1	Ø30 x 1,5	33	15	45	M 8	50	15	25
79270.W0025-1	Ø30 x 1,5	33	15	45	M 8	50	15	25
79270.W0030-1	Ø30 x 1,5	33	15	45	M 8	50	15	25
79270.W0035-1	Ø30 x 1,5	33	15	45	M 8	50	15	25
79270.W0040-1	Ø30 x 1,5	33	15	45	M 8	50	15	25
79270.W0050-1	Ø30 x 1,5	33	15	45	M 8	50	15	25
79270.W0060-1	Ø30 x 1,5	33	15	45	M 8	50	15	25
79270.W0520-1	Ø30 x 1,5	33	15	45	M 8	50	15	50
79270.W0525-1	Ø30 x 1,5	33	15	45	M 8	50	15	50
79270.W0530-1	Ø30 x 1,5	33	15	45	M 8	50	15	50



Order No.	a ₁	a ₂	b ₁	b ₂	d ₁	h ₁	t ₁	w ₁
79270.W0535-1	Ø30 x 1,5	33	15	45	M 8	50	15	50
79270.W0540-1	Ø30 x 1,5	33	15	45	M 8	50	15	50
79270.W0550-1	Ø30 x 1,5	33	15	45	M 8	50	15	50
79270.W0560-1	Ø30 x 1,5	33	15	45	M 8	50	15	50
79270.W0020-4	Ø30 x 1,5	33	15	45	M 6 x 45	50	15	25
79270.W0025-4	Ø30 x 1,5	33	15	45	M 6 x 45	50	15	25
79270.W0030-4	Ø30 x 1,5	33	15	45	M 6 x 45	50	15	25
79270.W0035-4	Ø30 x 1,5	33	15	45	M 6 x 45	50	15	25
79270.W0040-4	Ø30 x 1,5	33	15	45	M 6 x 45	50	15	25
79270.W0050-4	Ø30 x 1,5	33	15	45	M 6 x 45	50	15	25
79270.W0060-4	Ø30 x 1,5	33	15	45	M 6 x 45	50	15	25



79280

PULL HANDLES

Material

Handle shank and connecting tube:
extruded aluminium Al Mg Si 0,5. Anodised
matt, natural or black.

Technical Notes

Minimum stress resistance >1000N.

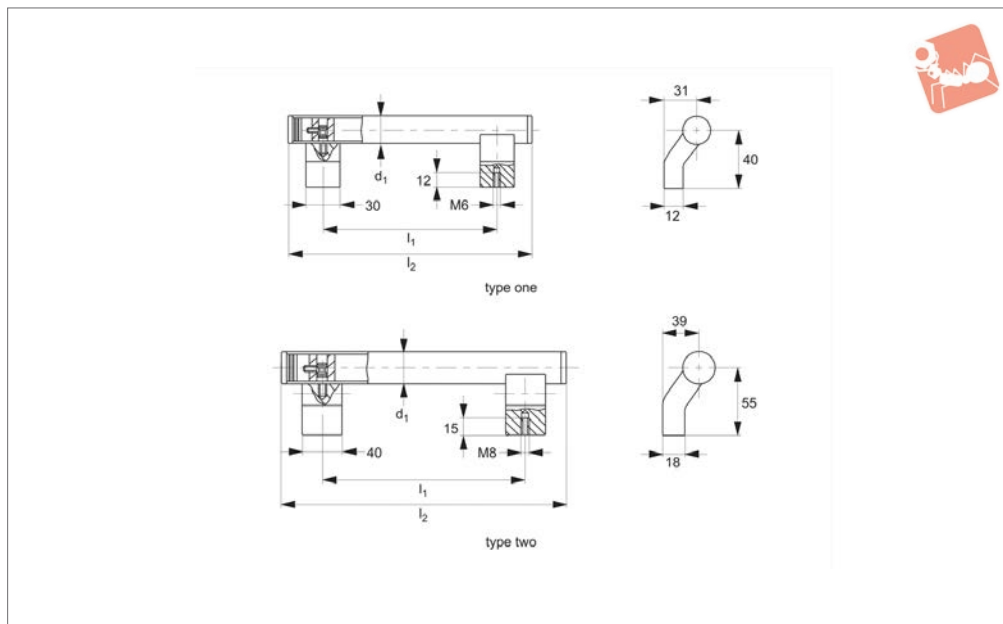
Important Notes

Other handle lengths or colour combina-
tions on request.

Order No.	Colour	l_1	l_2	l_3	d_1	h_1	h_2	t_1	w_1	w_2	w_3
79280.W0200-1	Natural	200	220	180	M 8	52	25	15	20	36	35
79280.W0200-4	Black	200	220	180	M 8	52	25	15	20	36	35
79280.W0250-1	Natural	250	270	230	M 8	52	25	15	20	36	35
79280.W0250-4	Black	250	270	230	M 8	52	25	15	20	36	35
79280.W0300-1	Natural	300	320	280	M 8	52	25	15	20	36	35
79280.W0300-4	Black	300	320	280	M 8	52	25	15	20	36	35
79280.W0400-1	Natural	400	420	380	M 8	52	25	15	20	36	35
79280.W0400-4	Black	400	420	380	M 8	52	25	15	20	36	35
79280.W0500-1	Natural	500	520	480	M 8	52	25	15	20	36	35
79280.W0500-4	Black	500	520	480	M 8	52	25	15	20	36	35



79290



Material

Type one: handle shank and connecting tube - extruded aluminium Al Mg Si 0,5. Anodized, natural or black. Fixing sleeves of anodised aluminium, clamping screws and pegs made of stainless steel.

Type two: handle shank - extruded aluminium Al Mg Si 0,5, anodized black. Connecting tube: stainless steel.

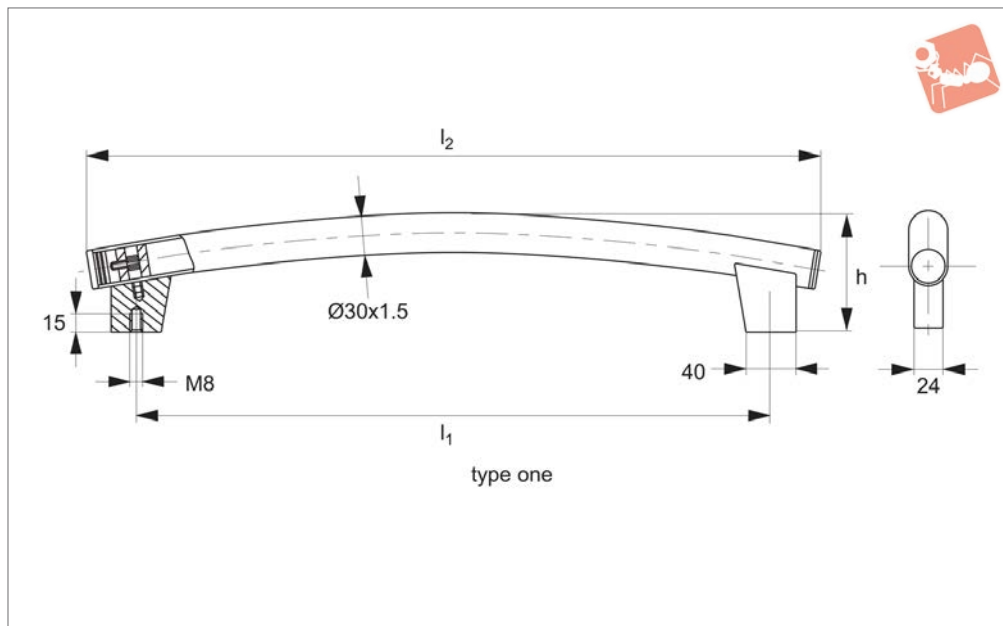
Technical Notes

Minimum stress resistance >1000N.

Important Notes

Other handle lengths or colours combinations on request.

Order No.	Colour	Type	l ₁	l ₂	d ₁
79290.W0220-1	Natural	One	200	260	20 x 2,0
79290.W0220-4	Black	One	200	260	20 x 2,0
79290.W0225-1	Natural	One	250	310	20 x 2,0
79290.W0225-4	Black	One	250	310	20 x 2,0
79290.W0230-1	Natural	One	300	360	20 x 2,0
79290.W0230-4	Black	One	300	360	20 x 2,0
79290.W0330-1	Natural	Two	300	390	30 x 1,5
79290.W0330-4	Black	Two	300	390	30 x 1,5
79290.W0335-1	Natural	Two	350	440	30 x 1,5
79290.W0335-4	Black	Two	350	440	30 x 1,5
79290.W0340-1	Natural	Two	400	490	30 x 1,5
79290.W0340-4	Black	Two	400	490	30 x 1,5
79290.W0350-1	Natural	Two	500	590	30 x 1,5
79290.W0350-4	Black	Two	500	590	30 x 1,5
79290.W0360-1	Natural	Two	600	690	30 x 1,5
79290.W0360-4	Black	Two	600	690	30 x 1,5



79310

PULL HANDLES

Material

Connecting tube: stainless steel fine ground, material 1.4301. Tube Ø30 x 1.5mm, end caps material no 1.4305, stainless steel, fine ground.

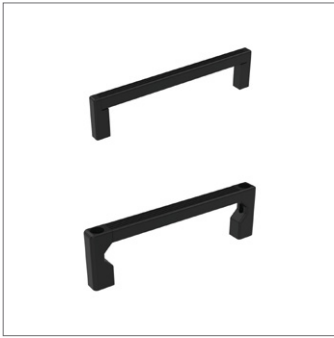
Tube holders: aluminium, AlMgSi 0.5 powder coated with fine structure.

design. Minimum stress resistance > 1000N.

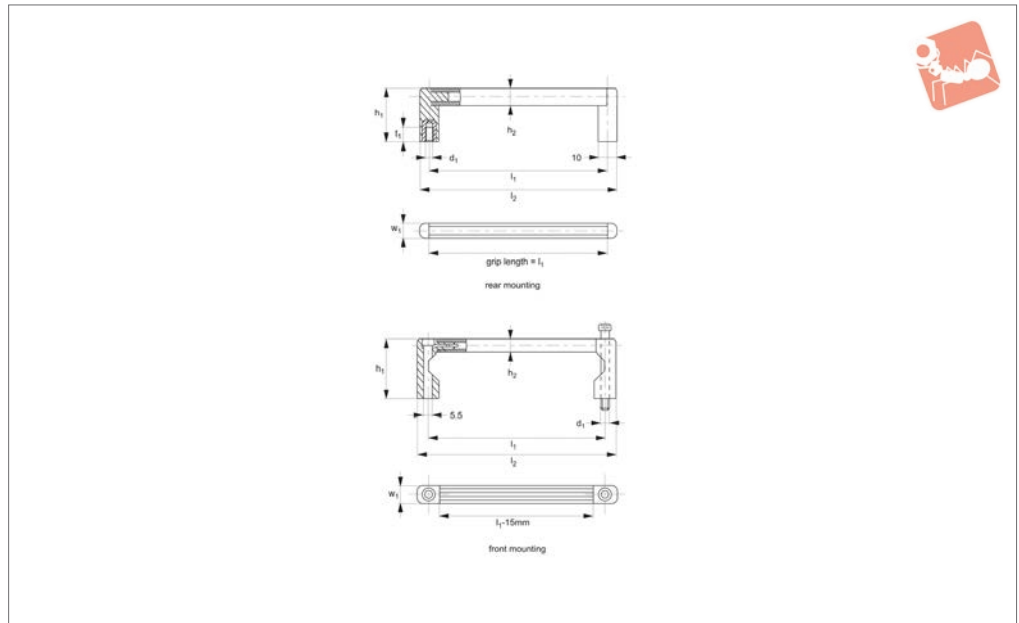
Technical Notes

Bent tube handle in modern industrial

Order No.	Type	l_1	l_2	h
79310.W0500	One	500	600	90
79310.W0600	One	600	700	100



79350



Material

Connection tube: special aluminium section, matt finishing in natural colour or black anodized.

Handle shank: heavy-duty polyamide,

glass bead reinforced with fine structure and brass threaded bush. Screw attachment from front, steel plate reinforced.

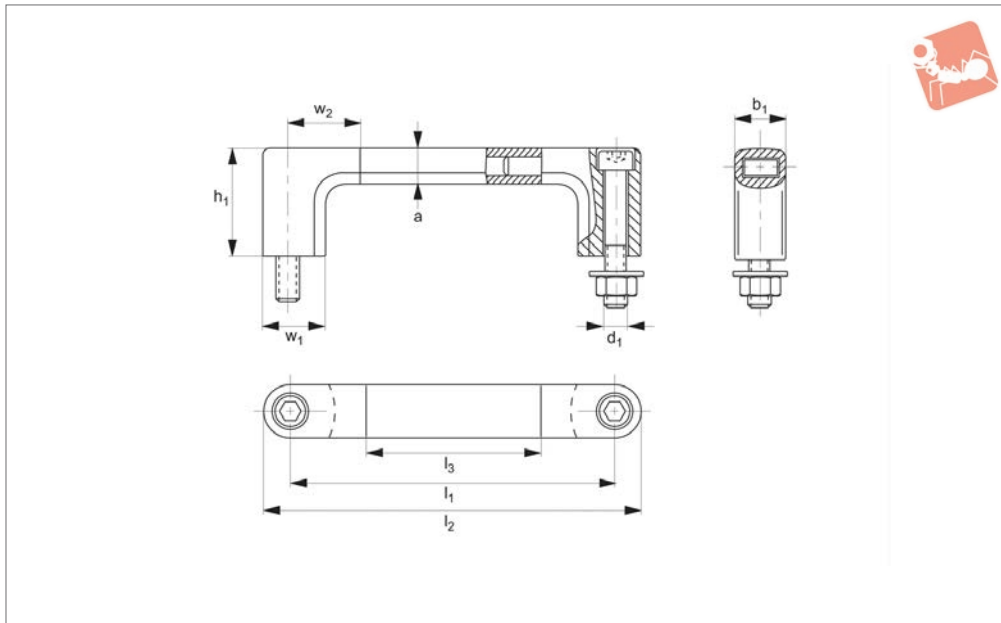
Technical Notes

Minimum stress resistance 200N.

Tips

For small appliances, front panels and

Order No.	Colour	Type	l_1	l_2	d_1	h_1	h_2	t_1	w_1
79350.W0032-1	Natural	Rear Mounting	32	42	M 4	30	9	8	8
79350.W0055-1	Natural	Rear Mounting	55	65	M 4	30	9	8	8
79350.W0062-1	Natural	Rear Mounting	62	72	M 4	30	9	8	8
79350.W0086-1	Natural	Rear Mounting	86	96	M 4	30	9	8	8
79350.W0088-1	Natural	Rear Mounting	88	98	M 4	30	9	8	8
79350.W0090-1	Natural	Rear Mounting	90	100	M 4	30	9	8	8
79350.W0120-1	Natural	Rear Mounting	120	130	M 4	30	9	8	8
79350.W0134-1	Natural	Rear Mounting	134	144	M 4	30	9	8	8
79350.W0032-4	Black	Rear Mounting	32	42	M 4	30	9	8	8
79350.W0055-4	Black	Rear Mounting	55	65	M 4	30	9	8	8
79350.W0062-4	Black	Rear Mounting	62	72	M 4	30	9	8	8
79350.W0086-4	Black	Rear Mounting	86	96	M 4	30	9	8	8
79350.W0088-4	Black	Rear Mounting	88	98	M 4	30	9	8	8
79350.W0090-4	Black	Rear Mounting	90	100	M 4	30	9	8	8
79350.W0120-4	Black	Rear Mounting	120	130	M 4	30	9	8	8
79350.W0134-4	Black	Rear Mounting	134	144	M 4	30	9	8	8
79350.W0255-1	Natural	Front Mounting	55	70	M 5	40	9	-	12
79350.W0288-1	Natural	Front Mounting	88	103	M 5	40	9	-	12
79350.W0300-1	Natural	Front Mounting	100	115	M 5	40	9	-	12
79350.W0320-1	Natural	Front Mounting	120	135	M 5	40	9	-	12
79350.W0380-1	Natural	Front Mounting	180	195	M 5	40	9	-	12
79350.W0435-1	Natural	Front Mounting	235	250	M 5	40	9	-	12
79350.W0255-4	Black	Front Mounting	55	70	M 5	40	9	-	12
79350.W0288-4	Black	Front Mounting	88	103	M 5	40	9	-	12
79350.W0300-4	Black	Front Mounting	100	115	M 5	40	9	-	12
79350.W0320-4	Black	Front Mounting	120	135	M 5	40	9	-	12
79350.W0380-4	Black	Front Mounting	180	195	M 5	40	9	-	12
79350.W0435-4	Black	Front Mounting	235	250	M 5	40	9	-	12



79360

PULL HANDLES

Material

Connection shank: die-cast aluminium, black powder coated, semi-matte.
 Connection tube: die-cast aluminium, anodised, natural, satin finish. RAL 7043.

Technical Notes

Supplied with hex screw DIN 912, M12x70

with suitable nuts and washers.
 Minimum stress resistance >1000N.

Tips

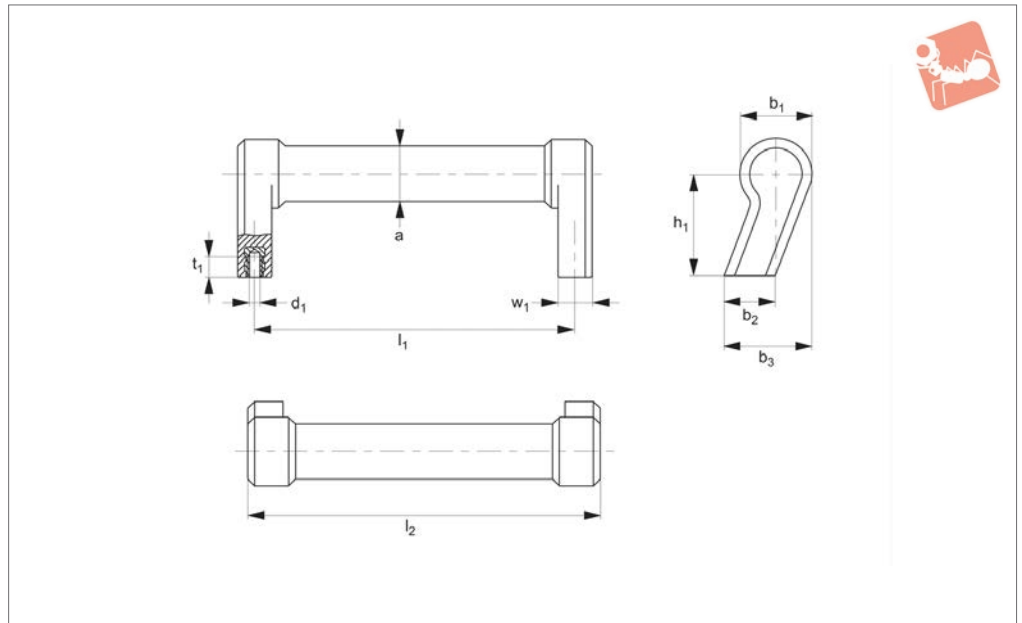
Machine, instrument and equipment handles for universal use and for any hole spacing.
 Extra rugged design. Handle ledge and

elbow section plug press-connected.

Order No.	l_1	l_2	l_3	a_1	b_1	d_1	h_1	w_1	w_2
79360.W0180	180	208	100	20	28	M 12	60	34	40
79360.W0200	200	228	220	20	28	M 12	60	34	40
79360.W0250	250	278	170	20	28	M 12	60	34	40
79360.W0300	300	328	220	20	28	M 12	60	34	40
79360.W0350	350	378	270	20	28	M 12	60	34	40
79360.W0400	400	428	320	20	28	M 12	60	34	40
79360.W0500	500	528	420	20	28	M 12	60	34	40
79360.W0600	600	628	520	20	28	M 12	60	34	40



79380



Material

Handle of polyamide PA 6, glass ball reinforced with threaded brass bushings.

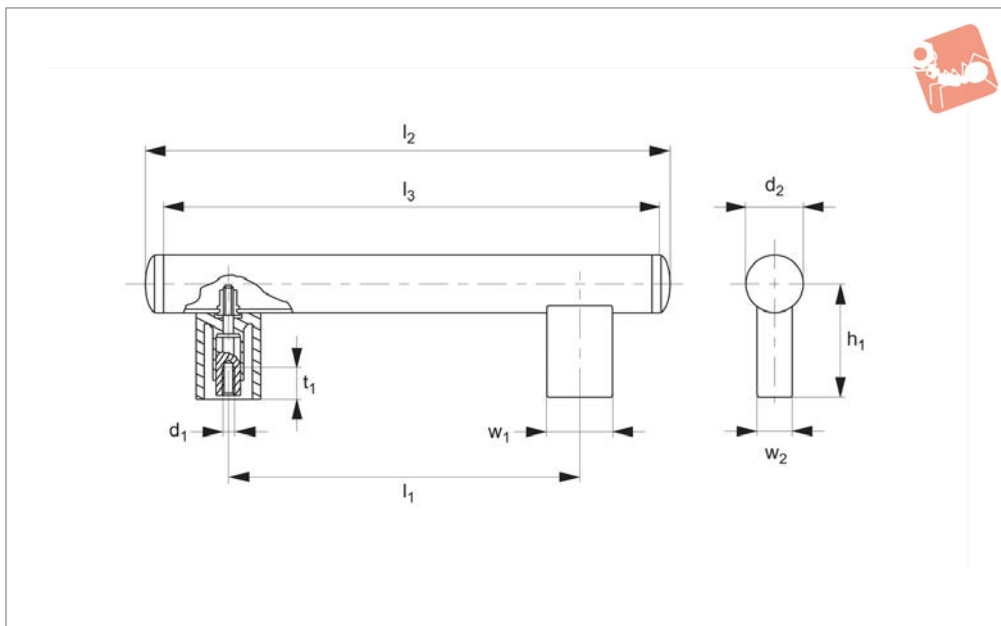
Black or light grey semi matte with fine-grain structure.

Technical Notes

Stress resistance: min. 1000N.

Order No.	Finish	l_1	l_2	a	b_1	b_2	b_3	d_1	h_1	t_1	w_1
79380.W0140-4	Black	140	155	Ø24	30	22	37	M 6	45	9	15
79380.W0140-7	Light grey	140	155	Ø24	30	22	37	M 6	45	9	15





79400

PULL HANDLES

Material

Connection shank: Polyamide (PA 6), glass bead reinforced, black, semi-matte. With steel threaded insert.

Connection tube: aluminium Al Mg Si 0,5, Ø30x1,5mm. Precision ground and

anodised.

Technical Notes

Minimum stress resistance 800N.

Tips

Screwed connection from the shank to the

tube with non-detachable blind rivet to prevent it being pulled off.

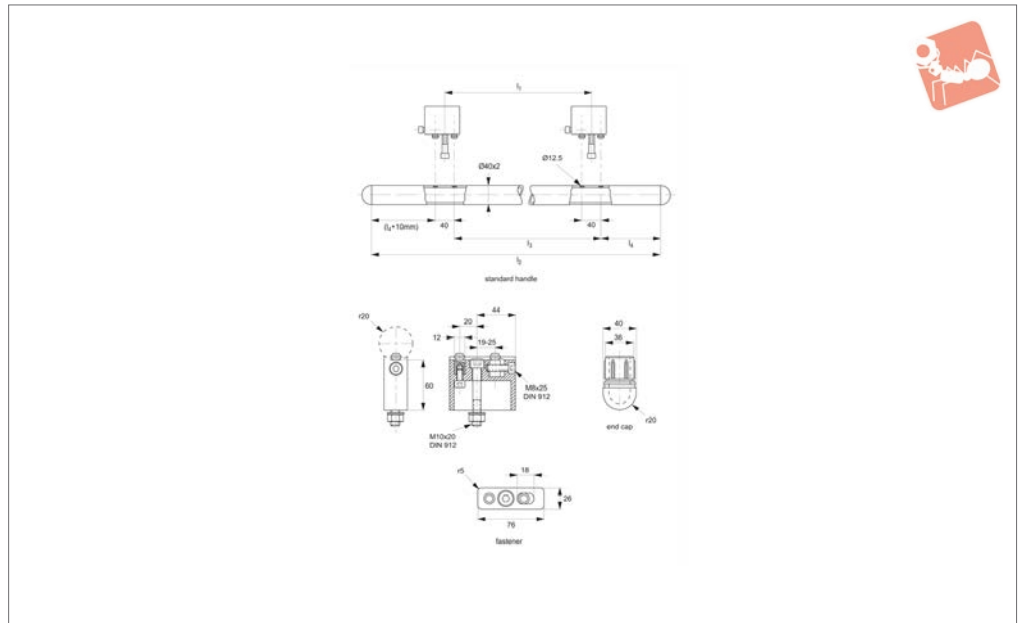
Important Notes

Handle lengths and screw down spacers available as required on request.

Order No.	Colour	l_1	l_2	l_3	d_1	d_2	h_1	t_1	w_1	w_2
79400.W0200-1	Natural	200	288	270	M 6	30 x 1,5	60	17	34	20
79400.W0200-4	Black	200	288	270	M 6	30 x 1,5	60	17	34	20
79400.W0250-1	Natural	250	338	320	M 6	30 x 1,5	60	17	34	20
79400.W0250-4	Black	250	338	320	M 6	30 x 1,5	60	17	34	20
79400.W0300-1	Natural	300	388	370	M 6	30 x 1,5	60	17	34	20
79400.W0300-4	Black	300	388	370	M 6	30 x 1,5	60	17	34	20
79400.W0350-1	Natural	350	438	420	M 6	30 x 1,5	60	17	34	20
79400.W0350-4	Black	350	438	420	M 6	30 x 1,5	60	17	34	20
79400.W0400-1	Natural	400	488	470	M 6	30 x 1,5	60	17	34	20
79400.W0400-4	Black	400	488	470	M 6	30 x 1,5	60	17	34	20
79400.W0500-1	Natural	500	588	570	M 6	30 x 1,5	60	17	34	20
79400.W0500-4	Black	500	588	570	M 6	30 x 1,5	60	17	34	20



79410



PULL HANDLES

Material

Connection shank: die-cast aluminium, black powder coated, silk matte.
 Connection tube: stainless steel 1.4301, Ø40x2, precision ground.
 End cap: polyamide (PA 6), glass ball reinforced, black, silk matte.

Technical Notes

Simplest fixing of components from the front. The same length handle can be fixed at any support spacing.
 Minimum stress resistance >1000N.

Tips

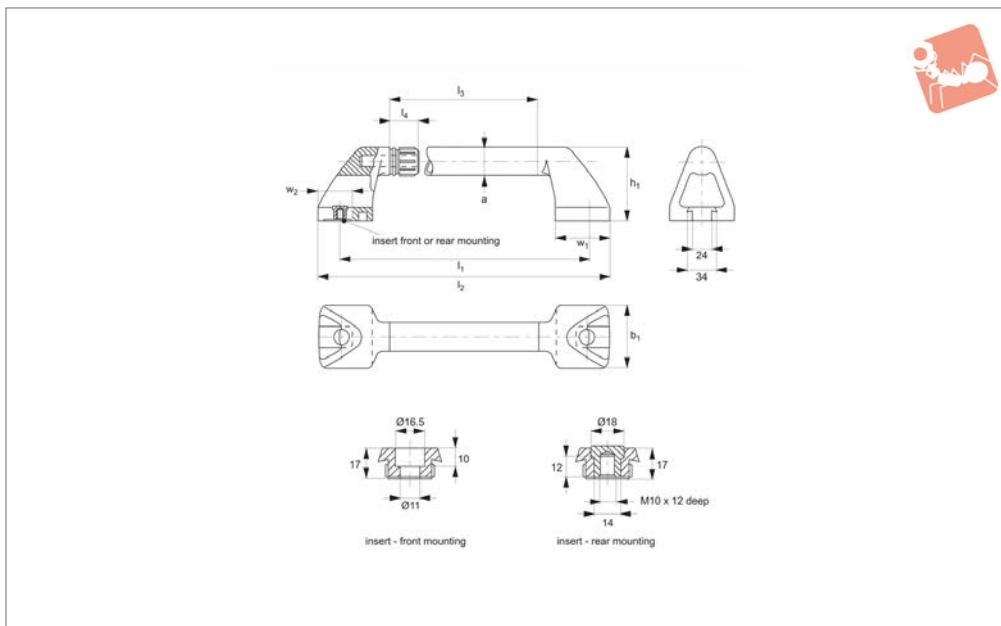
Heavy-duty pipe handles for mechanical and process equipment engineering purposes. Part nos. 79410.W0380 to .W0700 supplied complete with two fasteners and end caps.

Order No.	Type	l_1	l_2	l_3	l_4
79410.W0380	Handle	380	600	380	85
79410.W0480	Handle	480	700	480	85
79410.W0500	Handle	500	800	500	125
79410.W0600	Handle	600	900	600	125
79410.W0700	Handle	700	1000	700	125
79410.W0901	Fastener	-	-	-	-
79410.W0902	End Cap	-	-	-	-



Pull Handles - Heavy Duty

stainless steel and plastic



79420

PULL HANDLES

Material

Handle shank: polyamide (PA 6), glass ball reinforced, black, silk matte finish.
 Connection tube: stainless steel 1.4301 AISI 304, pipe Ø35x2mm, precision ground.

Technical Notes

Front mounting: supplied with stainless

steel hex screws DIN 912, M10x25 and suitable nuts and washers.

Rear mounting: no screws supplied.
 Minimum stress resistance >1000N.

Tips

Clamp ridges on handle shanks hold connection tube firmly, O-rings provide splash proof water tight seal. Any handle

length on request.

Order No.	Type	l_1	l_2	l_3	l_4	a	b_1	h_1	w_1	w_2
79420.W0300	Front Mounting	300	350	180	35	35 x 2	80	90	62	40
79420.W0301	Rear Mounting	300	350	180	35	35 x 2	80	90	62	40
79420.W0350	Front Mounting	350	400	230	35	35 x 2	80	90	62	40
79420.W0351	Rear Mounting	350	400	230	35	35 x 2	80	90	62	40
79420.W0400	Front Mounting	400	450	280	35	35 x 2	80	90	62	40
79420.W0401	Rear Mounting	400	450	280	35	35 x 2	80	90	62	40
79420.W0450	Front Mounting	450	500	330	35	35 x 2	80	90	62	40
79420.W0451	Rear Mounting	450	500	330	35	35 x 2	80	90	62	40
79420.W0500	Front Mounting	500	550	380	35	35 x 2	80	90	62	40
79420.W0501	Rear Mounting	500	550	380	35	35 x 2	80	90	62	40
79420.W0600	Front Mounting	600	650	480	35	35 x 2	80	90	62	40
79420.W0601	Rear Mounting	600	650	480	35	35 x 2	80	90	62	40
79420.W0700	Front Mounting	700	750	580	35	35 x 2	80	90	62	40
79420.W0701	Rear Mounting	700	750	580	35	35 x 2	80	90	62	40
79420.W0800	Front Mounting	800	850	680	35	35 x 2	80	90	62	40
79420.W0801	Rear Mounting	800	850	680	35	35 x 2	80	90	62	40
79420.W0901	Handle Shank	-	-	-	-	-	-	-	-	-
79420.W0902	Front Mounting Insert	-	-	-	-	-	-	-	-	-
79420.W0903	Rear Mounting Insert	-	-	-	-	-	-	-	-	-