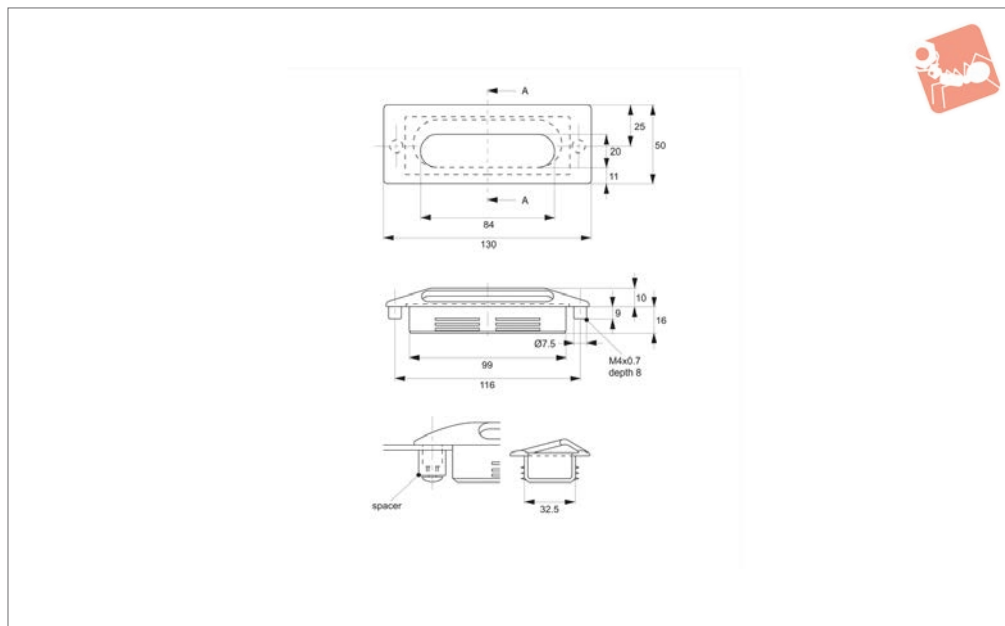




Pull Handles - Recessed plastic - rear mounting



79440

PULL HANDLES

Material

Body: black plastic.

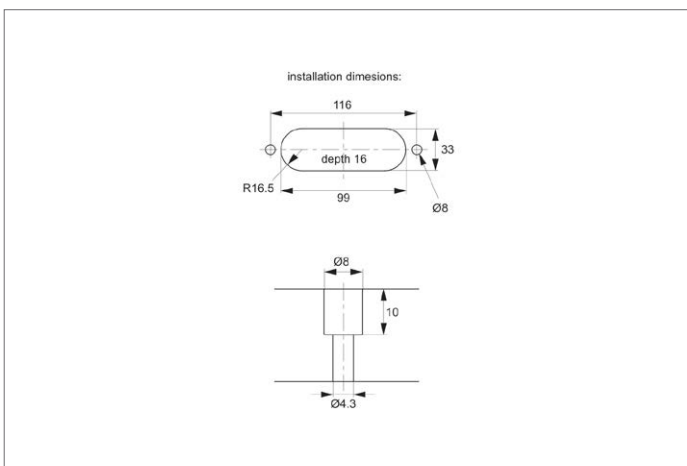
Cover: zinc alloy, chrome, satin nickel or

satin brass finish.

Technical Notes

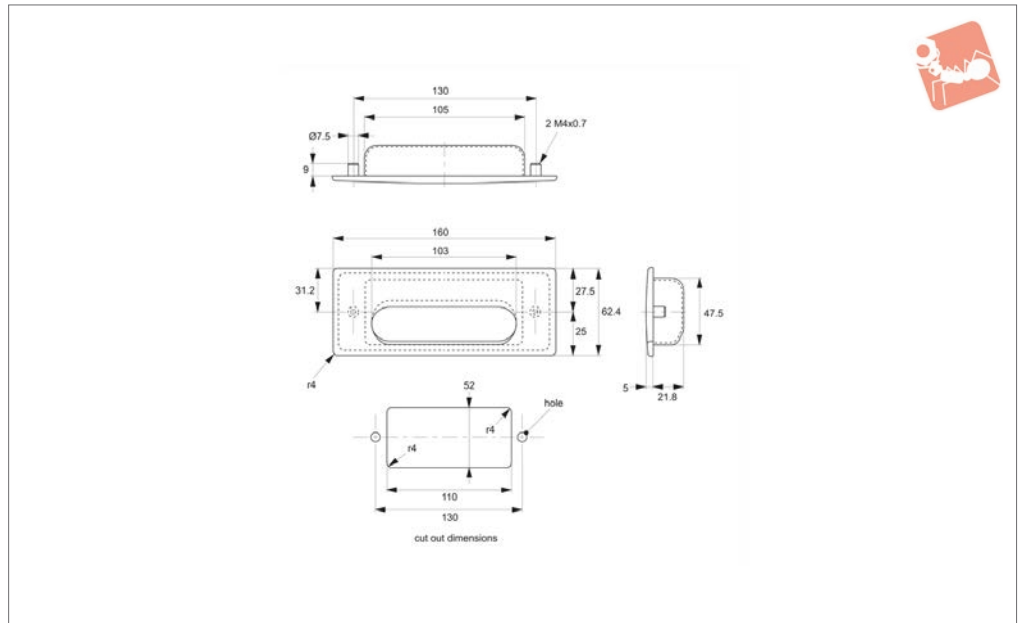
Supplied with spacer and screws (M4x8).

Order No.	Finish	Weight g
79440.W0130	Chrome	105
79440.W0131	Nickel, Satin	105
79440.W0132	Brass, Satin	105





79460



Material

AISA 304 stainless steel, satin finish.

Technical Notes

M 4 mounting screws required, not

supplied.

Important Notes

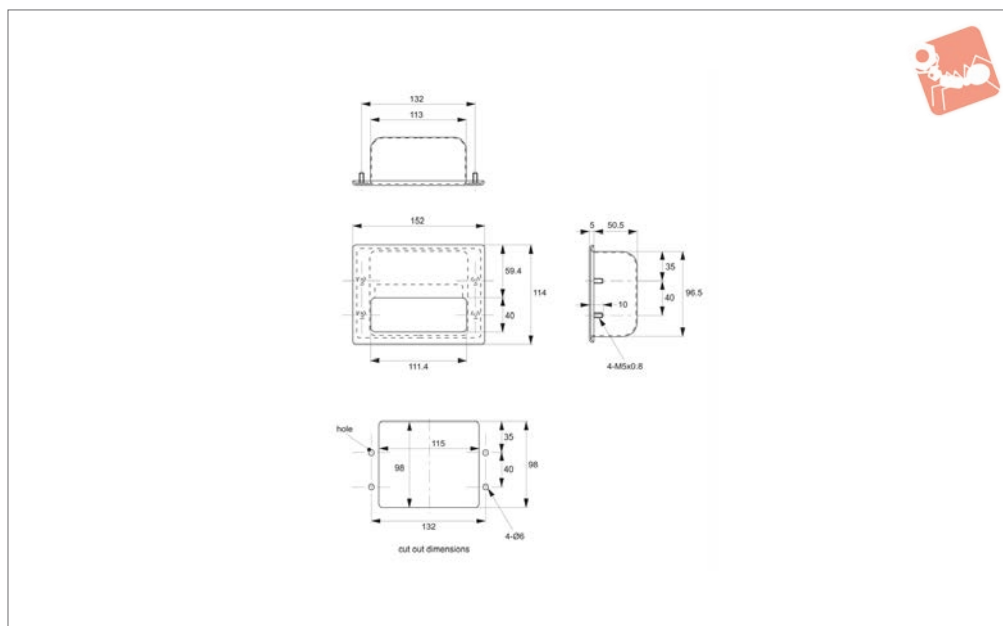
Ideal for harsh and high corrosive environments.

Order No.	Type	Weight g
79460.W0160	Stainless Steel	260



Recessed Pull Handles

stainless steel



79470

PULL HANDLES

Material

AISI 304 stainless steel, satin finish.

Technical Notes

Supplied with stainless steel M 5 nut.

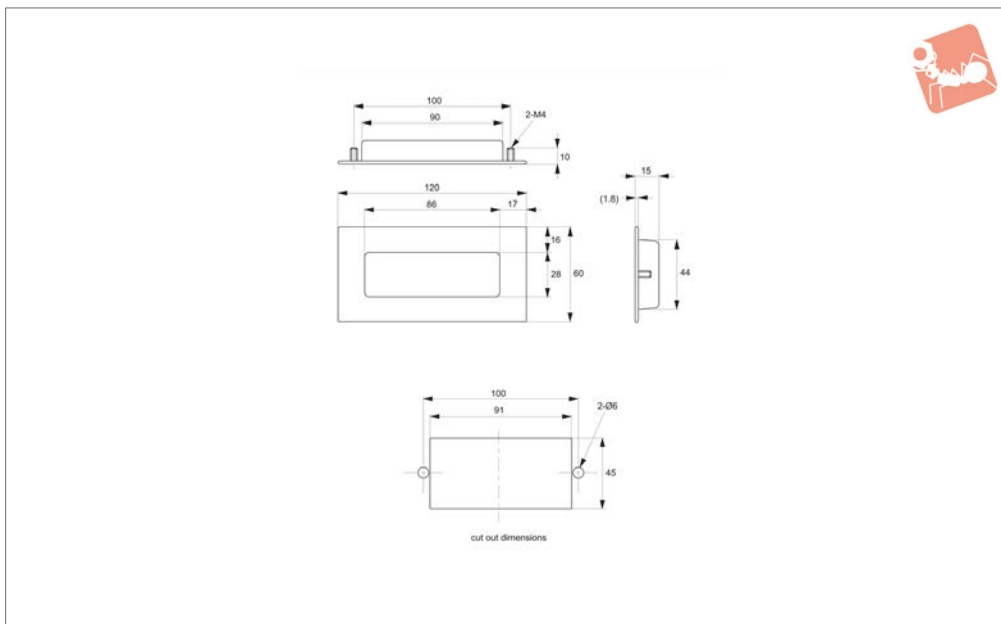
Order No.
79470.W0150

Finish
Stainless Steel

Weight
g
390



79480



Material

Stainless steel, AISI 304, satin finish.

Technical Notes

Supplied with stainless steel M 4 nut.

Order No.

79480.W0010

Finish

Stainless Steel

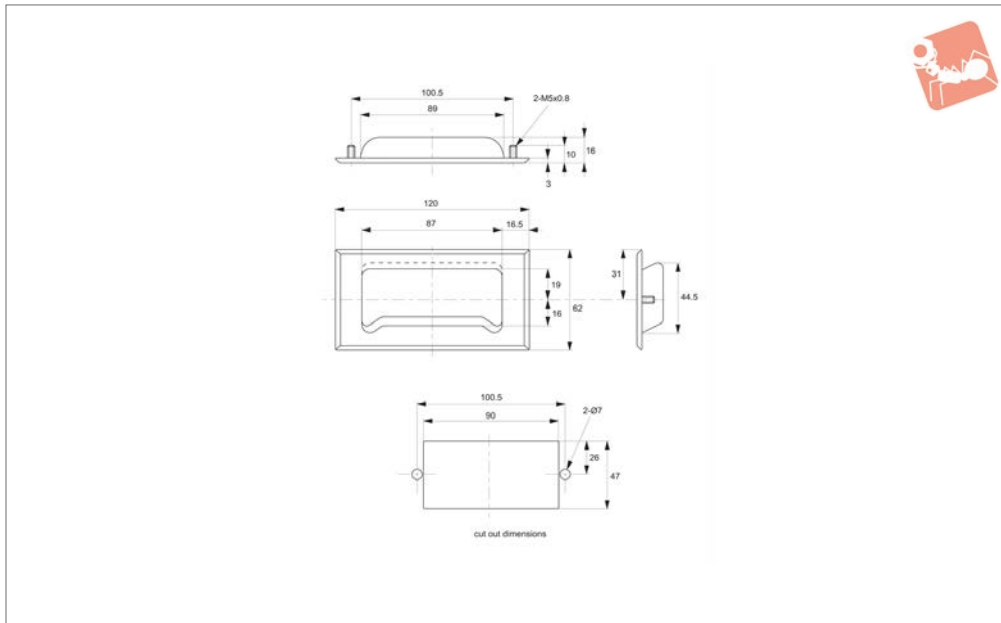
Weight

g
50



Recessed Pull Handles

stainless steel



79490

PULL HANDLES

Material

AISI 304 stainless steel, satin finish.

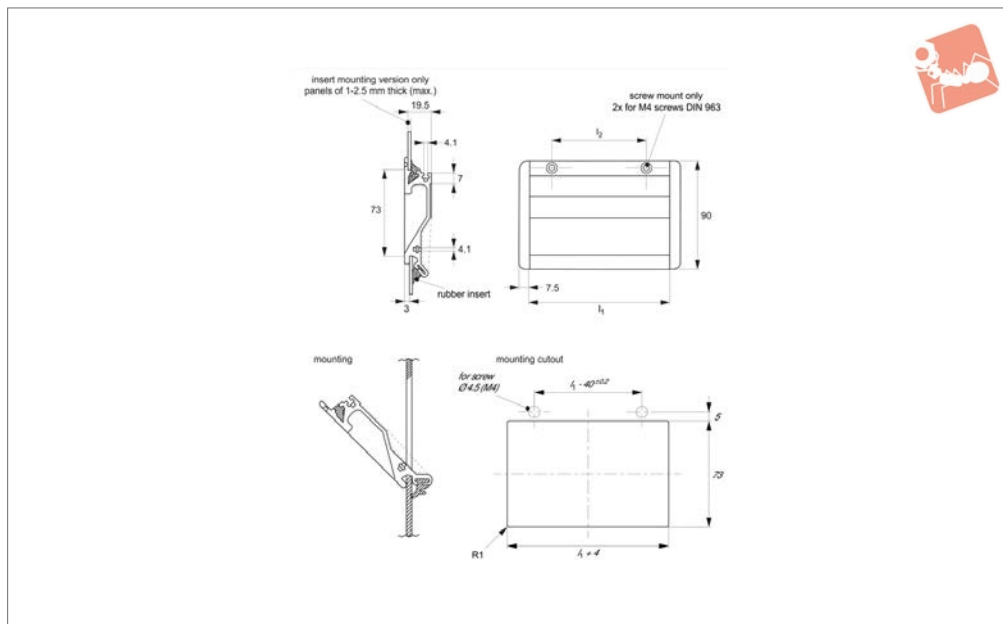
Technical Notes

Supplied with clear zinc chromate M 5 nuts.

Order No.	Finish	Weight
79490.W0010	Stainless Steel	g 50



79500



Material

Profiled aluminium, with black polyamide end caps PA 6. Handle glass blasted and anodised, natural or black, satin finish.

Technical Notes

Two possible mounting options:

- 1) **Mounting via screws (for panels >2,5mm thick):** two countersunk holes for DIN966, M4x8 included on model.
- 2) **Mounting via rubber insert (for panels**

1 to 2,5mm thick): additional rubber insert at top of the handle pushes in from the back, securing the handle. Minimum stress resistance 500N.

Tips

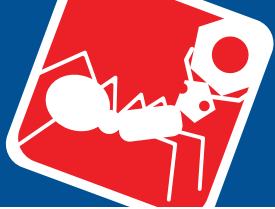
Mounting method:

- Make mounting cut-out in panel/material.
- Insert bottom rubber insert.
- Attach end caps.

- Press handle over lower edge of mounting cut-out at a 45° angle, ensuring correct position of rubber insert on the inside of the cut-out.

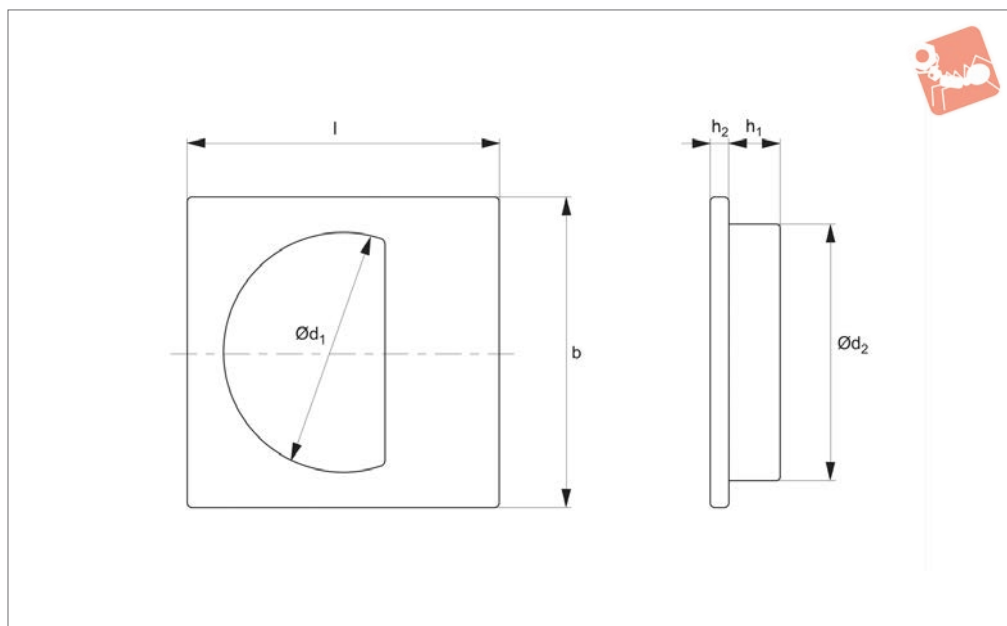
- If using additional rubber insert for mounting, hold handle against cut-out and fit insert. Alternatively use two counter-sunk screws with spacing equal to $l_1 - 40\text{mm}$ (as shown).

Order No.	Type	Finish	l_1	l_2	Mounting cutout
79500.W0100-1	Screw	Silver	100	60	104x73
79500.W0100-4	Screw	Black	100	60	104x73
79500.W0118-1	Screw	Silver	118	78	122x73
79500.W0118-4	Screw	Black	118	78	122x73
79500.W0167-1	Screw	Silver	167	127	171x73
79500.W0167-4	Screw	Black	167	127	171x73
79500.W0500-1	Insert	Silver	100	60	104x73
79500.W0500-4	Insert	Black	100	60	104x73
79500.W0618-1	Insert	Silver	118	78	122x73
79500.W0618-4	Insert	Black	118	78	122x73
79500.W0667-1	Insert	Silver	167	127	171x73
79500.W0667-4	Insert	Black	167	127	171x73



Recessed Pull Handles

stainless steel



79510

PULL HANDLES

Material

Stainless type: AISI 304 stainless steel, polished.

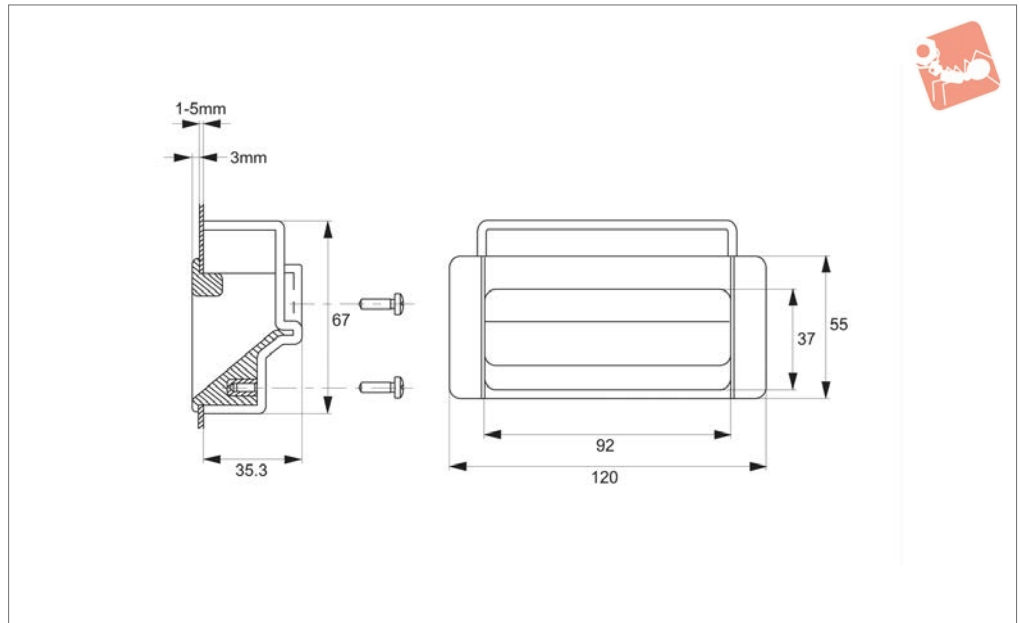
Technical Notes

Press fit.

Order No.	Finish	l	b	h ₁	h ₂	Ø d ₁	Ø d ₂	Weight g
79510.W0035	Stainless	44	44	9.8	2.2	31	35.1	10
79510.W0038	Stainless	47	47	10.3	2.2	34	37.6	11
79510.W0048	Stainless	57	57	10.3	2.2	44	48.6	16



79520



Material

Thermoplastic PA 6, glass bead reinforcement, fine-grain structure. Threaded brass insert.

the mounting cut-out. The rear section is then fitted to front section from the interior of the panel, and fixed with three screws (supplied). Minimum stress resistance 1000N.

Tips

This handle is suitable for different degrees of panel thickness 1 to 5mm. Its design guarantees that it fits securely at all times.

Technical Notes

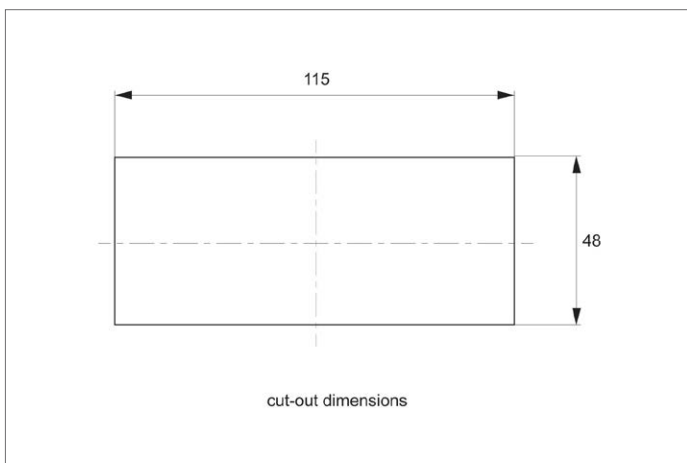
Mounting: the front section is first set into

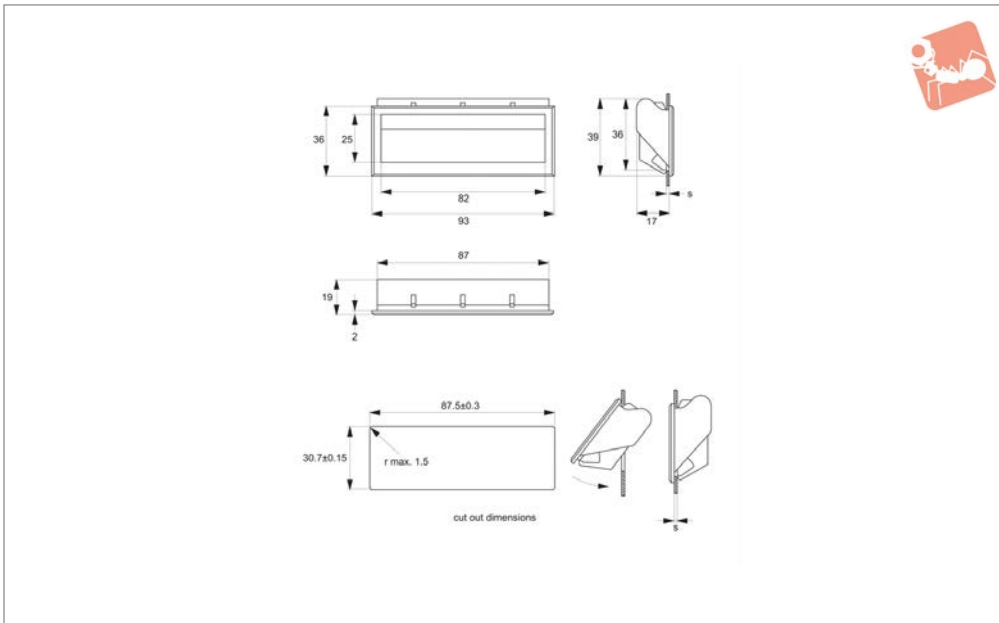
Order No.

- 79520.W0107
- 79520.W0108
- 79520.W0109

Finish

- Stone Grey
- Light Grey
- Greyish White





79522

PULL HANDLES

Material

ABS resin, black, similar to RAL 9005, with fine structure on the visible surfaces.

Technical Notes

Flush inset handle for lifting and pulling. Unilateral, tool-less single-hole installation through self-locking, recessed handle.

Stress resistance: min. 400N when installed in 1,2mm sheet steel. Max. values depend on the strength of the mounting wall.

Tips

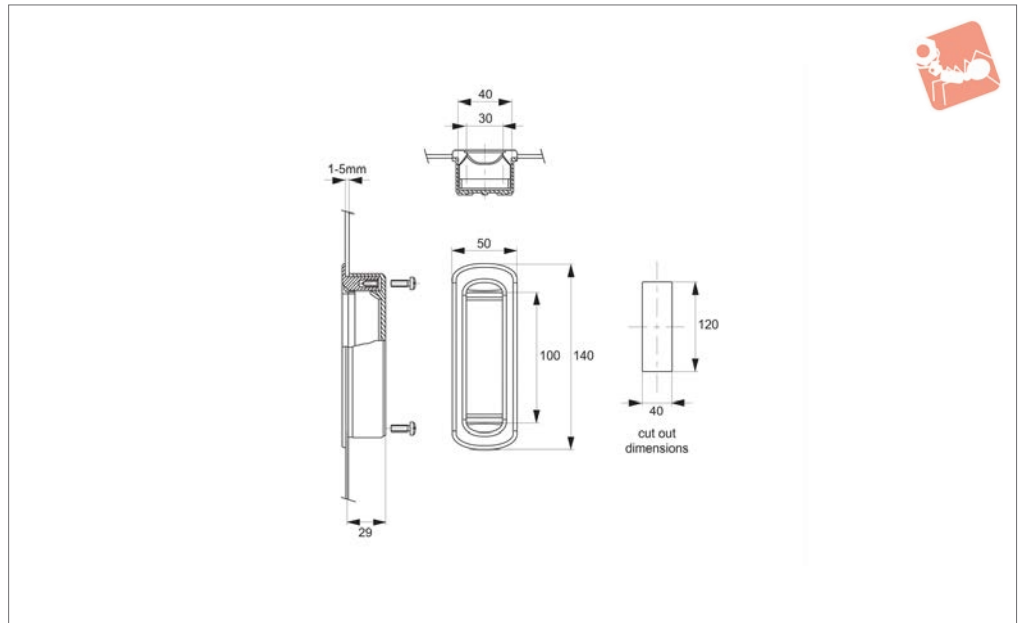
Assembly: place the trough inset handle in the cutout, so that the upper edge of the

cutout lies in the gap being the face of the handle. Then press the bottom edge of the handle into the cutout until it clearly locks into place.

Order No.	Panel thickness s mm
79522.W0100	1,0-1,4
79522.W0140	1,4-1,8
79522.W0180	1,8-2,1
79522.W0210	2,1-2,5



79530



Material

Thermoplast (PA 6), glass bead reinforced. Threaded brass insert. Supplied with four oval-head screws to DIN 7985.

the mounting cut-out. The rear section is then fitted to front section from the interior of the panel, and fixed with four screws (supplied).

1 to 5mm thick.

Technical Notes

Mounting: the front section is first set into

Tips

Simple and stable design for use on panels

Order No.

- 79530.W0107
- 79530.W0108
- 79530.W0109
- 79530.W0110

Finish

- Stone Grey
- Light Grey
- Greyish White
- Black

