

78700

PULL HANDLES

Material

Round steel bar.
Finish: precision ground and high gloss

chromium plated surface. Chromium
coloured brass cover washers included.

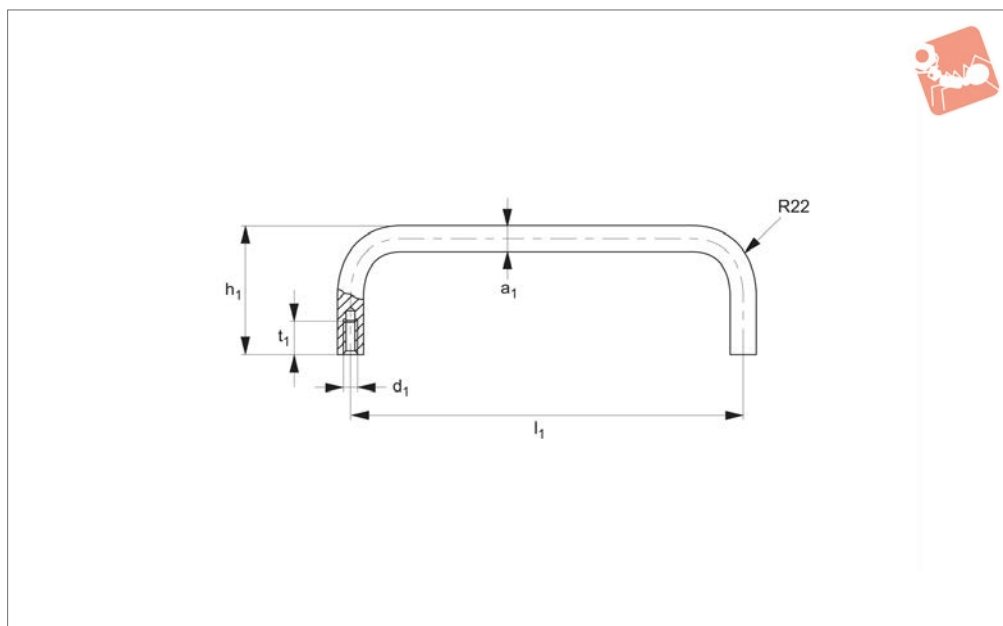
Technical Notes

Minimum stress resistance 1000N.

Order No.	l_1	$\varnothing a_1$	d_1	h_1	h_2	t_1
78700.W0003	32	5	M 3	21	1	6
78700.W0004	42	5	M 3	25	1	6
78700.W0005	55	5	M 3	25	1	6
78700.W0007	76	5	M 3	25	1	6
78700.W0008	88	5	M 3	25	1	6
78700.W0103	32	8	M 4	33	1	8
78700.W0105	55	8	M 4	33	1	8
78700.W0106	64	8	M 4	33	1	8
78700.W0108	88	8	M 4	33	1	8
78700.W0109	96	8	M 4	33	1	8
78700.W0110	102	8	M 4	33	1	8
78700.W0112	120	8	M 4	33	1	8
78700.W0113	128	8	M 4	33	1	8
78700.W0114	136	8	M 4	33	1	8
78700.W0505	55	10	M 5	41	1	10
78700.W0508	88	10	M 5	41	1	10
78700.W0509	100	10	M 5	41	1	10
78700.W0510	102	10	M 5	41	1	10
78700.W0511	115	10	M 5	41	1	10
78700.W0512	120	10	M 5	41	1	10
78700.W0514	136	10	M 5	41	1	10
78700.W0518	180	10	M 5	41	1	10
78700.W0520	200	10	M 5	41	1	10
78700.W0523	235	10	M 5	41	1	10
78700.W0525	250	10	M 5	41	1	10



78720



Material

Round steel bar $\varnothing 20\text{mm}$.

Finish: ground, brushed matt chromium

plated or black powder coated.

Technical Notes

Minimum stress resistance >1000N.

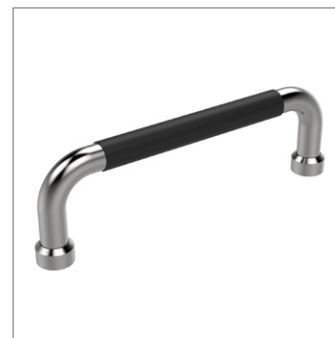
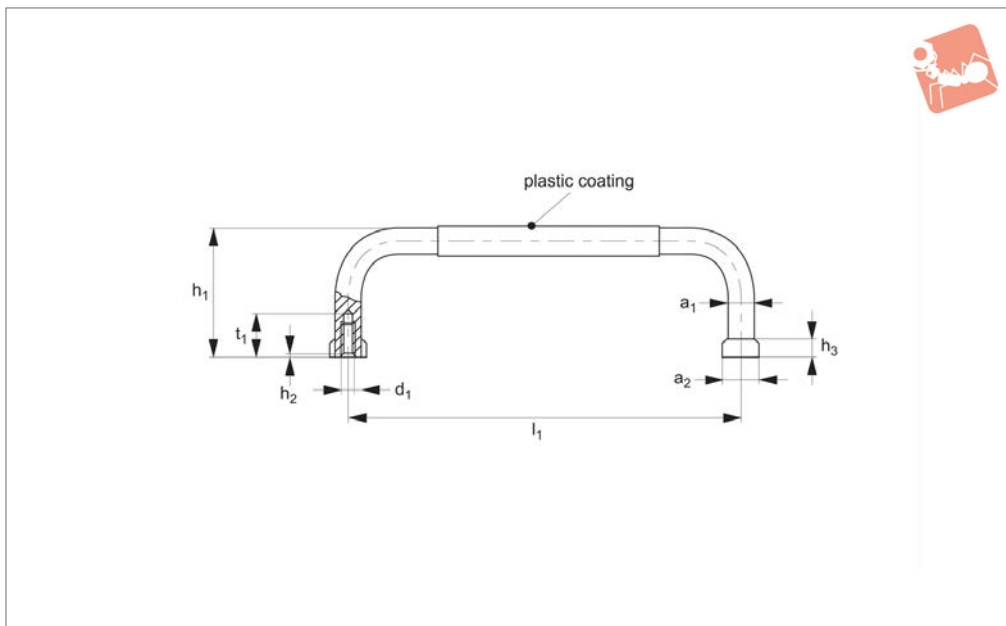
Order No.	Finish	l_1	a_1	d_1	h_1	t_1
78720.W0200-1	Matte Chromium Plated	200	20	M 8	70	15
78720.W0250-1	Matte Chromium Plated	250	20	M 8	70	15
78720.W0300-1	Matte Chromium Plated	300	20	M 8	70	15
78720.W0350-1	Matte Chromium Plated	350	20	M 8	70	15
78720.W0400-1	Matte Chromium Plated	400	20	M 8	70	15
78720.W0200-4	Black Powder Coated	200	20	M 8	70	15
78720.W0250-4	Black Powder Coated	250	20	M 8	70	15
78720.W0300-4	Black Powder Coated	300	20	M 8	70	15
78720.W0350-4	Black Powder Coated	350	20	M 8	70	15
78720.W0400-4	Black Powder Coated	400	20	M 8	70	15





Pull Handles with Plastic Cover

steel



78740

PULL HANDLES

Material

Round steel bar.
Finish: precision ground and matt gloss chromium plated surface, handle arms with smooth plastic covering. High quality

handles for front panels and similar applications.

Technical Notes

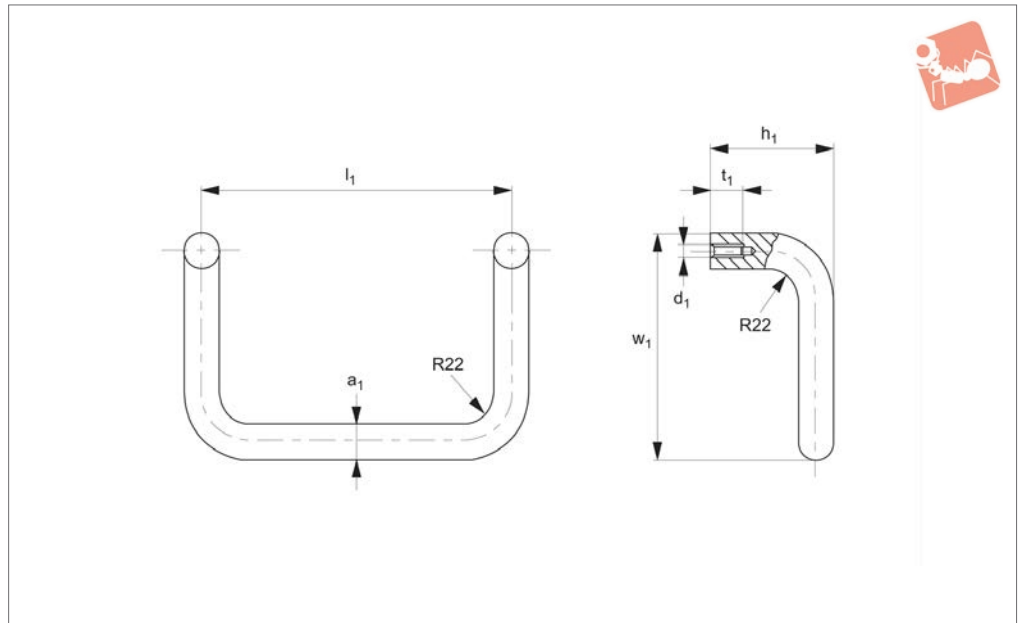
Matte gloss chromium plated brass end

bushes included. Minimum stress resistance 1000N.

Order No.	l_1	a_1	a_2	d_1	h_1	h_2	h_3	t_1
78740.W0005	55	10	14	M 5	41	1	8	10
78740.W0088	88	10	14	M 5	41	1	8	10
78740.W0100	100	10	14	M 5	41	1	8	10
78740.W0102	102	10	14	M 5	41	1	8	10
78740.W0115	115	10	14	M 5	41	1	8	10
78740.W0120	120	10	14	M 5	41	1	8	10
78740.W0136	136	10	14	M 5	41	1	8	10
78740.W0180	180	10	14	M 5	41	1	8	10
78740.W0200	200	10	14	M 5	41	1	8	10
78740.W0235	235	10	14	M 5	41	1	8	10
78740.W0250	250	10	14	M 5	41	1	8	10



78760



Material

Round bar steel, Ø20mm.
Finish: ground, brushed matt chromium plated or black powder coated with fine

structure.

Technical Notes

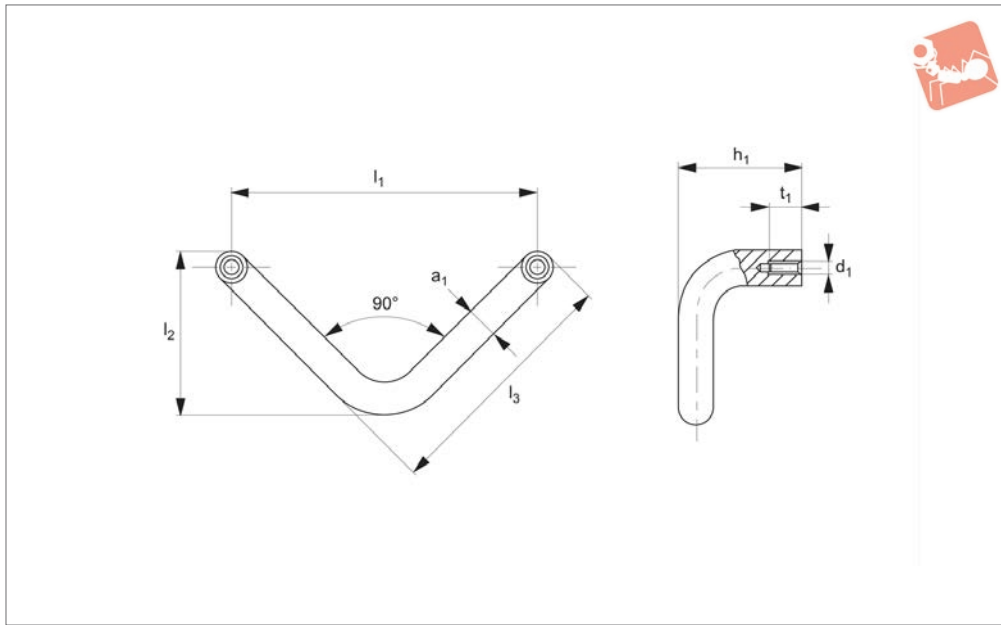
Minimum stress resistance >1000N.

Handles with other bore clearances are available on request.

Order No.	Finish	l_1	a_1	d_1	h_1	t_1	w_1
78760.W0200-1	Matte Chromium Plated	200	20	M 8	70	15	130
78760.W0200-4	Black Powder Coated	200	20	M 8	70	15	130
78760.W0350-1	Matte Chromium Plated	350	20	M 8	70	15	130
78760.W0350-4	Black Powder Coated	350	20	M 8	70	15	130



Pull Handles - Angular steel



78770

PULL HANDLES

Material

Round steel bar.
Finish: polished and bright chromium-

plated surface finish.

resistance 500N.

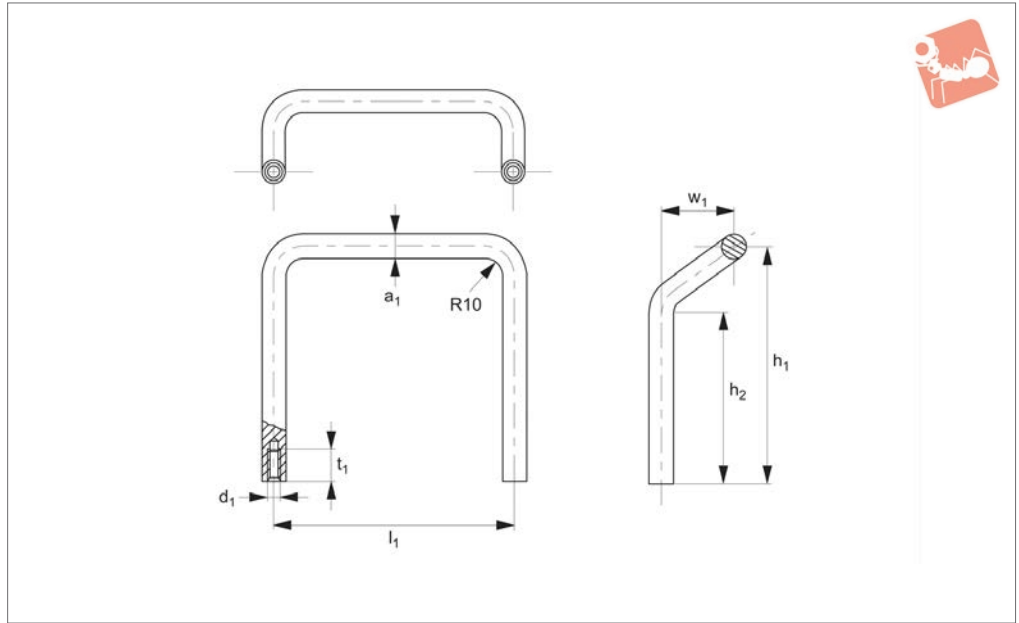
Technical Notes

Concentric threaded hole. Minimum stress

Order No.	l_1	a_1	d_1	h_1	l_2	l_3	t_1
78770.W0075	75	8	M_4	32	41	61	8
78770.W0090	90	10	M_5	40	49	73	10



78780



PULL HANDLES

Material

Round bar steel, 12mm.
Finish: precision-ground and chromium-

plated mirror finish.

Technical Notes

Minimum stress resistance 1000N. Addi-

tional sizes or surface versions on request.

Order No.	l_1	a_1	d_1	h_1	h_2	t_1	w_1
78780.W0060	120	12	M 8	60	27	15	35
78780.W0120	120	12	M 8	120	87	15	35