

79583

PULL HANDLES

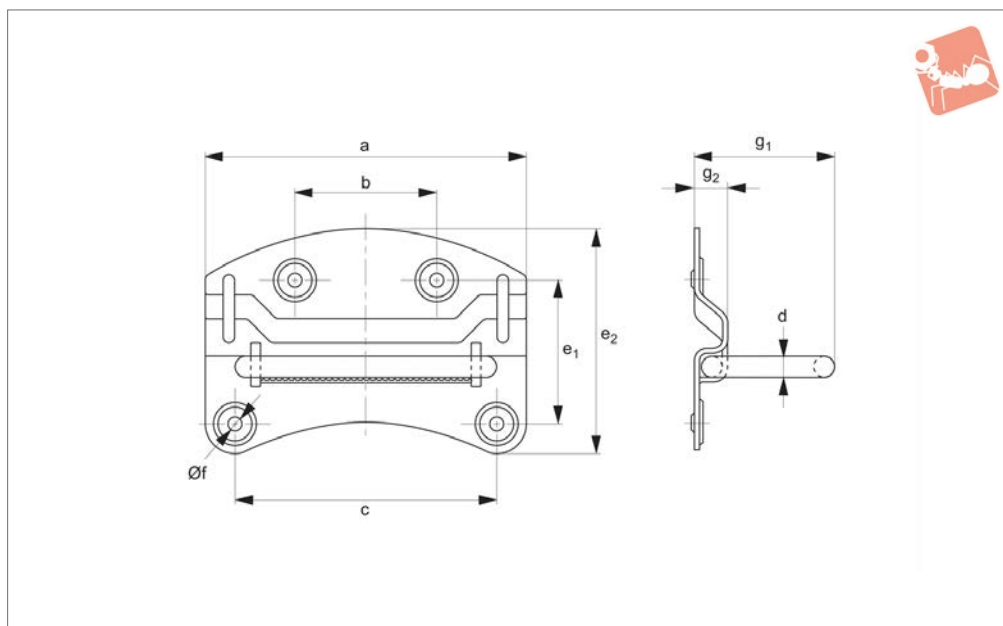
Material

Steel, nickel plated.

Order No.	Finish	a	b	c	d	e	g	Ø f	Weight g
79583.W0001	Nickel Plated Steel	66	80	18.5	13	38	-	3.2	20
79583.W0101	Nickel Plated Steel	83	100	21.5	13	48	-	3.2	20
79583.W0121	Nickel Plated Steel	99	120	24.5	16	60	-	3.2	20
79583.W0141	Nickel Plated Steel	121	140	28.5	19	70	13	3.2	20
79583.W0161	Nickel Plated Steel	140	160	29.5	24	80	13	3.2	20



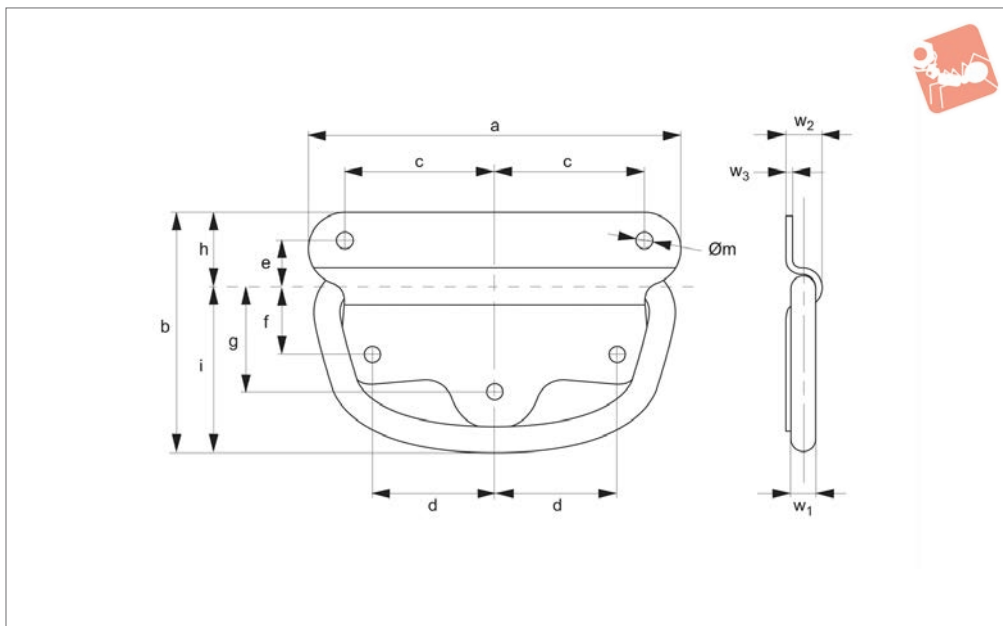
79584



Material

Steel, brass or zinc plated.

Order No.	Finish	a	b	c	d	e ₁	e ₂	g ₁	g ₂	Ø f	Weight g
79584.W0002	Brass Plated Steel	90	42	72	6.5	40	67	40	9	4.2	90
79584.W0112	Brass Plated Steel	110	57	84	6.5	48	84	55	13	4.5	90
79584.W0004	Zinc Plated Steel	90	42	72	6.5	40	67	40	9	4.2	90
79584.W0114	Zinc Plated Steel	110	57	84	6.5	48	84	55	13	4.5	90



79585

PULL HANDLES

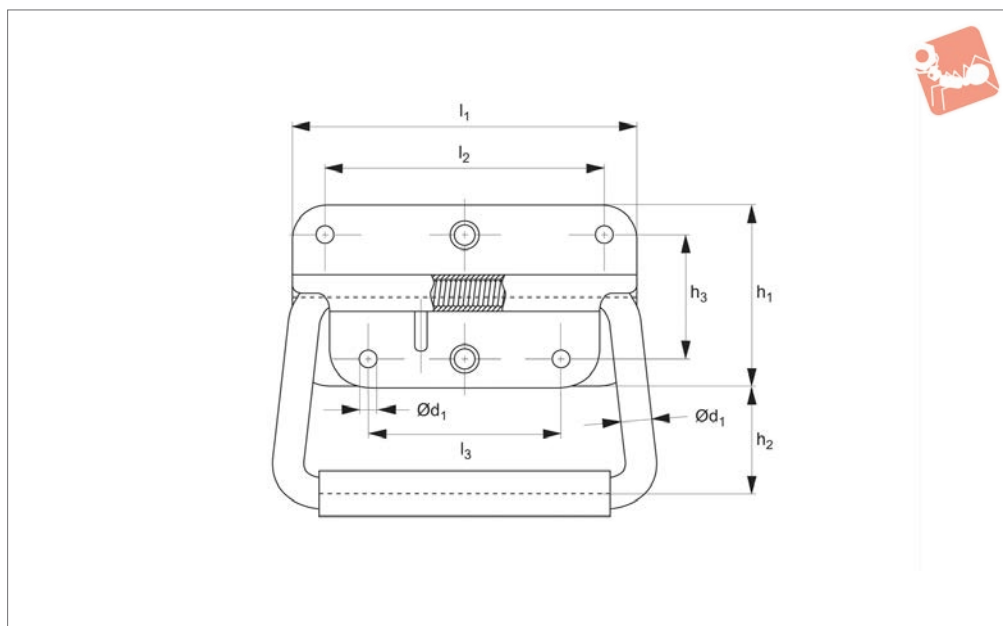
Material

Steel, brass or zinc plated.

Order No.	Finish	a	b	c	d	e	f	g	Ø m	h	i	w ₁	w ₂	w ₃	Weight g
79585.W0008	Brass	80	56.0	33.0	27.0	11	13	20	4.0	18	38.0	6.0	9	1	90
79585.W0009	Brass	90	61.0	37.5	30.0	11	20	28	4.4	17	44.0	6.5	9	1	90
79585.W0010	Brass	100	62.5	40.0	32.5	12	18	28	4.4	19	43.5	6.5	9	1	90
79585.W0011	Brass	110	66.5	45.0	37.5	13	25	37	5.0	19	47.5	7.0	9	1	90
79585.W0408	Zinc	80	56.0	33.0	27.0	11	13	20	4.0	18	38.0	6.0	9	1	90
79585.W0409	Zinc	90	61.0	37.5	30.0	11	20	28	4.4	17	44.0	6.5	9	1	90
79585.W0410	Zinc	100	62.5	40.0	32.5	12	18	28	4.4	19	43.5	6.5	9	1	90
79585.W0411	Zinc	110	66.5	45.0	37.5	13	25	37	5.0	19	47.5	7.0	9	1	90



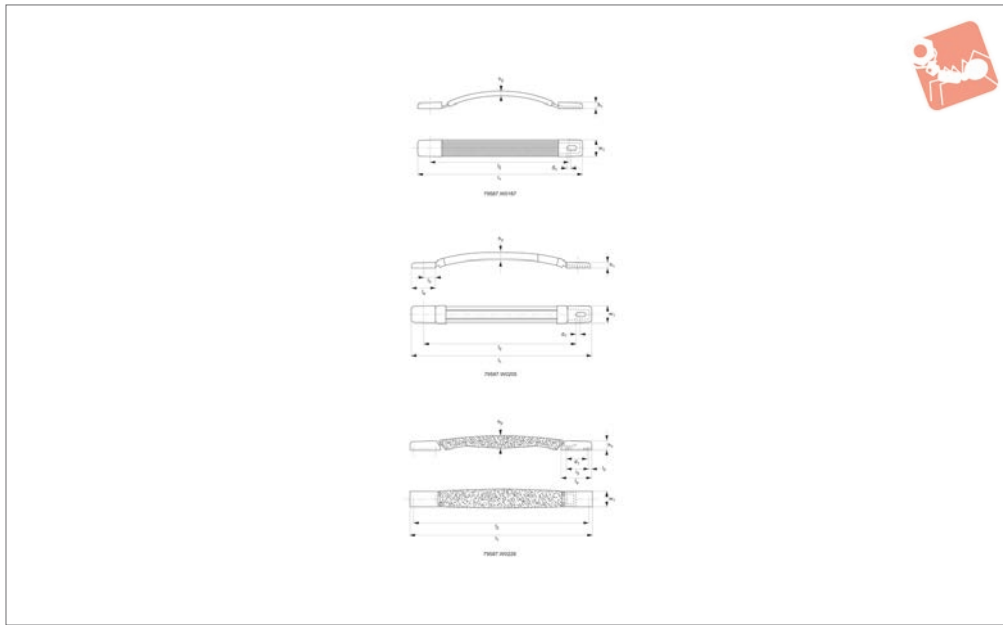
79586



Material

Steel, zinc plated.

Order No.	Finish	Length available	Ø d ₁	Ø d ₂	h ₁	h ₂	h ₃	l ₁	l ₂	l ₃	Weight g
79586.W0004	Zinc plated steel	100mm	8	5.2	54	30	36.5	103	82.5	57	120



79587

PULL HANDLES

Material

Black handles of soft plastic, 49620.W0187 & 49620.W0205 with steel spring inside.

Nickel plated steel cover caps.

tions.

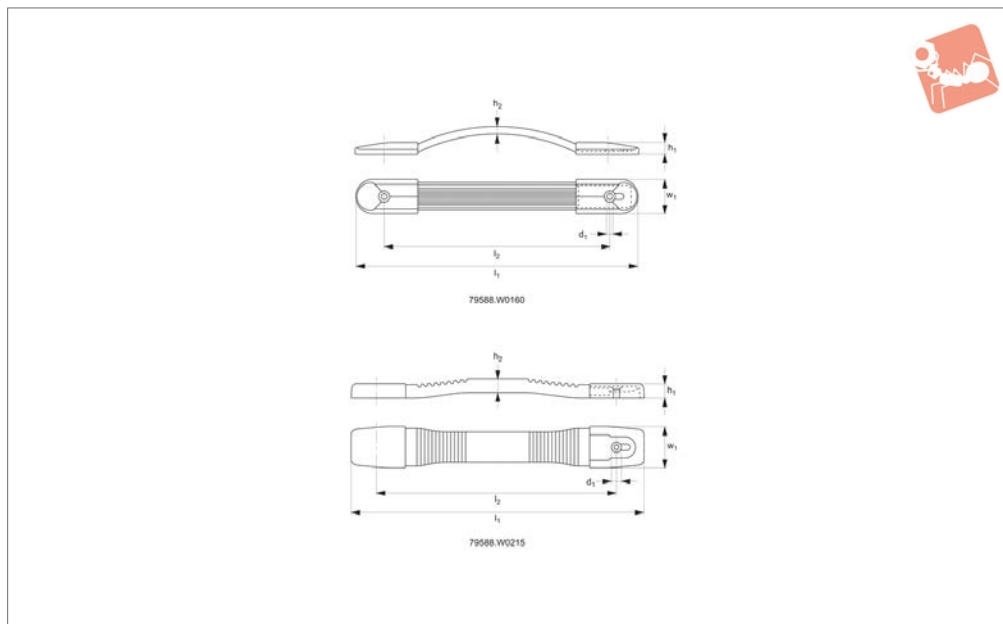
Technical Notes

For instruments, cases and similar applica-

Order No.	d_1	h_1	h_2	l_1	l_2	w_1	Stress resistance N
79587.W0187	4.5	8.6	8.0	223	187	23.3	300



79588



Material

Handles made of black soft plastic with a steel spring inside and black plastic cover

caps. For front mounting with countersunk screws (not included in delivery).

Order No.	d_1	h_1	h_2	l_1	l_2	w_1	Stress resistance N
79588.W0215	5.3	13	12	268	215	37	400
79588.W0160	4.3	8.5	5	203	160	25	400