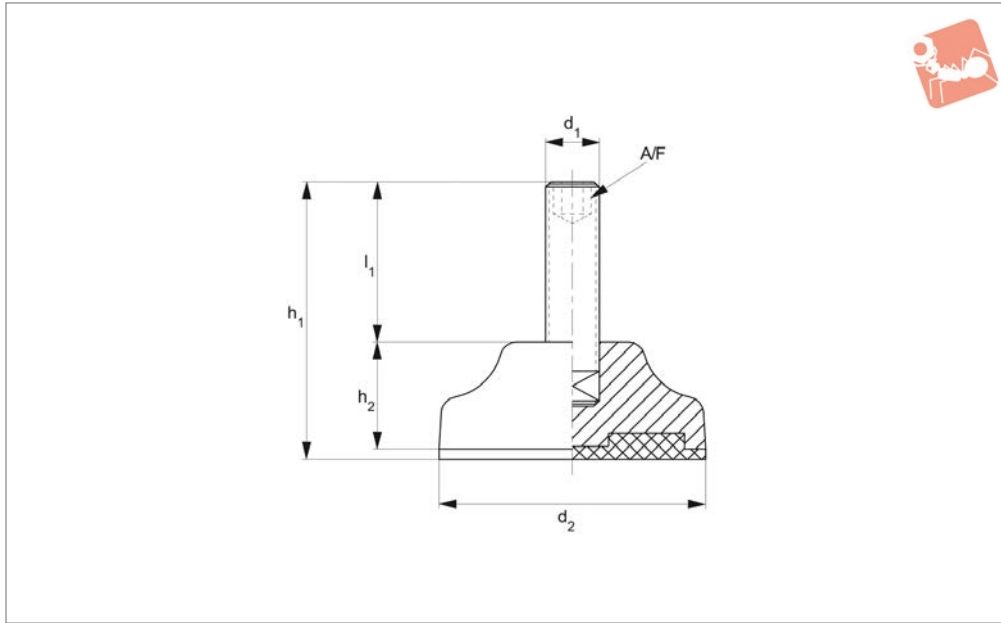




# Fixed Feet

steel with hex socket

# Levelling Feet



**34611**

LEVELLING FEET

### Material

Pad: polyamide reinforced by fibre glass with anti-slip pad.  
Bolt: steel (C40)

### Technical Notes

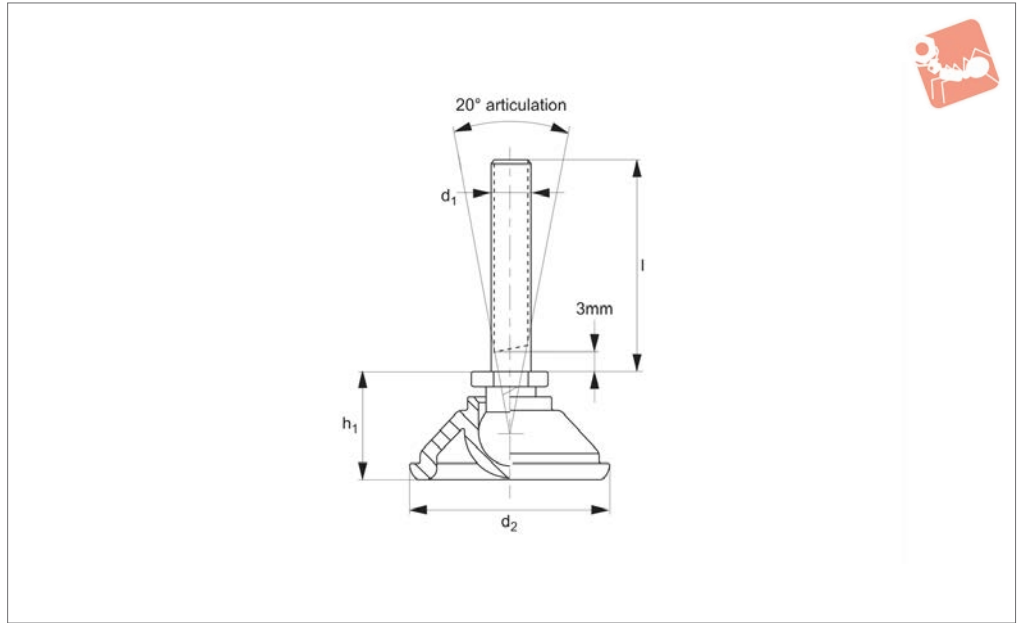
Load values refer to static loads, located at half the screw height.  
When vibrations or dynamic loads are

present these values should be reduced.

Order No.	d <sub>1</sub>	d <sub>2</sub>	l	h <sub>1</sub>	h <sub>2</sub>	A/F	Load kN max.
34611.W0800	M 8	40	25	44	19	4	5
34611.W0801	M 8	40	50	69	19	4	5
34611.W0802	M 8	50	25	48	23	4	6
34611.W0803	M 8	50	50	73	23	4	6
34611.W1000	M10	40	25	44	19	5	5
34611.W1001	M10	40	50	69	19	5	5
34611.W1002	M10	50	25	48	23	5	6
34611.W1003	M10	50	50	73	23	5	6



## 34721



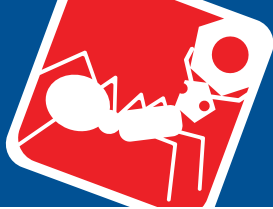
LEVELLING FEET

### Material

Pad: polyamide reinforced nylon.

Bolt: mild steel, plated.

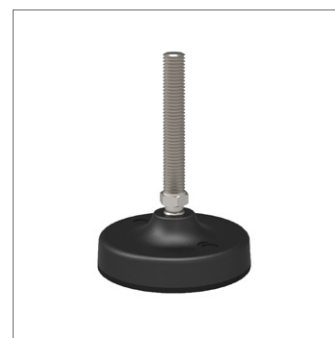
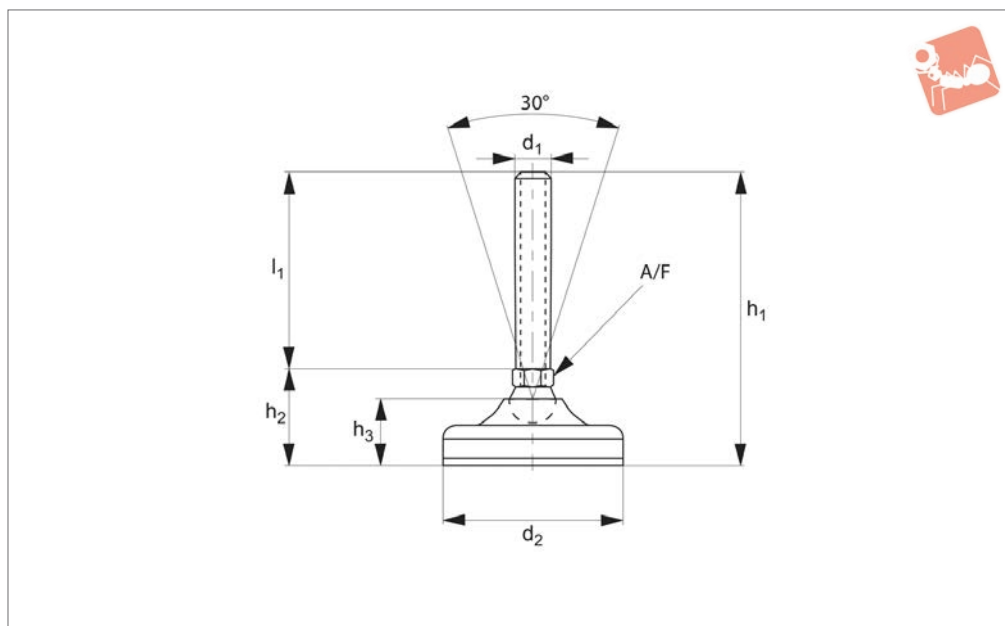
Order No.	d <sub>1</sub>	d <sub>2</sub>	l	h <sub>1</sub>	Static load kN max.
34721.W0060	M 6	40	20	21	3.0
34721.W0061	M 6	50	20	23	3.0
34721.W0062	M 6	40	40	21	3.0
34721.W0063	M 6	50	40	23	3.0
34721.W0080	M 8	40	25	21	4.5
34721.W0081	M 8	50	25	23	4.5
34721.W0082	M 8	40	40	21	4.5
34721.W0083	M 8	50	40	23	4.5
34721.W0084	M 8	40	60	21	4.5
34721.W0085	M 8	50	60	23	4.5
34721.W0100	M10	40	38	21	5.0
34721.W0101	M10	50	38	23	5.0
34721.W0102	M10	40	60	21	5.0
34721.W0103	M10	50	60	23	5.0
34721.W0104	M10	40	75	21	5.0
34721.W0105	M10	50	75	23	5.0
34721.W0120	M12	40	50	23	6.0
34721.W0121	M12	50	50	25	6.0
34721.W0122	M12	40	75	23	6.0
34721.W0123	M12	50	75	25	6.0
34721.W0124	M12	40	100	23	6.0
34721.W0125	M12	50	100	25	6.0
34721.W0126	M12	40	125	23	6.0
34721.W0127	M12	50	125	25	6.0



# Levelling Feet

plastic pad, bolt steel

# Levelling Feet



## 34723

LEVELLING FEET

### Material

Pad: polyamide reinforced by fibre glass with anti-slip pad.

Bolt: galvanized steel (C40)

### Technical Notes

Load values refer to static loads, located at half the screw height.

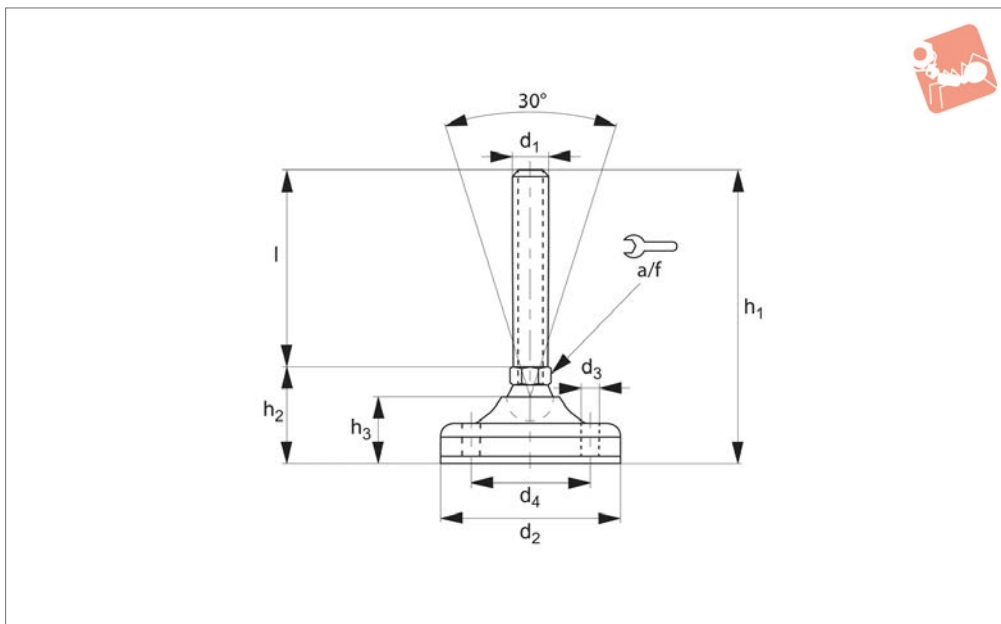
When vibrations or dynamic loads are

present these values should be reduced.

Order No.	d <sub>1</sub>	d <sub>2</sub>	h <sub>1</sub>	h <sub>2</sub>	h <sub>3</sub>	l <sub>1</sub>	A/F	Load kN max.
34723.W0801	M 8	40	55	30	19.5	25	12	10
34723.W0802	M 8	40	80	30	19.5	50	12	10
34723.W0803	M 8	40	105	30	19.5	75	12	10
34723.W0804	M 8	40	130	30	19.5	100	12	10
34723.W1000	M10	65	86	36	26.0	50	14	11
34723.W1001	M10	65	111	36	26.0	75	14	11
34723.W1002	M10	65	136	36	26.0	100	14	11
34723.W1003	M10	65	161	36	26.0	125	14	11
34723.W1200	M12	65	86	36	26.0	50	14	11
34723.W1201	M12	65	111	36	26.0	75	14	11
34723.W1202	M12	65	136	36	26.0	100	14	11
34723.W1203	M12	65	161	36	26.0	125	14	11
34723.W1400	M14	65	86	36	26.0	50	14	15
34723.W1401	M14	65	111	36	26.0	75	14	15
34723.W1402	M14	65	136	36	26.0	100	14	15
34723.W1403	M14	65	161	36	26.0	125	14	15
34723.W1404	M14	65	186	36	26.0	150	14	15
34723.W1405	M14	65	211	36	26.0	175	14	15
34723.W1600	M16	65	86	36	26.0	50	16	15
34723.W1601	M16	65	111	36	26.0	75	16	15
34723.W1602	M16	65	136	36	26.0	100	16	15
34723.W1603	M16	65	161	36	26.0	125	16	15
34723.W1604	M16	65	186	36	26.0	150	16@	15
34723.W1605	M16	65	211	36	26.0	175	16@	15
34723.W1606	M16	65	236	36	26.0	200	16@	15
34723.W2000	M20	65	115	40	26.0	75	17	15
34723.W2001	M20	65	140	40	26.0	100	17	15
34723.W2002	M20	65	165	40	26.0	125	17	15
34723.W2003	M20	65	190	40	26.0	150	17	15
34723.W2004	M20	65	215	40	26.0	175	17	15
34723.W2005	M20	65	240	40	26.0	200	17	15



## 34726



### Material

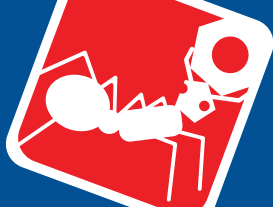
Pad: polyamide reinforced by fibre glass with anti-slip pad.  
Bolt: steel (C40)

### Technical Notes

Load values refer to static loads, located at half the screw height.  
When vibrations or dynamic loads are

present these values should be reduced.

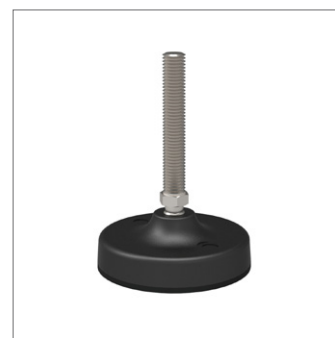
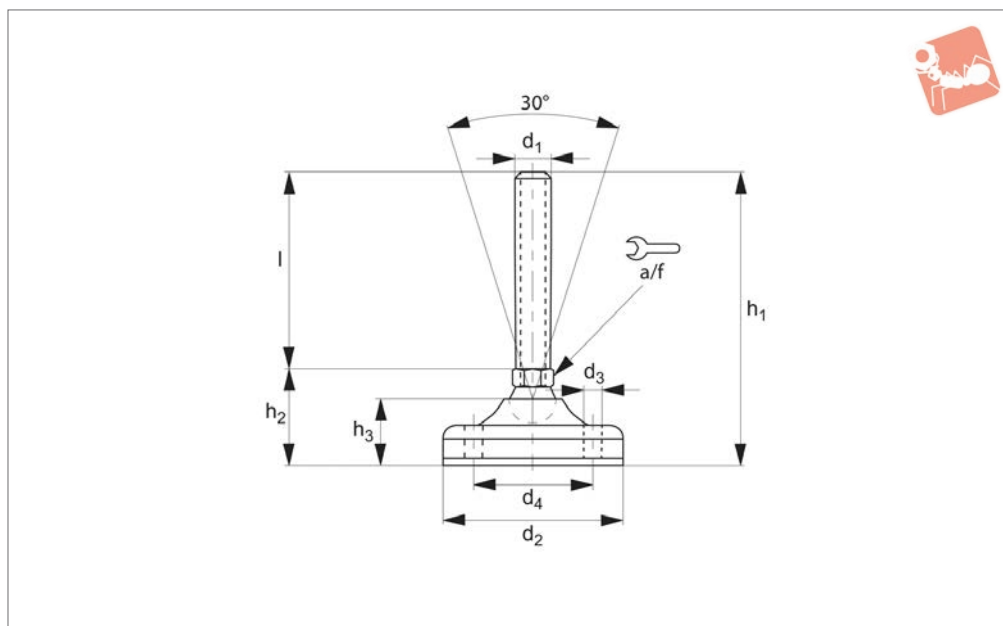
Order No.	d <sub>1</sub>	d <sub>2</sub>	d <sub>3</sub>	d <sub>4</sub>	l	h <sub>1</sub>	h <sub>2</sub>	h <sub>3</sub>	A/F	Load kN max.
34726.W1600	M16	123	12.5	73	50	110	60	40	20	35
34726.W1601	M16	123	12.5	73	75	135	60	40@	20	35
34726.W1602	M16	123	12.5	73	100	160	60	40	20	35
34726.W1603	M16	123	12.5	73	125	185	60	40@	20	35
34726.W1604	M16	123	12.5	73	150	210	60	40	20	35
34726.W1605	M16	123	12.5	73	175	235	60	40	20	35
34726.W1606	M16	123	12.5	73	200	260	60	40	20	35
34726.W1607	M16	123	12.5	73	225	288	60	40	20	35
34726.W2000	M20	123	12.5	73	75	135	60	40	20	35
34726.W2001	M20	123	12.5	73	100	160	60	40	20	35
34726.W2002	M20	123	12.5	73	125	185	60	40	20	35
34726.W2003	M20	123	12.5	73	150	210	60	40	20	35
34726.W2004	M20	123	12.5	73	175	235	60	40	20	35
34726.W2005	M20	123	12.5	73	200	260	60	40	20	35
34726.W2006	M20	123	12.5	73	225	285	60	40	20	35
34726.W2007	M20	123	12.5	73	250	310	60	40	20	35
34726.W2400	M24	123	12.5	73	75	135	60	40	20	35
34726.W2401	M24	123	12.5	73	100	160	60	40	20	35
34726.W2402	M24	123	12.5	73	125	185	60	40	20	35
34726.W2403	M24	123	12.5	73	150	210	60	40	20	35
34726.W2404	M24	123	12.5	73	175	235	60	40	20	35
34726.W2405	M24	123	12.5	73	200	260	60	40	20	35
34726.W2406	M24	123	12.5	73	225	285	60	40	20	35
34726.W2407	M24	123	12.5	73	250	310	60	40	20	35
34726.W3000	M30	123	12.5	73	100	161	60	40	20	35
34726.W3001	M30	123	12.5	73	125	186	60	40	20	35
34726.W3002	M30	123	12.5	73	150	211	60	40	20	35
34726.W3003	M30	123	12.5	73	175	236	60	40	20	35
34726.W3004	M30	123	12.5	73	200	261	60	40	20	35
34726.W3005	M30	123	12.5	73	225	286	60	40	20	35
34726.W3006	M30	123	12.5	73	250	311	60	40	20	35



# Levelling Feet

plastic pad, bolt steel

# Levelling Feet



**34724**

LEVELLING FEET

### Material

Pad: polyamide reinforced by fibre glass with anti-slip pad.  
Bolt: steel (C40)

### Technical Notes

Load values refer to static loads, located at half the screw height.  
When vibrations or dynamic loads are

present these values should be reduced.

Order No.	d <sub>1</sub>	d <sub>2</sub>	d <sub>3</sub>	d <sub>4</sub>	l	h <sub>1</sub>	h <sub>2</sub>	h <sub>3</sub>	A/F	Load kN max.
34724.W1000	M10	83	8.5	55	50	91	41	30	14	15
34724.W1001	M10	83	8.5	55	75	116	41	30	14	15
34724.W1002	M10	83	8.5	55	100	141	41	30	14	15
34724.W1003	M10	83	8.5	55	125	166	41	30	14	15
34724.W1200	M12	83	8.5	55	50	91	41	30	14	15
34724.W1201	M12	83	8.5	55	75	116	41	30	14	15
34724.W1202	M12	83	8.5	55	100	141	41	30	14	15
34724.W1203	M12	83	8.5	55	125	161	41	30	14	15
34724.W1400	M14	83	8.5	55	50	91	41	30	14	20
34724.W1401	M14	83	8.5	55	75	116	41	30	14	20
34724.W1402	M14	83	8.5	55	100	141	41	30	14	20
34724.W1403	M14	83	8.5	55	125	166	41	30	14	20
34724.W1404	M14	83	8.5	55	150	191	41	30	14	20
34724.W1405	M14	83	8.5	55	175	216	41	30	14	20
34724.W1600	M16	83	8.5	55	50	91	41	30	16	20
34724.W1601	M16	83	8.5	55	75	116	41	30	16	20
34724.W1602	M16	83	8.5	55	100	141	41	30	16	20
34724.W1603	M16	83	8.5	55	125	166	41	30	16	20
34724.W1604	M16	83	8.5	55	150	191	41	30	16	20
34724.W1605	M16	83	8.5	55	175	216	41	30	16	20
34724.W1606	M16	83	8.5	55	200	241	41	30	16	20
34724.W1607	M16	103	12.5	73	50	104	54	35@	20	25
34724.W1608	M16	103	12.5	73	75	129	54	35@	20	25
34724.W1609	M16	103	12.5	73	100	154	54	35@	20	25
34724.W1700	M16	103	12.5	73	125	179	54	35@	20	25
34724.W1701	M16	103	12.5	73	150	204	54	35@	20	25
34724.W1702	M16	103	12.5	73	175	229	54	35	20	25
34724.W1703	M16	103	12.5	73	200	254	54	35@	20	25
34724.W1704	M16	103	12.5	73	225	279	54	35@	20	25
34724.W2000	M20	83	8.5	55	75	119	44	30@	17	20
34724.W2001	M20	83	8.5	55	100	144	44	30	17	20
34724.W2002	M20	83	8.5	55	125	169	44	30	17	20
34724.W2003	M20	83	8.5	55	150	194	44	30	17	20



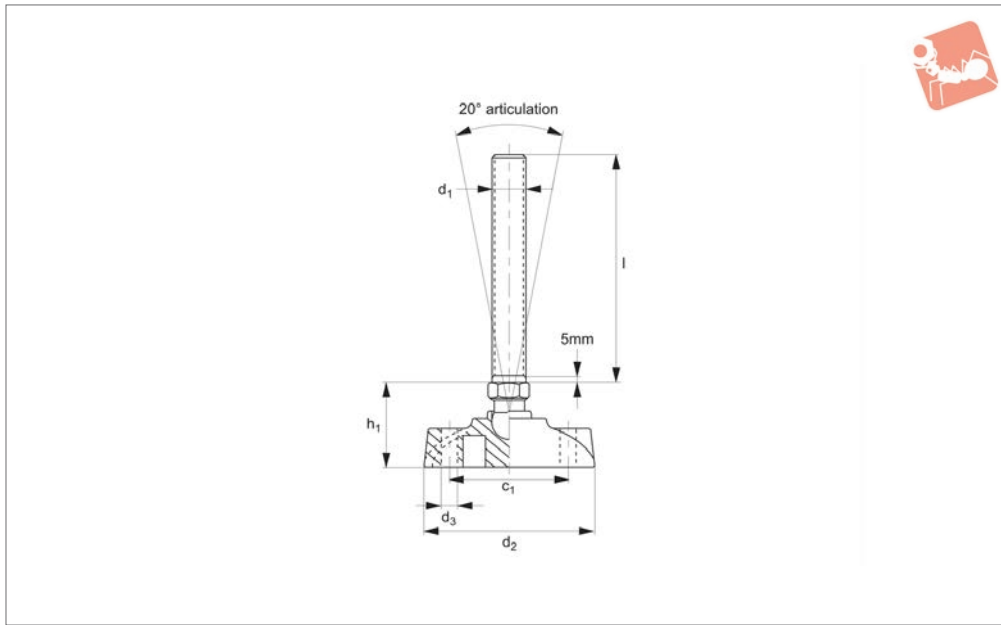
Order No.	d <sub>1</sub>	d <sub>2</sub>	d <sub>3</sub>	d <sub>4</sub>	l	h <sub>1</sub>	h <sub>2</sub>	h <sub>3</sub>	A/F	Load kN max.
34724.W2004	M20	83	8.5	55	175	219	44	30	17	20
34724.W2005	M20	83	8.5	55	200	244	44	30	17	20
34724.W2006	M20	83	8.5	55	225	269	44	30	17	20
34724.W2007	M20	103	12.5	73	75	129	54	35	20	25
34724.W2008	M20	103	12.5	73	100	154	54	35	20	25
34724.W2009	M20	103	12.5	73	125	179	54	35	20	25
34724.W2010	M20	103	12.5	73	150	204	54	35	20	25
34724.W2011	M20	103	12.5	73	175	229	54	35	20	25
34724.W2012	M20	103	12.5	73	200	254	54	35	20	25
34724.W2013	M20	103	12.5	73	225	279	54	35	20	25
34724.W2014	M20	103	12.5	73	250	304	54	35	20	25
34724.W2400	M24	103	12.5	73	75	129	54	35	20	25
34724.W2401	M24	103	12.5	73	100	154	54	35	20	25
34724.W2402	M24	103	12.5	73	125	179	54	35	20	25
34724.W2403	M24	103	12.5	73	150	204	54	35	20	25
34724.W2404	M24	103	12.5	73	175	229	54	35	20	25
34724.W2405	M24	103	12.5	73	200	254	54	35	20	25
34724.W2406	M24	103	12.5	73	225	279	54	35	20	25
34724.W2407	M24	103	12.5	73	250	304	54	35	20	25



# Levelling Feet - Bolt Down

pad plastic, bolt steel

# Levelling Feet



**34722**

LEVELLING FEET

### Material

Pad: polyamide reinforced nylon.  
Bolt: mild steel, electrolyses nickel plated.

### Technical Notes

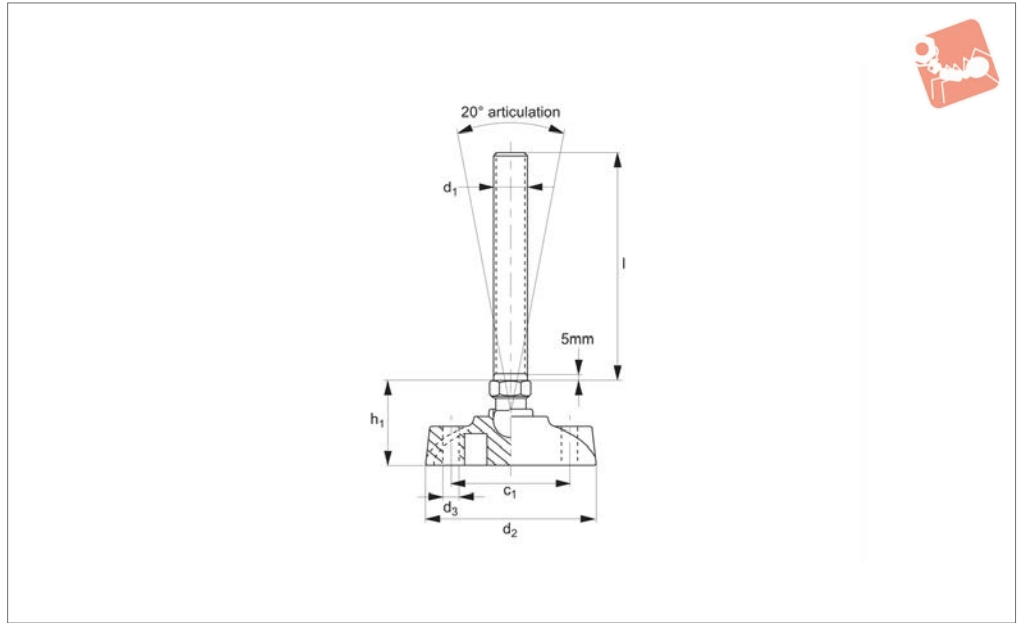
Supplied with plastic mounting hole plugs, these prevent material and waste entering

the mounting holes, thus simplifying cleaning and maintenance.

Order No.	$d_2$	$d_3$	$l$	$c_1$	$h_1$	Static load kN max.	Thread size $d_1$
<b>34722.W0620</b>	100	10.5	75	70	42	10	M12
<b>34722.W0621</b>	100	10.5	125	70	42	10	M12
<b>34722.W0661</b>	100	10.5	125	70	45	20	M16
<b>34722.W0662</b>	100	10.5	150	70	45	20	M16
<b>34722.W0663</b>	100	10.5	200	70	45	20	M16
<b>34722.W0700</b>	100	10.5	125	70	49	20	M20
<b>34722.W0701</b>	100	10.5	150	70	49	20	M20
<b>34722.W0720</b>	100	10.5	125	70	53	20	M24
<b>34722.W0721</b>	100	10.5	150	70	53	20	M24
<b>34722.W0722</b>	100	10.5	200	70	53	20	M24
<b>34722.W0723</b>	100	10.5	250	70	53	20	M24



**34742**



### Material

Pad: polyamide reinforced nylon.  
Bolt: stainless steel AISI 303.

### Technical Notes

Supplied with plastic mounting hole plugs, these prevent material and waste entering

the mounting holes, thus simplifying cleaning and maintenance.

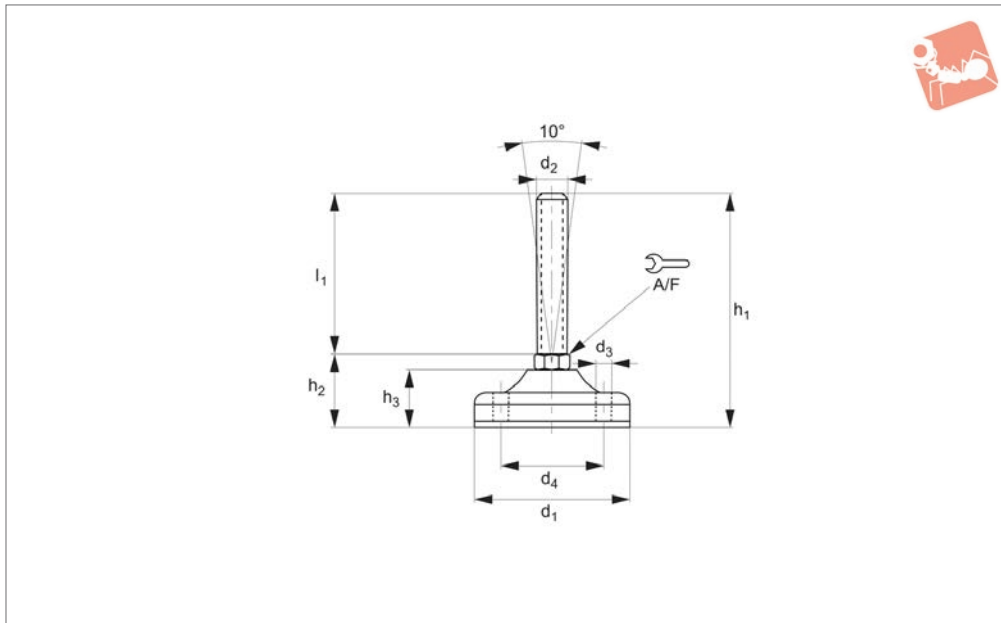
Order No.	$d_1$	$d_2$	$d_3$	$l$	$c_1$	$h_1$	Static load kN max.
34742.W0620	M12	100	10.5	75	70	42	10
34742.W0621	M12	100	10.5	125	70	42	10
34742.W0660	M16	100	10.5	75	70	45	20
34742.W0662	M16	100	10.5	150	70	45	20
34742.W0663	M16	100	10.5	200	70	45	20
34742.W0700	M20	100	10.5	125	70	49	20
34742.W0701	M20	100	10.5	150	70	49	20
34742.W0702	M20	100	10.5	200	70	49	20
34742.W0720	M24	100	10.5	125	70	53	20
34742.W0721	M24	100	10.5	150	70	53	20
34742.W0722	M24	100	10.5	200	70	53	20





# Plastic Levelling Feet steel stud

## Levelling Feet



### 34753

LEVELLING FEET

#### Material

Black plastic base (reinforced with fibre glass), with steel (C40) stud.

#### Technical Notes

Load values refer to static loads, located at half the screw height.

Order No.	d <sub>1</sub>	d <sub>2</sub>	d <sub>3</sub>	d <sub>4</sub>	l	h <sub>1</sub>	h <sub>2</sub>	h <sub>3</sub>	A/F
<b>34753.W1601</b>	83	M16	8.5	56	75	114	39	31	16
<b>34753.W3006</b>	123	M30	12.5	87	250	303	53	40	26