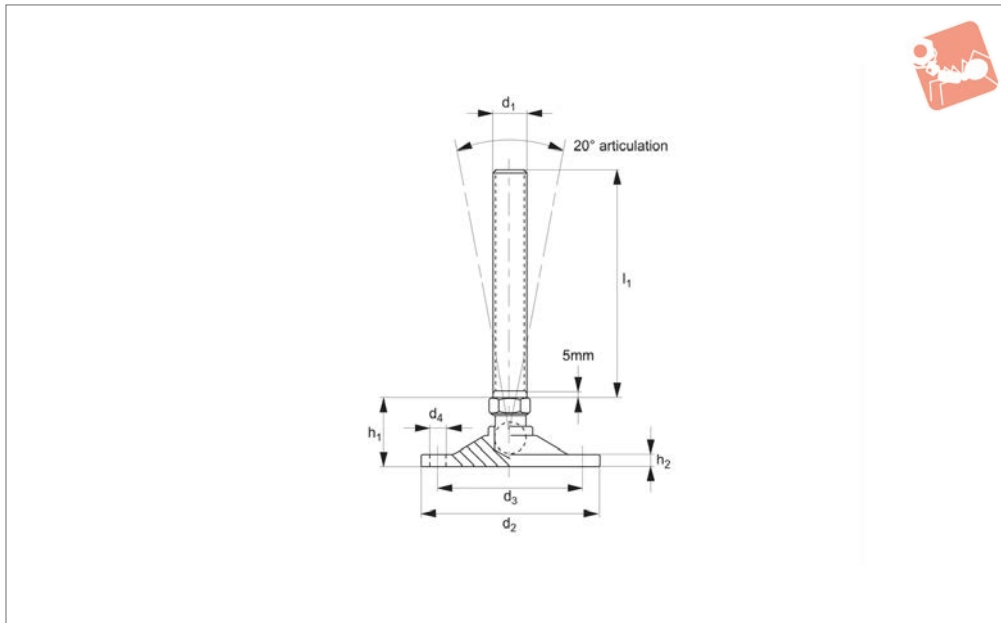




Levelling Feet - Bolt Down pad and bolt steel

Levelling Feet



34702

LEVELLING FEET

Material

Pad and bolt: mild steel, nickel plated.

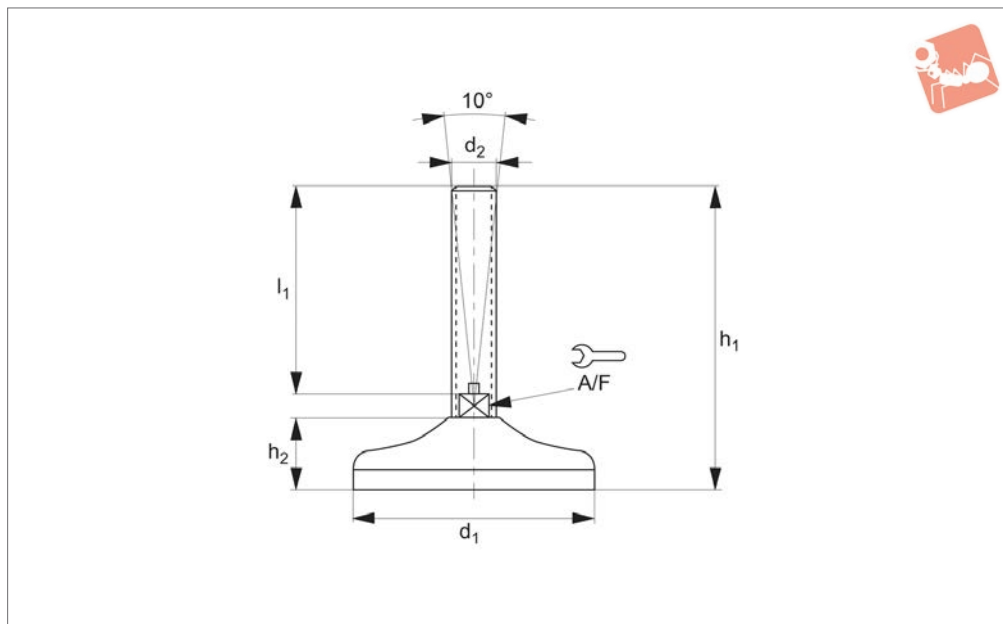
Technical Notes

Bolt has a 20° angle of movement.

Order No.	d ₁	d ₂	d ₃	d ₄	h ₁	h ₂	l ₁	Static load kN max.
34702.W0508	M 8	50	40	5.5	22	4.0	60	3.0
34702.W0600	M10	50	40	5.5	22	4.0	75	5.0
34702.W0621	M12	60	50	5.5	25	5.0	75	12.5
34702.W0622	M12	60	50	5.5	25	5.0	125	12.5
34702.W0623	M12	60	50	5.5	25	5.0	150	12.5
34702.W0660	M16	80	68	6.5	31	6.0	75	17.5
34702.W0661	M16	80	68	6.5	31	6.0	125	17.5
34702.W0662	M16	80	68	6.5	31	6.0	150	17.5
34702.W0700	M20	100	82	9.0	39	6.5	125	25.0
34702.W0701	M20	100	82	9.0	39	6.5	150	25.0
34702.W0702	M20	100	82	9.0	39	6.5	200	25.0
34702.W0741	M24	120	100	11.0	56	7.5	150	37.5
34702.W0742	M24	120	100	11.0	56	7.5	200	37.5



34703



Material

Galvanized steel (C40), with rubber pad (70 shore A).

Technical Notes

Load values refer to static loads, located at half the screw height.

Order No.	d ₁	d ₂	h ₁	h ₂	l ₁	A/F	Load kgf max.
34703.W1200	50	M12	79	19	50	14	400
34703.W1201	50	M12	129	19	100	14	400
34703.W1202	50	M12	179	19	150	14	400
34703.W1400	50	M14	79	19	50	14	400
34703.W1401	50	M14	129	19	100	14	400
34703.W1402	50	M14	179	19	150	14	400
34703.W1600	50	M16	104	19	75	14	400
34703.W1601	50	M16	129	19	100	14	400
34703.W1602	50	M16	179	19	150	14	400
34703.W1002	80	M10	85	25	50	14	1000
34703.W1003	80	M10	135	25	100	14	1000
34703.W1203	80	M12	85	25	50	14	1000
34703.W1204	80	M12	135	25	100	14	1000
34703.W1205	80	M12	185	25	150	14	1000
34703.W1403	80	M14	85	25	50	14	1000
34703.W1404	80	M14	135	25	100	14	1000
34703.W1405	80	M14	185	25	150	14	1000
34703.W1603	80	M16	85	25	75	14	1000
34703.W1605	80	M16	185	25	150	14	1000
34703.W2000	80	M20	111	25	75	14	1000
34703.W2001	80	M20	136	25	100	14	1000
34703.W2002	80	M20	186	25	150	14	1000
34703.W2003	80	M20	236	25	200	14	1000
34703.W2400	80	M24	111	25	75	14	1000
34703.W2401	80	M24	136	25	100	14	1000
34703.W2402	80	M24	186	25	150	14	1000
34703.W2403	80	M24	236	25	200	14	1000
34703.W1606	100	M16	112.5	28	75	16	1500
34703.W1607	100	M16	137.5	28	100	16	1500
34703.W1608	100	M16	187.5	28	150	16	1500
34703.W1609	100	M16	237.5	28	200	16	1500
34703.W2004	100	M20	113.5	28	75	20	1500
34703.W2005	100	M20	138.5	28	100	20	1500
34703.W2006	100	M20	188.5	28	150	20	1500

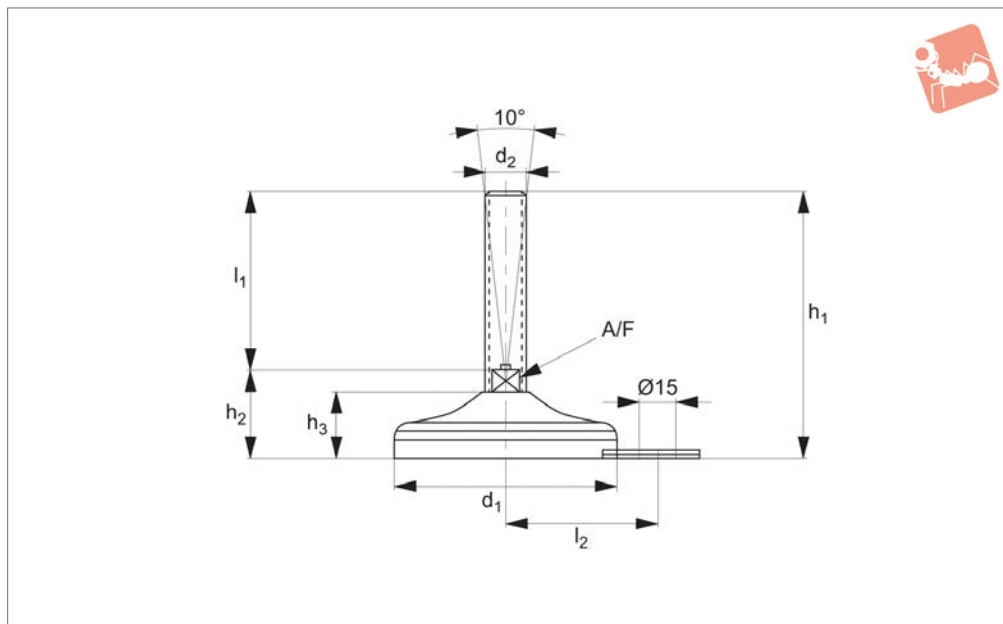


Order No.	d ₁	d ₂	h ₁	h ₂	l ₁	A/F	Load kgf max.
34703.W2007	100	M20	238.5	28	200	20	1500
34703.W2008	100	M20	288.5	28	250	20	1500
34703.W2404	100	M24	138.5	28	100	24	1500
34703.W2405	100	M24	188.5	28	150	24	1500
34703.W2406	100	M24	238.5	28	200	24	1500
34703.W2407	100	M24	288.5	28	250	24	1500
34703.W3000	100	M30	139.5	28	100	30	1500
34703.W3001	100	M30	189.5	28	150	30	1500
34703.W3002	100	M30	239.5	28	200	30	1500
34703.W3003	100	M30	289.5	28	250	30	1500
34703.W1610	120	M16	116.5	32	75	16	3000
34703.W1611	120	M16	141.5	32	100	16	3000
34703.W1612	120	M16	191.5	32	150	16	3000
34703.W1613	120	M16	241.5	32	200	16	3000
34703.W2009	120	M20	117.5	32	75	20	3000
34703.W2010	120	M20	142.5	32	100	20	3000
34703.W2011	120	M20	192.5	32	150	20	3000
34703.W2012	120	M20	242.5	32	200	20	3000
34703.W2013	120	M20	292.5	32	250	20	3000
34703.W2408	120	M24	142.5	32	100	24	3000
34703.W2409	120	M24	192.5	32	150	24	3000
34703.W2410	120	M24	242.5	32	200	24	3000
34703.W2411	120	M24	292.5	32	250	24	3000
34703.W3004	120	M30	143.5	32	100	30	3000
34703.W3005	120	M30	193.5	32	150	30	3000
34703.W3006	120	M30	243.5	32	200	30	3000
34703.W3007	120	M30	293.5	32	250	30	3000

LEVELLING FEET



34704



Material

Base material: galvanized steel (C40).
Full Steel base with vulcanized rubber.

half the screw height.

In conditions of vibrations or in presence of dynamic loads these values should be reduced.

Technical Notes

Load values refer to static loads, located at

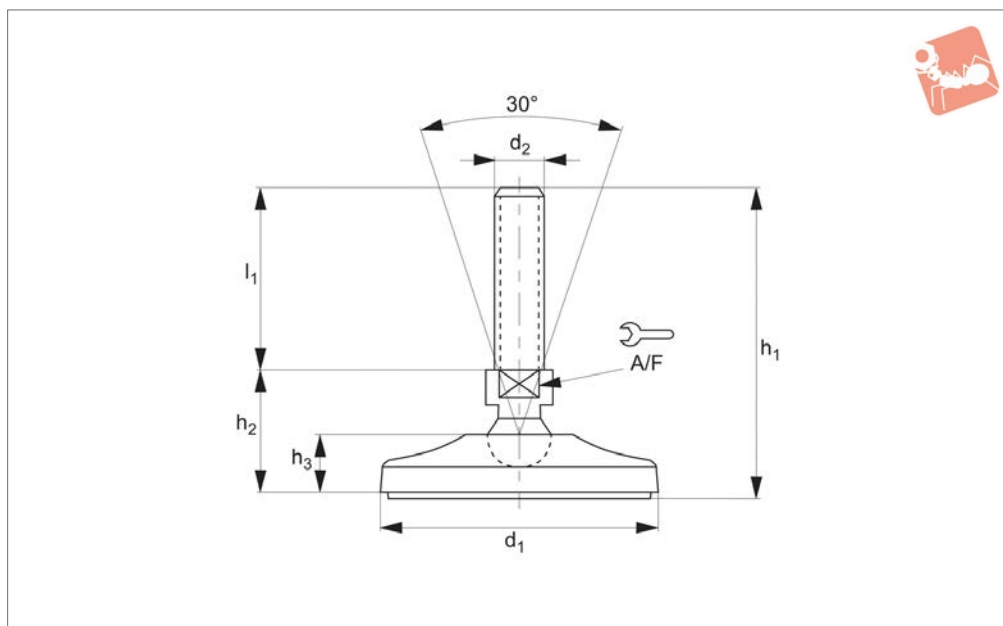
Order No.	d ₁	d ₂	h ₁	h ₂	h ₃	l ₁	l ₂	A/F	Load kgf max.	Weight g
34704.W1200	80	M12	85.0	35.0	25	50	54	14	1000	303
34704.W1201	80	M12	135.0	35.0	25	100	54	14	1000	335
34704.W1202	80	M12	185.0	35.0	25	150	54	14	1000	372
34704.W1400	80	M14	85.0	35.0	25	50	54	14	1000	316
34704.W1401	80	M14	135.0	35.0	25	100	54	14	1000	363
34704.W1402	80	M14	185.0	35.0	25	150	54	14	1000	413
34704.W1600	80	M16	110.0	35.0	25	75	54	16	1000	367
34704.W1601	80	M16	135.0	35.0	25	100	54	16	1000	399
34704.W1602	80	M16	185.0	35.0	25	150	54	16	1000	464
34704.W1603	80	M16	235.0	35.0	25	200	54	16	1000	527
34704.W2000	80	M20	111.0	36.0	25	75	54	20	1000	430
34704.W2001	80	M20	136.0	36.0	25	100	54	20	1000	480
34704.W2002	80	M20	186.0	36.0	25	150	54	20	1000	582
34704.W2003	80	M20	236.0	36.0	25	200	54	20	1000	683
34704.W2400	80	M24	111.0	36.0	25	75	54	24	1000	503
34704.W2401	80	M24	136.0	36.0	25	100	54	24	1000	576
34704.W2402	80	M24	186.0	36.0	25	150	54	24	1500	721
34704.W2403	80	M24	236.0	36.0	25	200	54	24	1500	867
34704.W1604	100	M16	112.5	37.5	28	75	69	16	1500	505
34704.W1605	100	M16	137.5	37.5	28	100	69	16	1500	537
34704.W1606	100	M16	187.5	37.5	28	150	69	16	1500	602
34704.W1607	100	M16	237.5	37.5	28	200	69	16	1500	665
34704.W2004	100	M20	113.5	38.5	28	75	69	20	1500	568
34704.W2005	100	M20	138.5	38.5	28	100	69	20	1500	618
34704.W2006	100	M20	188.5	38.5	28	150	69	20	1500	720
34704.W2007	100	M20	238.5	38.5	28	200	69	20	1500	821
34704.W2008	100	M20	288.5	38.5	28	250	69	20	1500	924
34704.W2404	100	M24	138.5	38.5	28	100	69	24	1500	641
34704.W2405	100	M24	188.5	38.5	28	150	69	24	1500	714
34704.W2406	100	M24	238.5	38.5	28	200	69	24	1500	859
34704.W2407	100	M24	288.5	38.5	28	250	69	24	1500	1005



Order No.	d ₁	d ₂	h ₁	h ₂	h ₃	l ₁	l ₂	A/F	Load kgf max.	Weight g
34704.W3000	100	M30	139.5	39.5	28	100	69	30	1500	906
34704.W3001	100	M30	189.5	39.5	28	150	69	30	1500	1139
34704.W3002	100	M30	239.5	39.5	28	200	69	30	1500	1363
34704.W3003	100	M30	289.5	39.5	28	250	69	30	1500	1593



34705



Material

Steel (C40), powder coated (RAL 1007), with rubber pad (70 shore A).

Technical Notes

Load values refer to static loads, located at half the screw height.

Order No.	d ₁	d ₂	h ₁	h ₂	h ₃	l ₁	A/F	Load kgf max.
34705.W1000	50	M10	56	31	19	25	14	1500
34705.W1001	50	M10	81	31	19	50	14	1500
34705.W1003	50	M10	131	31	19	100	14	1500
34705.W1200	50	M12	56	31	19	25	14	1500
34705.W1201	50	M12	81	31	19	50	14	1500
34705.W1202	50	M12	106	31	19	75	14	1500
34705.W1203	50	M12	131	31	19	100	14	1500
34705.W1204	50	M12	156	31	19	125	14	1500
34705.W1400	50	M14	56	31	19	25	14	1500
34705.W1401	50	M14	81	31	19	50	14	1500
34705.W1402	50	M14	106	31	19	75	14	1500
34705.W1403	50	M14	131	31	19	100	14	1500
34705.W1404	50	M14	156	31	19	125	14	1500
34705.W1405	65	M14	83	33	20	50	16	2000
34705.W1406	65	M14	108	33	20	75	16	2000
34705.W1407	65	M14	133	33	20	100	16	2000
34705.W1408	65	M14	158	33	20	125	16	2000
34705.W1409	65	M14	183	33	20	150	16	2000
34705.W1600	65	M16	83	33	20	50	16	2000
34705.W1601	65	M16	108	33	20	75	16	2000
34705.W1602	65	M16	133	33	20	100	16	2000
34705.W1603	65	M16	158	33	20	125	16	2000
34705.W1604	65	M16	183	33	20	150	16	2000
34705.W1605	65	M16	208	33	20	175	16	2000
34705.W1606	80	M16	86	36	23	50	16	3000
34705.W1607	80	M16	111	36	23	75	16	3000
34705.W1608	80	M16	136	36	23	100	16	3000
34705.W1609	80	M16	161	36	23	125	16	3000
34705.W1610	80	M16	186	36	23	150	16	3000
34705.W1611	80	M16	211	36	23	175	16	3000
34705.W1612	80	M16	236	36	23	200	16	3000
34705.W2000	80	M20	114	39	23	75	17	3000
34705.W2001	80	M20	139	39	23	100	17	3000
34705.W2002	80	M20	164	39	23	125	17	3000



Steel Levelling Feet



Levelling Feet

Order No.	d ₁	d ₂	h ₁	h ₂	h ₃	l ₁	A/F	Load kgf max.
34705.W2003	80	M20	189	39	23	150	17	3000
34705.W2004	80	M20	214	39	23	175	17	3000
34705.W2005	80	M20	239	39	23	200	17	3000
34705.W2006	80	M20	264	39	23	225	17	3000
34705.W1613	100	M16	96	46	23	50	20	3500
34705.W1614	100	M16	121	46	23	75	20	3500
34705.W1617	100	M16	196	46	23	150	20	3500
34705.W1618	100	M16	221	46	23	175	20	3500
34705.W1619	100	M16	246	46	23	200	20	3500
34705.W2007	100	M20	121	46	23	75	20	4500
34705.W2008	100	M20	146	46	23	100	20	4500
34705.W2009	100	M20	171	46	23	125	20	4500
34705.W2010	100	M20	196	46	23	150	20	4500
34705.W2011	100	M20	221	46	23	175	20	4500
34705.W2012	100	M20	246	46	23	200	20	4500
34705.W2013	100	M20	271	46	23	225	20	4500
34705.W2014	100	M20	296	46	23	250	20	4500
34705.W2400	100	M24	122	47	23	75	20	5500
34705.W2401	100	M24	147	47	23	100	20	5500
34705.W2402	100	M24	172	47	23	125	20	5500
34705.W2403	100	M24	202	47	23	150	20	5500
34705.W2404	100	M24	222	47	23	175	20	5500
34705.W2405	100	M24	247	47	23	200	20	5500
34705.W2406	100	M24	272	47	23	225	20	5500
34705.W2407	100	M24	297	47	23	250	20	5500
34705.W1620	120	M16	99	49	26	50	20	3500
34705.W1621	120	M16	104	49	26	75	20	3500
34705.W1622	120	M16	149	49	26	100	20	3500
34705.W1623	120	M16	174	49	26	125	20	3500
34705.W1624	120	M16	199	49	26	150	20	3500
34705.W1626	120	M16	249	49	26	200	20	3500
34705.W2015	120	M20	124	49	26	75	20	4500
34705.W2016	120	M20	149	49	26	100	20	4500
34705.W2017	120	M20	174	49	26	125	20	4500
34705.W2018	120	M20	199	49	26	150	20	4500
34705.W2019	120	M20	224	49	26	175	20	4500
34705.W2020	120	M20	249	49	26	200	20	4500
34705.W2021	120	M20	274	49	26	225	20	4500
34705.W2022	120	M20	299	49	26	250	20	4500
34705.W2408	120	M24	125	50	26	75	20	5500
34705.W2409	120	M24	150	50	26	100	20	5500
34705.W2410	120	M24	175	50	26	125	20	5500
34705.W2411	120	M24	200	50	26	150	20	5500
34705.W2412	120	M24	225	50	26	175	20	5500
34705.W2413	120	M24	250	50	26	200	20	5500
34705.W2414	120	M24	275	50	26	225	20	5500
34705.W2415	120	M24	300	50	26	250	20	5500
34705.W3000	120	M30	150	50	26	100	26	6500
34705.W3001	120	M30	175	50	26	125	26	6500
34705.W3002	120	M30	200	50	26	150	26	6500
34705.W3003	120	M30	225	50	26	175	26	6500
34705.W3004	120	M30	250	50	26	200	26	6500
34705.W3005	120	M30	275	50	26	225	26	6500
34705.W3006	120	M30	300	50	26	250	26	6500

LEVELLING FEET