

## 34900

MACHINE MOUNTS

### Material

Steel body with silver zinc plated thread.  
Synthetic rubber pad (65-70 Shore A) with

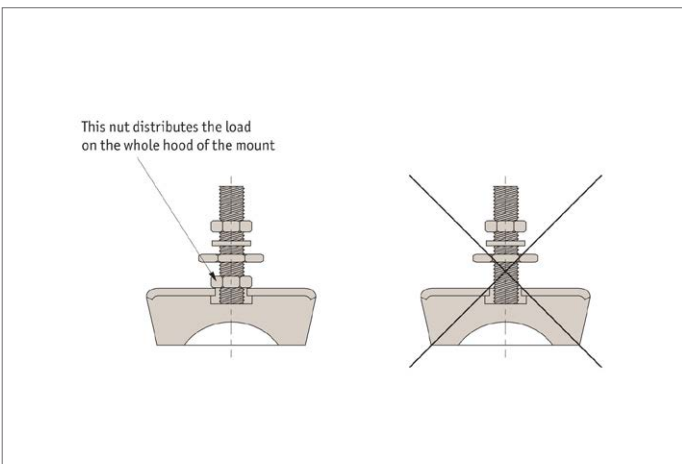
anti-slide cavity.

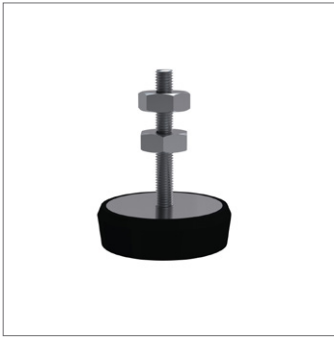
vibrations and for irregular floors.

### Technical Notes

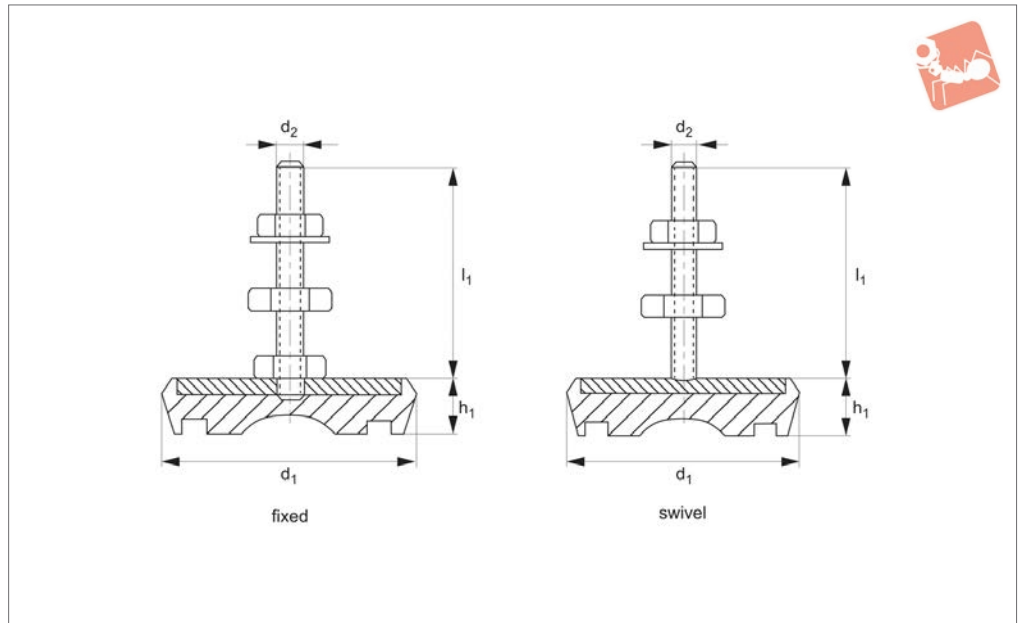
Suitable for machinery with low frequency

Order No.	$d_1$	$h_1$	$d_2$	$l_1$	Load range kgf
34900.W0048	48	23	M 8	40	0-80
34900.W0060	60	25	M10	83	50-120
34900.W0075	75	30	M12	90	80-150
34900.W0090	90	33	M12	90	120-300
34900.W0105	105	38	M16	110	250-500
34900.W0125	125	45	M16	110	400-800
34900.W0150	150	55	M16	110	600-1000
34900.W0170	170	57	M16	110	1000-1600
34900.W0187	187	70	M20	115	1400-2400
34900.W0210	210	75	M20	115	2000-3500





## 34910



### Material

Steel body with zinc plated thread.  
Synthetic rubber base (65 Shore A), with anti-slide cavity.

### Technical Notes

Suitable for medium and high frequency

vibrations and with smooth floors.

### Tips

For inclined floors use the swivel base versions (M12 and M16).  
The swivel base versions have a separate screw which rests in the concave cup on the

top portion of the foot body.

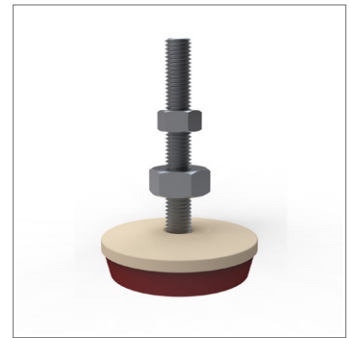
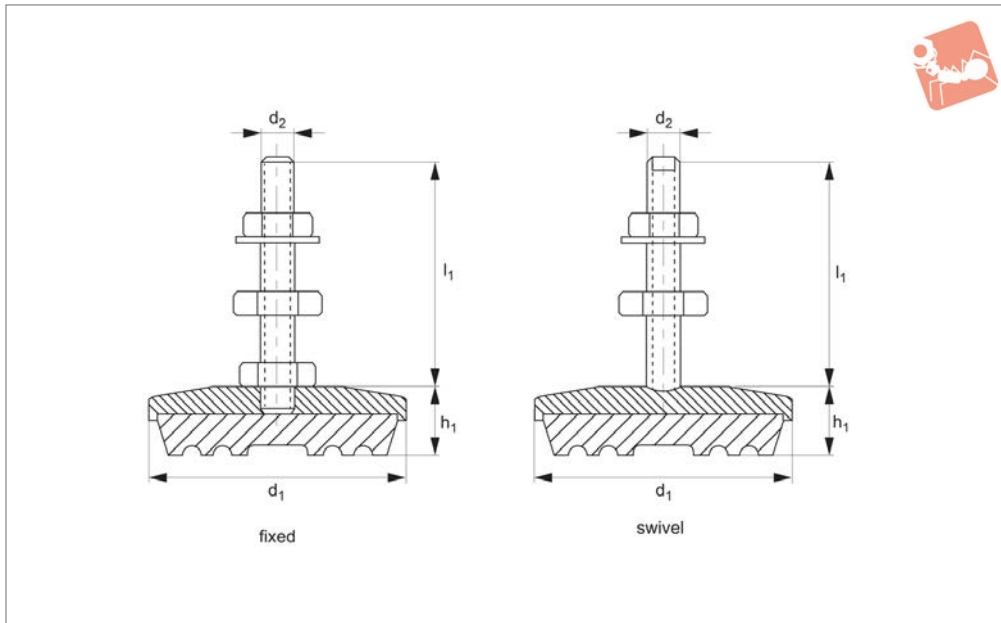
Order No.	Style	d <sub>1</sub>	h <sub>1</sub>	d <sub>2</sub>	l <sub>1</sub>	Load range kgf
34910.W0040	Fixed	40	15	M 8	40	0-60
34910.W0063	Fixed	63	18	M10	83	30-100
34910.W0070	Fixed	70	22	M12	90	80-150
34910.W0090	Fixed	90	25	M12	90	100-350
34910.W0106	Fixed	106	29	M16	110	300-600
34910.W0127	Fixed	127	33	M16	110	500-900
34910.W0150	Fixed	150	39	M16	110	800-1500
34910.W0170	Fixed	170	42	M16	110	1300-2000
34910.W0370	Swivel	70	22	M12	90	80-150
34910.W0390	Swivel	90	26	M12	90	100-350
34910.W0406	Swivel	106	32	M16	110	300-600
34910.W0427	Swivel	127	33	M16	110	500-900
34910.W0450	Swivel	150	39	M16	110	800-1500
34910.W0470	Swivel	170	42	M16	110	1300-2000



# Heavy Duty Machine Mounts

polyurethane base

## Machine Mounts



**34930**

MACHINE MOUNTS

### Material

Steel (GGG-40) coated body with zinc plated thread. Polyurethane base (65-90 Shore A).

deflection and maximum adherence due to shape of base.

Resistant to water, oil, high and low temperatures, abrasions and shocks.

tions where there is high risk of deterioration due to oil and other substances.

Also available in stainless steel - see product number 34990.

### Technical Notes

High resistance machine mounts, little

### Tips

Suitable for heavy machining and condi-

Order No.	Style	d <sub>1</sub>	h <sub>1</sub>	d <sub>2</sub>	l <sub>1</sub>	Load range kgf
34930.W0065	Fixed	65	22	M12	90	200-800
34930.W0100	Fixed	100	30	M16	110	800-2000
34930.W0120	Fixed	120	33	M20	120	2000-4000
34930.W0180	Fixed	180	40	M20	115	4000-6000
34930.W0217	Fixed	217	52	M24	145	5000-10000
34930.W0400	Swivel	100	30	M16	95	500-2000
34930.W0420	Swivel	120	33	M20	120	2000-4000
34930.W0480	Swivel	180	40	M20	130	4000-6000
34930.W0617	Swivel	217	52	M24	150	5000-10000