

63050

LIFTING POINTS & SHACKLES

Material

High tensile steel, strength class >8.
Supplied with CE certificate.

Technical Notes

Double articulation.
Very low overhang for improved safety.
Large support surface.
Longer or shorter thread lengths can be supplied but please consult our technical department for this information if required.
For use in temperatures from -20°C to +200°C. Can be used in lower or higher

temperatures but this affects the load rating – please ask for more information. Please refer to our technical information pages when specifying and/or using.

Tips

Double articulation allows perfect alignment with the sling if the part rotates during the lift.
With „automatic“ position recovery system for best orientation to sling direction.
Tighten by hex. key or spanner.

Important Notes

The thread diameter and depth must be appropriate to the material into which it will be installed:
Steel (min. ST37) – 1 x thread dia.
Cast iron – 1.25 x thread dia.
Aluminium – 2 x thread dia.
Other light metals – 2.5 x thread dia.
Tolerance of female thread to be 6H (metric) or UNC-2B (inch).
Please refer to the safety documentation before using this part.
Supplied with certificate and operating

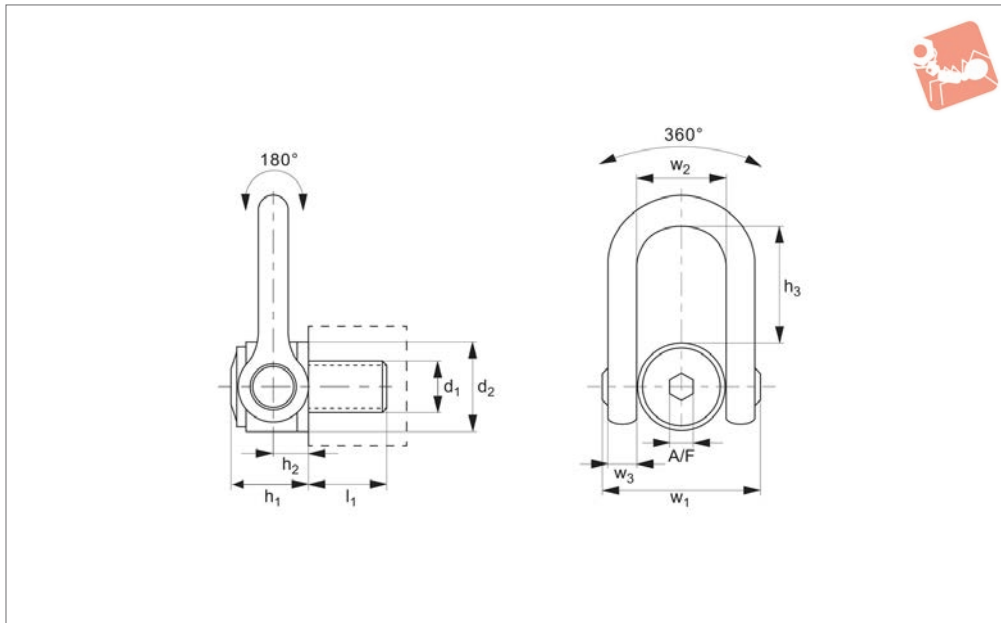
Order No.	Load tons (t) max.	d ₁ tol. 6g (tol. 2A)	l ₁	h ₁	h ₂	h ₃	h ₄	h ₅	w ₁	d ₂	w ₂	A/F ₁	A/F ₂	Safety factor	Torque to Nm (ft·lb)	Weight kg
63050.W0005	0,1	M 5x 0,80	15	33	9,5	30	38	14	53	30	27	8	16	4	3	0,3
63050.W0006	0,2	M 6x 1,00	15	33	9,5	30	38	14	53	30	27	8	16	4	4	0,3
63050.W0008	0,5	M 8x 1,25	15	33	9,5	30	38	14	53	30	27	8	16	4	6	0,3
63050.W0010	0,9	M10x1,50	18	33	9,5	30	38	14	53	30	27	8	16	4	10	0,3
63050.W0012	1,3	M12x1,75	21	33	9,5	30	38	14	53	30	27	8	16	4	15	0,3
63050.W0014	1,8	M14x2,00	23	45	13	40	53	17	76	45	38	8	20	4	30	0,9
63050.W0016	2,3	M16x2,00	27	45	13	40	53	17	76	45	38	8	20	4	50	0,9
63050.W0018	2,3	M18x2,50	27	45	13	40	53	17	76	45	38	8	20	4	70	0,9
63050.W0020	2,5	M20x2,50	30	45	13	40	53	17	76	45	38	8	20	4	100	0,9
63050.W0022	4,5	M22x2,50	33	62	19	55	83	25	115	60	55	14	24	4	120	2,6
63050.W0024	5,5	M24x3,00	36	62	19	55	83	25	115	60	55	14	24	4	160	2,6
63050.W0027	6,0	M27x3,00	40	62	19	55	83	25	115	60	55	14	24	4	200	2,7
63050.W0030	6,3	M30x3,50	45	62	19	55	83	25	115	60	55	14	24	4	250	2,7
63050.W0031	(1,200)	(UNC 5/16"-18)	15	33	9,5	30	38	14	53	30	27	8	16	4	(5)	0,3
63050.W0038	(1,600)	(UNC 3/8"-16)	17	33	9,5	30	38	14	53	30	27	8	16	4	(8)	0,3
63050.W0050	(2,800)	(UNC 1/2"-13)	21	33	9,5	30	38	14	53	30	27	8	16	4	(12)	0,3
63050.W0058	(4,900)	(UNC 5/8"-11)	27	45	13	40	53	17	76	45	38	8	20	4	(40)	0,9
63050.W0075	(5,250)	(UNC 3/4"-10)	30	45	13	40	53	17	76	45	38	8	20	4	(80)	0,9
63050.W0100	(12,500)	(UNC 1"-8)	36	62	19	55	83	25	115	60	55	14	24	4	(125)	2,6



63050 Male

Lifting configuration								
No. of rings	1	2	1	2	2	2	4	4
Lifting angle	0°	0°	90°	90°	45°	60°	45°	60°
Thread	Maximum load rating for given lifting configuration							
M4 tons	0,050	0,100	0,050	0,100	0,070	0,050	0,100	0,050
M5 tons	0,075	0,150	0,075	0,150	0,100	0,075	0,150	0,075
M6 tons	0,100	0,200	0,100	0,200	0,140	0,100	0,200	0,100
M8 tons	0,30	0,60	0,30	0,60	0,40	0,30	0,60	0,30
M10 tons	0,60	1,20	0,60	1,20	0,80	0,60	1,30	0,60
M12 tons	1,00	2,00	1,00	2,00	1,40	1,00	2,10	1,00
M14 tons	1,30	2,60	1,30	2,60	1,80	1,30	2,70	1,30
M16 tons	1,60	3,20	1,60	3,20	2,20	1,60	3,40	1,60
M18 tons	2,00	4,00	2,00	4,00	2,80	2,00	4,20	2,00
M20 tons	2,50	5,00	2,50	5,00	3,50	2,50	5,30	2,50
M22 tons	3,00	6,00	3,00	6,00	4,20	3,00	6,30	3,00
M24 tons	4,00	8,00	4,00	8,00	5,60	4,00	8,40	4,00
M27 tons	5,00	10,00	5,00	10,00	7,00	5,00	10,50	5,00
M30 tons	6,30	12,6	6,30	12,600	8,8	6,30	13,200	6,30
(UNC 5/16"-18) lbs	650	1,300	650	1,300	910	650	1,365	650
(UNC 3/8"-16) lbs	1,200	2,400	1,200	2,400	1,680	1,200	2,520	1,200
(UNC 1/2"-13) lbs	2,200	4,400	2,200	4,400	3,080	2,200	4,620	2,200
(UNC 5/8"-11) lbs	3,800	7,600	3,800	7,600	5,320	3,800	7,980	3,800
(UNC 3/4"-10) lbs	5,500	11,000	5,500	11,000	7,700	5,500	11,550	5,500
(UNC 7/8"-9) lbs	6,600	13,200	6,600	13,200	9,240	6,600	13,860	6,600

Important Note: Table shows the maximum load rating for a given lifting configuration (NOT maximum load rating per individual lifting ring).



63080.1

Material

High tensile steel, strength class >8.
Supplied with CE certificate.

Technical Notes

Double articulation.
Very low overhang for improved safety.
Large support surface.
For use in temperatures from -20°C to +200°C. Can be used in lower or higher temperatures, but this affects the load rating - please ask for more information.

Please refer to our technical information pages when specifying and/or using.

Tips

Double articulation allows perfect alignment with the sling if the part rotates during the lift.
With „automatic“ position recovery system for best orientation to sling direction.
Tighten by hex. key or spanner.

Important Notes

The thread diameter and depth must be

appropriate to the material into which it will be installed:

Steel (min. ST37) - 1 x thread dia.
Cast iron - 1.25 x thread dia.
Aluminium - 2 x thread dia.
Other light metals - 2.5 x thread dia.
Tolerance of female thread to be 6H (metric) or UNC-2B (inch).

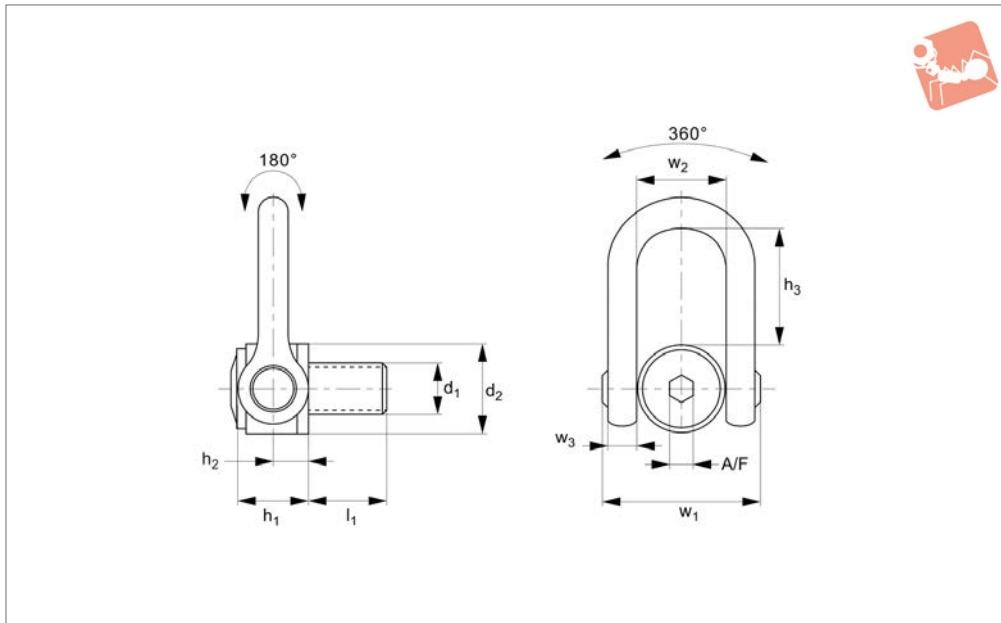
Please refer to the safety documentation before using this part.

Supplied with certificate and operating instructions.

Order No.	Load tons (t) max.	d ₁ tol. 6g (tol. 2A)	l ₁	h ₁	h ₂	h ₃	w ₁	d ₂	w ₂	w ₃	A/F	Safety factor	Torque to Nm (ft·lb)	Weight kg
63080.W0024	5.5	M24x3,0	36	61	31	98	149	70	73	33	19	4	160	5.4
63080.W0030	8.5	M30x3,5	45	61	31	98	149	70	73	33	19	4	250	5.5
63080.W0033	10.5	M33x3,5	50	61	31	98	149	70	73	33	19	4	250	5.5
63080.W0036	12.0	M36x4,0	54	61	31	98	149	70	73	33	19	4	320	5.5
63080.W0037	12.0	M36x3,0*	54	61	31	98	149	70	73	33	19	4	320	5.5
63080.W0039	14.0	M39x4,0	58	61	31	98	149	70	73	33	19	4	320	5.7
63080.W0042	15.0	M42x4,5	63	61	31	98	149	70	73	33	19	4	400	5.8
63080.W0043	15.0	M42x3,0*	63	61	31	98	149	70	73	33	19	4	400	5.8
63080.W0045	16.0	M45x4,5	63	61	31	98	149	70	73	33	19	4	400	5.9
63080.W0048	20.0	M48x5,0	68	79	38	123	182	90	91	45	19	4	600	11.0
63080.W0049	20.0	M48x3,0*	68	79	38	123	182	90	91	45	19	4	600	11.0
63080.W0050	20.0	M48x4,0*	68	79	38	123	182	90	91	45	19	4	600	11.0
63080.W0052	21.0	M52x5,0	68	79	38	123	182	90	91	45	19	4	600	11.2
63080.W0056	25.0	M56x5,5	78	79	38	123	182	90	91	45	19	4	600	11.3
63080.W0057	25.0	M56x4,0*	78	79	38	123	182	90	91	45	19	4	600	11.4
63080.W0064	32.1	M64x6,0	90	79	38	123	182	95	91	45	19	4	600	12.2
63080.W0065	32.1	M64x4,0*	90	79	38	123	182	95	91	45	19	4	600	12.2
63080.W0072	25.0	M72x6,0*	90	79	38	123	182	95	91	45	19	4	600	14.0
63080.W0073	25.0	M72x4,0*	90	79	38	123	182	95	91	45	19	4	600	14.0
63080.W0080	32.1	M80x6,0*	90	79	38	123	182	100	91	45	19	4	600	15.0
63080.W0090	32.1	M90x6,0*	90	79	38	123	182	100	91	45	19	4	600	15.5
63080.W0100	32.1	M100x6,0*	90	79	38	123	182	110	91	45	19	4	600	16.5
63080.W0325	(19.000)	(UNC 1 1/4"-7)	45	61	31	98	149	70	73	33	19	4	(200)	5.4



Order No.	Load tons (t) max.	d ₁ tol. 6g (tol. 2A)	l ₁	h ₁	h ₂	h ₃	w ₁	d ₂	w ₂	w ₃	A/F	Safety factor	Torque to Nm (ft-lb)	Weight kg
63080.W0350	(27.000)	(UNC 1 1/2"-6)	54	61	31	98	149	70	73	33	19	4	(240)	5.4
63080.W0400	(50.000)	(UNC 2"-4 1/2)	76	79	38	123	182	90	91	45	19	4	(450)	11.1



63080.2

LIFTING POINTS & SHACKLES

Material

High tensile steel, strength class >8.
Supplied with CE certificate.

Technical Notes

For use in temperatures from -20°C to +200°C. Can be used in lower or higher temperatures, but this affects the load rating - please ask for more information.
Please refer to our technical information pages when specifying and/or using.

Tips

Double articulation allows perfect alignment with the sling if the part rotates during the lift.
With „automatic“ position recovery system for best orientation to sling direction.
Tighten by hex. key or spanner.

Important Notes

The thread diameter and depth must be appropriate to the material into which it will be installed:

Steel (min. ST37) - 1 x thread dia.
Cast iron - 1.25 x thread dia.
Aluminium - 2 x thread dia.
Other light metals - 2.5 x thread dia.
Tolerance of female thread to be 6H (metric) or UNC-2B (inch).
Please refer to the safety documentation before using this part.
Supplied with certificate and operating instructions.



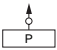
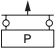

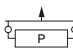
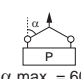
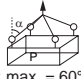
Swivel Lifting Rings

max. load rating - per lifting configuration



63080 Male

63084 Female

Lifting configuration									 α max. = 60°		 α max. = 60°	
	No. of rings	1	2	1	2	2	2	4	4			
Lifting angle	0°	0°	90°	90°	45°	60°	45°	60°				
Thread	Maximum load rating for given lifting configuration											
M24 tons	4,50	9,00	4,50	9,00	6,30	4,50	9,50	4,50				
M27 tons	5,00	10,00	5,00	10,00	7,00	5,00	10,50	5,00				
M30 tons	7,30	14,60	7,30	14,60	10,20	7,30	15,30	7,30				
M33 tons	8,00	16,00	8,00	16,00	11,20	8,00	16,80	8,00				
M36 tons	10,00	20,00	10,00	20,00	14,00	10,00	21,00	10,00				
M36* tons	10,00	20,00	10,00	20,00	14,00	10,00	21,00	10,00				
M39 tons	10,00	20,00	10,00	20,00	14,00	10,00	21,00	10,00				
M42 tons	12,50	25,00	12,50	25,00	17,50	12,50	26,30	12,50				
M42* tons	12,50	25,00	12,50	25,00	17,50	12,50	26,30	12,50				
M45 tons	15,00	30,00	15,00	30,00	21,00	15,00	31,50	15,00				
M48 tons	20,00	40,00	20,00	40,00	28,00	20,00	42,00	20,00				
M48* tons	20,00	40,00	20,00	40,00	28,00	20,00	42,00	20,00				
M50 tons	20,00	40,00	20,00	40,00	28,00	20,00	42,00	20,00				
M52 tons	20,00	40,00	20,00	40,00	28,00	20,00	42,00	20,00				
M56 tons	25,00	50,00	25,00	50,00	35,00	25,00	52,50	25,00				
M56* tons	25,00	50,00	25,00	50,00	35,00	25,00	52,50	25,00				
M64 tons	32,10	64,20	32,10	64,20	44,90	32,10	67,40	32,10				
M65 tons	32,10	64,20	32,10	64,20	44,90	32,10	67,40	32,10				
M72 tons	25,00	50,00	25,00	50,00	35,00	25,00	52,50	25,00				
M72* tons	25,00	50,00	25,00	50,00	35,00	25,00	52,50	25,00				
M80 tons	32,10	64,20	32,10	64,20	44,90	32,10	67,40	32,10				
M90 tons	32,10	64,20	32,10	64,20	44,90	32,10	67,40	32,10				
M100 tons	32,10	64,20	32,10	64,20	44,90	32,10	67,40	32,10				
(UNC 1"-8) lbs	10,000	20,000	10,000	20,000	14,000	10,000	21,000	10,000				
(UNC 1 1/4"-7) lbs	14,000	28,000	14,000	28,000	19,600	14,000	29,400	14,000				
(UNC 1 3/8"-6*) lbs	20,000	40,000	20,000	40,000	28,000	20,000	42,000	20,000				
(UNC 1 1/2"-6) lbs	20,000	40,000	20,000	40,000	28,000	20,000	42,000	20,000				
(UNC 2"-4 1/2) lbs	50,000	100,000	50,000	100,000	70,000	50,000	105,000	50,000				

*Fine Thread

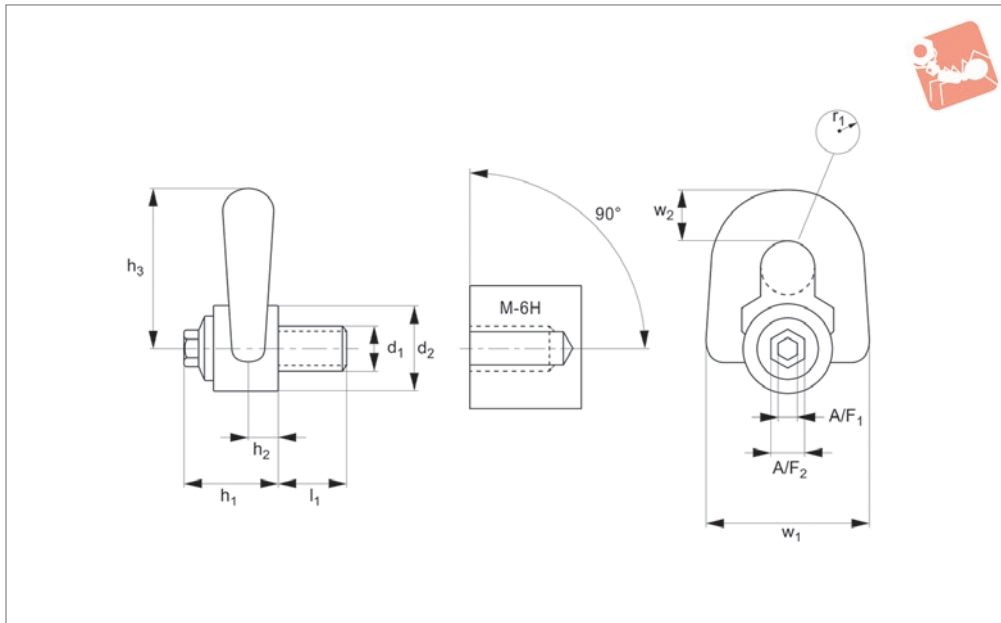
Important Note: Table shows the maximum load rating for a given lifting configuration (NOT maximum load rating per individual lifting ring).



Double Swivel Lifting Points

for wire rope

Lifting Points & Shackles



63120

LIFTING POINTS & SHACKLES

Material

High tensile steel, strength class >8.
Supplied with CE certificate.

Technical Notes

Double articulation.
Low overhang for improved safety.
For use in temperatures from -20°C to +200°C. Can be used in lower or higher temperatures, but this affects the load rating - please ask for more information.
Please refer to our technical information

pages when specifying and/or using.

Tips

Double articulation allows perfect alignment with the sling if the part rotates during the lift.
With „automatic“ position recovery system for best orientation to sling direction.
Tighten by hex. key or spanner.

Important Notes

The thread diameter and depth must be appropriate to the material into which it

will be installed:

Steel (min. ST37) - 1 x thread dia.
Cast iron - 1.25 x thread dia.
Aluminium - 2 x thread dia.
Other light metals - 2.5 x thread dia.
Tolerance of female thread to be 6H (metric) or UNC-2B (inch).

Please refer to the safety documentation before using this part.

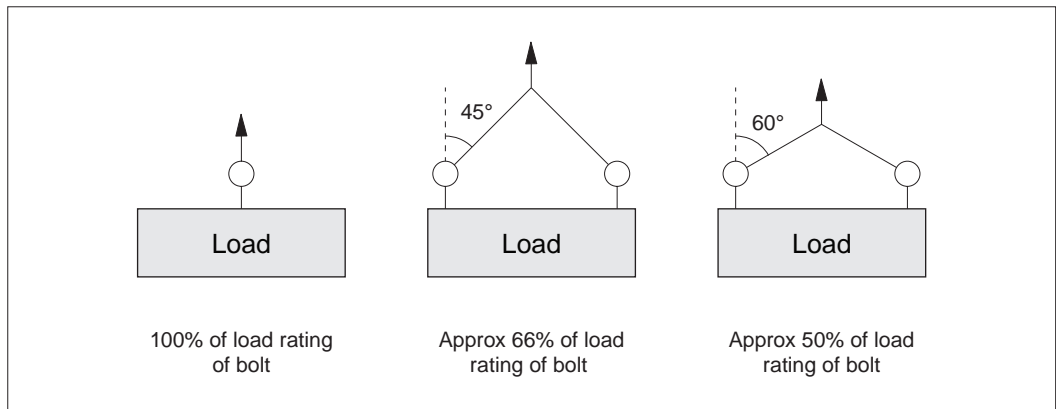
Supplied with certificate and operating instructions.

Order No.	Load tons (t) max.	d ₁ tol. 6g (tol. 2A)	l	h ₁	h ₂	h ₃	w ₁	d ₂	R	w ₂	A/F ₁	A/F ₂	Safety factor	Torque to Nm (ft-lb)	Weight kg
63120.W0008	0.40	M8x 1,25	15	33	9.5	56	58	30	9.5	19	8	16	5	6	0.3
63120.W0010	0.70	M10x1,50	18	33	9.5	56	58	30	9.5	19	8	16	5	10	0.3
63120.W0012	1.05	M12x1,75	21	33	9.5	56	58	30	9.5	19	8	16	5	15	0.3
63120.W0014	1.40	M14x2,00	23	45	13.0	81	79	45	12.5	27	8	20	5	30	0.9
63120.W0016	2.00	M16x2,00	27	45	13.0	81	79	45	12.5	27	8	20	5	50	0.9
63120.W0018	2.30	M18x2,50	27	45	13.0	81	79	45	12.5	27	8	20	5	70	1.0
63120.W0020	2.50	M20x2,50	30	45	13.0	81	79	45	12.5	27	8	20	5	100	1.0
63120.W0231	(1.000)	(UNC 5/16"-18)	15	33	9.5	56	58	30	9.5	19	8	16	5	(7)	0.3
63120.W0250	(2.400)	(UNC 1/2"-13)	21	33	9.5	56	58	30	9.5	19	8	16	5	(12)	0.3
63120.W0275	(5.250)	(UNC 3/4"-10)	30	45	13.0	81	79	45	12.5	27	8	16	5	(80)	1.0



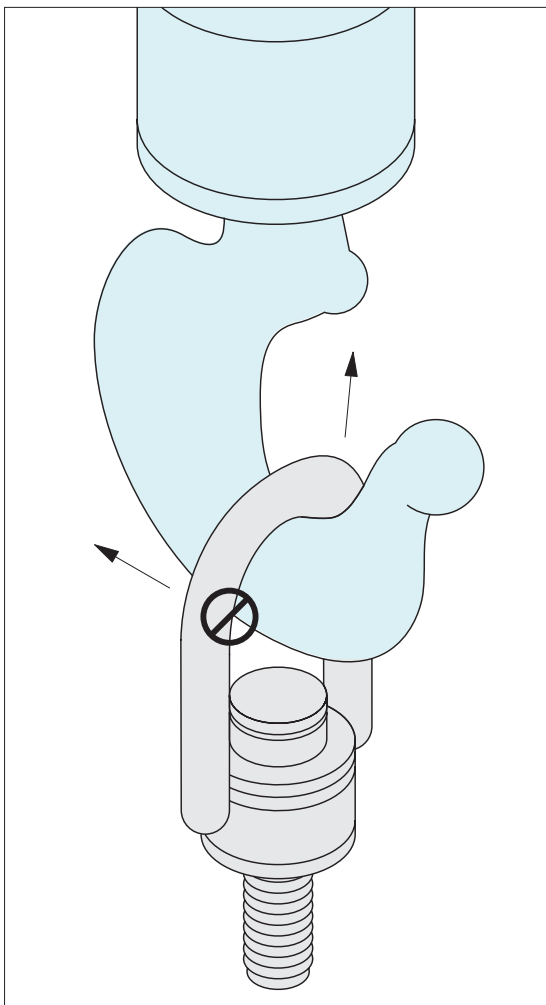
General product information

Lifting angles

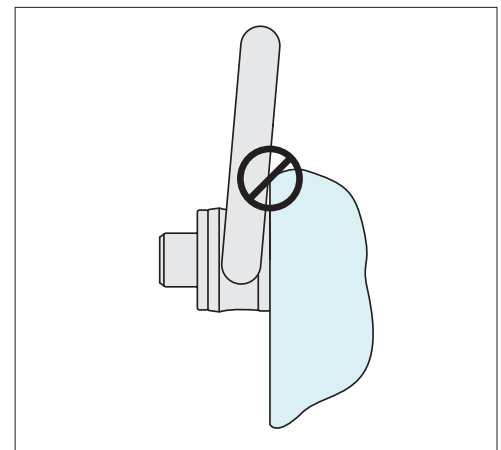


For full information on lifting arrangements see technical pages

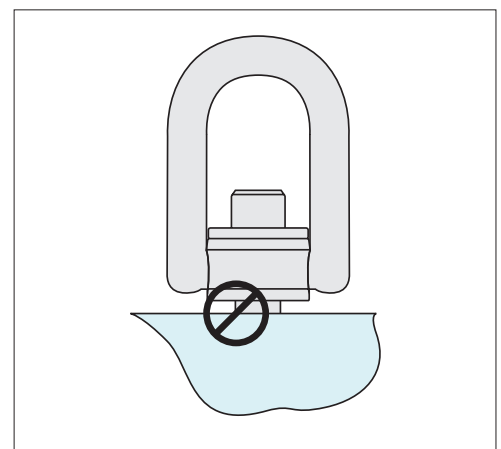
Installation information



Never use an oversized hook or other lifting device which will pry or tend to open the "U" shaped bar on centre pull hoist rings.



After installation, check the hoist ring to be sure it swivels and pivots freely in all directions. The side of the ring must not contact anything.



Always ensure full thread engagement when installing hoist rings.



Instructional Overview

- Ensure all lifting bolts are CE marked.
- Ensure they are handled by qualified personnel.
- Refer to the operating instructions particularly with regards to product selection, any possibility of the load swivelling, the effect of lifting angles on the load capacity (see relevant tables), etc.
- Never allow any personnel underneath a suspended load.
- Always heed the load rating of the lifting bolt.
- Always perform a visual inspection of the lifting rings prior to use. Checking for any damage to thread and/or swivelling system. Check for wear or corrosion, signs of stress or bending.
- Ensure a yearly full service inspection is performed.
- Always ensure the full bottom face of the lifting bolts is in contact with a smooth, square surface.
- Ensure bolt is tightened to the correct torque.
- Ensure full and unrestricted movement of the lifting ring in all directions.
- Before each lift ensure the correct orientation of the shackle in the lift direction.
- Avoid using our standard steel lifting rings in corrosive environments eg. sandy, chemical, acid, moisture etc. In this case consider using our stainless steel lifting rings.
- Note the thread length requirements:
 - 1 x thread diameter for steel (ST37 min.).
 - 1.25 x thread diameter for cast iron.
 - 2 x thread diameter for aluminium.
 - 2.5 x thread diameter for other light metals.
 - If fixing into low resistance material it is better to allow for a bigger diameter thread to compensate for the lower material resistance.

Operating instructions

Note: The full thread must be engaged. Longer thread lengths can be supplied on request or a bolt and washer/nut combination can be used.

- 40°C to -20°C Load rating reduces by 20%.
- +200°C to +300°C Load rating reduces by 10%.
- +300°C to +400°C Load rating reduces by 25%.

Temperature extremes



For harsh environments we recommend the use of our stainless steel lifting rings.

Rugged environments



63210 - Threads M30 – M45
Loads 3,5 tons – 6 tons.

63200 - Threads M8 – M30
Loads 0,3 tons – 3 tons.

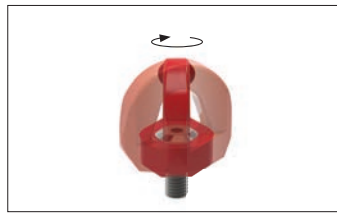
Certificate of Conformity



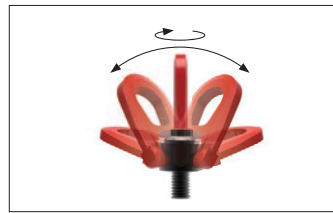
Swivel lifting rings

Our swivel lifting rings fully comply with the EC directive 2006/42/EC. They are CE marked and are supplied with a Certificate of Conformity. There is a 100% check on anti-cracking, a proof load test of 2.5 x load limit and a safety factor of 5 on most parts. Each ring is individually marked to ensure full product traceability.

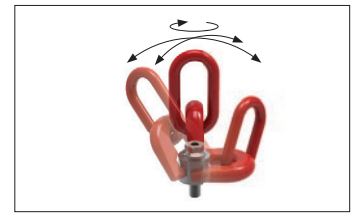
The Swivel Lifting Rings come in three main forms – depending on the number of axis required to swivel. The most popular type is the double swivel rings.



Single swivel - threads M8 – M48
loads 0,3 tons – 15 tons



Double swivel - threads M4 – M100
loads 0,05 tons – 50 tons

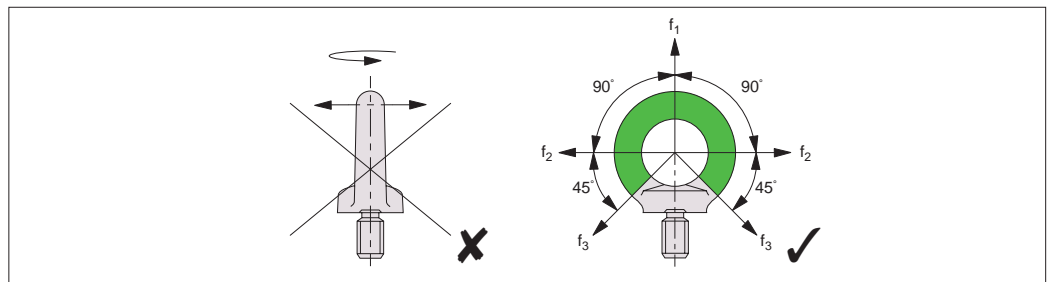


Triple swivel - threads M8 – M56
loads 0,3 tons – 22 tons

Pros	Cons
✓ Individual CE certification	
✓ CE marked	
✓ 100% physical check	
✓ Proof load test of 2.5 x load limit	
✓ Safety factor 5x stated load	
✓ 100% traceability with individual marking	
✓ Complies with 2006/42/CE	
✓ Axial load	
✓ Max. load bearing 90°	
✓ Max. lateral load 90°	
✓ Swivel loads	
✓ Forces across lifting ring plane (double and triple swivel type)	

High tensile lifting rings

The High-tensile lifting bolts are similar to the standard lifting bolts but are rated at higher loads and can lift loads at up to 90° from the thread. They are not meant for loads that might swivel.



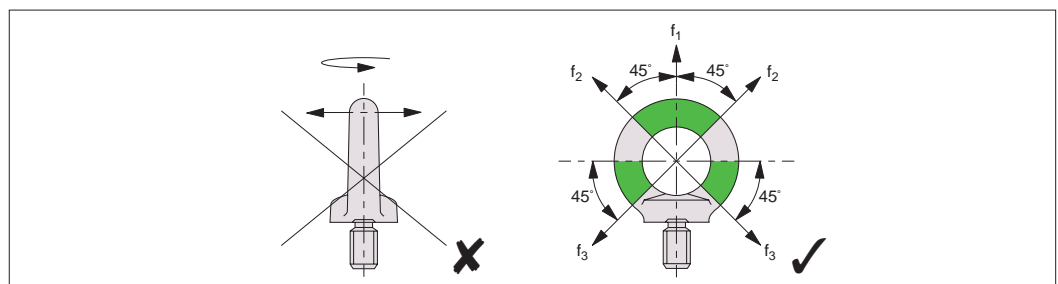
Important Note:
Forces must act in the direction of the lifting ring plane.

Pros	Cons
✓ CE marked	✗ Individual CE certification
✓ Axial load	✗ Shear tension
✓ Max. load bearing 90°	✗ Swivel loads
✓ Max. lateral load 90°	✗ Forces across lifting ring plane

Standard lifting rings DIN580 and DIN582

These are CE marked and are available with male or female threads in either steel or stainless steel (A4 AISI 316). They are meant only for axial loads, or load bearing or lateral loads at a maximum of 45° from the thread. They are not for use under shear tension or loads (across the thread), nor for loads likely to swivel.

Applied forces must act in the direction of the eye bolt plane, do not apply forces across the eye bolt plane.



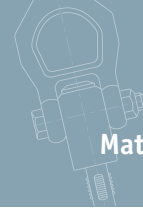
Pros	Cons
✓ CE marked	✗ Individual CE certification
✓ Axial load	✗ Shear tension
✓ Max. load bearing 45°	✗ Swivel loads
✓ Max. lateral load 45°	✗ Forces across lifting ring plane

Important Note: Forces must act in the direction of the lifting ring plane.



Single Swivel Lifting Rings

max. load rating - per lifting configuration



63020

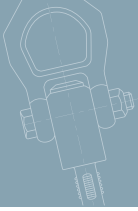
Materials Handling



63020 Male

Lifting configuration									
No. of rings	1	2	1	2	2	2	4	4	4
Lifting angle	0°	0°	90°	90°	45°	60°	45°	60°	60°
Thread	Maximum load rating for given lifting configuration								
M8 tons	0,30	0,60	0,30	0,60	0,40	0,30	0,60	0,30	0,60
M10 tons	0,60	1,20	0,60	1,20	0,80	0,60	1,30	0,60	1,20
M12 tons	1,00	2,00	1,00	2,00	1,40	1,00	2,10	1,00	1,40
M16 tons	1,60	3,20	1,60	3,20	2,20	1,60	3,40	1,60	2,40
M20 tons	2,50	5,00	2,50	5,00	3,50	2,50	5,30	2,50	3,50
M24 tons	4,00	8,00	4,00	8,00	5,60	4,00	8,40	4,00	5,60
M30 tons	6,30	12,60	6,30	12,60	8,80	6,30	13,20	6,30	8,80
M36 tons	10,00	20,00	10,00	20,00	14,00	10,00	21,00	10,00	14,00
M42 tons	12,50	25,00	12,50	25,00	17,50	12,50	26,30	12,50	17,50
M48 tons	15,00	30,00	15,00	30,00	21,00	15,00	31,50	15,00	21,00

Important Note: Table shows the maximum load rating for a given lifting configuration (NOT maximum load rating per individual lifting ring).



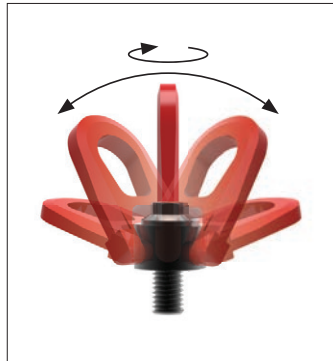
Swivel lifting rings

Our swivel lifting rings fully comply with the EC directive 2006/42/EC. They are CE marked and are supplied with a Certificate of Conformity. There is a 100% check on anti-cracking, a proof load test of 2.5 x load limit and a safety factor of 5 on most parts. Each ring is individually marked to ensure full product traceability.

The Swivel Lifting Rings come in three main forms – depending on the number of axis required to swivel. The most popular type is the double swivel rings.



Single swivel - threads M8 – M48
loads 0,3 tons – 15 tons



Double swivel - threads M4 – M100
loads 0,05 tons – 50 tons



Triple swivel - threads M8 – M56
loads 0,3 tons – 22 tons

Steel and stainless steel (316) versions



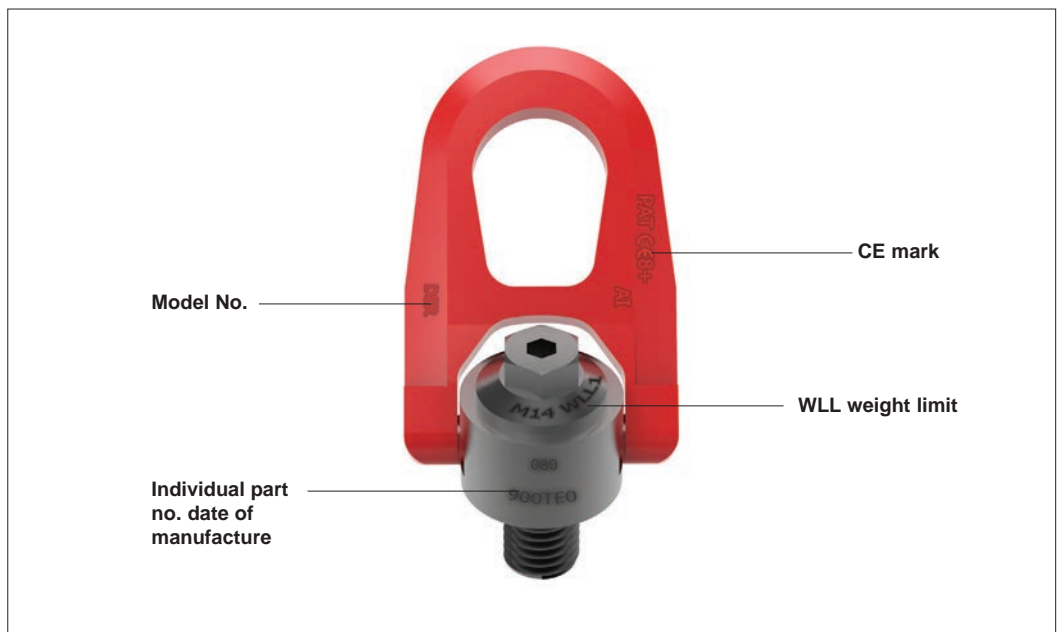
Steel



Stainless (316L)

Product marking

Compliant with 2006/42/EC, and with individual date of manufacture and batch number.



A swivel lifting rings that complies with 2006/42/CE

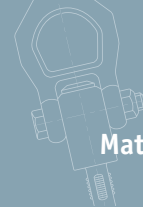


Swivel Lifting Rings

max. load rating - per lifting configuration

63120

Materials Handling



LIFTING POINTS & SHACKLES



63120 Male

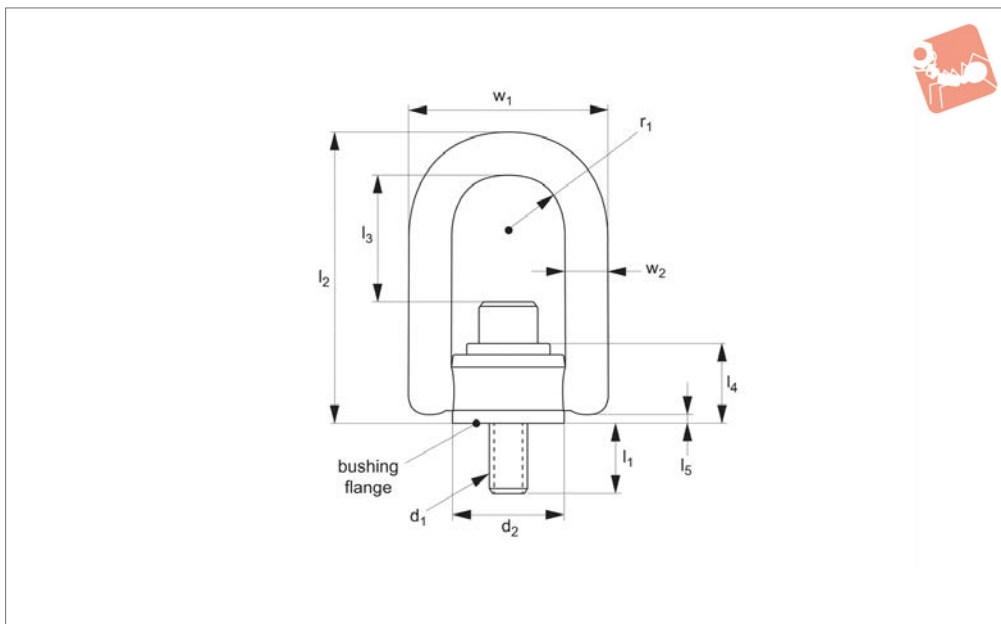
Lifting configuration								
No. of rings	1	2	1	2	2	2	4	4
Lifting angle	0°	0°	90°	90°	45°	60°	45°	60°
Thread	Maximum load rating for given lifting configuration							
M 8 tons	0,30	0,60	0,30	0,60	0,40	0,30	0,60	0,30
M10 tons	0,60	1,20	0,60	1,20	0,80	0,60	1,30	0,60
M12 tons	1,00	2,00	1,00	2,00	1,40	1,00	2,10	1,00
M14 tons	1,30	2,60	1,30	2,60	1,80	1,30	2,70	1,30
M16 tons	1,60	3,20	1,60	3,20	2,20	1,60	3,40	1,60
M18 tons	2,00	4,00	2,00	4,00	2,80	2,00	4,20	2,00
M20 tons	2,50	5,00	2,50	5,00	3,50	2,50	5,30	2,50
(UNC 5/16"-18) lbs	650	1,300	650	1,300	910	650	1,365	650
(UNC 3/8"-16) lbs	1,200	2,400	1,200	2,400	1,680	1,200	2,520	1,200
(UNC 1/2"-13) lbs	2,200	4,400	2,200	4,400	3,080	2,200	4,620	2,200
(UNC 5/8"-11) lbs	3,800	7,600	3,800	7,600	5,320	3,800	7,980	3,800
(UNC 3/4"-10) lbs	5,500	11,000	5,500	11,000	7,700	5,500	11,550	5,500

Important note: Table shows the maximum load rating for a given lifting configuration (NOT maximum load rating per individual lifting ring).

ov-W63120-AP4012-T-swivel-lifting-rings-a-rnh- Updated -28-10-2022



63501



Material

Forged alloy steel (4140), min. tensile strength 180,000psi. Black oxide coated.

Technical Notes

Meets manufacturing and design require-

ments of ASME -B30.26 and MIL-STD 209. Magnetic particle inspected per ASTM 1444.

Tips

Min. design safety factor 5:1. 360° swivel

and 180° pivot underload. Each part individually serial numbered.

Important Notes

tl = recommended torque load (Nm). Always follow safety instructions.

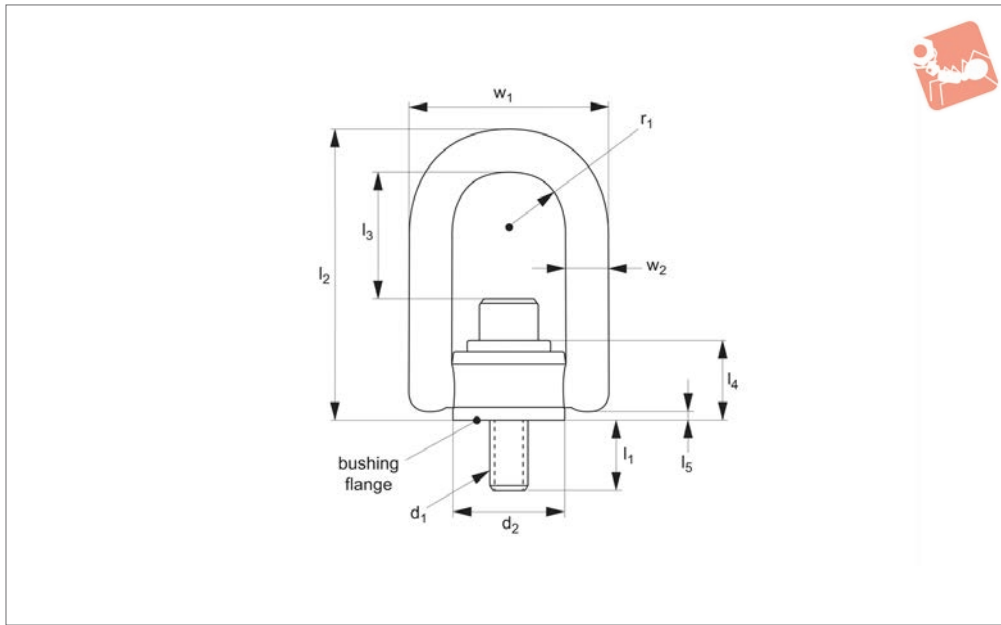
Order No.	Rated load tonnes (t)	d ₁	d ₂	l ₁	l ₂	l ₃	l ₄	l ₅	r ₁	w ₁	w ₂	tl Nm	Weight kg
63501.W0081	0.40	M 8x1,25	31.8	16	82.0	38.5	24.4	4.0	16.5	58.2	11.1	9.5	0.24
63501.W0082	0.40	M 8x1,25	31.8	21	82.0	38.5	24.4	4.0	16.5	58.2	11.1	9.5	0.25
63501.W0101	0.45	M10x1,50	31.8	16	82.0	36.5	24.4	4.0	16.5	58.2	11.1	16.0	0.25
63501.W0102	0.45	M10x1,50	31.8	26	82.0	36.5	24.4	4.0	16.5	58.2	11.1	16.0	0.26
63501.W0121	1.05	M12x1,75	48.0	25	134.9	65.0	38.1	4.4	25.4	88.9	19.1	37.0	0.78
63501.W0122	1.05	M12x1,75	48.0	32	134.9	65.0	38.1	4.4	25.4	88.9	19.1	37.0	0.83
63501.W0141	1.50	M14x2,00	48.0	25	135.2	65.0	38.1	4.4	25.4	88.9	19.1	45.0	0.79
63501.W0142	1.50	M14x2,00	48.0	32	135.2	65.0	38.1	4.4	25.4	88.9	19.1	45.0	0.84
63501.W0161	1.90	M16x2,00	48.0	25	134.9	62.0	38.1	4.4	25.4	88.9	19.1	80.0	0.81
63501.W0162	1.90	M16x2,00	48.0	32	134.9	62.0	38.1	4.4	25.4	88.9	19.1	80.0	0.85
63501.W0201	2.20	M20x2,50	48.0	25	134.9	58.7	38.1	4.4	25.4	88.9	19.1	135.0	0.86
63501.W0202	2.20	M20x2,50	48.0	38	134.9	58.7	38.1	4.4	25.4	88.9	19.1	135.0	0.92
63501.W0203	3.00	M20x2,50	71.4	28	187.2	89.7	52.1	4.6	35.6	129.5	25.4	135.0	3.14
63501.W0241	4.20	M24x3,00	71.4	28	187.2	85.7	52.1	4.6	35.6	129.5	25.4	311.0	3.29
63501.W0242	4.20	M24x3,00	71.4	38	187.2	85.7	52.1	4.6	35.6	129.5	25.4	311.0	3.30
63501.W0301	4.50	M30x3,50	71.4	38	187.2	79.7	52.1	4.6	35.6	129.5	25.4	311.0	3.44
63501.W0302	4.50	M30x3,50	71.4	48	187.2	79.7	52.1	4.6	35.6	129.5	25.4	311.0	3.55
63501.W0303	7.00	M30x3,50	98.5	67	234.2	92.5	72.9	8.2	50.8	171.5	31.8	637.2	7.26
63501.W0361	11.00	M36x4,00	98.5	67	234.2	98.5	72.9	8.2	50.8	171.5	31.8	88.6	8.21
63501.W0421	12.50	M42x4,50	98.5	80	234.2	98.5	72.9	8.2	50.8	171.5	31.8	88.6	10.14
63501.W0481	13.50	M48x5,00	98.5	80	234.2	98.5	72.9	8.2	50.8	171.5	31.8	88.6	10.59
63501.W0561	13.50	M56x5,50	98.5	88	234.2	98.5	72.9	8.2	50.8	171.5	31.8	88.6	11.03



Lifting Points - Double Swivel - Male

long bar - metric - coarse

Lifting Points & Shackles



63502

LIFTING POINTS & SHACKLES

Material

Forged alloy steel (4140), min. tensile strength 180,000psi. Black oxide coated.

Technical Notes

Meets manufacturing and design require-

ments of ASME -B30.26 and MIL-STD 209. Magnetic particle inspected per ASTM 1444.

Tips

Min. design safety factor 5:1. 360° swivel

and 180° pivot underload. Each part individually serial numbered.

tl = recommended torque load (Nm).

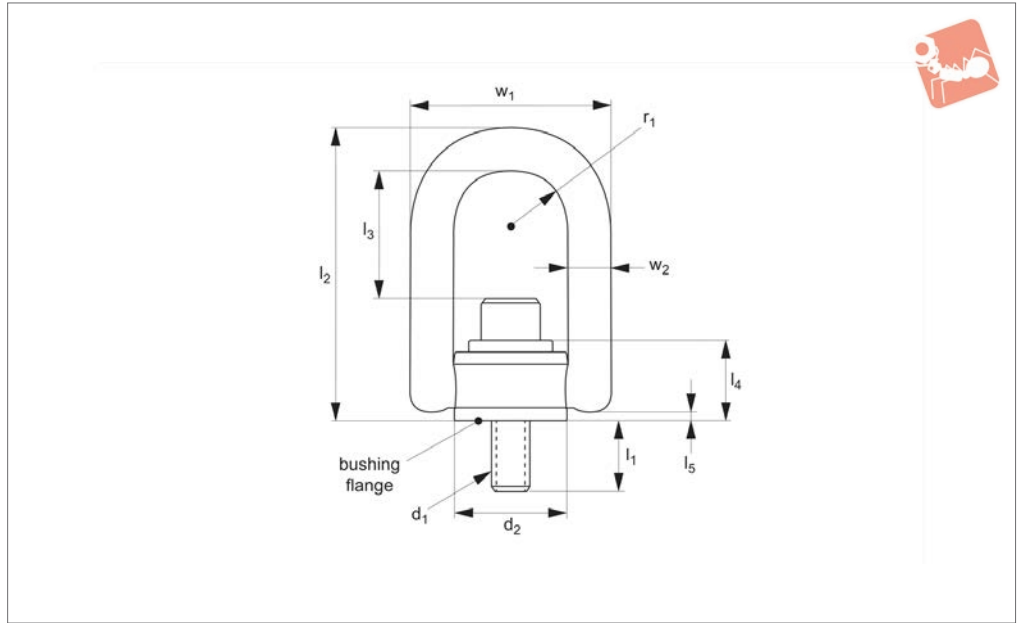
Important Notes

Always follow safety instructions.

Order No.	Rated load tonnes (t)	d ₁	d ₂	l ₁	l ₂	l ₃	l ₄	l ₅	r ₁	w ₁	w ₂	tl Nm	Weight kg
63502.W0121	1.05	M12x1,75	48.0	25	174.6	104.7	38.1	4.4	25.4	88.9	19.1	37	0.93
63502.W0122	1.05	M12x,175	48.0	32	174.6	104.7	38.1	4.4	25.4	88.9	19.1	37	0.98
63502.W0141	1.50	M14x2,00	48.0	25	174.9	105.0	38.1	4.4	25.4	88.9	19.1	45	0.95
63502.W0142	1.50	M14x2,00	48.0	32	174.9	105.0	38.1	4.4	25.4	88.9	19.1	45	0.98
63502.W0161	1.90	M16x2,00	48.0	25	174.6	101.7	38.1	4.4	25.4	88.9	19.1	80	0.96
63502.W0162	1.90	M16x2,00	48.0	32	174.6	101.7	38.1	4.4	25.4	88.9	19.1	80	1.00
63502.W0201	2.20	M20x2,50	48.0	25	174.6	98.4	38.1	4.4	25.4	88.9	19.1	135	1.01
63502.W0202	2.20	M20x2,50	48.0	38	174.6	98.4	38.1	4.4	25.4	88.9	19.1	135	1.07
63502.W0203	3.00	M20x2,50	71.4	28	187.2	131.1	52.1	4.6	35.6	129.5	25.4	135	3.47
63502.W0241	4.20	M24x3,00	71.4	28	187.2	127.1	52.1	4.6	35.6	129.5	25.4	311	3.62
63502.W0242	4.20	M24x3,00	71.4	38	187.2	127.1	52.1	4.6	35.6	129.5	25.4	311	3.63
63502.W0301	4.50	M30x3,50	71.4	38	187.2	79.7	52.1	4.6	35.6	129.5	25.4	311	3.55



63511



Material

Forged alloy steel (4140), min. tensile strength 180,000psi. Black oxide coated.

Technical Notes

Meets manufacturing and design requirements of ASME -B30.26 and MIL-STD 209.

Magnetic particle inspected per ASTM 1444.

Tips

Min. design safety factor 5:1. 360° swivel and 180° pivot underload. Each part individually serial numbered.

tl = recommended torque load (ft - lbs).

Important Notes

All dimensions in imperial.

Always follow safety instructions.

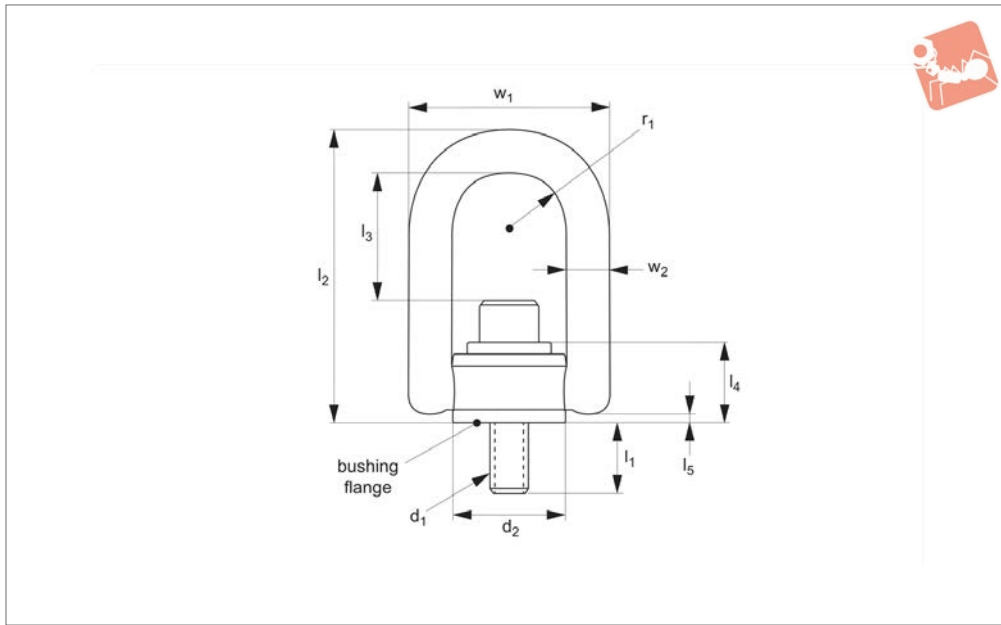
Order No.	Rated load lb	d ₁ UNC	d ₂	l ₁	l ₂	l ₃	l ₄	l ₅	r ₁	w ₁	w ₂	tl ft-lb	Weight lb
63511.W0251I	550	1/4-20	1.25	0.56	3.23	1.57	0.96	0.15	0.65	2.29	0.44	5	0.50
63511.W0311I	800	5/16-18	1.25	0.56	3.23	1.51	0.96	0.15	0.65	2.29	0.44	7	0.52
63511.W0312I	800	5/16-18	1.25	1.06	3.23	1.51	0.96	0.15	0.65	2.29	0.44	7	0.54
63511.W0371I	1000	3/8-16	1.25	0.56	3.23	1.45	0.96	0.15	0.65	2.29	0.44	12	0.56
63511.W0342I	1000	3/8-16	1.25	1.06	3.23	1.45	0.96	0.15	0.65	2.29	0.44	12	0.58
63511.W0501I	2250	1/2-13	1.25	1.06	3.23	1.45	0.96	0.15	0.65	2.29	0.44	25	0.60
63511.W0502I	2500	1/2-13	1.89	0.75	5.31	2.56	1.50	0.17	1.00	3.50	0.75	28	1.71
63511.W0503I	2500	1/2-13	1.89	1.00	5.31	2.56	1.50	0.17	1.00	3.50	0.75	28	1.72
63511.W0504I	2500	1/2-13	1.89	1.25	5.31	2.56	1.50	0.17	1.00	3.50	0.75	28	1.82
63511.W0631I	4000	5/8-11	1.89	0.75	5.31	2.44	1.50	0.17	1.00	3.50	0.75	60	1.76
63511.W0632I	4000	5/8-11	1.89	1.00	5.31	2.44	1.50	0.17	1.00	3.50	0.75	60	1.78
63511.W0633I	4000	5/8-11	1.89	1.25	5.31	2.44	1.50	1.89	1.00	3.50	0.75	60	1.88
63511.W0751I	5000	3/4-10	1.89	1.00	5.31	2.31	1.50	0.17	1.00	3.50	0.75	100	1.89
63511.W0752I	5000	3/4-10	1.89	1.50	5.31	2.31	1.50	0.17	1.00	3.50	0.75	100	2.02
63511.W0754I	7000	3/4-10	2.81	1.20	7.37	3.57	2.05	0.18	1.40	5.10	1.00	100	7.23
63511.W0755I	7000	3/4-10	2.81	1.45	7.37	3.57	2.05	0.18	1.40	5.10	1.00	100	7.25
63511.W0881I	8000	7/8-9	2.81	0.95	7.37	3.32	2.05	0.18	1.40	5.10	1.00	160	7.33
63511.W0882I	8000	7/8-9	2.81	1.20	7.37	3.32	2.05	0.18	1.40	5.10	1.00	160	7.33
63511.W1001I	10000	1-8	2.81	1.45	7.37	3.20	2.05	0.18	1.40	5.10	1.00	230	7.57
63511.W1002I	10000	1-8	2.81	1.20	7.37	3.20	2.05	0.18	1.40	5.10	1.00	230	7.63
63511.W1003I	10000	1-8	2.81	2.20	7.37	3.20	2.05	0.18	1.40	5.10	1.00	230	7.81
63511.W1251I	15000	1-1/4-7	3.88	1.88	9.22	3.74	2.87	0.18	2.00	6.75	1.25	470	15.74
63511.W1252I	15000	1-1/4-7	3.88	2.63	9.22	3.74	2.87	0.18	2.00	6.75	1.25	470	16.00
63511.W1501I	24000	1-1/2-6	3.88	2.63	9.22	3.49	2.87	0.32	2.00	6.75	1.25	800	18.10
63511.W2001I	30000	2-4-1/2	3.88	2.96	9.22	3.49	2.87	0.32	2.00	6.75	1.25	1100	22.90
63511.W2002I	30000	2-8	3.88	2.96	9.22	3.49	2.87	0.32	2.00	6.75	1.25	1100	22.90



Lifting Points - Double Swivel - Male

long bar - UNC thread

Lifting Points & Shackles



63512

LIFTING POINTS & SHACKLES

Material

Forged alloy steel (4140), min. tensile strength 180,000psi. Black oxide coated.

Technical Notes

Meets manufacturing and design requirements of ASME -B30.26 and MIL-STD 209.

Magnetic particle inspected per ASTM 1444.

Tips

Min. design safety factor 5:1. 360° swivel and 180° pivot underload. Each part individually serial numbered.

tl = recommended torque load (ft - lbs.)

Important Notes

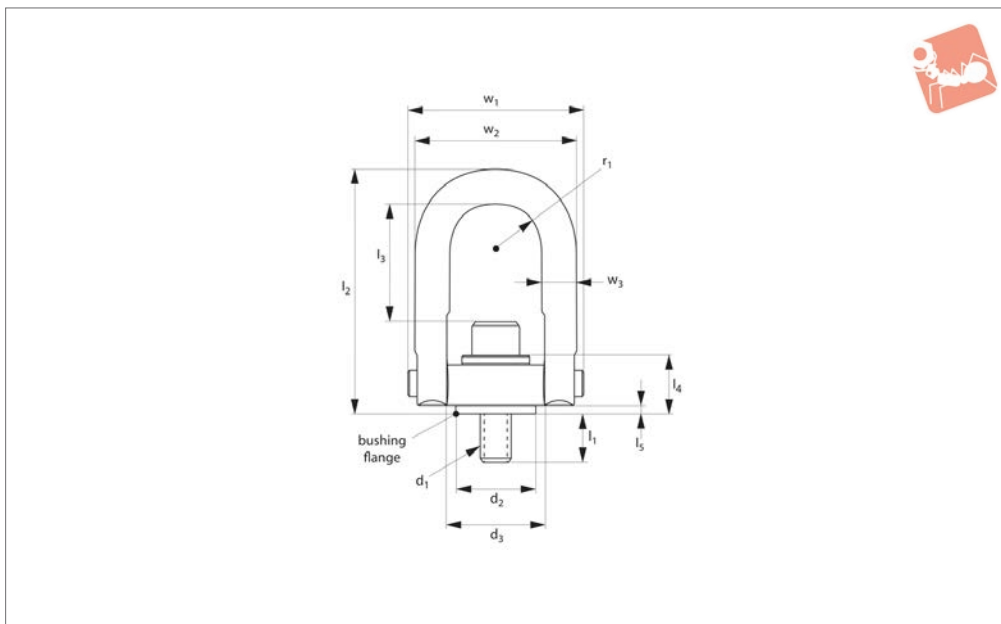
All dimensions in imperial.

Always follow safety instructions.

Order No.	Rated load lb	d ₁ UNC	d ₂	l ₁	l ₂	l ₃	l ₄	l ₅	r ₁	w ₁	w ₂	tl ft-lb	Weight lb
63512.W0501I	2500	1/2-13	1.89	0.75	6.87	4.12	1.50	0.17	1.0	3.5	0.75	28	2.04
63512.W0502I	2500	1/2-13	1.89	1.00	6.87	4.12	1.50	0.17	1.0	3.5	0.75	28	2.05
63512.W0503I	2500	1/2-13	1.89	1.25	6.87	4.12	1.50	0.17	1.0	3.5	0.75	28	2.15
63512.W0631I	4000	5/8-11	1.89	0.75	6.87	4.00	1.50	0.17	1.0	3.5	0.75	60	2.09
63512.W0632I	4000	5/8-11	1.89	1.00	6.87	4.00	1.50	0.17	1.0	3.5	0.75	60	2.11
63512.W0633I	4000	5/8-11	1.89	1.25	6.87	4.00	1.50	0.17	1.0	3.5	0.75	60	2.21
63512.W0751I	5000	3/4-10	1.89	1.00	6.87	3.87	1.50	0.17	1.0	3.5	0.75	100	2.22
63512.W0752I	5000	3/4-10	1.89	1.50	6.87	3.87	1.50	0.17	1.0	3.5	0.75	100	2.35
63512.W0753I	7000	3/4-10	2.81	0.95	9.00	5.20	2.05	0.18	1.4	5.1	1.00	100	7.93
63512.W0754I	7000	3/4-10	2.81	1.20	9.00	5.20	2.05	0.18	1.4	5.1	1.00	100	7.96
63512.W0755I	7000	3/4-10	2.81	1.45	9.00	5.20	2.05	0.18	1.4	5.1	1.00	100	7.98
63512.W0881I	8000	7/8-9	2.81	0.95	9.00	4.95	2.05	0.18	1.4	5.1	1.00	160	8.06
63512.W0882I	8000	7/8-9	2.81	1.20	9.00	4.82	2.05	0.18	1.4	5.1	1.00	160	8.06
63512.W1001I	10000	1-8	2.81	1.45	9.00	4.82	2.05	0.18	1.4	5.1	1.00	230	8.30
63512.W1002I	10000	1-8	2.81	1.20	9.00	4.82	2.05	0.18	1.4	5.1	1.00	230	8.36
63512.W1003I	10000	1-8	2.81	2.20	9.00	4.82	2.05	0.18	1.4	5.1	1.00	230	8.54



63521



Material

Forged alloy steel (4140), min. tensile strength 180,000psi. Black oxide coated.

Technical Notes

Meets manufacturing and design require-

ments of ASME -B30.26 and MIL-STD 209. Magnetic particle inspected per ASTM 1444.

Tips

Min. design safety factor 5:1. 360° swivel

and 180° pivot underload. Each part individually serial numbered.
tl = recommended torque load (Nm).

Important Notes

Always follow safety instructions.

Order No.	Rated load tonnes (t)	d ₁	d ₂	d ₃	l ₁	l ₂	l ₃	l ₄	Weight kg
63521.W0081	0.40	M 8x1,25	19.10	25.40	17	67.80	32.10	18.0	0.14
63521.W0101	0.45	M10x1,50	19.10	25.40	17	67.80	30.20	18.0	0.14
63521.W0121	1.05	M12x1,75	38.00	50.50	19	121.40	59.40	31.0	1.05
63521.W0161	1.90	M16x2,00	38.00	50.50	24	121.40	55.40	31.0	1.11
63521.W0201	2.20	M20x2,50	38.00	50.50	30	121.40	51.40	31.0	1.16
63521.W0202	3.00	M20x2,50	58.70	76.20	29	165.80	77.00	43.4	3.06
63521.W0241	4.20	M24x3,00	58.70	76.20	34	165.80	73.00	43.4	3.18
63521.W0301	4.50	M30x3,50	58.70	76.20	54	165.80	67.00	43.4	3.30
63521.W0302	7.00	M30x3,50	81.30	95.50	46	221.70	106.30	53.6	6.36
63521.W0303	7.00	M30x3,50	81.30	95.50	66	221.70	106.30	53.6	6.70
63521.W0361	11.00	M36x4,00	106.70	123.70	69	316.70	164.80	71.4	15.34
63521.W0421	12.50	M42x4,50	106.70	123.70	79	316.70	158.80	71.4	15.91
63521.W0481	13.50	M48x5,00	106.70	123.70	79	316.70	152.80	71.4	16.36
63521.W0641	22.00	M64x6,00	146.10	165.60	102	428.50	230.30	104.0	39.77
63521.W0721	31.50	M72x6,00	184.15	205.74	132	495.30	215.39	133.9	75.45
63521.W0901	51.00	M90x6,00	196.85	218.44	178	561.09	235.71	153.9	109.09

Order No.	l ₅	r ₁	w ₁	w ₂	w ₃	tl Nm
63521.W0081	4.30	10.90	46.70	40.9	9.50	9.5
63521.W0101	4.30	10.90	46.70	40.9	9.50	16.0
63521.W0121	4.10	22.40	89.40	82.5	19.00	37.0
63521.W0161	4.10	22.40	89.40	82.5	19.00	80.0
63521.W0201	4.10	22.40	89.40	82.5	19.00	135.0
63521.W0202	6.10	35.60	130.50	121.2	25.40	135.0
63521.W0241	6.10	35.60	130.50	121.2	25.40	311.0
63521.W0301	6.10	35.60	130.50	121.2	25.40	311.0
63521.W0302	8.90	44.50	165.10	152.4	31.80	637.2
63521.W0303	8.90	44.50	165.10	152.4	31.80	637.2
63521.W0361	11.90	57.20	217.20	203.2	44.50	1085.5
63521.W0421	11.90	57.20	217.20	203.2	44.50	1085.5
63521.W0481	11.90	57.20	217.20	203.2	44.50	1085.5



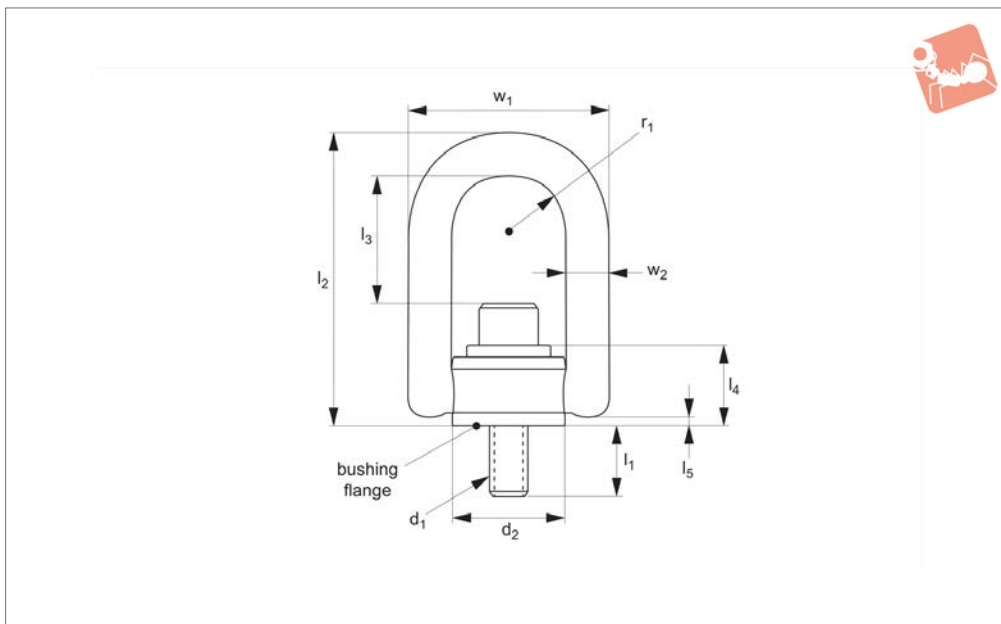
Lifting Points - Double Swivel - Male standard bar - metric - coarse

Lifting Points & Shackles

Order No.	l_5	r_1	w_1	w_2	w_3	tl Nm
63521.W0641	28.40	76.20	296.40	266.7	57.20	2847.5
63521.W0721	25.40	95.25	368.30	330.2	69.85	5670.0
63521.W0901	27.69	101.60	403.86	368.3	82.55	9560.0



63522



Material

Forged alloy steel (4140), min. tensile strength 180,000psi. Black oxide coated.

Technical Notes

Meets manufacturing and design require-

ments of ASME -B30.26 and MIL-STD 209. Magnetic particle inspected per ASTM 1444.

Tips

Min. design safety factor 5:1. 360° swivel

and 180° pivot underload. Each part individually serial numbered.

tl = recommended torque load (Nm.)

Important Notes

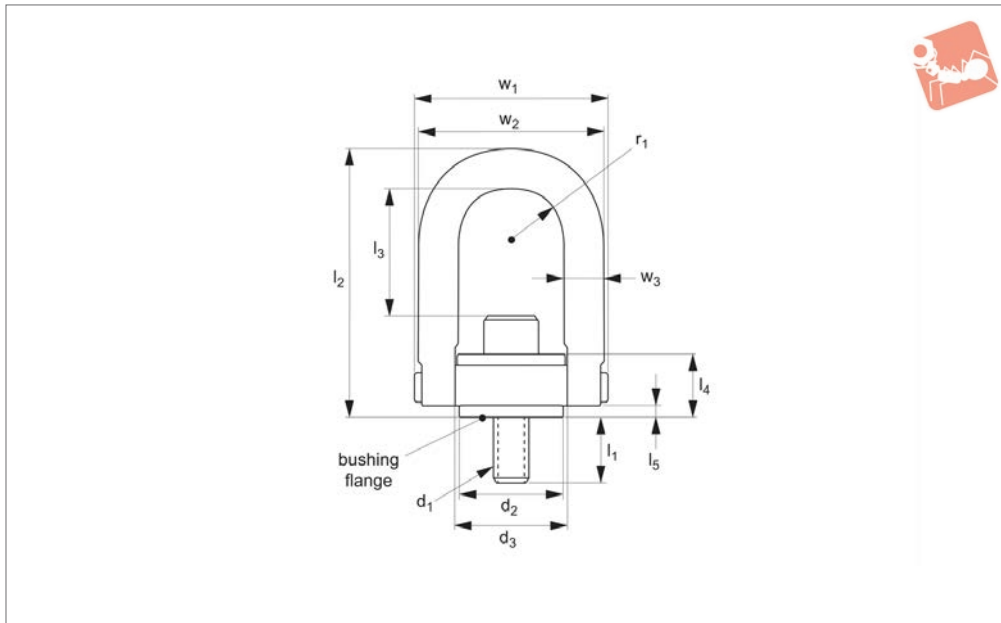
Always follow safety instructions.

Order No.	Rated load tonnes (t)	d ₁	d ₂	d ₃	l ₁	l ₂	l ₃	l ₄	l ₅	r ₁	w ₁	w ₂	w ₃	tl Nm	Weight kg
63522.W0121	1.05	M12x1,75	38.0	50.5	19	121.4	108.6	31.0	4.1	22.4	89.4	82.5	19.0	37	1.27
63522.W0161	1.90	M16x2,00	38.0	50.5	24	121.4	104.8	31.0	4.1	22.4	89.4	82.5	19.0	80	1.33
63522.W0201	2.20	M20x2,50	38.0	50.5	30	121.4	100.6	31.0	4.1	22.4	89.4	82.5	19.0	135	1.38
63522.W0202	3.00	M20x2,50	58.7	76.2	29	165.8	177.9	43.4	6.1	35.6	160.5	121.2	25.4	135	3.77
63522.W0241	4.20	M24x3,00	58.7	76.2	34	165.8	113.9	43.4	6.1	35.6	160.5	121.2	25.4	311	3.89
63522.W0301	4.50	M30x3,50	58.7	76.2	54	165.8	109.9	43.4	6.1	35.6	160.5	121.2	25.4	311	4.01



Lifting Points - Double Swivel - Male standard bar - UNC thread

Lifting Points & Shackles



63531

LIFTING POINTS & SHACKLES

Material

Forged alloy steel (4140), min. tensile strength 180,000psi. Black oxide coated.

Technical Notes

Meets manufacturing and design requirements of ASME -B30.26 and MIL-STD 209.

Magnetic particle inspected per ASTM 1444.

Tips

Min. design safety factor 5:1. 360° swivel and 180° pivot underload. Each part individually serial numbered.

tl = recommended torque load (ft - lbs)

Important Notes

All dimensions in imperial.

Always follow safety instructions.

Order No.	Rated load lb	d ₁	d ₂	d ₃	l ₁	l ₂	Weight lb
63531.W0251I	550	1/4-20	0.75	1.00	0.54	2.67	0.31
63531.W0311I	800	5/16-18	0.75	1.00	0.29	2.67	0.31
63531.W0312I	800	5/16-18	0.75	1.00	0.54	2.67	0.31
63531.W0371I	1000	3/8-16	0.75	1.00	0.54	2.67	0.31
63531.W0501I	2500	1/2-13	1.25	1.49	1.07	3.77	0.31
63531.W0502I	2500	1/2-13	1.50	1.99	0.78	4.78	2.31
63531.W0503I	2500	1/2-13	1.50	1.99	1.03	4.78	2.31
63531.W0504I	2500	1/2-13	1.50	1.99	1.28	4.78	2.31
63531.W0631I	4000	5/8-11	1.50	1.99	0.78	4.78	2.43
63531.W0632I	4000	5/8-11	1.50	1.99	1.03	6.72	2.43
63531.W0634I	4000	5/8-11	1.50	1.99	1.28	6.72	2.43
63531.W0751I	5000	3/4-10	1.50	1.99	1.03	6.72	2.56
63531.W0752I	5000	3/4-10	1.50	1.99	1.53	6.72	2.56
63531.W0753I	7000	3/4-10	2.37	3.00	1.04	6.52	6.62
63531.W0754I	7000	3/4-10	2.37	3.00	1.54	6.52	6.62
63531.W0881I	8000	7/8-9	2.37	3.00	1.04	6.52	6.75
63531.W1001I	10000	1-8	2.37	3.00	1.29	6.52	7.00
63531.W1002I	10000	1-8	2.37	3.00	1.54	6.52	7.00
63531.W1003I	10000	1-8	2.37	3.00	2.29	6.52	7.00
63531.W1251I	15000	1-1/4-7	3.20	3.76	1.89	8.73	7.00
63531.W1501I	24000	1-1/2-6	4.20	4.87	2.70	12.47	33.75
63531.W2001I	30000	2-4-1/4	4.20	4.87	2.96	12.47	36.00
63531.W2002I	30000	2-4-1/2	4.20	4.87	2.96	12.47	36.00
63531.W2501I	50000	2-1/2-8	5.75	6.52	4.00	16.87	87.50
63531.W2502I	50000	2-1/2-4	5.75	6.52	4.00	16.87	87.50
63531.W3001I	75000	3-4	7.25	8.10	5.20	19.50	166.00
63531.W3501I	100000	3-1/2-4	7.75	8.60	7.00	22.09	240.00
63531.W4251I	150000	4-1/4-4	9.87	10.75	8.50	27.38	525.00
63531.W5001I	200000	5-4	12.38	13.00	9.00	33.00	760.00
63531.W6001I	250000	6-4	12.38	13.00	9.00	33.00	841.00



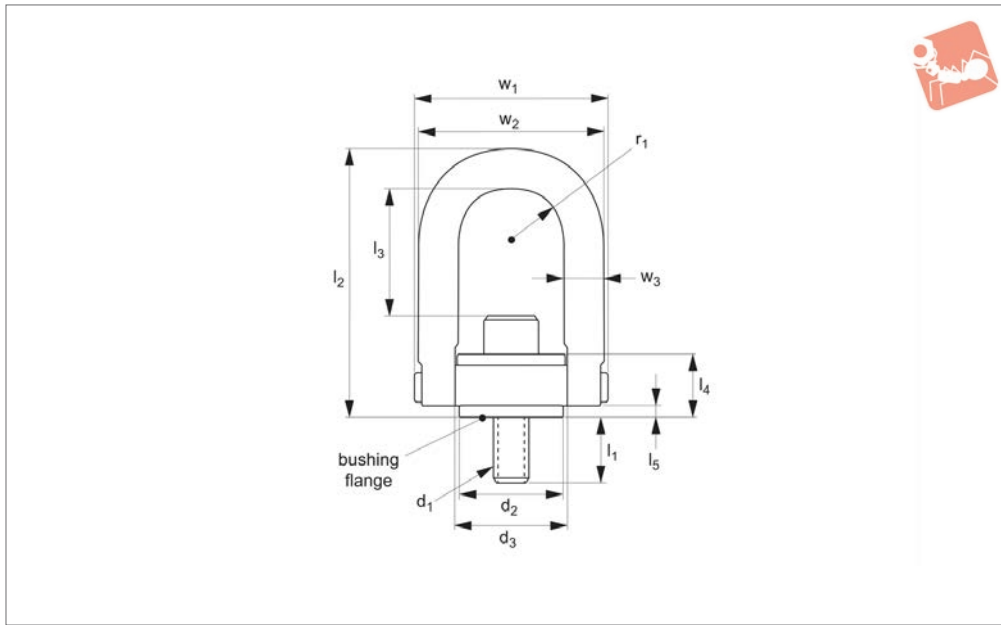
Order No.	l_3	l_4	l_5	r_1	w_1	w_2	w_3	tl ft-lb
63531.W0251I	1.33	0.71	0.17	0.43	1.84	1.61	3/8	5
63531.W0311I	1.27	0.71	0.17	0.43	1.84	1.61	3/8	7
63531.W0312I	1.27	0.71	0.17	0.43	1.84	1.61	3/8	7
63531.W0371I	1.21	0.71	0.17	0.43	1.84	1.61	3/8	12
63531.W0501I	1.84	0.93	0.20	0.70	2.58	2.40	1/2	28
63531.W0502I	2.31	1.22	0.16	0.88	3.52	3.25	3/4	28
63531.W0503I	2.31	1.22	0.16	0.88	3.52	3.25	3/4	28
63531.W0504I	2.31	1.22	0.16	0.88	3.52	3.25	3/4	28
63531.W0631I	2.18	1.22	0.16	0.88	3.52	3.25	3/4	60
63531.W0632I	2.18	1.22	0.16	0.88	3.52	3.25	3/4	60
63531.W0634I	2.18	1.22	0.16	0.88	3.52	3.25	3/4	60
63531.W0751I	2.06	1.22	0.16	0.88	3.52	3.25	3/4	100
63531.W0752I	2.06	1.22	0.16	0.88	3.52	3.25	3/4	100
63531.W0753I	3.06	1.71	0.24	1.40	5.14	4.80	1	100
63531.W0754I	3.06	1.71	0.24	1.40	5.14	4.80	1	100
63531.W0881I	2.93	1.71	0.24	1.40	5.14	4.80	1	160
63531.W1001I	2.81	1.71	0.24	1.40	5.14	4.80	1	230
63531.W1002I	2.81	1.71	0.24	1.40	5.14	4.80	1	230
63531.W1003I	2.81	1.71	0.24	1.40	5.14	4.80	1	230
63531.W1251I	4.12	2.11	0.35	1.75	6.50	6.00	1-1/4	470
63531.W1501I	6.41	2.81	0.47	2.25	8.55	8.00	1-3/4	800
63531.W2001I	5.41	2.81	0.47	2.25	8.55	8.00	1-3/4	1100
63531.W2002I	5.41	2.81	0.47	2.25	8.55	8.00	1-3/4	1100
63531.W2501I	8.03	4.09	1.12	3.00	11.67	10.50	2-1/4	2100
63531.W2502I	8.03	4.09	1.12	3.00	11.67	10.50	2-1/4	2100
63531.W3001I	8.48	5.27	1.00	3.75	14.15	13.00	2-3/4	4300
63531.W3501I	9.28	6.06	1.09	4.00	15.90	14.50	3-1/4	6600
63531.W4251I	12.13	7.50	1.33	5.00	19.69	18.00	4	12000
63531.W5001I	14.50	9.00	1.38	6.00	24.00	22.00	5	19800
63531.W6001I	14.00	9.00	1.88	6.00	24.00	22.00	5	29000



Lifting Points - Double Swivel - Male

long bar - UNC thread

Lifting Points & Shackles



63532

LIFTING POINTS & SHACKLES

Material

Forged alloy steel (4140), min. tensile strength 180,000psi. Black oxide coated.

Technical Notes

Meets manufacturing and design requirements of ASME -B30.26 and MIL-STD 209.

Magnetic particle inspected per ASTM 1444.

Tips

Min. design safety factor 5:1. 360° swivel and 180° pivot underload. Each part individually serial numbered.

tl = recommended torque load (ft - lbs)

Important Notes

All dimensions in imperial.

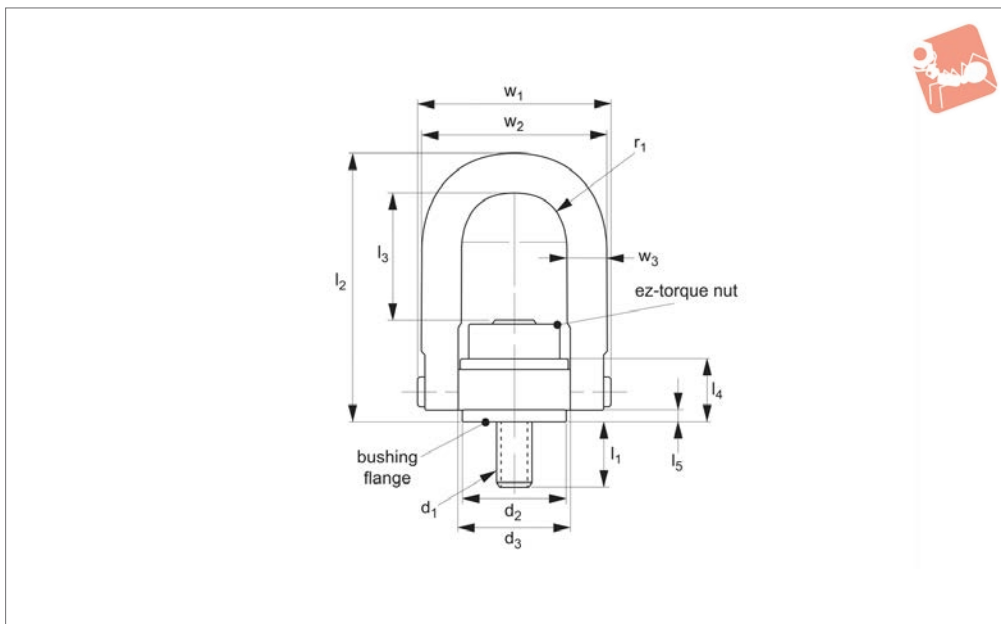
Always follow safety instructions.

Order No.	Rated load lb	d ₁	d ₂	d ₃	l ₁	l ₂	l ₃	Weight lb
63532.W0501I	2500	1/2-13	1.50	1.99	0.780	6.72	4.25	2.75
63532.W0502I	2500	1/2-13	1.50	1.99	0.103	6.72	4.25	2.00
63532.W0503I	2500	1/2-13	1.50	1.99	1.280	6.72	4.25	2.75
63532.W0631I	4000	5/8-11	1.50	1.99	1.030	4.38	4.12	2.87
63532.W0632I	4000	5/8-11	1.50	1.99	1.280	4.38	4.12	2.87
63532.W0751I	5000	3/4-10	1.50	1.99	1.030	4.38	4.00	3.00
63532.W0752I	5000	3/4-10	1.50	1.99	1.530	4.38	4.00	3.00
63532.W0753I	7000	3/4-10	2.37	3.00	1.040	8.11	4.65	7.25
63532.W0754I	7000	3/4-10	2.37	3.00	1.540	8.11	4.65	6.62
63532.W0881I	8000	7/8-9	2.37	3.00	1.040	8.11	4.52	6.75
63532.W1001I	10000	1-8	2.37	3.00	1.290	8.11	4.40	7.00
63532.W1002I	10000	1-8	2.37	3.00	1.540	8.11	4.40	7.00
63532.W1003I	10000	1-8	2.37	3.00	2.290	8.11	4.40	7.00

Order No.	l ₄	l ₅	r ₁	w ₁	w ₂	w ₃	tl ft-lb
63532.W0501I	1.22	0.16	0.88	3.52	3.25	3/4	28
63532.W0502I	1.22	0.16	0.88	3.52	3.25	3/4	28
63532.W0503I	1.22	0.16	0.88	3.52	3.25	3/4	28
63532.W0631I	1.22	0.16	0.88	3.52	3.25	3/4	60
63532.W0632I	1.22	0.16	0.88	3.52	3.25	3/4	60
63532.W0751I	1.22	0.16	0.88	3.52	3.25	3/4	100
63532.W0752I	1.22	0.16	0.88	3.52	3.25	3/4	100
63532.W0753I	1.71	0.24	1.40	5.14	4.80	1	100
63532.W0754I	1.71	0.24	1.40	5.14	4.80	1	100
63532.W0881I	1.71	0.24	1.40	5.14	4.80	1	160
63532.W1001I	1.71	0.24	1.40	5.14	4.80	1	230
63532.W1002I	1.71	0.24	1.40	5.14	4.80	1	230
63532.W1003I	1.71	0.24	1.40	5.14	4.80	1	230



63591



Material

Forged alloy steel (4140) min. tensile strength 180,000 psi. Black oxide coated.

Tips

EZ-torque hoist rings greatly reduce the required torque load (tl) for installation. Unique EZ-torque nut means hoist ring

requires only a standard torque wrench for installation, e.g EZ-torque hoist ring M30x3.5 requires only 13,5 Nm of torque, while a comparable standard hoist ring would require over 637 Nm.

Important Notes

Min. design safety factor 5:1. 360° swivel

180° pivot under load.

Individually serial numbered.

tl- recommended torque load (Nm.) for installation.

Always follow safety instructions.

Order No.	Rated load tonnes (t)	d ₁	d ₂	d ₃	l ₁	l ₂	l ₃	Weight kg
63591.W0301	7.00	M30x3,5	81.3	95.5	66	221.7	106.3	7.26
63591.W0361	11.00	M36x4,0	106.7	123.7	69	316.7	164.8	17.13
63591.W0421	12.50	M42x4,5	106.7	123.7	79	316.7	158.8	17.13
63591.W0481	13.50	M48x5,0	106.7	123.7	79	316.7	152.8	17.69
63591.W0641	22.00	M64x6,0	146.1	165.6	102	428.5	203.3	41.73
63591.W0721	31.50	M72x6,0	184.1	205.7	132	495.3	215.4	79.20
63591.W0901	51.00	M90x6,0	196.8	218.4	178	651.1	235.7	112.01

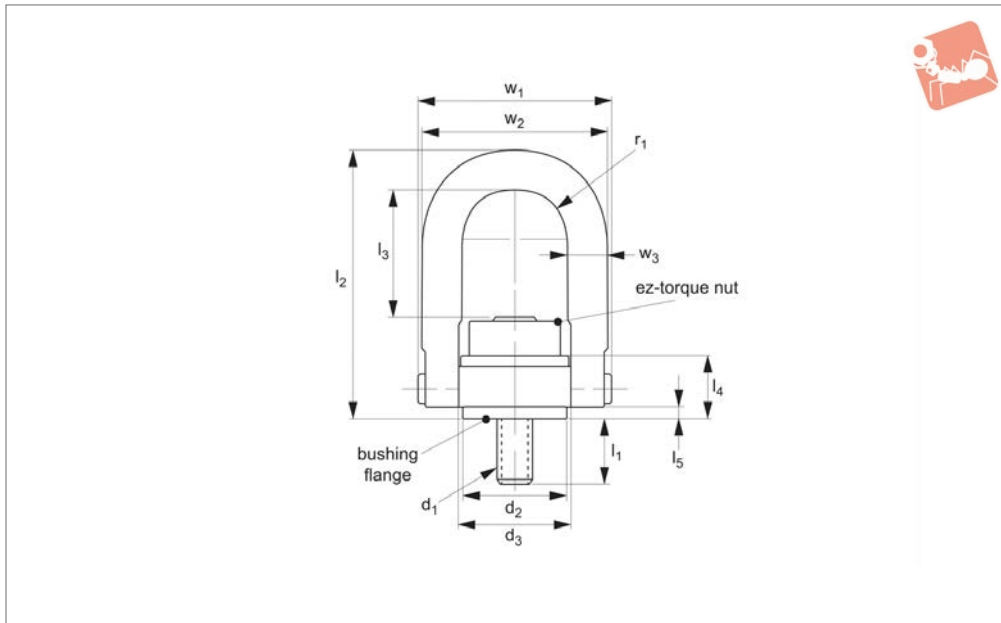
Order No.	l ₄	l ₅	r ₁	w ₁	w ₂	w ₃	tl Nm
63591.W0301	53.6	8.9	44.5	165.1	152.4	31.8	23.5
63591.W0361	71.4	11.9	57.2	217.2	203.2	44.5	20.8
63591.W0421	71.4	11.9	57.2	217.2	203.2	44.5	21.6
63591.W0481	71.4	11.9	57.2	217.2	203.2	44.5	21.3
63591.W0641	104.0	28.4	76.2	296.4	266.7	57.2	53.9
63591.W0721	133.9	25.4	95.2	368.3	330.2	69.8	124.7
63591.W0901	153.9	27.7	101.6	403.9	368.3	82.5	132.8



Lifting Points - Double Swivel - Male

easy torque - UNC thread

Lifting Points & Shackles



63592

LIFTING POINTS & SHACKLES

Material

Forged alloy steel (4140) min. tensile strength 180,000 psi. Black oxide coated.

Technical Notes

Min. design safety factor 5:1. 360° swivel 180° pivot under load. Individually serial numbered.

tl- recommended torque load (Nm) for installation.

Tips

EZ-torque hoist rings greatly reduce the required torque load (tl) for installation. Unique EZ-torque nut means hoist ring requires only a standard torque wrench for

installation, e.g EZ-torque hoist ring M30x3,5 requires only 13,5 ft - lbs of torque, while a comparable standard hoist ring would require over 637 ft - lbs.

Important Notes

All dimensions in imperial.

Always follow safety instructions.

Order No.	Rated load lb	d ₁ UNC	d ₂	d ₃	l ₁	l ₂	l ₃	Weight lb
63592.W1251I	15000	1-1/4-7	3.20	3.76	1.89	8.73	3.88	16.00
63592.W1501I	24000	1-1/2-6	4.20	4.87	2.70	12.47	6.12	37.37
63592.W2001I	30000	2-4-1/2	4.20	4.87	2.96	12.47	6.12	39.00
63592.W2501I	50000	2-1/2-8	5.75	6.52	4.00	16.87	7.73	92.00
63592.W2502I	50000	2-1/2-4	5.75	6.52	4.00	16.87	7.73	92.00
63592.W3001I	75000	3-4	7.25	8.10	5.20	19.50	8.53	174.60
63592.W3501I	100000	3-1/2-4	7.75	8.60	7.00	22.09	9.28	246.94
63592.W4251I	150000	4 1/4-4	9.87	10.75	8.50	27.38	12.93	527.00
63592.W5001I	200000	5-4	12.38	13.00	9.00	33.00	15.00	763.00
63592.W6001I	250000	6-4	12.38	13.00	9.00	33.00	15.00	841.00

Order No.	l ₄	l ₅	r ₁	w ₁	w ₂	w ₃	tl ft-lb
63592.W1251I	2.11	0.35	1.75	6.50	6.0	1-1/4	10
63592.W1501I	2.81	0.47	2.25	8.55	8.0	1-3/4	18
63592.W2001I	2.81	0.47	2.25	8.55	8.0	1-3/4	23
63592.W2501I	4.09	1.12	3.00	11.67	10.5	2-1/4	49
63592.W2502I	4.09	1.12	3.00	11.67	10.5	2-1/4	49
63592.W3001I	5.27	1.00	3.75	14.15	13.0	2-3/4	92
63592.W3501I	6.06	1.09	4.00	15.90	14.5	3-1/4	98
63592.W4251I	7.50	1.33	5.00	19.69	18.0	4	123
63592.W5001I	9.00	1.88	6.00	24.00	22.0	5	193
63592.W6001I	9.00	1.88	6.00	24.00	22.0	5	207



Heavy duty safety hoist rings are stronger than competitive lifting devices, providing better value while delivering the quality and safety only the best design and manufacture can achieve.

- Manufactured from high strength alloy steel.
- One piece body and shouldered d-ring element.
- Just 6 component parts for increased safety.

The patented shoulder pin used in our heavy duty safety hoist rings allows for rotation of the pin, without shearing of any retaining dowel pin which is so often used in the construction of other competitive hoist rings. This unique design element enables disassembly of our hoist rings for inspection, compliance testing and reassembly.

General maintenance and care

Improper maintenance and inspection of your hoist ring could result in damaged equipment, personal injury or even death. In order to ensure maximum safety please read, understand and follow these maintenance and inspection guidelines prior to using any lifting hoist ring.

Maintenance

- When not in use, store hoist rings carefully to prevent corrosion or accidental damage.
- Do not remove the installation and safety tag from the lifting device. Ensure the identification tag remains legible during the life to the lifting device.

Inspection

Visually inspect the lifting device prior to any use. Frequency of inspection should increase with the frequency of use, severity of service conditions and the more safety critical the use of the device. Discontinue use of any lifting device if inspection identifies any of the following:

- Missing identification tags.
- Indications of heat damage.
- Excessive corrosion or pitting.
- Damaged or missing load bearing components.
- Excessive nicks or gouges.
- Excessive thread damage.
- Evidence of unauthorised welding or modification.
- Lack of ability to swivel 360° or pivot 180°.

Important installation and operation instructions

It is very important for you to read and comply with these installation and safety notes prior to use or any lifting device.

Installation

- Ensure thread has been tapped perpendicular to the mounting surface. Mounting surface should be flat to provide full 360° flush seating for the hoist ring.
- For installation in ferrous metal ensure bolt is tightened to the full torque load +0-20% (as specified on the product data sheet).
- To ensure the 5:1 design safety factor we recommend the ultimate tensile strength of the mating material to be min. 80,000 psi.
- For weaker mating material consider using longer bolts or through hole mounting with a nut and washer on the back side. To prevent stripping the mating thread, lower torque values (down to half the stated value) may be considered in temporary installations.
- On completion of installation check the lifting ring can swivel and pivot freely in all directions.
- Use at temperatures between -30°C and +200°C

Safety notes

- Never exceed the working load limit.
- Visually inspect the hoist ring for damage before each use.
- Loosening of the a bolt may develop after prolonged service, it is advisable to periodically retighten to the specified torque value.
- Apply lifting loads gradually to avoid shock loads.
- Use of free fit spacers between the lifting ring bush flange and the mounting surface is not recommended.
- Do not over size hooks nor use attachment methods which spread the ring.
- It is important to align the lifting ring with ~the direction of the load.
- Do not attach guidelines to hoist rings.
- Do not leave a gap between lifting ring bushing and mounting surface.
- Never allow personnel to walk underneath a suspended load.



Hoist Ring Safety and Installation

safety guidelines



$$F = \frac{W}{N \sin A}$$

F = force on each hoist ring
 N = number of hoist rings
 A = lifting angle
 W = total weight

For example:

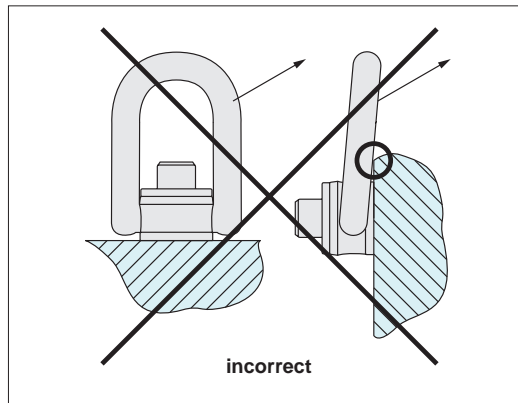
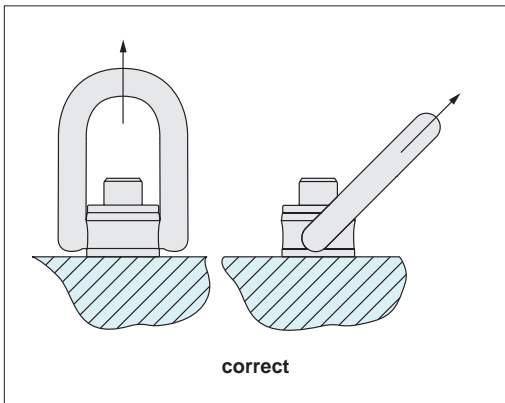
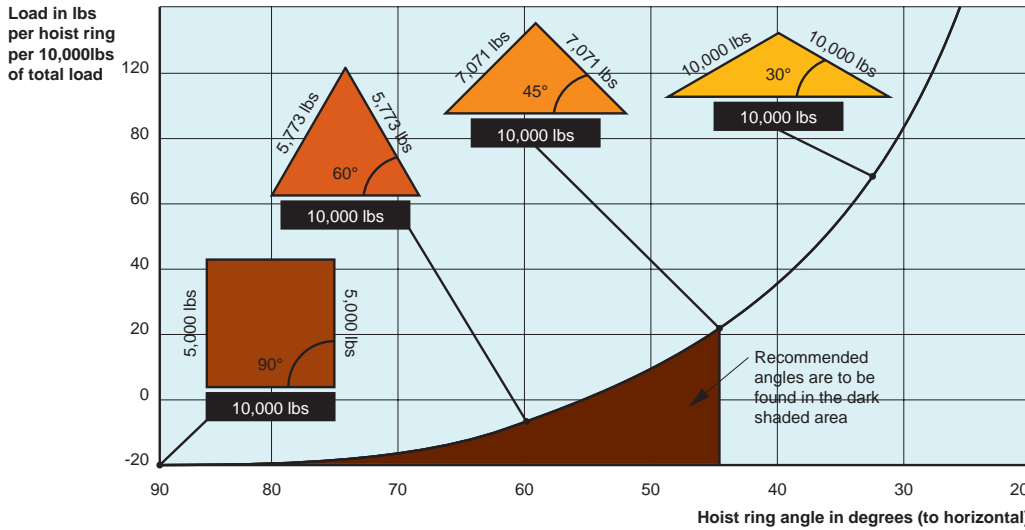
If A = 65° $F = \frac{4000}{4 \sin 65^\circ} = 1103 \text{ lbs.}$

If A = 14° $F = \frac{4000}{4 \sin 14^\circ} = 4134 \text{ lbs.}$

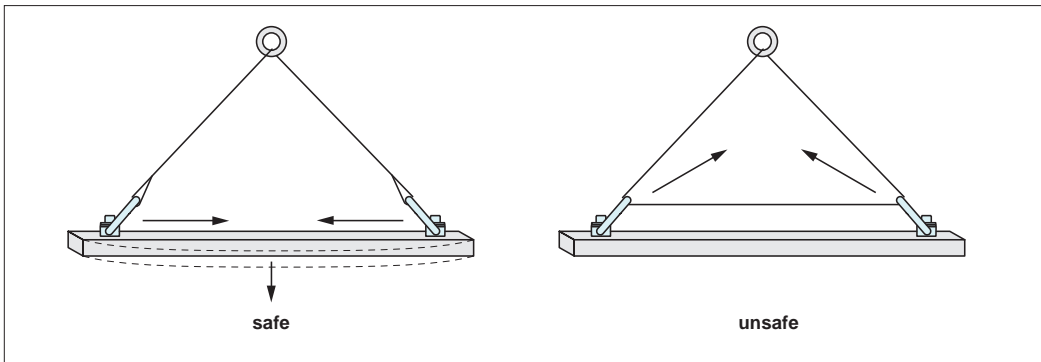
Formula to calculate the load per lifting ring

Important note: The force exerted on each hoist ring is not simply a function of the total weight divided by the number of hoist rings, but is critically reliant upon the lifting angle, greater forces are present the lower the lifting angle. See example below.

Angular lifting

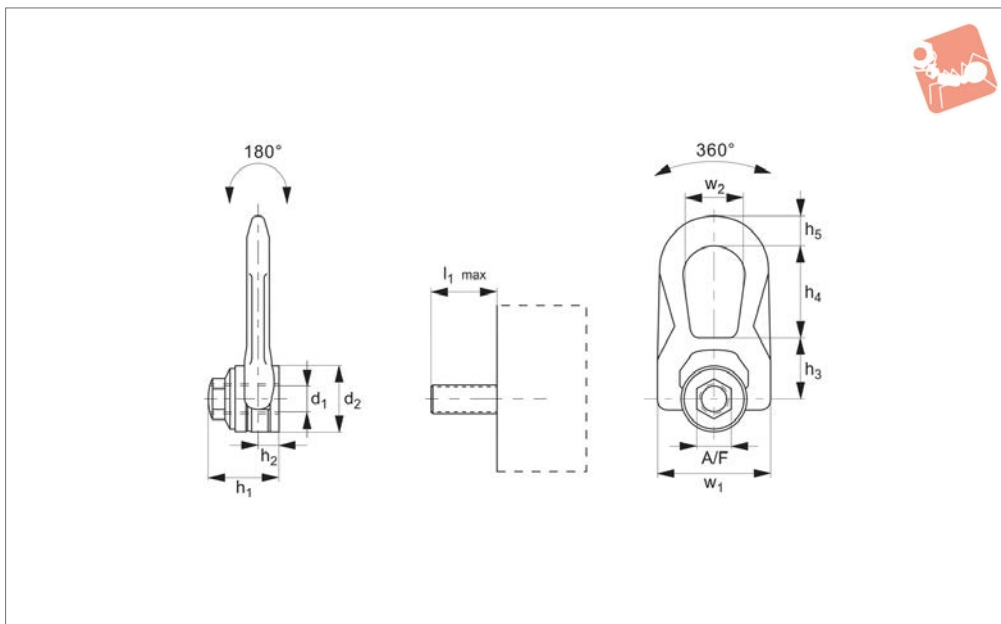


Do not allow the lifting ring to bind/stick and hence apply side loads to the bail. Ensure loads applied are in the same direction of the bail. If necessary use a spreader bar to avoid binding.





63054



Material

High tensile steel, strength class >8.
Supplied with CE certificate.

Technical Notes

Double articulation.
Very low overhang for improved safety.
Large support surface.
For use in temperatures from -20°C to +200°C. Can be used in lower or higher temperatures,

but this affects the load rating - please ask for more information.

Please refer to our technical information pages when specifying and/or using.

Tips

Double articulation allows perfect alignment with the sling if the part rotates during the lift.

With „automatic“ position recovery system for best orientation to sling direction.

Tighten by hex. key or spanner.

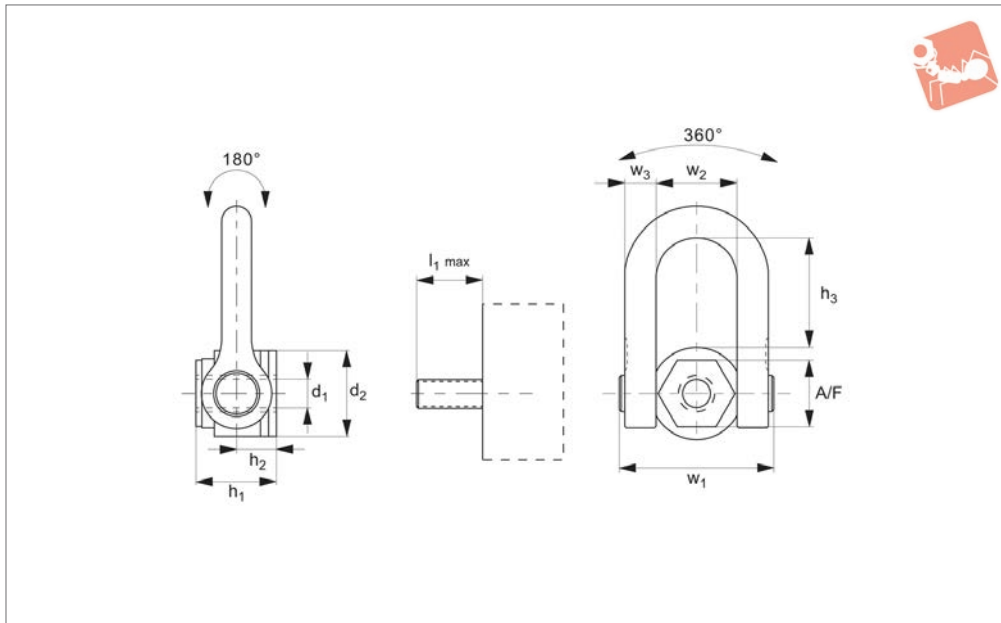
Important Notes

Please read our instruction leaflet when specifying and/or using.

Please refer to the safety documentation before using this part.

Supplied with certificate and operating instructions.

Order No.	Load tons (t) max.	d ₁ 6H (tol. 2A)	h ₁ & l _{max.}	h ₂	h ₃	h ₄	h ₅	w ₁	d ₂	w ₂	A/F	Safety factor	Torque to Nm	Weight kg
63054.W0008	0.5	M 8x 1,25	45	13	40	53	17	76	45	38	20	4	6	0.9
63054.W0010	0.9	M10x1,50	45	13	40	53	17	76	45	38	20	4	10	0.9
63054.W0012	1.3	M12x1,75	45	13	40	53	17	76	45	38	20	4	15	0.9
63054.W0016	2.3	M16x2,00	45	13	40	53	17	76	45	38	20	4	50	0.9
63054.W0020	2.5	M20x2,50	62	19	55	83	25	115	60	55	24	4	100	2.6
63054.W0038	(1.600)	(UNC 3/8"-16)	45	13	40	53	17	76	45	38	20	4	8	0.9
63054.W0058	(4.900)	(UNC 5/8"-11)	45	13	40	53	17	76	45	38	20	4	40	0.9
63054.W0088	(9.800)	(UNC 7/8"-9)	62	19	55	83	25	115	60	55	24	4	90	2.6



63084

LIFTING POINTS & SHACKLES

Material

High tensile steel, strength class >8.
Supplied with CE certificate.

Technical Notes

Designed to be used directly with the hook of the crane. Load ratings clearly marked. For use in temperatures from -20°C to +200°C. Can be used in lower or higher temperatures, but this affects the load rating - please ask

for more information.

Please refer to our technical information pages when specifying and/or using.

Tips

Double articulation allows perfect alignment with the sling if the part rotates during the lift.
With „automatic“ position recovery system for best orientation to sling direction.
Tighten by hex. key or spanner.

Important Notes

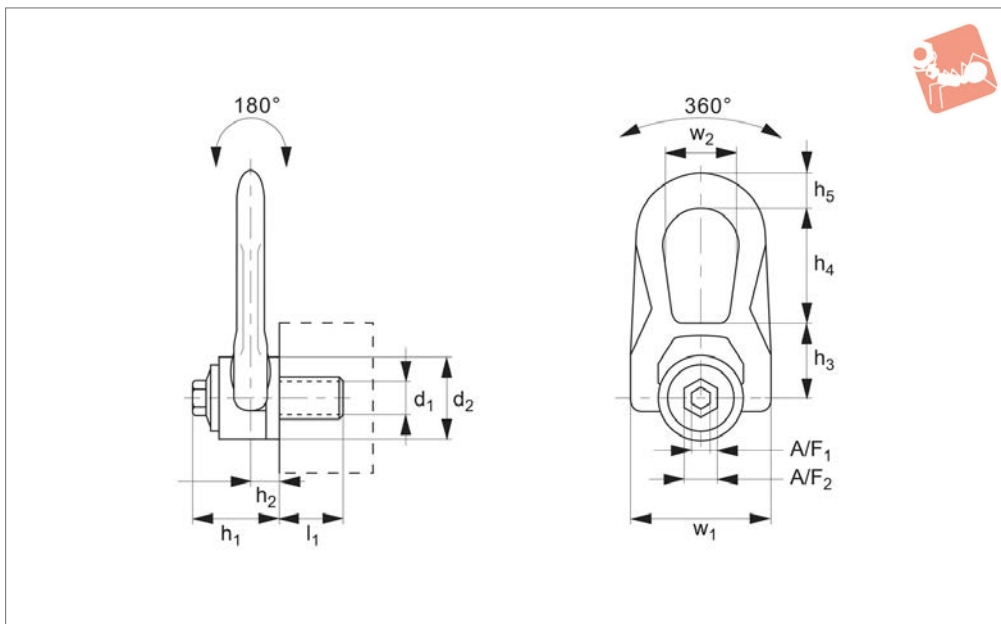
Tolerance of male thread to be 6H (metric) or UNC-2B (inch).

Please refer to the safety documentation before using this part.
Supplied with certificate and operating instructions.

Order No.	Load tons (t) max.	d ₁ tol. 6g (tol. 2A)	h ₁ & l _{max} .	h ₂	h ₃	w ₁	d ₂	w ₂	w ₃	A/F	Safety factor	Torque to Nm	Weight kg
63084.W0030	8.5	M30x3,5	66	31	98	149	70	73	33	50	4	250	5.1



63200



Material

High tensile stainless steel (316L), strength class >8.
Supplied with CE certificate.

Technical Notes

Double articulation.
Very low overhang for improved safety.
Large support surface.
For use in temperatures from -20°C to +200°C. Can be used in lower or higher temperatures but this affects the load rating - please ask for more information.
Longer or shorter thread lengths can be

supplied but please consult our technical department for this information if required.
Please refer to our technical information pages when specifying and/or using.

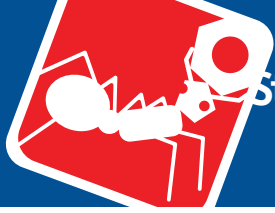
Tips

Double articulation allows perfect alignment with the sling.
With „automatic“ position recovery system for best orientation to sling direction.
Tighten by hex. key or spanner.

Important Notes

The thread diameter and depth must be appropriate to the material into which it will be installed:
Steel (min. ST37) - 1 x thread dia.
Cast iron - 1.25 x thread dia.
Aluminium - 2 x thread dia.
Other light metals - 2.5 x thread dia.
Tolerance of female thread to be 6H (metric) or UNC-2B (inch). **Please refer to the safety documentation before using this part.**
Supplied with certificate and operating

Order No.	Load tonnes (t) max.	d ₁ tol. 6g (tol. 2A)	h ₁	w ₁	h ₂	h ₃	h ₄	h ₅	d ₂	l ₁	w ₂	A/F ₁	A/F ₂	Safety factor	Torque to Nm	Weight kg
63200.W0008	0.3	M 8x 1,25	32	53	9.5	30	39	13	30	16	28	8	16	4	6	0.3
63200.W0010	0.5	M10x1,50	32	53	9.5	30	39	13	30	16	28	8	16	4	10	0.3
63200.W0012	0.8	M12x1,75	32	53	9.5	30	39	13	30	19	28	8	16	4	15	0.3
63200.W0014	1.0	M14x2,00	44	76	13.0	40	53	17	45	29	38	8	20	4	30	0.9
63200.W0016	1.5	M16x2,00	44	76	13.0	40	53	17	45	26	38	8	20	4	50	0.9
63200.W0018	1.5	M18x2,50	44	76	13.0	40	53	17	45	30	38	8	20	4	70	1.0
63200.W0020	1.6	M20x2,50	44	76	13.0	40	53	17	45	30	38	8	20	4	100	1.0
63200.W0022	2.2	M22x2,50	62	115	19.0	55	83	25	58	42	56	14	24	4	120	2.5
63200.W0024	2.7	M24x3,00	62	115	19.0	55	83	25	58	42	56	14	24	4	160	2.6
63200.W0027	2.9	M27x3,00	62	115	19.0	55	83	25	58	42	56	14	24	4	200	2.7
63200.W0030	3.5	M30x3,50	62	115	19.0	55	83	25	58	47	56	14	24	4	250	2.8



Stainless Steel Double Swivel Lifting Rings

max. load rating - per lifting configuration

63200

Materials Handling



LIFTING POINTS & SHACKLES



63200 Male

Lifting configuration									
No. of rings	1	2	1	2	2	2	4	4	
Lifting angle	0°	0°	90°	90°	45°	60°	45°	60°	
Thread	Maximum load rating for given lifting configuration								
M8	tons	0,30	0,60	0,30	0,60	0,40	0,30	0,60	0,30
M8*	tons	0,30	0,60	0,30	0,60	0,40	0,30	0,60	0,30
M10	tons	0,50	1,00	0,50	1,00	0,70	0,50	1,10	0,50
M10*	tons	0,50	1,00	0,50	1,00	0,70	0,50	1,10	0,50
M12	tons	0,80	1,60	0,80	1,60	1,10	0,80	1,70	0,80
M12*	tons	0,80	1,60	0,80	1,60	1,10	0,80	1,70	0,80
M14	tons	1,00	2,00	1,00	2,00	1,40	1,00	2,10	1,00
M16	tons	1,50	3,00	1,50	3,00	2,10	1,50	3,20	1,50
M18	tons	1,50	3,00	1,50	3,00	2,10	1,50	3,20	1,50
M20	tons	1,60	3,20	1,60	3,20	2,20	1,60	3,40	1,60
M22	tons	2,00	4,00	2,00	4,00	2,80	2,00	4,20	2,00
M24	tons	2,70	5,40	2,70	5,40	3,80	2,70	5,70	2,70
M27	tons	2,80	5,60	2,80	5,60	3,90	2,80	5,90	2,80
M30	tons	3,00	6,00	3,00	6,00	4,20	3,00	6,30	3,00

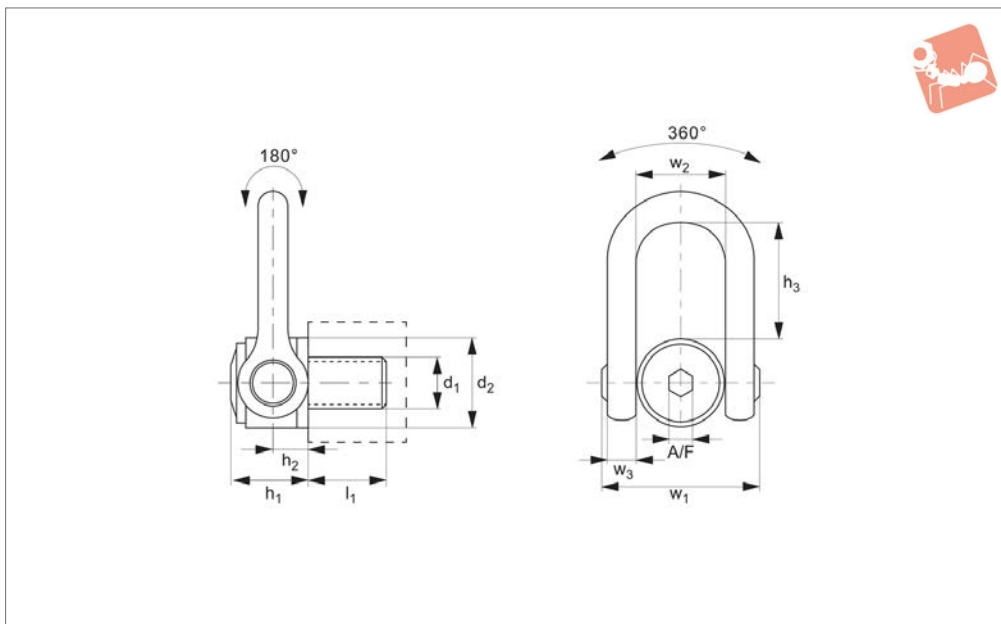
*Fine Thread.

Important Note: Table shows the maximum load rating for a given lifting configuration (NOT maximum load rating per individual lifting ring).

ov-W63200-AP4020-T-stainless-steel-double-swivel-lifting-rings-rmh-Updated-28-10-2022



63210



Material

High tensile stainless steel (316L), strength class >8.
Supplied with CE certificate.

Technical Notes

Double articulation, very low overhang for improved safety, large support surface.
For use in temperatures from -20°C to +200°C. Can be used in lower or higher temperatures, but this affects the load rating - please ask for more information. * = non standard thread pitch.
Longer or shorter thread lengths can be

supplied but please consult our technical department for this information if required.
Please refer to our technical information pages when specifying and/or using.

Tips

Double articulation allows perfect alignment with the sling.
With „automatic“ position recovery system for best orientation to sling direction.
Tighten by hex. key or spanner.

Important Notes

The thread diameter and depth must be

appropriate to the material into which it will be installed:

Steel (min. ST37) - 1 x thread dia.

Cast iron - 1.25 x thread dia.

Aluminium - 2 x thread dia.

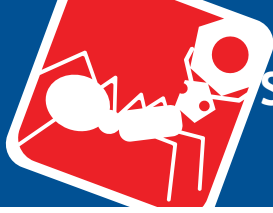
Other light metals - 2.5 x thread dia.

Tolerance of female thread to be 6H (metric) or UNC-2B (inch).

Please refer to the safety documentation before using this part.

Supplied with certificate and operating instructions.

Order No.	Load tons (t) max.	d ₁ tol. 6g (tol. 2A)	h ₁	w ₁	h ₂	h ₃	d ₂	l ₁	w ₂	w ₃	A/F	Safety factor	Torque to Nm (ft-lb)	Weight kg
63210.W0030	3.5	M30x3,5	61	149	31	98	70	45	73	30	19	4	250	5.2
63210.W0033	3.5	M33x3,5	61	149	31	98	70	50	73	30	19	4	250	5.2
63210.W0036	5.0	M36x4,0	61	149	31	98	70	54	73	30	19	4	320	5.2
63210.W0037	5.0	M36x3,0*	61	149	31	98	70	54	73	30	19	4	320	5.2
63210.W0039	5.0	M39x4,0	61	149	31	98	70	54	73	30	19	4	320	5.4
63210.W0042	6.0	M42x4,5	61	149	31	98	70	63	73	30	19	4	400	5.4
63210.W0043	6.0	M42x3,0*	61	149	31	98	70	63	73	30	19	4	400	5.4
63210.W0045	6.0	M45x4,5	61	149	31	98	70	63	73	30	19	4	400	5.7
63210.W0100	(6000)	(UNC 1"-8)	61	149	31	98	70	40	73	30	3/4"	4	(125)	5.2
63210.W0125	(7500)	(UNC 1 1/4"-7)	61	149	31	98	70	45	73	30	3/4"	4	(200)	5.2
63210.W0137	(7500)	(UNC 1 3/8"-6)	61	149	31	98	70	54	73	30	3/4"	4	(240)	5.2
63210.W0150	(11000)	(UNC 1 1/2"-6)	61	149	31	98	70	61	73	30	3/4"	4	(240)	5.4



Stainless Steel Double Swivel Lifting Rings

max. load rating - per lifting configuration

63210

Materials Handling



63210 Male

Lifting configuration								
	α max. = 60°		α max. = 60°		α max. = 60°		α max. = 60°	
No. of rings	1	2	1	2	2	2	4	4
Lifting angle	0°	0°	90°	90°	45°	60°	45°	60°
Thread	Maximum load rating for given lifting configuration							
M24 tons	2,70	5,40	2,70	5,40	3,80	2,70	5,70	2,70
M27 tons	2,80	5,60	2,80	5,60	3,90	2,80	5,90	2,80
M30 tons	3,50	7,00	3,50	7,00	4,90	3,50	7,30	3,50
M33 tons	3,50	7,00	3,50	7,00	4,90	3,50	7,30	3,50
M36 tons	5,00	10,00	5,00	10,00	7,00	5,00	10,50	5,00
M36* tons	5,00	10,00	5,00	10,00	7,00	5,00	10,50	5,00
M39 tons	5,00	10,00	5,00	10,00	7,00	5,00	10,50	5,00
M42 tons	6,00	12,00	6,00	12,00	8,40	6,00	12,60	6,00
M42* tons	6,00	12,00	6,00	12,00	8,40	6,00	12,60	6,00
M45 tons	6,00	12,00	6,00	12,00	8,40	6,00	12,60	6,00
(UNC 1"-8) lbs	6,000	12,000	6,000	12,000	8,400	6,000	12,600	6,000
(UNC 1 1/4"-7) lbs	7,500	15,000	7,500	15,000	10,500	7,500	15,750	7,500
(UNC 1 3/8"-6) lbs	7,500	15,000	7,500	15,000	10,500	7,500	15,750	7,500
(UNC 1 1/2"-6) lbs	11,000	22,000	11,000	22,000	15,400	11,000	23,100	11,000

*Fine Thread

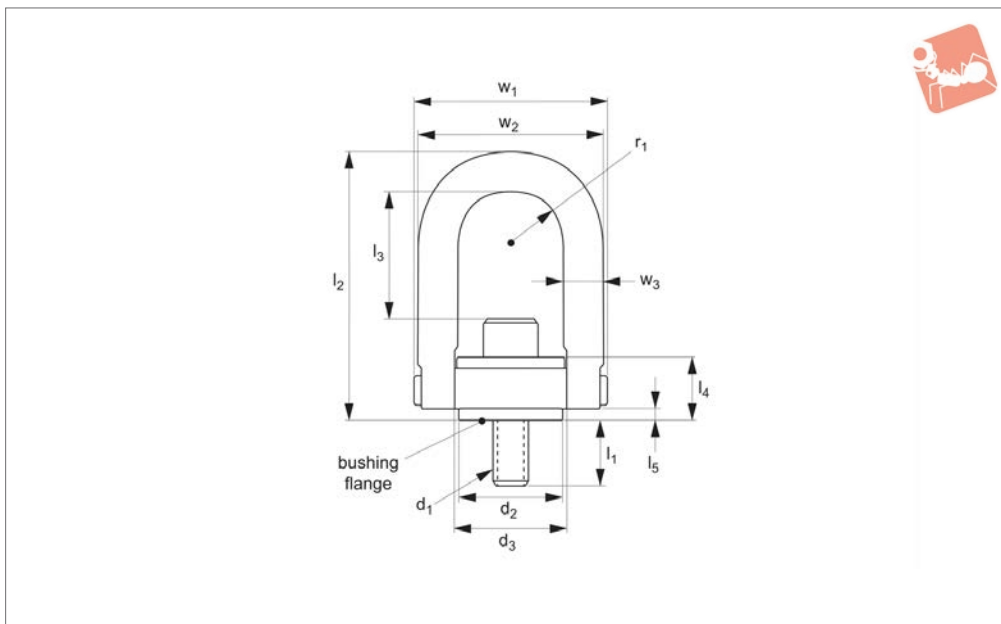
Important Note: Table shows the maximum load rating for a given lifting configuration (NOT maximum load rating per individual lifting ring).

LIFTING POINTS & SHACKLES

ov-W63210-AP4022-T-stainless-steel-double-swivel-lifting-rings-rmh-Updated-28-10-2022



63571



Material

Stainless steel, 300 series.

Each part individually numbered.

tl= recommended torque load (Nm.)

ASTM-A967.

Technical Notes

Min. design safety factor 5:1. 360° swivel and 180° pivot under load.

Tips

Liquid penetrant tested as ASTM-E1417. Purification process, clean and passivate as

Important Notes

Always follow safety instructions.

Order No.	Rated load tonnes (t)	d ₁	l ₁	w ₁	d ₂	d ₃	l ₂	Weight kg
63571.W0081	0.200	M 8x1,25	17	46.7	19.1	25.4	67.8	0.14
63571.W0101	0.225	M10x1,50	17	46.7	19.1	25.4	67.8	0.14
63571.W0121	0.525	M12x1,75	19	89.4	38.0	50.5	121.4	1.05
63571.W0161	0.950	M16x2,00	24	89.4	38.0	50.5	121.4	1.11
63571.W0201	1.100	M20x2,50	30	89.4	38.0	50.5	121.4	1.16
63571.W0202	1.500	M20x2,50	29	130.5	58.7	76.2	165.8	3.06
63571.W0241	2.100	M24x3,00	34	130.5	58.7	76.2	165.8	3.18
63571.W0301	3.500	M30x3,50	46	165.1	81.3	95.5	221.7	3.36
63571.W0302	3.500	M30x3,50	66	165.1	81.3	95.5	221.7	6.70
63571.W0362	5.500	M36x4,00	69	217.2	106.7	123.7	316.7	15.34
63571.W0421	6.250	M42x4,50	79	217.2	106.7	123.7	316.7	15.91
63571.W0481	7.250	M48x5,00	79	217.2	106.7	123.7	316.7	16.36
63571.W0641	11.000	M64x6,00	102	269.4	146.1	165.6	428.5	39.77

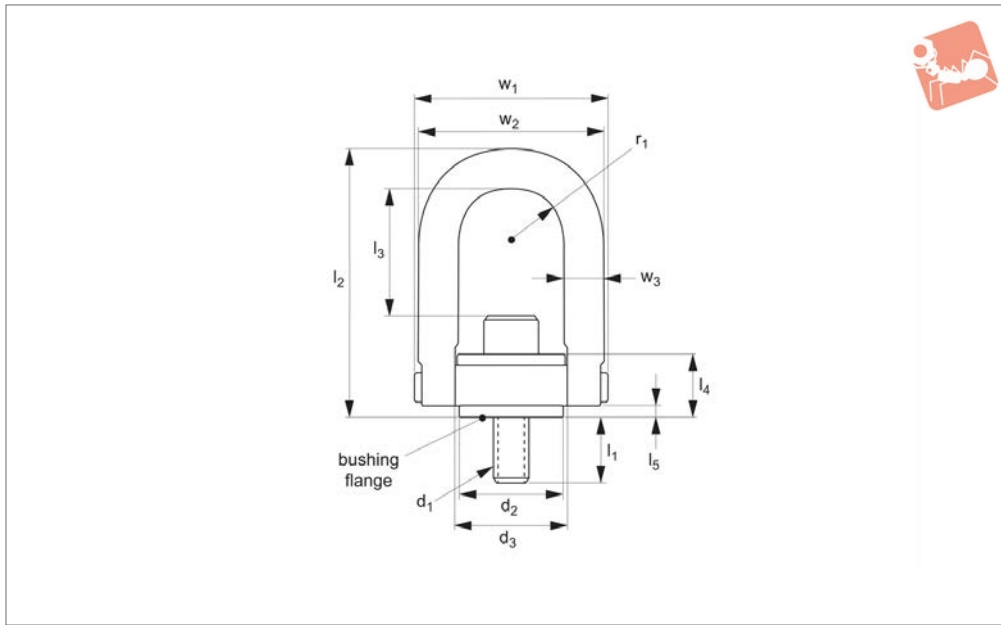
Order No.	l ₃	l ₄	l ₅	r ₁	w ₂	w ₃	tl Nm
63571.W0081	32.1	18.0	4.3	10.9	40.9	9.5	4.75
63571.W0101	30.2	18.0	4.3	10.9	40.9	9.5	8.00
63571.W0121	59.4	31.0	4.1	24.4	82.5	19.0	18.50
63571.W0161	55.4	31.0	4.1	24.4	82.5	19.0	40.00
63571.W0201	51.4	31.0	4.1	24.4	82.5	19.0	67.50
63571.W0202	77.0	43.4	6.1	35.6	121.2	25.4	67.50
63571.W0241	73.0	43.4	6.1	35.6	121.2	25.4	155.50
63571.W0301	106.3	53.6	8.9	44.5	52.4	31.8	318.60
63571.W0302	106.3	53.6	8.9	44.5	52.4	31.8	318.60
63571.W0362	164.8	71.4	11.9	57.2	203.2	44.5	542.70
63571.W0421	158.8	71.4	11.9	57.2	203.2	44.5	542.70
63571.W0481	152.8	71.4	11.9	57.2	203.2	44.5	542.70
63571.W0641	203.3	104.0	28.4	76.2	266.7	57.2	1423.70



Lifting Points - Double Swivel - Male

long bar - metric - coarse - stainless steel

Lifting Points & Shackles



63572

LIFTING POINTS & SHACKLES

Material

Stainless steel, 300 series.

Technical Notes

Min. design safety factor 5:1. 360° swivel and 180° pivot under load.

Each part individually numbered.

tl = recommended torque load (Nm.)

Tips

Liquid penetrant tested as ASTM-E1417.

Purification process, clean and passivate as

ASTM-A967.

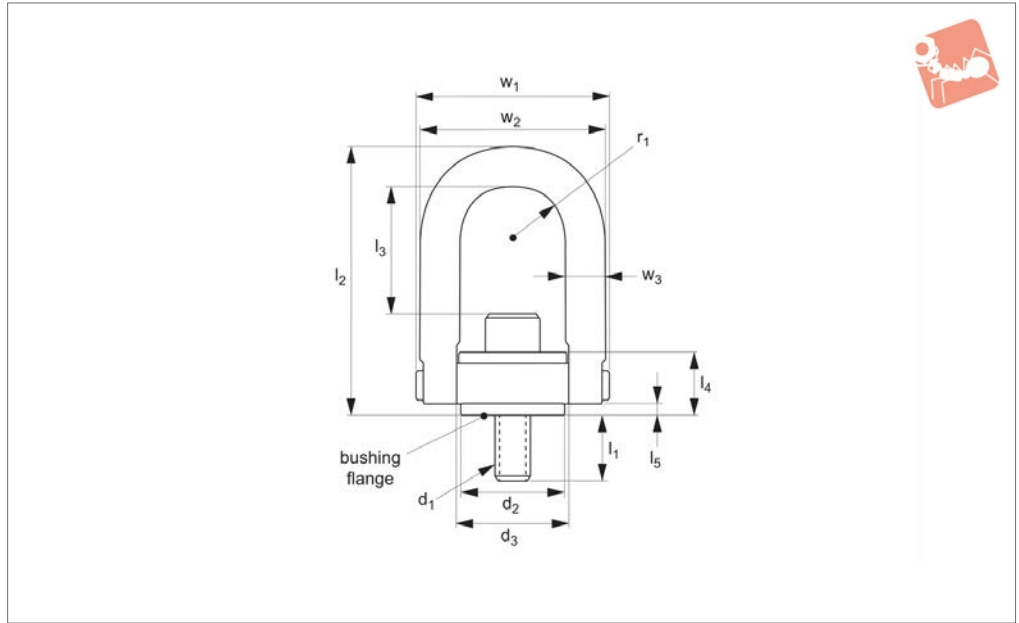
Important Notes

Always follow safety instructions.

Order No.	Rated load tonnes (t)	d ₁	l ₁	w ₁	d ₂	d ₃	l ₂	l ₃	l ₄	l ₅	r ₁	w ₂	tl Nm	Weight kg
63572.W0121	0.525	M12x1,75	19	89.4	38.0	50.5	121.4	108.6	31.0	4.1	22.4	82.5	18.5	1.27
63572.W0161	0.950	M16x2,00	24	89.4	38.0	50.5	121.4	104.6	31.0	4.1	22.4	82.5	40.0	1.33
63572.W0201	1.100	M20x2,50	30	89.4	38.0	50.5	121.4	100.6	31.0	4.1	22.4	82.5	67.5	1.38
63572.W0202	1.500	M20x2,50	29	130.5	58.7	76.2	165.8	117.9	43.4	5.1	35.6	121.2	67.5	3.77
63572.W0241	2.100	M24x3,00	34	130.5	58.7	76.2	165.8	113.9	43.4	6.1	35.6	121.2	155.5	3.89
63572.W0301	2.250	M30x3,50	54	130.5	58.7	76.2	165.8	109.0	43.4	6.1	35.6	121.2	155.5	4.01



63581



LIFTING POINTS & SHACKLES

Material

Stainless steel, 300 series.

Technical Notes

Min. design safety factor 5:1. 360° swivel and 180° pivot under load.

Each part individually numbered.

tl = recommended torque load (ft - lbs)

Tips

Liquid penetrant tested as ASTM-E1417.

Purification process, clean and passivate as

ASTM-A967.

Important Notes

All dimensions in imperial.

Always follow safety instructions.

Order No.	Rated load lb	d ₁	l ₁	w ₁	d ₂	d ₃	l ₂	l ₃	Weight lb
63581.W0251I	275	1/4-20	0.54	1.84	0.75	1.00	2.67	1.33	0.31
63581.W0311I	400	5/16-18	0.29	1.84	0.75	1.00	2.67	1.27	0.31
63581.W0312I	400	5/16-18	0.54	1.84	0.75	1.00	2.67	1.27	0.31
63581.W0371I	500	3/8-16	0.54	1.84	0.75	1.00	2.67	1.21	0.31
63581.W0501I	1250	1/2-13	1.07	2.58	1.25	1.49	3.77	1.84	1.00
63581.W0502I	1250	1/2-13	0.78	3.52	1.50	1.99	4.78	2.31	2.31
63581.W0503I	1250	1/2-13	1.03	3.52	1.50	1.99	4.78	2.31	2.31
63581.W0504I	1250	1/2-13	1.28	3.52	1.50	1.99	4.78	2.31	2.31
63581.W0631I	2000	5/8-11	0.78	3.52	1.50	1.99	4.78	2.18	2.43
63581.W0632I	2000	5/8-11	1.03	3.52	1.50	1.99	6.72	2.18	2.43
63581.W0634I	2000	5/8-11	1.28	3.52	1.50	1.99	6.72	2.18	2.43
63581.W0751I	2500	3/4-10	1.03	3.52	1.50	1.99	6.72	2.06	2.56
63581.W0752I	2500	3/4-10	1.53	3.52	1.50	1.99	6.72	2.06	2.56
63581.W0753I	3500	3/4-10	1.04	5.14	2.37	3.00	6.52	3.06	6.62
63581.W0754I	3500	3/4-10	1.54	5.14	2.37	3.00	6.52	3.06	6.62
63581.W0881I	4000	7/8-9	1.04	5.14	2.37	3.00	6.52	2.93	6.75
63581.W1001I	5000	1-8	1.29	5.14	2.37	3.00	6.52	2.81	7.00
63581.W1002I	5000	1-8	1.54	5.14	2.37	3.00	6.52	2.81	7.00
63581.W1003I	5000	1-8	2.29	5.14	2.37	3.00	6.52	2.81	7.00
63581.W1251I	7500	1-1/4-7	1.89	6.50	3.20	3.76	8.73	4.12	14.00
63581.W1501I	12000	1-1/2-6	2.70	8.55	4.20	4.87	12.47	6.41	33.75
63581.W2001I	15000	2-4-1/4	2.96	8.55	4.20	4.87	12.47	5.41	36.00
63581.W2501I	25000	2-1/2-8	4.00	11.67	5.75	6.52	16.87	8.03	87.50
63581.W2502I	25000	2-1/2-4	4.00	11.67	5.75	6.52	16.87	8.03	87.50
63581.W3001I	37500	3-4	5.20	14.15	7.25	8.10	19.50	8.48	166.00
63581.W3501I	50000	3-1/2-4	7.00	15.90	7.75	8.60	22.09	9.28	240.00

Order No.	l ₄	l ₅	r ₁	w ₂	w ₃	tl ft-lb
63581.W0251I	0.71	0.17	0.43	1.61	3/8	2.5
63581.W0311I	0.71	0.17	0.43	1.61	3/8	3.5
63581.W0312I	0.71	0.17	0.43	1.61	3/8	3.5



Lifting Points - Double Swivel - Male

standard bar - UNC thread - stainless steel

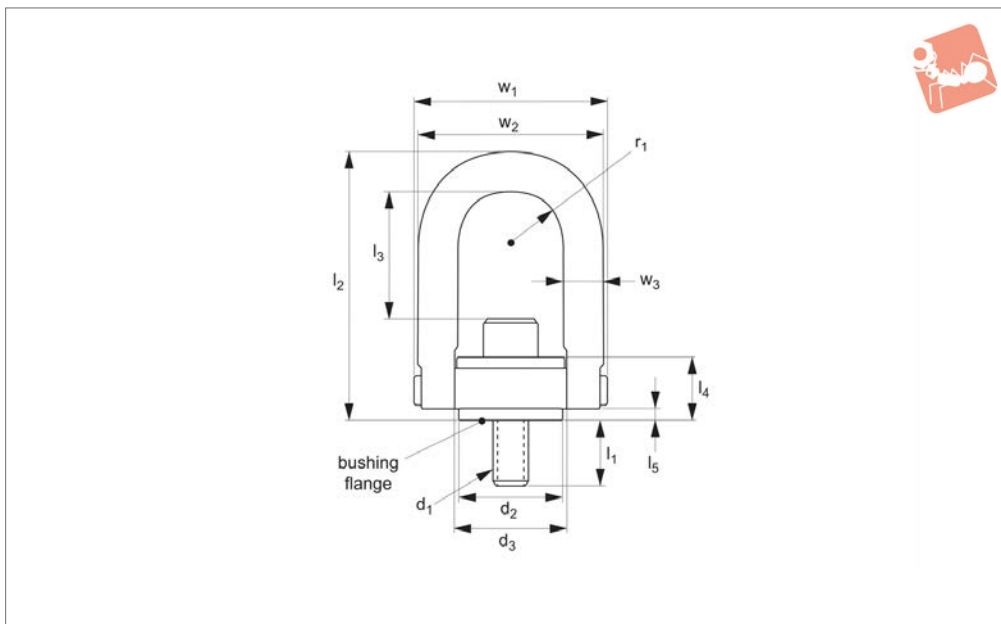
Lifting Points & Shackles

Order No.	l_4	l_5	r_1	w_2	w_3	t_1 ft·lb
63581.W0371I	0.71	0.17	0.43	1.61	3/8	6.0
63581.W0501I	0.93	0.20	0.70	2.40	1/2	14.0
63581.W0502I	1.22	0.16	0.88	3.25	3/4	14.0
63581.W0503I	1.22	0.16	0.88	3.25	3/4	14.0
63581.W0504I	1.22	0.16	0.88	3.25	3/4	14.0
63581.W0631I	1.22	0.16	0.88	3.25	3/4	30.0
63581.W0632I	1.22	0.16	0.88	3.25	3/4	30.0
63581.W0634I	1.22	0.16	0.88	3.25	3/4	30.0
63581.W0751I	1.22	0.16	0.88	3.25	3/4	50.0
63581.W0752I	1.22	0.16	0.88	3.25	3/4	50.0
63581.W0753I	1.71	0.24	1.40	4.80	1	50.0
63581.W0754I	1.71	0.24	1.40	4.80	1	50.0
63581.W0881I	1.71	0.24	1.40	4.80	1	80.0
63581.W1001I	1.71	0.24	1.40	4.80	1	115.0
63581.W1002I	1.71	0.24	1.40	4.80	1	115.0
63581.W1003I	1.71	0.24	1.40	4.80	1	115.0
63581.W1251I	2.11	0.35	1.75	6.00	1-1/4	235.0
63581.W1501I	2.81	0.47	2.25	8.00	1-3/4	400.0
63581.W2001I	2.81	0.47	2.25	8.00	1-3/4	400.0
63581.W2501I	4.09	1.12	3.00	10.50	2-1/4	1050.0
63581.W2502I	4.09	1.12	3.00	10.50	2-1/4	1050.0
63581.W3001I	5.27	1.00	3.75	13.00	2-3/4	2150.0
63581.W3501I	6.06	1.09	4.00	14.50	3-1/4	3300.0

LIFTING POINTS & SHACKLES



63582



Material

Stainless steel, 300 series.

Technical Notes

Min. design safety factor 5:1. 360° swivel and 180° pivot under load.

Each part individually numbered.

tl = recommended torque load (ft - lbs).

Tips

Liquid penetrant tested as ASTM-E1417.

Purification process, clean and passivate as

ASTM-A967.

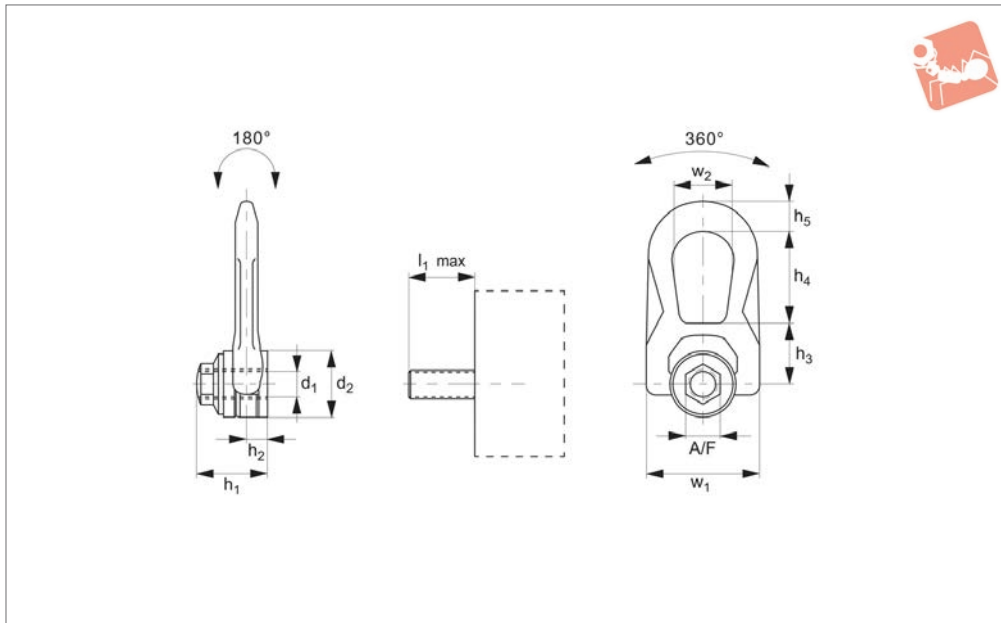
Important Notes

All dimensions in imperial.

Always follow safety instructions.

Order No.	Rated load lb	d ₁ UNC	l ₁	w ₁	d ₂	d ₃	l ₂	Weight lb
63582.W0501I	1250	1/2-13	0.78	3.52	1.50	1.99	6.72	2.75
63582.W0502I	1250	1/2-13	1.03	3.52	1.50	1.99	6.72	2.00
63582.W0503I	1250	1/2-13	1.28	3.52	1.50	1.99	6.72	2.75
63582.W0631I	2000	5/8-11	1.03	3.52	1.50	1.99	4.38	2.87
63582.W0632I	2000	5/8-11	1.28	3.52	1.50	1.99	4.38	2.75
63582.W0751I	2500	3/4-10	1.03	3.52	1.50	1.99	4.38	3.00
63582.W0752I	2500	3/4-10	1.53	3.52	2.37	1.99	4.38	3.00
63582.W0753I	3500	3/4-10	1.04	5.14	2.37	3.00	8.11	7.25
63582.W0754I	3500	3/4-10	1.54	5.14	2.37	3.00	8.11	6.62
63582.W0881I	4000	7/9-9	1.04	5.14	2.37	3.00	8.11	6.75
63582.W1001I	5000	1-8	1.29	5.14	2.37	3.00	8.11	7.00
63582.W1002I	5000	1-8	1.54	5.14	2.37	3.00	8.11	7.00
63582.W1003I	5000	1-8	2.29	5.14	2.37	3.00	8.11	7.00

Order No.	l ₃	l ₄	l ₅	r ₁	w ₂	w ₃	tl ft-lb
63582.W0501I	4.25	1.22	0.16	0.88	3.25	3/4	14
63582.W0502I	4.25	1.22	0.16	0.88	3.25	3/4	14
63582.W0503I	4.25	1.22	0.16	0.88	3.25	3/4	14
63582.W0631I	4.12	1.22	0.16	0.88	3.25	3/4	30
63582.W0632I	4.12	1.22	0.16	0.88	3.25	3/4	30
63582.W0751I	4.00	1.22	0.16	0.88	3.25	3/4	50
63582.W0752I	4.00	1.22	0.16	0.88	3.25	3/4	50
63582.W0753I	4.65	1.71	0.24	1.40	4.80	1	50
63582.W0754I	4.65	1.71	0.24	1.40	4.80	1	50
63582.W0881I	4.52	1.71	0.24	1.40	4.80	1	80
63582.W1001I	4.40	1.71	0.24	1.40	4.80	1	115
63582.W1002I	4.40	1.71	0.24	1.40	4.80	1	115
63582.W1003I	4.40	1.71	0.24	1.40	4.80	1	115



63204

LIFTING POINTS & SHACKLES

Material

High tensile stainless steel (316L), strength class >8.
Supplied with CE certificate.

Technical Notes

Double articulation, very low overhang for improved safety, large support surface. For use in temperatures from -20°C to +200°C. Can be used in lower or higher temperatures, but this affects the load rating - please ask for more information.
Longer or shorter thread lengths can be

supplied but please consult our technical department for this information if required.
Please refer to our technical information pages when specifying and/or using.

Tips

Double articulation allows perfect alignment with the sling.
With „automatic“ position recovery system for best orientation to sling direction.
Tighten by hex. key or spanner.

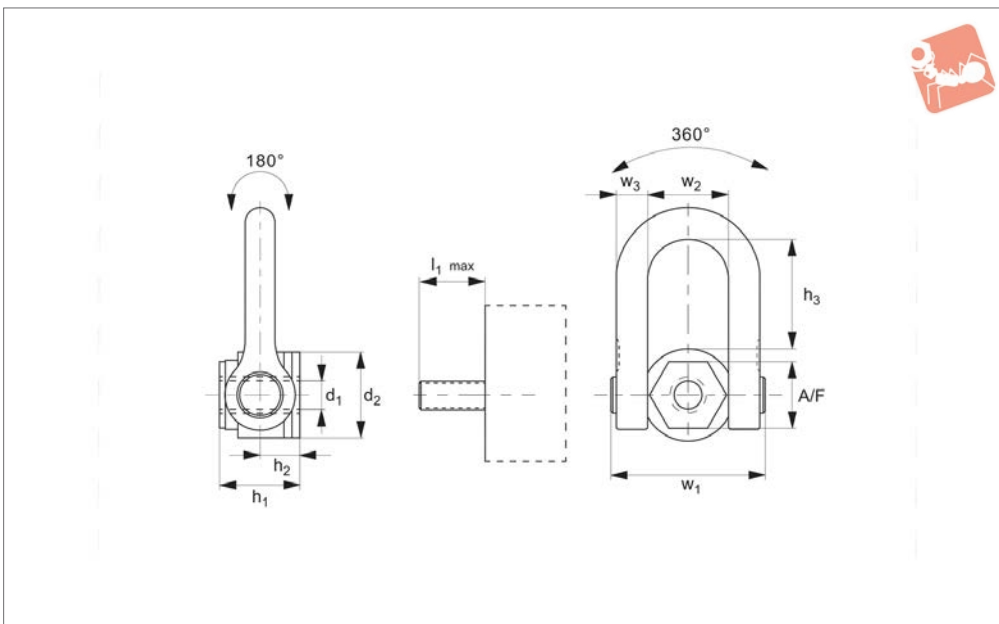
Important Notes

The thread diameter and depth must be appropriate to the material into which it will be installed:
Steel (min. ST37) - 1 x thread dia.
Cast iron - 1.25 x thread dia.
Aluminium - 2 x thread dia.
Other light metals - 2.5 x thread dia.
Tolerance of male thread to be 6G (metric) or UNC-2B (inch).
Please refer to the safety documentation before using this part.
Supplied with certificate and operating

Order No.	Load tonnes (t) max.	d ₁ tol. 6g (tol. 2A)	h ₁ & l _{max.}	w ₁	h ₂	h ₃	h ₄	h ₅	d ₂	w ₂	A/F	Safety factor	Torque to Nm	Weight kg
63204.W0008	0.3	M 8x 1,25	43	76	13	40	53	17	45	38	20	4	6	0.9
63204.W0010	0.5	M10x1,50	43	76	13	40	53	17	45	38	20	4	10	0.9
63204.W0012	0.8	M12x1,75	43	76	13	40	53	17	45	38	20	4	15	0.9
63204.W0014	1.0	M14x2,00	43	76	13	40	53	17	45	38	20	4	30	0.9
63204.W0016	1.5	M16x2,00	43	76	13	40	53	17	45	38	20	4	50	0.9
63204.W0018	1.5	M18x2,50	62	115	19	55	83	25	58	56	24	4	70	2.6
63204.W0020	1.6	M20x2,50	62	115	19	55	83	25	58	56	24	4	100	2.6
63204.W0022	2.2	M22x2,50	62	115	19	55	83	25	58	56	24	4	120	2.6



63214



Material

High tensile stainless steel (316L), strength class >8.
Supplied with CE certificate.

Technical Notes

Double articulation, very low overhang for improved safety, large support surface.
For use in temperatures from -20°C to +200°C. Can be used in lower or higher temperatures, but this affects the load rating - please ask for more information.

Please refer to our technical information pages when specifying and/or using.

Tips

Double articulation allows perfect alignment with the sling.
With „automatic“ position recovery system for best orientation to sling direction.
Tighten by hex. key or spanner.

Important Notes

The thread diameter and depth must be appropriate to the material into which it

will be installed:

- Steel (min. ST37) - 1 x thread dia.
 - Cast iron - 1.25 x thread dia.
 - Aluminium - 2 x thread dia.
 - Other light metals - 2.5 x thread dia.
 - Tolerance of male thread to be 6G (metric) or UNC-2B (inch).
- Please refer to the safety documentation before using this part.**
Supplied with certificate and operating instructions.

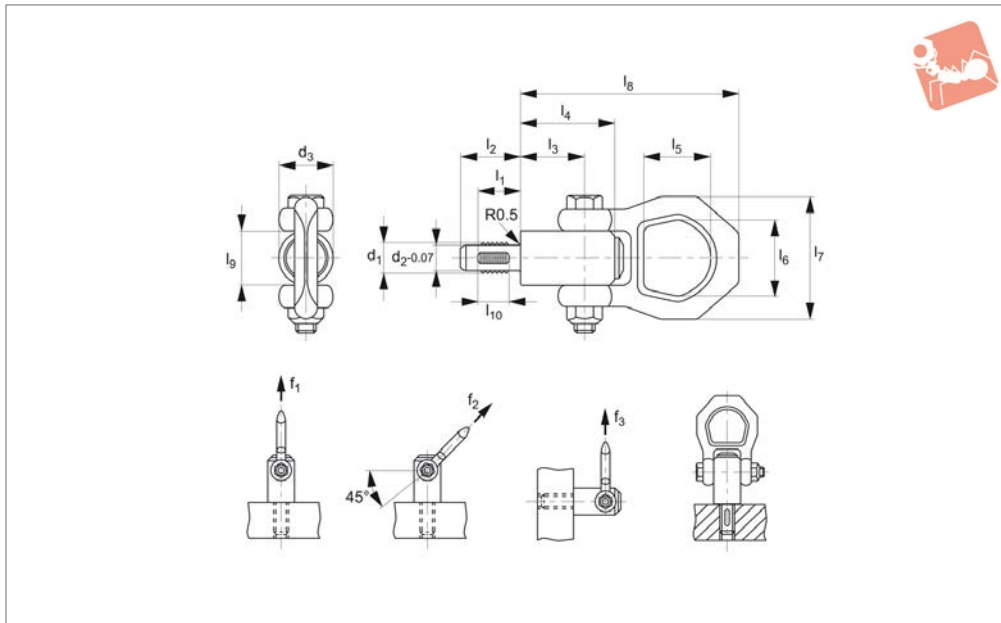
Order No.	Load tons (t) max.	d ₁ 6H (tol. 2A)	h ₁ & l ₁ max.	w ₁	h ₂	h ₃	d ₂	w ₂	w ₃	A/F	Safety factor	Torque to Nm	Weight kg
63214.W0024	2.7	M24x3,0	66	149	31	98	70	73	30	50	4	160	5.8
63214.W0030	3.5	M30x3,5	66	149	31	98	70	73	30	50	4	250	5.8
63214.W0033	3.5	M33x3,5	66	149	31	98	70	73	30	50	4	250	5.8
63214.W0036	5.0	M36x4,0	66	149	31	98	70	73	30	50	4	320	5.8
63214.W0125	(7.500)	(UNC 1 1/4"-7)	66	149	31	98	70	73	30	50	4	200	5.4



Quick Lift Pins - Threaded

metric coarse threads

Lifting Points & Shackles



63001

LIFTING POINTS & SHACKLES

Material

Steel

Pin: Heat-treated steel, tempered, manganese phosphated.
 Threaded element: Stainless steel 1.4542, (AISI 630) precipitation hardened.
 Shackle: Steel, heat-treated, tempered, manganese phosphated.
 Press button: Aluminium, orange anodised.
 Spring: Stainless Steel.

Stainless steel

Pin: Stainless steel 1.4542, (AISI 630)

precipitation hardened.

Threaded element: Stainless steel 1.4542, (AISI 630) precipitation hardened.
 Shackle: Stainless steel 1.45471.
 Press button: Aluminium, orange anodised.
 Spring: Stainless Steel.

Technical Notes

Both types are corrosion protected, stainless steel pin is resistant to corrosion and weathering, so suitable for external use.
 Included: Instruction manual and CE Declaration of Conformity.

Depress button: unlock.
 Release button: lock.

Tips

Before use: Read instruction manual, data sheets and follow standard safe lifting procedures.

Important Notes

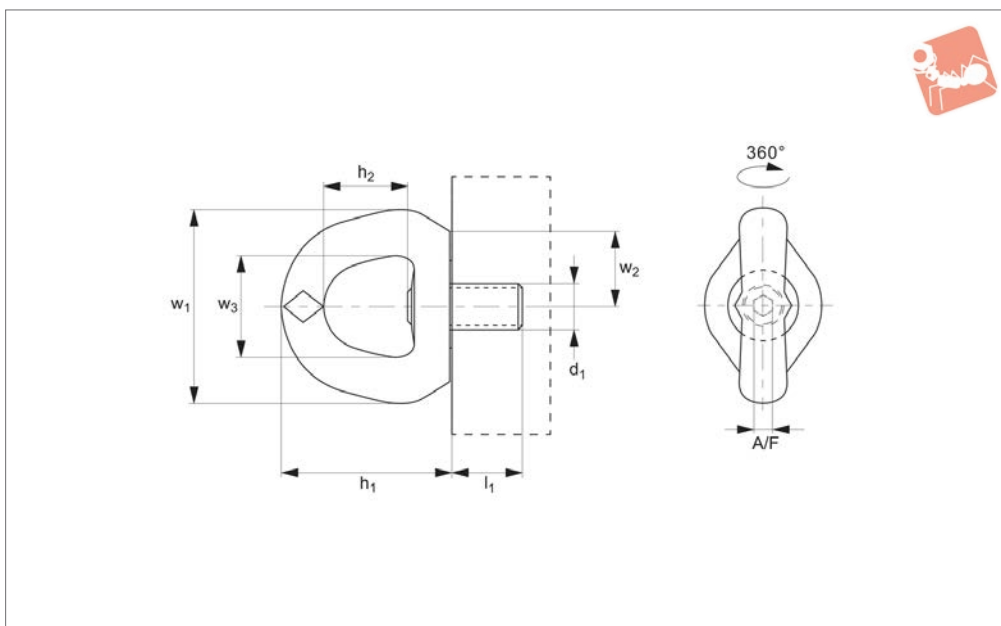
f_1^* , f_2^* , and f_3^* values calculated on 5 x safety factor.

Order No.	Type	d_1	l_1	d_2 -0.07	d_3	l_2	l_3	l_4	l_5	Weight g
63001.W0010	Steel	M10	14	8.35	21.5	20	25.7	36	27	218
63001.W0012	Steel	M12	17	10.07	21.5	24	25.7	36	27	220
63001.W0016	Steel	M16	17	13.80	21.5	24	25.7	36	27	223
63001.W1010	Stainless	M10	14	8.35	21.5	20	25.7	36	27	218
63001.W1012	Stainless	M12	17	10.07	21.5	24	25.7	36	27	220
63001.W1016	Stainless	M16	17	13.80	21.5	24	25.7	36	27	223

Order No.	l_6	l_7	l_8	l_9	l_{10}	F_1 kN	F_2 kN	F_3 kN
63001.W0010	30	49	87.5	21.5	10	3.9	1.5	1.5
63001.W0012	30	49	87.5	21.5	12	6.2	2.5	2.3
63001.W0016	30	49	87.5	21.5	12	8.4	4.5	4.2
63001.W1010	30	49	87.5	21.5	10	3.9	1.5	1.5
63001.W1012	30	49	87.5	21.5	12	6.2	2.5	2.3
63001.W1016	30	49	87.5	21.5	12	8.4	4.5	4.2



63020



Material

High tensile steel, strength class >8.
Supplied with CE certificate.

Technical Notes

Single articulation, 360°, very low overhang for improved safety, large support surface.

Longer or shorter thread lengths can be supplied but please consult our technical department for this information if required.

For use in temperatures from -20°C to +200°C. Can be used in lower or higher

temperatures but, this affects the load rating - please ask for more information.

Please refer to our technical information pages when specifying and/or using.

Tips

Allows swivelling under load.
Swivel eye bolt with „automatic“ position recovery system for best orientation to sling direction.

Important Notes

The thread diameter and depth must be

appropriate to the material into which it will be installed:

Steel (min. ST37) - 1 x thread dia.

Cast iron - 1.25 x thread dia.

Aluminium - 2 x thread dia.

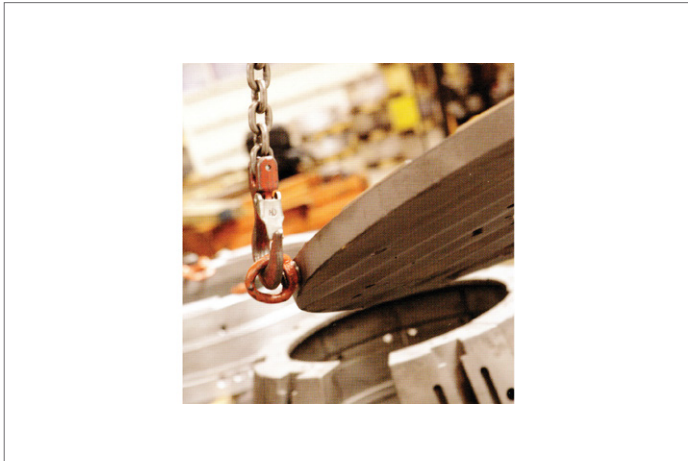
Other light metals - 2.5 x thread dia.

Tolerance of female thread to be 6H (metric).

Please refer to the safety documentation before using this part.

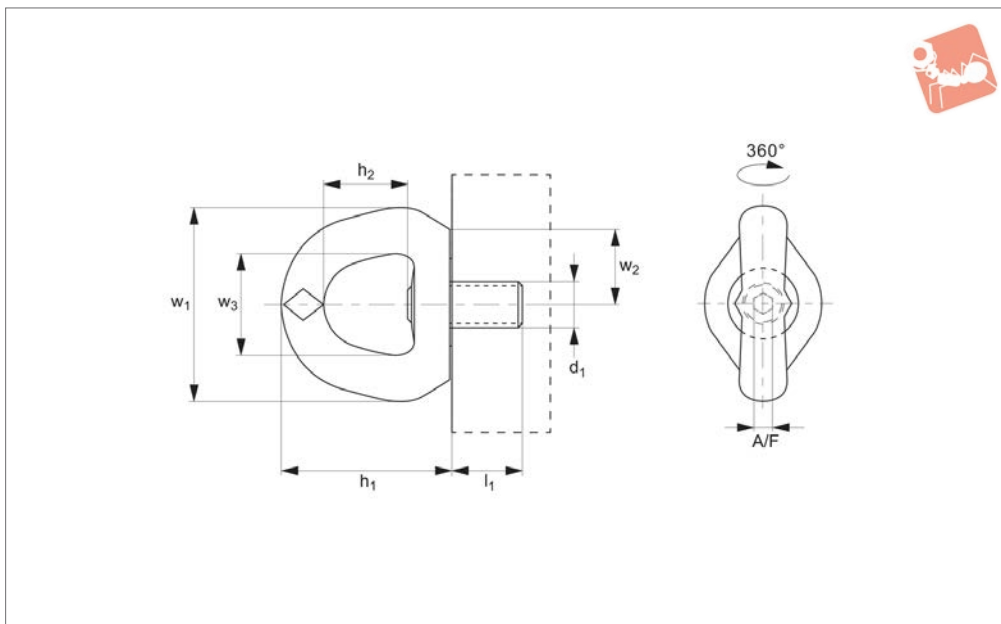
Supplied with certificate and operating instructions.

Order No.	Load tonnes (t) max.	d ₁ tol. 6G	l ₁	h ₁	h ₂	w ₁	w ₂	w ₃	A/F	Safety factor	Torque to Nm	Weight kg
63020.W0008	0.5	M 8x 1,25	14	57	30	60	20	34	6	4	6	0.24
63020.W0010	0.7	M10x1,50	17	57	30	60	20	34	6	4	10	0.24
63020.W0012	0.9	M12x1,75	21	57	30	60	20	34	6	4	15	0.24
63020.W0016	1.8	M16x2,00	27	80	38	88	35	45	8	4	50	0.80
63020.W0020	2.7	M20x2,50	30	80	38	88	35	45	8	4	100	0.80
63020.W0024	4.2	M24x3,00	36	106	58	115	50	70	14	4	160	2.60
63020.W0030	6.3	M30x3,50	45	106	58	115	50	70	14	4	250	2.70
63020.W0036	11.0	M36x4,00	54	155	83	168	70	94	14	4	320	7.00
63020.W0042	15.0	M42x4,50	63	155	83	168	70	94	14	4	400	7.00
63020.W0048	16.0	M48x5,00	68	155	80	168	70	94	19	4	600	7.00





63022



Material

Stainless steel 316L.
Supplied with CE certificate.

Technical Notes

Single articulation, 360°, very low overhang for improved safety, large support surface.
Longer or shorter thread lengths can be supplied but please consult our technical department for this information if required.
For use in temperatures from -20°C to +200°C. Can be used in lower or higher

temperatures but, this affects the load rating - please ask for more information.
Please refer to our technical information pages when specifying and/or using.

Tips

Allows swivelling under load.
Swivel eye bolt with „automatic“ position recovery system for best orientation to sling direction.

Important Notes

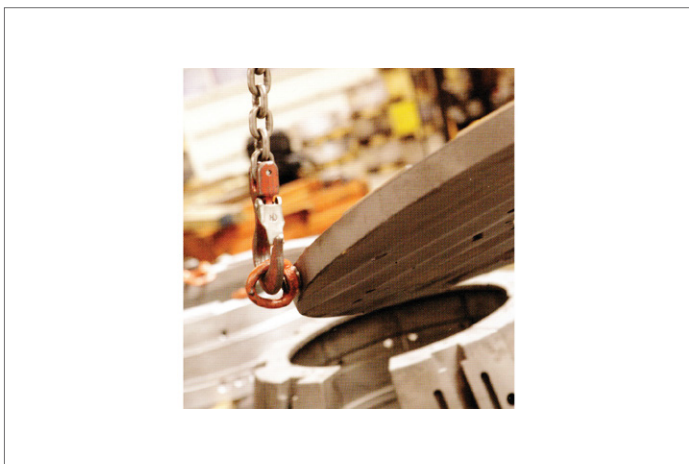
The thread diameter and depth must be

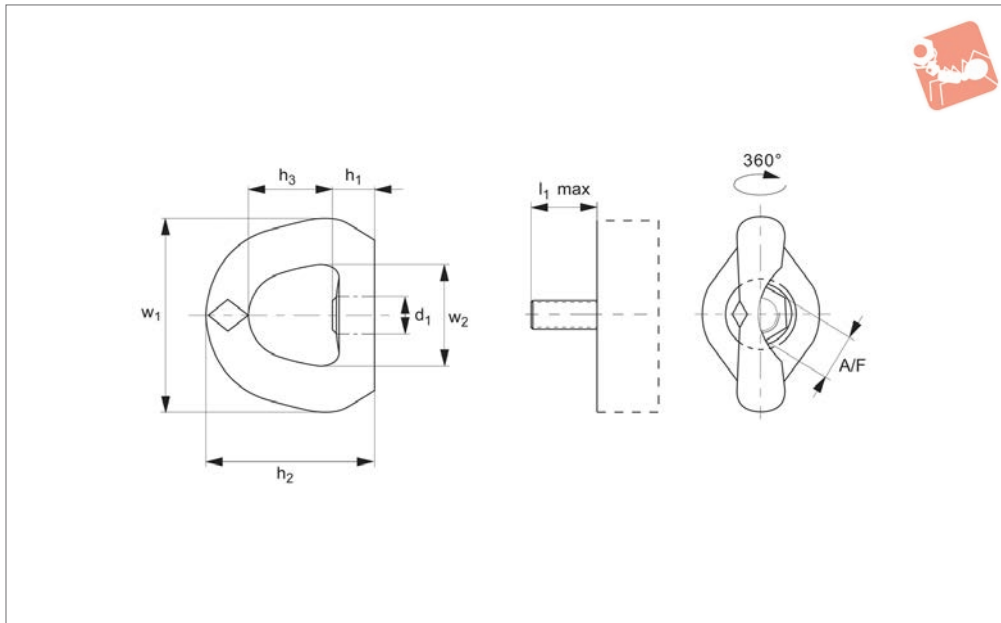
appropriate to the material into which it will be installed:

- Steel (min. ST37) - 1 x thread dia.
 - Cast iron - 1.25 x thread dia.
 - Aluminium - 2 x thread dia.
 - Other light metals - 2.5 x thread dia.
- Tolerance of female thread to be 6H (metric).

Please refer to the safety documentation before using this part.
Supplied with certificate and operating instructions.

Order No.	Load tonnes (t) max.	d ₁ tol. 6G	l ₁	h ₁	h ₂	w ₁	w ₂	w ₃	A/F	Safety factor	Torque to Nm	Weight kg
63022.W0012	0.55	M12x1,75	21	80	38	90	20	45	8	4	15	0.80
63022.W0016	1.20	M16x2,00	27	80	38	90	35	45	8	4	50	0.82





63024

Material

High tensile steel, strength class >8.
Supplied with CE certificate.

Technical Notes

Single articulation, very low overhang for improved safety, large support surface.
For use in temperatures from -20°C to +200°C. Can be used in lower or higher temperatures, but this affects the load rating - please ask

for more information.

Please refer to our technical information pages when specifying and/or using.

Tips

Allows swivelling under load.
Swivel eye bolt with „automatic“ position recovery system for best orientation to sling direction.
Permits the hook to move parallel to the supporting face of the ring when being

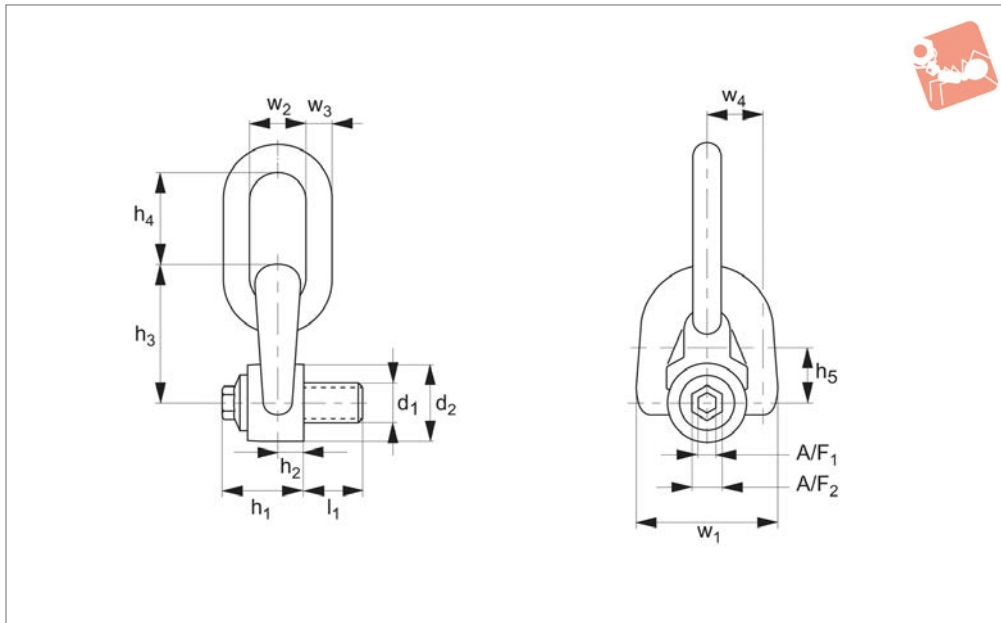
pulled at 90° angle.

Important Notes

Tolerance of male thread to be 6g (metric).
Please refer to the safety documentation before using this part.
Supplied with certificate and operating instructions.

Order No.	Load tonnes (t) max.	d ₁ 6H	h ₁ & l _{max}	h ₂	h ₃	w ₁	w ₂	A/F	Safety factor	Torque to Nm	Weight kg
63024.W0008	0.5	M 8x 1,25	22	80	38	88	45	21	4	6	0.8
63024.W0010	0.7	M10x1,50	22	80	38	88	45	21	4	10	0.8
63024.W0012	0.9	M12x1,75	22	80	38	88	45	21	4	15	0.8
63024.W0016	1.8	M16x2,00	22	80	38	88	45	21	4	50	0.8
63024.W0020	2.7	M20x2,50	35	106	55	115	70	36	4	100	2.5
63024.W0024	4.2	M24x3,00	48	155	77	168	94	40	4	160	6.3
63024.W0030	6.3	M30x3,50	48	155	77	168	94	40	4	250	6.3
63024.W0036	11.0	M36x4,00	48	155	77	168	94	40	4	320	6.3





63150

Material

High tensile steel, strength class >8.
Supplied with CE certificate.

Technical Notes

Three articulations.
Very low overhang for improved safety.
For use in temperatures from -20°C to +200°C. Can be used in lower or higher temperatures, but this affects the load rating - please ask for more information.
Longer or shorter thread lengths can be

supplied but please consult our technical department for this information if required.

Please refer to our technical information pages when specifying and/or using.

Tips

Tighten by hex. key or spanner.

Important Notes

The thread diameter and depth must be appropriate to the material into which it will be installed:

Steel (min. ST37) - 1 x thread dia.

Cast iron - 1.25 x thread dia.

Aluminium - 2 x thread dia.

Other light metals - 2.5 x thread dia.

Tolerance of female thread to be 6H (metric) or UNC-2B (inch).

Please refer to the safety documentation before using this part.

Supplied with certificate and operating instructions..

Order No.	Load tons (t) max.	d ₁ tol. 6g (tol. 2A)	l ₁	h ₁	w ₁	d ₂	h ₂	h ₃	h ₄	h ₅ & w ₄	w ₂	w ₃	A/F ₁	A/F ₂	Safety factor	Torque to Nm (ft·lb)	Weight kg
63150.W0008	0,40	M 8x 1,25	14	33	58	30	9,5	56	41	18	25	10	8	16	5	6	0,4
63150.W0010	0,70	M10x1,50	17	33	58	30	9,5	56	41	18	25	10	8	16	5	10	0,4
63150.W0012	1,05	M12x1,75	21	33	58	30	9,5	56	41	18	25	10	8	16	5	15	0,4
63150.W0014	1,40	M14x2,00	23	45	79	45	13,0	81	56	24	37	14	8	20	5	30	1,1
63150.W0016	2,00	M16x2,00	27	45	79	45	13,0	81	56	24	37	14	8	20	5	50	1,2
63150.W0018	2,30	M18x2,50	27	45	79	45	13,0	81	56	24	37	14	8	20	5	70	1,2
63150.W0020	2,50	M20x2,50	30	45	79	45	13,0	81	56	24	37	14	8	20	5	100	1,2
63150.W0022	3,00	M22x2,50	33	62	106	60	19,0	105	80	45	45	20	14	24	5	120	2,8
63150.W0024	4,00	M24x3,00	36	62	106	60	19,0	105	80	45	45	20	14	24	5	160	2,9
63150.W0027	5,00	M27x3,00	36	62	106	60	19,0	105	80	45	45	20	14	24	5	200	2,9
63150.W0030	6,30	M30x3,50	45	62	106	60	19,0	105	80	45	45	20	14	24	5	250	3,0
63150.W0036	10,00	M36x4,00	54	81	148	80	26,5	140	111	54	71	30	19	30	5	320	7,6
63150.W0042	12,50	M42x4,50	63	84	148	80	26,5	146	111	58	71	30	19	30	5	400	7,8
63150.W0048	20,00	M48x5,00	68	100	180	110	33,0	178	135	69	90	42	19	30	4	600	17,5
63150.W0056	22,00	M56x5,50	78	104	190	110	33,0	184	135	73	90	42	19	30	4	600	18,0
63150.W0231	(1,000)	(UNC 5/16"-18)	15	33	58	30	9,5	56	41	18	25	10	8	16	5	(7)	0,4
63150.W0250	(2,400)	(UNC 1/2"-13)	21	33	58	30	9,5	56	41	18	25	10	8	16	5	(12)	0,4
63150.W0275	(5,250)	(UNC 3/4"-10)	30	45	79	45	13,0	81	56	24	37	14	8	20	5	(80)	1,2
63150.W0300	(10,000)	(UNC 1"-8)	36	62	106	60	19,0	84	80	41	45	20	14	24	5	(125)	2,8
63150.W0350	(20,000)	(UNC 1 1/2"-6)	61	84	148	80	26,5	146	111	54	71	30	19	30	5	(240)	7,7

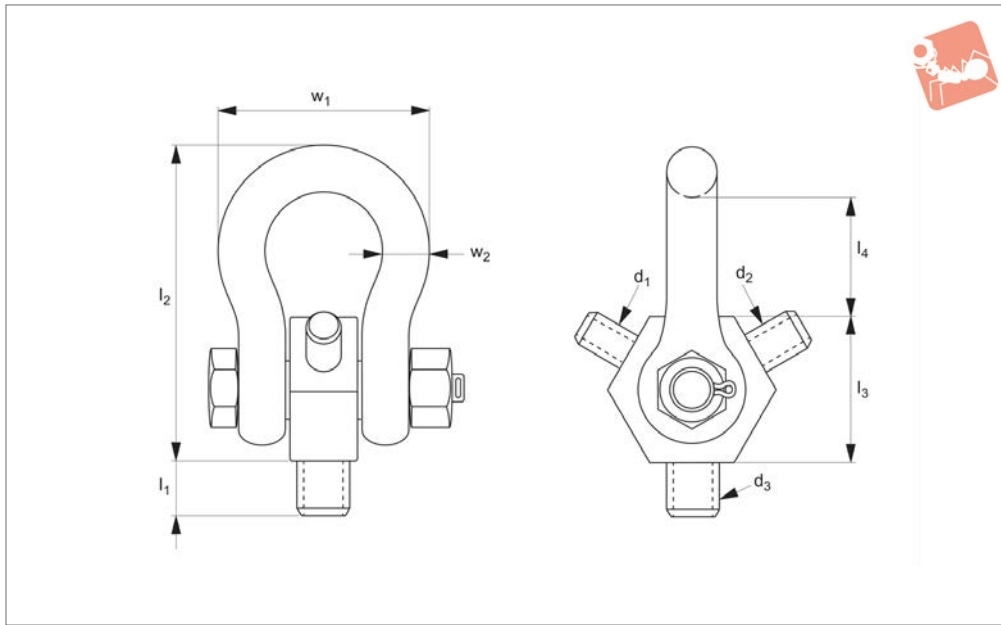




Lifting Shackle - Tri-Thread - Male

metric - coarse

Lifting Points & Shackles



63651

LIFTING POINTS & SHACKLES

Material

Forged alloy steel.

one - vertical lifting only.

Always follow safety instructions.

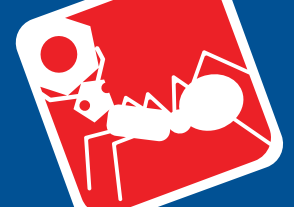
Technical Notes

Flexible lifting ring with three threads in

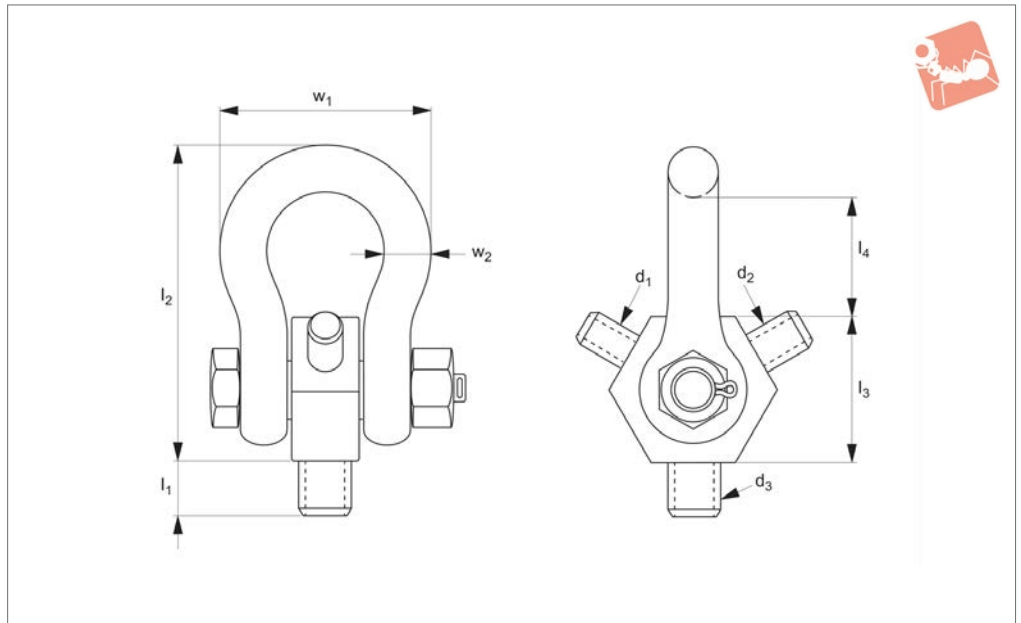
Important Notes

For straight/vertical lifting only - do not apply side load.

Order No.	Thread	Thread size	Load capacity tonnes (t)	l ₁	l ₂	l ₃	l ₄	w ₁	w ₂	Weight kg
63651.W0812I	d1	M 8x1,25	0,40	13	77,80	34,93	31,8	53,98	11,11	0,36
	d2	M10x1,50	0,45	13	77,80	34,93	31,8	53,98	11,11	0,36
	d3	M12x1,75	1,05	13	77,80	34,93	31,8	53,98	11,11	0,36
63651.W1420I	d1	M14x2,00	1,05	19	111,13	50,80	44,5	76,20	15,90	1,13
	d2	M16x2,00	1,90	19	111,13	50,80	44,5	76,20	15,90	1,13
	d3	M20x2,50	2,20	19	111,13	50,80	44,5	76,20	15,90	1,13



63652



Material

Forged alloy steel.

Technical Notes

Flexible lifting ring with three threads in

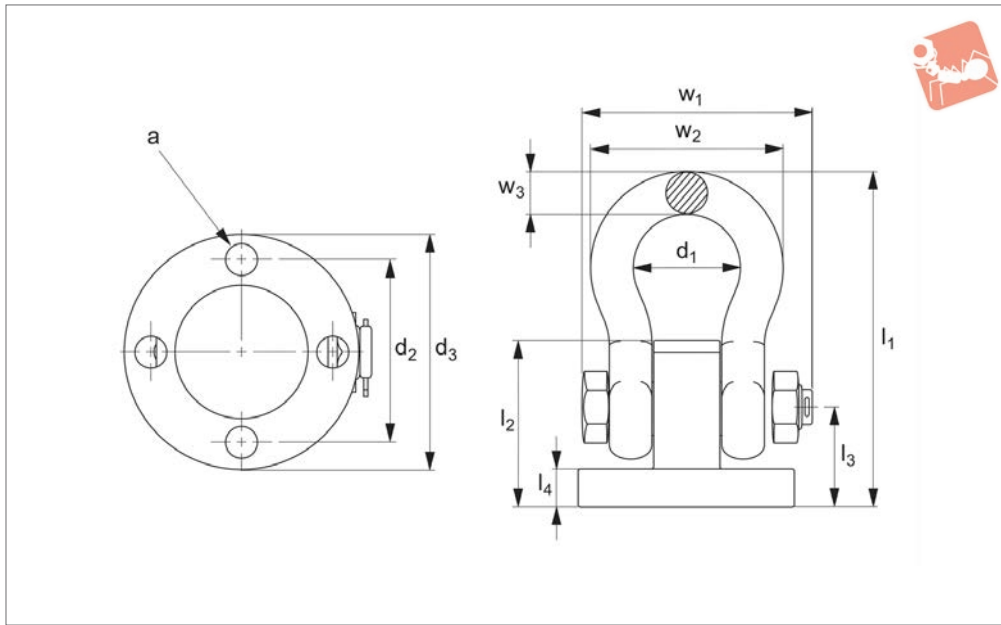
one - vertical lifting only.

Always follow safety instructions.

Important Notes

For straight/vertical lifting only - do not apply side load.

Order No.	Thread	Type	Load capacity lb	Screw size UNC	l_1	l_2	l_3	l_4	w_1	w_2	Weight kg
63652.W2537I	d_1	Standard	400	1/4-20	1/2	3-1/16	1-3/8	1-1/4	2-1/8	7/16	0,8
	d_2	Standard	800	5/16-18	1/2	3-1/16	1-3/8	1-1/4	2-1/8	7/16	0,8
	d_3	Standard	1400	3/8-16	1/2	3-1/16	1-3/8	1-1/4	2-1/8	7/16	0,8
63652.W5075I	d_1	Standard	2600	1/2-13	3/4	4-3/8	2	1-3/4	3	5/8	2,5
	d_2	Standard	4000	5/8-11	3/4	4-3/8	2	1-3/4	3	5/8	2,5
	d_3	Standard	6000	3/4-10	3/4	4-3/8	2	1-3/4	3	5/8	2,5
63652.W2537F	d_1	Fine	400	1/4-28	1/2	3-1/16	1-3/8	1-1/4	2-1/8	7/16	0,8
	d_2	Fine	800	5/16-24	1/2	3-1/16	1-3/8	1-1/4	2-1/8	7/16	0,8
	d_3	Fine	1400	3/8-24	1/2	3-1/16	1-3/8	1-1/4	2-1/8	7/16	0,8
63652.W5075F	d_1	Fine	2600	1/2-20	3/4	4-3/8	2	1-3/4	3	5/8	2,5
	d_2	Fine	4000	5/8-18	3/4	4-3/8	2	1-3/4	3	5/8	2,5
	d_3	Fine	6000	3/4-16	3/4	4-3/8	2	1-3/4	3	5/8	2,5



63750

LIFTING POINTS & SHACKLES

Material

Alloy steel, black oxide coated.

Technical Notes

Magnetic particle inspected as per ASTM 1444.

Tips

Min design factor 5:1. 360° swivel and 180° pivot under load. Particularly suited for lifting of large and heavy structures. Can be bolted or welded in place.

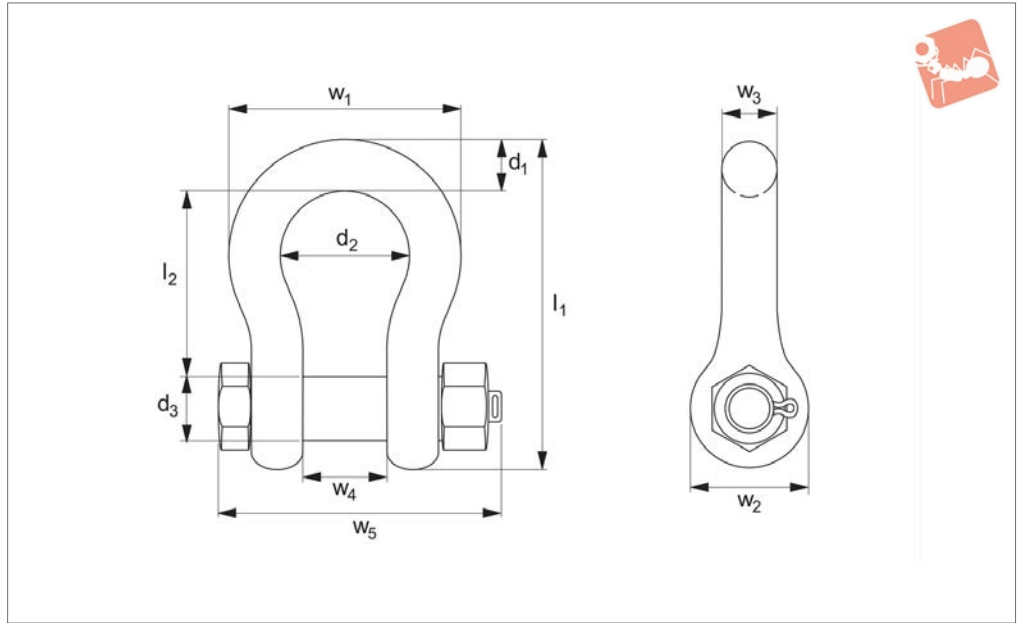
Important Notes

All dimensions in imperial.

Order No.	Working load lb	a for screw size	d ₁	d ₂	d ₃	l ₁	l ₂	l ₃	l ₄	w ₁	w ₂	w ₃
63750.W0251I	2000	1/4-20x1/2	1.03	1.56	2.1	2.96	1.43	0.91	0.40	2.17	1.78	0.38
63750.W0311I	3000	5/16-18x1/2	1.16	1.76	2.4	3.55	1.76	1.16	0.52	2.51	2.03	0.44
63750.W0371I	4000	3/8-16x5/8	1.31	2.10	2.9	3.91	1.91	1.21	0.52	2.80	2.31	0.50
63750.W0431I	6500	7/16-14x3/4	1.69	2.56	3.5	4.97	2.41	1.51	0.64	3.53	2.94	0.69
63750.W0631I	13000	5/8-11x1	2.28	3.40	4.6	6.85	3.31	2.06	0.90	4.71	4.03	0.97
63750.W0751I	19000	3/4-10x1 1/4	2.91	4.00	5.4	8.75	4.01	2.61	1.14	5.09	5.16	1.25
63750.W0881I	24000	7/8-9x2	3.25	4.50	6.1	9.68	4.51	2.91	1.30	6.51	5.75	1.38



63752



Material

Forged alloy steel, black oxide coated.

Technical Notes

Supplied with thin head bolt, nut and

cotter pin.

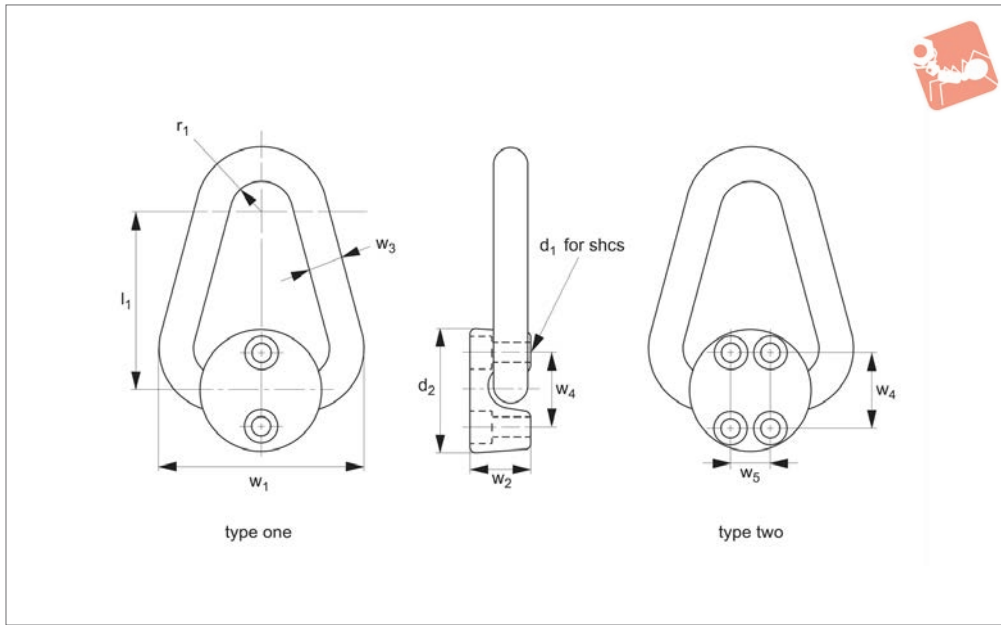
Tips

Min. design safety factor 6:1.

Important Notes

All dimensions in imperial.

Order No.	Working load lb	d ₁	d ₂	d ₃	l ₁	l ₂	w ₁	w ₂	w ₃	w ₄	w ₅
63752.W0371I	2000	3/8	1.03	0.44	2.49	1.44	1.78	0.91	0.38	0.66	2.17
63752.W0431I	3000	7/16	1.16	0.50	2.91	1.69	2.03	1.06	0.44	0.75	2.51
63752.W0501I	4000	1/2	1.31	0.63	3.28	1.88	2.31	1.19	0.50	0.81	2.80
63752.W0631I	6500	5/8	1.69	0.75	4.19	2.38	2.94	1.50	0.63	1.06	3.53
63752.W0881I	13000	7/8	2.28	1.00	5.83	3.31	4.03	2.09	0.88	1.44	4.71
63752.W1141I	19000	1-1/8	2.91	1.25	7.47	4.25	5.16	2.69	1.13	1.81	6.00
63752.W1251I	24000	1-1/4	3.25	1.38	8.25	4.69	5.75	3.00	1.25	2.03	6.51



63621

LIFTING POINTS & SHACKLES

Material

Forged chrome moly steel, heat treated and black oxide coated.

Tips

Min. design safety factor 6:1. 180° pivot under load.

Always follow safety instructions.

Technical Notes

Magnaflux tested for ASTM 1444.

Important Notes

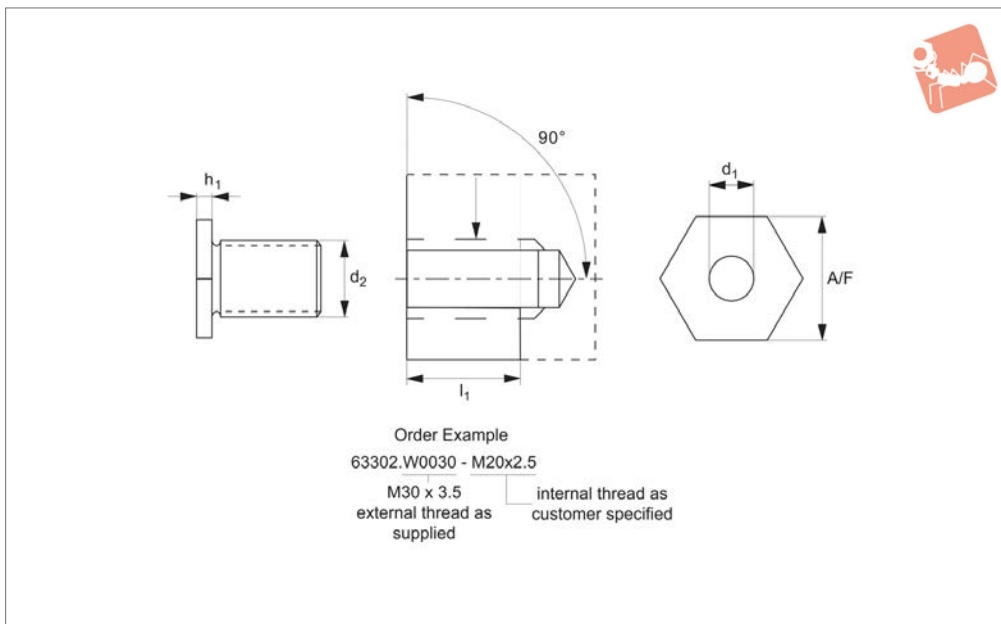
All dimensions in imperial.

Order No.	Type	Rated load lb	d ₁	r ₁	l ₁	d ₂	w ₁	Weight lb
63621.W0311I	One	2000	5/16 (x2)	1/2	2	1-3/4	2-1/2	0.58
63621.W0371I	One	2500	3/8 (x2)	5/8	2-1/2	2-1/4	3-3/16	1.07
63621.W0501I	One	5000	1/2 (x2)	3/4	3	2-5/8	3-7/8	2.06
63621.W0502I	Two	12000	1/2 (x4)	7/8	4	3-1/8	5-1/4	4.10
63621.W0631I	Two	20000	5/8 (x4)	1	5	3-5/8	6-3/16	7.94

Order No.	w ₂	w ₃	w ₄	w ₅	tl ft·lb	Screw thread	Screw length
63621.W0311I	3/4	5/16	1	0	4-7	5/16-18	1-1/4
63621.W0371I	7/8	3/8	1-1/8	0	7-10	3/8-16	1-1/4
63621.W0501I	1-1/8	1/2	1-1/2	0	20-25	1/2-13	2
63621.W0502I	1-3/8	3/4	1-5/8	1-1/4	20-25	1/2-13	2-1/4
63621.W0631I	1-7/8	1	2-1/16	1-1/4	42-50	5/8-11	2-3/4



63302



Material

High tensile steel, strength class >8.

Technical Notes

The internal portion of the adaptor can be machined (by us) to suit the required lifting bolt thread. Allowing differing sized

lifting bolts to be used.

XX - Advise the internal thread size and

pitch required e.g.

63020.W0030 - M20x2,5.

Female thread tolerances required to be 6H

(metric) or UNC-2B (inch).

Tips

Not suitable/rated for customers to machine internal threads themselves.

Only to be used with lifting bolts 63020 to 63150.

Order No.	d ₂ tol. 6g (tol. 2A)	d ₁ mm max.	d ₁ inch max.	l ₁	h ₁	A/F	Torque to Nm (ft-lb)
63302.W0024-xx	M24 x 3,0	18	5/8"	36	10	50	160
63302.W0030-xx	M30 x 3,5	20	7/8"	45	10	50	250
63302.W0036-xx	M36 x 4,0	27	1"	54	10	65	320
63302.W0040-xx	M42 x 4,5	33	1" 1/4	63	10	75	400
63302.W0048-xx	M48 x 5,0	39	1" 1/2	68	10	75	600
63302.W0056-xx	M56 x 5,5	42	1" 3/4	78	10	95	600
63302.W0064-xx	M64 x 6,0	52	2"	90	10	95	600
63302.W0100-xx	M100 x 6,0	80	3" 1/2	100	15	155	600
63302.W5088-xx	UNC 7/8"-9	16	5/8"	33	10	50	(100)
63302.W5100-xx	UNC 1"-8	18	3/4"	36	10	50	(125)
63302.W5125-xx	UNC 1"1/4-7	24	7/8"	45	10	50	(200)
63302.W5138-xx	UNC 1"3/8-6	27	1"	54	10	65	(300)
63302.W5150-xx	UNC 1"1/2-6	30	1" 1/8	61	10	75	(300)
63302.W5200-xx	UNC 2"-4 1/2	39	1" 1/2	76	10	95	(450)
63302.W5275-xx	UNC 2"3/4-4	56	2" 1/4	105	10	155	(600)
63302.W5400-xx	UNC 4"-4	80	3" 1/4	150	15	155	(800)